



SNOWJOE®

EN

ELECTRIC SNOW THROWER

21-INCH | 15-AMP | LED LIGHT

OPERATOR'S MANUAL

A Division of Snow Joe®, LLC

Model SJ625E

Form No. SJ-SJ625E-880E-MR8


IMPORTANT! Safety Instructions

All Operators Must Read These Instructions Before Use

Any electrical appliance can be dangerous if used incorrectly. Some of the safety precautions given in this manual apply generally to many appliances. Other warnings are specific to the use of this snow thrower. Keep this manual for future reference.

General Safety WARNINGS!

You and any other operator of this snow thrower must read, understand and follow these instructions in their entirety, and should reread them at the start of each snow season. Failure to follow these instructions may result in ELECTRIC SHOCK, FIRE and/or serious PERSONAL INJURY.

Notice the personal safety alert symbol  used in this manual to draw your attention to a WARNING given along with the particular operating instruction. This means that the operation requires special ATTENTION, CAUTION and AWARENESS.

- 1. Keep work area clean and well lit.** Cluttered, dark areas invite accidents.
- 2. Do not operate the snow thrower in an explosive atmosphere,** such as in the presence of flammable liquids, gases or dust. Electrical appliances create sparks that may ignite the dust or fumes.
- 3. Keep children, pets and bystanders away from the work area.** Be aware that the normal noise of the machine when turned on may make it difficult for you to hear approaching people. Spectators should wear safety glasses and be kept a safe distance away from the work area. Do not let spectators touch the snow thrower or the extension cord.
- 4. Electrical plugs must match the outlet.** Never modify the plug in any way. Do not use any adapter plugs with grounded appliances. Unmodified plugs and matching outlets will reduce the risk of electric shock.
- 5. Avoid body contact with earthed or grounded surfaces** (i.e. upper and lower water pipes, radiators, ranges, refrigerators, microwave ovens and outer frames of heating equipment). Take necessary precautions to avoid electric shock. There is an increased risk of electric shock if your body is earthed or grounded.
- 6. Do not abuse the cord.** Keep the cord away from heat, oil, sharp edges or moving parts. Never carry the snow thrower by its cord or yank the cord to disconnect it from the electrical outlet. Damaged or entangled cords increase the risk of electric shock.
- 7. Replace or properly repair damaged cords.** If the cord becomes damaged in any manner while plugged into the wall receptacle, immediately pull the extension cord plug from the receptacle.
- 8. Contact with water while operating the snow thrower can result in electric shock and serious bodily injury.** Do not use the snow thrower in damp or wet locations or expose to rain. Do not handle the plug or the appliance with wet hands or while standing in water.
- 9. ⚠️WARNING – Use outdoor extension cords marked SW-A, SOW-A, STW-A, STOW-A, SJW-A, SJTW-A or SJTOWA.** These cords are rated for outdoor use and reduce the risk of electric shock.
- 10. Turn off the power switch and disconnect the power cable before making any adjustments to the unit and before inspecting, servicing, changing accessories or cleaning the snow thrower. Follow the same procedure if any other dangerous conditions are present during operation.** Any adjustments to the unit should be performed after revolving parts inside the snow thrower stop completely. Such preventative safety measures reduce the risk of starting the power tool accidentally.
- 11. If you find the main power cable or the extension cable damaged, please pull out the plug from the socket and disconnect the power immediately.** Repair the cable or replace it if necessary.
- 12. When replacing any parts, you must strictly observe the instructions and procedures described in this operator's manual.** Special care should be paid to any rubber parts, since these parts may increase the engine load and decrease its mechanical power if damaged.
- 13. Do not move or transport the snow thrower when the plug is connected to the power socket and the switch is turned on.**
- 14. If, during use, you notice that the unit runs unstably or hear abnormal sounds from the engine, stop the machine, disconnect the power immediately and contact an authorized Snow Joe® + Sun Joe® service center.**

Electrical Safety

1. Ground fault circuit interrupter (GFCI) protection should be provided on the circuit(s) or outlet(s) to be used for the snow thrower. Receptacles are available having built-in GFCI protection and may be used for this measure of safety.
2. To prevent electric shock, use only with an extension cord suitable for outdoor use, such as SW-A, SOW-A, STW-A, STOW-A, SJW-A, SJOW-A, SJTW-A, or SJTOW-A.

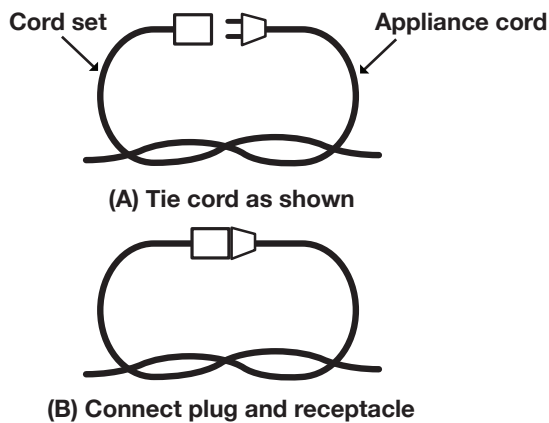
Before use, check that the extension cord is in good condition. When using an extension cord, make sure to use one heavy enough to carry the current your product will draw. An undersized cord will cause a drop in line voltage resulting in loss of power and overheating.

3. To reduce the risk of electric shock, this appliance has a polarized plug (i.e. one blade is wider than the other). Use this appliance only with a polarized UL-, CSA- or ETL-rated extension cord for outdoor, all-weather use. The appliance plug will fit into a polarized extension cord only one way.

If the appliance plug does not fit fully into the extension cord, reverse the plug. If the plug still does not fit, obtain a correct polarized extension cord. A polarized extension cord will require the use of a polarized wall outlet. The extension cord plug will fit into the polarized wall outlet only one way. If the plug does not fit fully into the wall outlet, reverse the plug. If the plug still does not fit, contact a qualified electrician to install the proper wall outlet. Do not modify the appliance plug, extension cord receptacle or extension cord plug in any way.

4. To prevent the appliance cord from disconnecting from the extension cord during operation, make a knot with the two cords as shown in Table 1.

Table 1. Method of Securing Extension Cord



5. Do not abuse the cord. Never pull the snow thrower by the cord or yank the cord to disconnect it from the receptacle. Keep the cord away from heat, oil, and sharp edges.

Personal Safety

1. **Stay alert** – Watch what you are doing and use common sense when operating the snow thrower. Do not use the machine when tired, ill or under the influence of drugs, alcohol or medication. A moment of inattention may result in serious personal injury.
2. **Wear proper clothing** – Wearing rubber boots offers additional protection from electric shock. Do not wear loose clothing or jewelry that may become caught in the machine. Wear protective headgear to keep hair away from revolving parts of the machine. Safety glasses offer better protection than everyday eyeglasses.
3. **Moving parts present risks** – Keep your face, hair, clothing, hands and feet away from moving parts. All guards and safety attachments must be installed properly before using the unit. Shut off and disconnect the cord before touching any parts other than the handles and the switch.
4. **Surfaces** – This snow thrower is intended for use on paved surfaces. Do not use on gravel, stone or other unpaved surfaces unless the snow thrower is adjusted for such surfaces according to the instructions given in this operator's manual.
5. **Avoid accidental starting** – Make sure the switch is in the off position before plugging in the unit. Do not carry the snow thrower with your finger on the switch.
6. **Body position** – Maintain proper footing and balance at all times. Place heels firmly on the ground and tightly grasp the handle bar. Watch for uneven surfaces and do not overreach. In case you fall or collide with the snow thrower, inspect the unit for any damages or cracks. When stepping backwards, be careful to avoid obstacles beneath your feet or behind you to avoid falling.

⚠ **WARNING** ⚠

Electric shock may cause SEVERE INJURY or DEATH. Heed these warnings:

- Do not allow any part of the snow thrower to make contact with water while it is in operation. If the appliance becomes wet while turned off, wipe dry before starting.
- Use only a UL-, CSA-, or ETL-rated extension cord for outdoor, all-weather use, such as the Snow Joe®+ Sun Joe® SJTW-A 14-gauge 50-foot extension cord with lighted end (Model PJEXT50-B). Visit snowjoe.com to purchase this extension cord online or, to order by phone, call 1-866-SNOWJOE (1-866-766-9563).
- Do not use an extension cord over 100 ft (30 m).
- Do not touch the appliance or its plug with wet hands or while standing in water. Wearing rubber boots offers some protection.

EXTENSION CORD CHART

Extension Cord Length	Up to 50 ft (15 m)	+50 ft - 100 ft (+15 m - 30 m)
Wire Gauge (A.W.G.):	14	12

- 7. **If the snow thrower strikes any object, immediately stop the snow thrower, then inspect for damage –** Repair any damage before restarting and operating the snow thrower.

















Safety Instructions for Walk-Behind Snow Throwers

- **Read the operator's manual carefully** – Learn your snow thrower's applications and limitations as well as the specific potential hazards related to this machine. Do not use this machine for any purpose other than the one for which it was designed. Otherwise, it may cause mechanical defects, serious damage or personal injury.
- **Preliminary unit inspection** – Thoroughly inspect the unit before use. Make sure all the parts are secure and installed correctly. If you notice any abnormalities, do not use the machine until it has been properly repaired. Always perform a test run the first time you use the snow thrower or after replacing parts to ensure that the unit is functioning properly.
- **Preliminary area inspection** – Clear the area to be plowed before each use. Remove all objects, such as rocks, broken glass, nails, wire or string, which can be thrown by or become entangled in the snow thrower. Keep the area of operation clear of all spectators, particularly children and pets.
- **Excessive force** – The snow thrower was designed to respond at a certain rate for various snow conditions for optimum safety and performance. Do not force it; keep pressure constant.
- **Malfunctioning switch** – Do not use the snow thrower if the switch does not turn it on and off. Any electrical appliance that cannot be controlled by the switch is not safe to use and must be repaired.
- **Hitting an object** – If the snow thrower accidentally strikes an object, follow these steps:
 - Stop the snow thrower and unplug the unit
 - Inspect for damage
 - Repair or replace any damaged part before restarting and operating the snow thrower.
- **Discharge chute safety** – Never direct the snow discharge chute at the operator, at bystanders, at vehicles or at windows. The discharged snow stream and foreign objects accidentally picked up by the snow thrower can cause serious damage and personal injury. Do not use your hands to unclog the discharge chute. Stop the motor before removing debris.
- **Hand-held operating position** – Operation of the snow thrower in the hand-held position is unsafe.
- **Abnormal operation** – If you notice the snow thrower running in an unstable state or hear abnormal sounds from the engine, immediately stop the machine, disconnect the power and contact an authorized Snow Joe® + Sun Joe® service center.
- **Noise control** – When using the snow thrower, you must respect local laws and regulations regarding noise control and environmental protection. To avoid noise disturbance, you should carefully decide upon an appropriate operation time and consider the surrounding conditions.
- **When work is completed** – Disconnect the snow thrower from the power source when not in use, when changing accessories and before performing any maintenance function.
- **Store safely** – Store the snow thrower indoors in a dry area between uses. Keep it in a locked area, where children and unauthorized users cannot gain access. Do not store the machine while it is still connected to the power source as this may result in damage and injury.
- **Maintain for safety and longevity** – Check for misalignment or binding of moving parts, breakage of parts and any other conditions that may affect the unit's operation. If damaged, repair or replace the damaged part before use. Use only original replacement parts designed specifically for your model. When replacing any parts, you must strictly observe the instructions and procedures described in this manual. Special care should be paid to any rubber parts, since these parts may increase the engine load and decrease its mechanical power if damaged.

Always check that all bolts, nuts and knobs are tight before using the snow thrower!

Safety Symbols

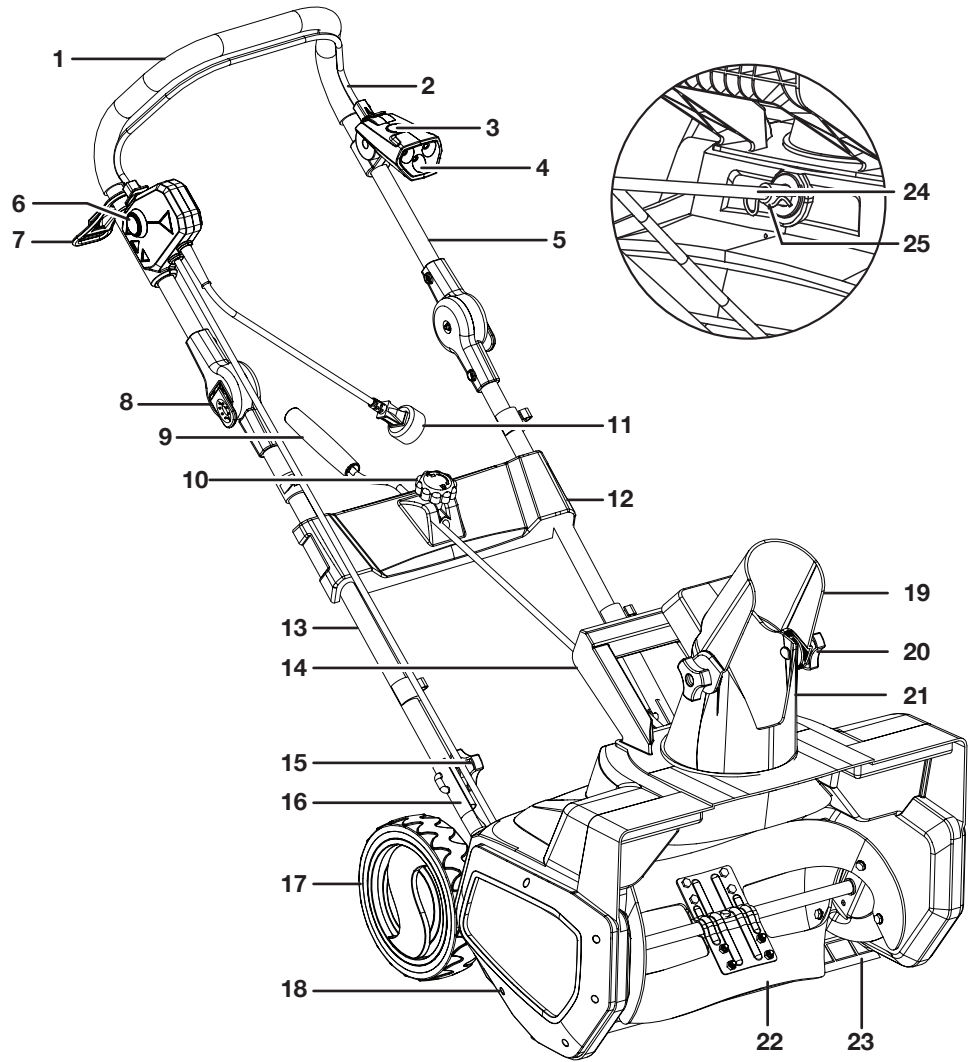
The following table describes safety symbols that may appear on this product. Read, understand and follow all instructions on the machine before attempting to assemble and operate.

Symbols	Descriptions	Symbols	Descriptions
	READ THE OPERATOR'S MANUAL(S) – Read, understand and follow all instructions in the user manual(s) before attempting to assemble and operate.		WARNING! Do not expose the unit to rain or wet conditions. Keep dry.
	SAFETY ALERT – Indicates a precaution, a warning or a danger.		DANGER! Cutting/dismemberment hazard - Keep feet away from the rotating auger.
	Wear hearing protection. Wear eye protection. Wear breathing protection.		CAUTION! Beware of stones and other foreign objects that could be thrown from the appliance.
	Keep hands, feet and clothing away from the rotating auger to avoid injury.		Keep bystanders and children a safe distance (at least 33 ft/10 m) away from the work area.
	Wear protective gloves and non-slip footwear when using the machine and handling debris.		Keep bystanders and children a safe distance away.
	Do not use hands to unclog chute.		DANGER! Cutting/dismemberment hazard – Keep hands away from the rotating auger. Do not use hands to unclog rotor housing. Stop motor before removing debris.
	Always keep the power cable away from heat sources, oils or sharp edges. Immediately remove plug from the mains if the cable is damaged or entangled.		WARNING! Turn the machine OFF and disconnect it from the power supply before inspecting, cleaning, changing accessories or conducting any other maintenance task.
	Double insulation.		The rotating part will continuously run for several seconds after you turn off the machine.

Know Your Electric Snow Thrower

Read the owner's manual and safety rules carefully before operating your electric snow thrower. Compare the illustration below to the actual unit in order to familiarize yourself with the location of the various controls and adjustments. Save this manual for future reference.

1. Handle bar
2. Switch bar lever
3. LED light switch
4. LED light
5. Upper handle
6. Safety switch button
7. Extension cord restraint hook
8. Handle locks
9. Chute crank
10. Crank adjustment knob
11. Appliance cord
12. Center plate
13. Middle handle assembly
14. Auxiliary handle
15. Handle knob (2)
16. Lower handle
17. Wheel (2)
18. Side cover (2)
19. Chute deflector
20. Deflector knob (2)
21. Discharge chute
22. Auger
23. Scraper bar
24. Crank rod
25. Cotter pin



Technical Data

Motor.....	15A	Clearing Width.....	21 in. (53 cm)
Rated Voltage.....	120V ~ 60 Hz	Depth of Snow Cut.....	12 in. (30 cm)
No Load Speed.....	1800 rpm	Throw Distance Max.....	20 ft (6 m)
Rotor.....	Steel auger with 2 rubber blades	Directional Control.....	180° adjustable chute
Tire Size.....	8 in. (20 cm)	Net Weight.....	33.7 lbs (15.3 kg)
LED light.....	3 W		

Unpacking

Carton Contents:

- Electric snow thrower with handle
- Chute crank rod with cotter pin
- Handle knobs/Deflector knobs (4)
- Square J-bolts (2)
- Carriage bolts (2)
- Rubber washers (2)
- Chute deflector
- Manual with registration card

1. Carefully remove the electric snow thrower and check to see that all of the above items are supplied.
2. Inspect the product carefully to make sure no breakage or damage occurred during shipping. If you find damaged or missing parts, DO NOT return the unit to the store. Please call the Snow Joe® + Sun Joe® customer service center at 1-866-SNOWJOE (1-866-766-9563).

NOTE: Do not discard the shipping carton and packaging material until you are ready to use the electric snow thrower. The packaging is made of recyclable materials. Properly dispose of these materials in accordance with local regulations or save the packaging for long-term product storage.

IMPORTANT! The equipment and packaging material are not toys. Do not let children play with plastic bags, foils, or small parts. These items can be swallowed and pose a suffocation risk!

Assembly



CAUTION

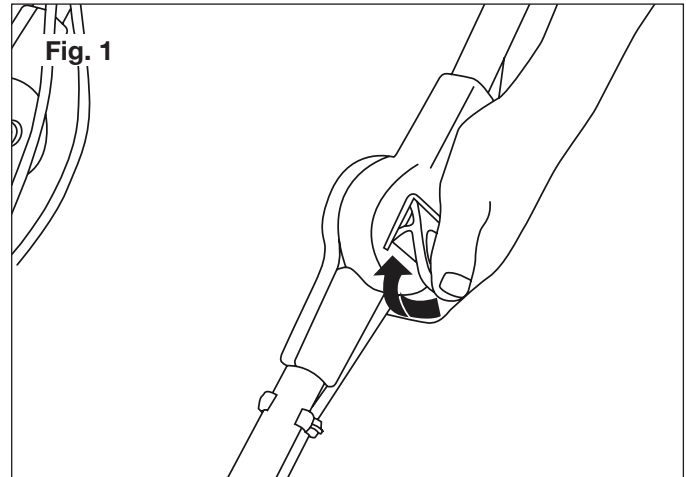


Inspect wiring, which, if damaged during shipping, may cause serious bodily injury during equipment use. If any damage is seen or suspected, do not assemble. Instead, contact the Snow Joe® + Sun Joe® customer service center at 1-866-SNOWJOE (1-866-766-9563) for assistance.

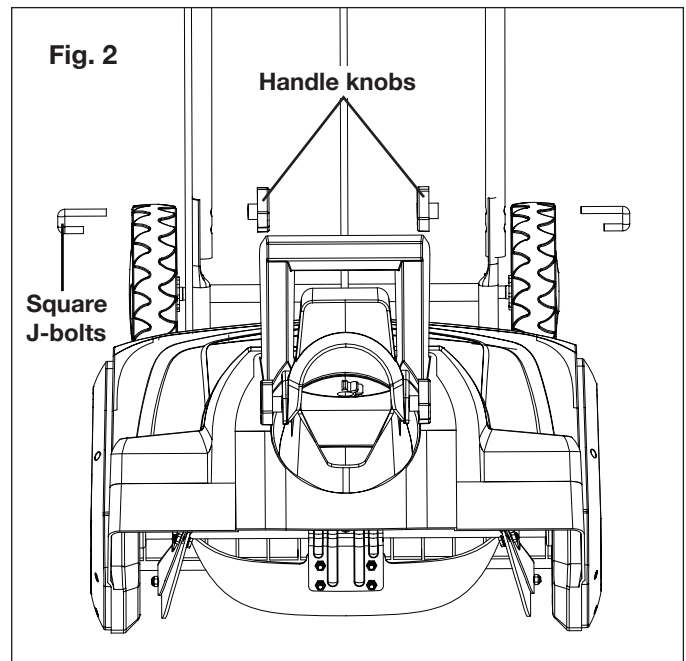
Handle with care during assembly so that electrical wiring does not become damaged.

Upper, Middle and Lower Frame Assembly

1. Secure the connection of the middle handle assembly to the upper handle by fastening the handle locks on each side (Fig. 1).

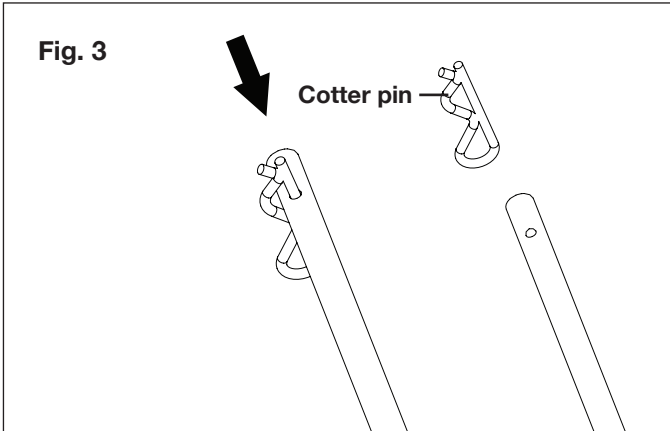


2. Align the holes in the bottom of the middle handle assembly with those in the lower handle (Fig. 2).
3. Secure the middle handle assembly to the lower handle using 2 handle knobs and 2 square J-bolts. Install the knobs on the inside of the unit, and tighten (Fig. 2).



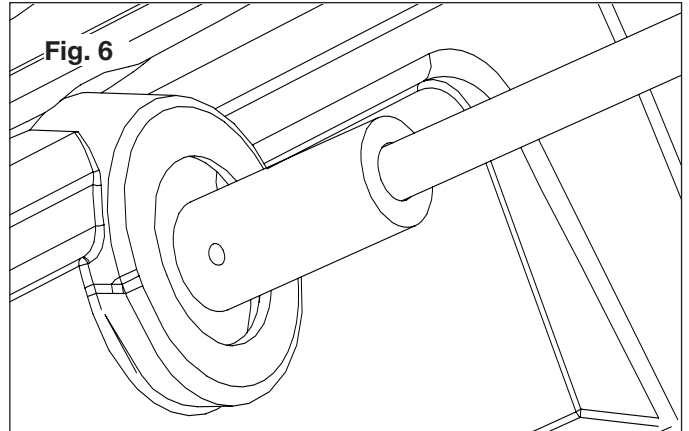
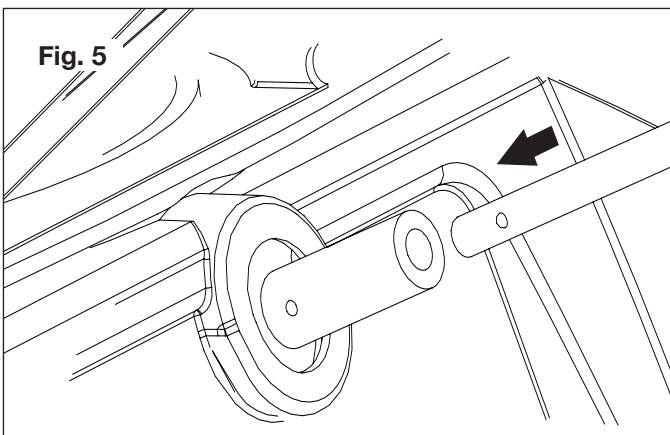
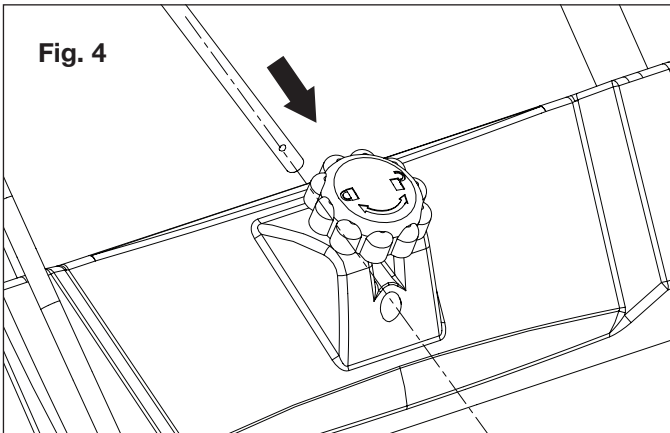
Chute Crank Assembly

1. Remove the cotter pin from the crank rod (Fig. 3).

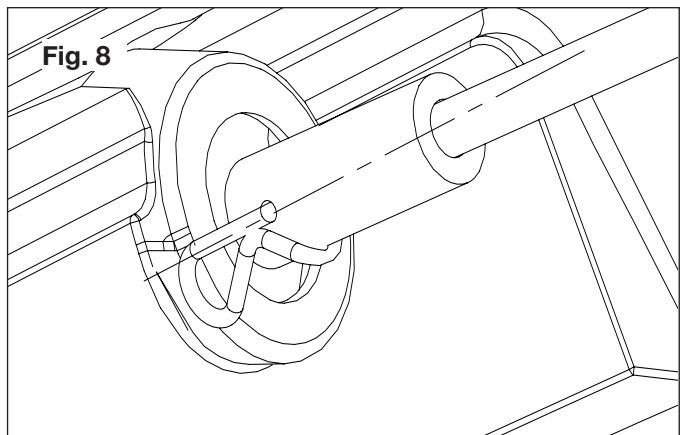
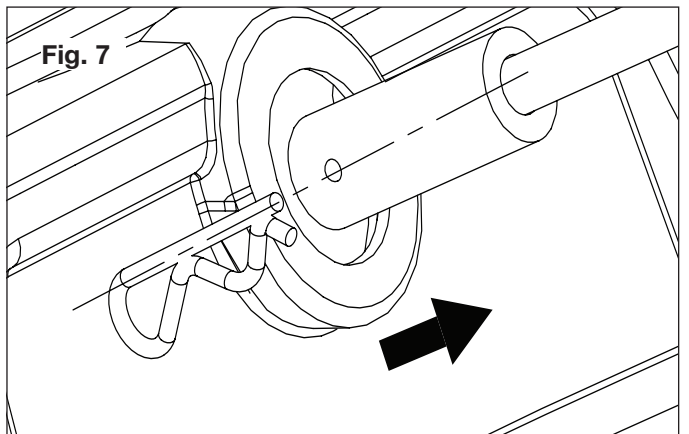


2. Install the crank rod through the center plate and insert it into the opening at the back of the housing with holes aligned (Figs. 4 – 6).

NOTE: Loosen or tighten crank adjustment knob to achieve a smooth control of the crank rod.

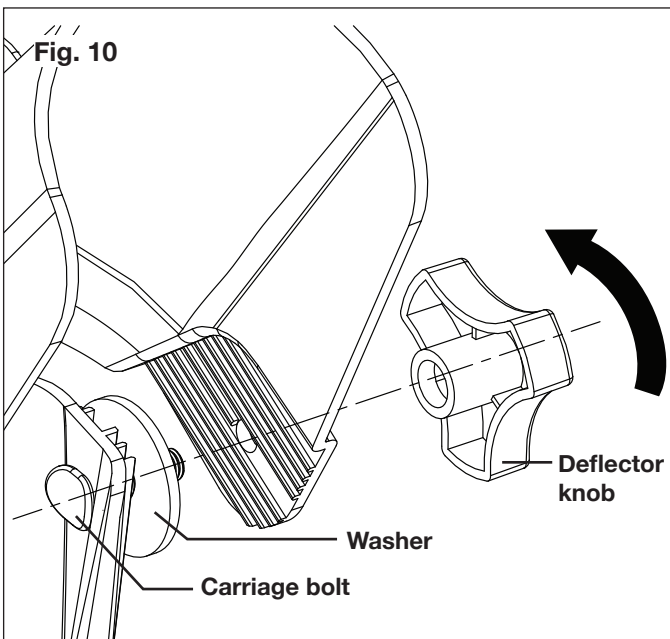
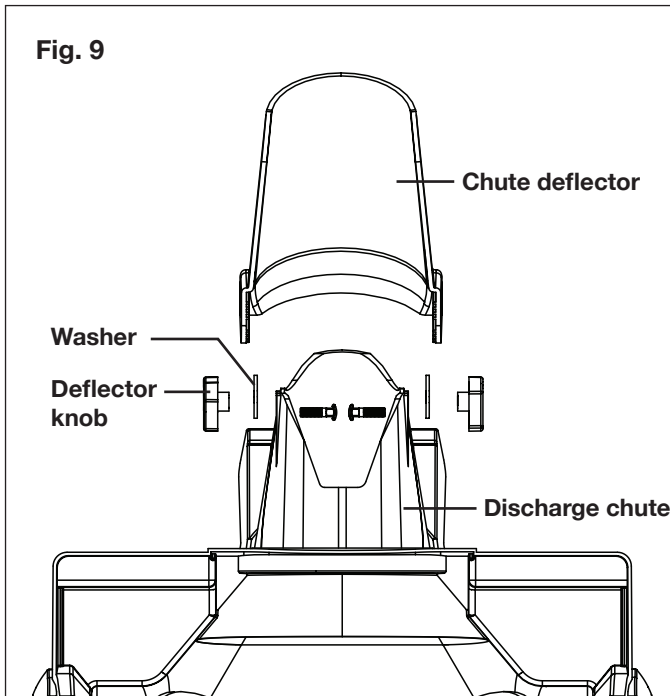


3. Secure the crank rod in place with the cotter pin (Figs. 7 – 8).

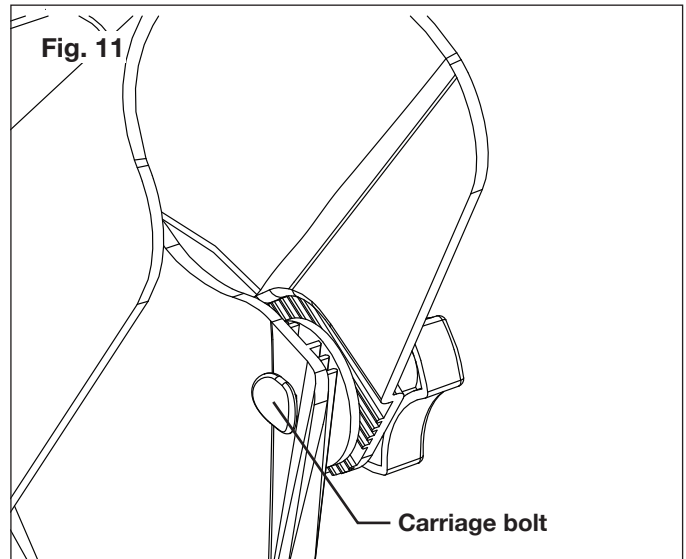


Discharge Chute Assembly

1. Position the chute deflector over the discharge chute and align the holes, placing the washer between the deflector and the chute (Figs. 9 – 10).



2. Secure the carriage bolts and knobs. Make sure the knobs are tightened (Fig. 11).



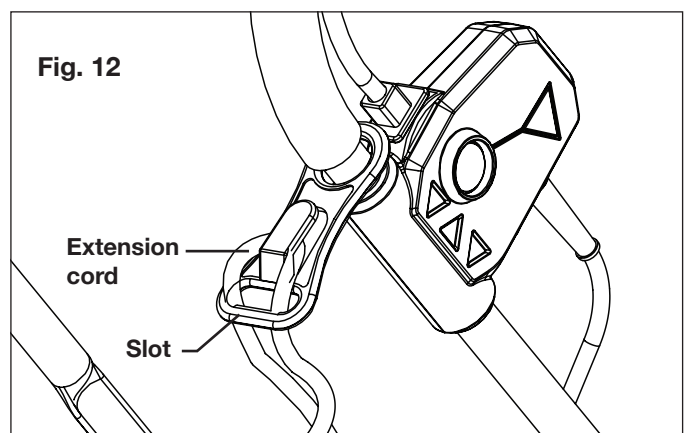
3. Turn the crank knob clockwise to ensure the discharge chute and deflector are in position.

Operation

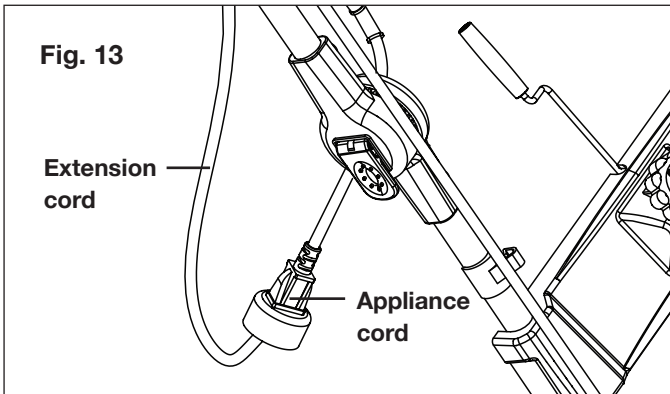
NOTE: Before using this machine, make sure that the power source you will use complies with the specifications detailed in this manual. Before inserting the plug into the socket, verify that the snow thrower's auger and rubber plates are firmly secured, and that the rubber plates are facing the correct direction. Perform a test run to ensure that the rotor turns freely.

Securing the Extension Cord

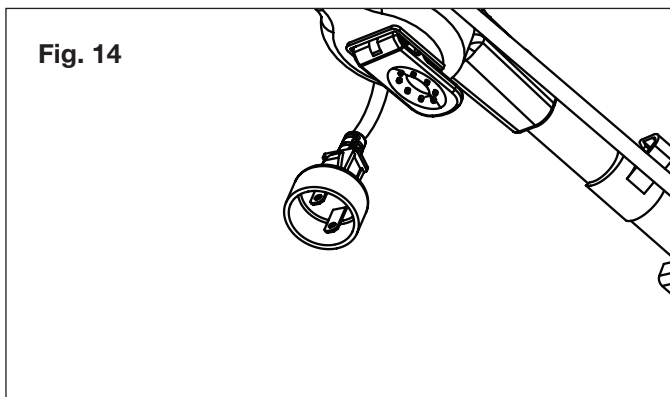
1. For safe and efficient use of your snow thrower, use only a UL-rated extension cord recommended for outdoor use. Refer to the **Extension Cord Chart** on page 2.
2. Push the loop of the extension cord through the slot on the cord lock from the opposite side of the restraint hook. Position the loop over the hook and pull the cable back through the slot (Fig. 12).



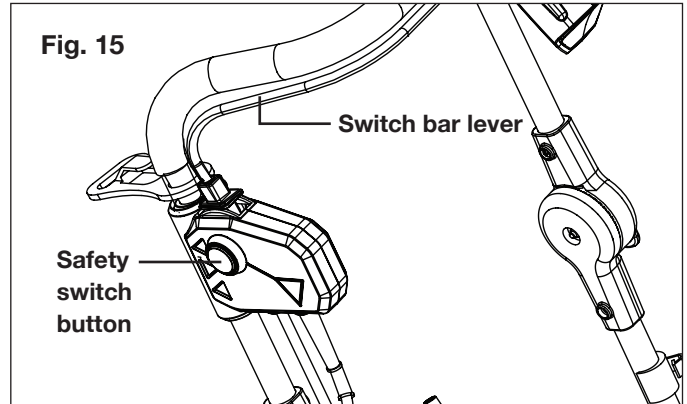
3. Insert the female end of the extension cord into the appliance's polarized male plug (Fig. 13).



4. Note that the snow thrower has a polarized male plug – one prong in the plug is slightly longer and wider than the other (Fig. 14). The extension cord female end should be likewise polarized so that the extension cord fits snugly into the appliance plug.



1. To switch the snow thrower ON, press the safety switch button, then squeeze the switch bar lever (Fig. 15).

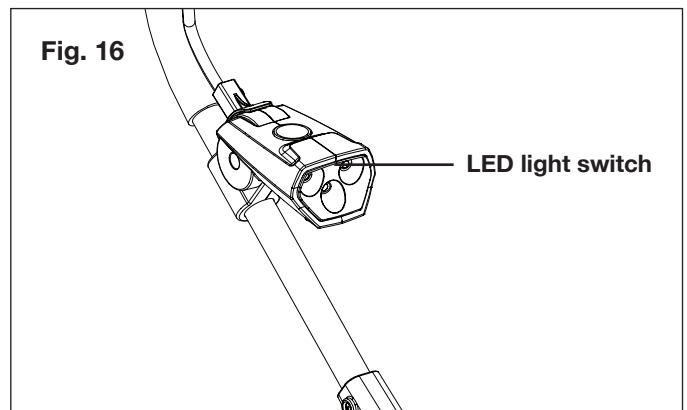


2. Once the snow thrower starts, release the safety switch button and proceed with operation.
3. To power OFF, release the switch bar lever.

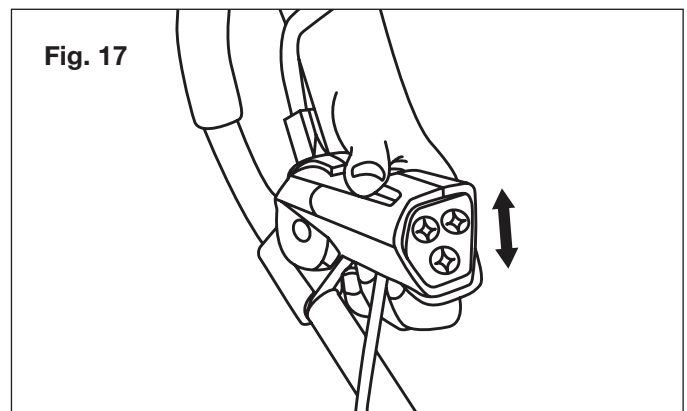
Utilize the LED Light

1. To utilize the LED light for nighttime snow removal, activate the LED light switch located on the switch bar harness (Fig. 16).

NOTE: After you have finished using your snow thrower, remember to turn OFF the light switch.



2. The LED light can be adjusted by moving it up and down as depicted (Fig. 17).



WARNING

Damaged electrical cords present risk of fire, electrical shock and serious bodily injury.

Before operating the snow thrower, carefully examine the electrical cord. If the cord is damaged, do not use the snow thrower. Replace or repair the damaged cord immediately. If you need assistance, contact an authorized Snow Joe® + Sun Joe® service center.

Powering On and Off

⚠️ WARNING! The auger starts rotating immediately after the snow thrower is switched on. Keep hands and feet away from the auger.

Moving the Machine and Plowing the Snow



WARNING



Foreign objects, such as rocks, broken glass, nails, wire, or string, can be picked up and thrown by the snow thrower, causing serious personal injury.

Remove all foreign objects from the area to be plowed before operating the snow thrower.

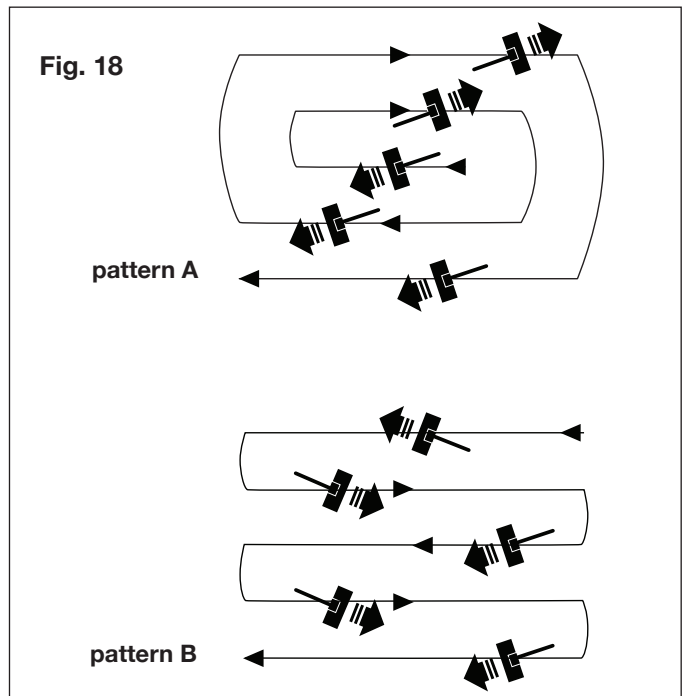
1. Keep the area of operation free of foreign objects that can become thrown by the rotor blades. Perform a thorough inspection of the area since some objects may be hidden from view by surrounding snow. If the snow thrower hits an obstruction or picks up a foreign object during use, stop the snow thrower, disconnect the extension cord, remove the obstruction and inspect the unit for damage. Repair or replace any damaged part before restarting and operating the unit.
2. Keep children, pets and bystanders away from the area of operation. Be aware that the normal noise of the machine when turned on may make it difficult for you to hear approaching people.
3. When moving the snow thrower, use the wheels on one side as the pivot point. Slightly tilt the snow thrower on this pivot point to move it forward or backward.
4. Start your clearing path near the electrical outlet and work outward, throwing snow in a back and forth motion. To clear in the opposite direction, step over the cord and pivot the snow thrower on its wheels. Make sure to overlap clearing paths.
5. Note the wind direction. If possible, move in the same direction as the wind so that the snow is not thrown against the wind (and thus back into your face and onto the just-cleared path).
6. While moving the snow thrower, do not drag the power cable violently or roughly. The snow thrower should move within the range that the cable can safely reach.
7. Do not push the snow thrower with excessive force. You should push the machine gently and evenly in accordance with the unit's throw rate.
8. Do not apply additional man-made load to the engine since this may cause engine damage.
9. Some parts of the snow thrower may freeze under extreme temperature conditions. Do not attempt to operate the snow thrower with frozen parts. If the parts freeze while the snow thrower is in use, stop the snow thrower, unplug the extension cord and inspect for frozen parts. Free all parts before restarting or operating the snow thrower. Never force controls that have frozen.

10. When working on pebbles, gravel or unpaved surfaces, avoid throwing loose surface material along with the snow by pushing down on the handle to raise the scraper bar at the base of the unit above the pebbles or gravel.

11. For larger areas, a definite pattern of operation is required to thoroughly clean an area of snow. These patterns will avoid throwing snow in unwanted places, as well as eliminate the need for a second removal of snow (Fig. 18).

Pattern A: Throw the snow to the right or left side where it is possible. For areas such as a long driveway, it is advantageous to start in the middle. Plow from one end to the other, throwing snow to both sides.

Pattern B: If the snow can only be thrown to one side of the area to be cleared, start on the opposite side.



Changing Throw Direction and Throw Height



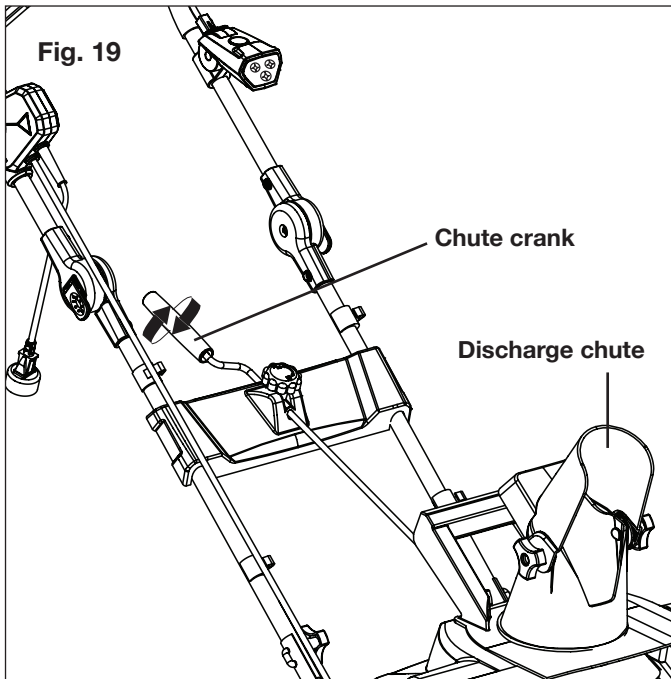
WARNING



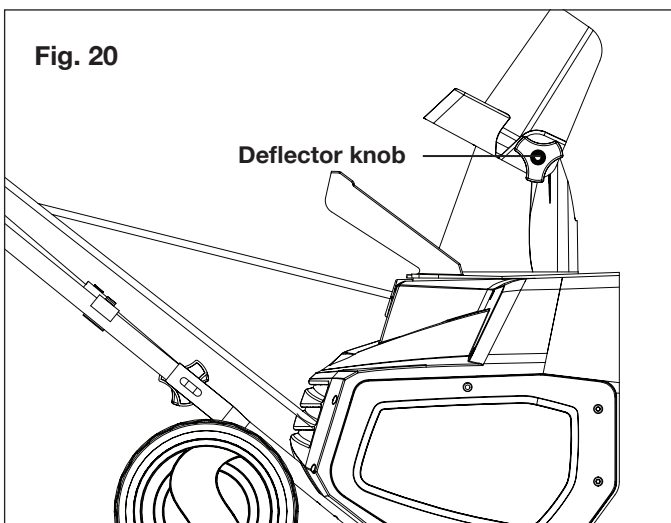
Never direct the snow discharge chute at the operator, at bystanders, at vehicles or at nearby windows. The discharged snow and foreign objects accidentally picked up by the snow thrower can cause serious damage and personal injury.

Always orient the discharge chute in the opposite direction from where you, bystanders, surrounding vehicles or windows are located.

1. The discharge chute can be adjusted 180 degrees by rotating the chute crank. Rotate the chute control crank clockwise to move the discharge chute to the left and counterclockwise to move the chute to the right (Fig. 19).



2. The chute deflector on the top of the discharge chute controls the height of the snow stream. Loosen the knobs to raise or lower the deflector to the desired height of snow you wish to throw. Tighten the knobs to secure the deflector (Fig. 20).



WARNING



Make sure that the chute deflector snaps and locks completely onto the discharge chute. An opening between the discharge chute and the chute deflector may allow foreign objects to be picked up by the snow thrower and thrown in the direction of the operator causing serious bodily injury.

- Do not advance the chute deflector too far forward causing an opening to appear between the deflector and discharge chute.
- Do not overtighten the knobs on the chute deflector.

Maintenance



WARNING



Make sure to turn off the switch and disconnect the extension cord before performing any maintenance task on your snow thrower.

Lifetime Lubrication (Motor and Auger)

Lubrication is not necessary and may damage the unit. The snow thrower is lubricated for lifetime use at the factory before shipment.

General Maintenance Tips

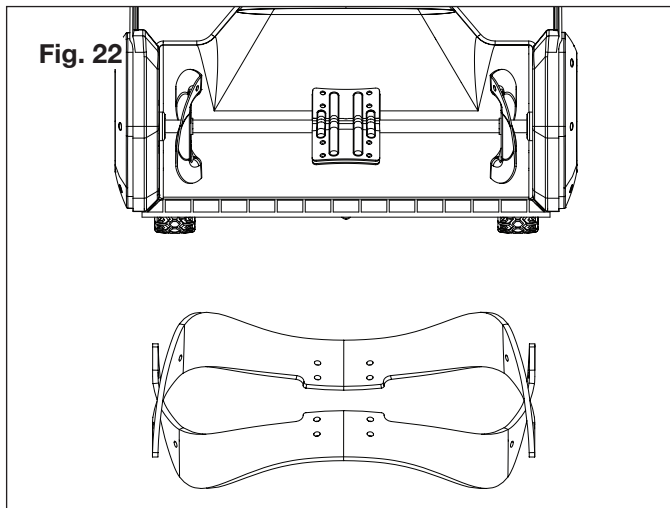
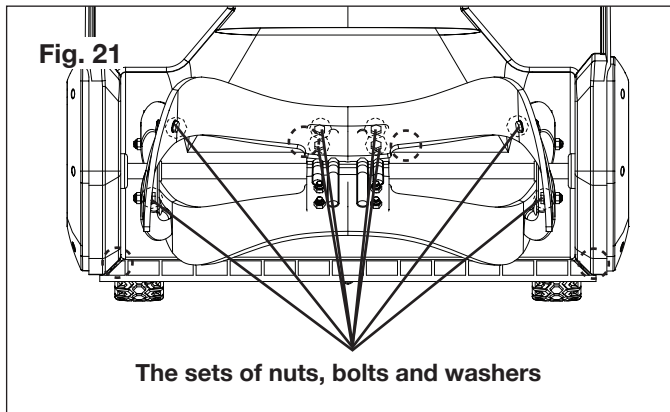
1. Do not attempt to repair the machine unless you have the proper tools and instructions for disassembly and repair of the machine.
2. Check bolts and screws at frequent intervals for proper tightness to ensure that the equipment is in safe working condition.
3. After each snow removal session, run the snow thrower for a few minutes to prevent the collector/impeller from freezing. Shut off the motor, wait for all revolving parts to stop completely and wipe residual ice and snow off the unit. Rotate the chute crank several times to remove any excess snow.
4. Only use a cloth soaked with hot water and a soft brush to clean the snow thrower; never wet or spray water on the machine!
5. Do not use detergent or solvents as these could cause irreparable damage to the snow thrower. Chemicals can destroy the plastic parts.

6. To protect the snow thrower from corrosion when storing for long periods, lightly oil the metal parts.
7. Store the appliance in a dry area out of reach of children.
8. For the user's safety, worn or damaged parts must be replaced. Replace with original replacement parts only. Parts from another snow thrower may not fit properly causing an unsafe situation.

Replacing the Rubber Plates

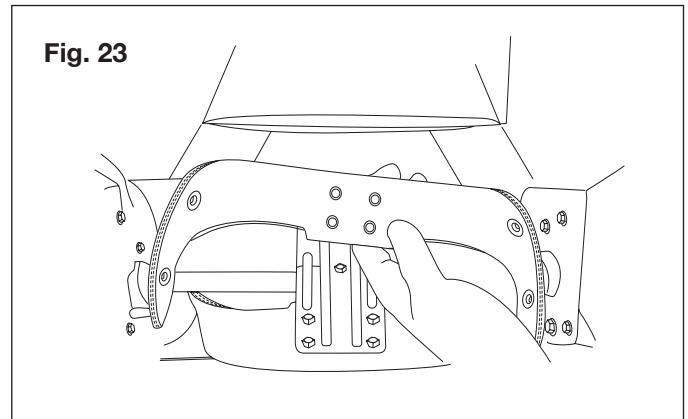
NOTE: When replacing worn rubber plates, pay close attention to any different types of bolts and nuts and where they are positioned. This will ensure that the new rubber plates are installed properly and securely.

1. Detach the worn rubber plate by removing the sets of nuts, bolts and washers used to secure it. (Figs. 21 – 22).



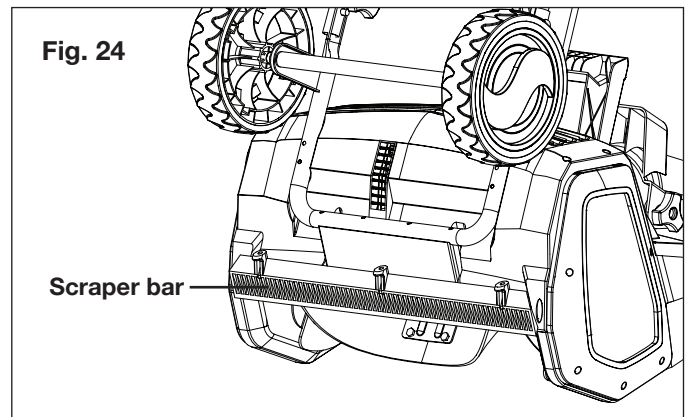
2. Install the first replacement rubber plate and insert the appropriate bolt into the corresponding holes on each part of the rubber plate. Make sure the lock-nuts are firmly secured to the bolts.

3. Install the other rubber plate in the same manner (Fig 23).

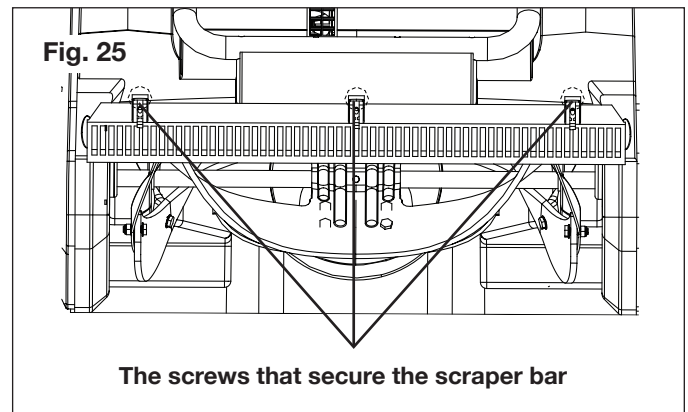


Replacing the Scraper Bar

1. The scraper bar is located at the base of the snow thrower beneath the rotor housing (Fig. 24).



2. Remove the screws that secure the scraper to the snow thrower (Fig. 25).



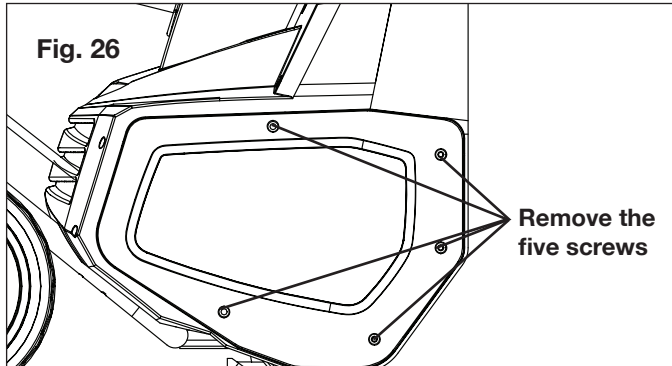
3. Install the new scraper bar and fasten it securely to the snow thrower with the screws.

Replacing the Belt

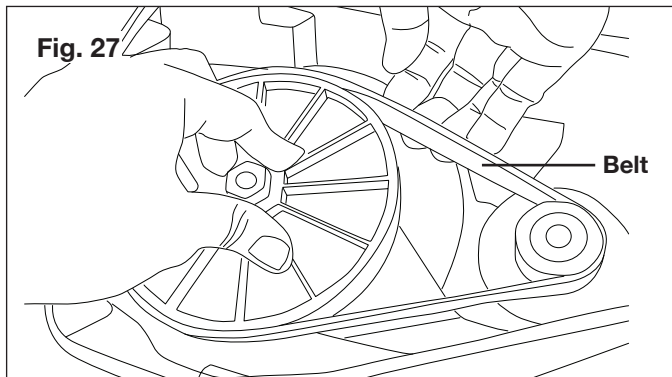
NOTE: Under normal operating conditions, it should not be necessary to replace the auger belt. However, should the auger jam or malfunction, the belt could be damaged. To replace the belt, follow the instructions.

NOTE: Determine the left and right hand side of the snow thrower by standing behind the unit in the normal operating position.

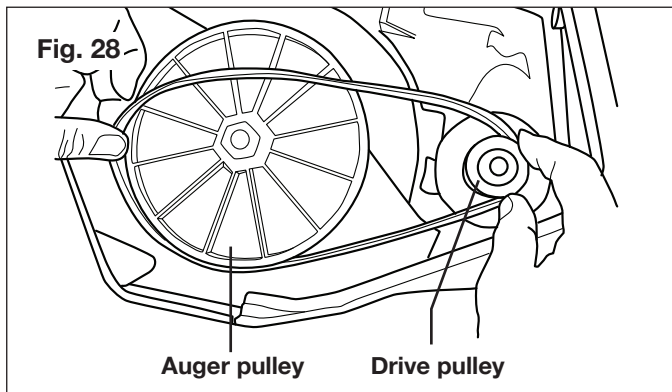
1. Open the left side plate by removing five screws. (Fig. 26).



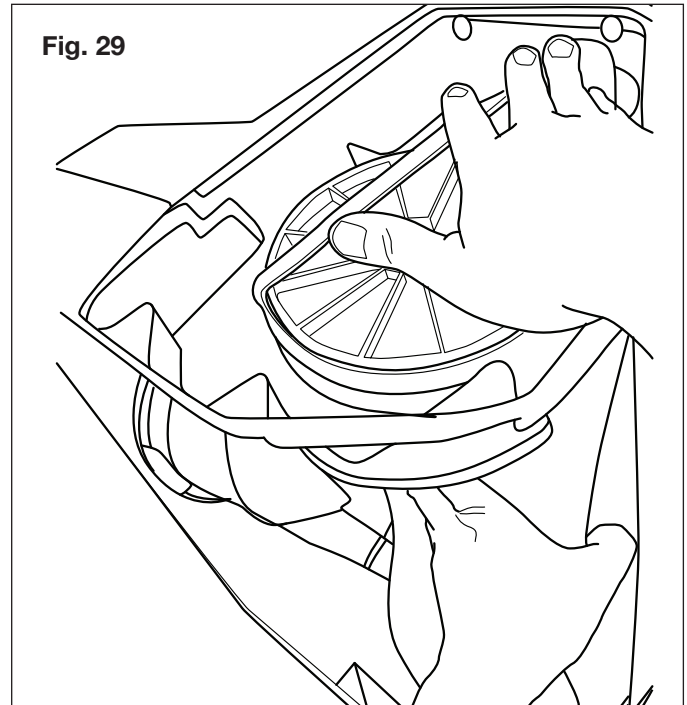
2. Use your right hand to turn the rib side of the belt up and pull upwards while turning the auger pulley counterclockwise with your left hand. The belt can be easily removed from the pulley (Fig. 27).



3. Put the belt on the drive pulley first and then place the belt at the lower end of the auger pulley (Fig. 28).



4. Use your right hand to press the belt with the ribbed side down. While holding the belt down with your right hand, use your left hand to turn the auger forward so that the auger pulley rotates in a clockwise direction. The belt will be gradually pushed down onto the pulley. When the belt is seated on the pulley, adjust it so that the ribs of the belt match the grooves on the pulley. (Fig. 29).

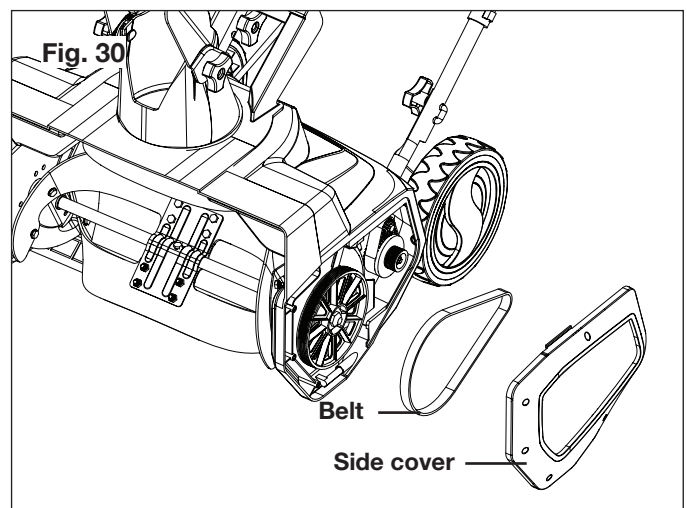


5. After belt is installed, replace the side plate and secure it with the five screws (Fig. 26).

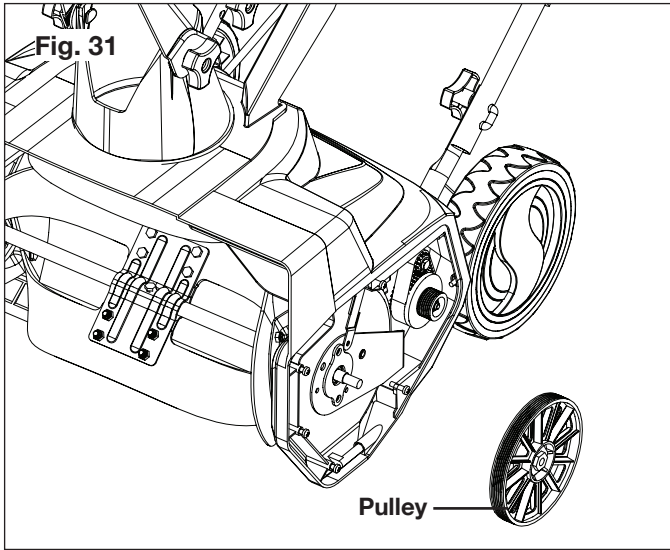
NOTE: Heavy wet snow puts a load on belts, thus requiring more frequent belt replacement.

Replacing the Pulley

1. Open the left side plate by removing the five screws (Fig. 26). Remove the belt by following the directions above (Fig. 30).



- Secure the auger. Using an 18 mm hex socket, turn the pulley clockwise to remove (Fig. 31).



- Follow directions in reverse to install the new pulley.

Storage

- Allow the engine to cool completely before cleaning, storing or transporting the snow thrower. Be sure to secure the unit while transporting.
- Disconnect the extension cord from the snow thrower. Inspect the extension cord closely for signs of wear or damage. Replace it if it is worn or damaged.
- Inspect the snow thrower carefully for worn, loose or damaged parts. Check connections and screws and tighten if necessary. For repairing or replacing parts, contact your authorized Snow Joe® + Sun Joe® dealer or the Snow Joe® + Sun Joe® customer service center at 1-866-SNOWJOE (1-866-766-9563).
- Store the unit, along with the disconnected extension cord, in a locked, dry place out of the reach of children to prevent unauthorized use or damage. Cover loosely with a tarp for added protection.

Service and Support

If your Snow Joe® SJ625E electric snow thrower requires service or maintenance, please call 1-866-SNOWJOE (1-866-766-9563) for assistance.

Model and Serial Numbers

When contacting the company, reordering parts or arranging service from an authorized dealer, you will need to provide the model and serial numbers, which can be found on the decal on the main cover of the unit to the left of the discharge chute. Copy these numbers into the space provided below.

Record the following numbers from the housing or handle of your new product:

Model #:

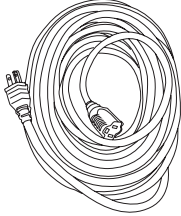
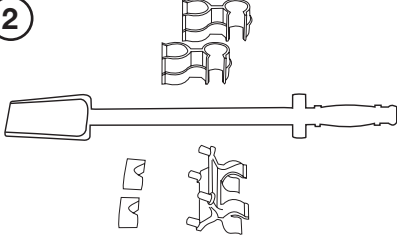
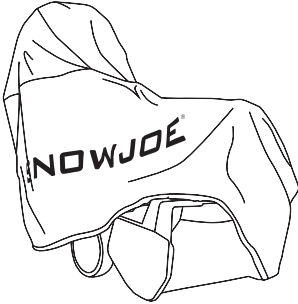
S | J | 6 | 2 | 5 | E | | | | | | | | | | | | | | | | | | | |

Serial #:

| | | | | | | | | | | | | | | | | | | | | | | | | | |

Accessories

⚠️ WARNING! ALWAYS use only authorized Snow Joe® + Sun Joe® replacement parts and accessories. NEVER use replacement parts or accessories that are not intended for use with this electric snow thrower. Contact Snow Joe® + Sun Joe® if you are unsure whether it is safe to use a particular replacement part or accessory with your electric snow thrower. The use of any other attachment or accessory can be dangerous and could cause injury or mechanical damage.

Accessories	Item	Model
<p>①</p> 	<p>Snow Joe® + Sun Joe® SJTW-A 14-gauge 50-foot extension cord with lighted end</p>	<p>PJEXT50-B</p>
<p>②</p> 	<p>Universal snow thrower chute clean-out tool</p>	<p>SJCOT</p>
<p>③</p> 	<p>Universal 21-inch snow thrower protective cover</p>	<p>SJCVR-21</p>

NOTE: Accessories are subject to change without any obligation on the part of Snow Joe® + Sun Joe® to provide notice of such changes. Accessories can be ordered online at snowjoe.com or via phone by contacting the Snow Joe® + Sun Joe® customer service center at 1-866-SNOWJOE (1-866-766-9563).



SNOW JOE® + SUN JOE® CUSTOMER PROMISE

ABOVE ALL ELSE, Snow Joe, LLC (“Snow Joe”) is dedicated to you, our customer. We strive to make your experience as pleasant as possible. Unfortunately, there are times when a Snow Joe®, Sun Joe®, or Aqua Joe® product (“Product”) does not work or breaks under normal operating conditions. We think it’s important that you know what you can expect from us. That’s why we have a Limited Warranty (“Warranty”) for our Products.

OUR WARRANTY:

Snow Joe warrants new, genuine, powered and non-powered Products to be free from defects in material or workmanship when used for ordinary household use for a period of two years from the date of purchase by the original, end-user purchaser when purchased from Snow Joe or from one of Snow Joe’s authorized sellers with proof of purchase. Because Snow Joe is unable to control the quality of its Products sold by unauthorized sellers, unless otherwise prohibited by law, this Warranty does not cover Products purchased from unauthorized sellers. If your Product does not work or there’s an issue with a specific part that is covered by the terms of this Warranty, Snow Joe will elect to either (1) send you a free replacement part, (2) replace the Product with a new or comparable product at no charge, or (3) repair the Product. How cool is that!

This Warranty gives you specific legal rights, and you may also have other rights which vary from State to State.

PRODUCT REGISTRATION:

Snow Joe strongly encourages you to register your Product. You can register online at snowjoe.com/register, or by printing and mailing in a registration card available online from our website, or calling our Customer Service Department at **1-866-SNOWJOE (1-866-766-9563)**, or by e-mailing us at help@snowjoe.com. Failure to register your Product will not diminish your warranty rights. However, registering your Product will allow Snow Joe to better serve you with any of your customer service needs.

WHO CAN SEEK LIMITED WARRANTY COVERAGE:

This Warranty is extended by Snow Joe to the original purchaser and original owner of the Product.

WHAT IS NOT COVERED?

This Warranty does not apply if the Product has been used commercially or for non-household or rental applications. This Warranty also does not apply if the Product was purchased from an unauthorized seller. This Warranty also does not cover cosmetic changes that do not affect performance. Wearing parts like belts, augers, chains and tines are not covered under this Warranty, and can be purchased at snowjoe.com or by calling **1-866-SNOWJOE (1-866-766-9563)**.



SNOWJOE®

QUITANIEVE ELÉCTRICO

53 CM | 15 A | LUZ LED

ES

MANUAL DEL OPERADOR

Una división de Snow Joe®, LLC

Modelo SJ625E

Forma No. SJ-SJ625E-880S-MR8

¡IMPORTANTE!


Instrucciones de seguridad

Todos los operadores deberán leer estas instrucciones antes del uso


Cualquier artefacto eléctrico puede ser peligroso si se usa incorrectamente. Algunas de las precauciones de seguridad que aparecen en este manual se aplican a muchos artefactos. Otras advertencias son específicas al uso de este quitanieve. Guarde este manual para futuras referencias.

¡ADVERTENCIAS generales de seguridad!

Usted y cualquier otro operador de este quitanieve deben leer, entender y seguir estas instrucciones en su totalidad, y deberán volver a leerlas al inicio de cada temporada de nieve. No seguir todas las instrucciones puede causar un CHOQUE ELÉCTRICO, INCENDIO y/o DAÑOS PERSONALES graves.

Preste atención al símbolo de alerta de seguridad personal  usado en este manual para enfocar su atención a una ADVERTENCIA dada junto a una instrucción de operación particular. Esto significa que la operación requiere ATENCIÓN, PRECAUCIÓN y CAUTELA especiales.

- 1. Mantenga el área de trabajo limpia y bien iluminada.**
Las áreas de trabajo abarrotadas y las áreas oscuras provocan accidentes.
- 2. No opere el quitanieve en una atmósfera explosiva,** como en presencia de líquidos inflamables, gases o polvo. Las herramientas eléctricas crean chispas que pueden encender el polvo o los gases.
- 3. Mantenga a las mascotas, niños y espectadores alejados del área de trabajo.** Tenga en cuenta que el ruido normal de la máquina al ser encendida puede hacer difícil para usted oír a la gente acercarse. Los visitantes deben usar gafas de seguridad y ser mantenidos a una distancia segura, lejos del área de trabajo. No permita que los espectadores toquen el quitanieve o el cable de extensión.
- 4. Los enchufes deben encajar en los tomacorrientes.** Nunca modifique el enchufe de ninguna manera. No use ningún enchufe adaptador con artefactos que tengan conexión a tierra. El uso de enchufes no modificados y tomacorrientes equivalentes reducirá el riesgo de choques eléctricos.

- 5. Evite el contacto de su cuerpo con superficies conectadas a tierra** (es decir, tuberías de agua en cielorraso o subterráneas, radiadores, cocinas, refrigeradores, hornos microondas o estructuras externas de equipos calefactores). Tome las precauciones necesarias para evitar un choque eléctrico. Hay un mayor riesgo de choque eléctrico si su cuerpo está conectado a tierra.
- 6. No maltrate el cable.** Mantenga el cable alejado del calor, aceite, bordes filosos o partes en movimiento. Nunca jale el quitanieve por el cable o tire del cable para desconectarlo del tomacorriente. Los cables dañados o enredados aumentan el riesgo de un choque eléctrico.
- 7. Reemplace o repare apropiadamente los cables dañados.** Si el cable se daña de cualquier manera mientras está enchufado en el tomacorriente de pared, tire inmediatamente del enchufe del cable de extensión para retirarlo del tomacorriente.
- 8. El contacto con el agua durante la operación del quitanieve puede resultar en un choque eléctrico y graves lesiones corporales.** No use el quitanieve en lugares húmedos o mojados o bajo la lluvia. No toque el enchufe o el artefacto con las manos húmedas o mientras esté parado sobre agua.
- 9.  ¡ADVERTENCIA! Use cables de extensión de los siguientes tipos: SW-A, SOW-A, STW-A, STOW-A, SJW-A, SJTW-A ó SJTOWA.** Estos cables están especificados para uso en exteriores y reducen el riesgo de choque eléctrico.
- 10. Apague el interruptor de alimentación y desconecte el cable de alimentación antes de llevar a cabo en el quitanieve cualquier ajuste, inspección, mantenimiento, reparación, cambio de accesorios o limpieza. Siga el mismo procedimiento si otras condiciones peligrosas están presentes durante la operación.** Cualquier ajuste a la unidad debe ser llevado a cabo después de que las partes giratorias dentro del quitanieve se hayan detenido por completo. Estas medidas preventivas de seguridad reducen el riesgo de un encendido accidental de la herramienta.
- 11. Si usted ve que el cable de alimentación principal o el cable de extensión están dañados, desconecte la alimentación y desconecte el enchufe del receptáculo inmediatamente.** Repare el cable o reemplácelo de ser necesario.

12. Al reemplazar cualquiera de las partes, usted debe seguir estrictamente las instrucciones y procedimientos descritos en este manual del operador.

Se debe tener especial cuidado con las partes de goma, ya que estas partes, de estar dañadas, pueden aumentar la carga del motor y reducir su potencia mecánica.

13. No mueva o transporte el quitanieve cuando el enchufe está conectado al receptáculo de alimentación y el interruptor esté encendido.

14. Si, durante el uso, usted nota que la unidad está funcionando de forma inestable u oye ruidos anormales provenientes del motor, detenga la máquina, desconéctela de la fuente de alimentación y contacte a un centro de servicio Snow Joe® + Sun Joe® autorizado.

Seguridad eléctrica

1. Un interruptor de circuito de falla de conexión a tierra (GFCI) deberá proteger a los circuito(s) o tomacorriente(s) a ser empleados para el quitanieve. Hay receptáculos disponibles con protección incorporada GFCI y pueden ser utilizados para esta medida de seguridad.
2. Para evitar un choque eléctrico, use solo cables de extensión adecuados para uso en exteriores tales como SW-A, SOW-A, STW-A, STOW-A, SJW-A, SJOW-A, SJTW-A, ó SJTOW-A.

Antes del uso, verifique que el cable de extensión esté en buenas condiciones. Al usar un cable de extensión, asegúrese de usar uno lo suficientemente fuerte para poder transportar toda la electricidad que su quitanieve consumirá. Un cable de extensión demasiado fino causará una caída de tensión en la línea produciendo pérdida de potencia y recalentamiento.

3. Para reducir el riesgo de un choque eléctrico, este artefacto posee un enchufe polarizado (es decir una pata es más ancha que la otra). Use este artefacto solo con un cable de extensión polarizado y aprobado por UL, CSA o ETL para uso en exteriores y todo tipo de clima. El enchufe del artefacto encajará en el receptáculo del cable de extensión polarizado de una sola manera.

Si el enchufe del artefacto no entra por completo dentro del receptáculo del cable de extensión, invierta las clavijas del enchufe. Si el enchufe aún no encaja, obtenga un cable de extensión polarizado correcto. Un cable de extensión polarizado requerirá el uso de un tomacorriente polarizado. El enchufe de cable de extensión encajará en el tomacorriente polarizado de la pared solo de una manera. Si el enchufe no entra por completo dentro del tomacorriente de la pared, invierta las clavijas del enchufe. Si el enchufe aún no encaja, contacte a un electricista calificado para la instalación del tomacorriente de pared apropiado. No modifique el enchufe del artefacto, ni el receptáculo del cable de extensión, ni el enchufe del cable de extensión en ninguna forma.



ADVERTENCIA



Un choque eléctrico puede causar DAÑOS SEVEROS o MUERTE. Tenga en cuenta estas advertencias:

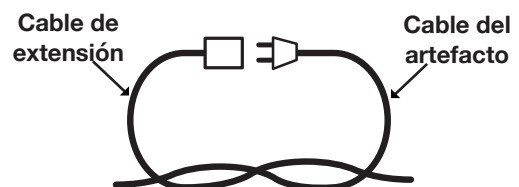
- No deje que ninguna parte del quitanieve haga contacto con el agua mientras esté funcionando. Si el artefacto se moja mientras está apagado, séquelo antes de encenderlo.
- Use solo un cable de extensión aprobado por UL, CSA o ETL y recomendado para uso en exteriores y todo tipo de clima, tal como el cable de extensión de 50 pies y calibre 14 SJTW-A de Snow Joe®+ Sun Joe® con extremo iluminado (modelo PJEXT50-B). Visite snowjoe.com para comprar este cable de extensión, o pídalo llamando al 1-866-SNOWJOE (1-866-766-9563).
- No use un cable de extensión de más de 100 pies (30 m).
- No toque el artefacto o su enchufe con las manos húmedas, o mientras esté parado sobre agua. Usar botas de hule le dará algo de protección.

TABLA DE CABLES DE EXTENSIÓN

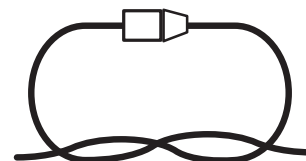
Longitud de cable de extensión	Hasta 50 pies (15 m)	+50 pies - 100 pies (+15 m - 30 m)
Calibre de alambre mínimo (AWG):	14	12

4. Para evitar que el cable del artefacto se desconecte del cable de extensión al usarlo haga un nudo con los dos cables, tal como se muestra en la Tabla 1.

Tabla 1. Método para asegurar el cable de extensión



(A) Ate el cable como se indica



(B) Conecte el enchufe y el receptáculo

5. No maltrate el cable. Nunca jale el quitanieve tirando su cable, ni tire de éste para desconectarlo del enchufe. Mantenga el cable alejado del calor, aceite y bordes filosos.

Seguridad personal

- 1. Manténgase alerta:** mire lo que esté haciendo y use el sentido común al operar el quitanieve. No use la máquina cuando esté cansado, enfermo, o bajo la influencia de drogas, alcohol o medicamentos. Un momento de distracción puede resultar en lesiones personales severas.
 - 2. Use vestimenta adecuada:** el uso de botas de goma brinda una protección adicional contra descargas eléctricas. No use ropa suelta o joyas ya que pueden engancharse en las partes móviles. Use una gorra o protección para la cabeza con el fin de mantener el pelo alejado de las partes giratorias de la máquina. Las gafas de protección ofrecen una mejor protección que las gafas comunes.
 - 3. Las partes móviles presentan riesgos:** mantenga su rostro, cabello, vestimenta, pies y manos lejos de las partes móviles. Todos los protectores y accesorios de seguridad deben ser instalados apropiadamente antes del uso de la unidad. Apague la máquina y desconecte el cable antes de tocar cualquier parte que no sean los mangos ni el interruptor.
 - 4. Superficies:** este quitanieve está diseñado para su uso sobre superficies pavimentadas. No lo use en grava, piedras u otras superficies no pavimentadas a no ser que el quitanieve sea modificado para dichas superficies, de acuerdo con las instrucciones que aparecen en el manual del operador.
 - 5. Evite los encendidos accidentales:** asegúrese de que el interruptor esté en la posición de APAGADO antes de enchufar la unidad. No transporte el quitanieve con el dedo sobre el interruptor de encendido.
 - 6. Posición del cuerpo:** mantenga con sus pies balance y posición adecuados durante todo el tiempo. Coloque los talones firmemente en el piso y agarre fuertemente el manillar. Esté atento a superficies desniveladas y no se extienda demasiado. En caso de que usted se caiga o choque contra el quitanieve, inspeccione la unidad para detectar daños o resquebrajaduras. Al retroceder, tenga especial cuidado y evite obstáculos cerca a sus pies o detrás de usted para evitar tropezar y caer.
 - 7. Si el quitanieve golpea un objeto, inmediatamente detenga el quitanieve, y luego inspecciónelo en busca de cualquier daño:** repare cualquier daño antes de reiniciar y operar el quitanieve.
- **Inspección preliminar de la unidad:** inspeccione minuciosamente la unidad antes del uso. Asegúrese de que todas las partes estén seguras e instaladas correctamente. Si usted nota cualquier anomalía, no use la máquina hasta que haya sido reparada correctamente. Lleve a cabo una prueba la primera vez que use el quitanieve, o siempre después de haber reemplazado partes para asegurarse de que la unidad funcione correctamente.
 - **Inspección preliminar del área:** limpie el área a ser trabajada antes de cada uso. Retire todos los objetos como rocas, vidrios rotos, clavos, alambres o cuerdas; los cuales pueden ser arrojados o enredarse dentro del quitanieve. Mantenga el área de trabajo libre de espectadores (especialmente niños), y mascotas.
 - **Fuerza excesiva:** el quitanieve fue diseñado para responder a una velocidad determinada en diversas condiciones de nieve para una seguridad y rendimiento óptimos. No lo fuerce. Mantenga la presión constante.
 - **Interruptor defectuoso:** no use el quitanieve si el interruptor no enciende ni apaga la máquina. Cualquier artefacto eléctrico que no pueda ser controlado por un interruptor no es seguro y deberá ser reparado.
 - **Golpear un objeto:** si el quitanieve golpea accidentalmente un objeto, siga estos pasos:
 - i) Detenga el quitanieve y desenchúfelo del tomacorriente;
 - ii) Inspeccione la unidad en busca de daños; y
 - iii) Repare o reemplace cualquier parte dañada antes de volver a encender y operar el quitanieve.
 - **Seguridad del conducto de descarga:** nunca apunte el conducto de descarga de nieve directamente al operador, a espectadores, vehículos o ventanas. El lanzar el chorro de nieve y objetos extraños recogidos accidentalmente por el quitanieve puede causar daños y lesiones personales severas. No use sus manos para desobstruir el conducto de descarga. Detenga el motor antes de retirar escombros.
 - **Posición de operación sosteniendo la máquina con las manos:** la operación del quitanieve sosteniéndolo con las manos es insegura.
 - **Operación anormal:** si usted nota que el quitanieve está funcionando de forma inestable u oye ruidos anormales provenientes del motor, detenga la máquina, desconéctela de la fuente de alimentación y contacte a un centro de servicio Snow Joe® + Sun Joe® autorizado.
 - **Control de ruido:** al usar el quitanieve, usted debe respetar las leyes y normas locales con respecto al control de ruido y la protección del medio ambiente. Para evitar perturbaciones de ruido, usted debe elegir a conciencia una hora de operación apropiada y tomar en cuenta las condiciones del entorno.
 - **Cuando el trabajo esté concluido:** desenchufe el quitanieve de la fuente de alimentación cuando no esté en uso, al cambiar accesorios, y antes de llevar a cabo cualquier operación de mantenimiento.

Instrucciones de seguridad para quitanieves de rodadura

- **Lea cuidadosamente el manual del operador:** entérese de las aplicaciones y limitaciones de su quitanieve; así como los peligros potenciales específicos relacionados con esta máquina. No utilice este quitanieve para ningún trabajo distinto al trabajo para el cual ha sido diseñado; de otro modo puede causar defectos mecánicos, daños severos o lesiones personales de consideración.

- **Almacenamiento seguro:** guarde el quitanieve en interiores, en un área seca, después de cada uso. Manténgalo en un área bajo llave, a donde no puedan acceder niños ni personas no autorizadas. No guarde la máquina mientras esté conectada a la fuente de alimentación ya que esto puede causar daños y lesiones.
- **Mantenimiento para seguridad y durabilidad:** verifique que las partes móviles no estén desalineadas o trabadas, que no haya partes rotas y que ninguna otra condición que pueda afectar el funcionamiento de la unidad esté presente. De estar dañada una parte, repárela o reemplácela antes de usar la unidad. Use solamente partes de repuesto diseñadas específicamente para su modelo. Al reemplazar cualquier parte, usted debe seguir estrictamente las instrucciones y procedimientos descritos en este manual. Se debe tener especial cuidado con las partes de goma, ya que estas partes, de estar dañadas, pueden aumentar la carga del motor y reducir su potencia mecánica.
¡Verifique siempre que estén ajustados todos los pernos, tuercas y perillas antes de usar el quitanieve!

Símbolos de seguridad

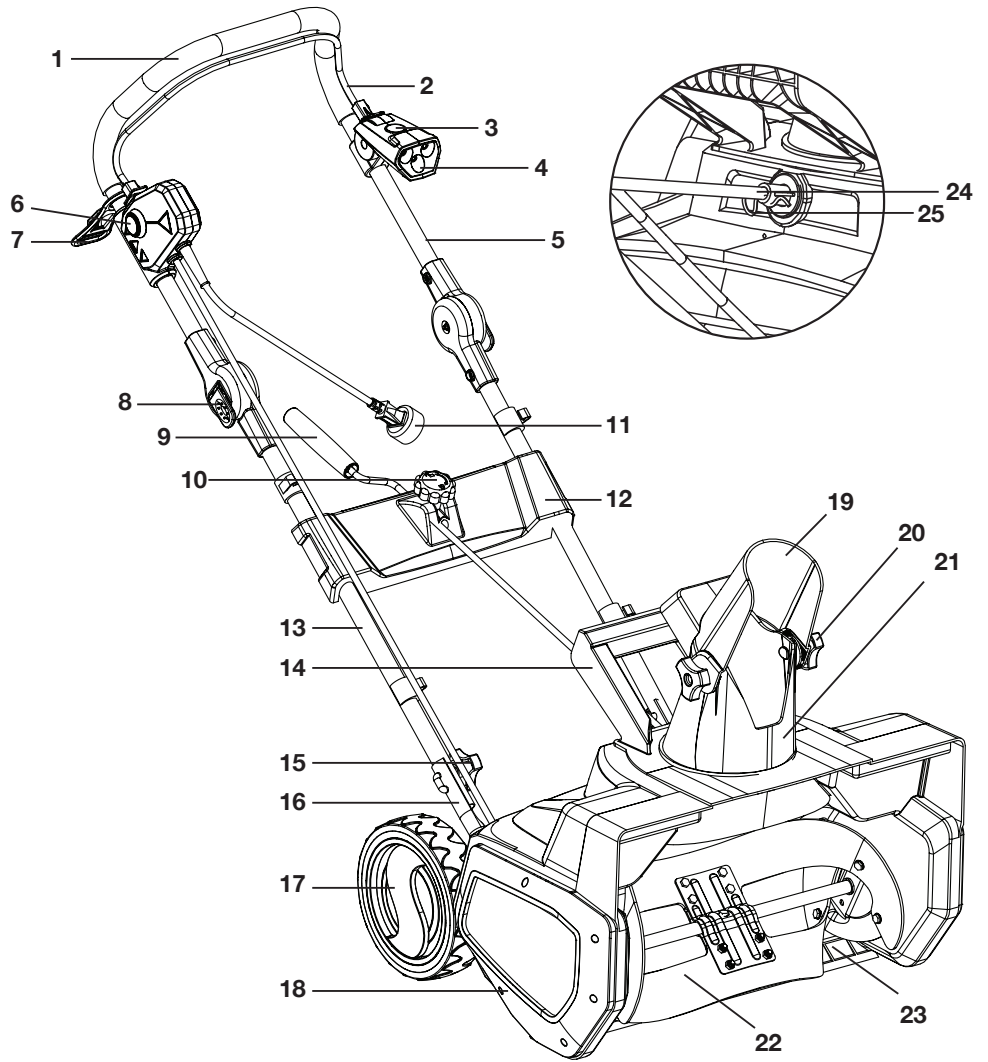
La siguiente tabla describe los símbolos de seguridad que pueden aparecer en este producto. Lea, comprenda y siga todas las instrucciones de la máquina antes de intentar ensamblarla y operarla.

Símbolo	Descripción	Símbolo	Descripción
	LEA EL(LOS) MANUAL(ES) DEL OPERADOR: lea, comprenda y siga todas las instrucciones en el(los) manual(es) antes de intentar ensamblar y operar la unidad.		¡ADVERTENCIA! No exponga la unidad a la lluvia o a condiciones húmedas. Manténgala seca.
	ALERTA DE SEGURIDAD: indica una precaución, advertencia o peligro.		¡PELIGRO! Peligro de corte/mutilación: mantenga los pies lejos de la barrena giratoria.
	Use protección auditiva. Use protección ocular. Use protección respiratoria.		¡PRECAUCIÓN! Tenga cuidado con piedras y otros objetos extraños que puedan ser lanzados desde el artefacto.
	Mantenga las manos, pies y ropa lejos de la barrena giratoria para evitar lesiones.		Mantenga a los espectadores y niños a una distancia segura (al menos 33 pies [10 metros]) del área de trabajo.
	Utilice guantes protectores y calzado no deslizante al usar la máquina y al manipular desechos.		Mantenga a los transeúntes y niños alejados a una distancia segura.
	No use las manos para desatascar el conducto.		¡PELIGRO! Peligro de corte/mutilación: mantenga las manos lejos de la barrena giratoria. No use las manos para desatascar la carcasa del rotor. Detenga el motor antes de retirar residuos.
	Mantenga siempre el cable de alimentación alejado de fuentes de calor, aceites o bordes afilados. Retire inmediatamente el enchufe del tomacorriente si el cable se daña o se enreda.		¡ADVERTENCIA! Apague la máquina y desconéctela de la fuente de alimentación antes de inspeccionarla, limpiarla, cambiarle accesorios o llevar a cabo cualquier otra tarea de mantenimiento en esta.
	Doble aislamiento.		La parte giratoria seguirá girando continuamente durante varios segundos después de que haya apagado la máquina.

Conozca su quitanieve

Lea cuidadosamente el manual del operador y las reglas de seguridad antes de operar su quitanieve eléctrico. Compare la ilustración debajo con la unidad real para familiarizarse con la ubicación de los diversos controles y ajustes. Guarde este manual para futuras referencias.

1. Manillar
2. Barra interruptora
3. Interruptor de luz LED
4. Luz LED
5. Mango superior
6. Botón interruptor de seguridad
7. Sujetador de cable de extensión
8. Trabas de mango
9. Manivela de conducto
10. Perilla de ajuste de manivela
11. Cable del artefacto
12. Placa central
13. Ensamblado de mango intermedio
14. Mango auxiliar
15. Tuerca de mariposa (2)
16. Mango inferior
17. Ruedas (2)
18. Cubierta lateral (2)
19. Deflector de conducto
20. Perilla de deflector (2)
21. Conducto de descarga
22. Rotor
23. Barra raspadora
24. Manivela
25. Pasador



Datos técnicos

Motor	15 A	Ancho de despeje	21 plg (53 cm)
Voltaje nominal	120 V ~ 60 Hz	Profundidad de corte de nieve	12 plg (30 cm)
Velocidad sin carga	1,800 rpm	Distancia máxima de lanzamiento	20 pies (6 m)
Rotor.....	Barrena de acero con dos hojas de goma	Control direccional	Conducto ajustable 180°
Tamaño de ruedas.....	8 plg (20 cm)	Peso neto	33.7 lb (15.3 kg)
Potencia de luz LED	3 W		

Desembalaje

El paquete contiene:

- Quitanieve eléctrico con mango
- Manivela de conducto con pasador
- Tuercas de mariposa/ perillas de deflector (4)
- Pernos J (2)
- Pernos de cabeza de hongo (2)
- Arandelas de goma (2)
- Deflector de conducto
- Manual con tarjeta de registro

1. Retire cuidadosamente el quitanieve eléctrico y compruebe que todos los artículos anteriores estén incluidos.
2. Inspeccione cuidadosamente el producto para asegurarse de que no haya ocurrido ningún daño o ruptura durante el transporte. Si alguna parte está dañada o extraviada, NO DEVUELVA la unidad a la tienda. Comuníquese con la central de servicio al cliente Snow Joe® + Sun Joe® llamando al 1-866-SNOWJOE (1-866-766-9563).

NOTA: no se deshaga de la caja de transporte ni del material de embalaje hasta que usted esté listo para usar su quitanieve eléctrico. El empaquetado está hecho de materiales reciclables. Deshágase apropiadamente de estos materiales según los reglamentos locales, o guarde el empaquetado para un almacenamiento del producto a largo plazo.

¡IMPORTANTE! El equipo y los materiales de embalaje no son juguetes. No deje que los niños jueguen con bolsas plásticas, láminas o partes pequeñas. ¡Estos objetos pueden ser tragados y representan un riesgo de asfixia!

Ensamblado



¡PRECAUCIÓN!

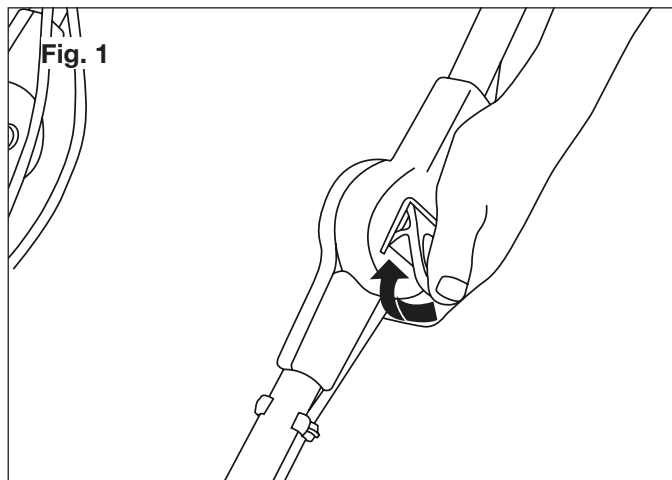


Inspeccione el cableado; el cual, de haber sido dañado durante el transporte, puede causar severas lesiones a su cuerpo durante el uso del equipo. Si se detecta o sospecha algún daño, no ensamble el artefacto. En su lugar, comuníquese con el centro de servicio al cliente Snow Joe® + Sun Joe® llamando al 1-866-SNOWJOE (1-866-766-9563) para asistencia.

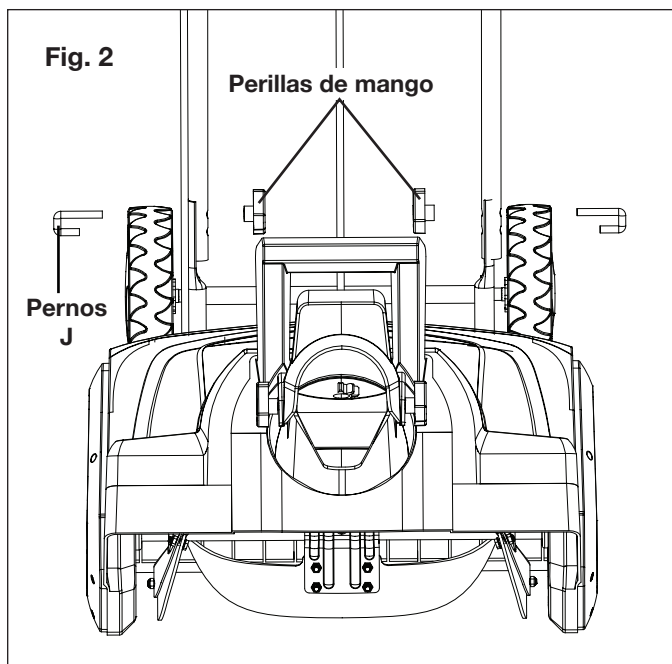
Ensamble el artefacto cuidadosamente, de tal manera que el cableado eléctrico no se dañe.

Ensamblado del marco superior, intermedio e inferior

1. Asegure la conexión del ensamblado de mango intermedio al mango superior ajustando las trabas de mango en cada lado (Fig. 1).

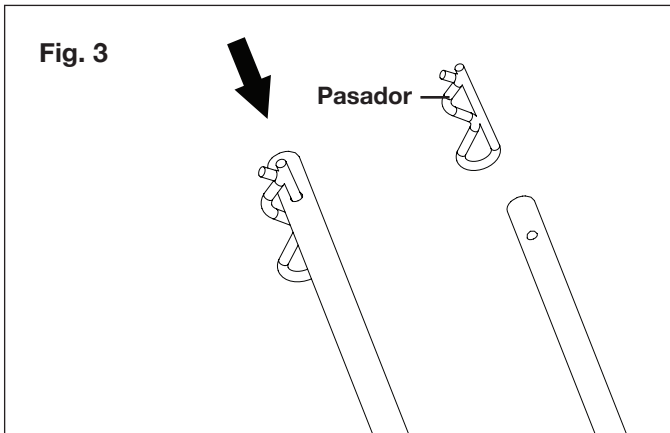


2. Alinee los orificios en la parte inferior del ensamblado de mango intermedio con aquellos del mango inferior (Fig. 2).
3. Asegure el ensamblado de mango intermedio al mango inferior con las dos tuercas de mariposa y los dos pernos J. Instale las tuercas de mariposa en la parte interior de la unidad, y apriete (Fig. 2).



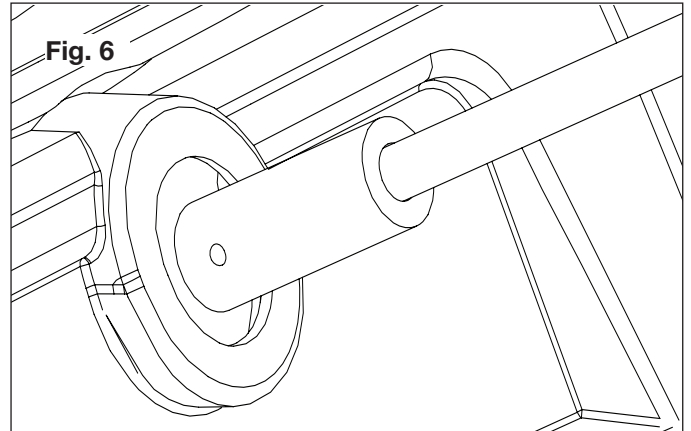
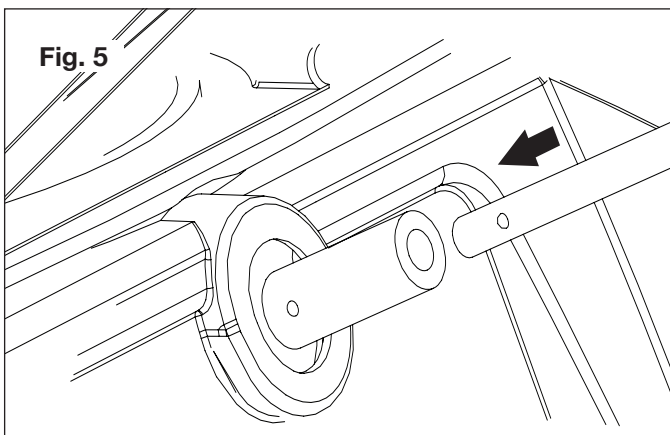
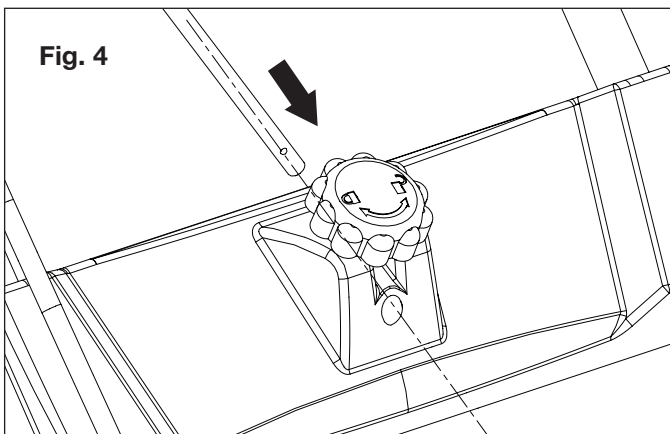
Ensamblado de la manivela del conducto

1. Retire el pasador de la manivela inferior (Fig. 3).

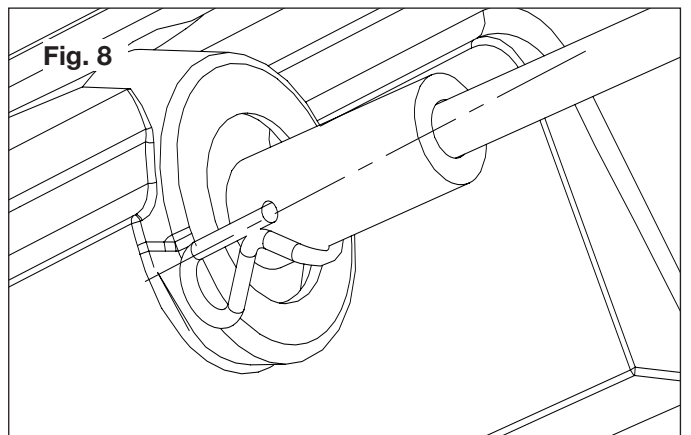
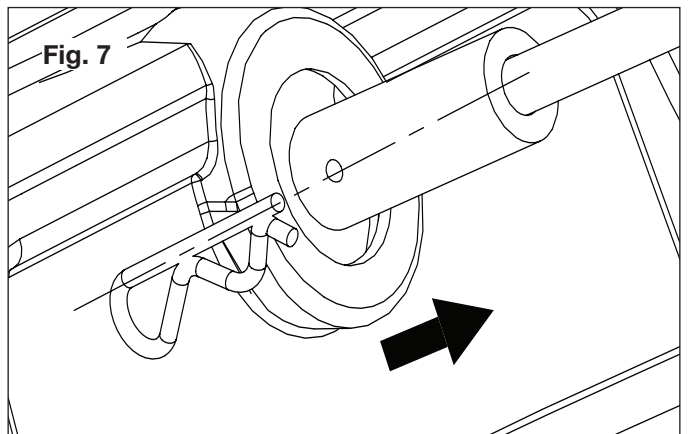


2. Instale la manivela a través de la placa central e insértela en la abertura en la parte posterior de la carcasa con los orificios alineados (Figs. 4 – 6).

NOTA: afloje o apriete la perilla de ajuste de manivela para lograr un control cómodo de la manivela.

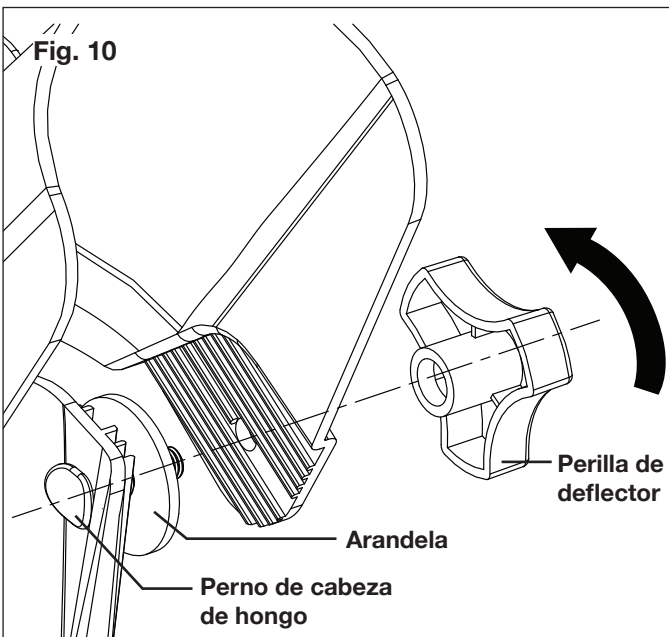
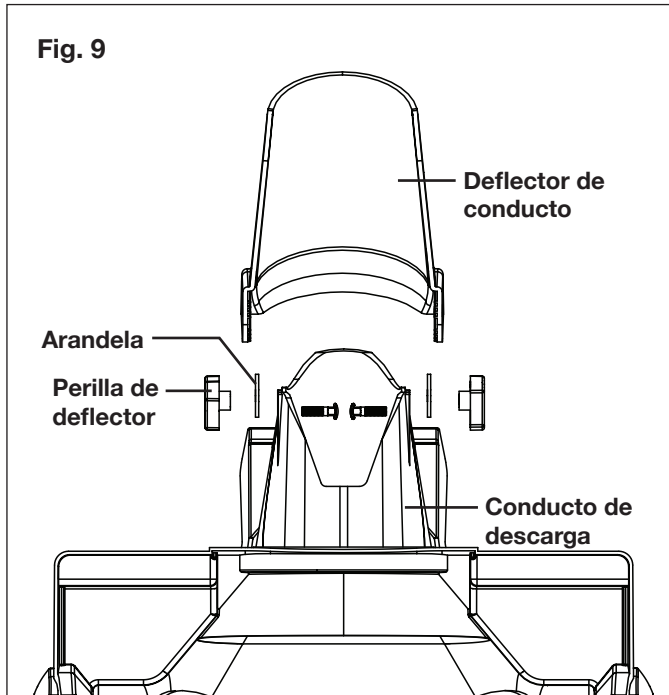


3. Asegure la manivela en su lugar con el pasador (Figs. 7 – 8).

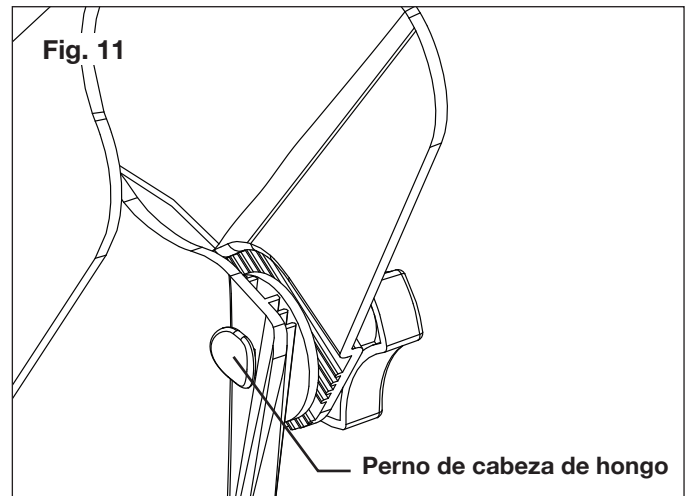


Ensamblado del conducto de descarga

1. Posicione el deflector de conducto sobre el conducto de descarga y alinee los orificios, colocando la arandela entre el deflector y el conducto (Figs. 9 – 10).



2. Ajuste los pernos de cabeza de hongo y perillas. Asegúrese de apretar bien las perillas (Fig. 11).



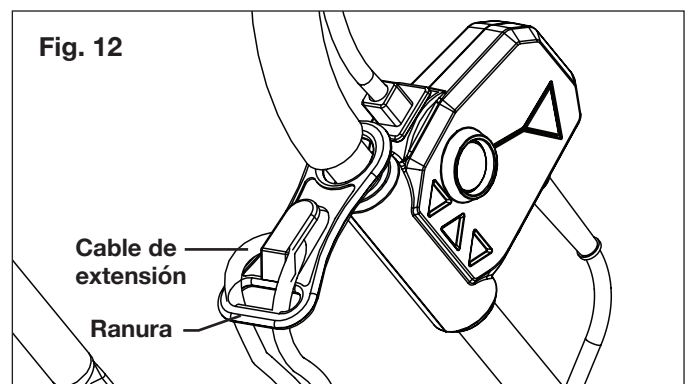
3. Gire la perilla de manivela en sentido horario para asegurarse de que el conducto de descarga y el deflector estén en sus posiciones correspondientes.

Operación

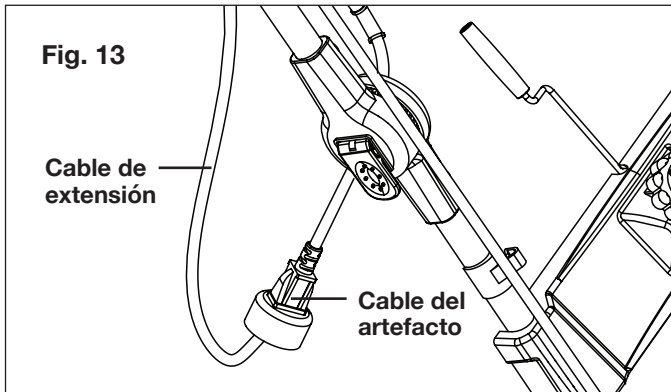
NOTA: antes de usar esta máquina, asegúrese de que la fuente de alimentación que vaya a utilizar cumpla con las especificaciones detalladas en este manual. Antes de insertar el enchufe en el receptáculo, verifique que el rotor y las placas de goma del quitanieve estén firmemente asegurados, y que las placas de goma estén de cara a la dirección correcta. Lleve a cabo un encendido de prueba para asegurarse de que el rotor gire libremente.

Asegurar el cable de extensión

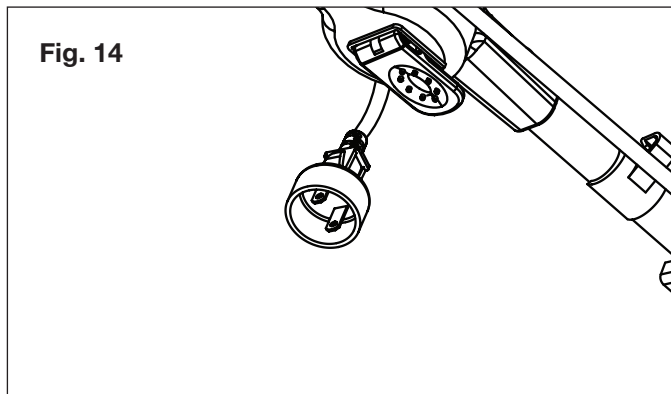
1. Para un uso seguro y eficiente de su quitanieve, utilice únicamente un cable de extensión certificado por UL recomendado para uso al aire libre. Consulte la **tabla de cables de extensión** en la página 20.
2. Empuje el bucle del cable de extensión a través de la ranura en el seguro del cable desde el lado opuesto del gancho de restricción. Posicione el bucle sobre el gancho y jale el cable de vuelta a través de la ranura (Fig. 12).



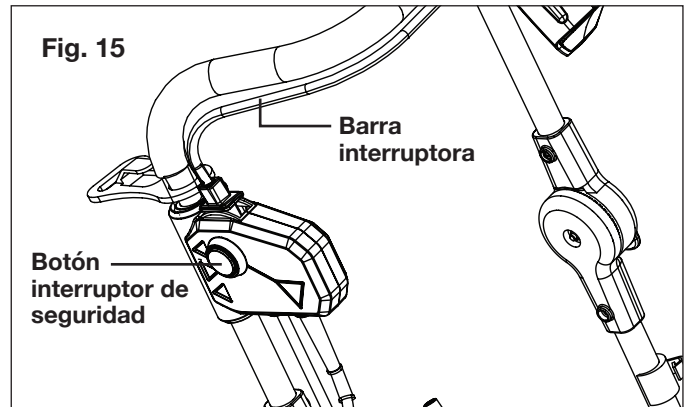
3. Inserte el extremo hembra del cable de extensión en el conector macho polarizado del artefacto (Fig. 13)



4. Note que el quitanieve tiene un conector macho polarizado, es decir que una pata en el conector es ligeramente más larga y ancha que la otra (Fig. 14). Del mismo modo, el extremo hembra del cable de extensión debe estar polarizado de tal manera que el cable de extensión encaje perfectamente en el conector del artefacto.



1. Para encender el quitanieve, presione el botón interruptor de seguridad, y luego apriete la barra de seguridad (Fig. 15).

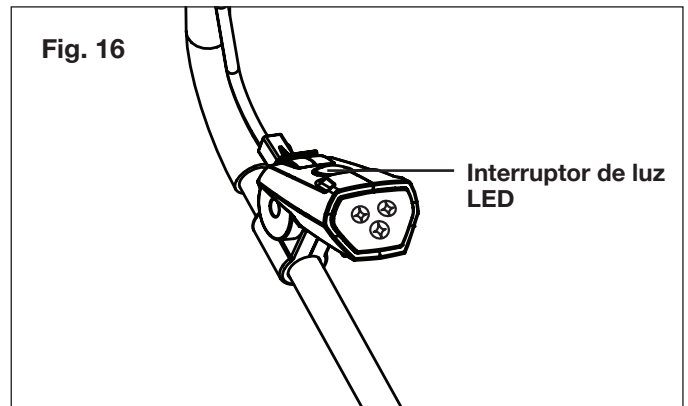


2. Una vez que el quitanieve arranque, suelte el botón interruptor de seguridad y proceda con la operación.
3. Para apagarlo, suelte la barra interruptora.

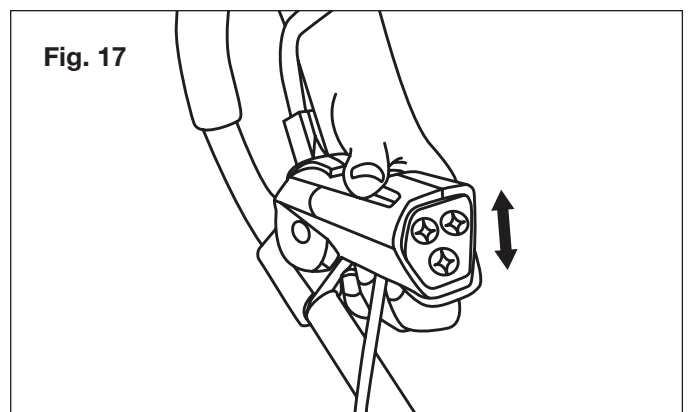
Uso de la luz LED

1. Para usar la luz LED durante trabajos nocturnos de retiro de nieve, active el interruptor de luz LED ubicado en el soporte de la barra interruptora (Fig. 16).

NOTA: después de acabar de usar su quitanieve, no se olvide de APAGAR el interruptor de luz.



2. La luz LED puede ser ajustada moviéndola hacia arriba o hacia abajo, tal como se muestra (Fig. 17).



¡ADVERTENCIA!



Los cables eléctricos dañados representan un riesgo de incendio, choque eléctrico y lesiones corporales severas.

Antes de operar el quitanieve, examine cuidadosamente el cable eléctrico. Si el cable está dañado, no utilice el quitanieve. Reemplace o repare el cable dañado inmediatamente. Si necesita ayuda, contacte a un centro de servicio autorizado Snow Joe® + Sun Joe®.

Encendido y apagado

¡ADVERTENCIA! El rotor empieza a girar inmediatamente después de que el quitanieve se enciende. Mantenga las manos y pies alejados de la barrena.

Movimiento de la máquina y retiro de nieve



¡ADVERTENCIA!



Objetos extraños como piedras, vidrios rotos, clavos, alambres o cuerdas pueden ser recogidos y arrojados por el quitanieve, causando lesiones personales severas.

Retire todos los objetos extraños del área a ser trabajada antes de operar el quitanieve.

1. Mantenga el área de operación libre de objetos extraños que puedan ser arrojados por las cuchillas del rotor. Lleve a cabo una inspección completa del área, ya que algunos objetos pueden estar ocultos a la vista por la nieve que los rodea. Si el quitanieve golpea una obstrucción o recoge un objeto extraño durante su uso, detenga el quitanieve, desconecte el cable de extensión, retire la obstrucción e inspeccione la unidad para ver si se ha dañado. Repare o reemplace cualquier parte dañada antes de volver a encender y operar la unidad.
2. Mantenga a las mascotas, niños y espectadores alejados del área de trabajo. Tenga en cuenta que el ruido normal de la máquina al ser encendida puede hacer difícil para usted oír a la gente acercándose.
3. Al mover el quitanieve, use las ruedas en un lado como punto de pivote. Incline ligeramente el quitanieve sobre este punto de pivote para moverlo hacia adelante o hacia atrás.
4. Empiece su ruta de limpieza cerca al tomacorriente y trabaje hacia afuera, lanzando la nieve en un movimiento hacia adelante y hacia atrás. Para despejar en la dirección opuesta, pase por sobre el cable y gire el quitanieve sobre sus ruedas. Asegúrese de superponer las rutas de limpieza.
5. Tenga en cuenta la dirección del viento. De ser posible, muévase en la misma dirección que el viento, de manera que la nieve no sea lanzada contra el viento (y por tanto hacia su cara y por sobre la ruta recién despejada).
6. Mientras mueva el quitanieve, no tire del cable de alimentación violentamente ni lo arrastre bruscamente. El quitanieve deberá moverse dentro del rango que el cable pueda alcanzar de forma segura.
7. No empuje el quitanieve con demasiada fuerza. Usted debe empujar la máquina cuidadosamente y de forma uniforme, de acuerdo con la velocidad de lanzamiento de la máquina.
8. No aplique una carga humana adicional al motor ya que puede causar daños a éste.
9. Algunas partes del quitanieve se pueden congelar bajo condiciones de temperatura extremas. No intente operar

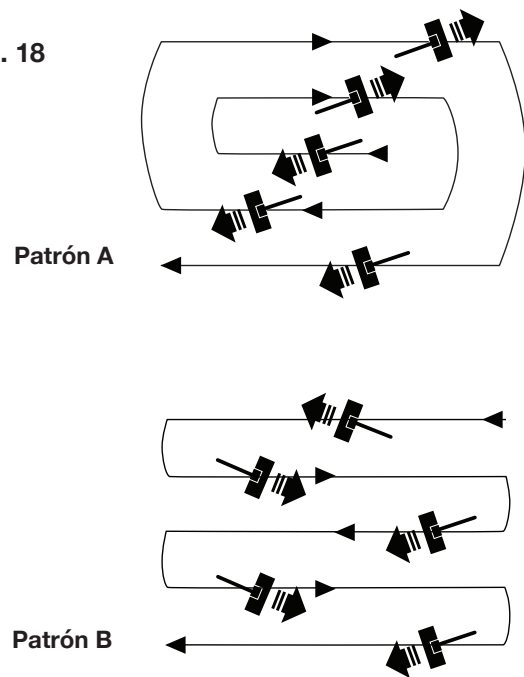
el quitanieve con partes congeladas. Si las partes se congelan mientras el quitanieve está siendo usado, detenga el quitanieve, desenchufe el cable de extensión e inspeccione las partes congeladas. Libere todas las partes antes de volver a encender u operar el quitanieve. Nunca fuerce los controles que se hayan congelado.

10. Al trabajar sobre piedras, grava o superficies sin pavimentar, evite lanzar materiales sueltos de superficie junto con la nieve empujando hacia abajo el mango y así levantar la barra raspadora en la base de la unidad por sobre las piedras o grava.
11. Para áreas más grandes, se requiere un patrón definido de operación para despejar bien un área con nieve. Estos patrones evitarán el lanzamiento de nieve en lugares no deseados, eliminando la necesidad de una segunda pasada para quitar nieve (Fig. 18).

Patrón A: lance la nieve hacia la derecha o izquierda, donde sea posible. Para áreas como una entrada para vehículos larga, es ventajoso empezar en el medio. Despeje desde un extremo al otro, lanzando nieve a ambos lados.

Patrón B: si la nieve puede solo ser lanzada a un lado del área a ser despejada, empiece en el lado opuesto.

Fig. 18



Cambio de la dirección y altura de lanzado

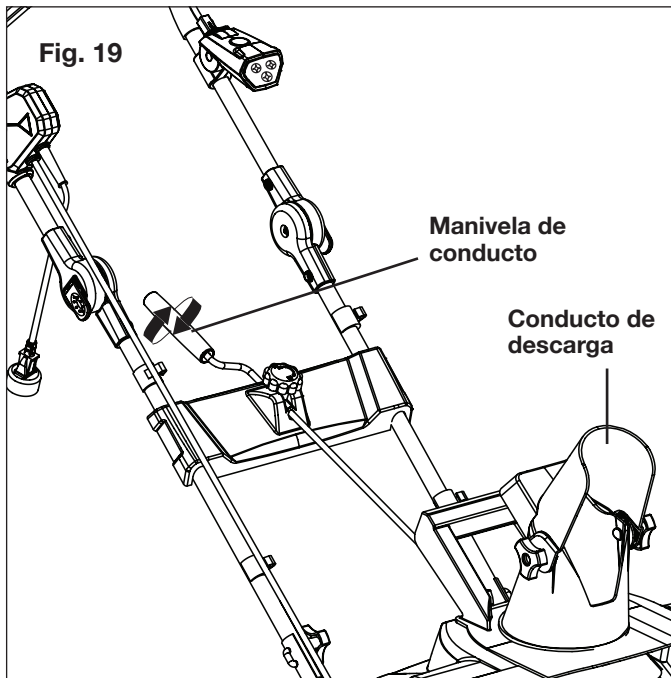


¡ADVERTENCIA!

Nunca apunte el conducto de descarga de nieve al operador, espectadores, vehículos o ventanas cercanas. Los objetos extraños lanzados junto con la nieve accidentalmente por el quitanieve pueden causar daños y lesiones personales severas.

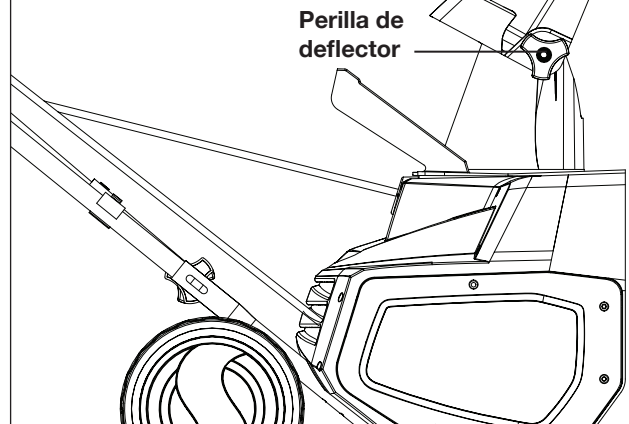
Siempre oriente el conducto de descarga a la dirección opuesta a donde usted, los espectadores, vehículos y ventanas en los alrededores estén ubicados.

1. El conducto de descarga puede ser ajustado 180 grados girando la manivela del conducto. Gire la manivela de control de conducto en sentido horario para mover el conducto de descarga hacia la izquierda y en sentido antihorario para mover el conducto a la derecha (Fig. 19).



2. El deflector del conducto en la parte superior del conducto de descarga controla la altura del flujo de nieve. Afloje las perillas para levantar o bajar el deflector a la altura deseada de nieve que usted desee lanzar. Apriete las perillas para asegurar el deflector (Fig. 20).

Fig. 20



¡ADVERTENCIA!

Asegúrese de que el deflector del conducto se enganche y trabe completamente sobre el conducto de descarga. Una abertura entre el conducto de descarga y el deflector del conducto puede permitir que objetos extraños sean recogidos y lanzados por el quitanieve en la dirección del operador, causando lesiones corporales severas.

- No avance el deflector del conducto demasiado hacia adelante provocando que aparezca una abertura entre el deflector y el conducto de descarga.
- No apriete demasiado las perillas en el deflector del conducto.

Mantenimiento



¡ADVERTENCIA!

Asegúrese de apagar el interruptor y desconecte el cable de extensión antes de llevar a cabo cualquier tarea de mantenimiento en su quitanieve.

Lubricación de por vida (motor y barrena)

La lubricación no es necesaria y puede dañar la unidad. El quitanieve ha sido lubricado en la fábrica para un uso de por vida antes de ser transportado.

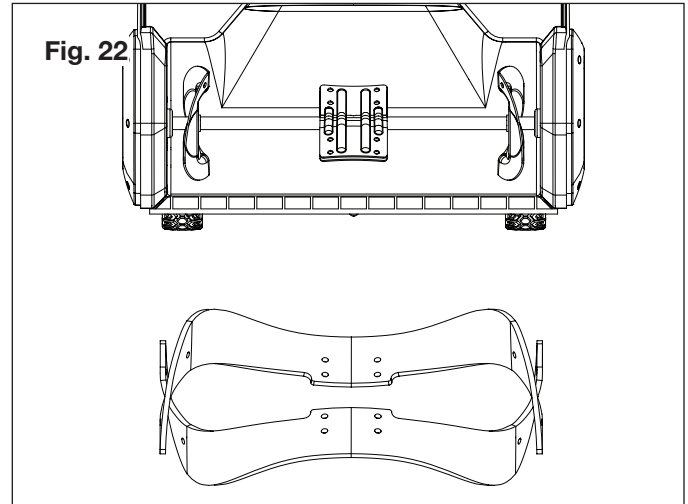
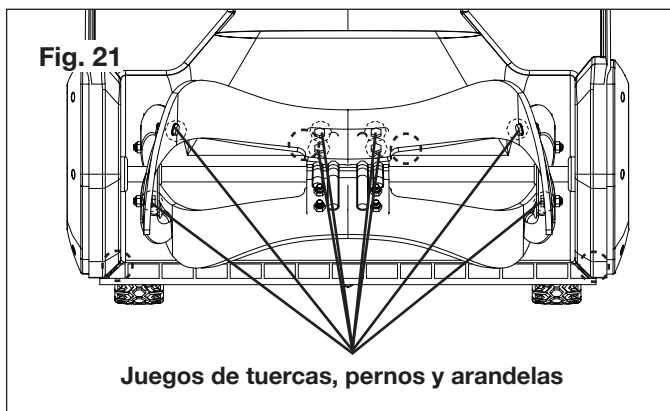
Consejos generales de mantenimiento

1. No intente reparar la máquina a no ser que usted tenga las herramientas e instrucciones apropiadas para desarmarla y repararla.
2. Verifique los pernos y tornillos en intervalos frecuentes para un ajuste correcto y asegurarse de que el equipo esté en una condición de trabajo segura.
3. Después de cada sesión de retiro de nieve, mantenga el quitanieve funcionando por unos minutos más para evitar que el colector y el rotor se congelen. Apague el motor, espere que todas las partes se hayan detenido por completo y retire el hielo y nieve residuales de la unidad. Gire la manivela del conducto varias veces para retirar cualquier exceso de nieve.
4. Use un paño empapado con agua caliente y un cepillo suave para limpiar el quitanieve. ¡Nunca moje la máquina ni la rocíe con agua!
5. No use detergentes o solventes ya que pueden causar daños irreparables al quitanieve. Los agentes químicos pueden dañar las partes de plástico.
6. Para proteger el quitanieve contra la corrosión al guardarlo por periodos prolongados, aceite ligeramente las partes de metal.
7. Guarde el quitanieve en un área seca, lejos del alcance de los niños.
8. Para la seguridad del usuario, las partes dañadas o gastadas deben ser reemplazadas. Reemplace solo con partes de repuesto originales. Las partes de otro quitanieve pueden no encajar adecuadamente y causar una situación insegura.

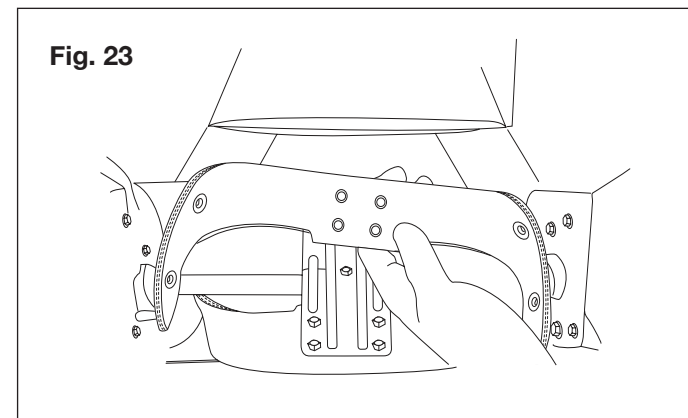
Reemplazo de las placas de goma

NOTA: al reemplazar placas de goma gastadas, preste atención a cualquier tipo diferente de perno o tuerca, y dónde estén colocados. Esto asegurará que las nuevas placas de goma estén instaladas de forma correcta y segura.

1. Quite la placa de goma gastada retirando los juegos de tuercas, pernos y arandelas empleados para asegurarla. (Figs. 21 – 22).

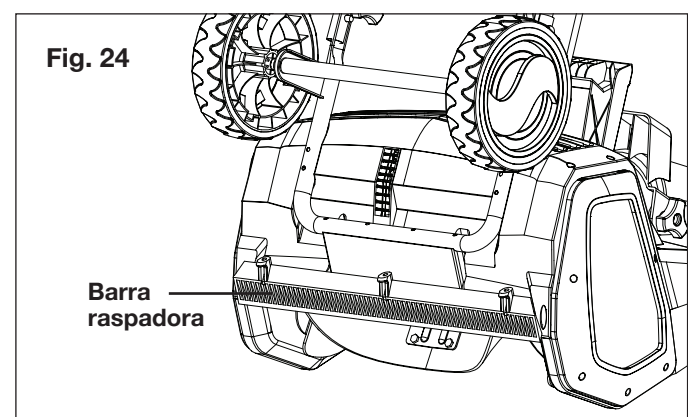


2. Instale la primera placa de goma de repuesto e inserte el perno apropiado en cada orificio correspondiente a cada parte de la placa de goma. Asegúrese de que las contratuercas estén firmemente ajustadas a los pernos.
3. Instale la otra placa de goma de la misma manera (Fig. 23).

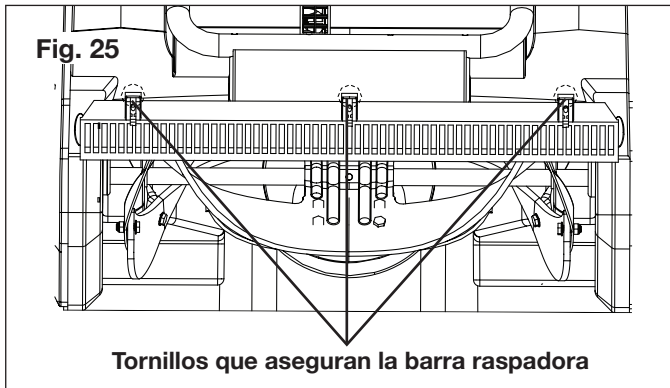


Reemplazo de la barra raspadora

1. La barra raspadora está localizada en la base del quitanieve, debajo de la carcasa del rotor (Fig. 24).



2. Retire los tornillos que aseguran la barra raspadora al quitanieve (Fig. 25).



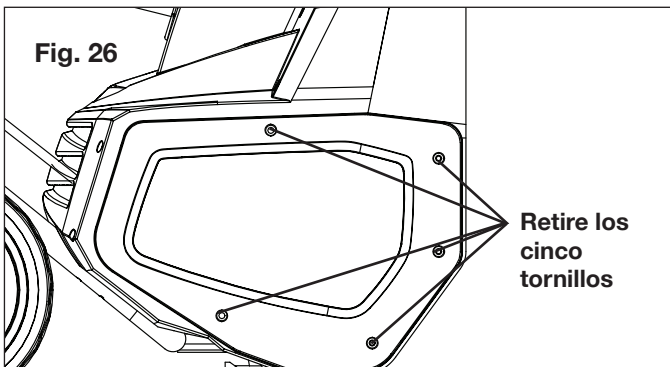
3. Instale la nueva barra raspadora y ajústela bien al quitanieve con los tornillos.

Reemplazo de la correa

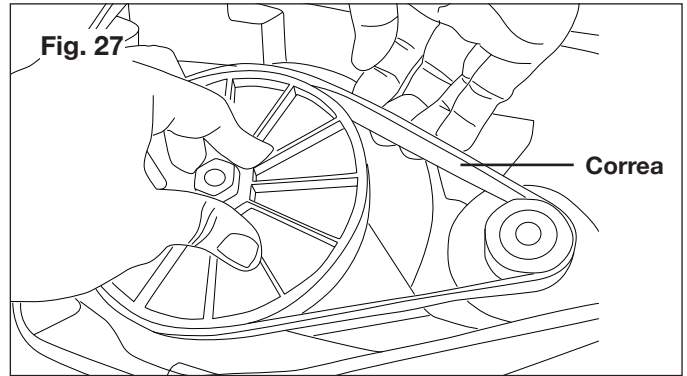
NOTA: bajo condiciones normales de operación, no será necesario reemplazar la correa de la barrena. Sin embargo, en caso de que el rotor se atasque o falle, la correa puede dañarse. Para reemplazar la correa, siga las instrucciones a continuación.

NOTA: determine los lados de la mano izquierda y derecha del quitanieve poniéndose de pie detrás de la unidad, en la posición normal de operación.

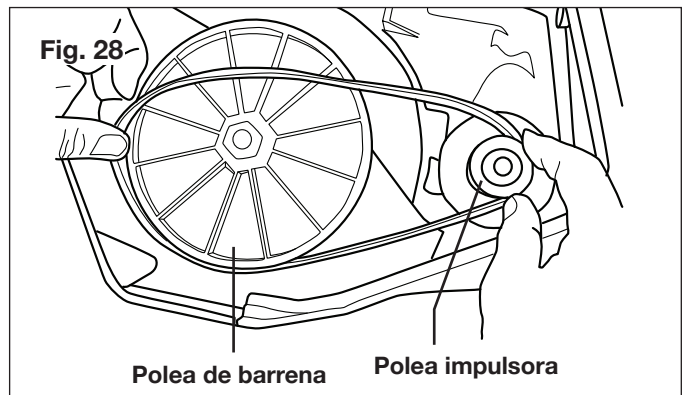
1. Abra la placa de la izquierda retirando cinco tornillos (Fig. 26).



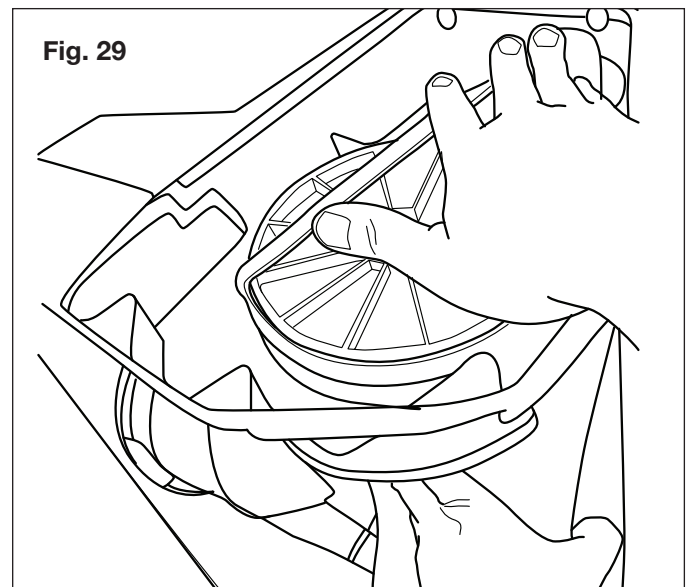
2. Use su mano derecha para doblar hacia arriba el lado con pliegues de la correa y jale la correa hacia arriba mientras gira la polea del rotor en sentido anti-horario con su mano izquierda. La correa puede ser fácilmente retirada desde la polea (Fig. 27).



3. Coloque la correa en la polea impulsora primero y luego coloque la correa en el extremo inferior de la polea de barrena (Fig. 28).



4. Use su mano derecha para presionar la correa con el lado con pliegues hacia abajo. Mientras sujeta la correa hacia abajo con su mano derecha, use su mano izquierda para girar la barrena hacia adelante de manera que la polea de la barrena gire en dirección horaria. La correa será gradualmente empujada hacia abajo, hacia la polea. Cuando la correa está asentada en la polea, ajústela de manera que los pliegues de la correa encajen en las ranuras de la polea (Fig. 29).

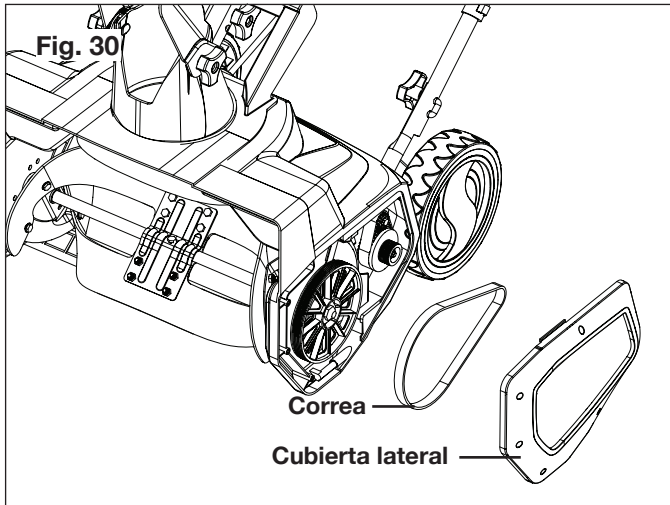


- Luego de que la correa es instalada, vuelva a colocar la placa lateral y asegúrela con los cinco tornillos (Fig. 26).

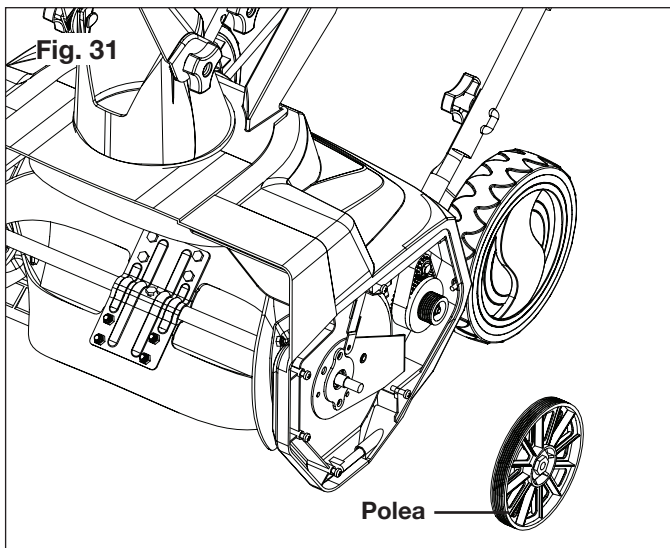
NOTA: la nieve mojada y pesada aplica una gran carga en las correas, requiriendo por tanto un reemplazo más frecuente de correas.

Reemplazo de la polea

- Abra la placa de la izquierda retirando los cinco tornillos (Fig. 26). Retire la correa siguiendo las instrucciones anteriores (Fig. 30).



- Sujete el rotor. Usando una llave de dado hexagonal de 18 mm, gire la polea en sentido horario para retirarla (Fig. 31).



- Siga las instrucciones a la inversa para instalar la nueva polea.

Almacenamiento

- Permita que el motor se enfríe completamente antes de limpiar, guardar o transportar el quitanieve. Asegúrese de sujetar de forma segura la unidad durante su transporte.
- Desconecte el cable de extensión del quitanieve. Inspeccione el cable de extensión cuidadosamente en busca de señales de desgaste o daños. Reemplácelo si está gastado o dañado.
- Inspeccione la sopladora de nieve cuidadosamente para detectar partes gastadas, sueltas o dañadas. Verifique las conexiones y tornillos, y ajústelos de ser necesario. Para reparar o reemplazar partes, contacte a su concesionario autorizado Snow Joe® + Sun Joe® o al centro de servicio al cliente Snow Joe® + Sun Joe® llamando al 1-866-SNOWJOE (1-866-766-9563).
- Guarde la unidad junto con el cable de extensión desconectado en un lugar seco y bajo llave, lejos del alcance de los niños, para prevenir daños o usos no autorizados. Cubra holgadamente la unidad con una lona para una mayor protección.

Asistencia y servicio

Si su quitanieve SJ625E de Snow Joe® requiere reparaciones o mantenimiento, por favor llame al 1-866-SNOWJOE (1-866-766-9563) para asistencia.

Modelo y número de serie

Al contactar a la empresa o al ordenar partes de repuesto, usted necesitará proveer el modelo y el número de serie, los cuales se encuentran en la etiqueta sobre la cubierta principal de la unidad, a la izquierda del conducto de descarga. Copie estos números en el espacio proporcionado a continuación.

Registre los siguientes números que se encuentran en la carcasa o mango de su nuevo producto:

Nº de modelo:

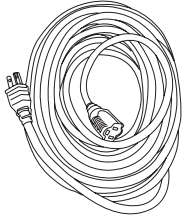
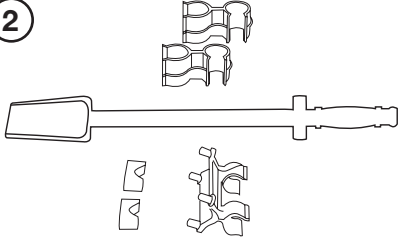
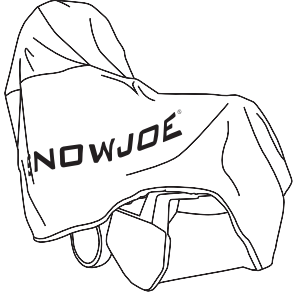
S | J | 6 | 2 | 5 | E | | | | | | | | | | |

Nº de serie:

| | | | | | | | | | | | | | | | | | | | | |

Accesorios

⚠ ¡ADVERTENCIA! USE SIEMPRE solo partes de repuesto y accesorios Snow Joe® + Sun Joe®. NUNCA use partes de repuesto o accesorios que no estén destinados para su uso con este quitanieve. Comuníquese con Snow Joe® + Sun Joe® si tiene dudas sobre si es seguro usar una parte de repuesto o accesorio en particular con su quitanieve eléctrico. El uso de cualquier otro accesorio o parte puede ser peligroso y puede causar lesiones personales o daños mecánicos.

Accesorio	Descripción	Modelo
<p>①</p> 	<p>Cable de extensión de 50 pies y calibre 14 Snow Joe® + Sun Joe® SJTW-A con extremo iluminado</p>	<p>PJEXT50-B</p>
<p>②</p> 	<p>Herramienta Universal de Limpieza de Conducto de Quitanieve</p>	<p>SJCOT</p>
<p>③</p> 	<p>Cubierta protectora universal de 21 plg para quitanieve</p>	<p>SJCVR-21</p>

NOTA: los accesorios están sujetos a cambios sin obligación alguna por parte de Snow Joe® + Sun Joe® de notificar sobre dichos cambios. Los accesorios pueden ser pedidos en línea en www.snowjoe.com o vía telefónica llamando al centro de servicio al cliente Snow Joe® + Sun Joe® al 1-866-SNOWJOE (1-866-766-9563).



LA PROMESA DE SNOW JOE® + SUN JOE® AL CLIENTE

POR SOBRE TODO, en Snow Joe, LLC (“Snow Joe”) estamos dedicados a usted, nuestro cliente. Nos esforzamos por hacer que su experiencia sea lo más placentera posible. Desafortunadamente, hay veces en que un producto Snow Joe®, Sun Joe®, o Aqua Joe® (el “Producto”) no funciona o sufre un desperfecto bajo condiciones normales de operación. Creemos que es importante que usted sepa que puede confiar en nosotros. Es por eso que tenemos esta Garantía Limitada (la “Garantía”) para nuestros Productos.

NUESTRA GARANTÍA:

Snow Joe garantiza que sus Productos motorizados y no motorizados, nuevos y genuinos, están libres de defectos materiales o de mano de obra al ser usados en tareas domésticas normales durante un periodo de dos (2) años a partir de la fecha de compra por parte del comprador original y usuario final, cuando este último los compra a través de Snow Joe o un vendedor autorizado por Snow Joe y ha obtenido un comprobante de compra. Ya que Snow Joe no puede controlar la calidad de sus Productos vendidos por vendedores no autorizados, a menos que la ley lo prohíba esta Garantía no cubre Productos adquiridos a través de vendedores no autorizados. Si su Producto no funciona, o hay un problema con una parte específica que está cubierta por los términos de esta Garantía, Snow Joe elegirá entre: (1) enviarle una parte de repuesto gratuita; (2) reemplazar el Producto con uno nuevo o similar sin costo alguno; o (3) reparar el Producto. ¡Un excelente soporte!

Esta Garantía le da derechos legales específicos, y usted puede también tener otros derechos según el Estado.

REGISTRO DEL PRODUCTO:

Snow Joe le recomienda enfáticamente registrar su Producto. Usted puede registrar su Producto en línea visitando snowjoe.com/register, imprimiendo y enviando por correo una tarjeta de registro disponible en línea en nuestro sitio Web, llamando a nuestra central de servicio al cliente al **1-866-SNOWJOE (1-866-766-9563)**, o enviándonos un e-mail a help@snowjoe.com. Si usted no registra su Producto sus derechos de garantía no disminuirán; sin embargo, registrar su Producto permitirá que Snow Joe le pueda atender mejor si usted tiene alguna necesidad como cliente.

¿QUIÉN PUEDE SOLICITAR COBERTURA DE GARANTÍA LIMITADA?

Esta Garantía es otorgada por Snow Joe al comprador original y propietario original del Producto.

¿QUÉ NO ESTÁ CUBIERTO?

Esta Garantía no se aplica si el Producto ha sido usado de forma comercial o en aplicaciones no domésticas o de alquiler. Esta Garantía tampoco se aplica si el Producto fue adquirido desde un vendedor no autorizado. Esta garantía tampoco cubre cambios cosméticos que no afecten el funcionamiento del Producto. Las partes desgastables como correas, brocas y cuchillas no están cubiertas por esta Garantía, y pueden ser compradas visitando snowjoe.com o llamando al **1-866-SNOWJOE (1-866-766-9563)**.



SNOWJOE®

FR

SOUFFLEUSE À NEIGE ÉLECTRIQUE

53 cm | 15 A | PHARE DEL

MANUEL D'UTILISATION

Une division de Snow Joe®, LLC

Modèle SJ625E

Formulaire n° SJ-SJ625E-880F-MR8

IMPORTANT!


Consignes de sécurité

Tous les utilisateurs doivent lire ces instructions avant d'utiliser la machine

Tout appareil électrique peut être dangereux s'il est mal utilisé. Certaines des consignes de sécurité contenues dans ce manuel s'appliquent généralement à de nombreux outils et machines. D'autres avertissements sont spécifiques à l'utilisation de cette souffleuse à neige. Conservez ce manuel pour y faire référence dans le futur.

AVERTISSEMENTS d'ordre général en matière de sécurité!

Vous-même, ainsi que tout autre utilisateur de cette souffleuse à neige, devez lire, comprendre et observer ces instructions dans leur intégralité. Vous devez les lire à nouveau au début de chaque saison hivernale. Le non-respect de ces consignes de sécurité pourrait être à l'origine de DÉCHARGES ÉLECTRIQUES, d'un INCENDIE et/ou de GRAVES BLESSURES.

Prenez note du symbole d'alerte de sécurité personnelle  utilisé dans ce manuel pour attirer votre attention sur un AVERTISSEMENT s'appliquant à une consigne d'utilisation particulière. Ce symbole indique que cette utilisation nécessite d'être particulièrement VIGILANT, de prendre des PRÉCAUTIONS et d'être CONSCIENT DES DANGERS.

- Maintenez la zone de travail propre et bien éclairée.**
Les endroits encombrés et sombres sont propices aux accidents.
- N'utilisez pas la souffleuse à neige quand l'atmosphère est explosive**, par exemple en présence de liquides inflammables, de gaz ou de poussière. Les appareils électriques produisent des étincelles qui peuvent enflammer la poussière ou les vapeurs.
- Maintenez les spectateurs, les enfants et les animaux familiers à bonne distance de la zone de travail.**
Souvenez-vous que le volume sonore normal de la machine en marche peut vous empêcher d'entendre facilement des personnes s'approchant. Les spectateurs doivent porter des lunettes de protection et être maintenus à bonne distance de la zone de travail. Ne

laissez pas les spectateurs toucher la souffleuse à neige ou la rallonge électrique.

- Les fiches électriques doivent correspondre à la prise.**
N'apportez aucune modification, quelle qu'elle soit, à la fiche. N'utilisez pas de fiche d'adaptation avec les outils ou machines mis à la terre. Des fiches non modifiées et des prises correspondantes réduiront le risque d'électrocution.
- Évitez tout contact du corps avec la surface d'objets mis à la terre** (p. ex., conduites d'eau supérieures ou inférieures, radiateurs, fourneaux de cuisine, réfrigérateurs, fours à micro-ondes et enveloppes externes de matériel de chauffage). Prenez les précautions qui s'imposent pour éviter les électrocutions. Il y a un risque accru d'électrocution si votre corps est relié à la terre.
- N'utilisez pas le cordon à mauvais escient.** Maintenez le cordon éloigné de toute source de chaleur, de l'huile, des arêtes tranchantes ou des pièces en mouvement. Ne tirez jamais le chargeur par le cordon et ne tirez pas brusquement sur le cordon pour le retirer de la prise. Les cordons endommagés ou emmêlés augmentent le risque d'électrocution.
- Remplacez ou réparez correctement tout cordon endommagé.** Si le cordon est endommagé d'une façon ou d'une autre pendant qu'il est branché dans une prise murale, retirez-le immédiatement de la prise.
- Tout contact avec de l'eau quand vous utilisez la souffleuse à neige peut entraîner une électrocution ou de graves blessures.** N'utilisez pas la souffleuse à neige dans les endroits humides ou mouillés ou sous la pluie. Ne touchez pas la machine ou sa prise de courant les mains mouillées ou les pieds dans l'eau.
- AVERTISSEMENT – Utiliser des rallonges électriques pour l'extérieur et marquées SW-A, SOW-A, STW-A, STOW-A, SJW-A, SJTW-A ou SJTOWA.** Ces rallonges sont prévues pour une utilisation à l'extérieur et réduisent le risque d'électrocution.
- Éteignez l'interrupteur et débranchez le cordon d'alimentation avant de procéder à tout réglage sur la machine et avant d'inspecter, d'intervenir sur la machine, de changer des accessoires ou de la nettoyer.** Suivez la même procédure si toute autre situation dangereuse se présente pendant que vous utilisez la machine. Tous les réglages sur la machine doivent être effectués une fois que les pièces en rotation à l'intérieur de la souffleuse à neige se sont complètement arrêtées. Ces mesures préventives de sécurité visent à réduire le risque de démarrage accidentel de l'outil électrique.

11. Si vous constatez que le cordon d'alimentation ou la rallonge électrique sont endommagés, veuillez débrancher immédiatement la fiche de la prise secteur. Au besoin, réparez le cordon ou remplacez-le.
12. Quand vous remplacez une pièce, quelle qu'elle soit, vous devez strictement observer les instructions et les procédures décrites dans ce manuel d'utilisation. Des précautions spéciales doivent être prises pour les pièces en caoutchouc dans la mesure où ces pièces peuvent surcharger le moteur et réduire sa puissance mécanique si elles sont endommagées.
13. Ne déplacez pas la souffleuse à neige ou ne la transportez pas quand elle est branchée sur le secteur et quand l'interrupteur est ouvert.
14. Si, pendant l'utilisation, vous notez que le moteur de la machine tourne de façon irrégulière ou si vous entendez des bruits anormaux provenant du moteur, arrêtez la machine, débranchez-la immédiatement du secteur et communiquez avec un centre d'entretien et de réparation Snow Joe® + Sun Joe® agréé.

Sécurité électrique

1. Des dispositifs de protection contre les défauts de terre (disjoncteurs de fuite de terre) doivent être fournis sur le(s) circuit(s) ou la(les) prise(s) utilisés pour la souffleuse à neige. Des prises intégrant un disjoncteur de fuite de terre sont disponibles et peuvent être utilisées pour répondre à cette mesure de sécurité.
2. Pour éviter les décharges électriques, utiliser uniquement une rallonge électrique appropriée pour l'extérieur, par exemple SW-A, SOW-A, STW-A, STOW-A, SJW-A, SJOW-A, SJTW-A ou SJTOW-A.

Avant son utilisation, vérifier que la rallonge électrique est en bon état. Si on utilise une rallonge électrique, s'assurer qu'elle soit de calibre suffisant pour le courant que l'outil va consommer. Une rallonge sous-dimensionnée provoquera une chute de tension dans les lignes, ce qui entraînera une perte de puissance et une surchauffe.

3. Pour réduire le risque de décharge électrique, cette machine est munie d'une fiche polarisée (c.-à-d., une lame est plus large que l'autre). Utiliser uniquement une rallonge à fiche polarisée, homologuée UL, CSA ou ETL et pour une utilisation à l'extérieur et tout temps. La fiche de la machine ne s'insère que d'une seule façon dans une rallonge à fiche polarisée.

Si la fiche de la machine ne rentre pas complètement dans la rallonge, l'inverser. Si la fiche ne s'insère toujours pas, se procurer une rallonge à fiche polarisée. Une rallonge à fiche polarisée nécessite l'utilisation d'une prise murale polarisée. La fiche polarisée de la rallonge ne s'insère que d'une seule façon dans la prise murale polarisée. Si la fiche ne rentre pas complètement dans la prise murale, l'inverser. Si la fiche ne s'insère toujours pas, communiquer avec un électricien qualifié pour qu'il pose une prise adéquate. Ne modifier en aucune façon la fiche de la machine, la prise de la rallonge ou la fiche de la rallonge.

⚠ AVERTISSEMENT ⚠

Toute électrocution peut entraîner des BLESSURES GRAVES pouvant même être FATALES. Tenir compte de ces avertissements :

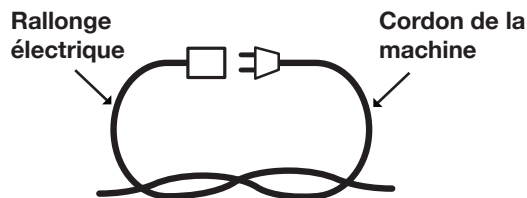
- Ne laisser aucune partie de la souffleuse à neige entrer en contact avec de l'eau pendant son utilisation. Si la machine se mouille lorsqu'elle n'est pas sous tension, l'essuyer avant de la redémarrer.
- Utiliser uniquement une rallonge électrique homologuée UL, CSA ou ETL, recommandée pour une utilisation à l'extérieur et tout temps, par exemple la rallonge électrique 50 pieds de calibre 14 Snow Joe® + Sun Joe® SJTW-A dont les extrémités s'éclairent quand elle est sous tension (modèle PJEXT50-B). Visiter snowjoe.com pour acheter en ligne cette rallonge électrique ou, pour la commander par téléphone, appeler le 1-866-SNOWJOE (1-866-766-9563).
- Ne pas utiliser de rallonge électrique d'une longueur supérieure à 30 m.
- Ne pas toucher la machine ou sa prise de courant les mains mouillées ou les pieds dans l'eau. Le port de bottes de caoutchouc offre une certaine protection.

TABLEAU - RALLONGE ÉLECTRIQUE

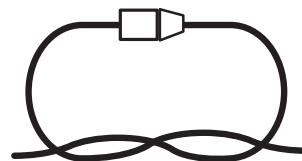
Longueur de la rallonge électrique	Jusqu'à 15 m	+15 m -30 m
Calibre de fil (AWG) :	14	12

4. Pour empêcher que le cordon de la machine se débranche de la rallonge électrique pendant son utilisation, faire un nœud avec les deux cordons comme cela est illustré Tableau 1.

Tableau 1. Méthode d'attache de rallonge électrique



(A) Nouer les cordons comme sur l'illustration



(B) Brancher la fiche dans la prise

5. Ne pas utiliser le cordon à mauvais escient. Ne jamais tirer la souffleuse à neige par le cordon et ne pas tirer brusquement sur le cordon pour le retirer de la prise. Maintenir le cordon éloigné de toute source de chaleur, de l'huile et des objets tranchants.

Sécurité personnelle

1. **Restez vigilant** – Surveillez ce que vous faites et faites preuve de bon sens quand vous utilisez la souffleuse à neige. N'utilisez pas la machine si vous êtes fatigué ou si vous avez consommé de l'alcool, de la drogue ou des médicaments. Un moment d'inattention peut se traduire par de graves blessures.
2. **Habillez-vous en conséquence** – Le port de bottes de caoutchouc offre une protection supplémentaire contre les décharges électriques. Ne portez pas de vêtements amples ou de bijoux qui pourraient se prendre dans la machine. Couvrez vos cheveux pour les protéger et les empêcher de se prendre dans les pièces en rotation de la machine. Les lunettes de sécurité offrent une meilleure protection que les lunettes classiques.
3. **Les pièces en mouvement présentent des risques** – Maintenez le visage, les cheveux, les vêtements, les mains et les pieds éloignés de toutes les pièces en mouvement. Toutes les protections et tous les accessoires de sécurité doivent être convenablement posés avant d'utiliser la machine. Arrêtez la machine et débranchez le cordon d'alimentation avant de toucher les pièces autres que les poignées et l'interrupteur.
4. **Surfaces** – Cette souffleuse à neige est destinée à être utilisée sur des surfaces pavées. Ne l'utilisez pas sur du gravier, de la pierre ou sur d'autres surfaces non pavées, à moins que la souffleuse à neige soit réglée pour ce type de surface conformément aux instructions fournies dans ce manuel d'utilisation.
5. **Évitez tout démarrage accidentel** – Avant de brancher la machine, assurez-vous que l'interrupteur est sur la position d'arrêt. Ne transportez pas la souffleuse à neige en maintenant le doigt sur l'interrupteur.
6. **Position du corps** – Restez en permanence sur vos deux pieds et ne perdez pas l'équilibre. Les talons bien posés sur le sol, saisissez fermement la poignée. Ne vous laissez pas surprendre par un terrain accidenté et ne vous arc-boutez pas. Si vous chutez ou si vous heurtez la souffleuse à neige, inspectez la machine et vérifiez la présence éventuelle de dommages ou de fissures. Quand vous reculez, veillez à éviter tout obstacle sous vos pieds ou derrière vous pour éviter de chuter.
7. **Si la souffleuse à neige heurte un corps étranger, arrêtez-la immédiatement puis inspectez-la pour vérifier qu'elle n'est pas endommagée.** – Réparez tout dommage avant de redémarrer et d'utiliser la souffleuse à neige.

Consignes de sécurité pour les souffleuses à neige poussées













- **Lisez attentivement le manuel d'utilisation** – Apprenez comment utiliser votre souffleuse à neige et ses limites, ainsi que les dangers potentiels spécifiques que présente cette machine. N'utilisez pas cette machine pour des travaux autres que ceux pour lesquels elle a été conçue. Sinon, elle pourrait présenter des défauts mécaniques ou être à l'origine de graves dommages matériels ou corporels.
- **Inspection préliminaire de la machine** – Inspectez méticuleusement la souffleuse à neige avant de l'utiliser. Assurez-vous que toutes les pièces soient bien attachées et posées correctement. Si vous remarquez quoi que ce soit d'anormal, n'utilisez pas la machine tant qu'elle n'a pas été réparée convenablement. Pour vous assurer que la machine fonctionne correctement, effectuez toujours un essai la première fois que vous utilisez la souffleuse à neige ou après avoir remplacé des pièces.
- **Inspection préliminaire de la zone de travail** – Nettoyez la zone à déneiger avant chaque utilisation. Retirez tout ce qui pourrait être projeté par la souffleuse à neige ou qui pourrait se prendre dedans, par exemple des roches, des éclats de verre, des clous, des fils ou ficelles. Dans la zone d'intervention, maintenez à bonne distance tout spectateur, en particulier les enfants et les animaux domestiques.
- **Force excessive** – Pour un niveau de sécurité et de rendement optimal, la souffleuse à neige a été conçue pour maintenir une certaine puissance, quel que soit l'état de la neige à déblayer. Poussez-la sans forcer et sans à-coups.
- **Mauvais fonctionnement de l'interrupteur** – N'utilisez pas la souffleuse à neige si l'interrupteur marche-arrêt ne fonctionne pas. Toute appareil électrique qui ne répond pas à l'interrupteur est dangereux et doit être réparé.
- **Heurt d'un corps étranger** – Si la souffleuse à neige heurte accidentellement un corps étranger, suivez ces étapes :
 - i) arrêtez la souffleuse à neige et débranchez-la;
 - ii) vérifiez si la machine n'est pas endommagée;
 - iii) réparez ou remplacez toute pièce endommagée avant de redémarrer et d'utiliser à nouveau la souffleuse à neige.
- **Sécurité de la goulotte d'éjection** – N'orientez jamais la goulotte d'éjection vers l'utilisateur de la machine, des spectateurs, des véhicules ou des fenêtres. Les projections de neige et de tout ce qui a été accidentellement ramassé par la souffleuse à neige peuvent provoquer de graves dommages matériels et corporels. N'utilisez pas les mains pour déboucher la goulotte d'éjection. Arrêtez le moteur avant de retirer les débris.
- **Portée à bout de bras** – Il est dangereux de porter à bout de bras la souffleuse à neige.
- **Fonctionnement anormal** – Si vous remarquez que le moteur de la souffleuse à neige tourne de façon irrégulière ou si vous entendez des bruits anormaux provenant du moteur, arrêtez immédiatement la machine, débranchez-la et communiquez immédiatement avec un centre d'entretien et de réparation Snow Joe® + Sun Joe® agréé.

- **Lutte contre le bruit** – Quand vous utilisez la souffleuse à neige, vous devez respecter les lois et réglementations locales antibruit ainsi que celles concernant la protection de l'environnement. Pour éviter toute agression sonore, vous devez soigneusement choisir l'heure appropriée à laquelle utiliser la machine et tenir compte des conditions environnementales.
- **Quand le travail est achevé** – Débranchez la souffleuse à neige du secteur si vous ne l'utilisez plus, si vous changez des accessoires et avant d'effectuer tout entretien de la machine.
- **Rangement en sécurité** – Entre chaque utilisation, remisez la souffleuse à neige à l'intérieur dans un endroit sec. Maintenez la machine sous clé dans un endroit où ne peuvent pas accéder les enfants et les utilisateurs non autorisés. Pour éviter des dommages matériels ou corporels, ne rangez pas la machine tant qu'elle est encore branchée sur le secteur.
- **Entretien pour la sécurité et la longévité** – Vérifiez si les pièces en mouvement sont correctement alignées et ne grippent pas, si des pièces sont cassées et toutes les autres conditions pouvant affecter l'utilisation de la machine. Réparez ou remplacez les pièces endommagées avant d'utiliser à nouveau la machine. Utilisez uniquement des pièces de rechange d'origine spécifiquement conçues pour votre modèle. Quand vous remplacez des pièces, vous devez strictement observer les instructions et les procédures décrites dans ce manuel. Des précautions spéciales doivent être prises pour les pièces en caoutchouc dans la mesure où ces pièces peuvent surcharger le moteur et réduire sa puissance mécanique si elles sont endommagées.

Avant d'utiliser la souffleuse à neige, vérifiez toujours que les boulons, les écrous et les boutons sont bien serrés.

Symboles de sécurité

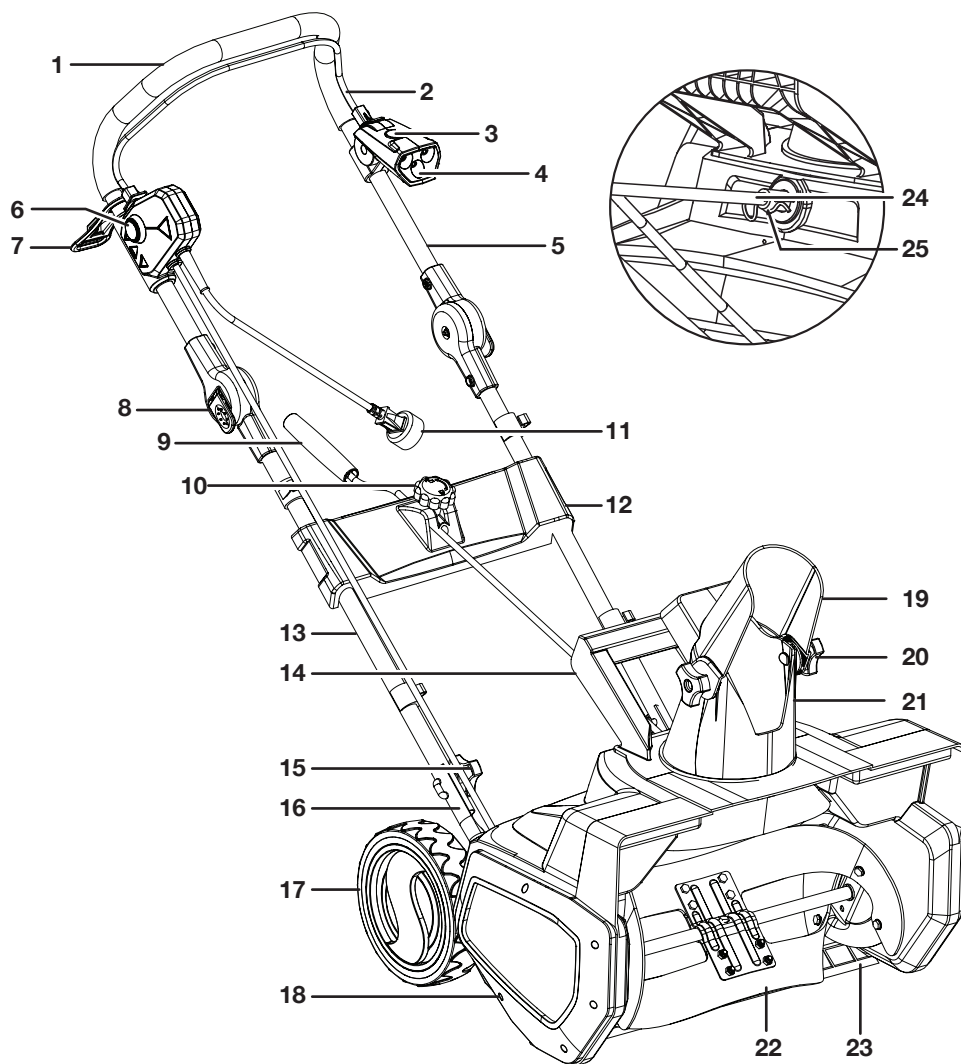
Le tableau suivant décrit et explique les symboles de sécurité pouvant être marqués sur cette machine. Lisez, comprenez et suivez toutes les instructions sur la machine avant d'essayer de procéder à son assemblage et de l'utiliser.

Symboles	Descriptions	Symboles	Descriptions
	LIRE LE OU LES MANUELS D'UTILISATION – Lire, comprendre et suivre toutes les consignes de sécurité du ou des manuels avant d'essayer d'assembler et d'utiliser l'outil.		AVERTISSEMENT! Ne pas utiliser l'outil sous la pluie ou par forte humidité. Garder la machine au sec.
	ALERTE DE SÉCURITÉ – Indique une précaution, un avertissement ou un danger.		DANGER! Danger de coupure/arrachement – Maintenir les pieds éloignés de la tarière rotative.
	Porter des protecteurs d'oreilles. Porter des protecteurs oculaires. Porter un masque respiratoire.		MISE EN GARDE! Attention aux pierres et à d'autres corps étrangers pouvant être rejetés par la machine.
	Pour éviter de se blesser, maintenir les mains, les pieds et les vêtements éloignés de la tarière rotative.		Tous les spectateurs et les enfants doivent être maintenus à bonne distance [au moins 10 m (33 pi)] de la zone de travail.
	Porter des gants de protection et des chaussures antidérapantes pour utiliser la machine et manipuler des débris.		Maintenir les spectateurs et les enfants à une distance de sécurité suffisante.
	Ne pas utiliser les mains pour déboucher la goulotte.		DANGER! Danger de coupure/arrachement – Maintenir les mains éloignées de la tarière rotative. Ne pas utiliser les mains pour déboucher le carter de tarière rotative. Arrêter le moteur avant de retirer des débris.
	Toujours maintenir le cordon d'alimentation éloigné des sources de chaleur, de l'huile ou des arêtes tranchantes. Retirer immédiatement la prise du secteur si la rallonge est endommagée ou emmêlée.		AVERTISSEMENT! Arrêter la machine et la débrancher de la source d'alimentation avant de l'inspecter, de la nettoyer, de changer des accessoires ou de conduire tout autre travail d'entretien.
	Double isolation.		La pièce tournante continuera de tourner plusieurs secondes après avoir arrêté la machine.

Apprenez à mieux connaître votre souffleuse à neige

Lisez attentivement le manuel de l'utilisateur et les consignes de sécurité avant d'utiliser votre souffleuse à neige électrique. Comparez l'illustration ci-dessous avec la machine réelle pour vous familiariser avec l'emplacement des différents réglages et commandes. Conservez ce manuel pour pouvoir vous y reporter dans le futur.

1. Guidon
2. Levier-barre-interrupteur
3. Interrupteur de phare DEL
4. Phare DEL
5. Poignée supérieure
6. Bouton-interrupteur de sécurité
7. Crochet de retenue de rallonge électrique
8. Verrouillage de poignée
9. Levier de commande de goulotte
10. Bouton de réglage de levier de commande
11. Cordon de la machine
12. Support central
13. Assemblage de poignée intermédiaire
14. Poignée auxiliaire
15. Bouton de poignée (2)
16. Poignée inférieure
17. Roues (2)
18. Cache latéral (2)
19. Déflecteur de goulotte
20. Bouton de déflecteur (2)
21. Goulotte d'éjection
22. Tarière
23. Lame de raclage
24. Tige de manivelle
25. Goupille fendue



Données techniques

Moteur	15 A	Phare DEL	3 W
Tension nominale.....	120 V ~ 60 Hz	Largeur de déneigement	53 cm
Régime à vide.....	1 800 tr/min	Profondeur de tranchée de neige.....	30 cm
Rotor.....	Tarière en acier à 2 lames en caoutchouc	Distance de rejet max.	6 m
Dimension des pneus.....	20 cm	Commande directionnelle	Goulotte orientable sur 180°
		Poids net	15,3 kg

Déballage

Contenu de la caisse :

- Souffleuse à neige électrique avec poignée
- Poignée intermédiaire avec support central
- Tige de manivelle avec goupille fendue
- Boutons de poignée/boutons de déflecteur (4)
- Boulons en J à tête carrée (2)
- Boulons de carrosserie (2)
- Rondelles caoutchouc (2)
- Déflecteur de goulotte
- Manuel et carte d'enregistrement

1. Retirez soigneusement la souffleuse à neige électrique de la caisse et inspectez-la pour vérifier que tous les éléments énumérés ci-dessus sont fournis.
2. Inspectez soigneusement le contenu pour vous assurer qu'aucun élément n'a été brisé ou endommagé pendant le transport. Si vous constatez que des pièces manquent ou sont endommagées, NE PAS retourner l'outil au magasin. Veuillez appeler le service clientèle Snow Joe® + Sun Joe® au 1-866-SNOWJOE (1-866-766-9563).

REMARQUE : ne jetez pas la caisse d'expédition et l'emballage tant que vous n'êtes pas prêt à utiliser la souffleuse à neige électrique. L'emballage est fabriqué dans des matériaux recyclables. Éliminez ces matériaux de façon appropriée et conformément à la réglementation ou conservez l'emballage pour le remisage de longue durée de la machine.

IMPORTANT! Le matériel et l'emballage ne sont pas des jouets. Ne laissez pas les enfants jouer avec les sacs en plastique, les feuilles métalliques ou les petites pièces. Ces éléments peuvent être avalés et présentent un danger de suffocation!

Assemblage



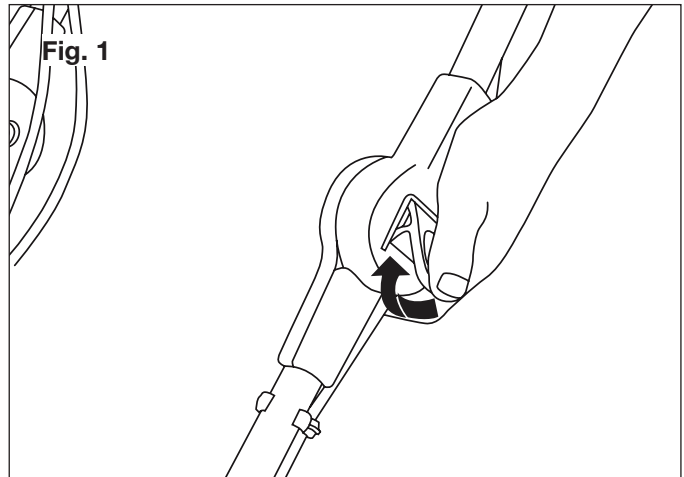
MISE EN GARDE



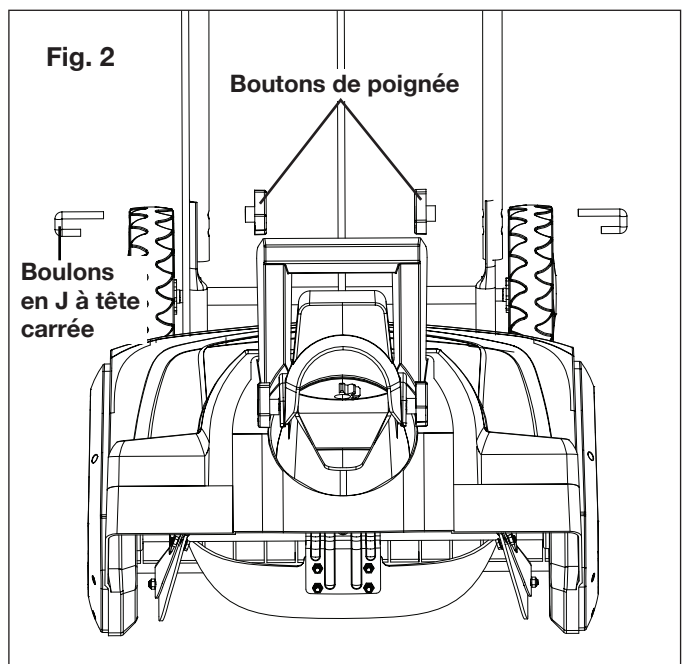
Inspecter le câblage qui, s'il a été endommagé pendant le transport, peut être à l'origine de graves blessures quand on utilise la machine. Si le moindre dommage est constaté ou soupçonné, ne pas procéder à l'assemblage. Appeler plutôt le service clientèle Snow Joe® + Sun Joe® au 1-866-SNOWJOE (1-866-766-9563) pour de l'aide. Procéder à l'assemblage avec précautions pour ne pas endommager le câblage.

Assemblage des cadres supérieur, intermédiaire et inférieur

1. Attachez ensemble l'assemblage de poignée intermédiaire à la poignée supérieure en fermant de chaque côté les pinces de verrouillage de poignée (Fig. 1).

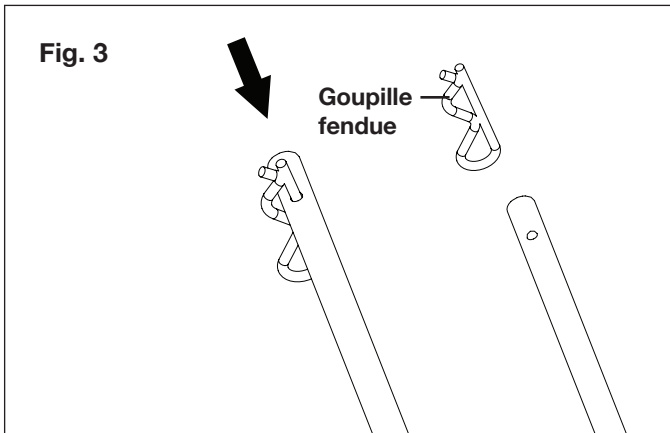


2. Alignez les trous dans la partie inférieure de l'assemblage de poignée intermédiaire avec ceux pratiqués dans la poignée inférieure (Fig. 2).
3. Attachez l'assemblage de poignée intermédiaire à la poignée inférieure à l'aide de 2 boutons de poignée et de 2 boulons en J à tête carrée. Posez les boutons à l'intérieur de l'assemblage et serrez (Fig. 2).



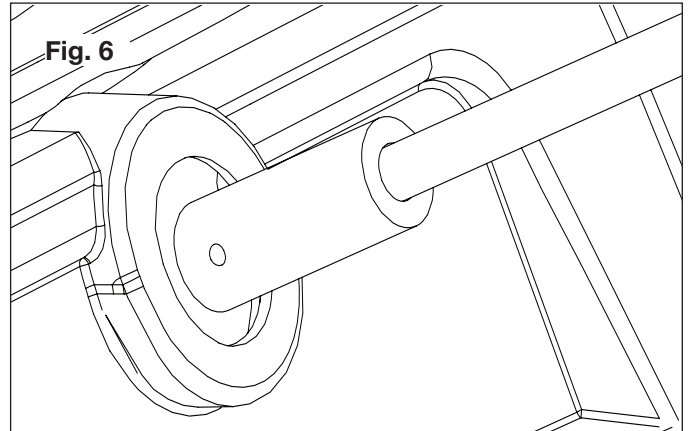
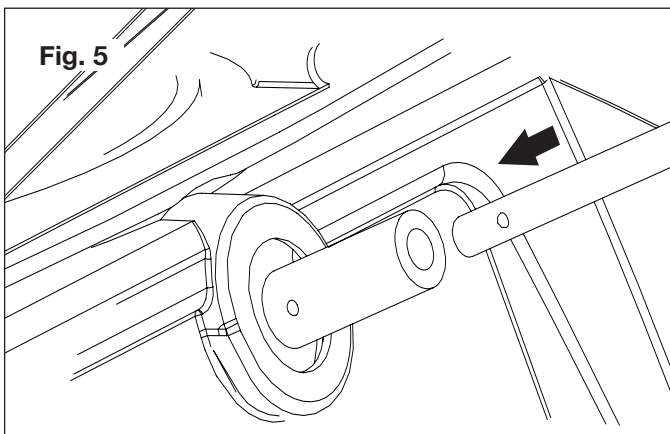
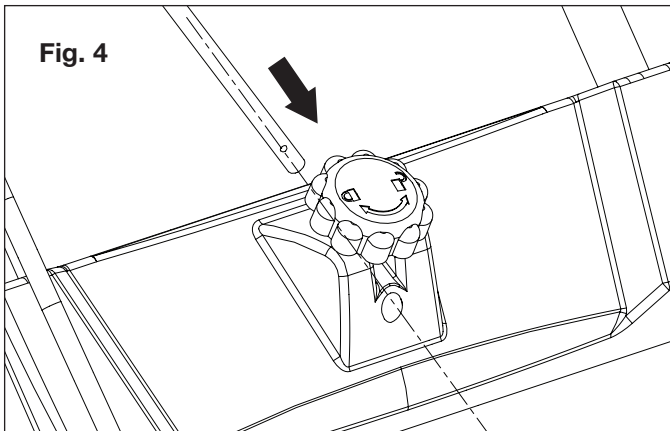
Assemblage de la manivelle de commande de goulotte

1. Retirez la goupille fendue de la tige de manivelle (Fig. 3).

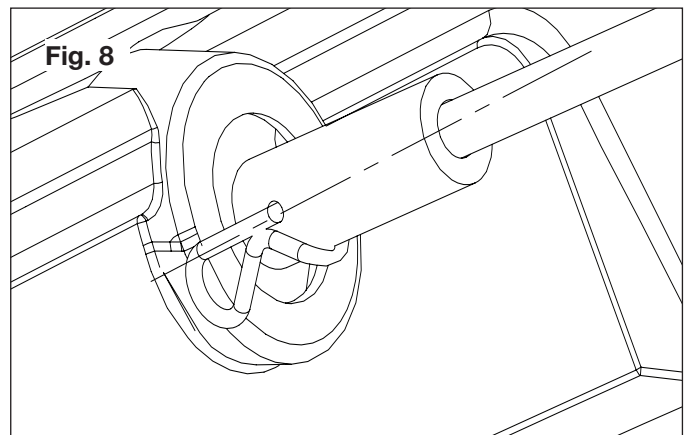
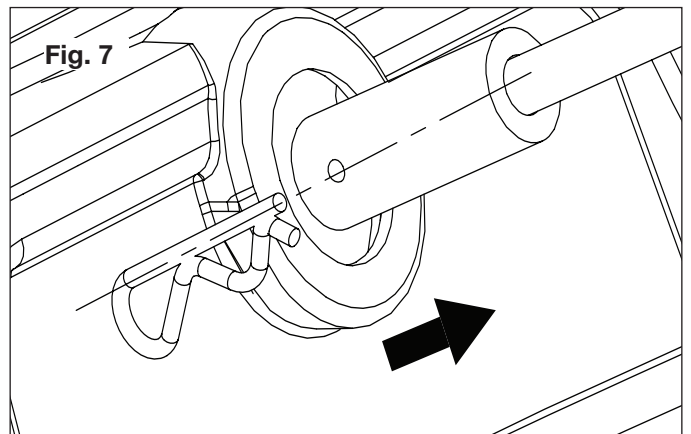


2. Posez la tige de manivelle en la faisant passer à travers le support central puis en l'insérant dans l'ouverture au dos du carter, les trous étant alignés (Fig. 4 à 6).

REMARQUE : pour pouvoir facilement manœuvrer la tige de manivelle, serrez ou desserrez le bouton de réglage de manivelle.

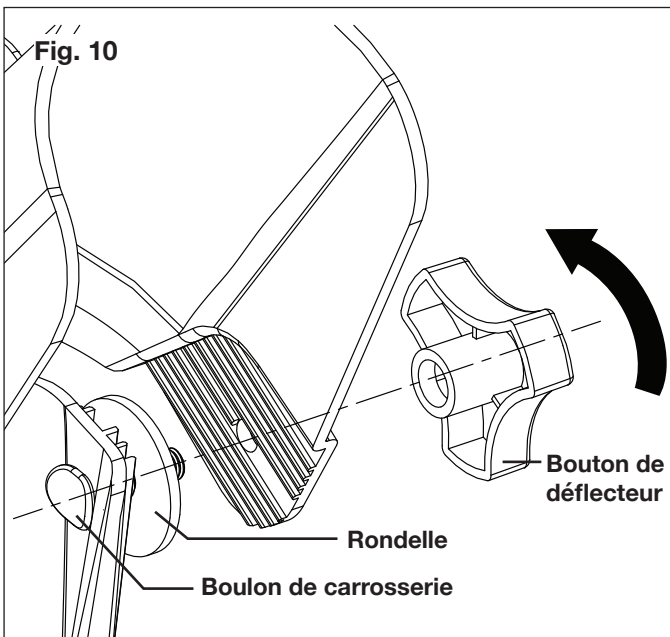
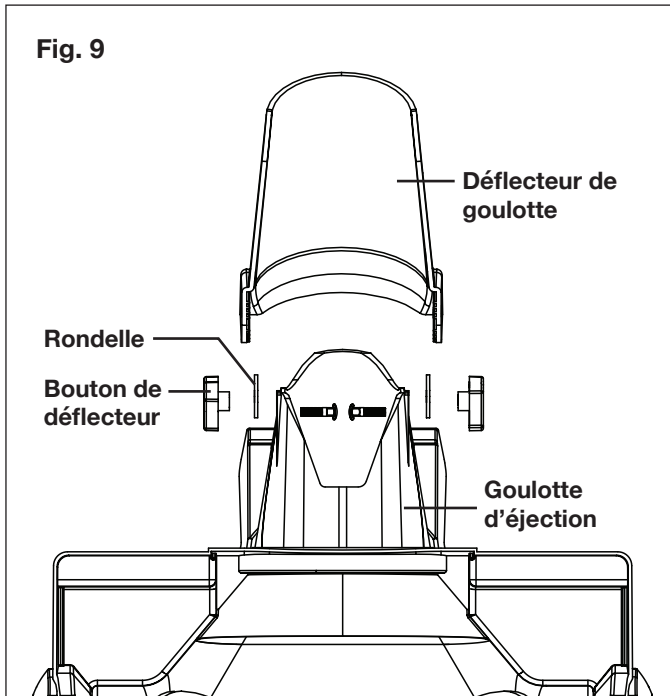


3. Une fois en place, attachez la tige de manivelle à l'aide de la goupille fendue (Fig. 7 et 8).

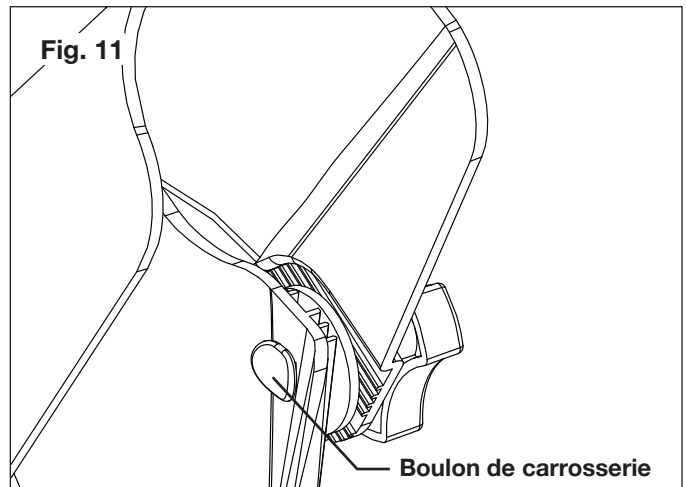


Assemblage de la goulotte d'éjection

1. Placez le déflecteur de goulotte sur la goulotte d'éjection et alignez les trous en plaçant la rondelle entre le déflecteur et la goulotte (Fig. 9 et 10).



2. Attachez les boulons de carrosserie et les boutons. Assurez-vous que les boutons soient serrés (Fig. 11).



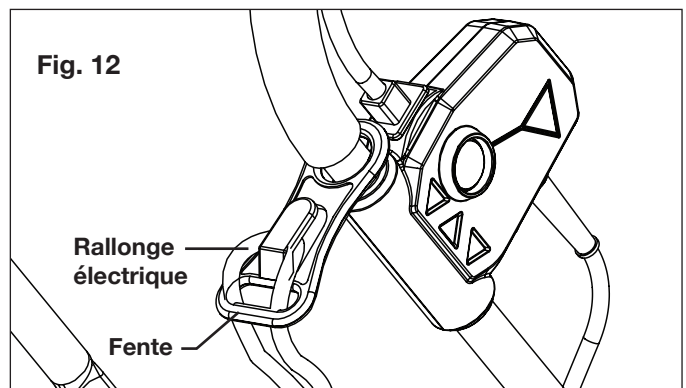
3. Tournez le bouton de manivelle dans le sens des aiguilles d'une montre pour vous assurer que la goulotte d'éjection et le déflecteur soient en position.

Utilisation

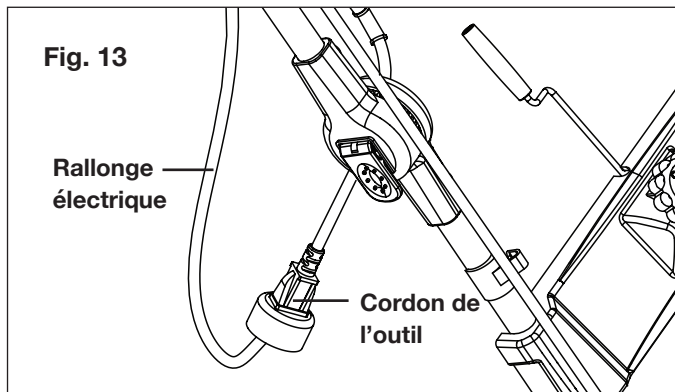
REMARQUE : avant d'utiliser cette machine, assurez-vous que la source d'alimentation électrique que vous utiliserez est conforme aux spécifications détaillées dans ce manuel. Avant d'insérer la fiche dans la prise, vérifiez que la tarière et les patins en caoutchouc de la souffleuse à neige sont solidement attachés et que les patins en caoutchouc sont orientés dans le bon sens. Effectuez un essai pour vous assurer que le rotor tourne librement.

Attache de la rallonge électrique

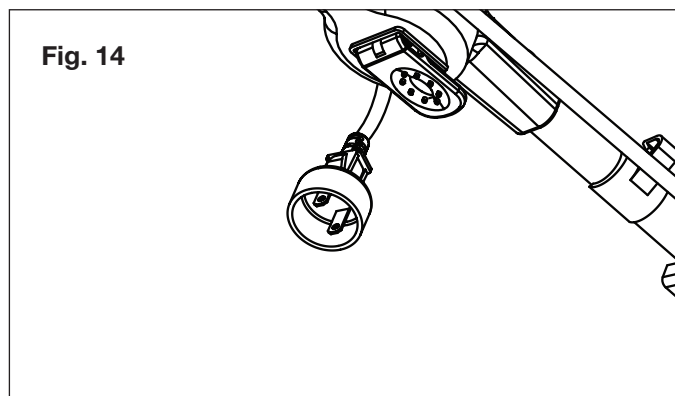
1. Pour utiliser votre souffleuse à neige sans danger et efficacement, utilisez uniquement une rallonge électrique homologuée UL et recommandée pour une utilisation à l'extérieur. Reportez-vous au **tableau des rallonges électriques** en page 38.
2. Poussez la boucle de la rallonge électrique à travers la fente sur le support de blocage en l'introduisant du côté opposé au crochet de retenue. Placez la boucle sur le crochet et tirez la rallonge à travers la fente (Fig. 12).



3. Insérez l'extrémité femelle de la rallonge électrique dans la prise mâle polarisée de la machine (Fig. 13).



4. Notez que la souffleuse à neige est munie d'une prise mâle polarisée, une lame de la prise étant légèrement plus longue et plus large que l'autre (Fig. 14). L'extrémité femelle de la rallonge électrique doit être également polarisée pour que la rallonge électrique rentre parfaitement dans la prise de la machine.



⚠ AVERTISSEMENT ⚠

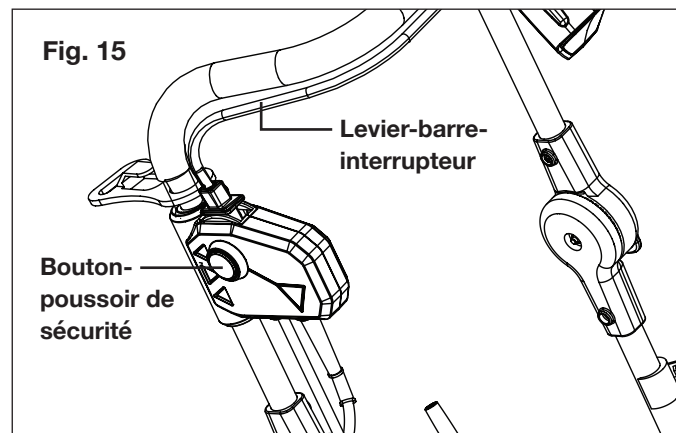
Les cordons d'alimentation endommagés présentent des risques d'incendie, d'électrocution et de graves blessures.

Avant d'utiliser la souffleuse à neige, examinez soigneusement le cordon d'alimentation. Si le cordon est endommagé, n'utilisez pas la souffleuse à neige. Remplacez ou réparez immédiatement tout cordon endommagé. Si vous avez besoin d'aide, communiquez avec un centre d'entretien et de réparation Snow Joe® + Sun Joe® agréé.

Mise en route et arrêt

⚠ AVERTISSEMENT! La tarière commence à tourner immédiatement après avoir mis en marche la souffleuse à neige. Tenir les mains et les pieds éloignés de la tarière.

1. Pour mettre en marche la souffleuse à neige, appuyez sur le bouton-poussoir de sécurité, puis pressez le levier-barre-interrupteur (Fig. 15).

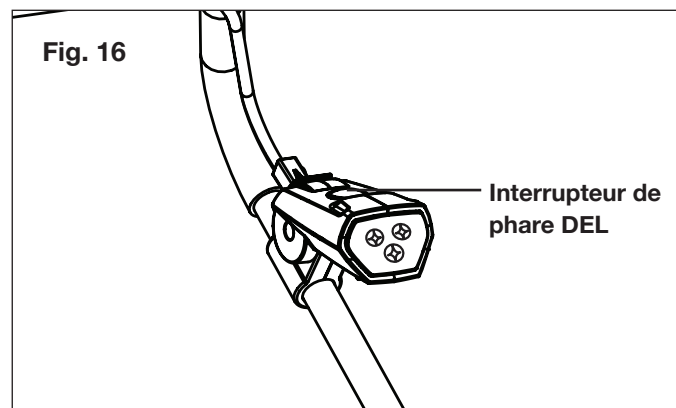


2. Une fois que la machine démarre, relâchez le bouton-poussoir de sécurité et commencez à déneiger.
3. Pour arrêter la machine, relâchez le levier-barre-interrupteur.

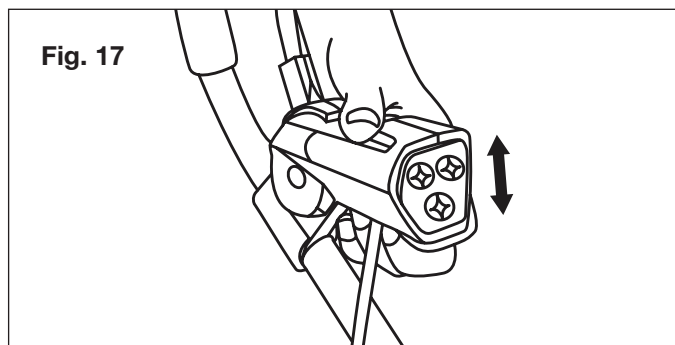
Utilisation du phare DEL

1. Pour utiliser le phare DEL à l'occasion d'un déneigement de nuit, actionnez l'interrupteur de phare DEL situé sur le boîtier du levier-barre-interrupteur (Fig. 16).

REMARQUE : quand vous avez fini d'utiliser votre souffleuse à neige, n'oubliez pas d'éteindre le phare en appuyant sur l'interrupteur.



2. Le phare DEL peut s'orienter en le déplaçant vers le haut ou vers le bas comme cela est illustré (Fig. 17).



Déplacement de la machine et déblayage de la neige

AVERTISSEMENT

Des corps étrangers, par exemple des roches, des éclats de verre, des clous, des fils ou de la ficelle, peuvent être ramassés et projetés par la souffleuse à neige en provoquant de graves blessures.

Avant d'utiliser la souffleuse à neige, retirez tous les corps étrangers de la zone à déneiger.

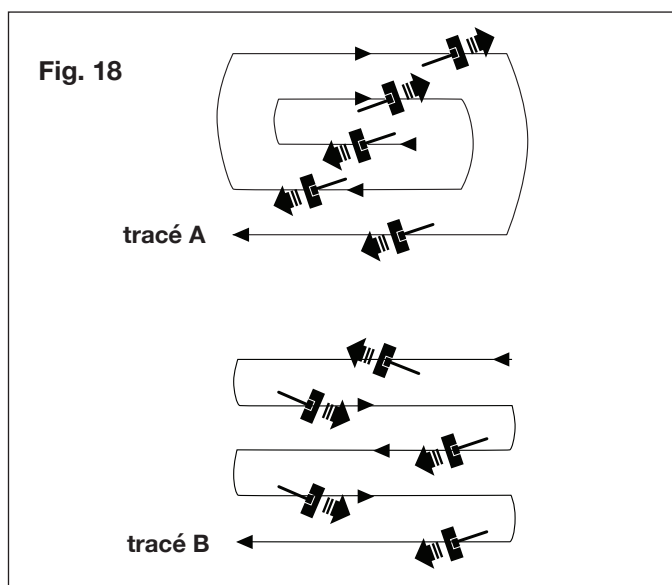
1. Débarrassez la zone de travail de tout ce qui pourrait être projeté par la tarière rotative. Sachant que certains corps étrangers peuvent être cachés sous la neige, effectuez une inspection minutieuse de la zone de travail. Si la souffleuse à neige heurte un obstacle ou ramasse un corps étranger pendant l'utilisation, arrêtez la souffleuse à neige, débranchez la rallonge électrique, retirez ce qui fait obstacle et inspectez la machine pour vérifier qu'elle n'est pas endommagée. Réparez ou remplacez toute pièce endommagée avant de redémarrer et d'utiliser à nouveau la machine.
2. Maintenez les enfants, les animaux familiers et les spectateurs éloignés de la zone de travail. Souvenez-vous que le volume sonore normal de la machine en marche peut vous empêcher d'entendre facilement des personnes s'approchant.
3. Quand vous déplacez la souffleuse à neige, utilisez les roues sur un côté comme point de pivotement. Faites légèrement basculer la souffleuse à neige sur cet axe pour la faire avancer ou reculer.
4. Commencez par déblayer près de la prise de courant et progressez en vous en éloignant et en projetant la neige dans un mouvement de va-et-vient. Pour déblayer dans la direction opposée, posez les deux pieds sur la rallonge et faites pivoter la souffleuse à neige sur ses roues. Assurez-vous de faire chevaucher les tranchées dans la neige.
5. Notez la direction du vent. Au besoin, déplacez-vous dans la même direction que le vent pour éviter que la neige soit

projetée contre le vent (dans votre visage et sur le chemin venant juste d'être déblayé).

6. En déplaçant la souffleuse à neige, ne tirez pas violemment ou brutalement sur la rallonge électrique. La souffleuse à neige devrait être manœuvrée dans les limites imposées par la longueur de la rallonge électrique.
7. Ne poussez pas la souffleuse à neige en exerçant une force excessive dessus. Vous devez pousser doucement et régulièrement la machine en respectant sa capacité d'éjection.
8. Ne poussez pas la machine au-delà de ses limites, car cela pourrait endommager le moteur.
9. Certaines pièces de la souffleuse à neige peuvent geler sous des températures extrêmes. N'essayez pas d'utiliser la souffleuse à neige si des pièces sont gelées. Si des pièces gèlent pendant que vous utilisez la souffleuse à neige, arrêtez la machine, débranchez la rallonge électrique et inspectez les pièces gelées. Avant de redémarrer ou d'utiliser la souffleuse à neige, vérifiez que toutes les pièces se déplacent librement. Ne forcez pas les commandes quand elles sont gelées.
10. Quand vous utilisez la machine sur des pierres, du gravier ou une surface non pavée, évitez de projeter des gravillons en même temps que la neige en appuyant sur la poignée pour lever la lame de raclage sous la machine et la faire passer au-dessus des pierres ou du gravier.
11. Pour déneiger entièrement des superficies plus grandes, il est nécessaire de procéder systématiquement en sachant d'avance où faire passer la souffleuse à neige. En procédant de la sorte, vous éviterez de rejeter la neige là où vous ne le voulez pas et vous ne devrez pas déblayer la neige une seconde fois (Fig. 18).

Tracé A : rejetez la neige à droite ou à gauche, selon le cas. Pour des zones à déneiger comme une longue allée, il est préférable de commencer au milieu. Déneigez d'une extrémité à l'autre en rejetant la neige des deux côtés.

Tracé B : si la neige peut être rejetée d'un seul côté de la zone à déneiger, commencez du côté opposé.



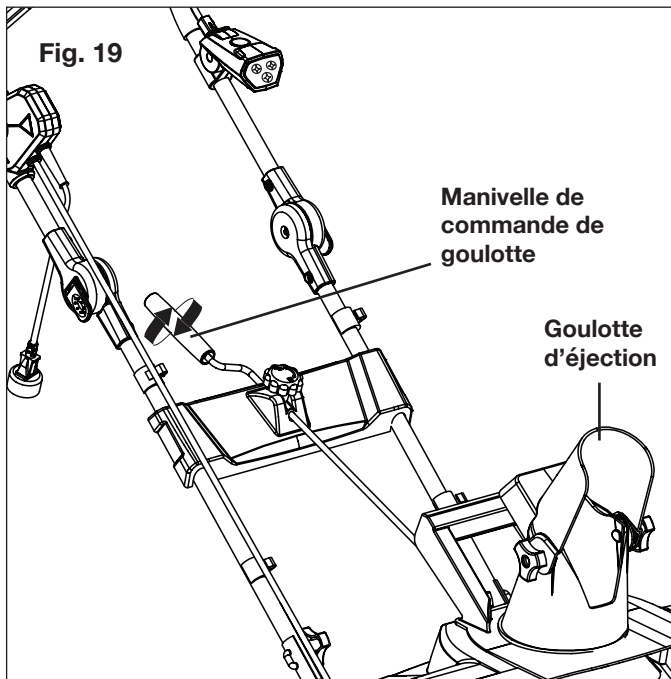
Changement de l'orientation et de la hauteur du jet de neige

⚠ AVERTISSEMENT ⚠

Ne jamais orienter la goulotte d'éjection vers l'utilisateur de la machine, des spectateurs, des véhicules ou des fenêtres. Les projections de neige et de tout ce qui a été accidentellement ramassé par la souffleuse à neige peuvent provoquer de graves dommages matériels et corporels.

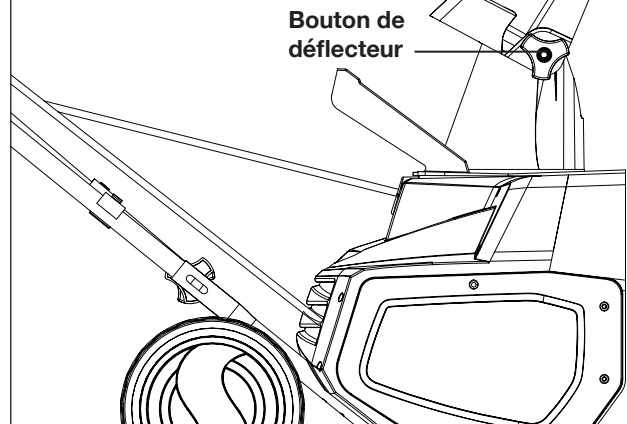
Toujours orienter la goulotte d'éjection dans la direction opposée où vous êtes, où se trouvent des spectateurs, des véhicules ou des fenêtres.

1. La goulotte d'éjection peut s'orienter sur 180 degrés en tournant la manivelle de commande de goulotte. Faites tourner la manivelle de commande de goulotte dans le sens des aiguilles d'une montre pour orienter la goulotte vers la gauche et dans le sens contraire des aiguilles d'une montre pour orienter la goulotte vers la droite (Fig. 19).



2. Le déflecteur de goulotte sur la partie supérieure de la goulotte d'éjection permet de contrôler la hauteur du jet de neige. Desserrez les boutons pour lever ou abaisser le déflecteur et obtenir la hauteur de jet de neige que vous souhaitez. Serrez les boutons pour attacher solidement le déflecteur (Fig. 20).

Fig. 20



⚠ AVERTISSEMENT ⚠

S'assurer que le déflecteur de goulotte s'enclenche complètement et se verrouille sur la goulotte d'éjection. Tout espace entre la goulotte d'éjection et le déflecteur de goulotte peut permettre à des corps étrangers d'être ramassés par la souffleuse à neige et projetés dans la direction de son utilisateur en provoquant de graves blessures.

- Ne pas avancer le déflecteur de goulotte trop loin vers l'avant, un espace pouvant se créer entre le déflecteur et la goulotte d'éjection.
- Ne pas trop serrer les boutons sur le déflecteur de goulotte

Entretien

⚠ AVERTISSEMENT ⚠

S'assurer de fermer l'interrupteur et de débrancher la rallonge électrique avant de procéder à toute tâche d'entretien sur la souffleuse à neige.

Lubrification à vie (moteur et tarière)

Il n'est pas nécessaire de lubrifier la machine, ce qui pourrait l'endommager. La souffleuse à neige est lubrifiée en usine et avant son expédition pour toute sa durée de vie.

Conseils d'entretien d'ordre général

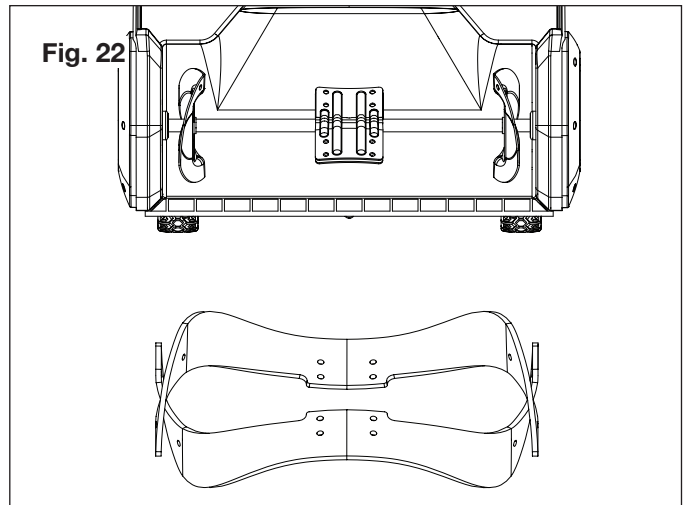
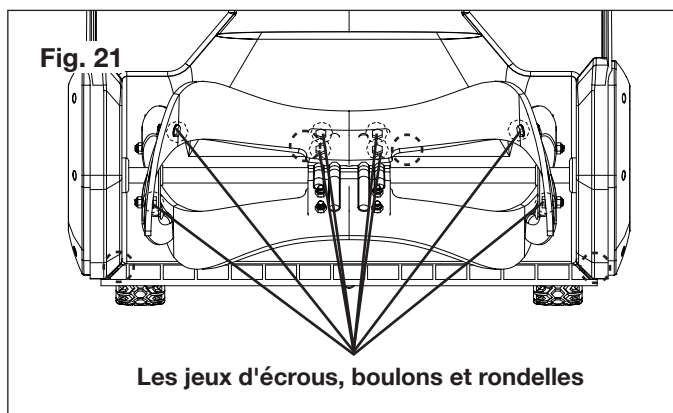
1. N'essayez pas de réparer la machine à moins d'avoir l'outillage adéquat et les bonnes instructions pour démonter et réparer la machine.

2. Inspectez régulièrement les boulons et les vis et vérifiez qu'ils sont bien serrés pour que le matériel puisse fonctionner en toute sécurité.
3. Après chaque séance de déneigement, faites tourner la souffleuse à neige pendant quelques minutes pour empêcher le collecteur et la turbine de geler. Coupez le moteur, attendez que toutes les pièces en rotation s'arrêtent complètement et essuyez la glace et la neige qui se sont déposées dessus. Tournez plusieurs fois la manivelle de commande de goulotte pour retirer la neige qui pourrait s'être accumulée dessus.
4. Pour nettoyer la souffleuse à neige, utilisez uniquement un chiffon trempé dans de l'eau chaude et une brosse souple; ne répandez ou pulvérisez jamais d'eau sur la machine!
5. N'utilisez ni détergents ni solvants, car ils pourraient endommager irrémédiablement la souffleuse à neige. Les produits chimiques peuvent détruire les pièces en plastique.
6. Pour protéger la souffleuse à neige de la corrosion quand vous la remisez pendant de longues périodes, huilez légèrement les pièces en métal.
7. Remisez la machine dans un endroit sec hors de portée des enfants.
8. Pour la sécurité de l'utilisateur, les pièces usées ou endommagées doivent être remplacées. Remplacez uniquement par des pièces de rechange d'origine. Les pièces provenant d'une autre souffleuse à neige peuvent ne pas convenir et rendre dangereuse l'utilisation de la machine.

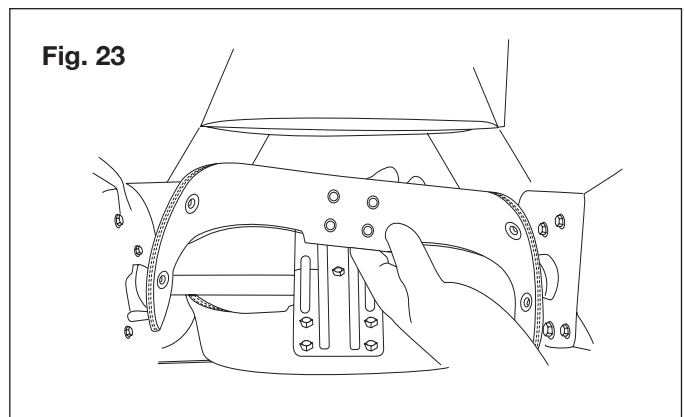
Remplacement des patins en caoutchouc

REMARQUE : lors du remplacement des patins en caoutchouc, veillez particulièrement aux différents types de boulons et d'écrous et à l'endroit où ils sont placés. Cette précaution est utile pour que les nouveaux patins en caoutchouc soient posés correctement et solidement.

1. Détachez le patin en caoutchouc usé en retirant les jeux d'écrous, boulons et rondelles l'attachant (Fig. 21 et 22).

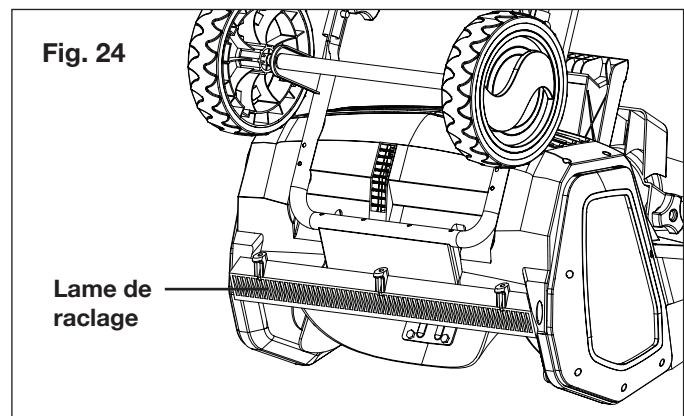


2. Posez le premier patin de rechange en caoutchouc et insérez le boulon approprié dans les trous correspondants sur chaque partie du patin en caoutchouc. Assurez-vous que les écrous-freins soient solidement attachés aux boulons.
3. Poser l'autre patin en caoutchouc de la même manière (Fig. 23).

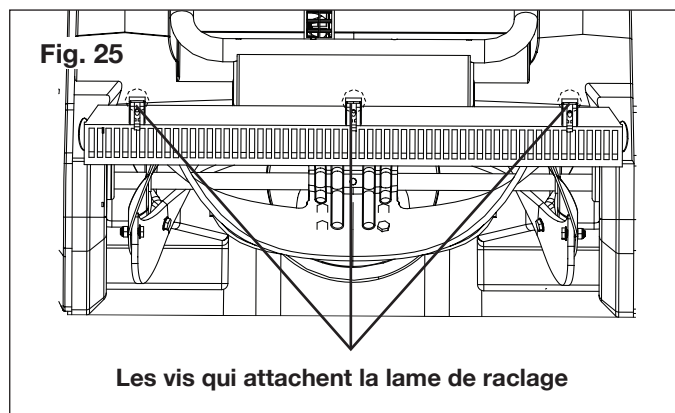


Remplacement de la lame de raclage

1. La lame de raclage se situe en bas de la souffleuse à neige sous le caisson du rotor (Fig. 24).



2. Retirez les vis qui attachent la lame de raclage à la souffleuse à neige (Fig. 25).



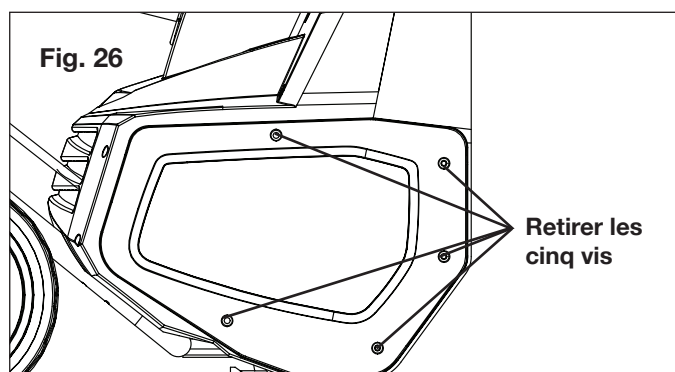
3. Posez la nouvelle lame de raclage et attachez-la solidement à la souffleuse à neige à l'aide des vis.

Remplacement de la courroie

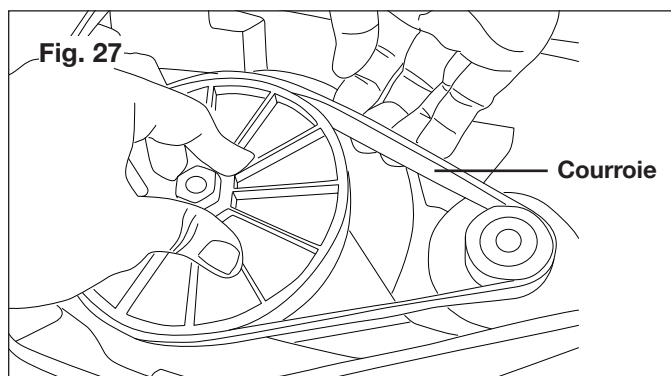
REMARQUE : dans des conditions d'utilisation normales, il ne doit pas être nécessaire de remplacer la courroie de tarière. Toutefois, si la tarière se bloque ou fonctionne mal, il se peut que la courroie soit endommagée. Pour remplacer la courroie, veuillez suivre les instructions.

REMARQUE : déterminez le côté droit et le côté gauche de la souffleuse à neige en vous tenant debout derrière la machine comme si vous l'utilisiez.

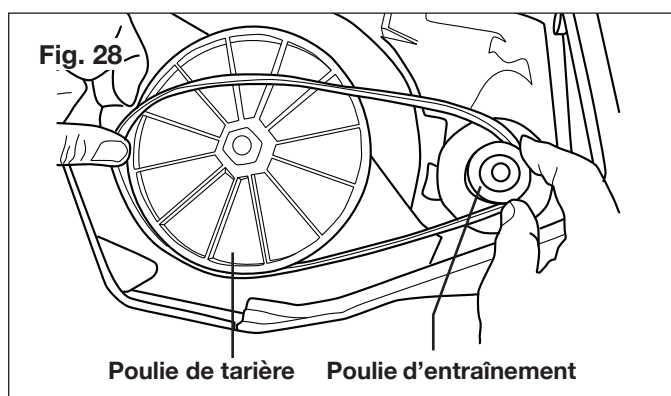
1. Ouvrez le cache latéral gauche en retirant cinq vis (Fig. 26).



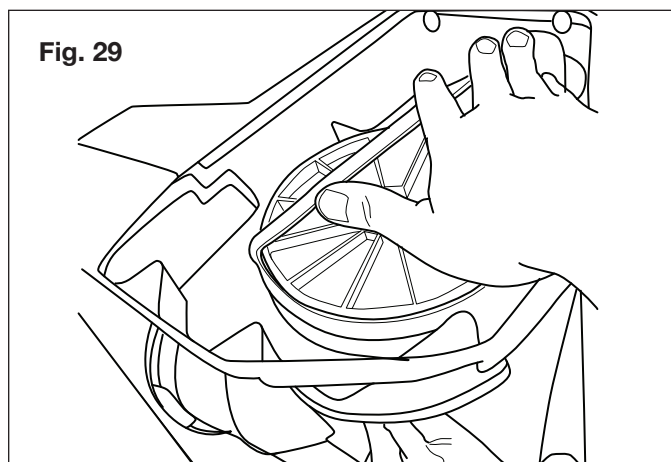
2. Utilisez la main droite pour tourner le côté nervure de la courroie vers le haut et le tirer vers le haut tout en faisant tourner dans le sens contraire des aiguilles d'une montre la poulie de tarière à l'aide de la main gauche. La courroie peut se retirer facilement de la poulie (Fig. 27).



3. Placez d'abord la courroie sur la poulie d'entraînement et placez ensuite la courroie au niveau de l'extrémité inférieure de la poulie de tarière (Fig. 28).



4. Utilisez la main droite pour appuyer sur la courroie, le côté nervure vers le bas. Tout en maintenant la courroie en bas à l'aide de la main droite, utilisez la main gauche pour faire tourner la tarière de telle sorte que la poulie tourne dans le sens des aiguilles d'une montre. La courroie sera progressivement poussée vers le bas sur la poulie. Quand la courroie repose sur la poulie, réglez-la pour que les nervures de la courroie viennent s'ajuster sur les gorges de la poulie (Fig. 29).

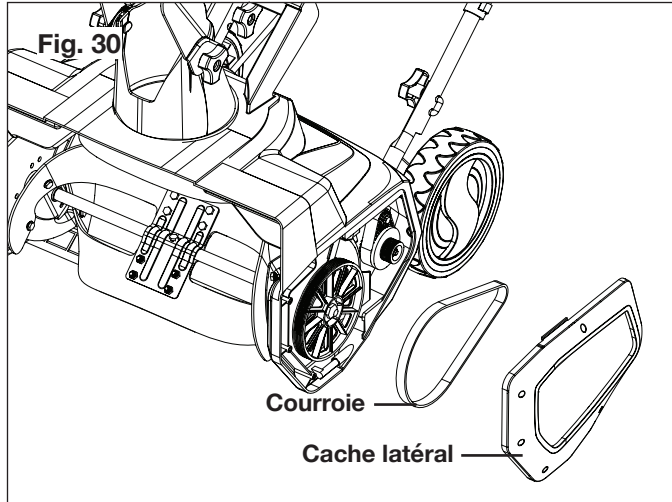


- Une fois que la courroie est posée, remplacez le cache latéral et attachez-le à l'aide des cinq vis (Fig. 26).

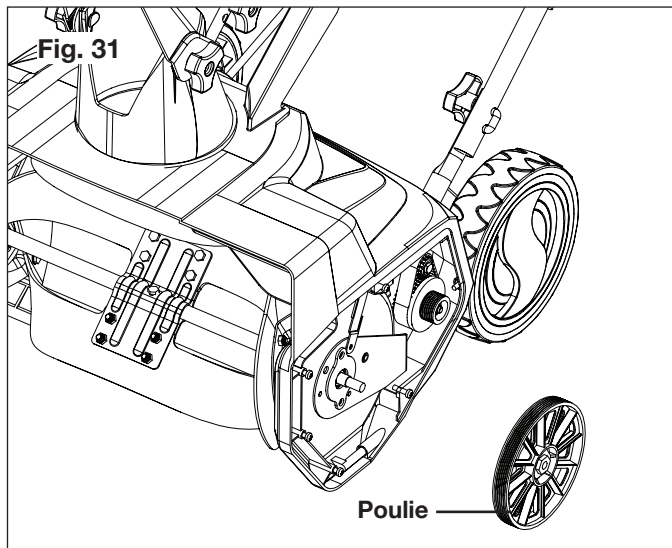
REMARQUE : la neige lourde et mouillée exerce une pression supplémentaire sur les courroies qui doivent donc être remplacées plus fréquemment.

Remplacement de la poulie

- Ouvrez le cache latéral gauche en retirant les cinq vis (Fig. 26). Retirez la courroie en suivant les instructions ci-dessus (Fig. 30).



- En empêchant la tarière de tourner et à l'aide d'une douille à six pans creux de 18 mm, tournez la poulie dans le sens des aiguilles d'une montre pour la retirer (Fig. 31).



- Pour poser la nouvelle poulie, suivez les instructions dans l'ordre inverse.

Remisage

- Laissez le moteur se refroidir complètement avant de nettoyer la souffleuse à neige, de la remiser ou de la transporter. Assurez-vous que la souffleuse à neige ne présente aucun danger potentiel avant de la transporter.
- Débranchez la rallonge électrique de la souffleuse à neige. Inspectez soigneusement la rallonge électrique pour vérifier qu'elle ne présente aucun signe d'usure et qu'elle n'est pas endommagée. Remplacez-la si elle est usée ou endommagée.
- Inspectez soigneusement la souffleuse à neige pour déceler la présence éventuelle de pièces usées, desserrées ou endommagées. Vérifiez les raccords et les vis et resserrez au besoin. Pour une réparation ou des pièces à remplacer, communiquez avec votre revendeur Snow Joe® + Sun Joe® agréé ou le service clientèle Snow Joe® + Sun Joe® en appelant le 1-866-SNOWJOE (1-866-766-9563).
- Remisez la machine, ainsi que la rallonge électrique débranchée, dans un endroit sec, sous clé et hors de portée des enfants, et ce pour éviter toute utilisation non autorisée de la machine ou qu'elle soit endommagée. Pour mieux la protéger, couvrez-la d'une bâche en veillant à ce qu'elle reste lâche.

Service après-vente et assistance technique

Si votre souffleuse à neige électrique Snow Joe® SJ625E nécessite une intervention technique ou un entretien, veuillez appeler le 1-866-SNOWJOE (1-866-766-9563) pour de l'aide.

Numéros de modèle et de série

Lorsque vous communiquez avec l'entreprise pour commander des pièces ou prendre rendez-vous pour une intervention technique chez un revendeur agréé, vous devez fournir les numéros de modèle et de série qui se trouvent sur l'étiquette autocollante apposée sur le couvercle principal de la machine à gauche de la goulotte d'éjection. Copiez ces numéros dans l'espace réservé ci-dessous.

Veillez noter les numéros suivants sur le carter ou la poignée de votre nouvel outil :

N° de modèle :

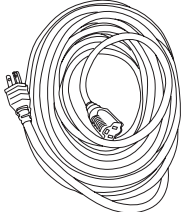
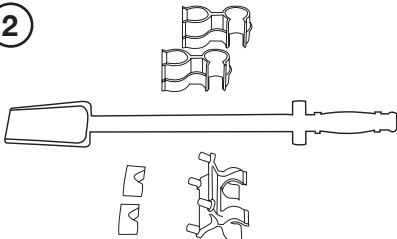
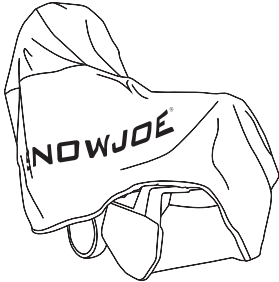
S | J | 6 | 2 | 5 | E |

N° de série :

| | | | | | | | | | | | | | | | | | | | | |

Accessoires

⚠️ AVERTISSEMENT! TOUJOURS utiliser des pièces de rechange et des accessoires Snow Joe® + Sun Joe® homologués. NE JAMAIS utiliser des pièces ou des accessoires qui ne sont pas destinés à être utilisés avec cette souffleuse à neige électrique. Communiquez avec Snow Joe® + Sun Joe® si vous n'êtes pas sûr que l'utilisation d'une pièce de rechange ou d'un accessoire particulier avec votre souffleuse à neige électrique soit sans danger. L'utilisation de tout autre accessoire ou pièce détachée peut être dangereuse et pourrait provoquer des dommages corporels ou mécaniques.

Accessoires	Description	Modèle
<p>①</p> 	<p>Rallonge électrique 50 pieds de calibre 14 Snow Joe® + Sun Joe® SJTW-A avec extrémités éclairées sous tension</p>	<p>PJEXT50-B</p>
<p>②</p> 	<p>Outil de nettoyage universel de goulotte de souffleuse à neige</p>	<p>SJCOT</p>
<p>③</p> 	<p>Housse protectrice universelle pour souffleuses à neige 53 cm</p>	<p>SJCVR-21</p>

REMARQUE : les accessoires sont sous réserve de changements sans que Snow Joe® + Sun Joe® soit pour autant tenue de donner un préavis desdits changements. Les accessoires peuvent être commandés en ligne sur le site snowjoe.com ou par téléphone en communiquant avec le service clientèle Snow Joe® + Sun Joe® au 1-866-SNOWJOE (1-866-766-9563).



LA PROMESSE DE SNOW JOE® + SUN JOE® À SES CLIENTS

Vous êtes notre client et Snow Joe, LLC (« Snow Joe ») **SE MET EN QUATRE** pour vous servir. Nous nous efforçons de vous rendre l'utilisation de nos produits aussi plaisante que possible. Malheureusement, il peut arriver qu'un produit Snow Joe®, Sun Joe® ou Aqua Joe (« Produit ») ne fonctionne pas ou se casse dans des conditions d'utilisation normales. Nous pensons qu'il est important que vous sachiez ce que vous pouvez attendre de nous. C'est pourquoi nous avons une garantie limitée (« Garantie ») pour nos Produits.

NOTRE GARANTIE :

Snow Joe déclare et garantit que les Produits neufs, d'origine, électriques ou non électriques sont exempts de vices de matière ou de fabrication et, lorsqu'ils font l'objet d'une utilisation résidentielle et ménagère ordinaire, les garantit pendant une période de deux ans à compter de la date d'achat au détail par l'acheteur primitif auprès de Snow Joe ou d'un des revendeurs agréés de Snow Joe, preuve d'achat à l'appui. Étant donné que Snow Joe ne peut pas contrôler la qualité de ses Produits vendus par des revendeurs non agréés, sauf stipulation contraire de la loi, la présente Garantie ne couvre pas les Produits achetés auprès de vendeurs non agréés. Si votre Produit ne fonctionne pas ou si une pièce spécifique couverte par les modalités de la présente Garantie fait l'objet d'un problème quelconque, Snow Joe choisira (1) de vous envoyer une pièce de rechange gratuite, (2) de remplacer le Produit par un produit neuf ou comparable, gratuitement, ou (3) de réparer le Produit. Génial, n'est-ce pas?

La présente Garantie vous donne des droits judiciaires spécifiques, et vous pouvez également avoir d'autres droits qui peuvent varier d'une province ou d'un territoire à l'autre.

ENREGISTREMENT DU PRODUIT :

Snow Joe vous recommande vivement d'enregistrer votre Produit. Vous pouvez l'enregistrer en ligne sur le site snowjoe.com/register, ou en imprimant et en envoyant par courrier une carte d'enregistrement offerte en ligne sur notre site Web, ou par téléphone en appelant notre Service à la clientèle au **1-866-SNOWJOE (1-866-766-9563)**, ou encore en nous envoyant un courriel à l'adresse help@snowjoe.com. Le fait de ne pas enregistrer l'achat de votre Produit n'a aucune conséquence sur vos droits concernant la garantie. Toutefois, l'enregistrement de votre Produit permettra à Snow Joe de mieux répondre au moindre besoin que vous pourriez avoir en matière de service à la clientèle.

QUI PEUT REVENDIQUER LA COUVERTURE DE LA GARANTIE?

La présente Garantie est étendue par Snow Joe à l'acheteur et propriétaire primitif du Produit.

QU'EST-CE QUI N'EST PAS COUVERT?

La présente Garantie ne s'applique pas si le Produit a été utilisé commercialement, pour des travaux non résidentiels ou s'il fait l'objet d'une location. La présente Garantie ne s'applique pas non plus si le Produit a été acheté auprès d'un revendeur non agréé. La présente garantie ne couvre pas non plus les changements cosmétiques qui n'affectent pas le rendement. Les pièces d'usure comme les courroies, les tarières, les chaînes et les dents ne sont pas couvertes au titre de la présente Garantie et peuvent être achetées en ligne sur le site snowjoe.com ou en appelant le **1-866-SNOWJOE (1-866-766-9563)**.





A series of horizontal lines for writing, consisting of 20 parallel lines spaced evenly down the page.



snowjoe.com