



ELECTRIC POLE CHAIN SAW

10-INCH | 8-AMP

OPERATOR'S MANUAL

A Division of Snow Joe®, LLC

Model SWJ803E

Form No. SJ-SWJ803E-880E-MR8

IMPORTANT! Safety Instructions

All Operators Must Read These Instructions Before Use

Always follow these safety guidelines. Failure to do so may result in serious bodily injury or death.

⚠ DANGER! This indicates a hazardous situation, which, if not followed, will result in serious injury or death.

⚠ WARNING! This indicates a hazardous situation, which, if not avoided, could result in serious injury or death.

⚠ CAUTION! This indicates a hazardous situation, which, if not avoided, could result in minor or moderate injury.

General Safety

⚠ WARNING! When using electric yard tools, basic safety precautions should always be followed to reduce the risk of fire, electric shock, and personal injury, including the following:

- 1. Keep guards in place** – Protective guards should be checked periodically to ensure they are properly fitted and in correct working order.
- 2. Remove adjusting keys and wrenches** – Check that adjusting wrenches are removed from the saw before turning it on.
- 3. Keep work area clean and well-lit** – Clear work area of branches and limbs after each cutting session. Cluttered areas invite accidents.
- 4. Do not use in dangerous environments** – Do not use power tools in damp or wet locations.
- 5. Do not use the pole chain saw in the rain.**
- 6. Keep bystanders and children away** – All bystanders, including children and pets, should be kept a safe distance away from the work area.
- 7. Do not force the tool** – It will do the job effectively and safely if it is used at the rate for which it was designed.
- 8. Use the right tool** – Do not force the tool or any attachment on the tool to do a job for which they were not designed.
- 9. Wear proper apparel** – Do not wear loose articles of clothing or jewelry since such items may get caught in moving parts. Use of heavy-duty rubber gloves,

substantial non-skid footwear, and close-fitting clothing is recommended when working outdoors with power tools.

- 10. Wear protective hair coverings to contain long hair.**
- 11. Always wear safety glasses and ear defenders to provide eye and ear protection** – Everyday eyeglasses only have impact resistant lenses and do not provide the same protection as safety glasses.
- 12. Wear face or dust masks** – If the cutting operation is dusty, the use of a face or dust mask specially designed to filter out microscopic particles is recommended.
- 13. Do not overreach** – Keep proper footing and balance at all times.
- 14. Maintain tools with care** – Keep tools sharp and clean for best and safest performance. Follow instructions for lubricating and changing accessories.
- 15. Disconnect tool** – Disconnect the pole chain saw from the power supply when not in use, before servicing, when transporting, or when changing the chain or other accessories.
- 16. Reduce the risk of unintentional starting** – Make sure the switch is in the OFF position before plugging the tool into a power source.
- 17. Use recommended accessories** – Consult the owner's manual for recommended accessories. The use of improper accessories may cause risk of injury.
- 18. Check for damaged parts** – Before each use, repair, or replace any guard or part that is damaged. In addition, check for alignment of moving parts, binding of moving parts, breakage of parts, and any other conditions that may affect the tool's operation.
- 19. Never leave tool unattended while it is running** – Turn the power OFF by removing the power cord directly from its socket. Do not leave the saw until the cutting bar comes to a complete stop.
- 20. Avoid unintentional starting** – Do not carry the pole chain saw with your finger on the switch.
- 21. Do not grasp the exposed cutting blade or cutting edges when picking up or holding the saw** – Be sure to encase the cutting bar in its protective sheath when not in use.
- 22. Stay alert** – Watch what you are doing. Use common sense. Do not operate the pole chain saw when you are tired.
- 23. Store idle tool indoors** – When not in use, appliances should be stored indoors in a dry and high or locked-up place out of the reach of children.

Electrical Safety

1. Ground fault circuit interrupter (GFCI) protection should be provided on the circuit(s) or outlet(s) to be used for the pole chain saw. Receptacles are available having built-in GFCI protection and may be used for this measure of safety.
2. To prevent electric shock, use only with an extension cord suitable for outdoor use, such as SW-A, SOW-A, STW-A, STOW-A, SJW-A, SJOW-A, SJTW-A, or SJTOW-A.

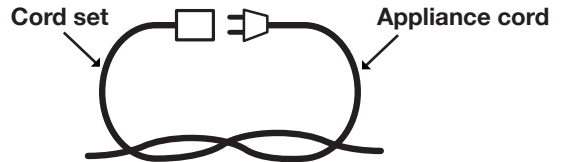
Before use, check that the extension cord is in good condition. When using an extension cord, make sure to use one heavy enough to carry the current your product will draw. An undersized cord will cause a drop in line voltage resulting in loss of power and overheating.

3. To reduce the risk of electric shock, this appliance has a polarized plug (i.e. one blade is wider than the other). Use this appliance only with a polarized UL-, CSA-, or ETL-rated extension cord for outdoor, all-weather use. The appliance plug will fit into a polarized extension cord only one way.

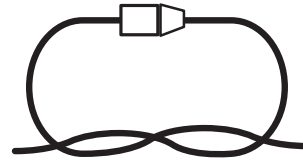
If the appliance plug does not fit fully into the extension cord, reverse the plug. If the plug still does not fit, obtain a correct polarized extension cord. A polarized extension cord will require the use of a polarized wall outlet. The extension cord plug will fit into the polarized wall outlet only one way. If the plug does not fit fully into the wall outlet, reverse the plug. If the plug still does not fit, contact a qualified electrician to install the proper wall outlet. Do not modify the appliance plug, extension cord receptacle, or extension cord plug in any way.

4. To prevent the appliance cord from disconnecting from the extension cord during operation, make a knot with the two cords as shown in Table 1.

Table 1. Method of Securing Extension Cord



(A) Tie cord as shown



(B) Connect plug and receptacle

5. Do not abuse the cord. Never pull the pole chain saw by the cord or yank the cord to disconnect it from the receptacle. Keep the cord away from heat, oil, and sharp edges.

Specific Safety Rules for Pole Chain Saws

⚠️ WARNING! SHOCK HAZARD! – To protect yourself from electrocution, do not operate the pole chain saw within 50 ft (15 m) of overhead wires. Failure to follow this instruction could result in severe personal injury.

Operating Tips for Pole Chain Saws

- Note the extension cord's location relative to the tool. While operating the pole chain saw, be careful not to trip over the cord.
- Keep the cord away from the chain and the operator at all times.
- Keep children, animals, and bystanders a safe distance away from the pole chain saw and extension cord.
- Only the pole chain saw operator should be in the work area.
- Do not use the pole chain saw to cut down trees.
- Always use two hands when operating the pole chain saw. Grip the pole chain saw securely with one hand on the trigger and the other hand on the pole.
- Before starting the pole chain saw, make sure that the saw chain is not in contact with any object.
- Do not allow the pole chain saw to make contact with grounded objects such as pipes, fences, and metal posts.
- Do not force the pole chain saw while cutting. Apply light pressure. It will perform more effectively and safely if it is used at the rate for which it was designed.

⚠️ **WARNING!** ⚠️

Electric shock may cause SEVERE INJURY or DEATH. Heed these warnings:

- Do not allow any part of the pole chain saw to make contact with water while it is in operation. If the appliance becomes wet while turned off, wipe dry before starting.
- Use only a UL-, CSA-, or ETL-rated extension cord for outdoor, all-weather use.
- Do not use an extension cord over 100 ft (30 m).
- Do not touch the appliance or its plug with wet hands or while standing in water. Wearing rubber boots offers some protection.

EXTENSION CORD CHART

Cord Length:	Up to 50 ft (15 m)	+50 ft - 100 ft (+15 m - 30 m)
Min. Wire Gauge (A.W.G.):	16	14

- Use extreme caution when cutting a limb that is under tension. When wood tension is released, the limb could spring back and strike the operator, causing severe injury or death.
- Do not carry a plugged-in unit. Carry the pole chain saw from one place to another with the unit unplugged. During transport, hold the pole at its balance point (close to the saw end), with the guide bar and chain facing to the rear.
- Do not cut small brush and saplings with the pole chain saw. Small branches may catch in the chain and be whipped towards the operator, which could pull the operator off balance.
- Keep all parts of the body away from the saw chain.
- Do not remove cut material or hold material to be cut when blades are moving. Make sure the switch is off when clearing jammed material. Saw chain continues to move after the switch is turned off. A moment of inattention while operating the extended-reach pole saw may result in serious personal injury.
- Carry the extended-reach pole saw by the handle with the saw chain stopped. When transporting or storing the extended-reach pole saw, always fit the saw chain device cover. Proper handling of the extended-reach pole saw will reduce possible personal injury from the saw chain.
- Hold the extended-reach pole saw by insulated gripping surfaces only, because the saw chain may contact hidden wiring or its own cord. A saw chain contacting a "live" wire may make exposed metal parts of the extended-reach pole saw "live" and could give the operator an electric shock.
- Keep cable away from cutting area. During operation the cable may be hidden in shrubs and can be accidentally cut by the saw chain.
- Do not use the extended-reach pole saw in bad weather conditions, especially when there is a risk of lightning. This decreases the risk of being struck by lightning.
- Always use head protection when operating the extended-reach pole saw overhead. Falling debris can result in serious personal injury.
- Kickback safety devices on this pole chain saw include a skip chain and a low kickback guide bar. These will reduce, but not entirely prevent, kickbacks. Follow the necessary precautions indicated in this operator's manual to avoid kickbacks.
- Always use two hands when operating the pole chain saw, one hand gripping the trigger and the other hand gripping the pole. Use a firm grip. Thumbs and fingers must wrap around the trigger and the pole.
- Keep all guards in place on the pole chain saw. Make sure they are in proper working order.
- Do not overreach or extend arms above shoulder height.
- Keep solid footing and balance at all times.
- Never try cutting through two branches at the same time. Only cut one at a time.
- Do not bury the guide bar nose or try to cut by boring the guide bar nose into the wood.
- Watch for shifting of wood or other forces that may pinch the chain.
- Use extreme caution when re-entering a previous cut.
- Use the low-kickback chain and guide bar supplied with this pole chain saw. Only use genuine Snow Joe® + Sun Joe® replacement parts designed specifically for use with this pole chain saw.
- Never use a dull or loose chain. Keep the chain sharp and properly tensioned.

Kickback

⚠WARNING! Kickback may occur when the nose or tip of the guide bar touches an object, or when the wood closes in and pinches the saw chain in the cut.

















AVOID CONTACTING THE GUIDE BAR TIP WITH ANY OBJECT. In some cases, when the tip makes contact with an object, it may cause a fast reverse reaction, kicking the guide bar up and back towards the operator. Pinching the saw chain along the top of the guide bar may also push the guide bar rapidly back towards the operator. Either of these reactions may cause you to lose control of the pole chain saw, which could result in serious personal injury.

Pole Chain Saw Trimming Precautions

- Never stand directly under the limb you are trimming. Always position yourself outside the path of falling debris.
- Never stand on a ladder or other type of unstable support while using the pole chain saw.
- Keep all handles and grip surfaces clean, dry, and free from oil and grease.
- Always use both hands to operate the pole chain saw. Keep a firm, steady pressure on the pole chain saw while cutting, but do not try to cut limbs larger in diameter than the length of the guide bar.
- Keep other people and pets away from the cutting end of the pole chain saw and at a safe distance away from the work area.
- Do not use the pole chain saw near cable, electric power, or telephone lines. Maintain a minimum clearance of 50 ft (15 m) from all power lines.

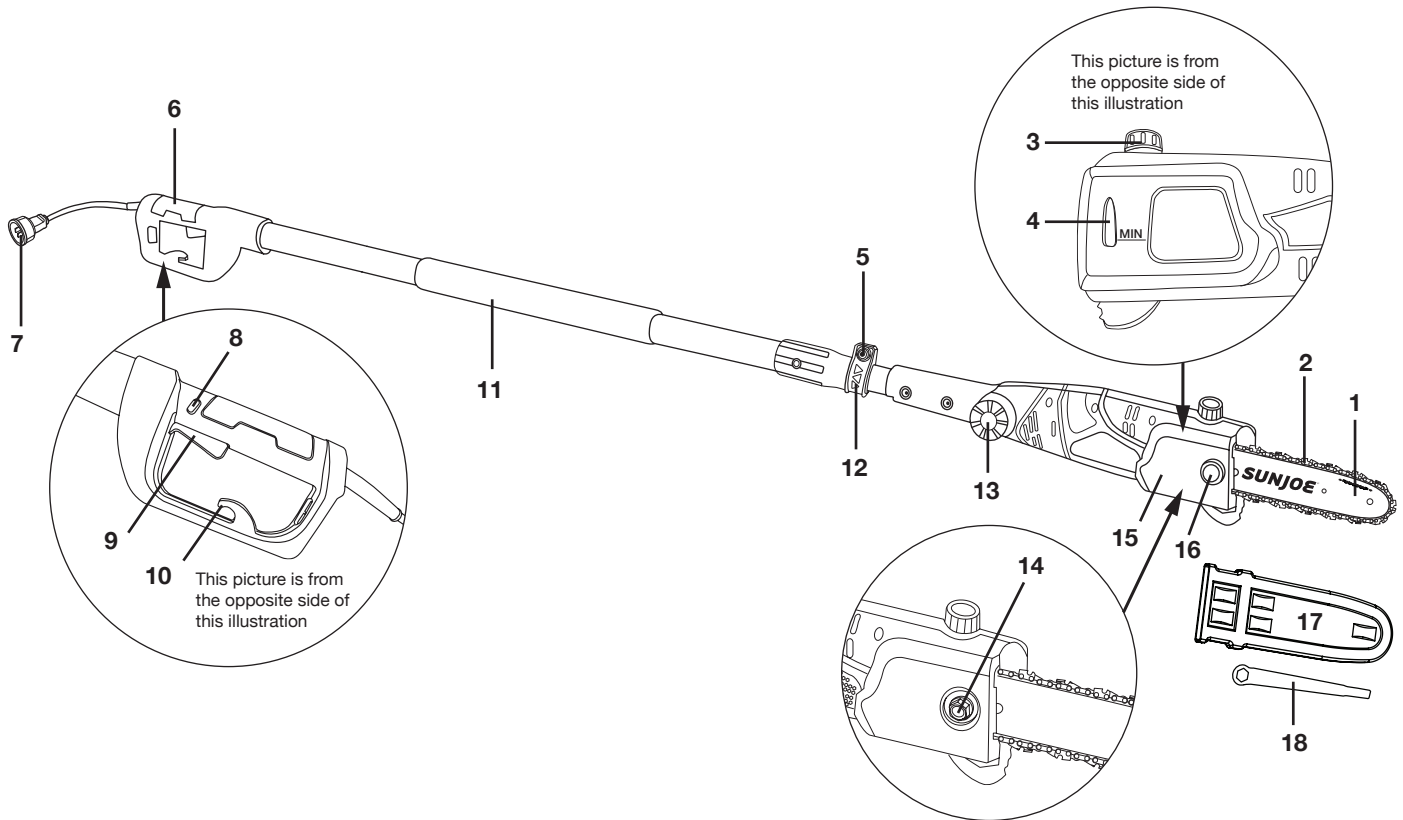
Safety Symbols

The following table depicts and describes safety symbols that may appear on this product. Read, understand, and follow all instructions on the machine before attempting to assemble and operate.

Symbols	Descriptions	Symbols	Descriptions
	READ THE OPERATOR'S MANUAL(S) – Read, understand, and follow all instructions in the user manual(s) before attempting to assemble and operate.		Keep bystanders and children a safe distance away.
	SAFETY ALERT – Indicates a precaution, a warning or a danger.		WARNING! Do not expose the unit to rain or wet conditions.
	Wear personal protective equipment, including close-fitting clothing.		WEAR EYE AND HEARING PROTECTION – For protection against injury, wear ear defenders and safety goggles.
	CAUTION! Avoid contacting the guide bar tip with any object. Tip contact may cause the guide bar to move suddenly upward and backwards, which may cause serious injury to the user.		WARNING! SHOCK HAZARD – Keep at least 50 ft (15 m) away from power lines. Do not overreach. Keep proper footing and balance at all times.
 	DANGER! ROTATING BLADES – Keep hands and feet away from openings while the saw is running.	 	Wear protective gloves and non-slip footwear when using the machine and handling debris.
	SWITCH OFF! Remove plug from outlet before cleaning or conducting maintenance checks.		SWITCH OFF! Remove plug from outlet immediately if the cord is damaged or cut.
 STOP	The rotating part will continuously run for several seconds after you turn off the machine.		Double Insulation.

Know Your Electric Pole Chain Saw

Read the owner's manual and safety instructions carefully before operating the pole chain saw. Compare the illustration below to the pole chain saw in order to familiarize yourself with the location of the various controls and adjustments. Save this manual for future reference.



- 1. 10 in. guide bar
- 2. 10 in. chain
- 3. Oil tank cap
- 4. Oil level indicator window
- 5. Cam-lock nut for telescoping pole
- 6. Rear handle
- 7. Appliance cord
- 8. Safety lock button
- 9. Trigger switch

- 10. Extension cord restraint hook
- 11. Pole foam grip
- 12. Cam-lock for telescopic pole
- 13. Multi-angle head adjustment dial
- 14. End cover nut (beneath the cap)
- 15. Chain/sprocket end cover
- 16. End cover nut cap
- 17. Cutting bar sheath
- 18. Hex key wrench/blade screwdriver

Technical Data

Rated Voltage	120V ~ 60 Hz	Multi-Angle Head.....	0° to 30°
Power	8A	Telescopic Shaft	5.8 ft to 8.8 ft (1.8 m to 2.7 m)
No Load Speed	6000 rpm	Overhead Reach.....	Up to 15 ft (4.6 m)
Bar/Chain Length	10 in. (25.4 cm)	Oil Tank Capacity	2 fl oz (60 ml)
Cutting Thickness Max.....	9.5 in. (24.1 cm)	Net Weight.....	7.9 lbs (3.6 kg)
	<i>Recommended: 8.5 in. (21.6 cm)</i>		

Unpacking

Carton Contents

- Electric pole chain saw
- 10 in. (25.4 cm) chain
- 10 in. (25.4 cm) guide bar
- Dual-tipped hex key wrench/blade screwdriver
- Cutting bar sheath
- Manual with registration card

1. Carefully remove the pole chain saw and check to see that all of the above items are supplied.
2. Inspect the product carefully to make sure no breakage or damage occurred during shipping. If you find damaged or missing parts, DO NOT return the unit to the store. Please call the Snow Joe® + Sun Joe® customer service center at 1-866-SNOWJOE (1-866-766-9563).

NOTE: Do not discard the shipping carton and packaging material until you are ready to use your new electric pole chain saw. The packaging is made of recyclable materials. Properly dispose of these materials in accordance with local regulations.

IMPORTANT! The equipment and packaging material are not toys. Do not let children play with plastic bags, foils, or small parts. These items can be swallowed and pose a suffocation risk!

Assembly

⚠ WARNING! Always wear heavy-duty gloves when handling the bar and chain. Mount the bar and chain very carefully so as not to impair the safety and efficiency of the machine. If in doubt, contact an authorized Snow Joe® + Sun Joe® dealer or call the Snow Joe® + Sun Joe® customer service center at 1-866-SNOWJOE (1-866-766-9563).

⚠ WARNING! Unpacking and assembly should be completed on a flat and stable surface, with adequate space for moving the machine and its packaging.

⚠ DANGER! Never start the motor before installing the guide bar, chain, and chain cover. Without all these parts in place, the clutch can fly off or explode, exposing the user to potentially serious injuries.

⚠ WARNING! To avoid serious personal injury, read and understand all safety instructions provided.

⚠ WARNING! Before performing any maintenance, make sure the tool is unplugged from the power supply. Failure to heed this warning could result in serious personal injury.

Installing/Replacing the Guide Bar and Chain

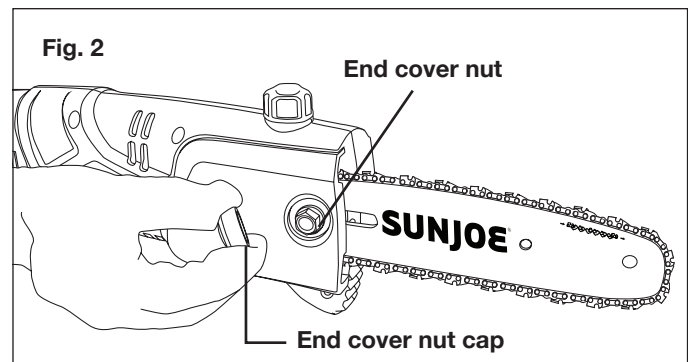
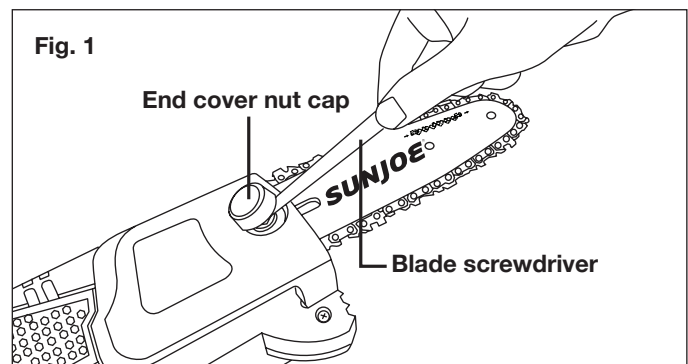
Tools and supplies required:

- Dual-tipped hex key wrench/blade screwdriver (supplied)
- Heavy-duty work gloves

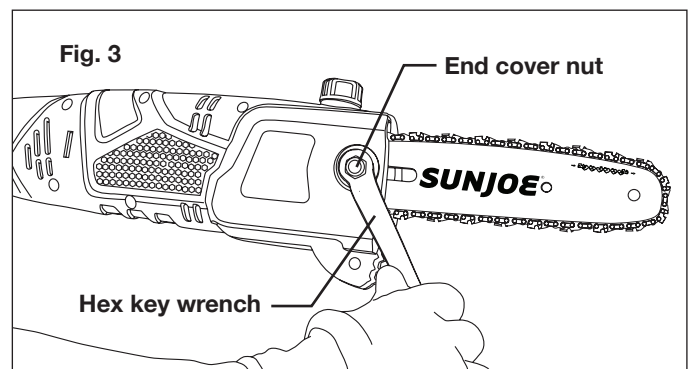
NOTE: When replacing the guide bar and chain, use only identical replacement parts. Make sure the pole chain saw is disconnected from the power supply before proceeding with installation.

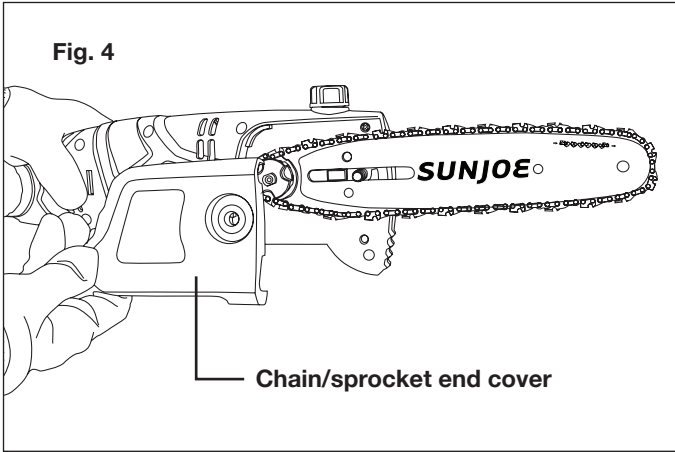
1. Using the supplied flat-tip blade screwdriver, remove the end cover nut cap from the chain/sprocket end cover to expose the end cover nut (Figs. 1 & 2).

TIP: When replacing the chain, slide on the cutting bar sheath temporarily for added protection.

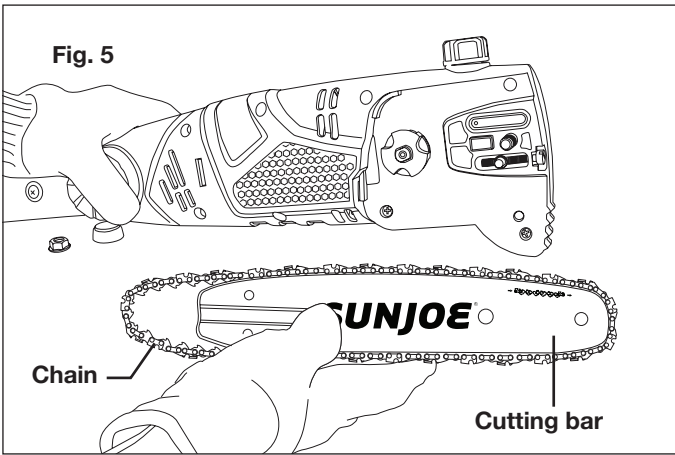


2. Using the supplied hex key wrench, unscrew the end cover nut and remove the chain/sprocket end cover (Figs. 3 & 4).

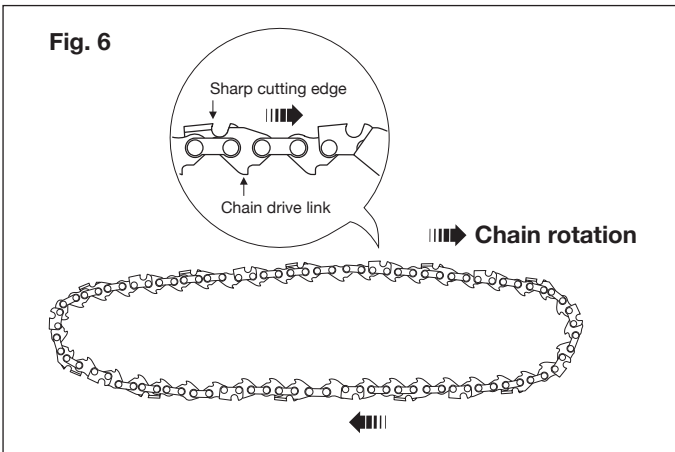




3. Remove the cutting bar and chain from the mounting surface (Fig. 5).

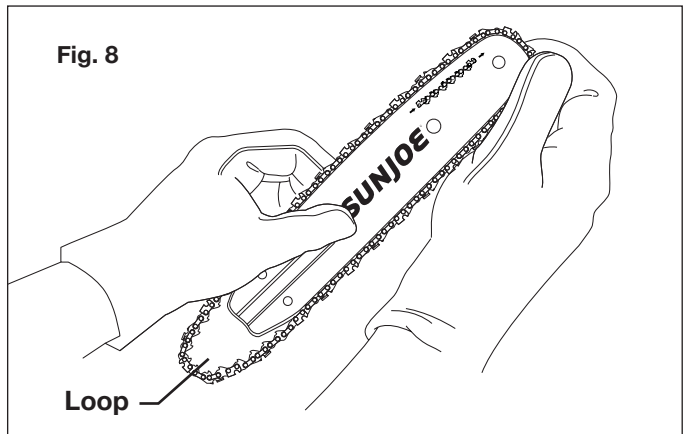
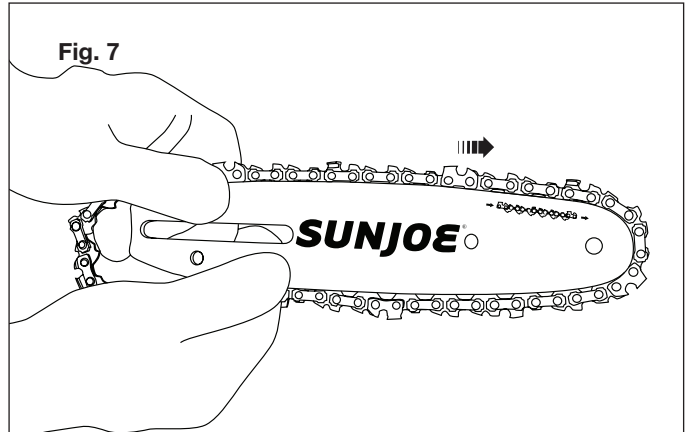


4. Remove the old chain from the bar.
5. Lay out the new saw chain in a loop and straighten any kinks. **THE SHARP SIDE OF THE TEETH MUST FACE AWAY FROM YOU IN THE DIRECTION OF THE CHAIN ROTATION INDICATED ON THE GUIDE BAR** → →. If the teeth face backwards, turn the loop over (Fig. 6).

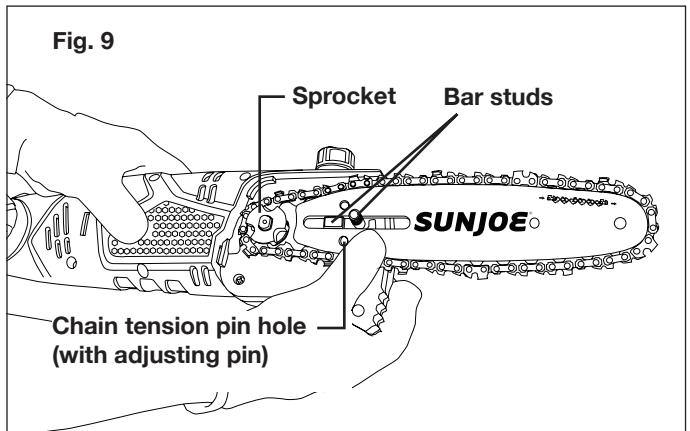


6. Starting at the tip, mount the chain drive links into the bar groove, leaving a loop at the back of the bar. The chain will loosely fit until it is placed on the sprocket (Figs. 7 & 8).

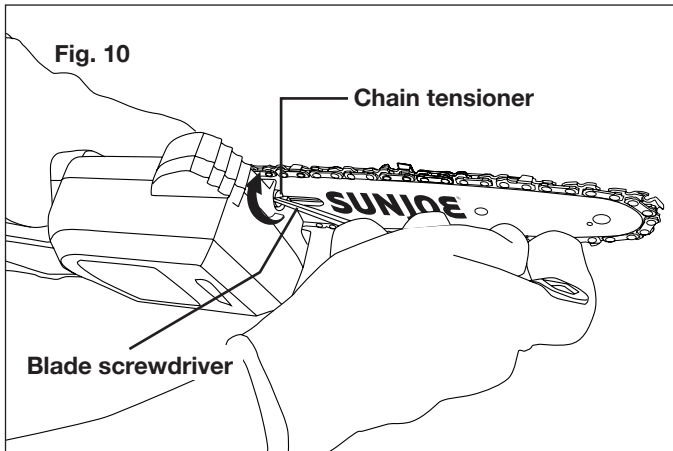
NOTE: Make certain of the direction of the chain → →. If the chain is mounted backwards, the saw will vibrate abnormally and will not cut.



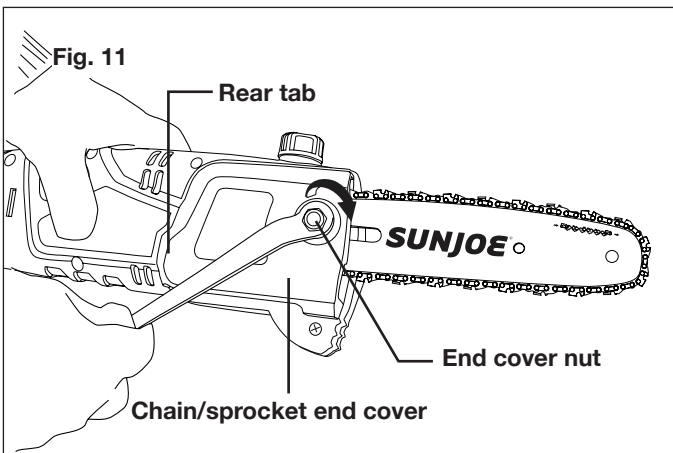
7. Hold the chain in position on the bar and place the loop around the sprocket. Fit the bar flush against the mounting surface so that the bar studs are in the long slot of the bar and the adjusting pin is in the chain tension pin hole (Fig. 9).



- Adjust the chain tension as needed by adjusting the chain tensioner screw with the supplied flat-tip blade screwdriver. Make sure to align the chain tensioner screw with the pin hole (Fig. 10).

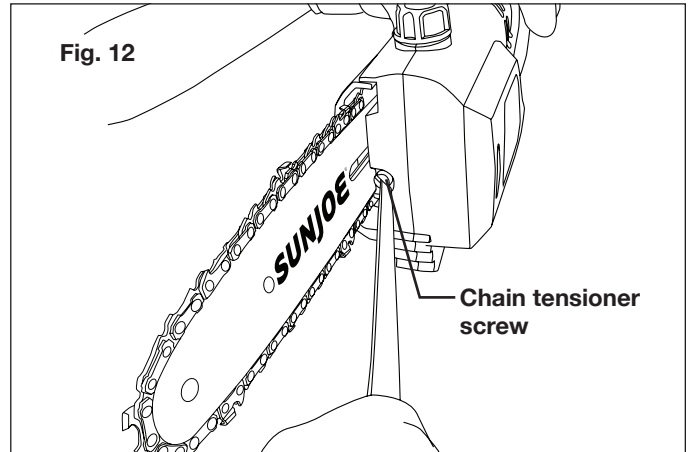


- Replace the chain/sprocket end cover by inserting the rear tab first into the rear tab slot and position the cover onto the saw head. Tighten the end cover nut, but leave the bar free to move for tension adjustment (Fig. 11).

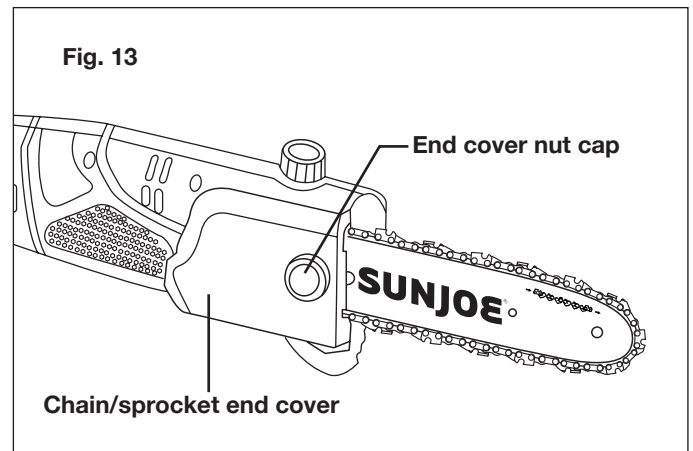


- Remove all slack from the chain by turning the chain tensioner screw clockwise until the chain seats snugly against the bar with the drive links in the bar groove (Fig. 12).

NOTE: The chain is correctly tensioned when there is no sag on the underside of the guide bar; the chain is snug, but can be rotated by hand without binding. For more information on chain tensioning, see the maintenance section beginning on pg. 12.



- Tighten the end cover nut using the hex key wrench (Fig. 11), then replace the end cover nut cap to secure the chain/sprocket end cover (Fig. 13).



NOTE: If the chain is too tight, it will not rotate. Loosen the end cover nut slightly and turn the chain tensioner 1/4 turn counterclockwise. Lift the tip of the guide bar up and retighten the end cover nut. Ensure that the chain can be rotated by hand without binding.

NOTE: A new chain tends to stretch; check the chain tension frequently, and adjust tension as required.

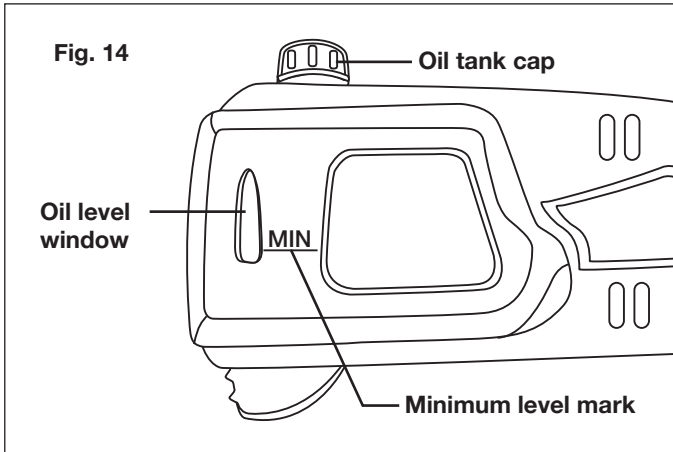
Operation

Starting and Stopping

⚠ CAUTION!

- Before starting the saw, remove the oil tank cap and add bar & chain oil to the top of the oil level window (Fig. 14). One minute of use will consume approximately 0.15 fl oz (4 ml) of oil. Refill when the oil level drops to 1/4 of a tank.

NOTE: Your electric pole chain saw is equipped with an automatic oil pump for bar and chain oiling. You must add bar and chain oil or your pole chain saw will not function.



- Starting, stopping, and restarting an electric motor repeatedly within a few seconds can generate a great deal of heat and damage the motor. To protect the life of your electric pole chain saw, always wait at least five seconds after stopping before restarting the saw.

⚠️ WARNING! Be certain that the chain is not in contact with any object when you start the motor.

⚠️ WARNING! Keep hands away from chain. Keep hands on handles. Do not overreach.

A good, firm grip on the tool using both hands will help you maintain control. When using the pole chain saw, place one hand on the front handle foam grip and the other hand on the rear handle with your thumbs and fingers encircling the pole and handle. A firm grip combined with proper positioning of the handle against your body will help you maintain control of the saw. Do not let go of the pole chain saw while it is in operation.

⚠️ WARNING! Do not operate the pole chain saw in a tree, on a ladder, or on a scaffold. Using the tool under such circumstances is extremely dangerous.

⚠️ CAUTION! The chain will continue to run for several seconds after turning off the tool.

Do not use the pole chain saw under wet conditions. Use extreme caution when cutting small brush, saplings, or limbs under tension because slender and tense material may catch the saw and be whipped toward you, pull you off balance, or spring back.

Do not use the pole chain saw to cut vines and/or small underbrush.

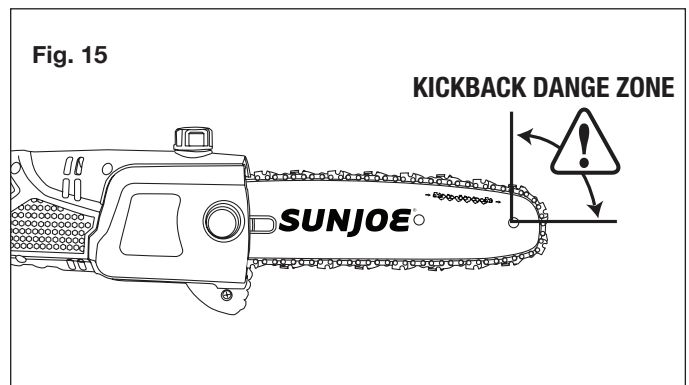
⚠️ WARNING! Do not let familiarity with this type of tool prevent you from taking all necessary precautions. Remember that a careless fraction of a second is sufficient to inflict serious injury.

⚠️ WARNING! Do not cut trees near electrical wires.

⚠️ WARNING! Failure to lubricate the chain will cause damage to the bar and chain. Use only a good quality bar and chain oil designed specifically for use with chain saws. One minute of use will consume approximately 0.15 fl oz. (4 ml) of oil.

NOTE: It is normal for oil to seep from the saw when not in use. To prevent seepage, empty the oil tank after each use. When storing the unit for a long period of time (3 months or longer), be sure the chain is lightly lubricated; this will prevent rust on the chain and bar sprocket.

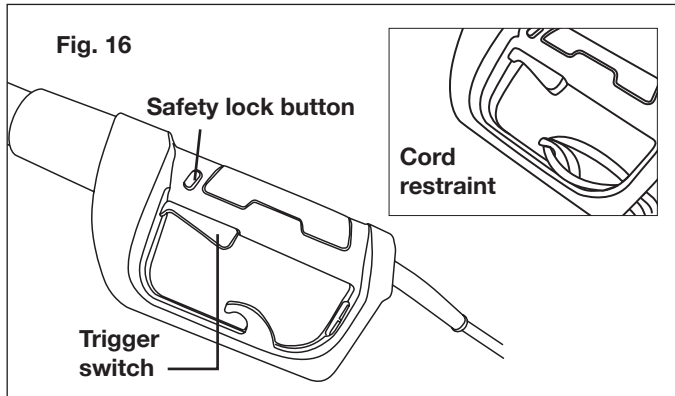
⚠️ WARNING! Be aware of the cord while operating the saw. Keep the cord away from the chain. Be careful not to trip over the extension cord.



⚠️ WARNING! Kickback may occur when the moving chain contacts an object at the upper portion of the tip of the guide bar or when the wood closes in and pinches the chain saw in the cut (Fig. 15). Contact at the upper portion of the tip of the guide bar can cause the chain to dig into the object and stop the chain for an instant. The result is a lightning-fast reverse reaction, which kicks the guide bar up and back toward the operator. If the chain saw is pinched along the top of the guide bar, the guide bar can be driven rapidly back toward the operator. Either of these reactions can cause loss of saw control, which can throw the operator off balance and result in serious injury. Do not rely exclusively upon the safety devices built into the saw. As a user, you should take several precautions to keep your cutting jobs free from accident or injury.

- Prior to each cutting session, run through the daily checklist (see pg. 15).
- Connect the electric pole chain saw to a working 120 V outlet using a heavy-duty outdoor extension power cord, such as the Snow Joe® + Sun Joe® SJTW-A 14-gauge 50-foot extension cord with lighted end (Model PJEXT50-B). Visit sunjoe.com to order online or call 1-866-SNOWJOE (1-866-766-9563) to order by phone.
- Make a loop in the power cord and push it up through the hole in the handle and around the cord restraint hook (Fig. 16), then connect the extension cord to the appliance cord.

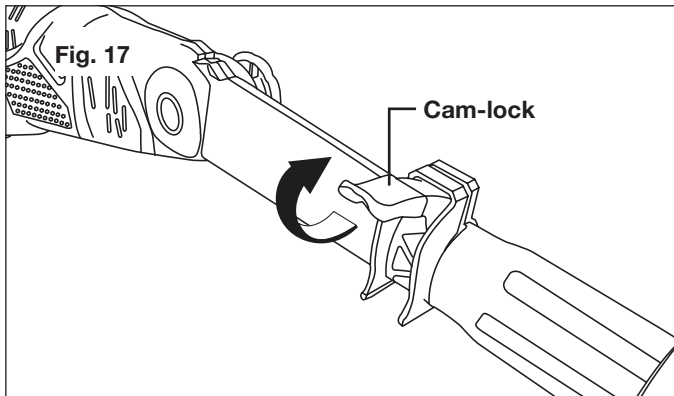
4. To turn the tool ON, push and hold the safety lock button (located on the rear handle) with your thumb and then squeeze the trigger with your fingers. Once the tool is running, you can release the safety lock button (Fig. 16).



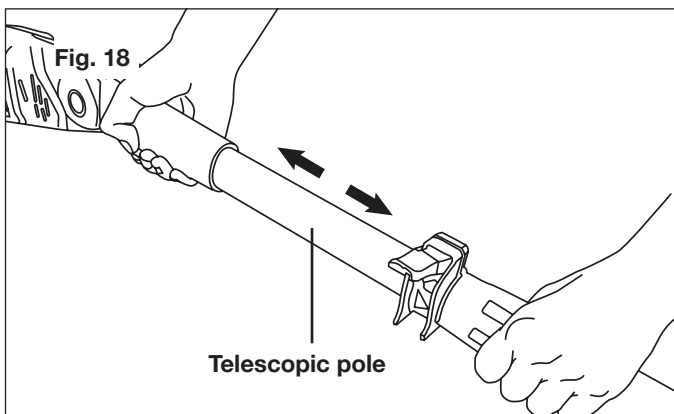
5. To turn the tool OFF, release the trigger switch (Fig. 16).
NOTE: Do not press the trigger switch until you are ready to make a cut.

Adjusting the Telescoping Pole

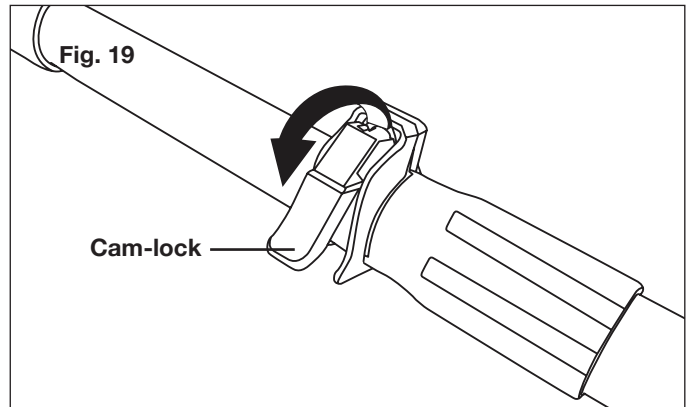
1. Disconnect the saw from the power supply.
2. Unclip the cam-lock to release the pole (Fig. 17).



3. Extend the pole to the desired length (Fig. 18).
NOTE: Push poles toward each other to shorten the pole or pull them away from each other to lengthen the pole. Only extend the pole to the minimum length required to reach the limb to be cut.



4. Lock the pole in position by closing the cam-lock (Fig. 19), and ensure that the pole is secure. If the pole telescopes when the cam-lock is closed, the nut may need tightening.

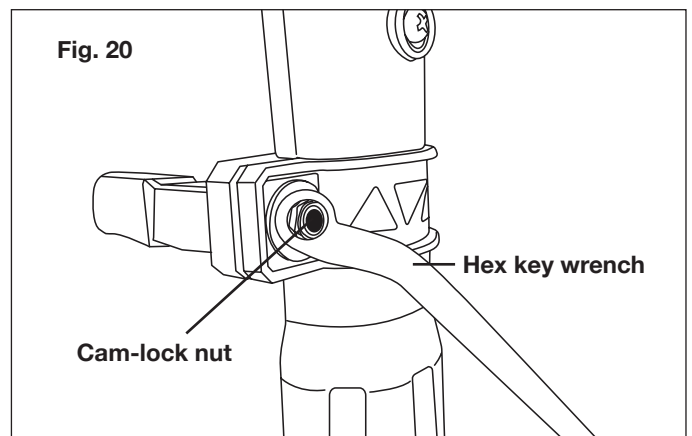


⚠ WARNING! Failure to lock the telescopic pole cam-lock as directed could result in personal injury.

Tightening the Bolt

The retaining bolt may need tightening to secure the telescopic pole in place.

1. Unclip the cam-lock. Using the hex key wrench, tighten the cam-lock nut, then close the cam-lock. Ensure that the pole is secure. The wrench may be required to loosen the cam-lock nut if you need to adjust the pole to a different height (Fig. 20).



Adjusting the Multi-Angle Head

The pole chain saw head can be rotated for different cutting angles from 0° to 30°.

1. Disconnect the pole chain saw from the power supply.
2. Turn the multi-angle head adjustment dial counterclockwise to loosen the head (Fig. 21).

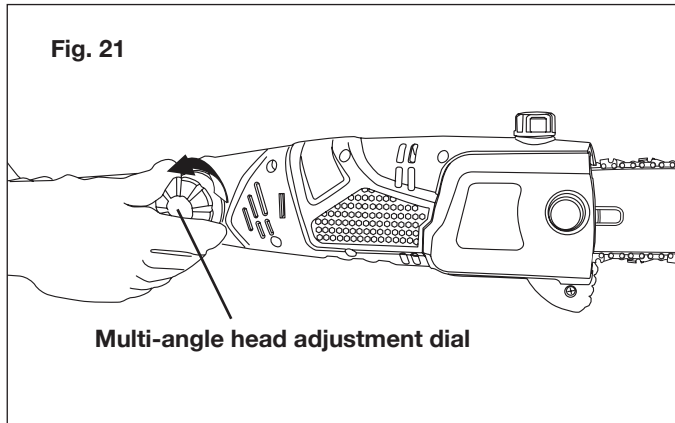


Fig. 21

Multi-angle head adjustment dial

3. Adjust the head to the desired position (Fig. 22).

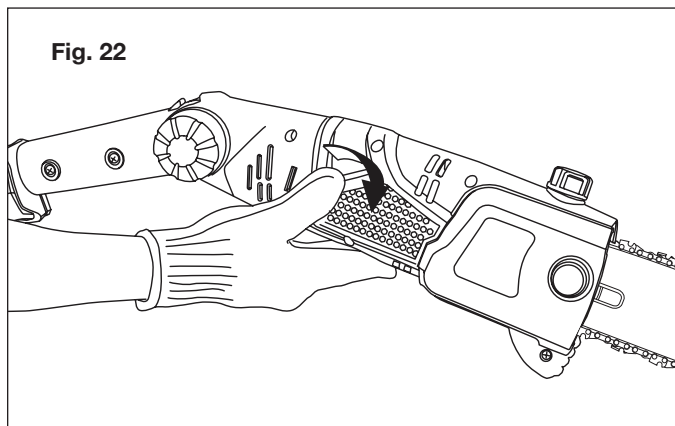


Fig. 22

4. Turn the dial clockwise to tighten and secure the head in place (Fig. 23).

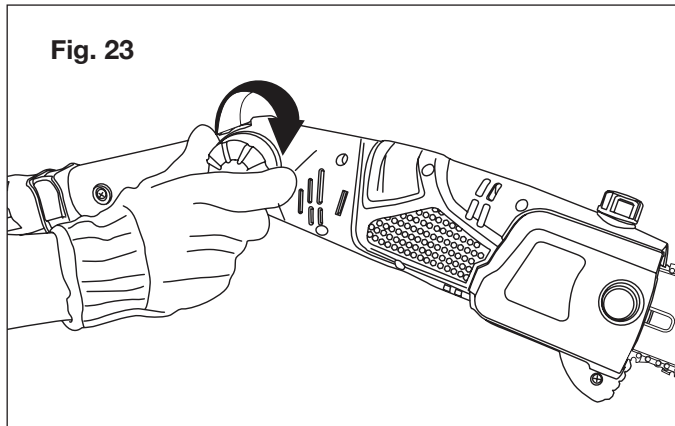


Fig. 23

NOTE: Failure to properly secure the head adjustment dial may result in personal injury and/or property damage.

Cutting Tips

Proper Cutting Stance

- Balance your weight with both feet on solid ground.
- Your body should always be to the left of the chain line.
- The most typical cutting application is to position the unit at an angle of 60° or less depending on the specific situation (Fig. 24). As the angle of the pole chain saw shaft

to the ground increases, the difficulty of making the first cut (from the underside of limb) increases.

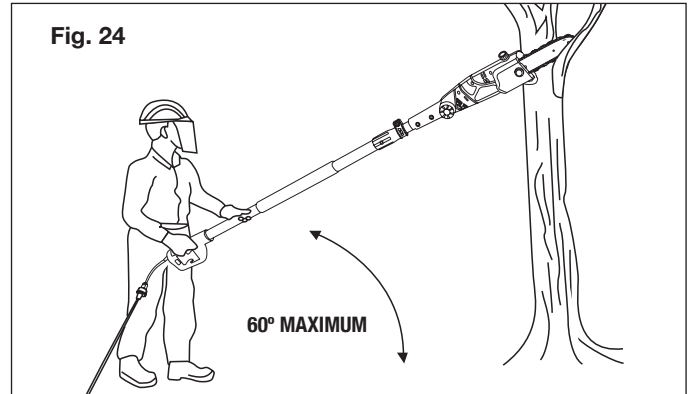


Fig. 24

60° MAXIMUM

Basic Cutting Procedure

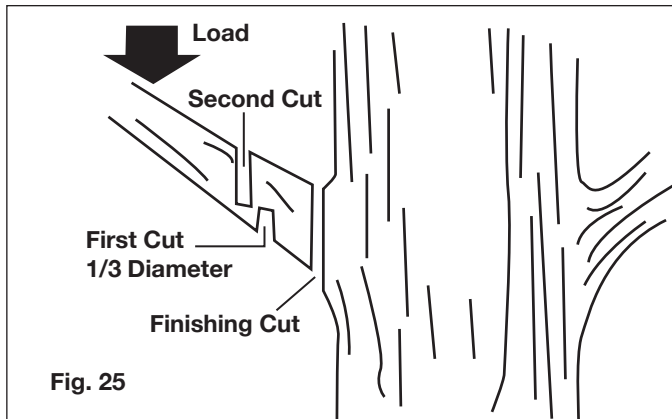
This unit is designed for trimming small branches and limbs up to 9.5 in. (24.1 cm) in diameter depending on the wood type. Practice cutting a few small limbs using the following technique to get the “feel” of using the saw before you begin a major sawing operation.

- Take the proper stance in front of the tree with the saw OFF (Fig. 24).
- Squeeze the trigger and let the chain accelerate to full speed before entering the cut.
- Keep the saw running the entire time you are cutting; maintain a steady speed.
- Allow the chain to cut for you; exert only light downward pressure. If you force the cut, damage to the bar, chain, or unit can result.
- **PUSH and PULL** – This reaction force is always opposite to the direction the chain is moving when it is in contact with the wood. Thus, the operator must be ready to control the **PULL** when cutting on the bottom edge of the bar, and **PUSH** when cutting along the top edge.
- Do not put pressure on the saw at the end of the cut.

Pruning

Pruning is the process of trimming limbs from a live tree.

- Remove long branches in several stages.
- Cut lower branches first to allow the top branches more room to fall.
- When pruning trees, it is important not to make the finishing cut next to the main limb or trunk until you have cut off the farthest lying limb. This will reduce the weight and prevent stripping the bark from the main member.
- Under cut the branch 1/3 through for your first cut. Your second cut should over cut to drop the branch off (Fig. 25). Be prepared to balance the weight of the pole chain saw when the limb falls.



- Now make your finishing cut from the topside of the branch smoothly and neatly against the main member so the bark will grow back to seal the wound.
- Release the trigger ON/OFF switch as soon as the cut is completed. Failure to follow proper cutting procedures will result in the bar and chain binding and becoming pinched or trapped in the limb.

Limbing

Limbing is the process of removing branches from a fallen tree.

- You should cut limbs one at a time. Remove the cut limbs from the work area often to help keep the work area clean and safe.
- Cut branches under tension from the bottom up to avoid binding the pole chain saw.
- Keep the tree between you and the pole chain saw while limbing. Cut from the side of the tree opposite the branch you are cutting.

If the Saw Becomes Pinched or Trapped

1. Wait for the blade to stop, wait five minutes for the saw to cool, unplug the power cord, and wear gloves to protect your hands from the chain teeth.
2. If you can reach the limb from the ground, lift the limb while holding the saw. This should release the “pinch” and free the saw.
3. If the saw is still trapped, call a professional for assistance.

Minimize Kickback

Kickback may occur when the moving chain contacts an object at the upper portion of the tip of the guide bar or when the wood closes in and pinches the pole chain saw in the cut. Contact at the upper portion of the tip of the guide bar can cause the chain to dig into the object and stop the chain for an instant. The result is a lightning-fast reverse reaction, which kicks the guide bar up and back toward the operator. If the pole chain saw is pinched along the top of the guide bar,

the guide bar can be driven rapidly back toward the operator. Either of these reactions can cause loss of saw control, which can result in serious injury. Do not rely exclusively upon the safety devices built into the saw. As a pole chain saw user, you should take several steps to keep your cutting jobs free from accident or injury.

Take the following precautions to minimize kickback:

- Before you start the unit, make sure the pole chain saw is not contacting any object.
- Always grip the pole and handle firmly with both hands when the unit is running. Place one hand on the pole and your other hand on the rear handle with your thumbs and fingers encircling the pole and handle. A firm grip combined with proper positioning of the handle against your body will help you maintain control of the saw if kickback occurs.
- Make sure that the area in which you are cutting is free from obstructions.
- Do not let the kickback danger zone area of the guide bar contact a log, branch, fence, or any other obstruction that could be hit while you are operating the pole chain saw (Fig. 15).
- Always cut with the unit running at full speed. Fully squeeze the ON/OFF trigger and maintain a steady cutting speed.
- Wear non-slip gloves for maximum grip and protection.
- Extend the pole only to the length required to reach the limb cut. Do not extend the rear handle above waist height.

Maintenance

Please contact an authorized Snow Joe® + Sun Joe® dealer or call the Snow Joe® + Sun Joe® customer service center at 1-866-SNOWJOE (1-866-766-9563) for all maintenance operations not foreseen in this manual. Any operation performed in an unauthorized service center or by unqualified personnel will completely invalidate the warranty.

⚠ WARNING! For your safety and that of others:

- Correct maintenance is essential to maintain the original efficiency and safety of the machine over time.
- Keep all nuts, bolts, and screws tight to be sure the equipment is in safe working condition.
- Never use the machine with worn or damaged parts. Damaged parts are to be replaced and never repaired.
- Only use original Snow Joe® + Sun Joe® replacement parts. Parts that are not of the same quality can seriously damage the equipment, compromise safety, and invalidate the warranty.

⚠️ WARNING! Always unplug the power cord before performing any adjustments, maintenance, or repairs to your pole chain saw.

- Use protective gloves when handling the bar and chain.
- Keep the bar encased in its sheath, except when working directly on the bar or the chain.
- Never dispose of oils or other polluting materials in unauthorized places.

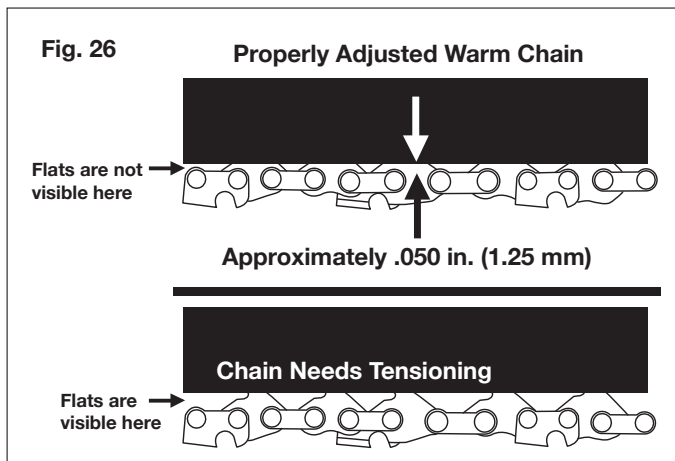
Motor Cooling

To avoid overheating and damage to the motor, always keep the cooling air vents clean and free of sawdust and debris.

Chain Tension

Check the chain tension before using the saw when the chain is cold. The correct tension of a cold chain is when there is no slack on the underside of the guide bar; the chain is snug, but you can rotate it by hand without binding.

During normal saw operation, the temperature of the chain will increase. The drive links of a correctly tensioned warm chain will hang approximately 0.050 in. (1.25 mm) out of the bar groove (Fig. 26). Be aware that a chain tensioned while warm, may be too tight upon cooling. Check the “cold tension” before next use. The chain must be re-tensioned whenever the flats on the drive links hang out of the bar groove (Fig. 26).



NOTE: A new chain tends to stretch. Check the chain tension frequently and re-tension as needed.

Nuts and Screws

Periodically check that all the nuts and screws are tightened securely. Check that the cam-lock that controls the telescoping pole is intact and in proper working order.

Chain Sharpening

⚠️ WARNING! To ensure that the chain saw works safely and efficiently, it is essential that the cutting components are well-sharpened. **It is highly recommended to replace the chain once it loses its ability to cut cleanly and safely.** It is possible, however, to sharpen the existing chain if the sharpening is carefully performed. Any work on the chain and bar requires specific experience and special tools. For safety purposes, we recommend you contact an authorized Snow Joe® + Sun Joe® dealer or call the Snow Joe® + Sun Joe® customer service center at 1-866-SNOWJOE (1-866-766-9563).

Sharpening is necessary when:

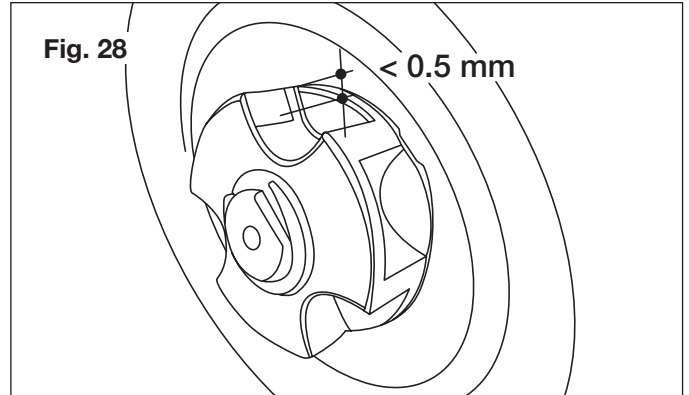
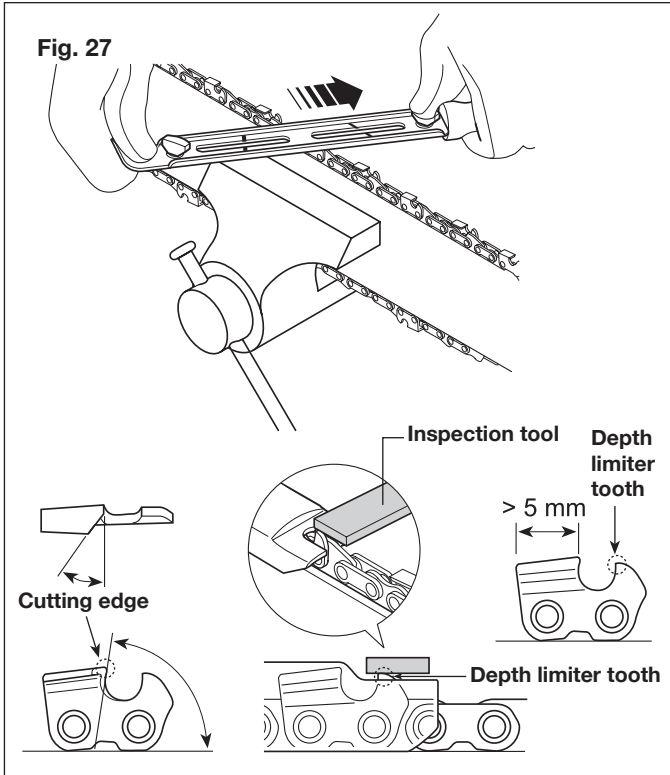
- the sawdust looks like dust;
- cutting becomes more difficult;
- the cut is not straight;
- vibrations increase.

An authorized service center will sharpen the chain using the right tools to ensure minimum removal of material and even sharpness on all the cutting edges.

If you sharpen the chain yourself, use special round-section files with the right diameter depending on the type of chain (see “Chain Maintenance Table” pg. 16). You need a certain amount of skill and experience to avoid damaging the cutting edges.

Sharpen the chain as follows (Fig. 27):

- Secure the bar firmly, with the chain mounted, in a suitable vise.
- Tighten the chain if it is loose.
- Mount the file in the guide and then insert it in the tooth at a constant angle from the cutting edge.
- Sharpen in a forward motion a few times and repeat this on all the cutting edges facing the same way (right or left).
- To move the chain forward, use a screwdriver.
- Turn the bar over in the vise and repeat on all the other cutting edges.
- Check that the depth limiter tooth does not stick out farther than the inspection tool and file any projecting parts with a flat file, rounding off the edges (Fig. 27).
- After sharpening, remove all traces of filing and dust and lubricate the chain in an oil bath. Replace the chain whenever:
 - the length of the cutting edges decreases to 5 mm or less;
 - there is too much play between the links and the rivets.



Guide Bar Maintenance

When the guide bar shows signs of wear, turn it over on the saw to distribute the wear for maximum bar life. Feathering or burring of the bar rails is a normal process of bar wear. You should smooth such faults with a file as soon as they occur.

Replace a bar with any of the following faults:

- wear inside the bar rails permitting the chain to lay over sideways
- bent guide bar
- cracked or broken rails
- spread rails

Turn the saw over, check the underside of the guide bar, and make sure that the lubrication holes and chain groove are free from impurities.

You can purchase replacement parts for your Sun Joe® SWJ803E electric pole chain saw by ordering online at sunjoe.com or, to order by phone, contact Snow Joe® + Sun Joe® customer service at 1-866-SNOWJOE (1-866-766-9563).

Chain Sprocket

Regularly check the condition of the sprocket and replace it when wear exceeds 0.5 mm (Fig. 28).

Do not mount a new chain with a worn sprocket or vice-versa.

Troubleshooting

Troubleshooting Tips

Most difficulties are easy to fix. Consult the troubleshooting table for common problems and their solutions. If you continue to experience problems or need repairs beyond these minor adjustments, please call 1-866-SNOWJOE (1-866-766-9563) for assistance.

⚠ WARNING! Always unplug the power cord before performing any adjustments, maintenance, or repairs to your pole chain saw.

Troubleshooting Table

Problems	Corrective Action
The saw motor fails to start	<ul style="list-style-type: none"> • Check that you installed the extension cord properly into the pole saw power cord receptacle and that you plugged the extension cord into a live 120 V outlet. • Make sure that you fully depress and hold the safety lock button before squeezing the ON/OFF trigger switch.
The saw runs, but the chain speed is low	<ul style="list-style-type: none"> • The chain is too tight; re-tension.
Bar and chain running hot and smoking	<ul style="list-style-type: none"> • The chain tension is too tight; re-tension. • The chain oil tank is empty; refill. • The lubrication holes are plugged; clean them out.
The saw motor runs, but the chain is not turning	<ul style="list-style-type: none"> • The chain tension is too tight; re-tension. • The guide bar or chain is damaged; inspect and replace the damaged part.

Daily Checklist, Cleaning and Storage

Daily Checklist

To help maintain your electric pole chain saw for optimum performance, we recommend you complete this checklist prior to each work session.

⚠ WARNING! Do not plug in the power cord until you have completed all of the daily checks.

- Inspect for any visible damage to the chain, guide bar, or motor housing.
- Inspect the oil port and guide bar rails and clean them to remove any debris.
- Check the chain tension.
- Check the chain teeth for sharpness.
- Check the bar and chain oil level; fill with only new chain oil specifically formulated for chain saws.

NOTE: If you notice anything unusual, such as a vibration or odd sound, shut the saw OFF immediately. Remove the power cord and check the saw for any damage.

If you cannot find the cause of the problem or are uncertain what to do, then have the saw inspected by an authorized Snow Joe® + Sun Joe® dealer or call the Snow Joe® + Sun Joe® customer service center at 1-866-SNOWJOE (1-866-766-9563) before using it.

⚠ CAUTION!

- Remove the power cord and wait at least five minutes for the saw to cool before servicing or storing your unit.
- If you drop the saw, carefully inspect it for damage. If the guide bar is bent, the housing is cracked, the handle is broken, or if you see any other condition that may affect the saw's operation, **DO NOT USE** the tool. Instead, have it serviced at an authorized Snow Joe® + Sun Joe® dealer or call the Snow Joe® + Sun Joe® customer service center at 1-866-SNOWJOE (1-866-766-9563).

Cleaning

Use only mild soap and a damp cloth to clean the pole chain saw. Never let any liquid get inside the motor housing and **NEVER** immerse any part of the saw housing in liquid.

Storage

- Ensure that the guide bar cover is in place when storing.
- Do not store the pole chain saw near chemicals, such as fertilizers or other harsh solvents. Do not expose the plastic parts of the unit to brake fluids, gasoline,

petroleum-based products, penetrating oils, or the like. These products are often highly corrosive and may cause permanent damage, weaken, or destroy the plastic parts of your pole chain saw.

- When not in use, your electric pole chain saw should be stored indoors in a dry and high or locked-up place, out of the reach of children.

Support

If your Sun Joe® SWJ803E electric pole chain saw requires service or maintenance, please call 1-866-SNOWJOE (1-866-766-9563) for assistance.

Model and Serial Numbers

When contacting the company, reordering parts, or arranging service from an authorized dealer, you will need to provide the model and serial numbers, which can be found on the decal located on the housing of the unit. Copy these numbers into the space provided below.


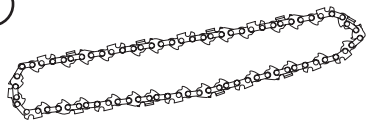

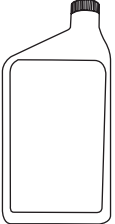
Record the following numbers from the housing or handle of your new product:

Model #:

Serial #:

Optional Accessories

⚠️ WARNING! ALWAYS use only authorized Snow Joe® + Sun Joe® replacement parts and accessories. NEVER use replacement parts or accessories that are not intended for use with this saw. Contact Snow Joe® + Sun Joe® if you are unsure whether it is safe to use a particular replacement part or accessory with your saw. The use of any other attachment or accessory can be dangerous and could cause injury or mechanical damage.

Accessories	Item	Model
	Sun Joe® 10-inch replacement bar	SWJ-10BAR
	Sun Joe® 10-inch replacement chain	SWJ-10CHAIN
	Hex key wrench/blade screwdriver	SWJ802E-TOOL
	Bar and chain oil	SWJ-OIL sold at sunjoe.com or you can purchase equivalent bar and chain oil sold at your local hardware store

NOTE: Accessories are subject to change without any obligation on the part of Snow Joe® + Sun Joe® to provide notice of such changes. Accessories can be ordered online at sunjoe.com or via phone by contacting the Snow Joe® + Sun Joe® customer service center at 1-866-SNOWJOE (1-866-766-9563).

Chain Maintenance Table

Drive Links	Chain Pitch		Chain Gauge		File Diameter	
	inches	mm	inches	mm	inches	mm
40	3/8	9.5	0.05	1.3	5/32	4



SNOW JOE® + SUN JOE® CUSTOMER PROMISE

ABOVE ALL ELSE, Snow Joe, LLC (“Snow Joe”) is dedicated to you, our customer. We strive to make your experience as pleasant as possible. Unfortunately, there are times when a Snow Joe®, Sun Joe®, or Aqua Joe® product (“Product”) does not work or breaks under normal operating conditions. We think it’s important that you know what you can expect from us. That’s why we have a Limited Warranty (“Warranty”) for our Products.

OUR WARRANTY:

Snow Joe warrants new, genuine, powered and non-powered Products to be free from defects in material or workmanship when used for ordinary household use for a period of two years from the date of purchase by the original, end-user purchaser when purchased from Snow Joe or from one of Snow Joe’s authorized sellers with proof of purchase. Because Snow Joe is unable to control the quality of its Products sold by unauthorized sellers, unless otherwise prohibited by law, this Warranty does not cover Products purchased from unauthorized sellers. If your Product does not work or there’s an issue with a specific part that is covered by the terms of this Warranty, Snow Joe will elect to either (1) send you a free replacement part, (2) replace the Product with a new or comparable product at no charge, or (3) repair the Product. How cool is that!

This Warranty gives you specific legal rights, and you may also have other rights which vary from State to State.

PRODUCT REGISTRATION:

Snow Joe strongly encourages you to register your Product. You can register online at snowjoe.com/register, or by printing and mailing in a registration card available online from our website, or calling our Customer Service Department at **1-866-SNOWJOE (1-866-766-9563)**, or by e-mailing us at help@snowjoe.com. Failure to register your Product will not diminish your warranty rights. However, registering your Product will allow Snow Joe to better serve you with any of your customer service needs.

WHO CAN SEEK LIMITED WARRANTY COVERAGE:

This Warranty is extended by Snow Joe to the original purchaser and original owner of the Product.

WHAT IS NOT COVERED?

This Warranty does not apply if the Product has been used commercially or for non-household or rental applications. This Warranty also does not apply if the Product was purchased from an unauthorized seller. This Warranty also does not cover cosmetic changes that do not affect performance. Wearing parts like belts, augers, chains and tines are not covered under this Warranty, and can be purchased at snowjoe.com or by calling **1-866-SNOWJOE (1-866-766-9563)**.





MANUAL DEL OPERADOR

Una división de Snow Joe®, LLC

MOTOSIERRA ELÉCTRICA DE ALTURA

25.4 cm | 8 A

Modelo SWJ803E

ES

Forma No. SJ-SWJ803E-880S-MR8

¡IMPORTANTE!

Instrucciones de seguridad

Todos los operadores deberán leer estas instrucciones antes del uso

Siga siempre estas normas de seguridad. No hacerlo podría resultar en lesiones corporales severas o incluso la muerte.

⚠ ¡PELIGRO! Esto indica una situación peligrosa que, de no ser evitada, dará como resultado lesiones severas o la muerte.

⚠ ¡ADVERTENCIA! Esto indica una situación peligrosa que, de no ser evitada, puede resultar en lesiones severas o la muerte.

⚠ ¡PRECAUCIÓN! Esto indica una situación peligrosa, la cual, de no ser evitada, puede resultar en lesiones menores o moderadas.

Seguridad general

⚠ ¡ADVERTENCIA! Usted debe tomar precauciones básicas de seguridad siempre que utilice herramientas eléctricas para jardín con el fin de reducir el riesgo de incendio, choque eléctrico y daños personales, incluyendo lo siguiente:

- 1. Mantenga los protectores en su lugar:** los dispositivos de seguridad deben ser inspeccionados periódicamente para garantizar que estén colocados apropiadamente y funcionando correctamente.
- 2. Retire las llaves de ajuste e inglesas:** compruebe que las llaves de ajuste hayan sido retiradas de la motosierra antes de encenderla.
- 3. Mantenga el área de trabajo limpia y bien iluminada:** limpie el área de trabajo de ramas y tallos luego de cada sesión de corte. Las áreas abarrotadas provocan accidentes.
- 4. No la use en entornos peligrosos:** no use herramientas eléctricas en lugares húmedos o mojados.
- 5. No utilice la motosierra de altura bajo la lluvia.**
- 6. Mantenga alejados a los niños y transeúntes:** todos los transeúntes, incluidos niños y mascotas, deberán permanecer alejados a una distancia segura del área de trabajo.

- 7. No fuerce la herramienta:** hará el trabajo de una forma eficiente y segura si se usa a la velocidad para la cual fue diseñada.
- 8. Utilice la herramienta correcta:** no fuerce la herramienta o ningún accesorio para realizar un trabajo para el cual no fueron diseñados.
- 9. Use vestimenta adecuada:** no use joyas ni ropa suelta u holgada ya que pueden ser atrapadas por las partes móviles. Al trabajar en exteriores con herramientas eléctricas, se recomienda el uso de guantes de goma de alta resistencia, calzado protector anti-resbalos y ropa que se ajuste a su cuerpo.
- 10. Utilice cubiertas protectoras de cabello para sujetar y contener cabellos largos.**
- 11. Use siempre gafas protectoras y audífonos para proteger sus ojos y oídos:** las gafas de uso diario solo tienen lentes resistentes a los impactos y no proporcionan la misma protección que las gafas de seguridad.
- 12. Use máscaras para el rostro o contra el polvo:** si la operación de corte es polvorienta, se recomienda el uso de una máscara para el rostro o contra el polvo, diseñada para filtrar partículas microscópicas.
- 13. No se sobreextienda:** mantenga con sus pies balance y posición adecuados en todo momento.
- 14. Cuide sus herramientas:** mantenga las herramientas afiladas y limpias para el mejor y más seguro funcionamiento. Siga las instrucciones para la lubricación y cambio de accesorios.
- 15. Desconecte la herramienta:** desconecte la motosierra de altura de la fuente de alimentación cuando no esté siendo usada, antes de ser reparada, al transportarla o al cambiar la cadena u otro accesorio.
- 16. Reduzca el riesgo de encendidos accidentales:** asegúrese de que el interruptor esté en la posición de APAGADO antes de enchufar la herramienta a una fuente de alimentación.
- 17. Use accesorios recomendados:** consulte el manual del usuario para los accesorios recomendados. El uso de accesorios incorrectos puede causar lesiones.
- 18. Compruebe que no existan partes dañadas:** antes de cada uso, repare o reemplace cualquier protector o parte que esté dañada. Adicionalmente, verifique el alineamiento de las partes móviles, las juntas de las partes móviles, roturas de las partes y cualquier otra condición que pueda afectar el funcionamiento de la herramienta.

19. **Nunca deje la herramienta sin atender mientras está funcionando:** APÁGUELA desenchufando el cable de alimentación, directamente de su enchufe. No abandone la motosierra hasta que la barra de corte se haya detenido por completo.
20. **Evite los encendidos accidentales:** no transporte la motosierra de altura con su dedo sobre el interruptor.
21. **No agarre ni levante el artefacto por la cuchilla de corte expuesta o bordes afilados:** asegúrese de cubrir la barra de corte con su funda protectora cuando no esté en uso.
22. **Manténgase alerta:** vea lo que está haciendo. Utilice su sentido común. No opere la motosierra de altura cuando usted esté cansado.
23. **Guarde las herramientas inactivas en interiores:** cuando no estén en uso, las herramientas deben almacenarse bajo techo en un lugar seco, alto o bajo llave, fuera del alcance de los niños.

Seguridad eléctrica

1. Un interruptor de circuito de falla de conexión a tierra (GFCI) deberá proteger al(a los) circuito(s) o tomacorriente(s) a ser utilizado(s) para la motosierra de altura. Hay receptáculos disponibles con protección incorporada GFCI y pueden ser utilizados para esta medida de seguridad.
2. Para evitar un choque eléctrico, emplee solo cables de extensión adecuados para uso en exteriores, tales como SW-A, SOW-A, STW-A, STOW-A, SJW-A, SJOW-A, SJTW-A o SJTOW-A.

Antes del uso, verifique que el cable de extensión esté en buenas condiciones. Al usar un cable de extensión, asegúrese de que sea lo suficientemente fuerte como para poder transportar toda la electricidad que su equipo consumirá. Un cable de extensión demasiado fino causará una caída de tensión de alimentación produciendo pérdida de potencia y recalentamiento.
3. Para reducir el riesgo de un choque eléctrico, este artefacto posee un enchufe polarizado (es decir, una pata es más ancha que la otra). Use este artefacto solo con un cable de extensión polarizado y aprobado por UL, CSA o ETL para uso en exteriores y todo tipo de clima. El enchufe del artefacto encajará en el receptáculo del cable de extensión polarizado de una sola manera.

Si el enchufe del artefacto no entra por completo dentro del receptáculo del cable de extensión, invierta las clavijas del enchufe. Si el enchufe del artefacto aún no encaja, obtenga un cable de extensión polarizado correcto. Un cable de extensión polarizado requerirá el uso de un tomacorriente polarizado. El enchufe del cable de extensión encajará en el tomacorriente polarizado de la pared de una sola manera. Si el enchufe del cable de extensión no entra por completo dentro del tomacorriente de la pared, invierta las clavijas del enchufe. Si el enchufe del cable de extensión aún no encaja, contacte a un electricista calificado para la instalación de un

tomacorriente de pared apropiado. No modifique el enchufe del artefacto, ni el receptáculo del cable de extensión ni el enchufe del cable de extensión en ninguna manera.



¡ADVERTENCIA!



Un choque eléctrico puede causar DAÑOS SEVEROS o MUERTE. Tenga en cuenta estas advertencias:

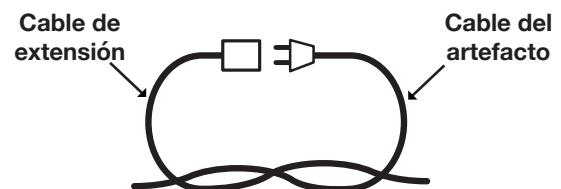
- No deje que ninguna parte de la motosierra de altura haga contacto con el agua mientras esté funcionando. Si el artefacto se moja mientras está apagado, séquelo antes de encenderlo.
- Use solo un cable de extensión aprobado por UL, CSA o ETL para uso en exteriores y todo tipo de clima.
- No use un cable de extensión de más de 100 pies (30 m).
- No toque el artefacto o su enchufe con las manos húmedas, o mientras esté parado sobre agua. Usar botas de hule le dará algo de protección.

TABLA DE CABLES DE EXTENSIÓN

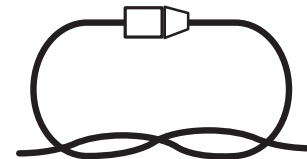
Longitud de cable:	Hasta 50 pies (15 m)	+50 pies - 100 pies (+15 m - 30 m)
Calibre de alambre mínimo (AWG):	16	14

4. Para evitar que el cable del artefacto se desconecte del cable de extensión al usarlo, haga un nudo con los dos cables tal como se muestra en la Tabla 1.

Tabla 1. Método para asegurar el cable de extensión



(A) Ate el cable como se indica



(B) Conecte el enchufe y el receptáculo

5. No maltrate el cable. Nunca jale la motosierra de altura por el cable, ni tire de este para desconectar la motosierra de altura del enchufe. Mantenga el cable alejado del calor, aceites y bordes filosos.

Reglas de seguridad específicas para motosierras de altura

¡ADVERTENCIA! ¡PELIGRO de un choque eléctrico!


Para protegerse de un choque eléctrico, no opere la motosierra de altura a menos de 50 pies (15 m) de distancia de cables aéreos de alta tensión. No seguir esta advertencia puede causar lesiones personales severas.

Consejos de operación para motosierras de altura

- Fíjese en la ubicación del cable de extensión relativa a la herramienta. Al operar la motosierra de altura, tenga cuidado de no tropezar con el cable.
- Mantenga el cable alejado de la cadena de corte y del operador en todo momento.
- Mantenga a los niños, animales y espectadores a una distancia segura de la motosierra de altura y del cable de extensión.
- Solo el operador de la motosierra de altura deberá estar en el área de trabajo.
- No utilice la motosierra de altura para talar árboles.
- Utilice siempre las dos manos al operar la motosierra de altura. Sujete la motosierra de altura de forma segura con una mano en el gatillo interruptor, y la otra mano en el tubo.
- Antes de encender la motosierra de altura, asegúrese de que la cadena de corte no esté en contacto con ningún objeto.
- No permita que la motosierra de altura haga contacto con objetos puestos a tierra tales como tuberías, cercas de alambre y postes de metal.
- No fuerce la motosierra de altura durante el corte. Aplique una presión leve. Funcionará de una forma más segura y efectiva si es usada a la velocidad para la cual fue diseñada.
- Tenga muchísimo cuidado al cortar una rama que esté bajo tensión. Cuando la tensión de la madera es liberada, la rama puede recuperar su elasticidad y golpear violentamente al operador, causándole lesiones severas o la muerte.
- No transporte una unidad enchufada. Lleve la motosierra de altura de un lugar a otro con la unidad desenchufada. Durante el transporte, sostenga el tubo en su centro de equilibrio (cerca al extremo de la motosierra), con la barra-guía y cadena de corte apuntando hacia atrás.
- No corte arbustos y árboles jóvenes pequeños con la motosierra de altura. Las ramas pequeñas pueden engancharse en la cadena de corte y ser azotadas contra el operador, haciéndole perder el equilibrio.

- Mantenga todas las partes del cuerpo alejadas de cadena de corte.
- No retire material cortado, ni sujete el material a ser cortado, cuando las cuchillas estén moviéndose. Asegúrese de que el interruptor esté apagado al retirar material atascado. La cadena de corte continúa moviéndose luego de que el interruptor haya apagado la motosierra. Un momento de distracción durante el uso de la motosierra de altura puede causar graves lesiones personales.
- Lleve la motosierra de altura por su mango, con la cadena de corte detenida. Al transportar o almacenar la motosierra de altura, colóquela siempre su funda de barra-guía. Una manipulación correcta de la motosierra de altura reducirá la posibilidad de lesiones personales causadas por la cadena de corte.
- Sujete la motosierra de altura motorizada solamente por sus superficies de sujeción aisladas, debido a que la cadena de corte puede hacer contacto con alambres ocultos o con su propio cable de alimentación. Una cadena de corte que haga contacto con un alambre con corriente eléctrica puede exponer las partes de la motosierra de altura a la electricidad y causar un choque eléctrico al operador.
- Mantenga el cable alejado del área de corte. Durante la operación, el cable puede estar oculto en arbustos y puede ser cortado de forma accidental por la cadena de corte.
- No use la motosierra de altura en exteriores y en mal tiempo, especialmente cuando haya un riesgo de rayos. Esto reduce el riesgo de ser fulminado por un rayo.
- Use siempre protección para la cabeza al cortar con esta motosierra de altura en áreas elevadas. Los desechos que caigan pueden causar lesiones personales severas.

Contragolpe

 ¡ADVERTENCIA! El contragolpe puede ocurrir cuando la nariz o la punta de la barra-guía tocan un objeto, o cuando la madera se cierra y aprieta la motosierra durante el corte.

EVITE QUE LA PUNTA DE LA BARRA-GUÍA HAGA CONTACTO CON OBJETO ALGUNO. En algunos casos, cuando la punta hace contacto con un objeto, puede causar una reacción en reversa extremadamente rápida, lanzando la barra-guía hacia arriba y hacia atrás, en dirección del operador. Apretar la cadena de corte a lo largo de la parte superior de la barra-guía puede también empujar la barra-guía rápidamente hacia el operador. Cualquiera de estas reacciones puede hacer que usted pierda el control de la motosierra de altura, lesionándose severamente.

- Los dispositivos de seguridad contra contragolpes en esta motosierra de altura incluyen una cadena saltadora y una barra-guía de contragolpe controlado. Estos dispositivos reducirán, pero no prevendrán por completo, los

contragolpes. Siga las precauciones necesarias indicadas en este manual del operador para evitar los contragolpes.

- Use siempre ambas manos al operar la motosierra de altura, una mano sujetando el gatillo y la otra mano sujetando el tubo. Sujétela firmemente. Los pulgares y los dedos deben rodear el gatillo y el tubo.
- La motosierra de altura debe tener todos sus protectores instalados. Asegúrese de que dichos protectores funcionen correctamente.
- No se sobreextienda o extienda sus brazos por encima de la altura de sus hombros.
- Asegúrese de estar de pie apropiadamente, manteniendo un equilibrio apropiado en todo momento.
- Nunca intente cortar dos ramas al mismo tiempo. Corte solo una por vez.
- No entierre la nariz de la barra-guía, ni trate de cortar empujando la nariz de la barra-guía dentro de la madera.
- Esté pendiente del desplazamiento de la madera u otras fuerzas que puedan aprisionar la cadena.
- Tenga muchísimo cuidado al re-entrar un corte previo.
- Use la cadena y barra-guía de contragolpe controlado suministradas con la motosierra de altura. Use solo partes de repuesto originales Snow Joe® + Sun Joe®, diseñadas específicamente para su uso con esta motosierra de altura.
- Nunca use una cadena gastada o suelta. Mantenga la cadena afilada y con una tensión adecuada.

Precauciones para el corte con la motosierra de altura.

- Nunca se pare directamente debajo de la rama que está cortando. Colóquese siempre lejos de la ruta de caída de las ramas y demás residuos.
- Nunca esté parado en una escalera u otro tipo de soporte inestable al usar la motosierra de altura.
- Mantenga los mangos y superficies de agarre secos, limpios y libres de aceites o grasas.
- Utilice siempre ambas manos para operar la motosierra de altura. Mantenga una presión firme y constante en la motosierra de altura durante el corte, pero no trate de cortar ramas de un diámetro mayor que la longitud de la barra-guía.
- Mantenga a las demás personas y mascotas alejadas del extremo de corte de la motosierra de altura y a una distancia segura del área de trabajo.
- No use la motosierra de altura cerca de líneas de alta tensión, teléfono o TV por cable. Manténgase a una distancia mínima de 50 pies (15 m) de todas las líneas de alta tensión.

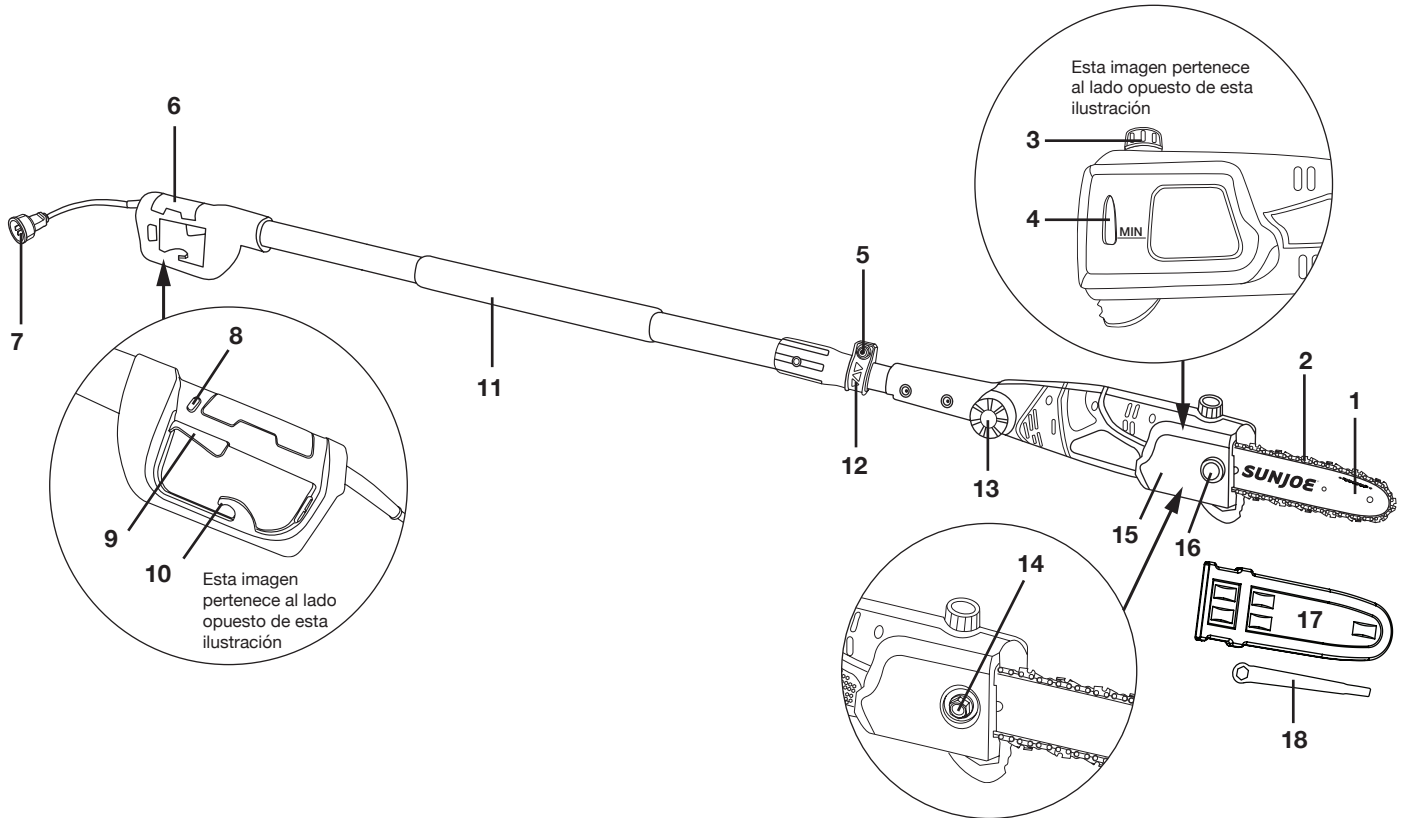
Símbolos de seguridad

La siguiente tabla muestra y describe los símbolos de seguridad que pueden aparecer en este producto. Lea, comprenda y siga todas las instrucciones relacionadas a la unidad antes de intentar ensamblarla y operarla.

Símbolo	Descripción	Símbolo	Descripción
	LEA EL(LOS) MANUAL(ES) DEL OPERADOR: lea, comprenda y siga todas las instrucciones en el(los) manual(es) antes de intentar ensamblar y operar la unidad.		Mantenga a los transeúntes y niños alejados a una distancia segura.
	ALERTA DE SEGURIDAD: indica una precaución, advertencia o peligro.		¡ADVERTENCIA! No exponga la unidad a la lluvia o a condiciones húmedas.
	Use equipos de protección personal, incluyendo ropa que se adhiera a su cuerpo.		USE PROTECCIÓN OCULAR Y AUDITIVA: para protegerse contra lesiones, use protectores auditivos y gafas protectoras.
	¡PRECAUCIÓN! Evite el contacto de la punta de la barra-guía con cualquier objeto. El contacto con la punta puede causar que la barra-guía se mueva repentinamente hacia arriba y hacia atrás, causando lesiones severas al usuario.		¡ADVERTENCIA! PELIGRO DE CHOQUE ELÉCTRICO: manténgase a una distancia mínima de 50 pies (15 m) de las líneas de alta tensión. No se sobreextienda. Mantenga con sus pies balance y posición adecuados todo el tiempo.
 	¡PELIGRO! CUCHILLAS GIRATORIAS: mantenga las manos y pies lejos de las aberturas cuando la motosierra esté funcionando.	 	Utilice guantes protectores y calzado no deslizante al usar la máquina y al manipular desechos.
	¡APÁGUELA! Desconecte el enchufe del tomacorriente antes de limpiar o llevar a cabo rutinas de mantenimiento.		¡APÁGUELA! Retire el enchufe del tomacorriente inmediatamente si el cable está cortado o dañado.
	La parte giratoria seguirá girando continuamente durante varios segundos después de que haya apagado la máquina.		Doble aislamiento.

Conozca su motosierra eléctrica de altura

Lea detenidamente este manual del operador y las instrucciones de seguridad antes de operar su motosierra eléctrica de altura. Compare la ilustración debajo con su motosierra de altura para familiarizarse con la ubicación de los diversos controles y ajustes. Conserve este manual para futuras referencias.



- | | |
|---|---|
| 1. Barra-guía de 10 plg | 11. Empuñadura de espuma |
| 2. Cadena de 10 plg | 12. Seguro de leva para tubo telescópico |
| 3. Tapón de tanque de aceite | 13. Dial de ajuste de cabezal multi-ángulo |
| 4. Ventana indicadora de nivel de aceite | 14. Tuerca de cubierta de extremo (debajo de la tapa) |
| 5. Tuerca de seguro de leva para tubo telescópico | 15. Cubierta de extremo de cadena/piñón |
| 6. Mango posterior | 16. Tapa de tuerca de cubierta de extremo |
| 7. Cable del artefacto | 17. Funda de barra de corte |
| 8. Botón de trabado de seguridad | 18. Llave hexagonal/destornillador plano |
| 9. Gatillo interruptor | |
| 10. Gancho de sujeción para cable de extensión | |

Datos técnicos

Voltaje nominal	120 V CA ~ 60 Hz	Cabezal multi-ángulo	0° a 30°
Amperaje	8 A	Eje telescópico	5.8 pies a 8.8 pies (1.8 m a 2.7 m)
Velocidad sin carga	6,000 RPM		Hasta 15 pies (4.6 m)
Longitud de barra/cadena.....	10 plg (25.4 cm)	Capacidad del tanque de aceite	2 fl oz (60 ml)
Grosor de corte máximo	9.5 plg (24.1 cm)	Peso neto	7.9 lb (3.6 kg)
	<i>Recomendado: 8.5 plg (21.6 cm)</i>		

Desembalaje

Contenido del paquete

- Motosierra eléctrica de altura
- Cadena de 10 plg (25.4 cm)
- Barra-guía de 10 plg (25.4 cm)
- Llave hexagonal de doble punta/destornillador plano
- Funda de barra de corte
- Manual con tarjeta de registro

1. Retire cuidadosamente la motosierra de altura y compruebe que todos los artículos anteriores estén suministrados.
2. Inspeccione cuidadosamente el producto para asegurarse de que no haya ocurrido ningún daño o ruptura durante el transporte. Si alguna parte está dañada o extraviada, **NO DEVUELVA** la unidad a la tienda. Llame al centro de servicio al cliente Snow Joe® + Sun Joe® al 1-866-SNOWJOE (1-866-766-9563).

NOTA: no se deshaga de la caja de transporte ni del material de embalaje hasta que usted esté listo para usar su motosierra eléctrica de altura. El empaquetado está hecho de materiales reciclables. Deseche estos materiales en conformidad a los reglamentos locales.

¡IMPORTANTE! El equipo y los materiales de embalaje no son juguetes. No deje que los niños jueguen con bolsas plásticas, láminas o partes pequeñas. ¡Estos objetos pueden ser tragados y representan un riesgo de asfixia!

Ensamblado

⚠ ¡ADVERTENCIA! Use siempre guantes resistentes al manipular la barra y la cadena. Monte la barra y la cadena con extremo cuidado para no perjudicar la seguridad y eficiencia de la máquina. Si no está seguro, contacte a un concesionario autorizado Snow Joe® + Sun Joe® o llame a la central de servicio al cliente Snow Joe® + Sun Joe® al 1-866-SNOWJOE (1-866-766-9563).

⚠ ¡ADVERTENCIA! El desempacado y ensamblado debe ser realizado en una superficie plana y estable, con un espacio adecuado para mover la máquina y su embalaje.

⚠ ¡PELIGRO! Nunca arranque el motor antes de instalar la barra-guía, cadena y cubierta de cadena. Sin todas estas partes en su lugar, el embrague puede salir volando o explotar, exponiendo al usuario a lesiones potenciales severas.

⚠ ¡ADVERTENCIA! Para evitar lesiones personales severas, lea y entienda todas las instrucciones de seguridad proporcionadas.

⚠ ¡ADVERTENCIA! Antes de llevar a cabo cualquier tarea de mantenimiento, asegúrese de que la herramienta esté desenchufada de la fuente de alimentación. No seguir esta advertencia podría resultar en lesiones severas.

Instalación y reemplazo de la barra-guía y cadena

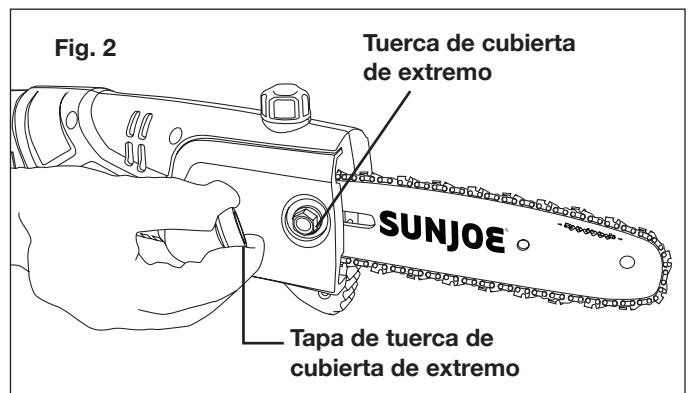
Herramientas y suministros requeridos:

- Llave hexagonal de doble punta/ destornillador plano (suministrados); y
- Guantes resistentes para trabajo

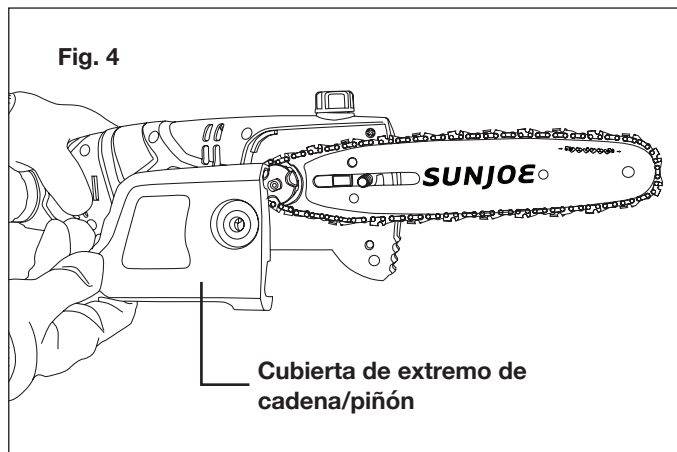
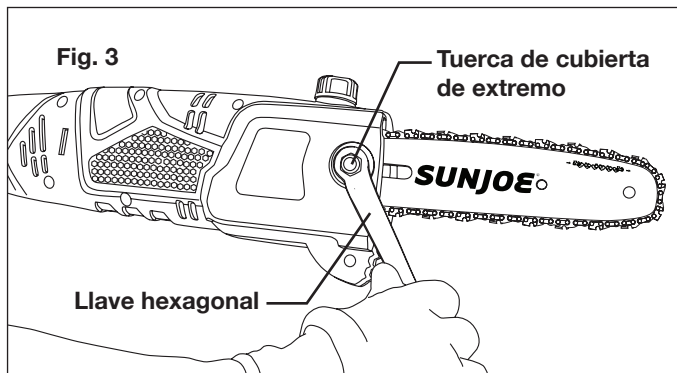
NOTA: al reemplazar la barra-guía y la cadena, use solo partes de repuesto idénticas. Asegúrese de que la motosierra de altura esté desconectada de la fuente de alimentación antes de proceder con la instalación.

1. Usando el destornillador de punta plana suministrado, retire la tapa de tuerca de la cubierta de la cadena/piñón para exponer la tuerca de cubierta de extremo (Figs. 1 y 2).

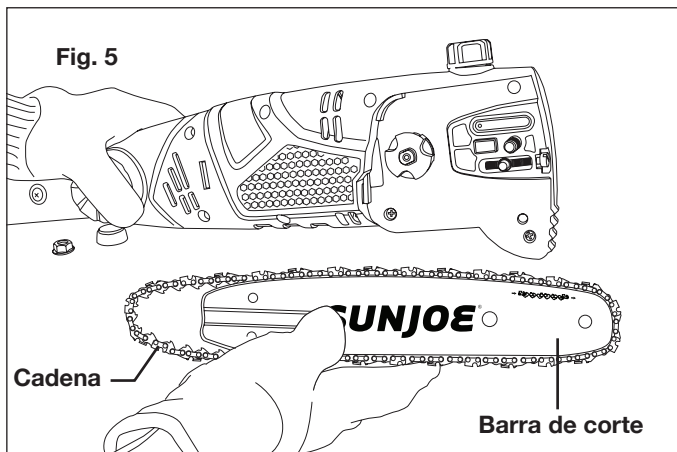
CONSEJO: al reemplazar la cadena, coloque temporalmente la funda de barra de corte para una mayor protección.




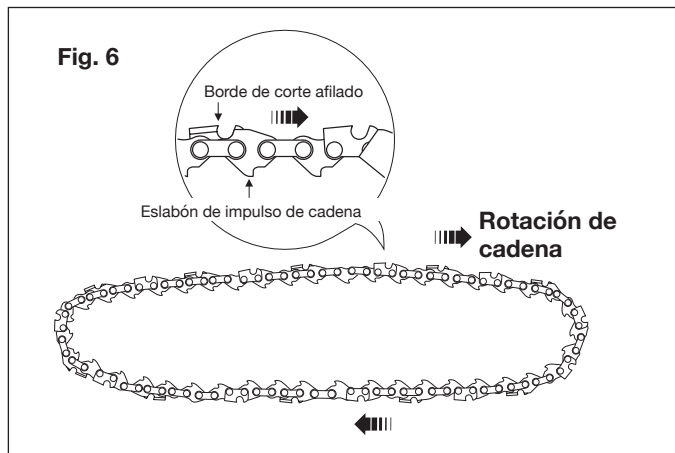
2. Usando la llave hexagonal suministrada, destornille la tuerca de cubierta de extremo y retire la cubierta de extremo de la cadena/piñón (Figs. 3 y 4).




3. Retire la barra de corte y cadena de la superficie de montaje (Fig. 5).

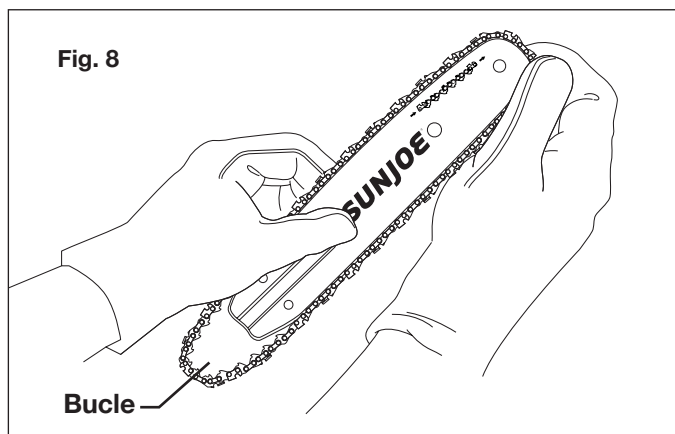
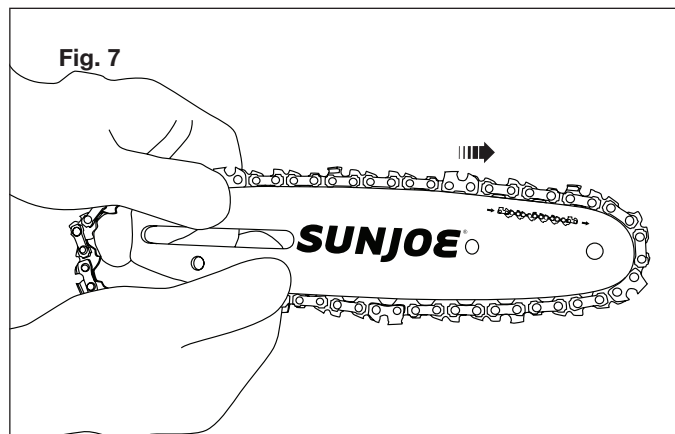


4. Retire la cadena antigua de la barra.
 5. Coloque la nueva cadena de la motosierra en un bucle y enderezando cualquier posible pliegue.
EL LADO AFILADO DE LAS CUCHILLAS DEBE ESTAR ORIENTADO EN LA DIRECCIÓN OPUESTA A USTED, EN LA DIRECCIÓN DE LA ROTACIÓN DE CADENA INDICADA EN LA BARRA-GUÍA
 →  →. Si las cuchillas están en sentido opuesto, dé vuelta al bucle (Fig. 6).

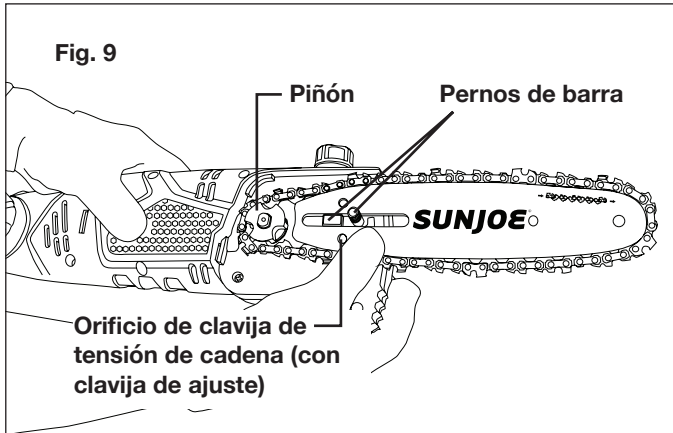


6. Empezando en la punta, monte los eslabones de impulso de la cadena en la ranura de la barra, dejando un bucle en la parte posterior de la barra. La cadena encajará suelta hasta que sea colocada en el piñón (Figs. 7 y 8).

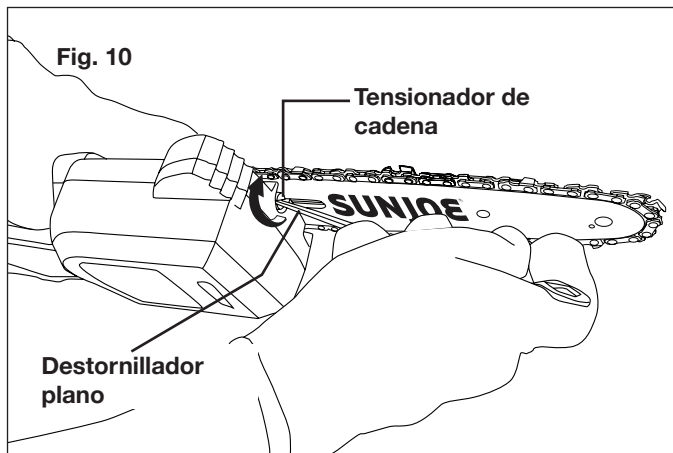
NOTA: compruebe la dirección correcta de la cadena →  →. Si la cadena es montada al revés, la motosierra vibrará de forma anormal y no cortará.



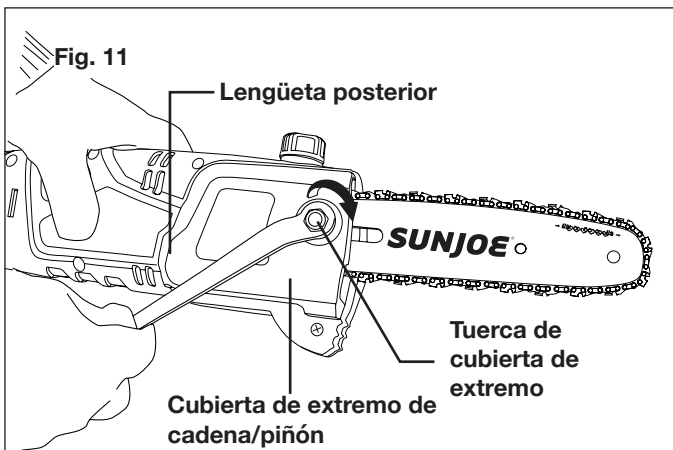
7. Sostenga la cadena en su lugar sobre la barra y coloque el bucle alrededor del piñón. Coloque la barra nivelada contra la superficie de montaje de manera que los pernos de la barra estén en la ranura larga de la barra y la clavija de ajuste esté en el orificio de clavija de tensión de cadena (Fig. 9).



8. Ajuste la tensión de cadena según se necesite girando el tornillo tensionador de cadena con el destornillador de punta plana suministrado. Asegúrese de alinear el tornillo tensionador de cadena con el orificio de clavija (Fig. 10).

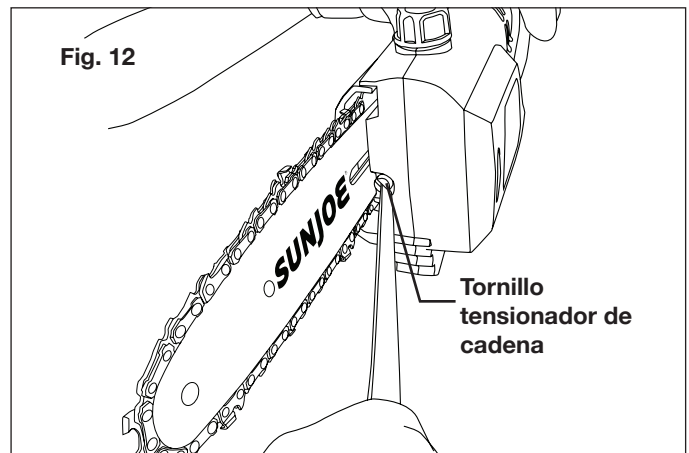


9. Vuelva a colocar la cubierta de extremo de cadena/piñón insertando la lengüeta posterior primero en la ranura de lengüeta posterior y colocando la cubierta sobre el cabezal de la motosierra. Apriete la tuerca de cubierta de extremo, pero deje la barra con libre movimiento para el ajuste de tensión (Fig. 11).

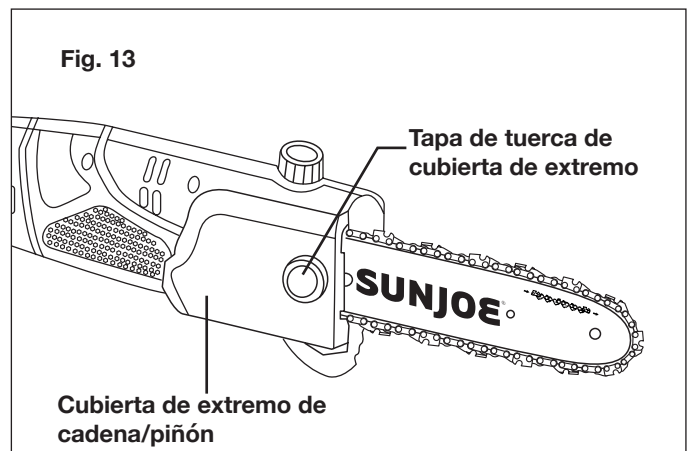


10. Retire todo el exceso de la cadena girando el tornillo tensionador de la cadena en sentido horario hasta que la cadena encaje perfectamente con los eslabones de impulso en la ranura de la barra (Fig. 12).

NOTA: una cadena está tensionada correctamente cuando no hay una holgura en el lado inferior de la barra-guía y la cadena está ajustada pero puede ser rotada a mano sin empujarla. Para más información sobre el tensionamiento de cadena, vea la sección de mantenimiento empezando en la página 14.



11. Apriete la tuerca de cubierta de extremo usando la llave hexagonal (Fig. 11), y luego vuelva colocar la tapa de tuerca de cubierta de extremo para asegurar la cubierta del extremo de la cadena/piñón (Fig. 13).



NOTA: si la cadena está demasiado ajustada, no rotará. Afloje levemente la tuerca de cubierta de extremo y gire el tornillo tensionador de cadena 1/4 de vuelta en sentido antihorario. Levante la punta de la barra-guía hacia arriba y vuelva a apretar la tuerca de cubierta de extremo. Asegúrese de que la cadena pueda ser rotada a mano sin empujarla.

NOTA: una cadena nueva tiende a estirarse. Verifique la tensión de la cadena frecuentemente y ajuste la tensión según sea requerido.

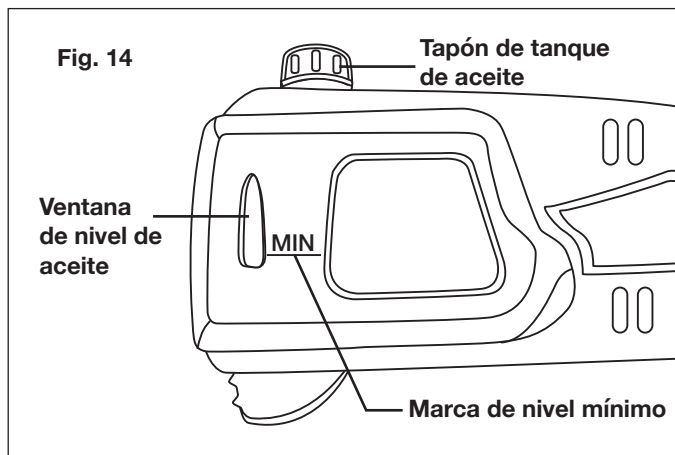
Operación

Puesta en marcha y parada

⚠ ¡PRECAUCIÓN!

- Antes de encender la motosierra, quite el tapón del tanque de aceite y añada aceite para barra y cadena hasta la parte superior de la ventana de nivel de aceite (Fig. 14). Un minuto de uso consumirá aproximadamente 0.15 fl oz (5 ml) de aceite. Vuelva a echar aceite cuando el nivel caiga a menos de 1/4 de tanque.

NOTA: su motosierra eléctrica de altura está equipada con una bomba de aceite automática para el aceitado de la barra y la cadena. Usted debe agregar aceite de barra y cadena a su motosierra de altura no funcionará.



- El inicio, parada y reinicio de un motor eléctrico de forma repetida en intervalos de pocos segundos puede generar una gran cantidad de calor y dañar el motor. Para proteger el ciclo de vida útil de su motosierra eléctrica de altura, siempre espere por lo menos cinco segundos luego de haber detenido la motosierra antes de volverla a arrancar.

⚠ **¡ADVERTENCIA!** Asegúrese de que la cadena no esté en contacto con ningún objeto cuando usted encienda el motor.

⚠ **¡ADVERTENCIA!** Mantenga las manos alejadas de la cadena. Mantenga las manos en los mangos. No se sobreextienda.

Una sujeción buena y firme en la herramienta, usando ambas manos, le ayudará a mantener el control. Al usar la motosierra de altura, coloque una mano en el mango frontal de espuma y la otra mano en el mango posterior, con sus pulgares y dedos rodeando el tubo y el mango. Una sujeción firme, combinada con la colocación apropiada del mango contra su cuerpo, le ayudará a mantener el control de la motosierra. No suelte la motosierra de altura mientras esté funcionando.

⚠ **¡ADVERTENCIA!** No opere la motosierra de altura trepado en un árbol, sobre una escalera o en un andamio. Usar la herramienta en dichas circunstancias es extremadamente peligroso.

⚠ **¡PRECAUCIÓN!** La cadena continuará girando por varios segundos luego de haber apagado la herramienta.

No utilice la motosierra de altura bajo condiciones húmedas. Tenga extremo cuidado al cortar arbustos pequeños, brinzales o ramas bajo tensión ya que el material tenso y angosto puede ser atrapado por la motosierra y, al recuperarse elásticamente, ser azotado contra usted, haciéndole perder el equilibrio.

No use la motosierra de altura para cortar plantas trepadoras y/o maleza.

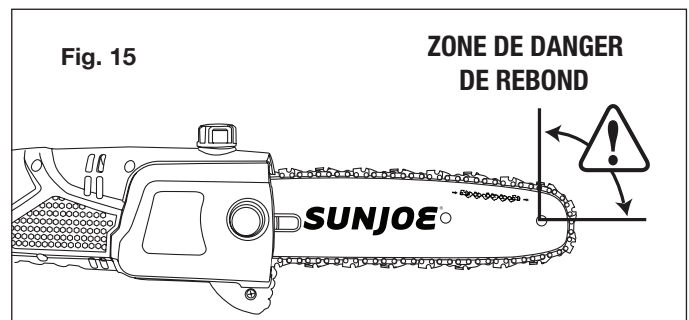
⚠ **¡ADVERTENCIA!** No permita que la familiaridad con este tipo de herramientas le impida tomar todas las precauciones necesarias. Recuerde que una fracción de segundo de descuido es suficiente para causar lesiones severas.

⚠ **¡ADVERTENCIA!** No corte árboles cerca de cables eléctricos.

⚠ **¡ADVERTENCIA!** Si no lubrica la cadena, la barra y la cadena se dañarán. Use solo un aceite para barra y cadena formulado específicamente para su uso con motosierras. Un minuto de uso consumirá aproximadamente 0.15 fl oz (5 ml) de aceite.

NOTA: es normal que el aceite se derrame de la motosierra cuando esta no esté siendo usada. Para prevenir derrames, vacíe el tanque de aceite luego de cada uso. Al guardar la unidad por un periodo prolongado (tres meses o más), asegúrese de que la cadena esté ligeramente lubricada para evitar óxido en la cadena y piñón de barra.

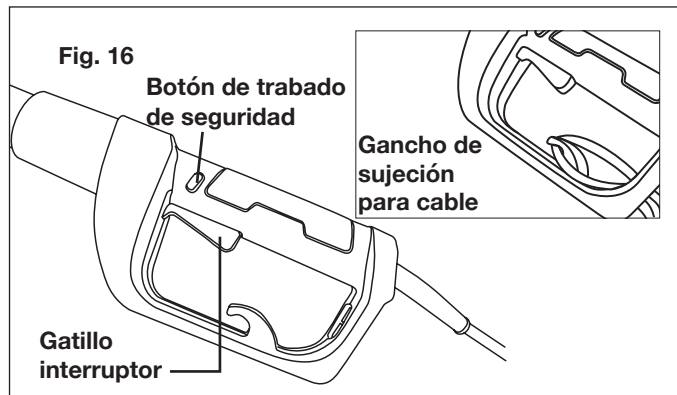
⚠ **¡ADVERTENCIA!** Preste atención al cable de extensión mientras opere la motosierra de altura. Mantenga el cable de extensión alejado de la cadena. Tenga cuidado de no tropezar con el cable de extensión.



⚠ **¡ADVERTENCIA!** Un contragolpe puede ocurrir cuando la cadena en movimiento hace contacto con un objeto en la parte superior de la punta de la barra-guía, o cuando la madera se cierra y aprieta la motosierra durante el corte (Fig. 15). El contacto en la parte superior de la punta de la barra-guía puede causar que la cadena se entierre en el objeto y detenga la cadena por un instante. El resultado es una reacción en reversa extremadamente rápida, lanzando la barra-guía hacia arriba y hacia atrás, en dirección del operador. Si la motosierra está atrapada a lo largo del extremo

superior de la barra-guía, la barra-guía puede ser empujada rápidamente hacia el operador. Cualquiera de estas reacciones puede causar una pérdida de control de la motosierra, que puede hacer que el operador pierda el equilibrio y se lesione severamente. No se fíe exclusivamente en los dispositivos de seguridad incorporados a la motosierra. Como usuario, usted deberá tomar varias precauciones para que sus trabajos de corte estén libres de accidentes o lesiones.

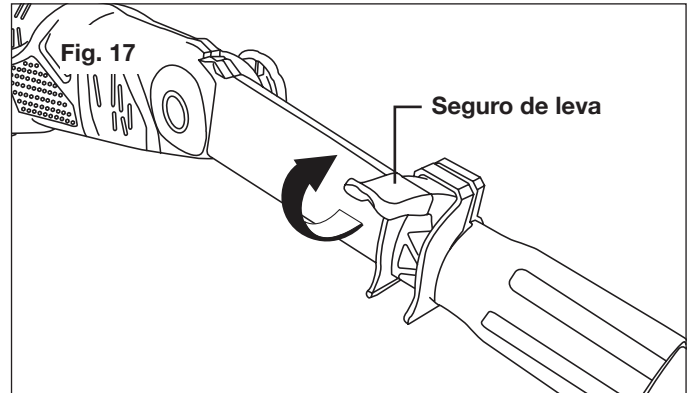
1. Antes de cada sesión de corte, revise minuciosamente la lista de verificación diaria (ver página 15).
2. Conecte la motosierra eléctrica de altura a un tomacorriente activo de 120 V CA usando un cable de alimentación de extensión para exteriores de alta resistencia, tal como el cable de extensión de 50 pies y calibre 14 SJTW-A de Snow Joe® + Sun Joe® con extremo iluminado (Modelo PJEXT50-B). Visite sunjoe.com para pedirlo en línea o llame al 1-866-SNOWJOE (1-866-766-9563) para pedirlo por teléfono.
3. Haga un bucle en el cable de alimentación y empújelo a través del orificio en el mango y alrededor del gancho de sujeción para cable (Fig. 16), luego conecte el cable de extensión al cable del artefacto.
4. Para poner en marcha la herramienta, presione el botón de trabado de seguridad (ubicado en el mango posterior) con su pulgar y luego apriete el gatillo interruptor con sus dedos. Una vez que la herramienta esté funcionando, usted puede soltar el botón de trabado de seguridad (Fig. 16).



5. Para apagar la herramienta, suelte el gatillo interruptor (Fig. 16).
- NOTA:** no presione el gatillo interruptor hasta que usted esté listo para hacer un corte.

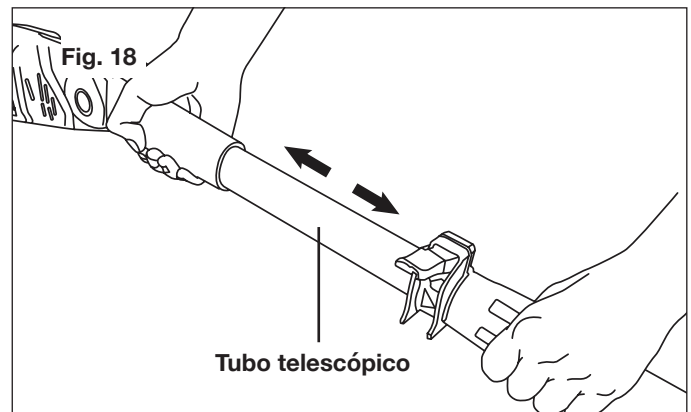
Ajuste del tubo telescópico

1. Desconecte la motosierra de la fuente de alimentación.
2. Desenganche el seguro de leva para liberar el tubo (Fig. 17).

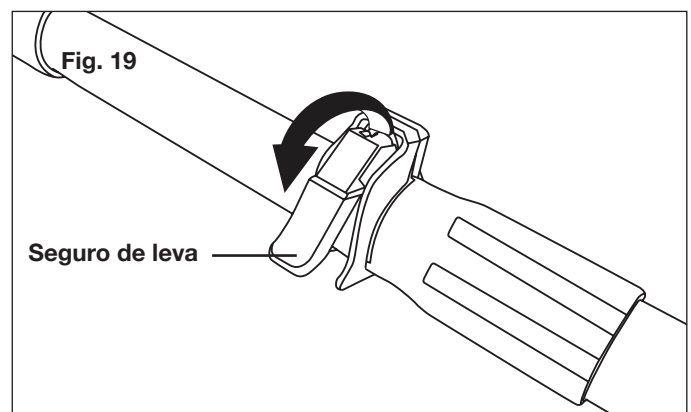


3. Extienda el tubo a la longitud deseada (Fig. 18).

NOTA: empuje los tubos uno hacia el otro para reducir la longitud total, o jálelos hacia fuera para extender la longitud total del poste. Solo extienda el poste a la longitud mínima requerida para alcanzar la rama a ser cortada.



4. Trabe el tubo en su lugar cerrando el seguro de leva (Fig. 19), y compruebe que el tubo esté seguro. Si el tubo se extiende cuando el seguro de leva está cerrado, la tuerca puede necesitar ser apretada.

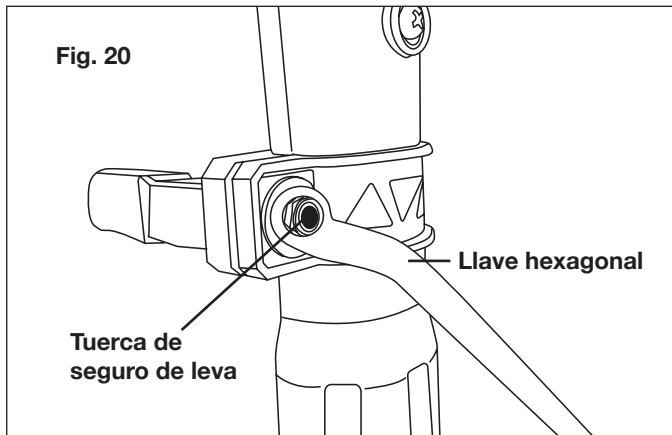


⚠ ¡ADVERTENCIA! No trabar el seguro de leva del tubo telescópico tal como se indica puede resultar en lesiones personales.

Ajuste del perno

El perno de sujeción puede necesitar ser ajustado para asegurar al tubo telescópico en su lugar.

1. Desenganche el seguro de leva. Usando la llave hexagonal, apriete la tuerca del seguro de leva, luego cierre el seguro de leva. Compruebe que el tubo esté asegurado. La llave puede ser requerida para aflojar la tuerca de seguro de leva si necesita ajustar el tubo a una altura distinta (Fig. 20).



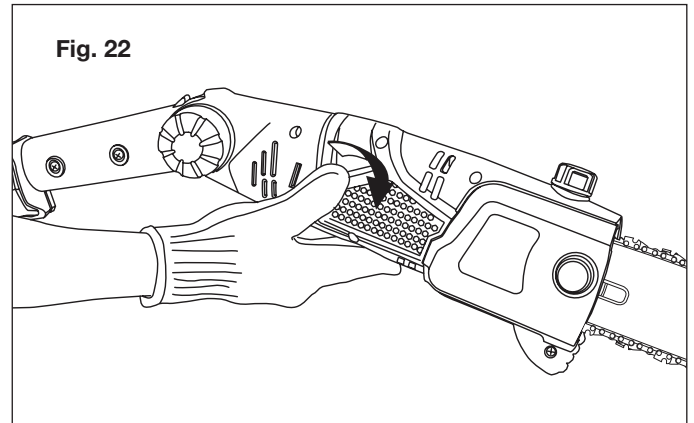
Ajuste del cabezal multi-ángulo

El cabezal de la motosierra de altura puede ser rotado para diferentes ángulos de corte, de 0° a 30°.

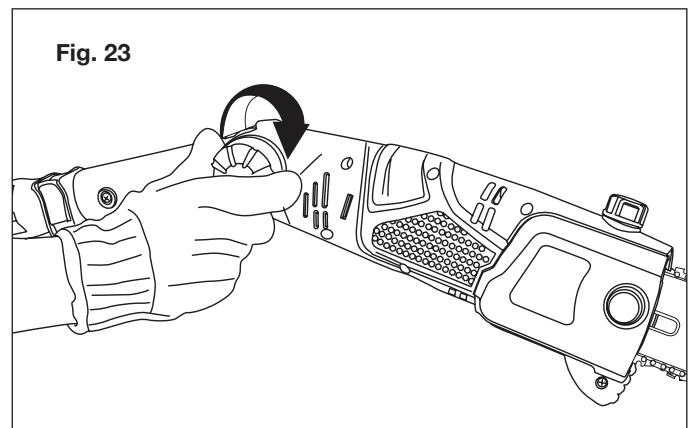
1. Desconecte la motosierra de altura de la fuente de alimentación.
2. Gire en sentido antihorario el dial de ajuste del cabezal multi-ángulo para aflojar el cabezal (Fig. 21).



3. Ajuste el cabezal a la posición deseada (Fig. 22).



4. Gire el dial en sentido horario para apretar y asegurar el cabezal en su lugar (Fig. 23).

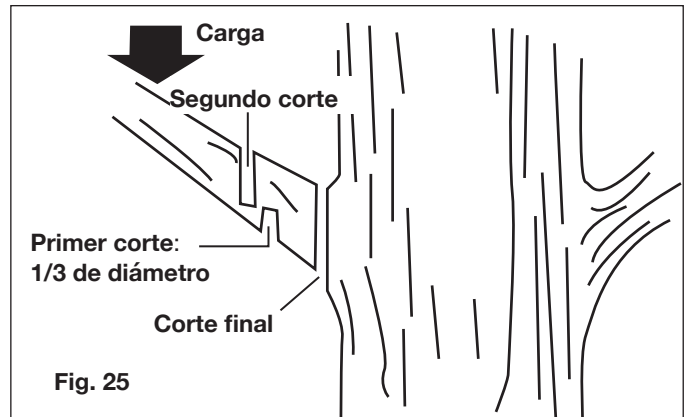
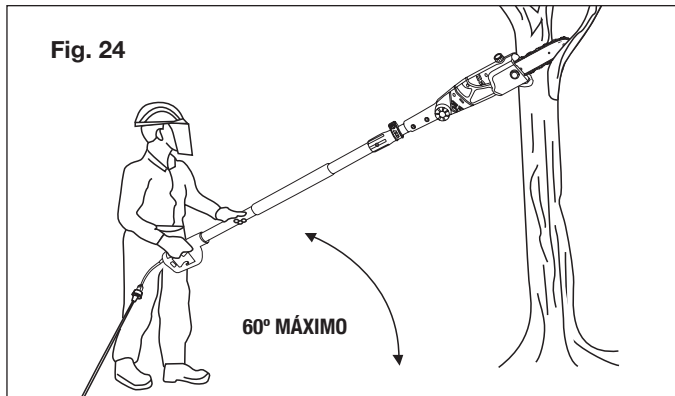


NOTA: El no asegurar correctamente el dial de ajuste de cabezal puede resultar en lesiones personales severas y/o daños a la propiedad.

Consejos de corte

Postura apropiada para el corte

- Balancee su peso con ambos pies, en terreno sólido.
- Su cuerpo deberá estar siempre a la izquierda de la línea de la cadena.
- La aplicación más común de corte es colocar la unidad en un ángulo de 60° o menos, dependiendo de la situación específica (Fig. 24). A medida que el ángulo del tubo de la motosierra de altura con el suelo va en aumento, aumenta también la dificultad de hacer el primer corte (desde el lado inferior de la rama).



Procedimiento básico de corte

Esta unidad está diseñada para cortar ramas y tallos pequeños de hasta 9.5 plg (24.1 cm) de diámetro, dependiendo del tipo de madera. Practique cortando algunas ramas pequeñas empleando la siguiente técnica para tener una idea de cómo usar la motosierra antes de empezar una operación de aserrado más grande.

- Mantenga una postura apropiada frente al árbol con la motosierra apagada (Fig. 24).
- Apriete el gatillo y deje que la cadena acelere a su máxima velocidad antes de proceder a cortar.
- Mantenga la motosierra funcionando durante todo el tiempo de corte, manteniendo una velocidad constante.
- Permita que la cadena corte por usted; aplique solo una ligera presión hacia abajo. Si fuerza el corte puede dañar la barra, la cadena o la unidad.
- **EMPUJE y TRACCIÓN:** esta fuerza de reacción siempre es opuesta a la dirección del movimiento de la cadena cuando hace contacto con la madera. Por tanto, el operador debe estar listo para controlar la **TRACCIÓN** al cortar en el borde inferior de la barra, y el **EMPUJE** al cortar a lo largo del borde superior.
- No aplique presión en la motosierra, en el extremo del corte.

Podado

Podado es el proceso de cortar de ramas de un árbol vivo.

- Retire las ramas largas en varias etapas.
- Corte las ramas inferiores primero, para darles a las ramas altas mayor espacio para su caída.
- Al podar árboles, es importante no hacer el corte final cerca de la rama principal o tronco hasta que usted haya cortado la rama más alejada. Esto reducirá el peso y evitará arrancar la corteza del tronco principal.
- Su primer corte será desde abajo, hasta 1/3 del diámetro de la rama. Su segundo corte deberá ser por encima para que la rama se desprenda (Fig. 25). Está preparado para balancear el peso de la motosierra de altura cuando la rama caiga.

- Ahora, haga su corte final, suave y prolijamente, desde la parte superior de la rama, contra la rama principal, de manera que la corteza crezca y selle la “herida”.
- Suelte el gatillo interruptor tan pronto como haya finalizado el corte. No seguir los procedimientos adecuados de corte resultará en un doblado de la barra y cadena, quedándose atrapadas en la rama.

Desramado

Desramado es el proceso de retirar las ramas de un árbol caído.

- Usted debe cortar ramas solo una por vez. Retire las ramas cortadas del área de trabajo frecuentemente para mantener dicha área limpia y segura.
- Corte las ramas bajo tensión de abajo hacia arriba para evitar que la motosierra de altura se aprisione.
- Mantenga el árbol entre usted y la motosierra de altura durante el desramado. Corte desde el lado del árbol opuesto a la rama que esté cortando.

Si la motosierra queda atrapada o aprisionada

1. Espere a que la cadena se detenga. Espere 5 minutos a que la motosierra se enfríe, desenchufe el cable de alimentación, y utilice guantes para proteger sus manos contra las cuchillas de la cadena.
2. Si puede alcanzar la rama desde el suelo, levante la rama sosteniendo la motosierra al mismo tiempo. Esto deberá liberar la “trampa” y liberar la motosierra.
3. Si la motosierra aún sigue atrapada, llame a un profesional para recibir ayuda.

Minimice los contragolpes

Un contragolpe puede ocurrir cuando la cadena en movimiento hace contacto con un objeto en la parte superior de la punta de la barra-guía, o cuando la madera se cierra y aprieta la motosierra de altura durante el corte. El contacto en la parte superior de la punta de la barra-guía puede causar que la cadena se entierre en el objeto y detenga la cadena por un instante. El resultado es una reacción en reversa extremadamente rápida, lanzando la barra-guía hacia arriba y hacia atrás, en dirección del operador. Si la motosierra de altura está atrapada a lo largo del extremo superior de la

barra-guía, la barra-guía puede ser empujada rápidamente hacia el operador. Cualquiera de estas reacciones puede causar una pérdida de control de la motosierra, causando severas lesiones personales. No se fíe exclusivamente en los dispositivos de seguridad incorporados a la motosierra. Como usuario de la motosierra de altura, usted deberá seguir varios pasos para mantener sus trabajos de corte libres de accidentes o lesiones.

Tome las siguientes precauciones para minimizar el contragolpe:

- Antes de arrancar la motosierra de altura, asegúrese de que esta no esté haciendo contacto con ningún objeto.
- Sujete siempre el tubo y el mango firmemente con ambas manos cuando la unidad esté funcionando. Coloque una mano en el tubo y la otra mano en el mango posterior, con sus pulgares y dedos rodeando el tubo y el mango. Una sujeción firme, combinada con la colocación apropiada del mango contra su cuerpo, ayudará a que usted mantenga el control de la motosierra si ocurre el contragolpe.
- Asegúrese de que el área en la que usted está cortando esté libre de obstrucciones.
- No permita que la zona de peligro de contragolpe de la barra-guía haga contacto con un tronco, rama, valla o cualquier otra obstrucción que pueda ser golpeada mientras usted opere la motosierra de altura (Fig. 15).
- Corte siempre con la unidad funcionando a máxima velocidad. Apriete a fondo el gatillo interruptor y mantenga una velocidad de corte estable.
- Use guantes anti-deslizantes para un máximo agarre y protección.
- Extienda el tubo solo hasta la longitud requerida para alcanzar la rama a ser cortada. No extienda el mango posterior por encima de la altura de la cintura.

Mantenimiento

Contacte a un concesionario autorizado Snow Joe® + Sun Joe® o llame a la central de servicio al cliente Snow Joe® + Sun Joe® al 1-866-SNOWJOE (1-866-766-9563) para cualquier operación de mantenimiento no descrita en este manual. Cualquier operación llevada a cabo en un centro no autorizado, o por personal no calificado, invalidará por completo la garantía.

⚠ ¡ADVERTENCIA! Para su seguridad y la de los demás:

- Un mantenimiento correcto es esencial para conservar la eficiencia original y seguridad de la máquina con el tiempo.
- Mantenga todos los pernos, tuercas y tornillos ajustados para garantizar que el equipo esté en una condición segura de funcionamiento.
- Nunca use la máquina con partes gastadas o dañadas. Las partes dañadas deben ser reemplazadas y nunca reparadas.

- Solo use partes de repuesto originales Snow Joe® + Sun Joe®. Las partes que no son de la misma calidad pueden dañar severamente el equipo, comprometer la seguridad e invalidar la garantía.

⚠ ¡ADVERTENCIA! Siempre desenchufe el cable de alimentación antes de llevar a cabo cualquier ajuste, tarea de mantenimiento o reparación en su motosierra inalámbrica.

- Use guantes protectores al manipular la barra y la cadena.
- Mantenga la barra insertada en su funda, excepto al intervenir directamente en la barra o la cadena.
- Nunca se deshaga de aceites u otros materiales contaminantes en lugares no autorizados.

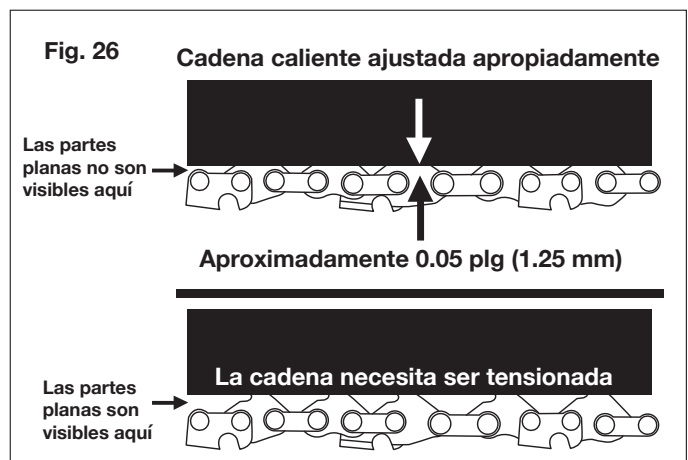
Enfriamiento del motor

Para evitar el sobrecalentamiento y daños al motor, mantenga siempre las rejillas de ventilación limpias y libres de aserrín y residuos.

Tensión de la cadena

Verifique la tensión de la cadena antes de usar la motosierra, cuando la cadena esté fría. Una cadena fría está tensionada correctamente cuando no hay un exceso en el lado inferior de la barra-guía: la cadena está ajustada pero usted puede rotarla a mano sin empujarla.

Durante la operación normal de la motosierra, la temperatura de la cadena se incrementará. Los eslabones de impulso de una cadena caliente tensionada correctamente colgarán aproximadamente a 0.05 plg (1.25 mm) de la ranura de la barra (Fig. 26). Tenga en cuenta que una cadena tensionada cuando está caliente puede terminar demasiado ajustada al enfriarse. Verifique la “tensión en frío” antes del próximo uso. La cadena deberá ser retensionada cuando las partes planas en los eslabones de impulso cuelguen de la ranura de la barra (Fig. 26).



NOTA: una cadena nueva tiende a estirarse. Compruebe la tensión de cadena y retensionese según se necesite.

Tuercas y tornillos

Compruebe periódicamente que todas las tuercas y tornillos estén ajustados de forma segura. Verifique que el seguro de leva que controla el tubo telescópico esté en perfecto estado y funcionando correctamente.

Afilado de la cadena

⚠ ¡ADVERTENCIA! Para asegurarse de que la motosierra funcione de forma segura y eficiente, es esencial que los componentes de corte estén bien afilados. Se recomienda reemplazar la cadena una vez que pierda su habilidad de cortar de forma limpia y segura. Es posible, sin embargo, afilar la cadena existente si el afilado se hace cuidadosamente. Cualquier trabajo en la cadena y barra requiere de una experiencia específica y herramientas especiales. Por motivos de seguridad le recomendamos contactar a un concesionario autorizado Snow Joe® + Sun Joe® o llamar a la central de servicio al cliente Snow Joe® + Sun Joe® al 1-866-SNOWJOE (1-866-766-9563).

El afilamiento es necesario cuando:

- El aserrín parece polvo;
- El corte se hace más difícil;
- El corte no es recto; o
- Las vibraciones aumentan.

Un centro de servicio autorizado afilará la cadena usando las herramientas correctas para asegurar un mínimo retiro de material y un afilado parejo en todos los bordes de corte.

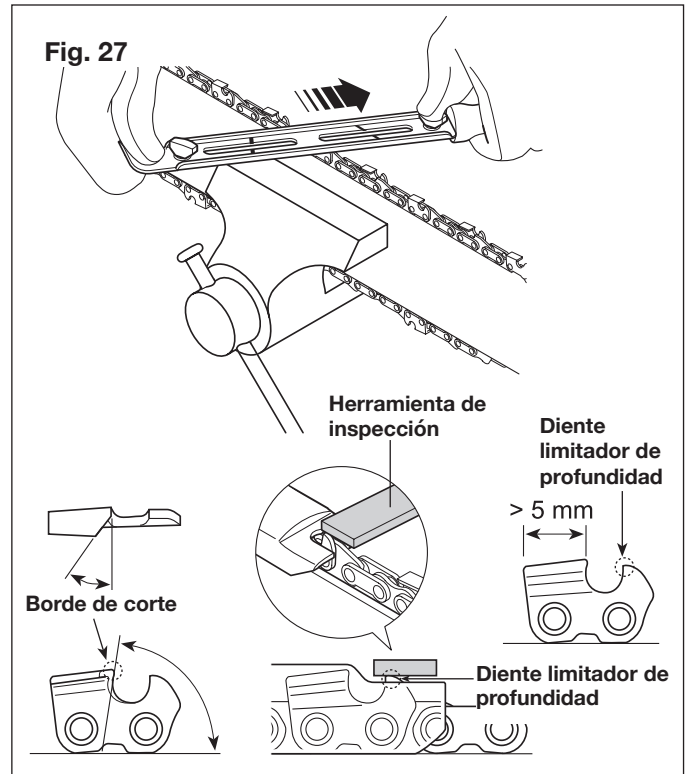
Si afila la cadena usted mismo, use limas especiales de secciones redondeadas con el diámetro correcto dependiendo del tipo de cadena (ver “tabla de mantenimiento de cadena” en la página 18). Usted necesita un cierto nivel de destreza y experiencia para evitar dañar los bordes de corte.

Afile la cadena como se indica (Fig. 27):

- Asegure la barra firmemente, con la cadena montada, en un tornillo de banco adecuado.
- Ajuste la cadena si está suelta.
- Monte la lima en la guía y luego insértela en el diente a un ángulo constante del borde de corte.
- Afile en un movimiento hacia adelante unas cuantas veces, y repita en todos los bordes de corte en la misma dirección (izquierda o derecha).
- Para hacer avanzar la cadena, use un destornillador.
- Voltee la barra en el tornillo de banco y repita en los demás bordes de corte.
- Compruebe que el diente limitador no sobresalga más que el instrumento de inspección, y lime cualquier parte saliente con una lima plana, redondeando los bordes (Fig. 27).

- Luego del afilado, retire todos los residuos de afilado y polvo, y lubrique la cadena en un baño de aceite. Reemplace la cadena cuando:

- La longitud de los bordes de corte se reduce a 5 mm o menos; o
- Hay demasiada holgura entre los eslabones y los remaches.



Mantenimiento de la barra-guía

Cuando la barra-guía muestre señales de desgaste, voltéela en la motosierra para distribuir el desgaste y lograr un máximo ciclo de vida útil de la barra. El desflecado y desbarbado de los rieles de la barra son fenómenos normales del desgaste de la barra. Usted debe corregir dichas fallas con un afilador tan pronto como ocurran.

Reemplace una barra con cualquiera de las siguientes fallas:

- Desgaste dentro de los rieles de la barra, dejando que la cadena yazca de costado;
- Barra-guía doblada;
- Rieles resquebrajados o rotos; o
- Rieles partidos.

Voltee la motosierra, verifique el lado inferior de la barra-guía, y asegúrese de que los orificios de lubricación y la ranura de la cadena estén libres de impurezas.

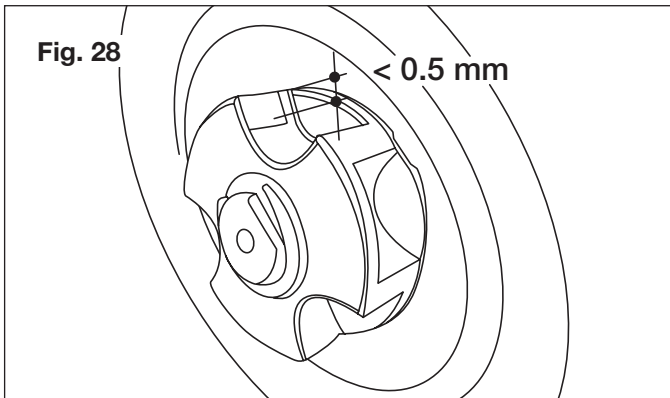
Usted puede adquirir partes de repuesto para su motosierra eléctrica de altura SWJ803E de Sun Joe® ordenando en línea en sunjoe.com o por teléfono llamando a la central de servicio

al cliente Snow Joe® + Sun Joe® al 1-866-SNOWJOE (1-866-766-9563).

Piñón de cadena

Compruebe regularmente la condición del piñón y reemplácelo cuando el desgaste exceda los 0.5 mm (Fig. 28).

No monte una cadena nueva con un piñón gastado o viceversa.



Solución de problemas

Consejos para la solución de problemas

La mayoría de problemas son fáciles de resolver. Consulte la tabla de solución de problemas para problemas comunes y sus soluciones. Si usted continúa experimentando problemas o necesita reparaciones más allá de estos ajustes menores, llame al 1-866-SNOWJOE (1-866-766-9563) para asistencia.

⚠ ¡ADVERTENCIA! Desconecte siempre el cable de alimentación antes de realizar cualquier ajuste, mantenimiento, o reparación a su motosierra de altura.

Tabla de solución de problemas

Problema	Acción correctiva
El motor de la cadena no enciende	<ul style="list-style-type: none"> Compruebe que el cable de extensión esté instalado correctamente en el receptáculo de cable de alimentación de la motosierra de altura, y que el cable de alimentación esté enchufado a un tomacorriente activo de 120 V. Asegúrese de que usted haya presionado por completo el botón de trabado de seguridad antes de apretar el gatillo interruptor de encendido/apagado.
La motosierra funciona, pero la velocidad de la cadena es lenta.	<ul style="list-style-type: none"> La cadena está demasiado ajustada, vuelva a tensionar.
La barra y la cadena funcionan muy calientes y echan humo.	<ul style="list-style-type: none"> La tensión de la cadena está demasiado ajustada, vuelva a tensionar. El tanque de aceite de la cadena está vacío, vuelva a llenarlo de aceite. Los orificios de lubricación están obstruidos. Límpielos.
La motosierra funciona, pero la cadena no gira.	<ul style="list-style-type: none"> La tensión de la cadena está demasiado ajustada, vuelva a tensionar. La barra-guía o la cadena están dañadas. Inspeccione y reemplace la parte dañada.

Lista de verificación diaria, limpieza y almacenamiento

Lista de verificación diaria

Para mantener su motosierra eléctrica de altura funcionando óptimamente, le recomendamos completar esta lista de verificación antes de cada sesión de trabajo.

⚠ ¡ADVERTENCIA! No enchufe el cable de alimentación hasta que usted haya completado todas las verificaciones diarias.

- Inspeccione en busca de cualquier daño a la cadena, barra-guía o carcasa de motor.
- Inspeccione el puerto de aceite y los rieles de la barra-guía. Límpielos y retire cualquier suciedad.
- Verifique la tensión de la cadena.
- Verifique que las cuchillas de la cadena estén afiladas.
- Verifique el nivel de aceite de la barra y cadena. Llene solo con aceite de cadena nuevo, formulado especialmente

Para limpiar la motosierra de altura, use solo jabón suave y un paño húmedo. No permita que ningún líquido se meta dentro de la carcasa del motor y NUNCA sumerja ninguna parte de la carcasa de la motosierra en un líquido.

Almacenamiento

- Asegúrese de que la cubierta de la barra-guía esté en su lugar al momento de almacenar la motosierra de altura.
- No guarde la motosierra de altura cerca de químicos tales como fertilizantes u otros solventes agresivos. No exponga las partes plásticas de la unidad a líquidos de frenos, gasolina, productos a base de petróleo, aceites penetrantes, o sustancias similares. Estos productos son en su mayoría altamente corrosivos y pueden causar daños permanentes, debilitar o destruir las partes plásticas de su motosierra de altura.
- Cuando no esté siendo usada, su motosierra eléctrica de altura debe ser guardada en interiores en un lugar alto y seco o bajo llave, lejos del alcance de los niños.

Soporte

Si su motosierra eléctrica de altura SWJ803E de Sun Joe® requiere servicio o mantenimiento, llame al 1-866-SNOWJOE (1-866-766-9563) para asistencia.


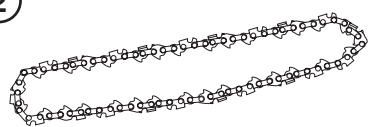

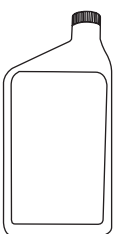
Modelo y número de serie

Al contactar a la empresa, ordenar partes de repuesto o programar una reparación en un centro autorizado, usted necesitará proporcionar el modelo y número de serie, los cuales se encuentran en la etiqueta ubicada en la carcasa de la unidad. Copie estos números en el espacio proporcionado a continuación.

Registre los siguientes números que se encuentran en la carcasa o mango de su nuevo producto:	
Nº de modelo:	
S W J 8 0 3 E	
Nº de serie:	

Accesorios opcionales

⚠ ¡ADVERTENCIA! USE SIEMPRE solo partes de repuesto y accesorios Snow Joe® + Sun Joe®. NUNCA use partes de repuesto o accesorios que no estén destinados para su uso con esta motosierra eléctrica de altura. Comuníquese con Snow Joe® + Sun Joe® si tiene dudas sobre si es seguro usar una parte de repuesto o accesorio en particular con su herramienta. El uso de cualquier otro accesorio o parte puede ser peligroso y puede causar lesiones personales o daños mecánicos.

Accesorio	Descripción	Modelo
	Barra-guía de repuesto para motosierra de 10 plg Sun Joe®	SWJ-10BAR
	Cadena de repuesto de 10 plg para motosierra Sun Joe®	SWJ-10CHAIN
	Llave hexagonal / destornillador plano	SWJ802E-TOOL
	Aceite para barra-guía y cadena	SJW-OIL de venta en sunjoe.com , o puede comprar un aceite equivalente para barra-guía y cadena en su ferretería local

NOTA: los accesorios están sujetos a cambios sin obligación alguna por parte de Snow Joe® + Sun Joe® de notificar sobre dichos cambios. Los accesorios pueden ser pedidos en línea en sunjoe.com o vía telefónica llamando al centro de servicio al cliente Snow Joe®+ Sun Joe® al 1-866-SNOWJOE (1-866-766-9563).

Tabla de mantenimiento de cadena

Eslabones de impulso	Paso de cadena		Medidor de cadena		Diámetro de lima	
	Pulgadas	Milímetros	Pulgadas	Milímetros	Pulgadas	Milímetros
40	3/8	9.5	0.05	1.3	5/32	4



LA PROMESA DE SNOW JOE® + SUN JOE® AL CLIENTE

POR SOBRE TODO, en Snow Joe, LLC (“Snow Joe”) estamos dedicados a usted, nuestro cliente. Nos esforzamos por hacer que su experiencia sea lo más placentera posible. Desafortunadamente, hay veces en que un producto Snow Joe®, Sun Joe®, o Aqua Joe® (el “Producto”) no funciona o sufre un desperfecto bajo condiciones normales de operación. Creemos que es importante que usted sepa que puede confiar en nosotros. Es por eso que tenemos esta Garantía Limitada (la “Garantía”) para nuestros Productos.

NUESTRA GARANTÍA:

Snow Joe garantiza que sus Productos motorizados y no motorizados, nuevos y genuinos, están libres de defectos materiales o de mano de obra al ser usados en tareas domésticas normales durante un periodo de dos (2) años a partir de la fecha de compra por parte del comprador original y usuario final, cuando este último los compra a través de Snow Joe o un vendedor autorizado por Snow Joe y ha obtenido un comprobante de compra. Ya que Snow Joe no puede controlar la calidad de sus Productos vendidos por vendedores no autorizados, a menos que la ley lo prohíba esta Garantía no cubre Productos adquiridos a través de vendedores no autorizados. Si su Producto no funciona, o hay un problema con una parte específica que está cubierta por los términos de esta Garantía, Snow Joe elegirá entre: (1) enviarle una parte de repuesto gratuita; (2) reemplazar el Producto con uno nuevo o similar sin costo alguno; o (3) reparar el Producto. ¡Un excelente soporte!

Esta Garantía le da derechos legales específicos, y usted puede también tener otros derechos según el Estado.

REGISTRO DEL PRODUCTO:

Snow Joe le recomienda enfáticamente registrar su Producto. Usted puede registrar su Producto en línea visitando snowjoe.com/register, imprimiendo y enviando por correo una tarjeta de registro disponible en línea en nuestro sitio Web, llamando a nuestra central de servicio al cliente al **1-866-SNOWJOE (1-866-766-9563)**, o enviándonos un e-mail a help@snowjoe.com. Si usted no registra su Producto sus derechos de garantía no disminuirán; sin embargo, registrar su Producto permitirá que Snow Joe le pueda atender mejor si usted tiene alguna necesidad como cliente.

¿QUIÉN PUEDE SOLICITAR COBERTURA DE GARANTÍA LIMITADA?

Esta Garantía es otorgada por Snow Joe al comprador original y propietario original del Producto.

¿QUÉ NO ESTÁ CUBIERTO?

Esta Garantía no se aplica si el Producto ha sido usado de forma comercial o en aplicaciones no domésticas o de alquiler. Esta Garantía tampoco se aplica si el Producto fue adquirido desde un vendedor no autorizado. Esta garantía tampoco cubre cambios cosméticos que no afecten el funcionamiento del Producto. Las partes desgastables como correas, brocas y cuchillas no están cubiertas por esta Garantía, y pueden ser compradas visitando snowjoe.com o llamando al **1-866-SNOWJOE (1-866-766-9563)**.

SCIE À CHAÎNE ÉLECTRIQUE À MANCHE TÉLESCOPIQUE

25,4 cm | 8 A

MANUEL D'UTILISATION

Une division de Snow Joe®, LLC

Modèle SWJ803E

Formulaire n° SWJ803E-880F-MR8

IMPORTANT!

Consignes de sécurité

Tous les utilisateurs doivent lire ces instructions avant d'utiliser l'outil

Suivez toujours ces consignes de sécurité. Ne pas s'y conformer peut entraîner de graves blessures pouvant même être fatales.

⚠ DANGER! Ceci indique une situation dangereuse qui, en l'absence de précautions, entraînera des blessures graves, voire même fatales.

⚠ AVERTISSEMENT! Ceci indique une situation dangereuse qui, si elle n'est pas évitée, pourrait entraîner des blessures graves, voire même fatales.

⚠ MISE EN GARDE! Ceci indique une situation dangereuse qui, si elle n'est pas évitée, pourrait entraîner des blessures mineures ou un peu plus graves.

Sécurité générale

⚠ AVERTISSEMENT! Lors de l'utilisation d'outils de jardinage électriques, les mesures de sécurité de base doivent toujours être prises pour réduire le risque d'incendie, d'électrocution ou de blessure, notamment :

- 1. Maintenir en place les dispositifs de protection**
– Les dispositifs de protection doivent être vérifiés périodiquement pour s'assurer qu'ils sont bien attachés et en bon ordre de marche.
- 2. Retirer les clavettes de calage et les clés de réglage**
– Avant de la mettre en marche, vérifiez que les clés de réglage sont retirées de la scie.
- 3. Maintenir la zone de travail propre et bien éclairée**
– Chaque fois que vous avez fini d'utiliser l'outil, dégagez la zone de travail de tous les branchages et branches jonchant le sol. Les endroits encombrés sont propices aux accidents.
- 4. Ne pas utiliser dans les endroits dangereux** – N'utilisez pas d'outils électriques dans les endroits humides.
- 5. Ne pas utiliser la scie à chaîne à manche télescopique sous la pluie.**

- 6. Maintenir les spectateurs et les enfants à bonne distance** – Tous les spectateurs, notamment les enfants et les animaux familiers, doivent être maintenus à une distance de sécurité de la zone de travail.
- 7. Ne pas forcer l'outil** – Il exécutera le travail efficacement et sans danger s'il est utilisé au régime pour lequel il a été conçu.
- 8. Utiliser le bon outil** – Ne forcez pas l'outil ou tout accessoire de cet outil pour effectuer une tâche pour laquelle il n'a pas été conçu.
- 9. Porter des vêtements adaptés** – Ne portez pas de vêtements amples ou des bijoux dans la mesure où ce type d'articles peut se prendre dans les pièces mobiles. Le port de gants résistants en caoutchouc, de chaussures montantes et antidérapantes et de vêtements serrés au corps est recommandé pour les travaux d'extérieur nécessitant des outils électriques.
- 10. Les cheveux longs doivent être ramassés sous un couvre-chef.**
- 11. Toujours porter des lunettes de sécurité et des protecteurs d'oreilles pour assurer la protection des yeux et de l'ouïe** – Les lunettes que l'on porte tous les jours ont des verres antichocs, mais n'offrent pas la même sécurité que les lunettes de sécurité.
- 12. Porter un masque facial ou un masque protecteur contre la poussière** – Si les travaux de coupe dégagent de la poussière, il est recommandé de porter un masque facial ou un masque protecteur contre la poussière spécifiquement conçu pour filtrer les particules microscopiques.
- 13. Ne pas s'arc-bouter** – Restez en permanence sur vos deux pieds pour ne pas perdre l'équilibre.
- 14. Entretenir les outils avec soin** – Pour que leur rendement soit optimal et qu'ils puissent être utilisés sans danger, maintenez les outils affûtés et propres. Suivez les consignes de lubrification et de changement d'accessoire.
- 15. Débrancher l'outil** – Débranchez la scie à chaîne à manche télescopique de la source d'alimentation électrique quand elle n'est pas utilisée, avant de la réparer ou de l'entretenir, et lors du transport ou du changement de la chaîne ou de tout autre accessoire.
- 16. Réduire le risque de démarrage accidentel** – Avant de brancher l'outil sur une source d'alimentation, assurez-vous que l'interrupteur est sur la position d'arrêt.
- 17. Utiliser des accessoires recommandés** – Consultez le manuel de l'utilisateur qui indique les accessoires recommandés. L'utilisation d'accessoires inadaptés peut être à l'origine de blessures.

18. Vérifier que les pièces ne sont pas endommagées

– Avant chaque utilisation, réparez ou remplacez tout dispositif de protection ou toute pièce endommagée. Par ailleurs, vérifiez l'alignement des pièces mobiles, qu'aucune pièce ne grippe ou n'est cassée, les fixations et tout autre problème susceptible d'entraver le bon fonctionnement de l'outil.

19. Ne jamais laisser l'outil sans surveillance pendant que le moteur tourne

– Coupez la source d'alimentation en retirant le cordon d'alimentation de la prise. Ne vous éloignez pas de la scie tant que le guide-chaîne n'est pas complètement arrêté.

20. Prévenir les démarrages accidentels

– Ne transportez pas la scie à chaîne à manche télescopique en maintenant le doigt sur l'interrupteur.

21. Pour transporter la scie ou la tenir, ne pas la saisir par le guide-chaîne ou la chaîne elle-même en l'absence de la coiffe protectrice

– Assurez-vous de placer le guide-chaîne dans sa coiffe protectrice quand vous n'utilisez pas la scie.

22. Rester vigilant

– Surveillez ce que vous faites. Faites preuve de bon sens. N'utilisez pas la scie à chaîne à manche télescopique quand vous êtes fatigué.

23. Remiser l'outil à l'intérieur, à l'arrêt complet

– Quand ils ne sont pas utilisés, les outils doivent être remis à l'intérieur dans un endroit sec, surélevé ou sous clé, hors de portée des enfants.

Sécurité électrique

1. Des dispositifs de protection contre les défauts de terre (disjoncteurs de fuite de terre) doivent équiper le(s) circuit(s) ou la(les) prise(s) utilisés pour la scie à chaîne à manche télescopique. Des prises intégrant un disjoncteur de fuite de terre sont offertes et peuvent être utilisées pour répondre à cette mesure de sécurité.

2. Pour éviter une électrocution, utilisez uniquement une rallonge électrique appropriée pour l'extérieur, par exemple les modèles SW-A, SOW-A, STW-A, STOW-A, SJW-A, SJOW-A, SJTW-A ou SJTOW-A.

Avant son utilisation, vérifiez que la rallonge électrique est en bon état. Si vous utilisez une rallonge électrique, assurez-vous qu'elle soit de calibre suffisant pour le courant que l'outil va consommer. Pour des longueurs inférieures à 15 m, une rallonge électrique de calibre AWG n° 16 (ou supérieur) doit être utilisée. Une rallonge sous-dimensionnée provoquera une chute de tension dans les lignes, ce qui entraînera une perte de puissance et une surchauffe.

3. Pour réduire le risque d'électrocution, cet outil est muni d'une fiche polarisée (c.-à-d., une lame est plus large que l'autre). Utilisez uniquement une rallonge à fiche polarisée, homologuée UL, CSA ou ETL et pour une utilisation à l'extérieur et tout temps. La fiche de l'outil ne s'insère que d'une seule façon dans une rallonge à fiche polarisée.

Si la fiche de l'outil ne rentre pas complètement dans la rallonge, inversez-la. Si la fiche ne s'insère toujours pas,

procurez-vous une rallonge à fiche polarisée. Une rallonge à fiche polarisée nécessite l'utilisation d'une prise murale polarisée. La fiche polarisée de la rallonge ne s'insère que d'une seule façon dans la prise murale polarisée. Si la fiche ne rentre pas complètement dans la prise murale, inversez-la. Si la fiche ne s'insère toujours pas, communiquez avec un électricien qualifié pour qu'il pose une prise adéquate. Ne modifiez en aucune façon la fiche de l'outil, la prise de la rallonge ou la fiche de la rallonge.



Toute électrocution peut entraîner des BLESSURES GRAVES pouvant même être FATALES. Tenir compte de ces avertissements :

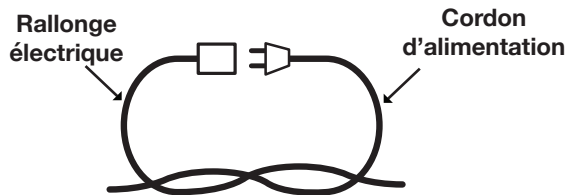
- Ne laisser aucune partie de la scie à chaîne à manche télescopique entrer en contact avec de l'eau pendant son utilisation. Si l'outil se mouille lorsqu'il n'est pas sous tension, l'essuyer avant de le redémarrer.
- Utiliser uniquement une rallonge électrique homologuée UL, CSA ou ETL pour l'extérieur et tout temps.
- Ne pas utiliser de rallonge électrique d'une longueur supérieure à 30 m.
- Ne pas toucher l'outil ou sa prise de courant les mains mouillées ou les pieds dans l'eau. Le port de bottes de caoutchouc offre une certaine protection.

TABLEAU - RALLONGE ÉLECTRIQUE

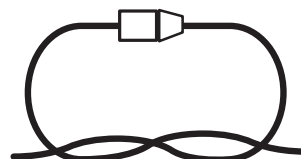
Longueur de cordon :	Jusqu'à 15 m	+15m -30 m
Calibre min. de fil (AWG) :	16	14

4. Pour empêcher que le cordon de l'outil se débranche de la rallonge électrique pendant son utilisation, faites un nœud avec les deux cordons comme indique le Tableau 1.

Tableau 1. Méthode d'attache de rallonge électrique



(A) Nouer les cordons comme sur l'illustration



(B) Brancher la fiche dans la prise

5. N'utilisez pas le cordon à mauvais escient. Ne jamais tirer la scie à chaîne à manche télescopique par le cordon et ne pas tirer brusquement sur le cordon pour le retirer de la prise. Maintenez le cordon éloigné de la chaleur, de l'huile et des objets tranchants.

Consignes de sécurité spécifiques pour les scies à chaîne à manche télescopique

⚠️ AVERTISSEMENT! DANGER D'ÉLECTROCUTION! –

Pour éviter de vous électrocuter, ne pas utiliser la scie à chaîne à manche télescopique à moins de 15 m de lignes électriques aériennes. Le non-respect de ces consignes pourrait entraîner de graves blessures.

Conseils d'utilisation pour les scies à chaîne à manche télescopique

- Notez l'endroit où se trouve la rallonge électrique par rapport à l'outil. Pendant l'utilisation de la scie à chaîne à manche télescopique, veillez à ne pas trébucher sur la rallonge.
- Maintenez en permanence la rallonge éloignée de la chaîne et de l'utilisateur.
- Maintenez les enfants, les animaux et les spectateurs à bonne distance de la scie à chaîne à manche télescopique et de la rallonge électrique.
- Seul l'utilisateur de la scie à chaîne à manche télescopique doit être dans la zone de travail.
- N'utilisez pas la scie à chaîne à manche télescopique pour abattre des arbres.
- Les deux mains sont toujours nécessaires pour utiliser la scie à chaîne à manche télescopique. Saisissez fermement la scie à chaîne à manche télescopique, une main sur la gâchette et l'autre sur le manche.
- Avant de démarrer la scie à chaîne à manche télescopique, assurez-vous que la chaîne de la scie n'est en contact avec rien.
- Ne laissez pas la scie à chaîne à manche télescopique venir en contact avec tout ce qui est mis à la terre, par exemple les tuyaux, les clôtures ou les poteaux métalliques.
- Ne forcez pas sur la scie à chaîne à manche télescopique pendant que vous sciez. Appliquez une légère pression. Elle exécutera le travail efficacement et sans danger si elle est utilisée au régime pour lequel elle a été conçue.
- Quand vous coupez une branche qui est sous tension, faites preuve d'une extrême prudence. Quand la tension d'une branche se libère, elle peut se rabattre brutalement et frapper l'utilisateur en causant des blessures graves, voire même fatales.
- Ne transportez pas l'outil quand il est branché.

Transportez la scie à chaîne à manche télescopique d'un endroit à un autre après l'avoir débranchée. Pendant son transport, tenez le manche au niveau de son point d'équilibre (près de l'extrémité de la scie), le guide-chaîne et la chaîne tournés vers l'arrière.

- N'utilisez pas la scie à chaîne à manche télescopique pour tailler de petits buissons ou des arbustes. Les petites branches peuvent s'attraper dans la chaîne et frapper en coup de fouet l'utilisateur, ce qui pourrait le déséquilibrer.
- Maintenez toutes les parties du corps à bonne distance de la chaîne de sciage.
- Lorsque les lames sont en mouvement, rien ne doit être retiré ou tenu à la main pour être scié. Avant de retirer tout ce qui coince la lame, assurez-vous que l'interrupteur est à la position d'arrêt. La chaîne de sciage continue à se mouvoir après avoir fermé l'interrupteur. Lorsque vous utilisez la scie à chaîne à manche télescopique, un moment d'inattention peut se traduire par de graves dommages corporels.
- Transportez la scie à chaîne à manche télescopique par la poignée, la chaîne de sciage étant arrêtée. Lorsque vous transportez ou remisez la scie à chaîne à manche télescopique, remplacez toujours la coiffe protectrice. En maniant la scie à chaîne à manche télescopique de façon appropriée, vous réduirez le risque que la chaîne de sciage vous blesse.
- Saisissez la scie à chaîne à manche télescopique en plaçant les mains uniquement sur les surfaces isolées prévues à cet effet, car la chaîne de sciage peut entrer en contact avec un câble dissimulé ou son cordon d'alimentation. Lorsque la chaîne de sciage touche un fil « sous tension », les pièces métalliques à nu de la scie à chaîne à manche télescopique peuvent elles aussi être « sous tension » et électrocuter l'utilisateur.
- Maintenez le câble à l'écart de la zone de sciage. Pendant l'utilisation de l'outil, le câble peut être caché dans des buissons et accidentellement coupé par la chaîne de sciage.
- N'utilisez pas la scie à chaîne à manche télescopique par mauvais temps, surtout quand la foudre risque de tomber. Cette précaution réduit le risque d'être frappé par la foudre.
- Protégez-vous toujours la tête quand vous utilisez la scie à chaîne à manche télescopique pour un travail en hauteur à bout de bras. Les chutes de débris peuvent être à l'origine de graves dommages corporels.

Effet de rebond

⚠️ AVERTISSEMENT! Un effet de rebond peut se produire quand le pignon de renvoi ou l'extrémité du guide-chaîne touche quelque chose ou quand le bois se rapproche trop près de la chaîne de la scie et la pince dans l'entaille en la retenant.

ÉVITER DE METTRE EN CONTACT L'EXTRÉMITÉ DU GUIDE-CHAÎNE AVEC QUOI QUE CE SOIT. Dans certains cas, quand l'extrémité entre en contact avec quelque chose, il

peut se produire une brusque réaction inverse faisant rebondir le guide-chaîne vers le haut et vers l'arrière en direction de l'utilisateur. Le pincement de la chaîne de la scie le long de la partie supérieure du guide-chaîne peut également le pousser et le faire reculer rapidement en direction de l'utilisateur. L'une ou l'autre de ces réactions peut vous faire perdre le contrôle de la scie à chaîne à manche télescopique et vous blesser gravement.

- Parmi les dispositifs de protection contre les rebonds équipant cette scie à chaîne à manche télescopique figurent une chaîne à maillons anti-rebond et un guide-chaîne à faible rebond. Ces dispositifs réduiront les effets de rebond, sans toutefois les supprimer entièrement. Pour éviter les effets de rebond, prenez les précautions nécessaires indiquées dans ce manuel d'utilisation.
- Tenez toujours des deux mains la scie à chaîne à manche télescopique quand vous l'utilisez, une main pressant la gâchette et l'autre main saisissant le manche. Tenez fermement la poignée et le manche. Les deux pouces et les doigts doivent s'enrouler autour de la gâchette et du manche.
- Maintenez en place tous les dispositifs de protection sur la scie à chaîne à manche télescopique. Assurez-vous qu'ils sont en bon ordre de marche.
- Ne vous arc-boutez pas et ne déployez pas les bras au-dessus de l'épaule.
- Restez en permanence sur vos deux pieds pour ne pas perdre l'équilibre.
- N'essayez jamais de scier deux branches à la fois. Sciez une branche à la fois.
- N'enterrez pas le nez du guide-chaîne ou n'essayez pas de scier en enfonçant le nez du guide-chaîne dans le bois.
- Surveillez les mouvements du bois ou d'autres forces pouvant pincer la chaîne.
- Faites preuve d'extrême prudence quand vous entrez à nouveau dans une entaille ancienne.
- Utilisez la chaîne et le guide-chaîne à faible rebond fournis avec cette scie à chaîne à manche télescopique. Utilisez uniquement les pièces de rechange authentiques Snow Joe® + Sun Joe® conçues spécialement pour être utilisées avec cette scie à chaîne à manche télescopique.
- N'utilisez jamais une chaîne émoussée ou lâche. Maintenez la chaîne affûtée et correctement tendue.

Précautions à prendre pour élaguer en utilisant une scie à chaîne à manche télescopique


- Ne vous tenez jamais debout directement sous la branche que vous élaguez. Positionnez-vous toujours à l'écart des endroits où retombent les débris.
- Quand vous utilisez la scie à chaîne à manche télescopique, ne montez jamais sur une échelle ou sur tout autre type de support instable.
- Maintenez la surface de toutes les poignées et du

manche sèche, propre et exempte d'huile et de graisse.

- Tenez toujours la scie à chaîne à manche télescopique des deux mains quand vous l'utilisez. Maintenez une pression ferme et régulière sur la scie à chaîne à manche télescopique pendant que vous sciez, mais n'essayez pas de scier des branches dont le diamètre est supérieur à la longueur du guide-chaîne.
- Maintenez les autres personnes et les animaux familiers à l'écart de l'extrémité de la scie à chaîne à manche télescopique et à bonne distance de la zone de travail.
- N'utilisez pas la scie à chaîne à manche télescopique près de câbles, de lignes électriques ou de lignes téléphoniques. Maintenez un dégagement minimal de 15 m entre la scie et les lignes électriques.

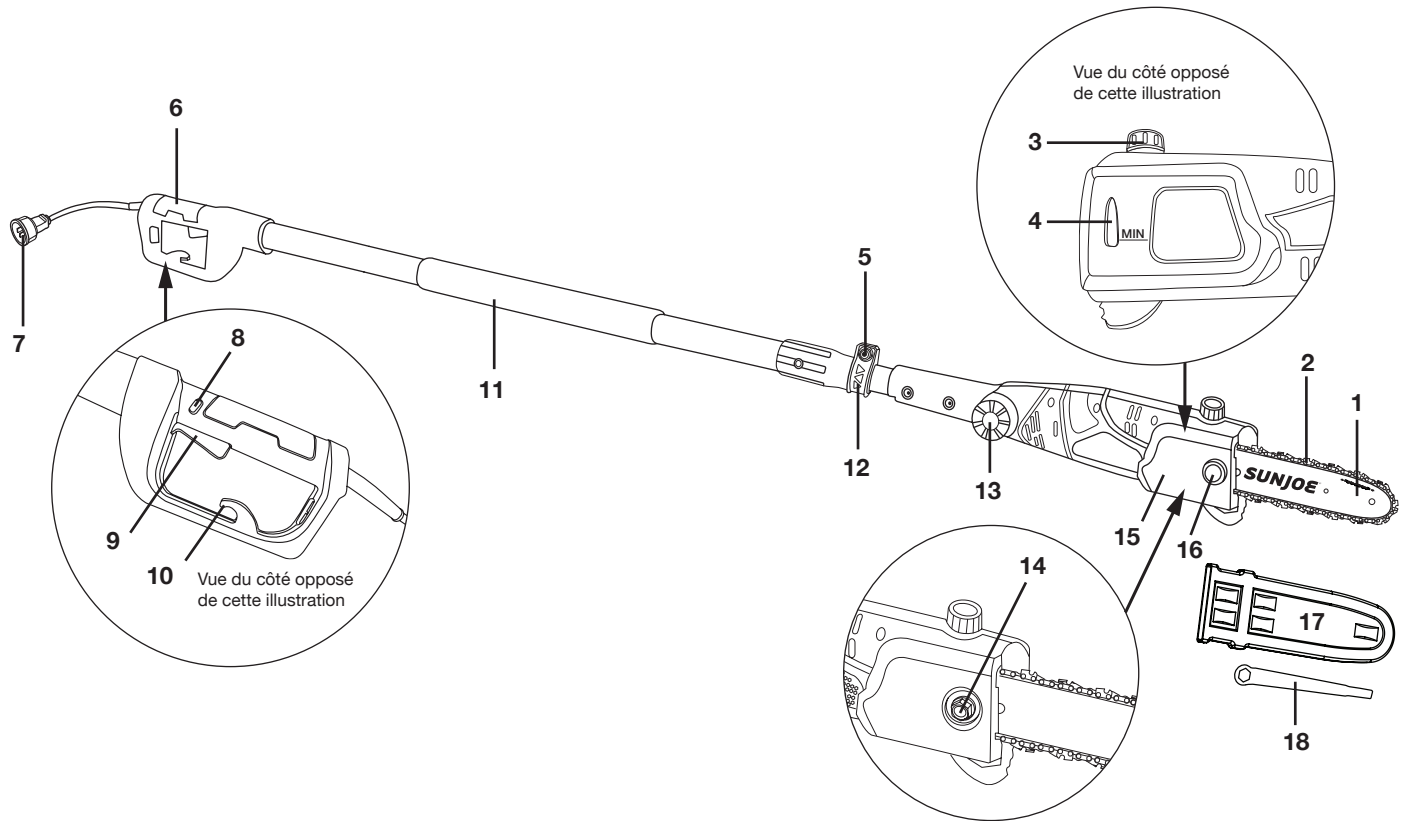
Symboles de sécurité

Le tableau suivant décrit et explique les symboles de sécurité pouvant être marqués sur cet outil. Lisez, comprenez et suivez toutes les instructions sur l'outil avant d'essayer de procéder à son assemblage et de l'utiliser.

Symboles	Descriptions	Symboles	Descriptions
	LIRE LE OU LES MANUELS D'UTILISATION – Lire, comprendre et suivre toutes les consignes de sécurité du ou des manuels avant d'essayer d'assembler et d'utiliser l'outil.		Maintenir les spectateurs et les enfants à une distance de sécurité suffisante.
	ALERTE DE SÉCURITÉ – Indique une précaution, un avertissement ou un danger.		AVERTISSEMENT! Ne pas utiliser l'outil sous la pluie ou par forte humidité.
	Porter un équipement de protection individuelle, notamment des vêtements serrés de près.		PORT OBLIGATOIRE DE LUNETTES DE SÉCURITÉ ET DE SERRE-TÊTE ANTIBRUIT – Pour éviter de se blesser, porter des protecteurs d'oreilles et des lunettes de sécurité.
	MISE EN GARDE! Éviter de mettre en contact l'extrémité du guide-chaîne avec quoi que ce soit. Le contact de l'extrémité peut forcer le guide-chaîne à se déplacer brusquement vers le haut et vers l'arrière, ce qui peut gravement blesser l'utilisateur.		AVERTISSEMENT! DANGER D'ÉLECTROCUTION – Maintenir une distance d'au moins 15 m avec des lignes électriques. Ne pas s'arc-bouter. Restez en permanence sur les deux pieds pour ne pas perdre l'équilibre.
 	DANGER! LAMES ROTATIVES – Tenir les mains et les pieds éloignés des ouvertures quand la scie tourne.	 	Porter des gants de protection et des chaussures antidérapantes pour utiliser la machine et manipuler les débris.
	DÉBRANCHER! Retirer le cordon de la prise avant tout nettoyage ou toute vérification d'entretien.		DÉBRANCHER! Retirer immédiatement le cordon de la prise s'il est endommagé ou entaillé.
	La pièce tournante continuera de tourner plusieurs secondes après avoir arrêté la machine.		Double isolation.

Apprenez à mieux connaître votre scie à chaîne électrique à manche télescopique

Lisez attentivement le manuel de l'utilisateur et les consignes de sécurité avant d'utiliser la scie à chaîne à manche télescopique. Comparez l'illustration ci-dessous avec la scie à chaîne à manche télescopique pour vous familiariser avec l'emplacement des différents réglages et commandes. Conservez ce manuel pour pouvoir le consulter dans le futur.



- | | |
|--|--|
| 1. Guide-chaîne de 25,4 cm | 10. Crochet de retenue de rallonge électrique |
| 2. Chaîne de 25,4 cm | 11. Rembourrage en mousse |
| 3. Bouchon de réservoir d'huile | 12. Came de serrage pour manche télescopique |
| 4. Hublot indicateur de niveau d'huile | 13. Bouton de réglage de tête multiangles |
| 5. Écrou de came de serrage pour manche télescopique | 14. Écrou de coiffe arrière (sous le capuchon) |
| 6. Poignée arrière | 15. Coiffe arrière de chaîne/pignon |
| 7. Cordon d'alimentation | 16. Capuchon d'écrou de coiffe arrière |
| 8. Bouton-poussoir de sécurité | 17. Coiffe protectrice de guide-chaîne |
| 9. Gâchette | 18. Outil combiné clé Allen/tournevis à lame plate |

Données techniques

Tension nominale.....	120 V ~ 60 Hz
Puissance.....	8 A
Régime à vide.....	6 000 tr/min
Longueur de guide/chaîne	25,4 cm
Épaisseur de coupe max.....	24,1 cm

Recommandé : 21,6 cm

Tête multiangles	0° à 30°
Manche télescopique	De 1,8 m et 2,7 m
Portée en hauteur.....	Maximale de 4,6 m
Contenance du réservoir d'huile	60 ml
Poids net	3,6 kg

Déballage

Contenu de la caisse

- Scie à chaîne électrique à manche télescopique
- Chaîne de 25,4 cm
- Guide-chaîne de 25,4 cm
- Outil combiné clé Allen/tournevis à lame plate
- Coiffe protectrice de guide-chaîne
- Manuel et carte d'enregistrement

1. Retirez soigneusement la scie à chaîne à manche télescopique de la caisse et inspectez-la pour vérifier que tous les éléments énumérés ci-dessus sont fournis.
2. Inspectez soigneusement le contenu pour vous assurer qu'aucun élément n'a été brisé ou endommagé pendant le transport. Si vous constatez que des pièces manquent ou sont endommagées, NE PAS retourner l'outil au magasin. Veuillez appeler le service clientèle Snow Joe® + Sun Joe® au 1-866-SNOWJOE (1-866-766-9563).

REMARQUE : ne jetez pas la caisse d'expédition et l'emballage tant que vous n'êtes pas prêt à utiliser votre nouvelle scie à chaîne électrique à manche télescopique. L'emballage est fabriqué dans des matériaux recyclables. Éliminez ces matériaux de façon appropriée et conformément aux réglementations locales.

IMPORTANT! Le matériel et l'emballage ne sont pas des jouets. Ne laissez pas les enfants jouer avec les sacs en plastique, les feuilles métalliques ou les petites pièces. Ces éléments peuvent être avalés et présentent un danger de suffocation!

Assemblage

⚠️ AVERTISSEMENT! Toujours porter des gants résistants lors de la manipulation du guide-chaîne et de la chaîne. Assembler très minutieusement le guide et la chaîne pour ne pas compromettre la sécurité et l'efficacité de l'outil. En cas de doute, communiquer avec un revendeur Snow Joe® + Sun Joe® agréé ou appeler le service clientèle Snow Joe® + Sun Joe® au 1-866-SNOWJOE (1-866-766-9563).

⚠️ AVERTISSEMENT! Le déballage et l'assemblage doivent être effectués sur une surface plane et stable, suffisamment d'espace étant prévu pour déplacer l'outil et son emballage.

⚠️ DANGER! Ne jamais démarrer le moteur avant de poser le guide-chaîne, la chaîne et la coiffe arrière de chaîne. Si toutes ces pièces ne sont pas en place, l'embrayage peut voler en éclats ou exploser et l'utilisateur peut se blesser gravement.

⚠️ AVERTISSEMENT! Pour éviter de graves blessures, lire et comprendre toutes les consignes de sécurité fournies.

⚠️ AVERTISSEMENT! Avant d'effectuer le moindre entretien, s'assurer que l'outil est débranché. Toute personne ne tenant pas compte de cet avertissement s'expose à de graves blessures.

Pose/remplacement du guide-chaîne et de la chaîne

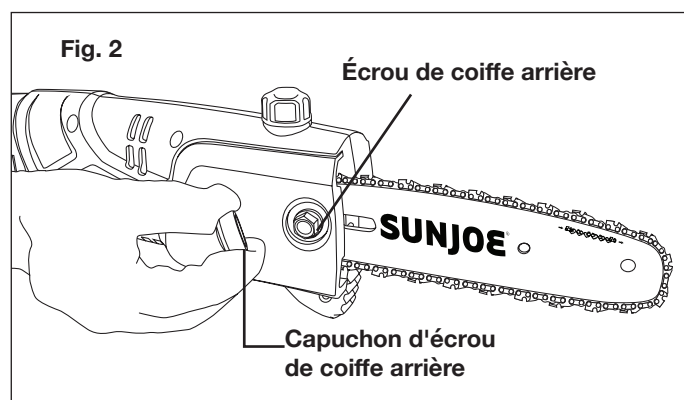
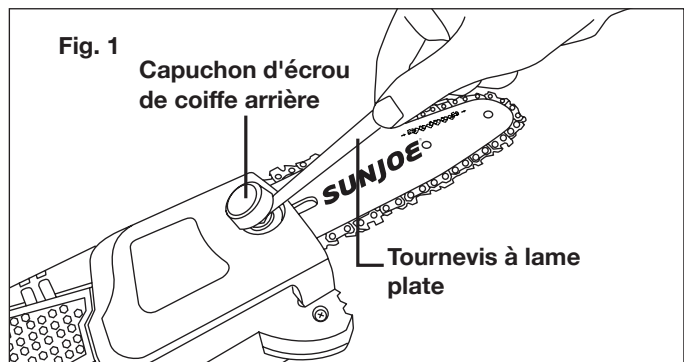
Outils et fournitures nécessaires :

- Outil combiné clé Allen/tournevis à lame plate (fourni)
- Gants de travail résistants

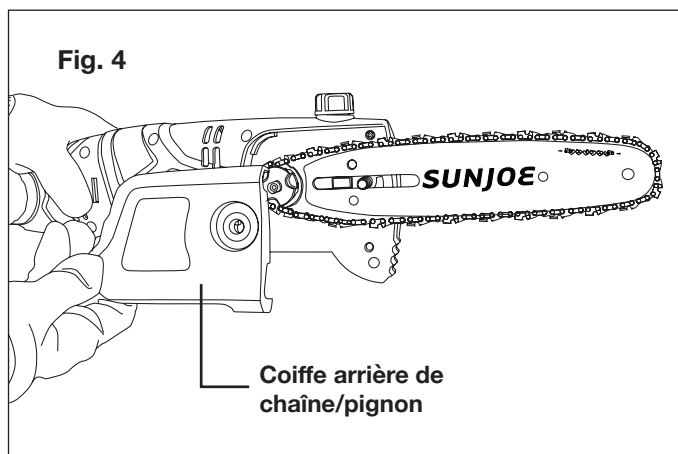
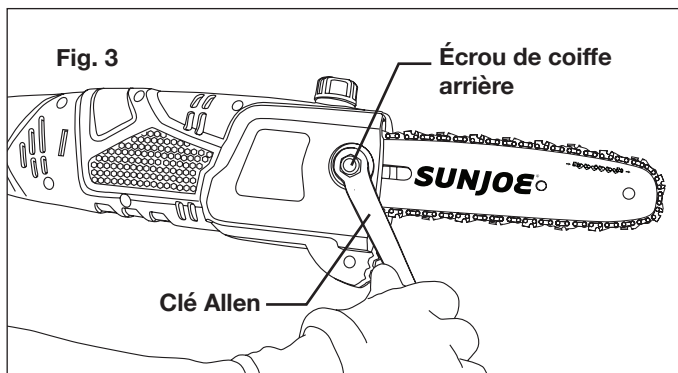
REMARQUE : pour le remplacement du guide-chaîne et de la chaîne, utilisez uniquement des pièces de rechange identiques. Avant de procéder à l'opération, assurez-vous que la scie à chaîne à manche télescopique est débranchée de la source d'alimentation électrique.

1. À l'aide du tournevis à lame plate fourni, retirez le capuchon d'écrou de coiffe arrière de chaîne/pignon pour mettre à nu l'écrou (Fig. 1 et 2).

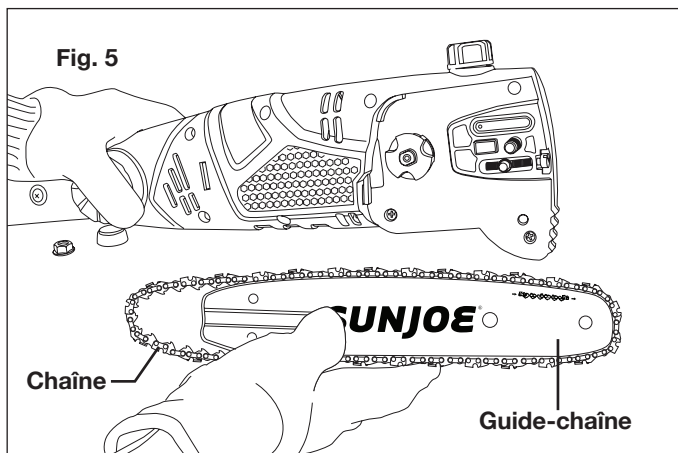
CONSEIL : lors du remplacement de la chaîne, enfillez temporairement le guide-chaîne dans sa coiffe pour une protection supplémentaire.




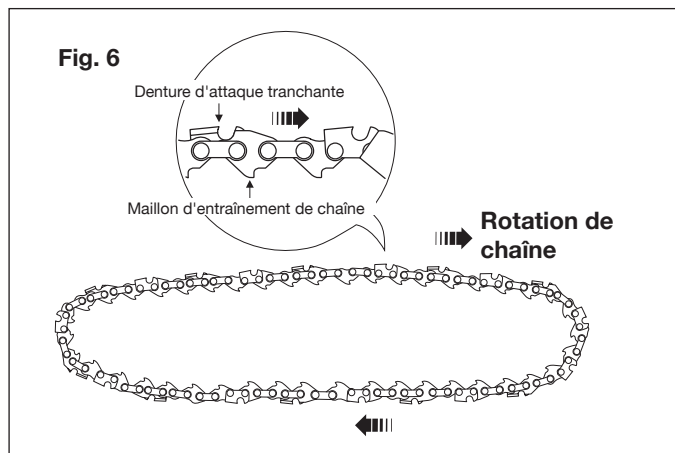
2. À l'aide de la clé Allen fournie, dévissez l'écrou de coiffe arrière et retirez la coiffe arrière de chaîne/pignon (Fig. 3 et 4).




3. Retirez le guide-chaîne et la chaîne de la surface de fixation (Fig. 5).

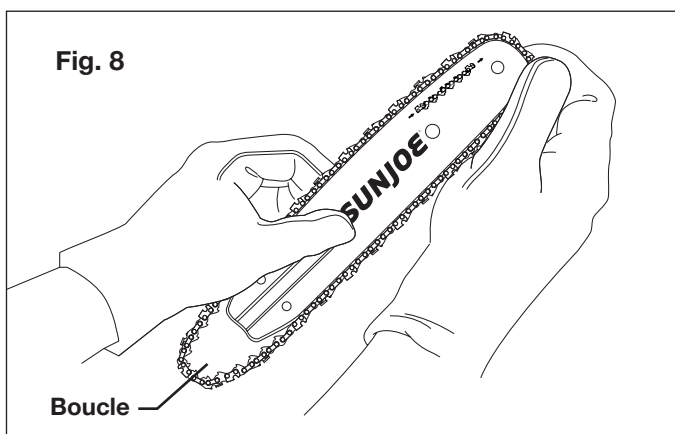
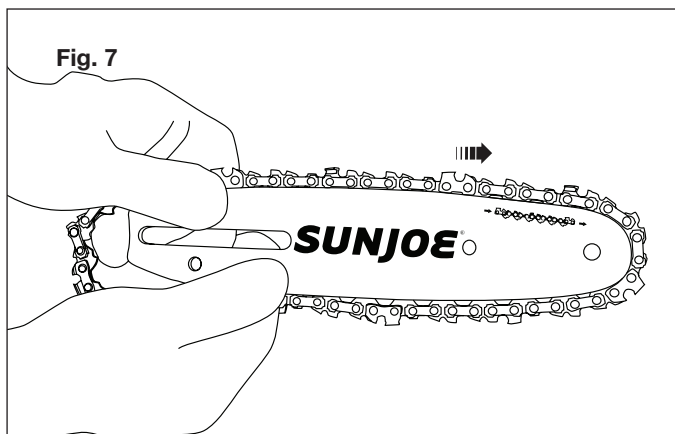


4. Retirez l'ancienne chaîne du guide.
5. Disposez la nouvelle chaîne de la scie de manière à ce qu'elle forme une boucle et en vous assurant qu'elle ne soit pas tordue. **LE CÔTÉ TRANCHANT DE LA DENT NE DOIT PAS VOUS FAIRE FACE ET DOIT ÊTRE DANS LE SENS DE LA ROTATION DE LA CHAÎNE INDICÉ SUR LE GUIDE-CHAÎNE** →  →. Si le côté tranchant vous fait face, retournez la boucle (Fig. 6).

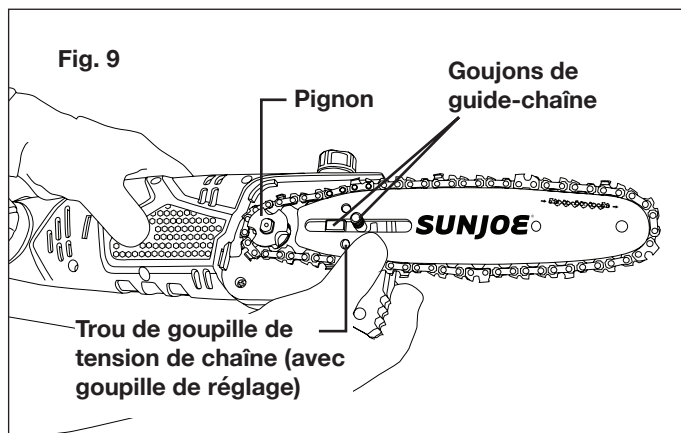


6. En commençant par l'extrémité, montez les maillons d'entraînement de la chaîne dans la rainure du guide-chaîne en formant une boucle à l'arrière du guide-chaîne. La chaîne s'ajustera en restant lâche jusqu'à ce qu'elle soit placée sur le pignon (Fig. 7 et 8).

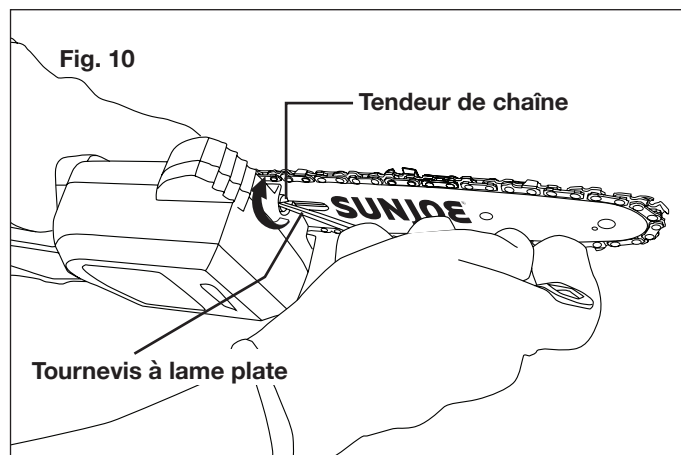
REMARQUE : assurez-vous du sens de la chaîne →  →. Si la chaîne est montée dans l'autre sens, la scie vibrera anormalement et ne sciera pas.



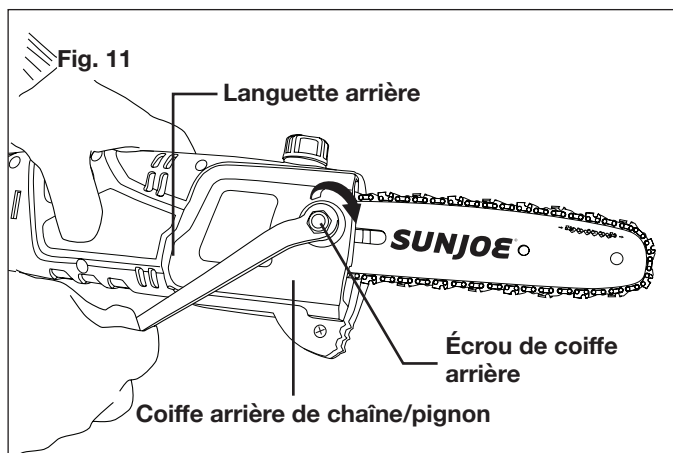
7. Maintenez la chaîne en position sur le guide-chaîne et enroulez la boucle autour du pignon. Placez le guide-chaîne pour qu'il repose bien contre la surface de fixation, pour que les goujons du guide-chaîne soient dans la longue fente du guide-chaîne et pour que la goupille de réglage soit dans le trou de la goupille de tension de chaîne (Fig. 9).



8. Réglez au besoin la tension de la chaîne en tournant la vis de tendeur de chaîne à l'aide du tournevis à lame plate fourni. Assurez-vous d'aligner la vis de tendeur de chaîne avec le trou de goupille (Fig. 10).

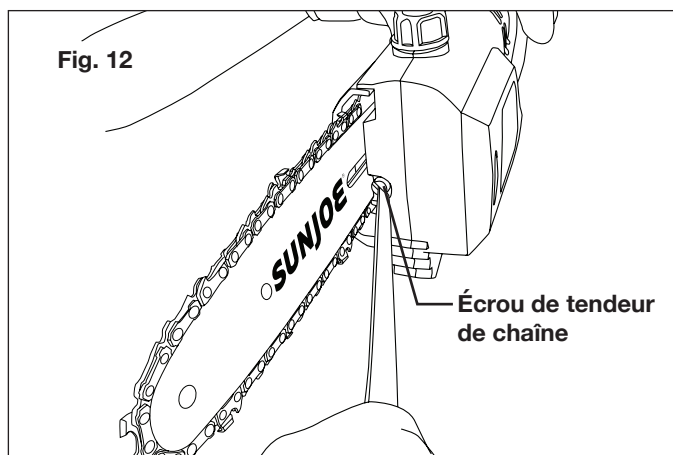


9. Remplacez la coiffe arrière de chaîne/pignon en insérant d'abord la languette arrière dans la fente prévue à cet effet et positionnez la coiffe sur la tête porte-scie. Serrez l'écrou de coiffe arrière, mais laissez le guide-chaîne se déplacer librement pour le réglage de la tension (Fig. 11).



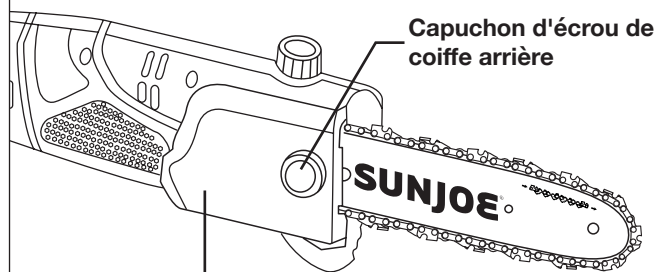
10. Éliminez complètement le jeu de la chaîne en tournant la vis du tendeur de chaîne dans le sens des aiguilles d'une montre jusqu'à ce que la chaîne repose parfaitement contre le guide, les maillons d'entraînement étant dans la rainure du guide-chaîne (Fig. 12).

REMARQUE : la chaîne est correctement tendue quand il n'y a pas de jeu sur la face inférieure du guide-chaîne, quand la chaîne repose bien sur le guide, mais quand il est toujours possible de la faire tourner à la main sans qu'elle grippe. Pour plus de renseignements sur la tension de la chaîne, consultez la section Entretien commençant en page 14.



11. Serrez l'écrou de coiffe arrière à l'aide de la clé Allen (Fig. 11), puis remplacez le capuchon d'écrou de coiffe arrière pour attacher la coiffe arrière de chaîne/pignon (Fig. 13).

Fig. 13



Coiffe arrière de chaîne/pignon

REMARQUE : si la chaîne est trop serrée, elle ne tournera pas. Desserrez légèrement l'écrou de coiffe arrière et tournez le tendeur de chaîne d'un quart (1/4) de tour dans le sens contraire des aiguilles d'une montre. Levez l'extrémité du guide-chaîne et serrez à nouveau l'écrou de coiffe arrière. Assurez-vous qu'il est possible de faire tourner la chaîne à la main sans qu'elle grippe.

REMARQUE : les chaînes neuves ont tendance à s'étirer; vérifiez fréquemment la tension de la chaîne et, au besoin, réglez la tension.

Utilisation

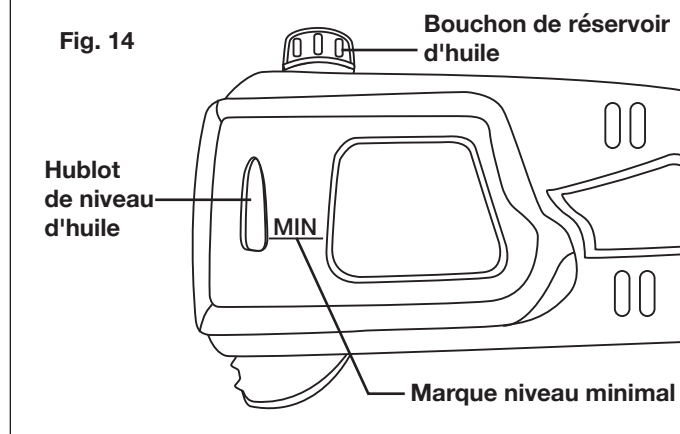
Démarrage et arrêt

⚠ MISE EN GARDE!

- Avant de démarrer la scie, retirez le bouchon du réservoir d'huile et ajoutez de l'huile pour chaîne et guide-chaîne jusqu'en haut du hublot de niveau d'huile (Fig. 14). Une minute d'utilisation consommera environ 4 ml d'huile. Ajoutez de l'huile quand le niveau d'huile est au quart (1/4) de la contenance du réservoir.

REMARQUE : votre scie à chaîne à manche télescopique électrique est équipée d'une pompe à huile automatique pour la lubrification du guide et de la chaîne. Vous devez ajouter de l'huile pour chaîne et guide-chaîne, sinon votre scie à chaîne à manche télescopique ne fonctionnera pas.

Fig. 14



- Démarrer, arrêter et redémarrer le moteur électrique à répétition et à quelques secondes d'intervalle peut dégager énormément de chaleur et endommager le moteur. Pour protéger la durée de vie de votre scie à chaîne télescopique électrique, attendez toujours au moins cinq secondes pour redémarrer la scie après l'avoir arrêtée.

⚠ AVERTISSEMENT! Lors du démarrage du moteur, s'assurer que la chaîne n'est en contact avec rien.

⚠ AVERTISSEMENT! Tenir les mains éloignées de la chaîne. Maintenir les mains sur les poignées. Ne pas s'arc-bouter.

En saisissant fermement l'outil des deux mains, vous le contrôlerez mieux. Quand vous utilisez la scie à chaîne à manche télescopique, placez une main sur la partie avant du manche rembourrée en mousse et l'autre main sur la poignée arrière, les deux pouces et les doigts enroulés autour du manche et de la poignée. Vous maintiendrez le contrôle de la scie en la saisissant fermement et en plaçant la poignée contre votre corps. Ne vous laissez pas entraîner par la scie à chaîne à manche télescopique quand vous l'utilisez.

⚠ AVERTISSEMENT! Ne pas utiliser la scie à chaîne à manche télescopique dans un arbre, sur une échelle ou sur un échafaudage. L'utilisation de l'outil dans de telles conditions est extrêmement dangereuse.

⚠ MISE EN GARDE! La chaîne continuera de tourner plusieurs secondes après avoir arrêté l'outil.

N'utilisez pas la scie à chaîne à manche télescopique par forte humidité. Faites preuve d'extrême précaution quand vous sciez des petits buissons, des arbustes ou des branches sous tension : la matière effilée et tendue peut se prendre dans la scie et se retourner en coup de fouet sur vous en vous faisant perdre l'équilibre ou sauter en arrière.

N'utilisez pas la scie à chaîne à manche télescopique pour tailler de la vigne et/ou de petits fourrés.

⚠ AVERTISSEMENT! Ne pas laisser votre familiarité avec l'utilisation de ce type d'outil vous empêcher de prendre toutes les précautions nécessaires. Ne pas oublier qu'une fraction de seconde d'inattention suffit pour se blesser gravement.

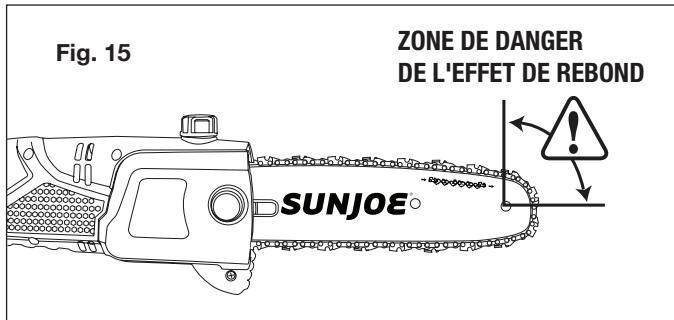
⚠ AVERTISSEMENT! Ne pas scier à proximité de lignes électriques.

⚠ AVERTISSEMENT! Le manque de lubrification de la chaîne endommagera le guide et la chaîne. Utiliser uniquement une huile de bonne qualité pour guide et chaîne spécifiquement conçue pour les scies à chaîne. Une minute d'utilisation consommera environ 4 ml d'huile.

REMARQUE : il est normal que de l'huile suinte de la scie quand on ne l'utilise pas. Pour empêcher les suintements, videz le réservoir d'huile après chaque utilisation. Quand vous

remisez l'outil pendant une période prolongée (3 mois ou plus), assurez-vous que la chaîne est légèrement lubrifiée; ceci empêchera la chaîne et le pignon du guide de rouiller.

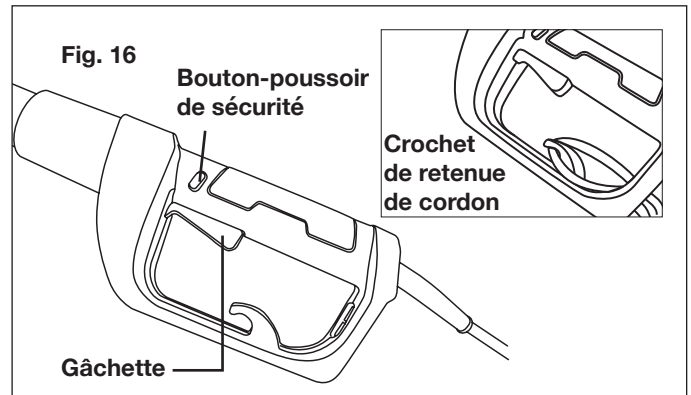
⚠️ AVERTISSEMENT! Lors de l'utilisation de la scie, ne pas oublier qu'il y a un cordon. Maintenir le cordon éloigné de la chaîne. Veiller à ne pas trébucher sur la rallonge électrique.



⚠️ AVERTISSEMENT! Un effet de rebond peut se produire quand la chaîne en mouvement entre en contact avec quelque chose au niveau de la partie supérieure de l'extrémité du guide-chaîne ou quand le bois se rapproche trop près et pince la scie à chaîne dans l'entaille (Fig. 15). Tout contact au niveau de la partie supérieure de l'extrémité du guide-chaîne peut forcer la chaîne à creuser dans ce qu'elle a touché et arrêter la chaîne pendant un instant. Il s'ensuit une réaction inverse rapide comme l'éclair qui fait rebondir le guide-chaîne vers le haut et vers l'arrière en direction de l'utilisateur. Si la chaîne de la scie est pincée le long de la partie supérieure du guide-chaîne, celui-ci peut être également entraîné rapidement vers l'arrière en direction de l'utilisateur. L'une ou l'autre de ces réactions peut faire perdre le contrôle de la scie, ce qui peut faire perdre l'équilibre à l'utilisateur et le blesser gravement. Ne comptez pas exclusivement sur les dispositifs de sécurité intégrés à la scie. En tant qu'utilisateur, vous devez prendre plusieurs précautions pour que vos travaux de sciage ne donnent lieu à aucun accident et aucune blessure.

1. Avant chaque séance d'utilisation de la scie, parcourez la liste de contrôle quotidienne (voir page 17).
2. Branchez la scie à chaîne électrique à manche télescopique sur une prise 120 V à l'aide d'une rallonge électrique ultra robuste pour l'extérieur, par exemple la rallonge électrique 50 pieds de calibre 14 Snow Joe® + Sun Joe® SJTW-A dont les extrémités s'éclairent quand elle est sous tension (modèle PJEXT50-B). Veuillez vous rendre sur le site sunjoe.com pour commander en ligne ou appelez le 1-866-SNOWJOE (1-866-766-9563) pour commander par téléphone.
3. Faites une boucle avec le cordon d'alimentation, poussez-la à travers le trou dans le manche et faites-la passer autour du crochet de retenue de cordon (Fig. 16), puis branchez la rallonge électrique dans le cordon de la machine.
4. Pour mettre en marche l'outil, appuyez sur le bouton-poussoir de sécurité (situé sur la poignée arrière) en le maintenant enfoncé à l'aide du pouce et pressez ensuite la gâchette avec les doigts. Une fois que l'outil a démarré,

vous pouvez relâcher le bouton-poussoir de sécurité (Fig. 16).

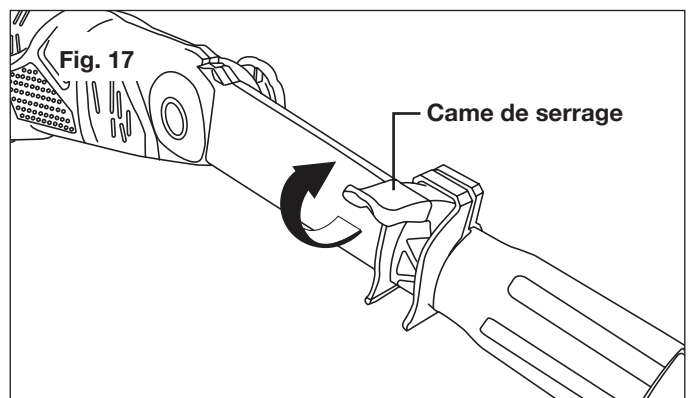


5. Pour arrêter l'outil, relâchez la gâchette (Fig. 16).

REMARQUE : ne pressez pas la gâchette tant que vous n'êtes pas prêt à scier.

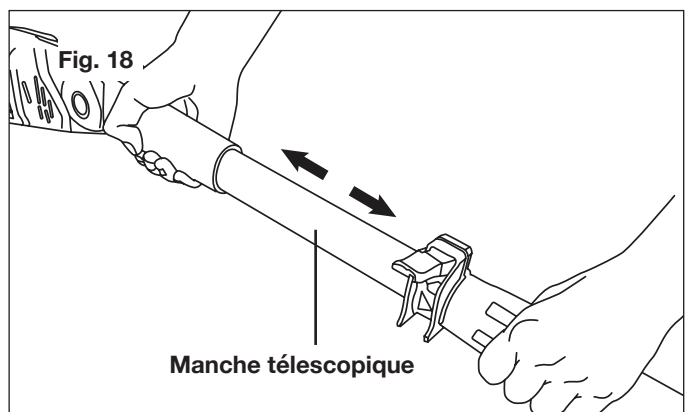
Réglage du manche télescopique

1. Débranchez la scie de la source d'alimentation électrique.
2. Ouvrez la came de serrage pour libérer le manche (Fig. 17).

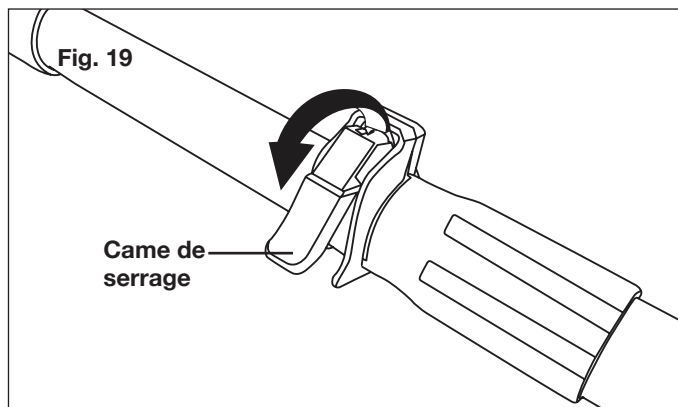


3. Déployez le manche à la longueur voulue (Fig. 18).

REMARQUE : poussez les éléments du manche en les rapprochant l'un de l'autre pour raccourcir le manche, ou tirez-les en les éloignant l'un de l'autre pour rallonger le manche. Déployez uniquement le manche sur la longueur minimale nécessaire pour atteindre la branche à couper.



4. Verrouillez le manche à la longueur voulue en fermant la came de serrage (Fig. 19) et assurez-vous que le manche est bien attaché. Si le manche se rallonge ou se raccourcit quand la came de serrage est fermée, l'écrou doit être resserré.

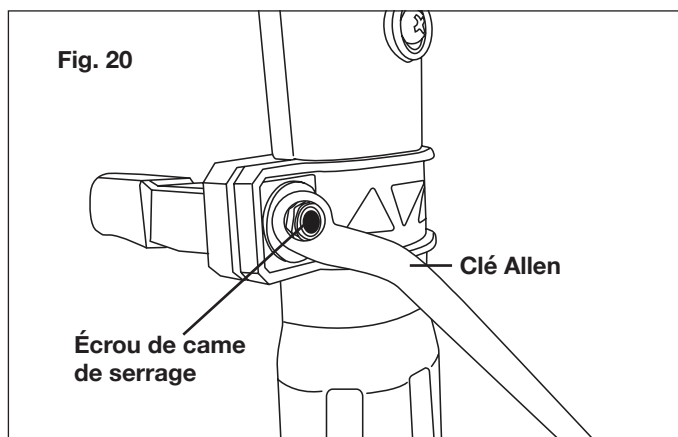


⚠ AVERTISSEMENT! Si la came de serrage du manche télescopique n'est pas verrouillée comme cela est indiqué, l'utilisateur peut se blesser.

Serrage du boulon

Le boulon de retenue peut nécessiter d'être serré pour bien attacher le manche télescopique à la longueur voulue.

1. Ouvrez la came de serrage. À l'aide de la clé Allen, serrez l'écrou de la came de serrage, puis fermez la came de serrage. Assurez-vous que le manche est bien attaché. Si vous devez ajuster le manche à une longueur différente, la clé peut être nécessaire pour desserrer l'écrou de la came de serrage (Fig. 20).



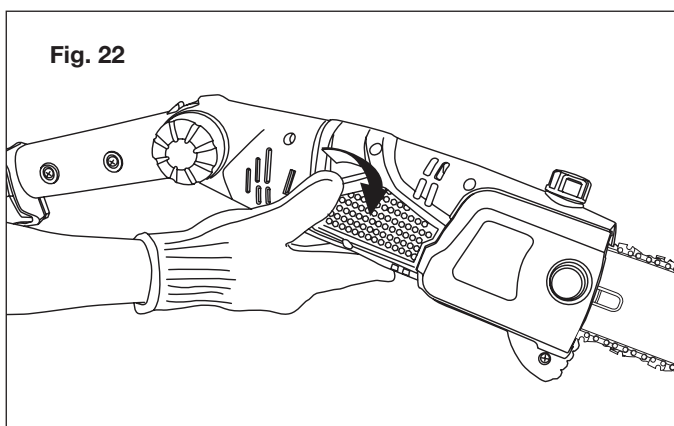
Réglage de la tête multiangles

La tête porte-scie à chaîne à manche télescopique peut pivoter pour former un angle de sciage de 0° ou 30°.

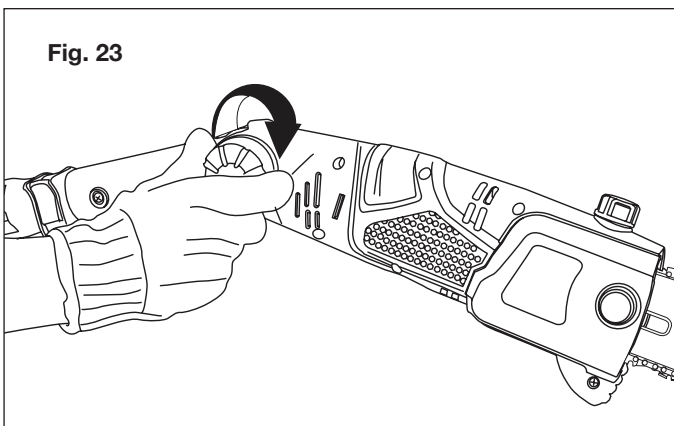
1. Débranchez la scie à chaîne à manche télescopique de la source d'alimentation électrique.
2. Pour desserrer la tête, tournez le cadran de réglage de tête multiangles dans le sens contraire des aiguilles d'une montre (Fig. 21).



3. Réglez la tête sur la position voulue (Fig. 22).



4. Pour mettre en place la tête et la serrer, tournez le cadran dans le sens des aiguilles d'une montre (Fig. 23).

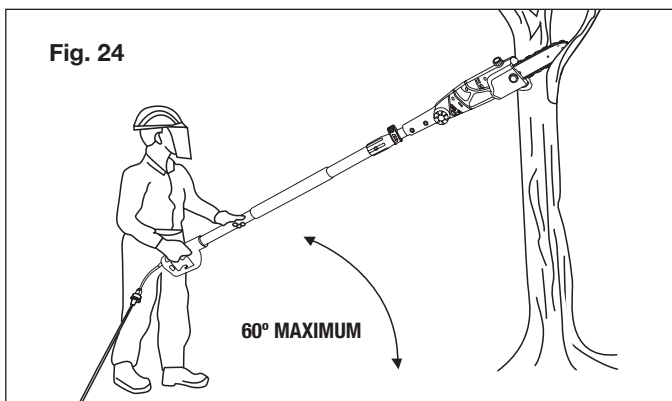


REMARQUE : le fait de ne pas attacher correctement la tête à l'aide du cadran de réglage peut être à l'origine de dommages corporels et/ou matériels.

Conseils pour le sciage

Posture appropriée pour le sciage

- Répartissez votre poids sur les deux pieds, debout sur un sol stable.
- Votre corps doit toujours être à gauche de l'axe de la chaîne.
- La posture de sciage la plus courante consiste à positionner l'outil en formant un angle de 60° ou moins ouvert, selon la situation (Fig. 24). Au fur et à mesure que l'angle formé par l'axe de la scie à chaîne à manche télescopique avec le sol augmente, il devient de plus en plus difficile d'effectuer la première entaille (depuis le dessous de la branche).



Procédure élémentaire de sciage

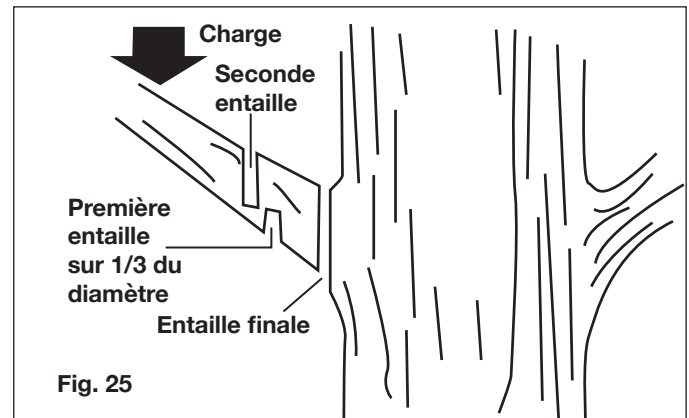
Cet outil est conçu pour tailler de petites branches et du branchage d'un diamètre maximal de 24,1 cm, selon le type de bois. Avant d'entamer des travaux de sciage majeurs, entraînez-vous à couper de petites branches en utilisant la technique suivante pour mieux « sentir » la scie.

- Prenez la posture appropriée en vous plaçant devant l'arbre, la scie étant arrêtée (Fig. 24).
- Avant d'effectuer une entaille, pressez la gâchette et laissez la chaîne tourner jusqu'à ce qu'elle atteigne sa vitesse maximale.
- Laissez la chaîne tourner pendant toute la durée du sciage; maintenez une vitesse régulière.
- Laissez la chaîne scier pour vous; exercez uniquement une légère pression vers le bas. Si vous forcez le sciage, le guide-chaîne, la chaîne, voire même l'outil, peuvent être endommagés.
- **POUSSER-TIRER** – Le sens de cette force de réaction est toujours opposé au sens dans lequel la chaîne tourne quand elle est en contact avec le bois. Ainsi, l'utilisateur doit être prêt à contrôler l'effet **TIRER** quand la scie s'appuie sur le bord inférieur du guide-chaîne, et l'effet **POUSSER** quand la scie s'appuie le long du bord supérieur.
- N'exercez aucune pression sur la scie à la fin du sciage.

Élagage

L'élagage consiste à tailler les branches d'un arbre vivant.

- Retirez les branches longues en plusieurs étapes.
- Coupez d'abord les branches inférieures pour faire de la place aux branches supérieures qui vont tomber.
- Lors de l'élagage d'un arbre, il importe de ne pas effectuer l'entaille finale à proximité d'une branche principale ou du tronc tant que la branche la plus éloignée n'a pas été coupée. Ceci réduira le poids et évitera de détacher de l'écorce de la branche principale ou du tronc.
- La première entaille doit être pratiquée dans la partie inférieure de la branche, sur 1/3 de son diamètre. La seconde entaille doit être pratiquée dans la partie supérieure de la branche pour la faire tomber (Fig. 25). Préparez-vous à compenser le poids de la scie à chaîne télescopique quand la branche tombe.



- Vous pouvez alors pratiquer sans heurts une entaille finale franche depuis la partie supérieure de la branche et contre la branche principale ou le tronc pour que l'écorce repousse et cicatrise le bois.
- Relâchez la gâchette marche/arrêt dès que le sciage est achevé. Si vous ne vous conformez pas à ces procédures de sciage, le guide et la chaîne se gripperont et seront pincés ou bloqués dans la branche.

Ébranchage

L'ébranchage consiste à retirer les branches d'un arbre qui a été abattu.

- Vous devez scier les branches une par une. Retirez souvent les branches coupées de la zone de travail pour la maintenir propre et exempte de danger.
- Sciez les branches sous tension depuis le bas et vers le haut pour éviter que la scie à chaîne se grippe.
- Pendant l'ébranchage, faites en sorte que l'arbre soit toujours entre vous et la scie à chaîne à manche télescopique. Sciez depuis le côté de l'arbre opposé à la branche que vous coupez.

Si la scie se pince ou se bloque

1. Attendez que la chaîne s'arrête, patientez cinq minutes pour que la scie se refroidisse, débranchez le cordon d'alimentation et mettez des gants pour vous protéger les mains des dents de la chaîne.
2. Si vous pouvez atteindre la branche depuis le sol, soulevez la branche tout en tenant la scie. Ceci doit mettre un terme au « pincement » et libérer la scie.
3. Si la scie reste bloquée, appelez un professionnel pour de l'aide.

Réduire au minimum l'effet de rebond

Un effet de rebond peut se produire quand la chaîne en mouvement entre en contact avec quelque chose au niveau de la partie supérieure de l'extrémité du guide-chaîne ou quand le bois se rapproche trop près et pince la scie à chaîne à manche télescopique dans l'entaille. Tout contact au niveau de la partie supérieure de l'extrémité du guide-chaîne peut forcer la chaîne à creuser dans ce qu'elle a touché et arrêter la chaîne pendant un instant. Il s'ensuit une réaction inverse rapide comme l'éclair qui fait rebondir le guide-chaîne vers le haut et vers l'arrière en direction de l'utilisateur. Si la scie à chaîne à manche télescopique est pincée le long de la partie supérieure du guide-chaîne, celui-ci peut être également entraîné rapidement vers l'arrière en direction de l'utilisateur. L'une ou l'autre de ces réactions peut faire perdre le contrôle de la scie, ce qui peut entraîner de graves blessures. Ne comptez pas exclusivement sur les dispositifs de sécurité intégrés à la scie. En tant qu'utilisateur de scie à chaîne à manche télescopique, vous devez prendre plusieurs mesures pour que vos travaux de sciage ne donnent lieu à aucun accident et aucune blessure.

Prenez les précautions suivantes pour réduire au minimum l'effet de rebond :

- Avant de démarrer l'outil, assurez-vous que la scie à chaîne à manche télescopique n'est en contact avec aucun objet.
- Quand l'outil est en marche, saisissez toujours des deux mains et fermement le manche et la poignée. Placez une main sur le manche et l'autre main sur la poignée arrière, les deux pouces et les doigts enroulés autour du manche et de la poignée. En cas d'effet de rebond, vous maintiendrez le contrôle de la scie en la saisissant fermement et en plaçant la poignée contre votre corps.
- Assurez-vous que la zone dans laquelle vous sciez est complètement dégagée.
- Ne laissez pas la zone du guide-chaîne propice aux effets de rebond entrer en contact avec une bûche, une branche, une clôture ou tout autre obstacle pouvant être heurté pendant que vous utilisez la scie à chaîne à manche télescopique (Fig. 15).

- Sciez toujours quand la chaîne tourne à pleine vitesse. Pressez à fond la gâchette marche/arrêt et maintenez la chaîne à une vitesse constante.
- Portez des gants antidérapants pour une meilleure prise en main et une protection plus efficace.
- Déployez uniquement le manche sur la longueur minimale nécessaire pour atteindre la branche à couper. Ne levez pas la poignée arrière plus haut qu'à hauteur de taille.

Entretien

Pour toutes les opérations d'entretien non prévues dans ce manuel, veuillez communiquer avec un revendeur Snow Joe® + Sun Joe® agréé ou appeler le service clientèle Snow Joe® + Sun Joe® au 1-866-SNOWJOE (1-866-766-9563). Toute intervention effectuée par un centre d'entretien et de réparation non agréé ou par du personnel non qualifié annulera complètement la garantie.

⚠ AVERTISSEMENT! Pour votre sécurité et celle des autres :

- Il est essentiel d'entretenir correctement l'outil pour qu'il conserve son efficacité et sa sécurité d'origine au fil du temps.
- Maintenir serrés les écrous, les boulons et les vis pour s'assurer que le matériel est en bon état de marche et peut être utilisé sans danger.
- Ne jamais utiliser l'outil si des pièces sont usées ou endommagées. Les pièces endommagées doivent être remplacées et jamais réparées.
- Utiliser uniquement des pièces de rechange d'origine Snow Joe® + Sun Joe®. Les pièces qui ne sont pas de la même qualité peuvent gravement endommager le matériel, compromettre la sécurité et annuler la garantie.

⚠ AVERTISSEMENT! Toujours débrancher le cordon d'alimentation avant d'effectuer un réglage quelconque, de l'entretien ou des réparations sur votre scie à chaîne à manche télescopique.

- Portez des gants de protection quand vous manipulez le guide-chaîne ou la chaîne.
- Laissez le guide-chaîne dans sa coiffe de protection, sauf quand vous travaillez sur le guide-chaîne ou sur la chaîne.
- N'éliminez jamais de l'huile ou d'autres matières polluantes dans les endroits où cela n'est pas autorisé.

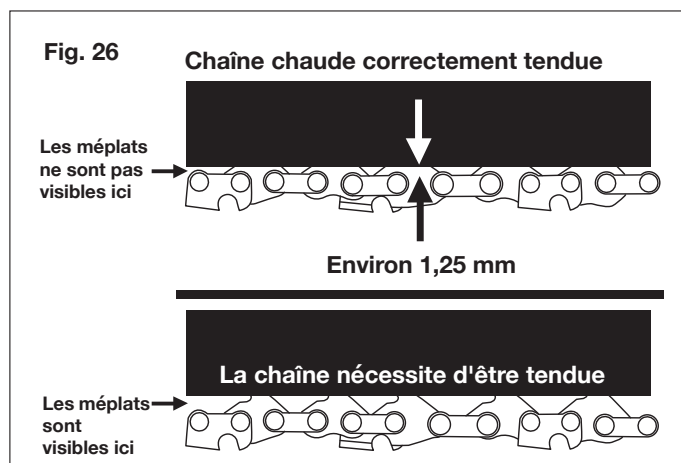
Refroidissement du moteur

Pour empêcher que le moteur surchauffe et soit endommagé, maintenez toujours les ouvertures d'aération propres et exemptes de sciure et de débris.

Tension de chaîne

Quand la chaîne est froide, vérifiez sa tension avant d'utiliser la scie. La tension d'une chaîne froide est correcte quand il n'y a pas de jeu sur la face inférieure du guide-chaîne, quand la chaîne repose bien sur le guide, mais quand il est toujours possible de la faire tourner à la main sans qu'elle grippe.

Quand la chaîne est utilisée normalement, sa température augmente. Les maillons d'entraînement d'une chaîne qui est chaude et correctement tendue pendent en ressortant d'environ 1,25 mm de la rainure du guide-chaîne (Fig. 26). Sachez qu'une chaîne bien tendue quand elle est chaude peut se tendre excessivement en se refroidissant. Vérifiez la tension « à froid » avant l'utilisation suivante. La chaîne doit être de nouveau tendue toutes les fois que les méplats sur les maillons d'entraînement pendent en ressortant de la rainure du guide-chaîne (Fig. 26).



REMARQUE : une chaîne neuve a tendance à s'étirer. Vérifiez fréquemment la tension de la chaîne et, au besoin, tendez-la à nouveau.

Écrous et vis

Vérifiez périodiquement que tous les écrous et vis sont bien attachés et serrés. Vérifiez que la came de serrage qui commande le manche télescopique est intacte et en bon ordre de marche.

Affutage de chaîne

⚠ AVERTISSEMENT! Pour être certain que la scie à chaîne fonctionne efficacement et sans danger, il est essentiel que les composants de coupe soient bien affûtés. **Il est vivement recommandé de remplacer la chaîne une fois qu'elle ne peut plus couper proprement et sans danger.**

Il est toutefois possible d'affûter la chaîne existante si l'affutage est effectué soigneusement. Tout travail sur la chaîne et le guide-chaîne nécessite de l'expérience et des outils spéciaux. Par mesure de sécurité, nous vous recommandons de communiquer avec un revendeur Snow Joe® + Sun Joe® agréé ou d'appeler le service clientèle Snow Joe® + Sun Joe® au 1-866-SNOWJOE (1-866-766-9563).

L'affutage est nécessaire quand :

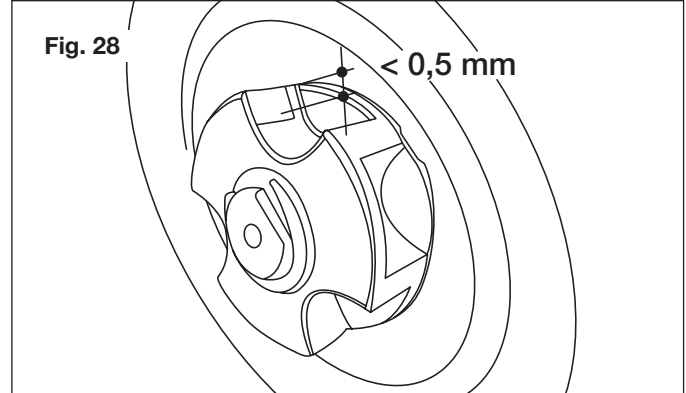
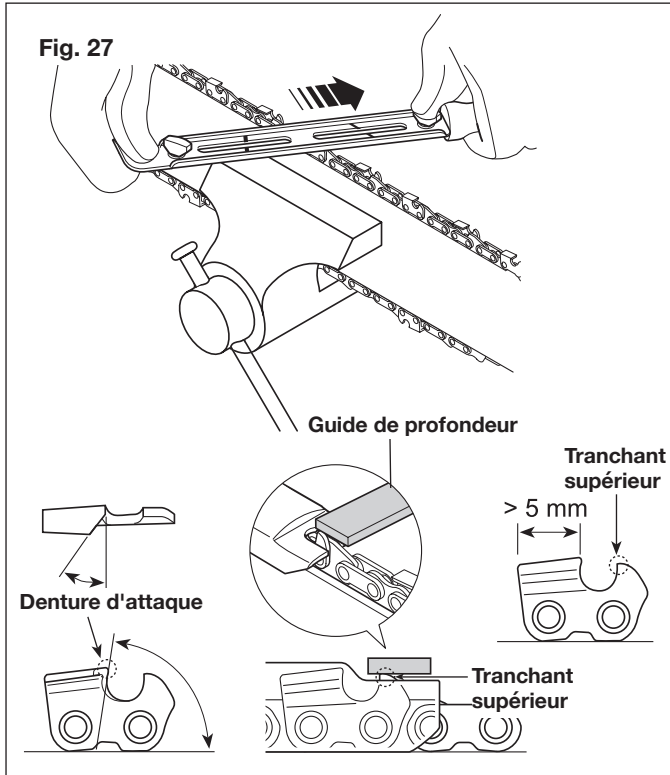
- la sciure a l'apparence de poussière;
- il devient de plus en plus difficile de scier;
- la coupe n'est pas franche;
- les vibrations augmentent.

Le centre d'entretien et de réparation agréé affûtera la chaîne en utilisant les bons outils pour que le minimum de composants soit déposé et que tous les tranchants soient affûtés uniformément.

Si vous affûtez vous-même la chaîne, utilisez des limes spéciales à section ronde ayant le diamètre correspondant au type de chaîne (voir « Tableau d'entretien de chaîne », page 18). Vous devez avoir des compétences et une expérience suffisantes pour éviter d'endommager les tranchants.

Affûtez la chaîne comme suit (Fig. 27) :

- Attachez solidement le guide-chaîne dans un étau adapté, la chaîne étant montée dessus.
- Tendez la chaîne si elle est lâche.
- Montez la lime dans le guide et insérez-la ensuite dans la gouge en formant un angle constant avec le tranchant.
- Limez en effectuant plusieurs fois un mouvement vers l'avant et répétez l'opération sur tous les tranchants faisant face dans la même direction (droite ou gauche).
- Utilisez un tournevis pour faire avancer la chaîne.
- Retournez le guide-chaîne dans l'étau et répétez l'opération pour tous les autres tranchants.
- Vérifiez que le tranchant supérieur ne ressort pas davantage par rapport au niveau du guide de profondeur et limez tout ce qui dépasse à l'aide d'une lime plate en affûtant le tranchant (Fig. 27).
- Après l'affutage, éliminez toutes les traces de limage et de poussière, puis plongez la chaîne dans un bain d'huile pour la lubrifier. Remplacez la chaîne toutes les fois que :
 - la longueur des tranchants se réduit à 5 mm ou moins;
 - il y a trop de jeu entre les maillons et les rivets.



Entretien du guide-chaîne

Quand le guide-chaîne présente des signes d'usure, retournez-le sur la scie pour répartir l'usure et prolonger sa durée de vie. L'amincissement ou la formation de bavures sur les rails du guide-chaîne est une usure normale. Vous devez limer ce type de défauts dès leur apparition.

Remplacez le guide-chaîne quand il présente les défauts suivants :

- usure intérieure des rails du guide-chaîne laissant la chaîne se déporter sur les côtés;
- guide-chaîne voilé;
- rails fissurés ou cassés;
- rails écartés.

Retournez la scie, vérifiez le dessous du guide-chaîne et assurez-vous que les trous de lubrification et la rainure de chaîne sont exempts de toute impureté.

Vous pouvez acheter des pièces de rechange pour votre scie à chaîne électrique à manche télescopique Sun Joe® SWJ803E en passant votre commande en ligne sur le site sunjoe.com, ou par téléphone en appelant le service clientèle Snow Joe® + Sun Joe® au 1-866-SNOWJOE (1-866-766-9563).

Pignon d'entraînement

Vérifiez régulièrement l'état du pignon et remplacez-le quand il est usé sur plus de 0,5 mm (Fig. 28).

Ne montez pas une chaîne neuve quand le pignon est usé ou vice-versa.

Dépannage

Conseils de dépannage

La plupart des problèmes de réglent facilement. Consultez le tableau de dépannage pour les problèmes communs et leurs solutions. Si les problèmes persistent ou si des réparations sont nécessaires au-delà de simples réglages, veuillez appeler le 1-866-SNOWJOE (1-866-766-9563) pour de l'aide.

⚠ AVERTISSEMENT! Toujours débrancher le cordon d'alimentation avant d'effectuer un réglage quelconque, de l'entretien ou des réparations sur votre scie à chaîne à manche télescopique.

Tableau de dépannage

Problèmes	Mesure corrective
Le moteur de la scie ne réussit pas à démarrer	<ul style="list-style-type: none"> • Vérifiez que vous avez correctement branché la rallonge électrique dans la prise du cordon d'alimentation de la scie à manche télescopique et que vous avez branché la rallonge électrique dans une prise 120 V sous tension. • Avant de presser sur la gâchette marche/arrêt, assurez-vous d'appuyer à fond sur le bouton-poussoir de sécurité en le maintenant enfoncé.
La scie tourne, mais la vitesse de la chaîne est lente	<ul style="list-style-type: none"> • La chaîne est trop serrée; réglez la tension.
Guide-chaîne et chaîne chauds et fumant	<ul style="list-style-type: none"> • La tension de la chaîne est trop forte; réglez la tension. • Le réservoir d'huile de la chaîne est vide; remplissez-le. • Les trous de lubrification sont bouchés; nettoyez-les.
Le moteur de la scie tourne, mais la chaîne ne tourne pas	<ul style="list-style-type: none"> • La tension de la chaîne est trop forte; réglez la tension. • Le guide-chaîne ou la chaîne sont endommagés; inspectez et remplacez les pièces endommagées.

Liste de contrôle quotidienne, nettoyage et remisage

Liste de contrôle quotidienne

Pour maintenir le rendement optimal de votre scie à chaîne électrique à manche télescopique, nous vous recommandons de pointer cette liste de contrôle avant chaque utilisation de l'outil.

⚠ AVERTISSEMENT! Ne pas brancher le cordon d'alimentation tant que toutes les vérifications quotidiennes n'ont pas été effectuées.

- Inspectez la chaîne, le guide-chaîne et le caisson moteur pour vérifier qu'ils ne présentent pas de dommages visibles.
- Inspectez l'orifice de remplissage d'huile et les rails du guide-chaîne et nettoyez-les pour retirer tous les débris.
- Vérifiez la tension de la chaîne.
- Vérifiez l'affutage des dents de la chaîne.
- Vérifiez le niveau d'huile pour guide-chaîne et chaîne; faites le niveau en utilisant uniquement une huile fraîche spécifiquement formulée pour les scies à chaîne.

REMARQUE : si vous notez quoi que ce soit d'inhabituel, par exemple une vibration ou un son étrange, arrêtez immédiatement la scie. Débranchez le cordon d'alimentation et vérifiez si la scie n'est pas endommagée.

Si vous ne pouvez pas trouver la cause du problème ou si vous ne savez pas quoi faire, faites inspecter la scie par un revendeur Snow Joe® + Sun Joe® agréé ou appelez le service clientèle Snow Joe® + Sun Joe® au 1-866-SNOWJOE (1-866-766-9563) avant de l'utiliser.

⚠ MISE EN GARDE!

- Débrancher le cordon d'alimentation et attendre au moins cinq minutes pour que la scie se refroidisse avant d'intervenir dessus ou de la remiser.
- Si vous faites tomber la scie, vérifiez soigneusement qu'elle n'est pas endommagée. Si le guide-chaîne est voilé, si le caisson est fissuré, si la poignée est cassée, ou si vous constatez quoi que ce soit pouvant affecter le fonctionnement de la scie, **NE PAS UTILISER** l'outil. Le faire plutôt réparer par un revendeur Snow Joe® + Sun Joe® agréé ou appeler le service clientèle Snow Joe® + Sun Joe® au 1-866-SNOWJOE (1-866-766-9563).

Nettoyage

Utilisez uniquement un savon doux et un chiffon humide pour nettoyer la scie à chaîne à manche télescopique. Ne laissez jamais de liquide à l'intérieur du caisson moteur et ne plongez **JAMAIS** une partie quelconque du caisson de la scie dans un liquide.

Remisage

- Avant de remiser l'outil, assurez-vous que la coiffe du guide-chaîne est en place.
- Ne rangez pas la scie à chaîne à manche télescopique près de produits chimiques, par exemple des engrais ou d'autres solvants corrosifs. N'exposez pas les pièces en plastique de l'outil à des liquides pour freins, de l'essence, des produits à base de pétrole, des huiles dégriffantes ou tout ce qui y ressemble. Ces produits sont souvent extrêmement corrosifs et peuvent endommager, affaiblir ou détruire de façon permanente les pièces en plastique de votre scie à chaîne à manche télescopique.
- Quand vous ne l'utilisez pas, votre scie à chaîne électrique à manche télescopique doit être remise à l'intérieur dans un endroit sec, surélevé et sous clé, hors de portée des enfants.

Assistance

Si votre scie à chaîne électrique à manche télescopique Sun Joe® SWJ803E nécessite une intervention technique ou un entretien, veuillez appeler le 1-866-SNOWJOE (1-866-766-9563) pour de l'aide.

Numéros de modèle et de série

Lorsque vous communiquez avec l'entreprise pour commander des pièces ou prendre rendez-vous pour une intervention technique chez un revendeur agréé, vous devez fournir les numéros de modèle et de série qui se trouvent sur l'étiquette autocollante apposée sur le caisson de l'outil. Copiez ces numéros dans l'espace réservé ci-dessous.

Veillez noter les numéros suivants sur le caisson ou la poignée de votre nouvel outil :

N° de modèle :


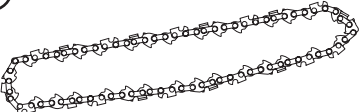

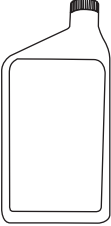
S | W | J | 8 | 0 | 3 | E | | | | | | | | | | | | | | | |

N° de série :

| | | | | | | | | | | | | | | | | | | | |

Accessoires facultatifs

⚠️ AVERTISSEMENT! TOUJOURS utiliser des pièces de rechange et des accessoires Snow Joe® + Sun Joe® homologués. NE JAMAIS utiliser des pièces de rechange ou des accessoires qui ne sont pas destinés à être utilisés avec cette scie. Communiquez avec Snow Joe® + Sun Joe® si vous n'êtes pas sûr que l'utilisation d'une pièce de rechange ou d'un accessoire particulier avec votre machine soit sans danger. L'utilisation de tout autre accessoire ou de toute autre pièce détachée peut être dangereuse et pourrait provoquer des dommages corporels ou mécaniques.

Accessoires	Description	Modèle
<p>①</p> 	Guide-chaîne de rechange 25,4 cm Sun Joe®	SWJ-10BAR
<p>②</p> 	Chaîne de rechange 25,4 cm Sun Joe®	SWJ-10CHAIN
<p>③</p> 	Clé Allen/tournevis à lame plate	SWJ802E-TOOL
<p>④</p> 	Huile pour guide-chaîne et chaîne	SWJ-OIL, en vente sur le site sunjoe.com ; vous pouvez également acheter une huile de même qualité pour guide-chaîne et chaîne dans votre quincaillerie locale.

REMARQUE : les accessoires sont sous réserve de changements sans que Snow Joe® + Sun Joe® soit pour autant tenue de donner un préavis desdits changements. Les accessoires peuvent être commandés en ligne sur le site sunjoe.com ou par téléphone en appelant le service clientèle Snow Joe® + Sun Joe® au 1-866-SNOWJOE (1-866-766-9563).

Tableau d'entretien de chaîne

Maillons d'entraînement	Pas de chaîne		Jauge de chaîne		Diamètre de lime	
	pouces	mm	pouces	mm	pouces	mm
40	3/8	9,5	0,050	1,3	5/32	4,0



LA PROMESSE DE SNOW JOE® + SUN JOE® À SES CLIENTS

Vous êtes notre client et Snow Joe, LLC (« Snow Joe ») **SE MET EN QUATRE** pour vous servir. Nous nous efforçons de vous rendre l'utilisation de nos produits aussi plaisante que possible. Malheureusement, il peut arriver qu'un produit Snow Joe®, Sun Joe® ou Aqua Joe (« Produit ») ne fonctionne pas ou se casse dans des conditions d'utilisation normales. Nous pensons qu'il est important que vous sachiez ce que vous pouvez attendre de nous. C'est pourquoi nous avons une garantie limitée (« Garantie ») pour nos Produits.

NOTRE GARANTIE :

Snow Joe déclare et garantit que les Produits neufs, d'origine, électriques ou non électriques sont exempts de vices de matière ou de fabrication et, lorsqu'ils font l'objet d'une utilisation résidentielle et ménagère ordinaire, les garantit pendant une période de deux ans à compter de la date d'achat au détail par l'acheteur primitif auprès de Snow Joe ou d'un des revendeurs agréés de Snow Joe, preuve d'achat à l'appui. Étant donné que Snow Joe ne peut pas contrôler la qualité de ses Produits vendus par des revendeurs non agréés, sauf stipulation contraire de la loi, la présente Garantie ne couvre pas les Produits achetés auprès de vendeurs non agréés. Si votre Produit ne fonctionne pas ou si une pièce spécifique couverte par les modalités de la présente Garantie fait l'objet d'un problème quelconque, Snow Joe choisira (1) de vous envoyer une pièce de rechange gratuite, (2) de remplacer le Produit par un produit neuf ou comparable, gratuitement, ou (3) de réparer le Produit. Génial, n'est-ce pas?

La présente Garantie vous donne des droits judiciaires spécifiques, et vous pouvez également avoir d'autres droits qui peuvent varier d'une province ou d'un territoire à l'autre.

ENREGISTREMENT DU PRODUIT :

Snow Joe vous recommande vivement d'enregistrer votre Produit. Vous pouvez l'enregistrer en ligne sur le site snowjoe.com/register, ou en imprimant et en envoyant par courrier une carte d'enregistrement offerte en ligne sur notre site Web, ou par téléphone en appelant notre Service à la clientèle au **1-866-SNOWJOE (1-866-766-9563)**, ou encore en nous envoyant un courriel à l'adresse help@snowjoe.com. Le fait de ne pas enregistrer l'achat de votre Produit n'a aucune conséquence sur vos droits concernant la garantie. Toutefois, l'enregistrement de votre Produit permettra à Snow Joe de mieux répondre au moindre besoin que vous pourriez avoir en matière de service à la clientèle.

QUI PEUT REVENDIQUER LA COUVERTURE DE LA GARANTIE?

La présente Garantie est étendue par Snow Joe à l'acheteur et propriétaire primitif du Produit.

QU'EST-CE QUI N'EST PAS COUVERT?

La présente Garantie ne s'applique pas si le Produit a été utilisé commercialement, pour des travaux non résidentiels ou s'il fait l'objet d'une location. La présente Garantie ne s'applique pas non plus si le Produit a été acheté auprès d'un revendeur non agréé. La présente garantie ne couvre pas non plus les changements cosmétiques qui n'affectent pas le rendement. Les pièces d'usure comme les courroies, les tarières, les chaînes et les dents ne sont pas couvertes au titre de la présente Garantie et peuvent être achetées en ligne sur le site snowjoe.com ou en appelant le **1-866-SNOWJOE (1-866-766-9563)**.



sunjoe.com