



SKU: 1273579


71"x30" Wooden Planter with Liner


(70.8in L x 36.49in H x 30.31in W x 15.8in D)



**Distributed by:
TRACTOR SUPPLY COMPANY
5401 VIRGINIA WAY,
BRENTWOOD, TN 37027
For customer support, call: 1-888-376-9601
www.TractorSupply.com
MADE IN CHINA**

SAFETY INFORMATION:

 CAUTION: Please keep children out of assembly area during assembly.

 CAUTION: Do not stand on the planter. Do not sit on the planter.

BEFORE YOU BEGIN:

Read instruction prior to assembly. This product contains parts that can be damaged if incorrectly assembled. Please follow instructions. For steps where parts are placed upside down, place parts on a smooth surface to avoid scratching finish. Flatten cardboard from carton to create a smooth work surface.

PRE-ASSEMBLY:

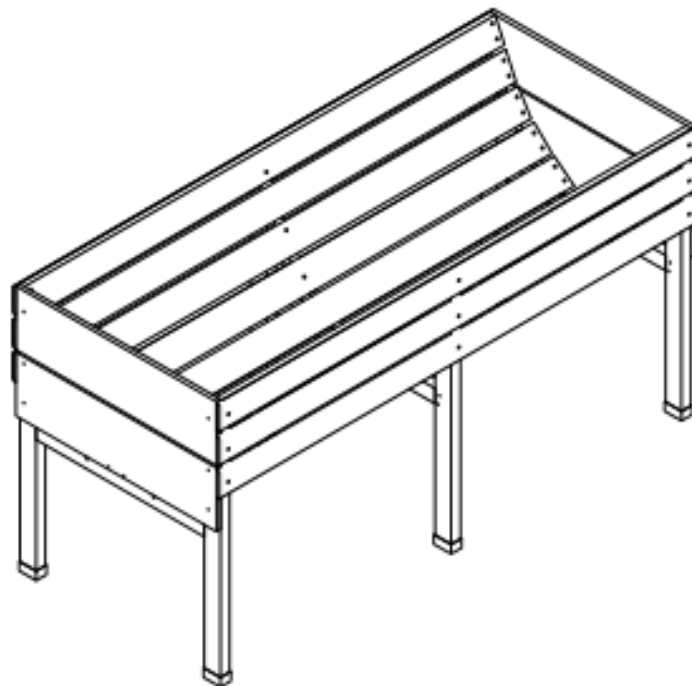
TOOLS REQUIRED (not included):

- *Screw Gun with Phillips Head Bit*
- *Adjustable Wrench*
- *Hammer*

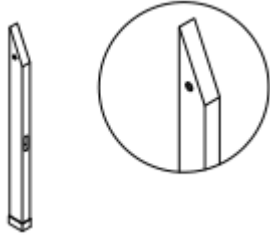
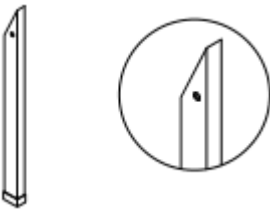







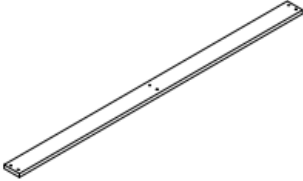
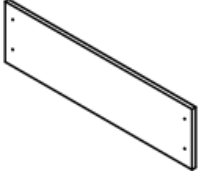
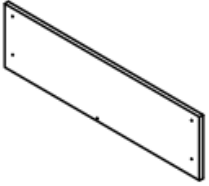
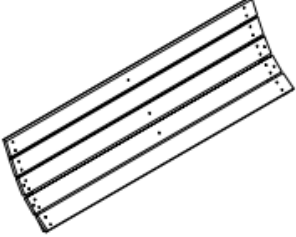
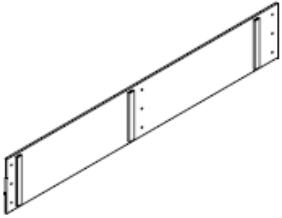
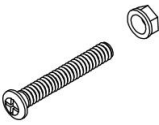
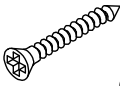
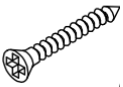
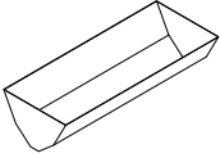
Assistance may be required during assembly.

PRODUCT OVERALL VIEW



PARTS LIST

Part	Image	Description	Quantity
1		End Post	2pcs
2		End Post	2pcs
3		Middle Post	1pc
4		Middle Post	1pc
5		Middle Connector	1pc
6		End Connector	2pcs
7		Support	2pcs

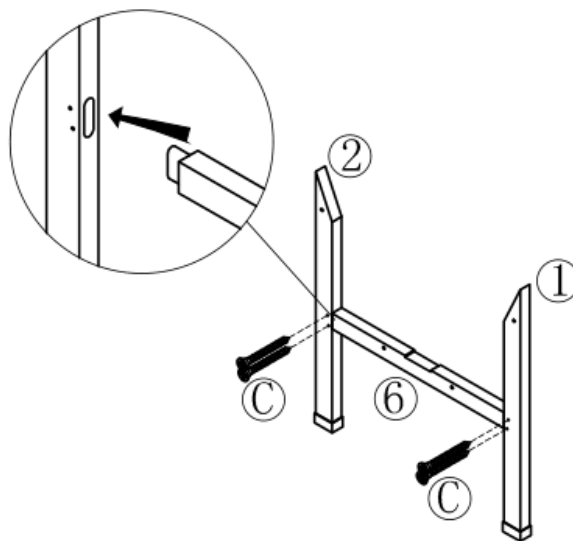
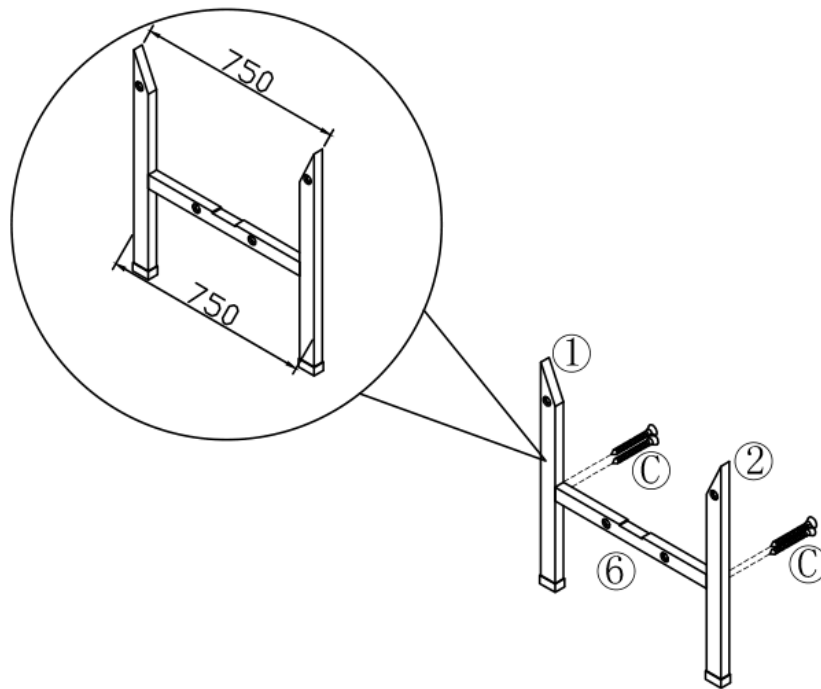
8		Floor Panel	1pc
9		Upper End Panel	2pcs
10		Lower End Panel	2pcs
11		Walls	2pcs
12		Trim Panel	2pcs
A		Bolt 75mm	8pcs
B		Screw 35mm	34+1pcs
C		Screw 25mm	30+1pcs
D		Liner	1pc

ASSEMBLY INSTRUCTION

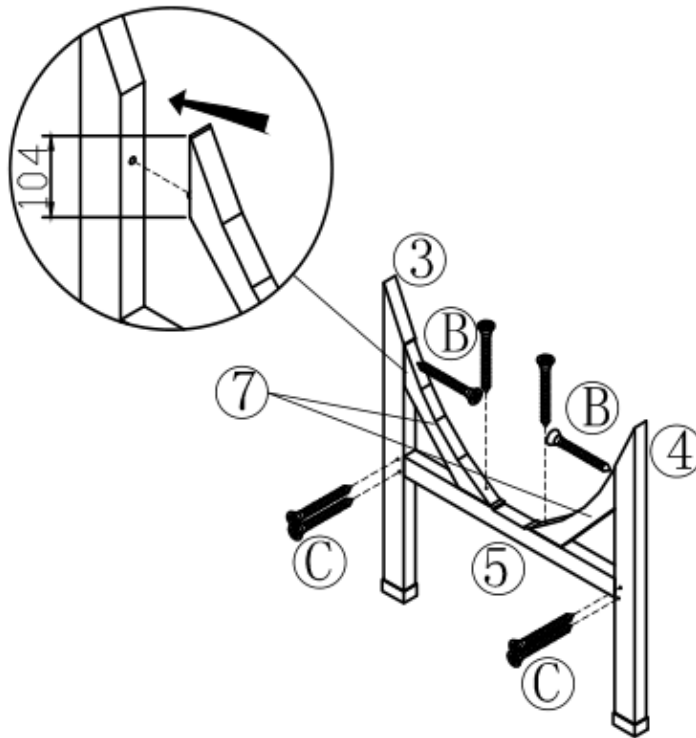
Use the parts list to identify and organize each parts.

Step 1: Attach the End Post (1) and the End Post (2) to the End Connector(6) with screws(C)*4pcs as shown .

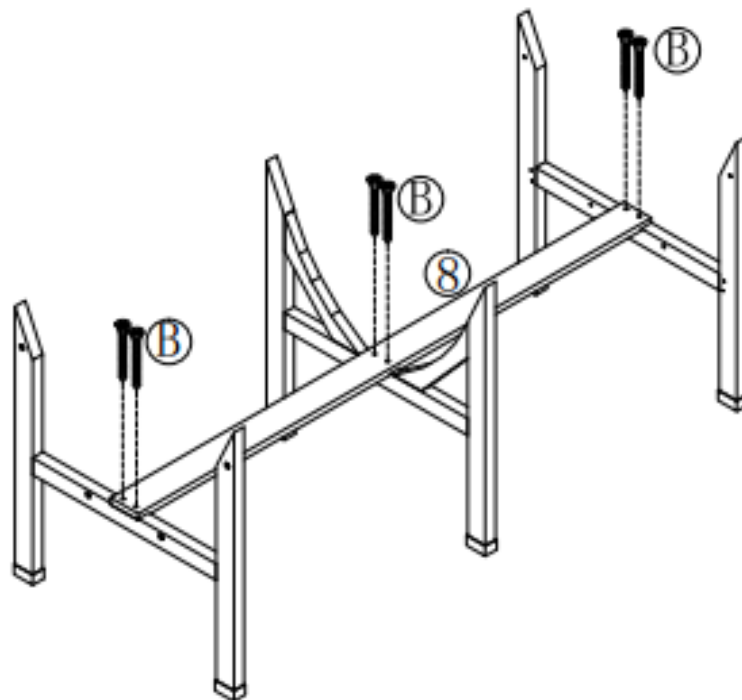
Repeat this step to create 2 sets of posts.



Step 2: Assemble the supports (7) to the middle connector (5). Then assemble the middle post (3 and 4). Attach everything with screws (C) * 4pcs and screws (B) * 4pcs as shown.

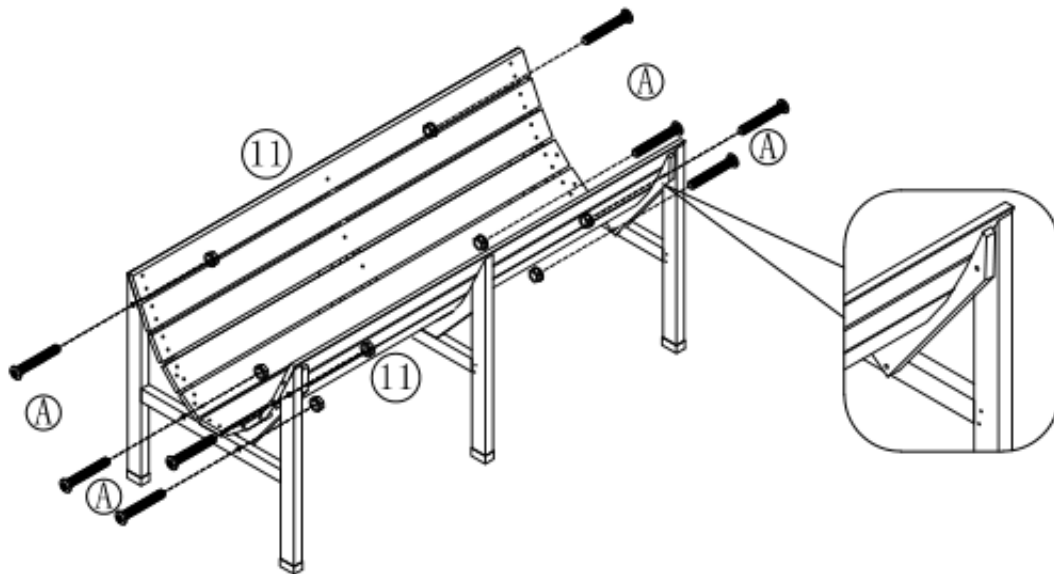


Step 3: Place the Floor Panel (8) as shown, and attach the Floor Panel to the middle connector with screws (B)*6pcs.



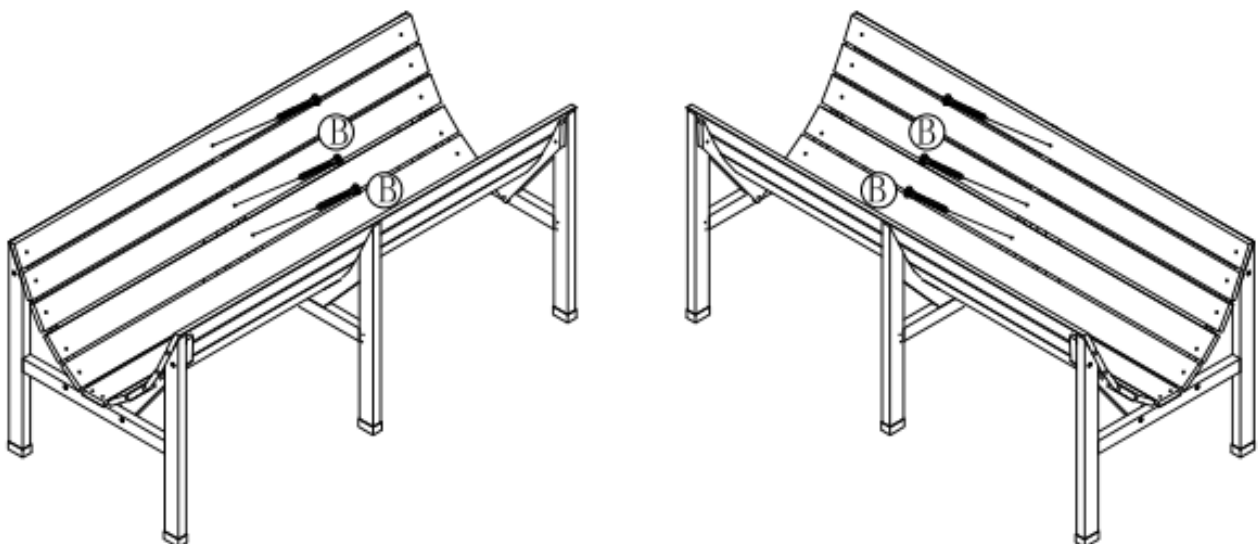
Step 4: Attach the Walls (11) to the posts with Bolt (A)*8pcs.

Note: ensure the ends of the wall are flush with the side of the posts.

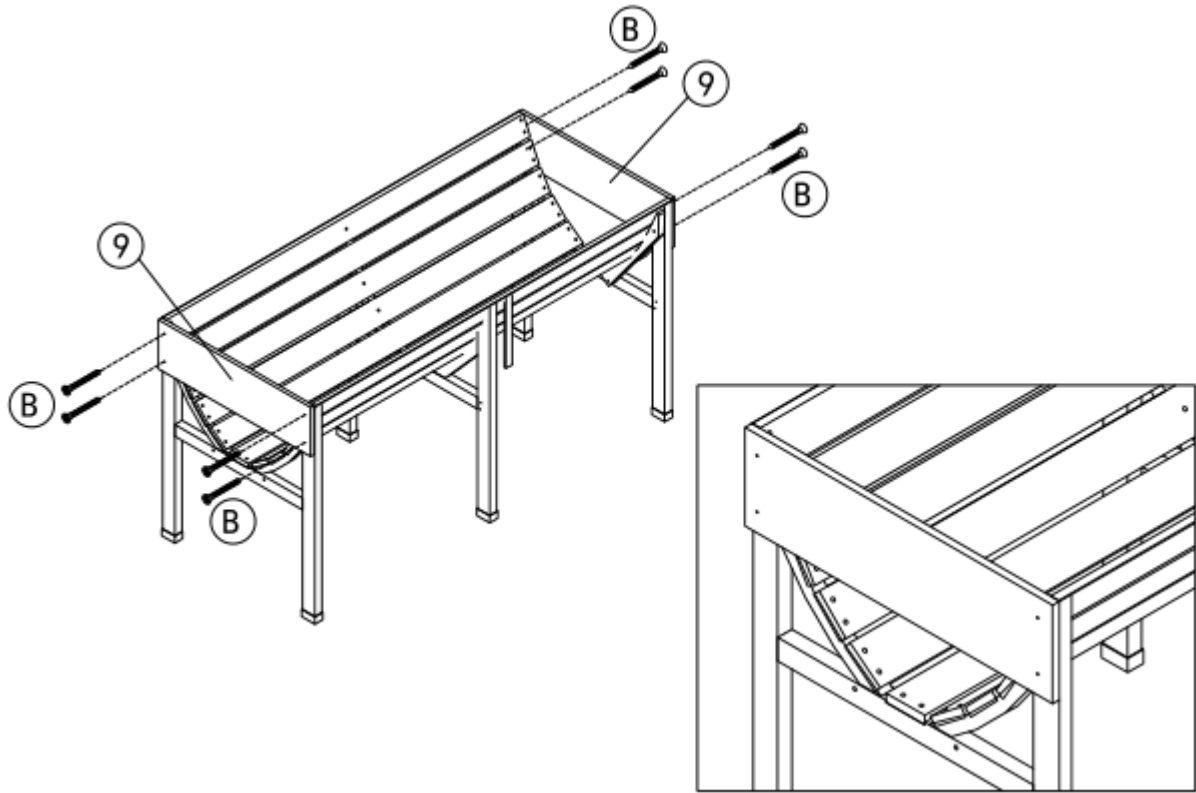


Note: insert all bolts before tightening any, some adjustments may be needed to ensure proper alignment.

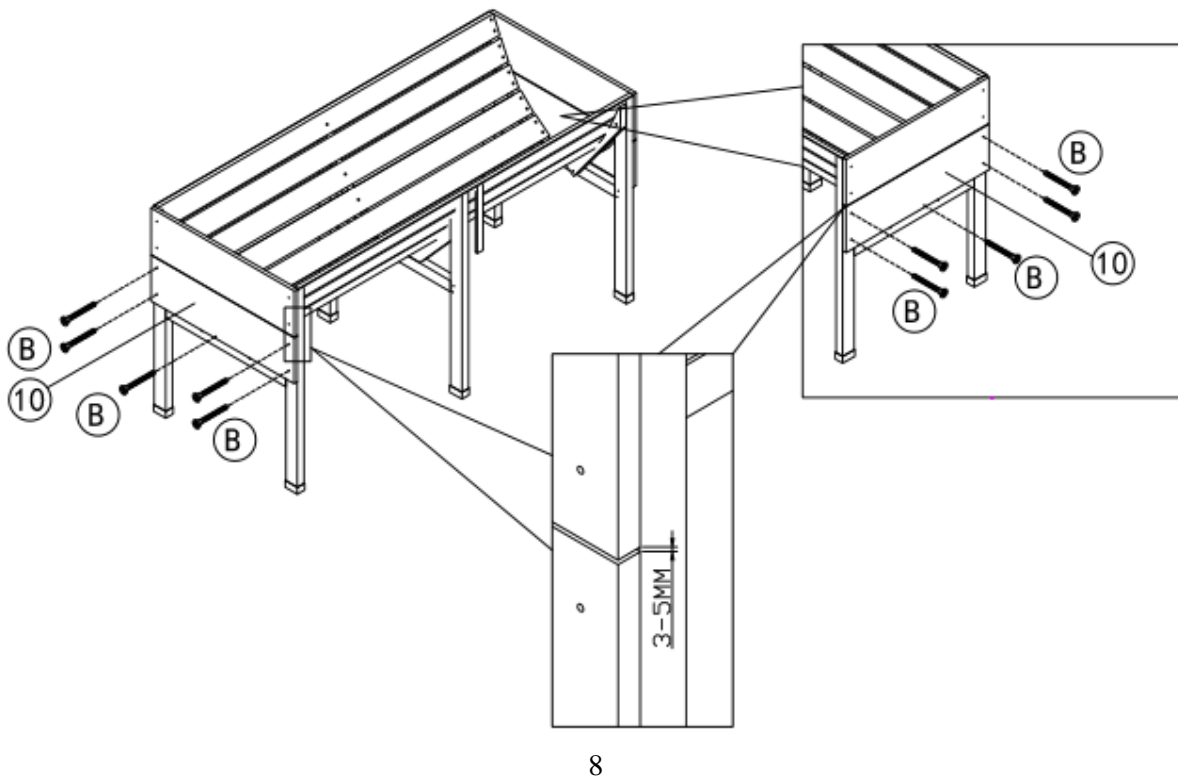
Step5: Secure the walls with screws (B) * 6pcs.



Step 6: Attach the Upper End Panel (9) as shown with screws (B)*8pcs.

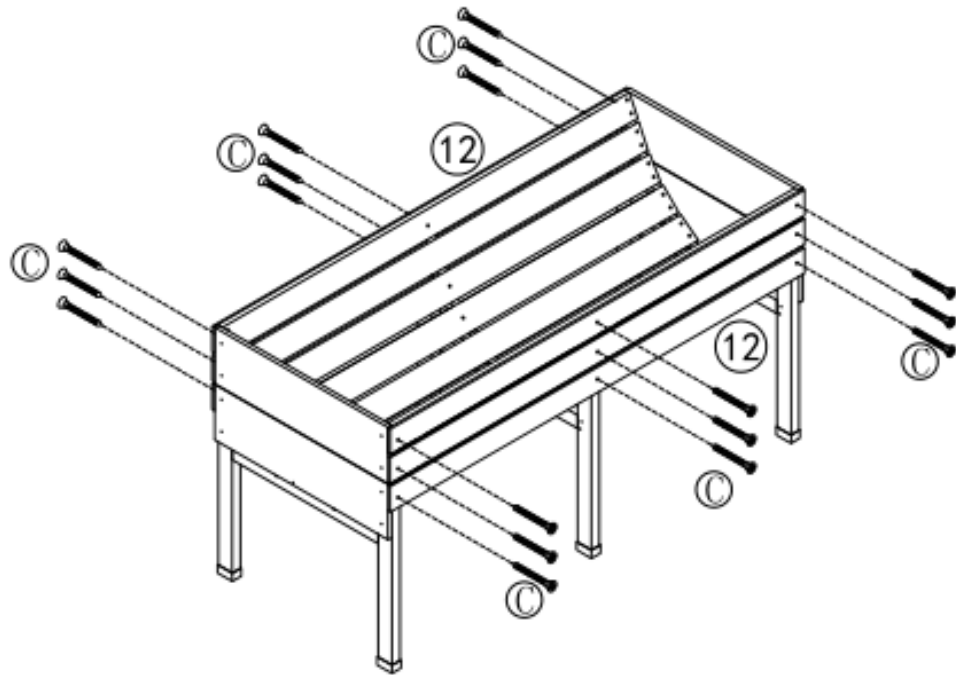


Step 7: Attach the Lower End Panel (10) as shown with screws (B)*10pcs.



Step 8: Attach the Trim Panel (12) to the posts using screws (C)*18pcs.

Note: Ensure the trim panel is flush with the End Panel.



Step 9: Place the liner (D) into the planter.

