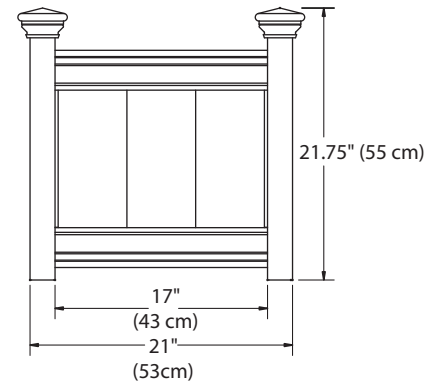
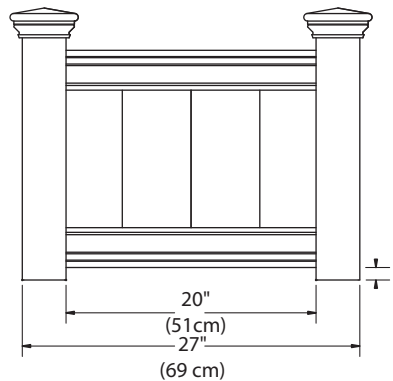
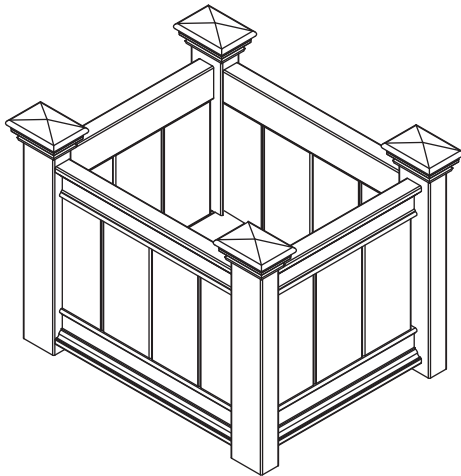


ASSEMBLY INSTRUCTIONS

The Barcelona Planter Box



Please read through before starting assembly.

Check Box for These Contents

In the event of missing or defective parts please call our customer service dept. at **1 800 282 9346** (Mon. to Fri. 8:00 AM to 5:00 PM EST).

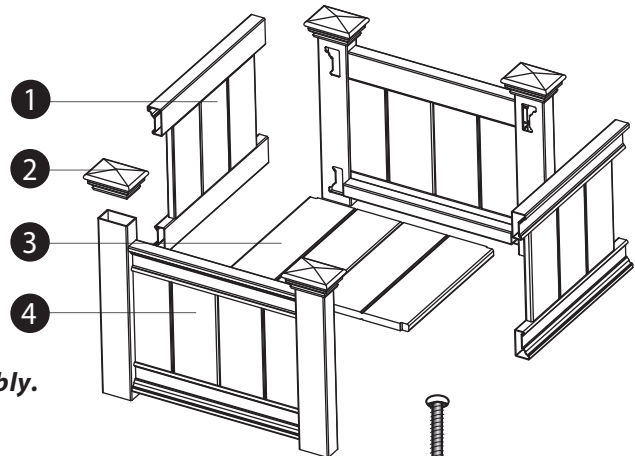
1. Pre-Assembled Side Wall Panels (2) - 10610
2. Post Caps (4) - 10611
3. Floor Panels (2) - 10612
4. Pre-Assembled Front/Back Wall Panels with Posts (2) - 10613
5. 1 1/2" (38mm) Self-Auguring Stainless Steel Screws (16) - 20005

Tools You Will Need

- Cordless Drill
- Hammer

General Information

- **Read Instructions through carefully before beginning assembly.**
- When assembling components, place on a non-abrasive surface (i.e. shipping box) to avoid scratching.
- We recommend an area approx 4'x 8' (1.2 m x 2.4 m) for unobstructed assembling.
- You should not need to use excessive force when assembling components.



5

Not to Scale

STEP ONE

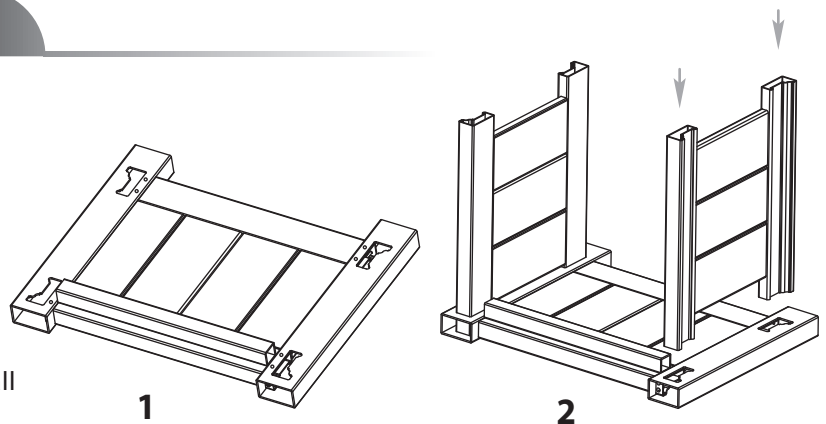
Connect the Front & Back Wall to the Side Wall Panels

1

Layout front wall panel on the work surface.

2

Insert the side walls into the routed holes on the front wall panel posts.



The Barcelona Planter Box

3

Fit the opposite back wall panel over the side walls.

4

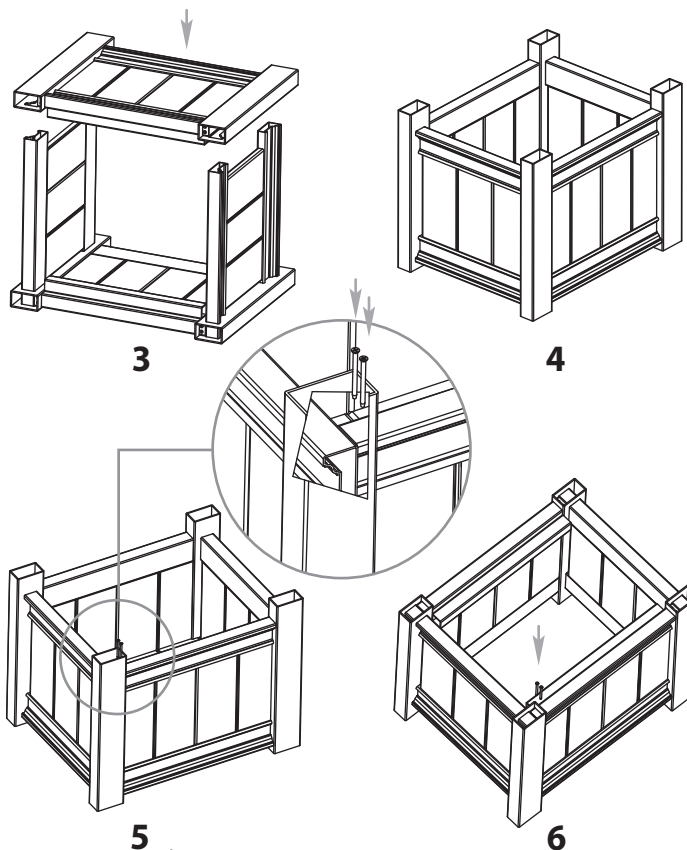
Reposition the assembled planter box so it stands upright on the work surface. Ensure at this point the planter walls are square to each other. This can be accomplished by making sure that the corner to opposite corner measurement both ways are equal.

5

Using the screws provided, secure the side wall panels into the front and back wall panels with 2 screws at the ends of the rails. Ensure that panels are fully flush inside the posts and the wall panels are square to each other. Screws should only be drilled in half of the length so that panels do not pull out of the posts when under stress.

6

Invert the planter box and repeat this same process at the opposite end of each of the four post.



STEP TWO

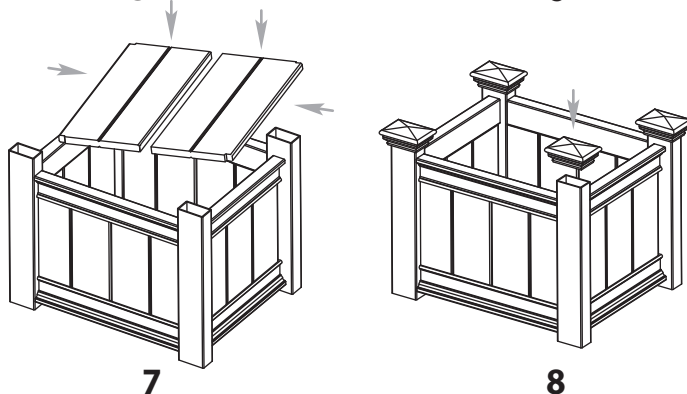
Insert Floor Panels & Post Caps

7

Pressure fit into place the floor panels.

8

Install the four post caps.



Optional

**To Attach the Luxembourg Privacy Screen to this Planter Box
(Purchase Separately).**

A

Remove two post caps.

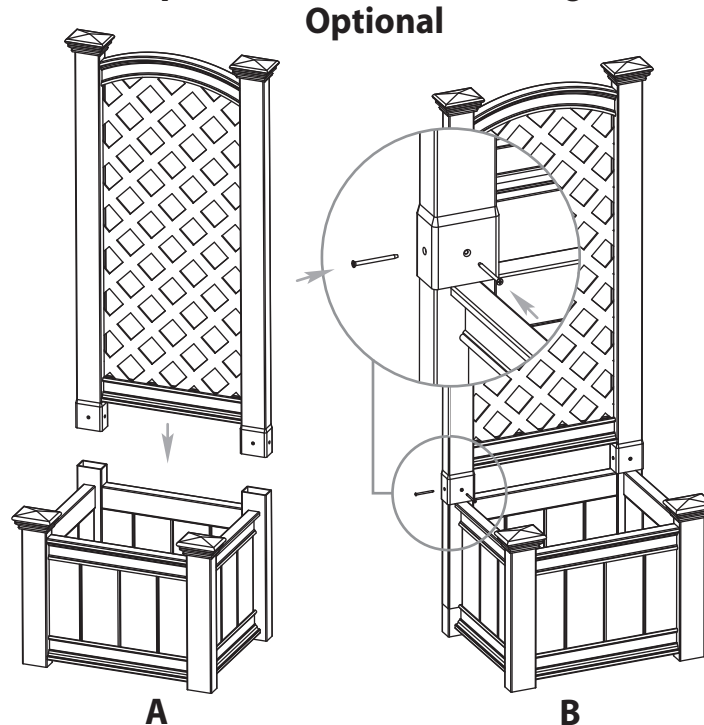
B

Attach trellis or privacy screen by over-sleeving the bulbed out bottom end of the posts over the protruding posts of the planter box until they both bottom out inside each other.

C

Install screws in the four pre-drilled holes at the bottom of each post.

Discard the two post caps from planter box and ground mounting extensions that come with trellis.



vita