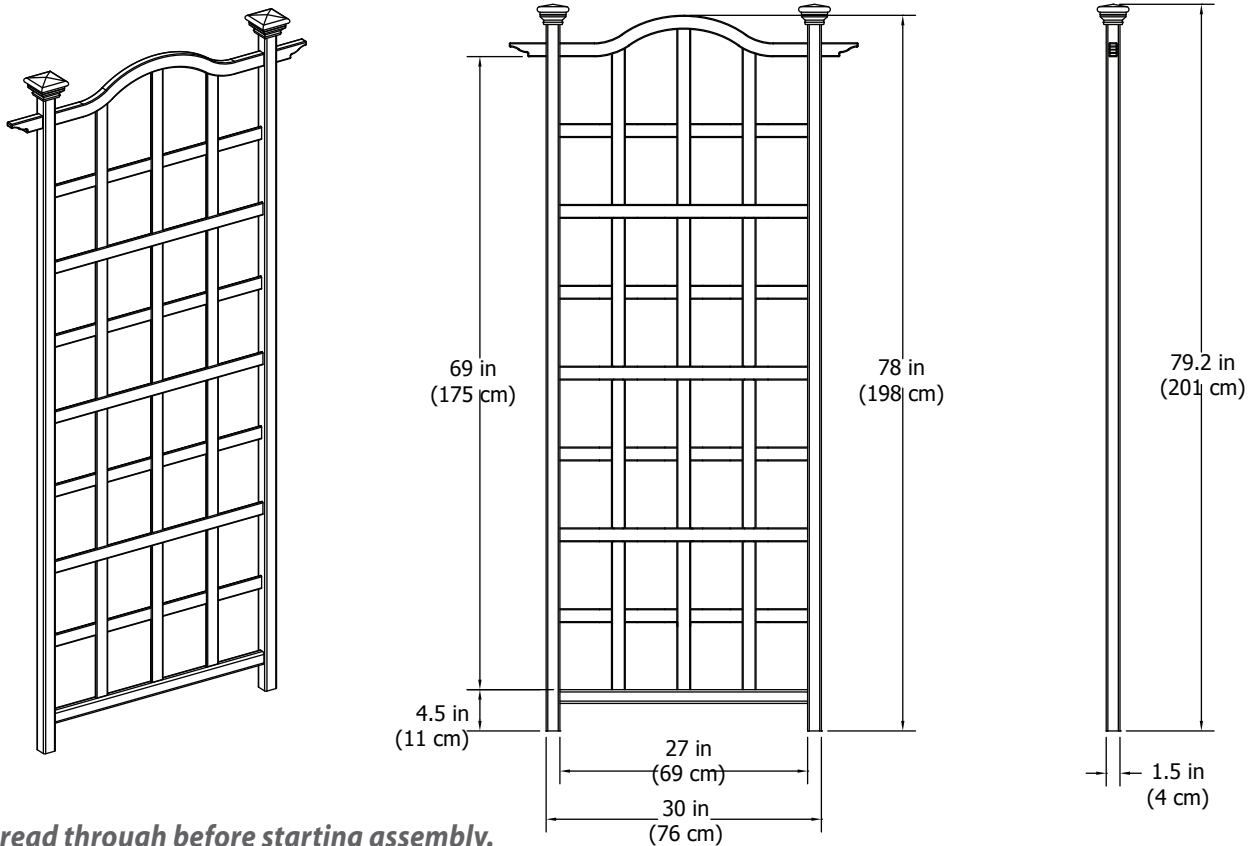


ASSEMBLY INSTRUCTIONS

The London Trellis



Please read through before starting assembly.

IMPORTANT: CHECK THE INSIDE OF YOUR POSTS FOR ALL MATERIALS.

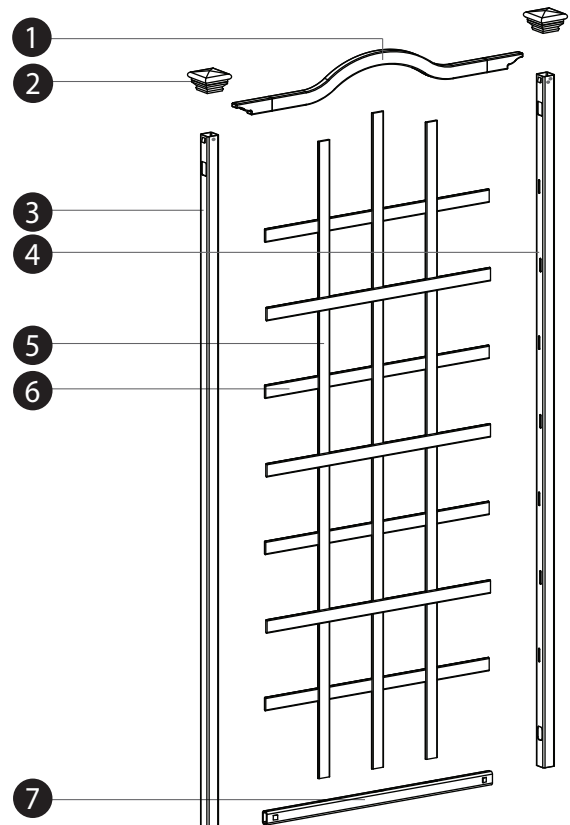
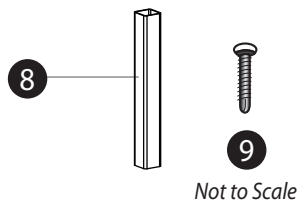
Check Box for These Contents

In the event of missing or defective parts please call our customer service dept. at **1 800 282 9346** (Mon. to Fri. 8:00 AM to 5:00 PM EST).

1. Arched Top Rail (1) - 10857
2. Post Caps (2) - 10748-1
3. Post - Left (1) - 10858
4. Post - Right (1) - 10859
5. Vertical Spindles (3) - 10860
6. Horizontal Spindles (7) - 10861
7. Bottom Rail (1) - 10862
8. Ground Mounting Extensions (2) - 10863
9. 5/8" (16 mm) Self-Auguring Stainless Steel Screw (12) - 20016

Tools You Will Need

- Cordless Drill
- Hammer
- Tape Measure
- Level
- Shovel



General Information

- Read Instructions through carefully before beginning assembly.
- When assembling components, place on a non-abrasive surface (i.e. shipping box) to avoid scratching.
- We recommend an area approx 5'x 8' (1.5 m x 2.4 m) for unobstructed assembling.
- You should not need to use excessive force when assembling component.

STEP ONE

NOTE: There are locking tabs located at the ends of the horizontal rails. Once inserted and pushed into the routed holes, they will lock into place.

1

Lay one of the posts on the ground and insert the bottom rail and the three vertical spindles as shown aside. Note that the longer spindle should be in the middle of the three.

2

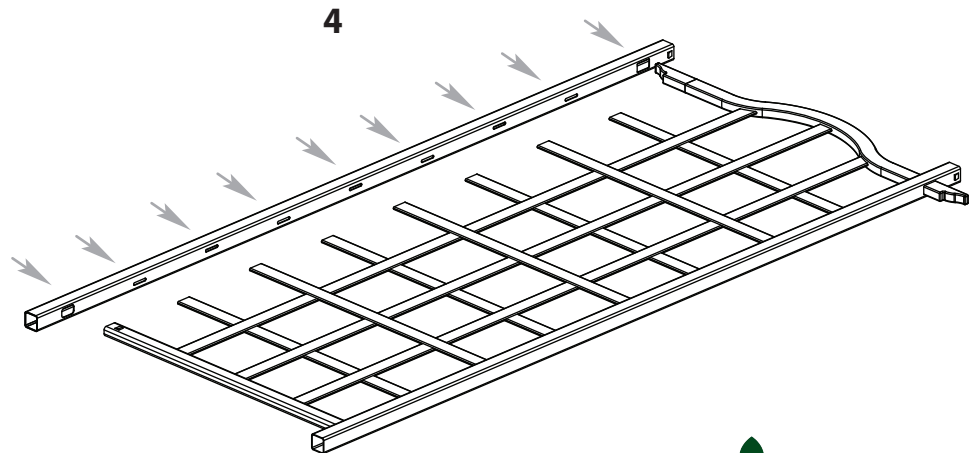
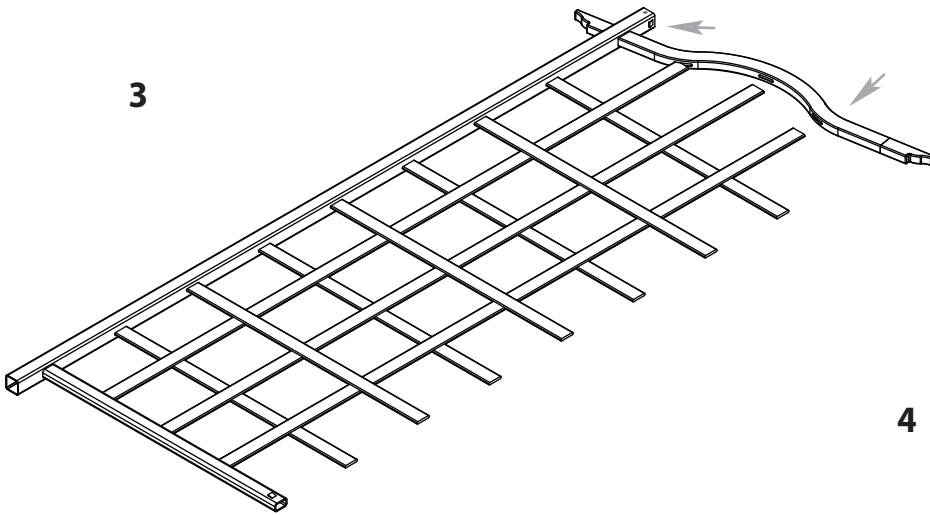
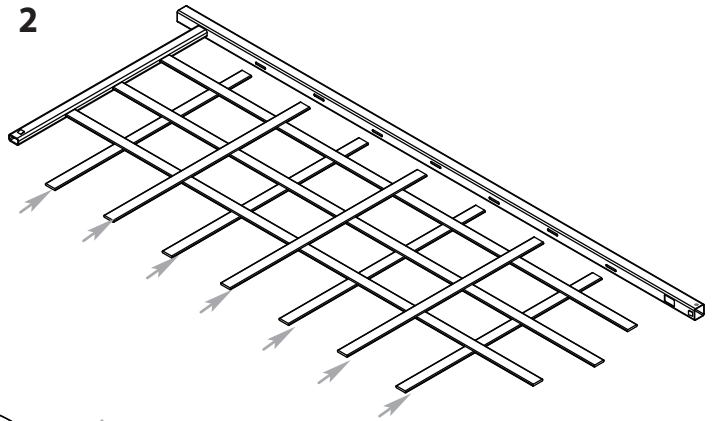
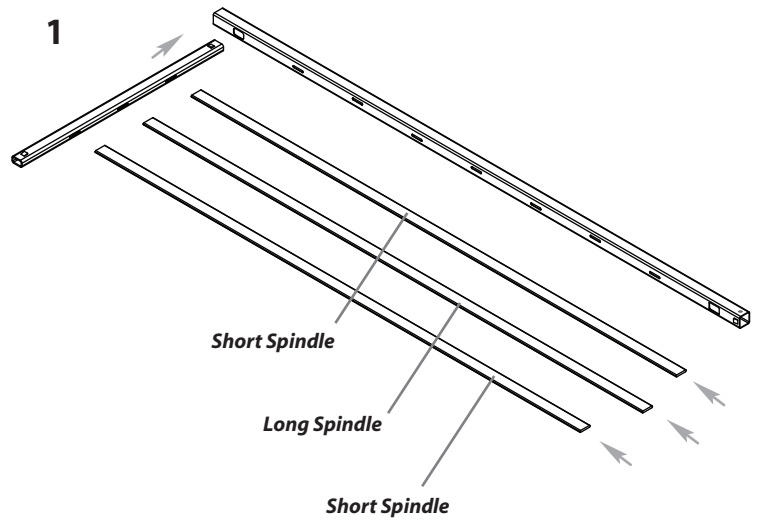
Insert the seven horizontal spindles as shown aside.

3

Continue assembly by inserting the top arched rail end into the post and progressively into each of the vertical spindles.

4

Proceed to attach the second post to the trellis assembly as shown below.

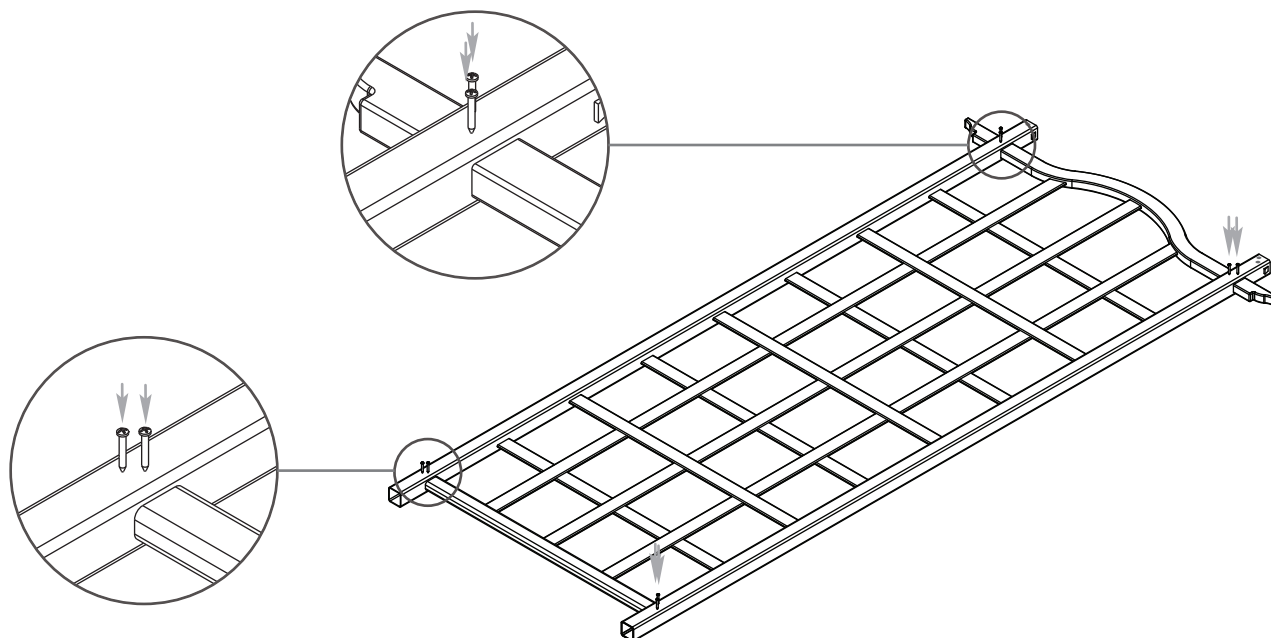


vita

STEP TWO

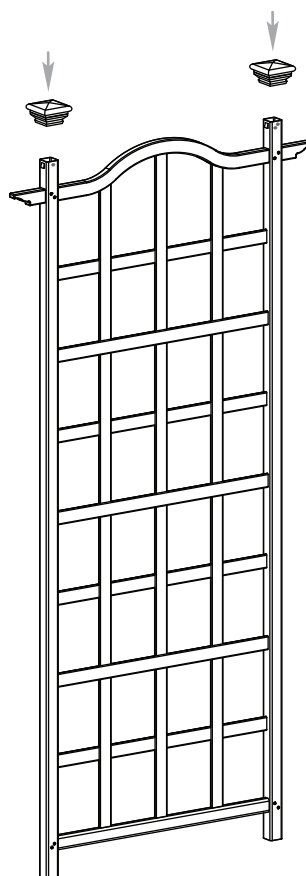
Install Screws

Secure the trellis with 8 of the provided screws at the locations shown below. Ensure the trellis posts and rails are square to each other.



Install Post Caps

Push the post caps to the posts as illustrated.



Mounting Into the Ground

Trellises must be well secured in the event of high winds, etc. We have provided two ground mounting extensions for securing the trellis either into the ground or into a concrete footing. If you are installing your trellis directly to the wall of your home, or on a wood deck or concrete surface, please see your hardware store for the appropriate galvanized bracket hardware.

STEP THREE

Install the Ground Mounting Extensions

Insert the ground mounting extensions into the bottom of the trellis posts. Secure with screws as shown aside.

STEP FOUR

Install Trellis into Ground

A

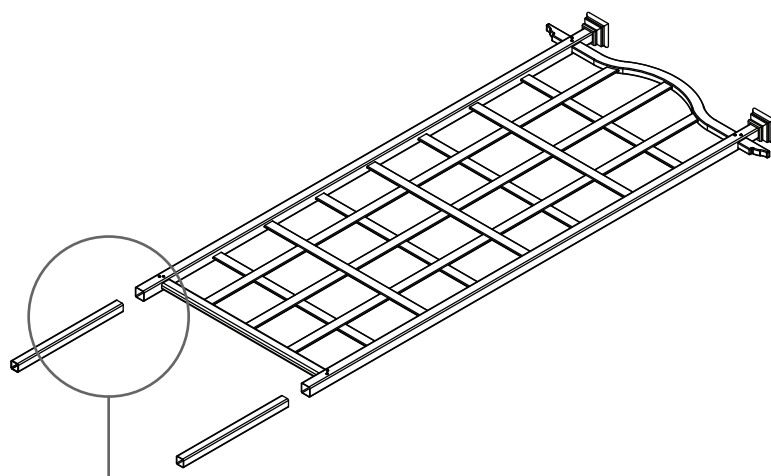
Move the trellis to its final location. When you are satisfied with the location, mark the positions of the posts, then move the trellis aside and lay it carefully on it's side. Excavate the 2 post holes approximately 15" (38 cm) deep x 6" (15 cm) diameter. Carefully move the trellis back into position.

B

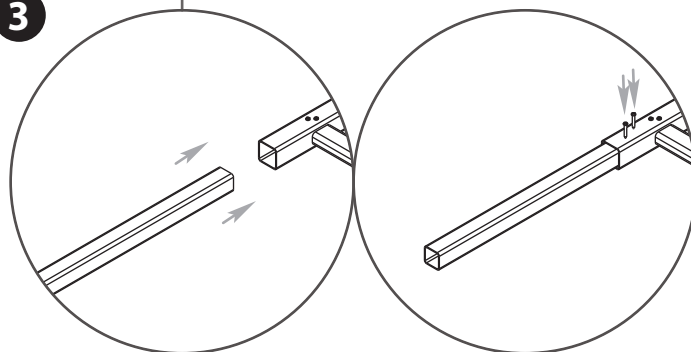
Level it both vertically and horizontally into the excavated holes.

C

Backfill the holes with the excavated soil.



3



4 A

B
Level →

