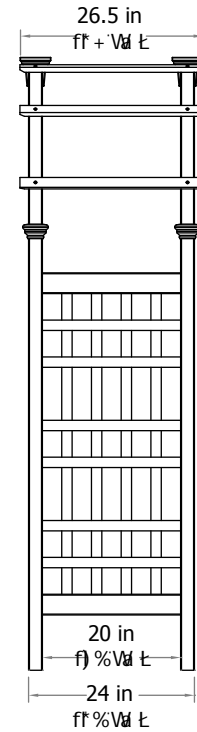
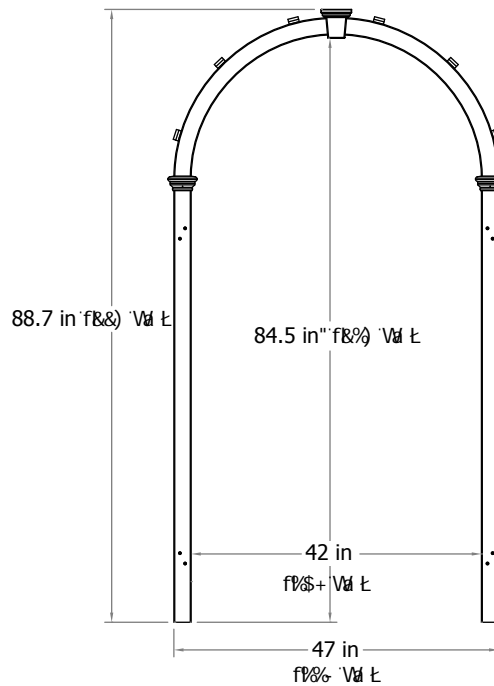
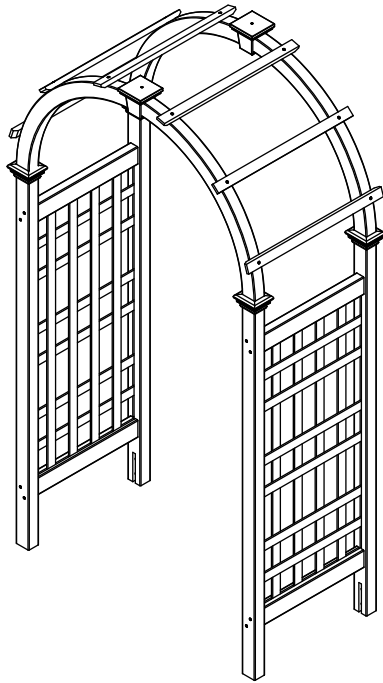


ASSEMBLY INSTRUCTIONS

FZVDeW aaV 3dΓad! 3dZ



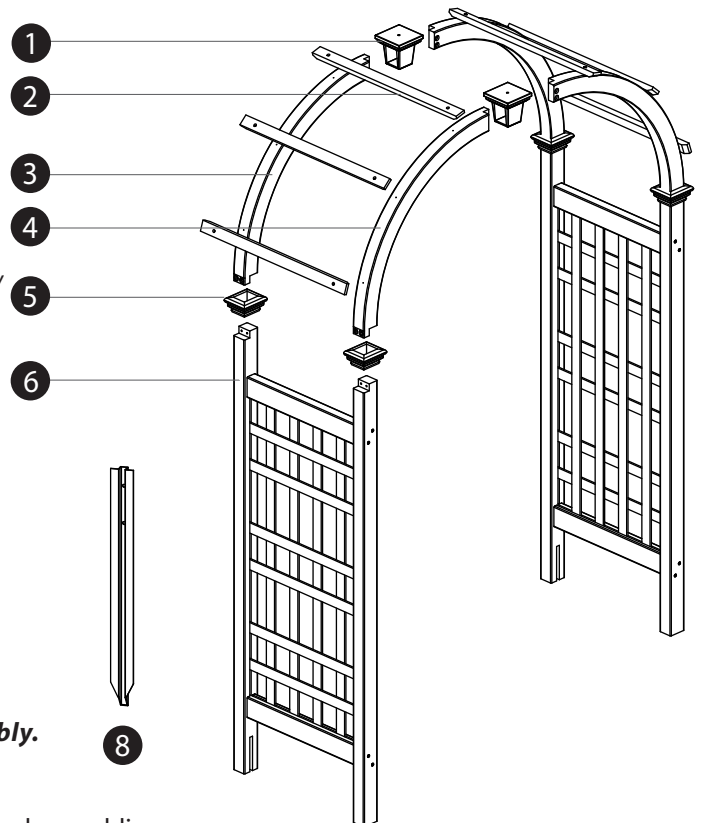
Please read through before starting assembly.

Check Box for These Contents

1 800 282 9346

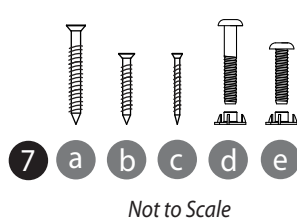
1. Arch Keystone (2) - 12000
2. Arch Rafter (6) - 12003
3. Right Arch(2) - 12002
4. Left Arch(2) - 12002
5. Post Trim Cap (4) - 12001
6. Pre-assembled Side Panel(2) - 12004
7. Hardware
 - a) 1 3/4" (44 mm) Screws (14) To attach rafters and keystones to arch
 - b) 1 1/4" (32 mm) Screws (8) To attach ground stakes to arbor posts
 - c) 1 1/4" (32 mm) Screws (8) To secure post trim caps to arbor posts
 - d) 2" (51 mm) Bolts & T-Nuts* (8) To fasten side panels to arch assembly
 - e) 1 3/4" (44 mm) Bolts & T-Nuts* (4) To fasten arch sections together
8. Ground Stakes (4) - 12006

(* T-Nuts are already installed inside the posts.)



Tools You Will Need

- Cordless Drill
- Tape Measure
- Level
- Short Ladder
- Shovel



Not to Scale

General Information

Read Instructions through carefully before beginning assembly.

- When assembling components, place on a non-abrasive surface (i.e. shipping box) to avoid scratching.
- We recommend an area approx 10'x 8' (3 m x 2.4 m) for unobstructed assembling.
- You should not need to use excessive force when assembling components.

STEP ONE

Assemble the Arch System

1

Slide the Keystone onto one of the arch section as illustrated.

2

Mate a second arch section and fasten with the provided shorter 1 3/4" (44 mm) bolts as illustrated.

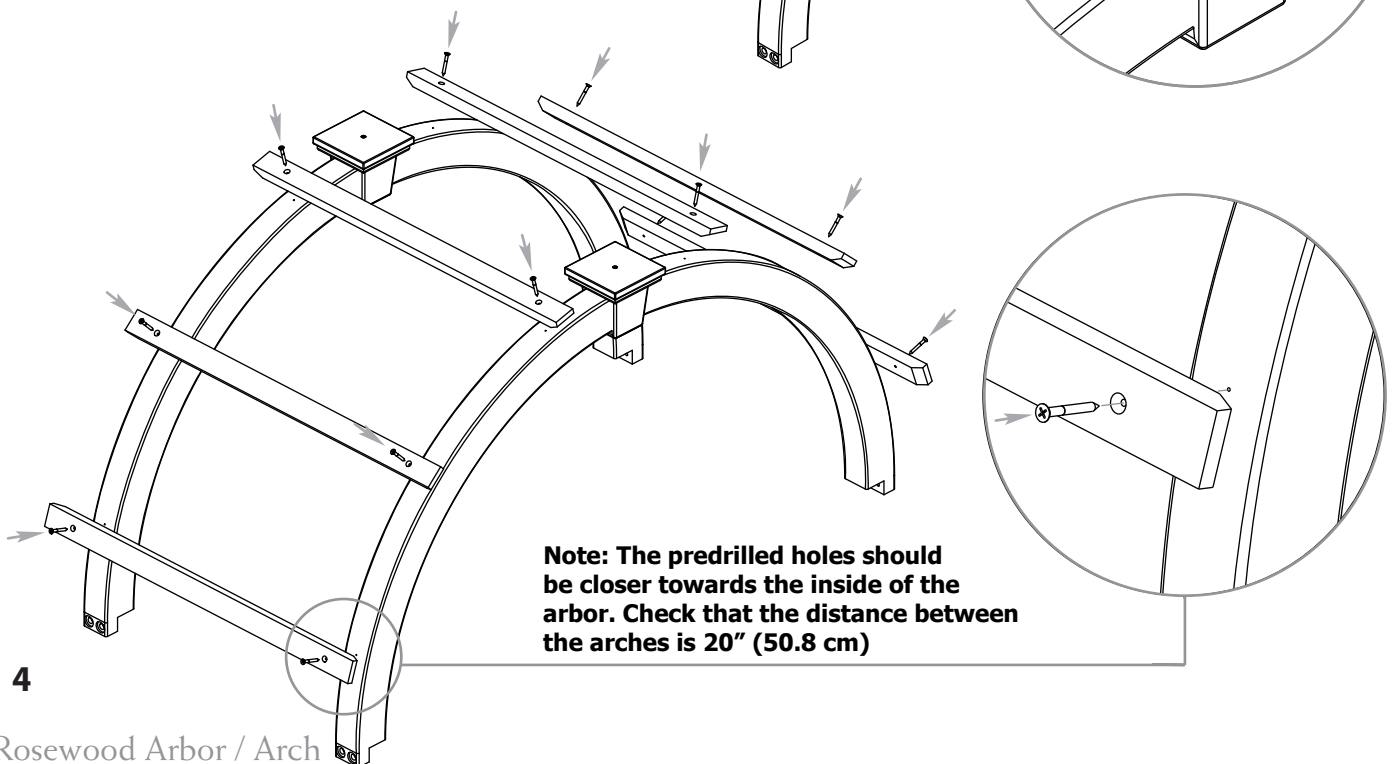
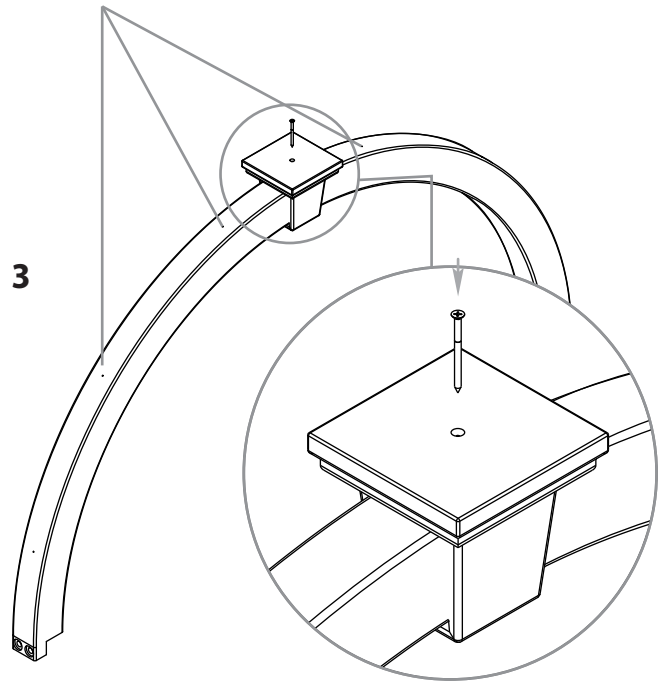
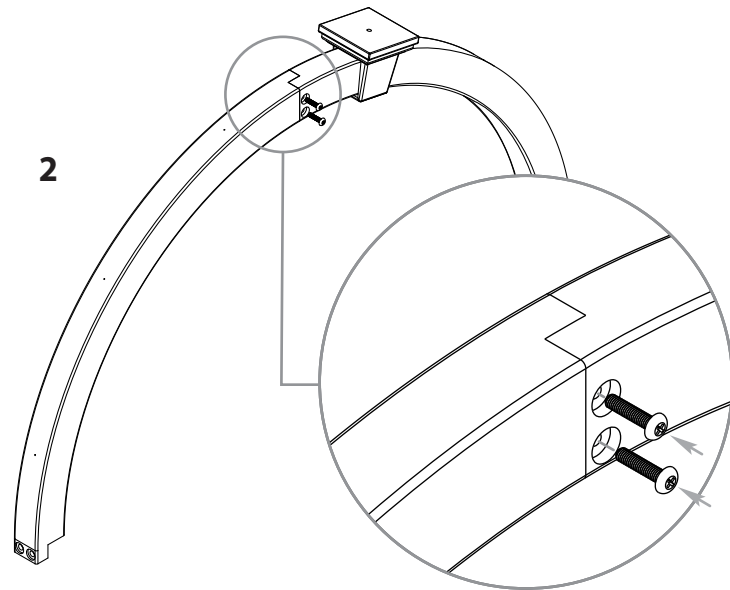
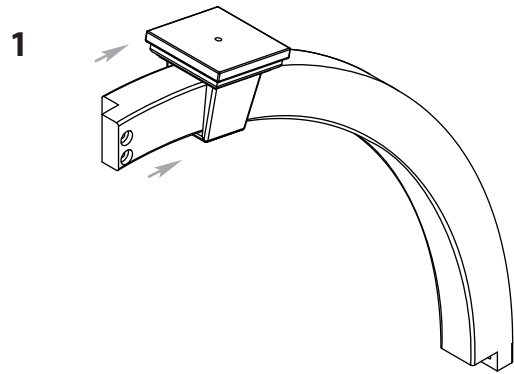
3

Slide the Keystone back and center it at the top of the arch. Fasten with 1 3/4" (44 mm) screw. Repeat for other arch.

4

Align the six arch rafters to the pre-drilled holes and fasten each rafter with two 1 3/4" (44 mm) screws as illustrated.

Note: There are Left and Right Arches. Make sure the pre-drilled holes are in line between the two arches.



Note: The predrilled holes should be closer towards the inside of the arbor. Check that the distance between the arches is 20" (50.8 cm)

STEP TWO

Connect Arch System to Side Panels

1

Position the side panels and adjust the opening width to 42 in. (106.7 cm). Slide the post trim caps on each of the posts.

2

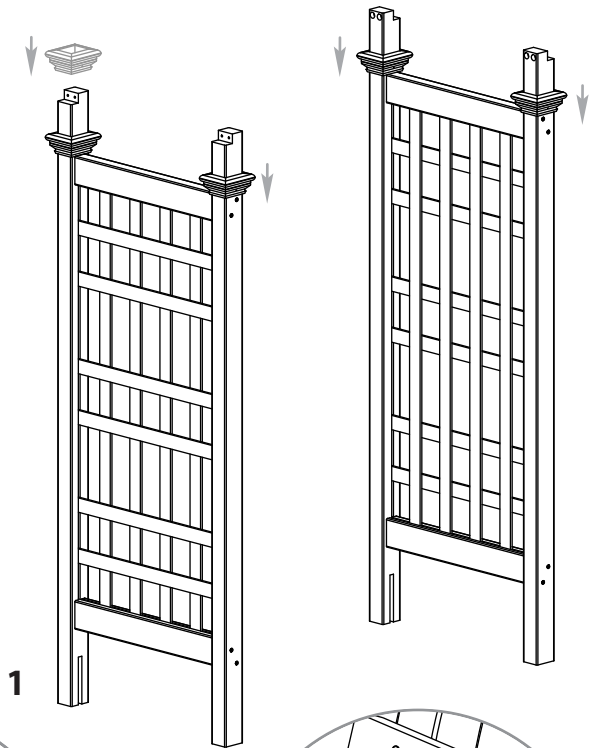
Place the pre-assembled arbor top onto the post as illustrated.

3

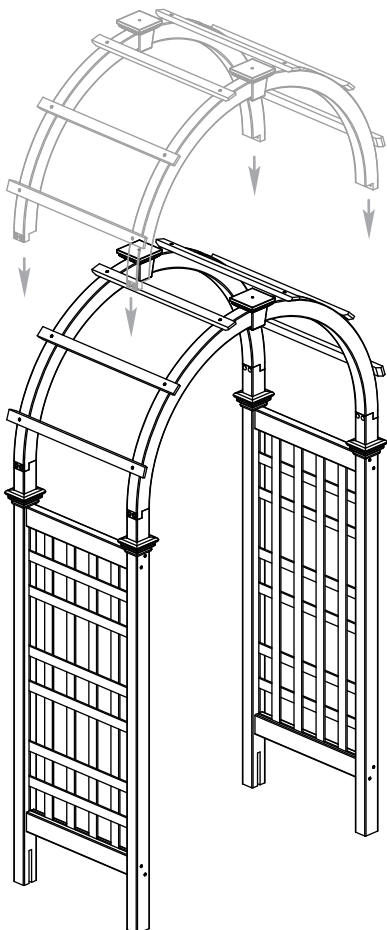
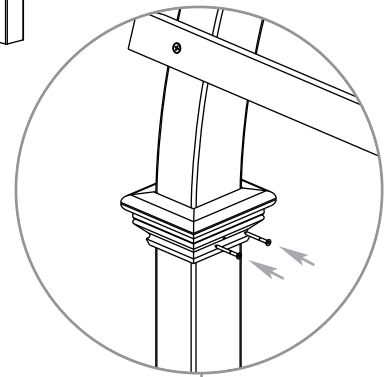
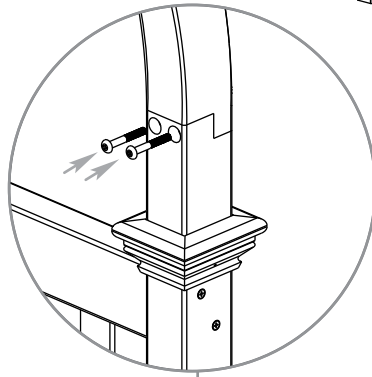
Fasten the arch system to the posts using 8 of the longer 2" (51 mm) bolts as illustrated.

4

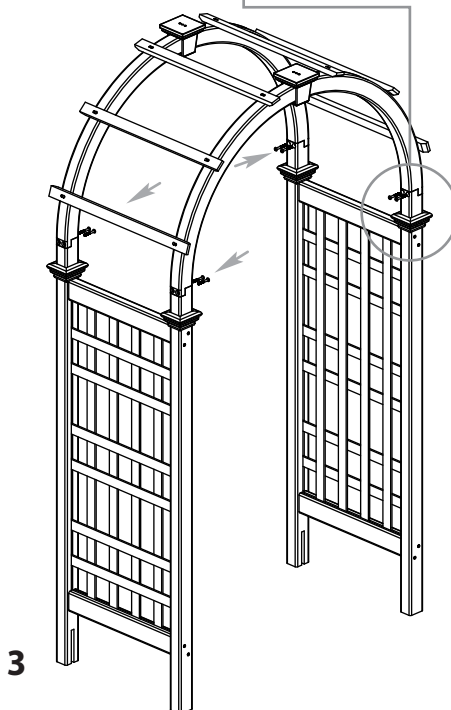
Slide the post trim caps back up the post to cover the mating parts. Secure the post trim caps into place using two 1-3/4" (44 mm) screws each.



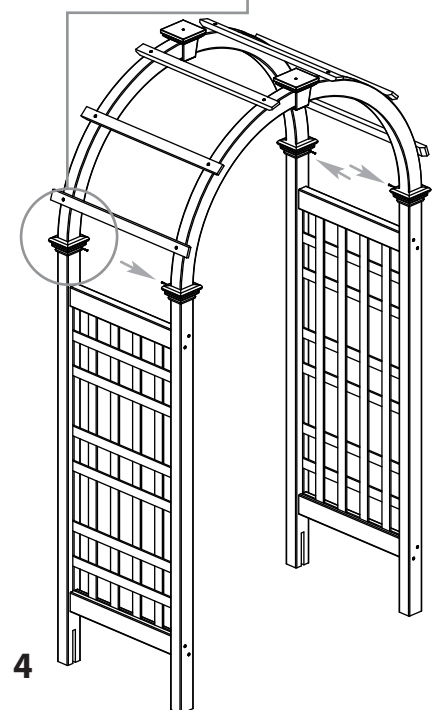
1



2



3



4

STEP THREE

Attach Ground Stakes

Arbors must be well secured to prevent tipping over from wind load etc. We have provided four ground stakes for securing the arbor.

If you are installing your arbor on concrete or a wood deck, visit your hardware store to purchase the appropriate galvanized bracketing hardware.

Fasten all four ground stakes to the base of the posts using the provided 1 1/4" (32 mm) screws (2 screws per anchor) as shown aside.

A Temporary Arbor Installation

For a temporary arbor installation, carefully lift the arbor and place into final location. Ensure the arbor opening is set at 42" (106.7 cm) and that the arbor is plumb and level.

B Permanent Arbor Installation Into Earth For Permanent Installation STRONGLY RECOMMENDED

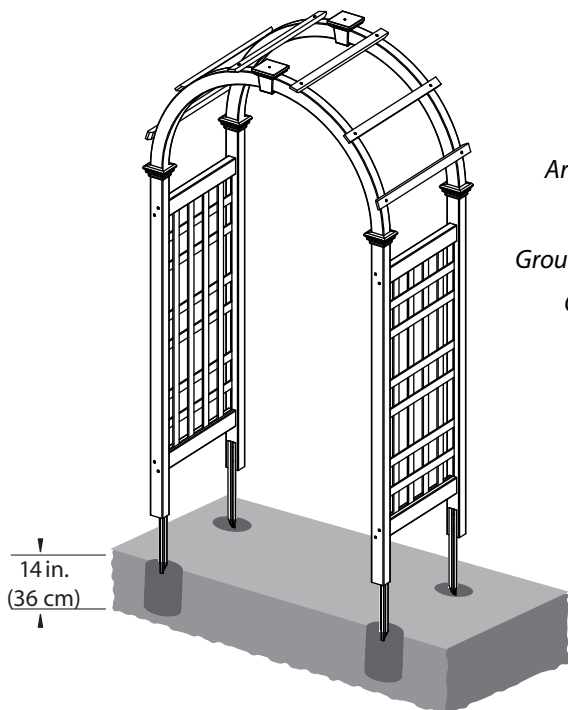
1

For a permanent installation, measure and dig four 8" holes, 14" (36 cm) deep where the ground stakes will be located. The centers of the holes should be a rectangular pattern with dimensions of 44 1/2" x 22" (113 cm x 56 cm)

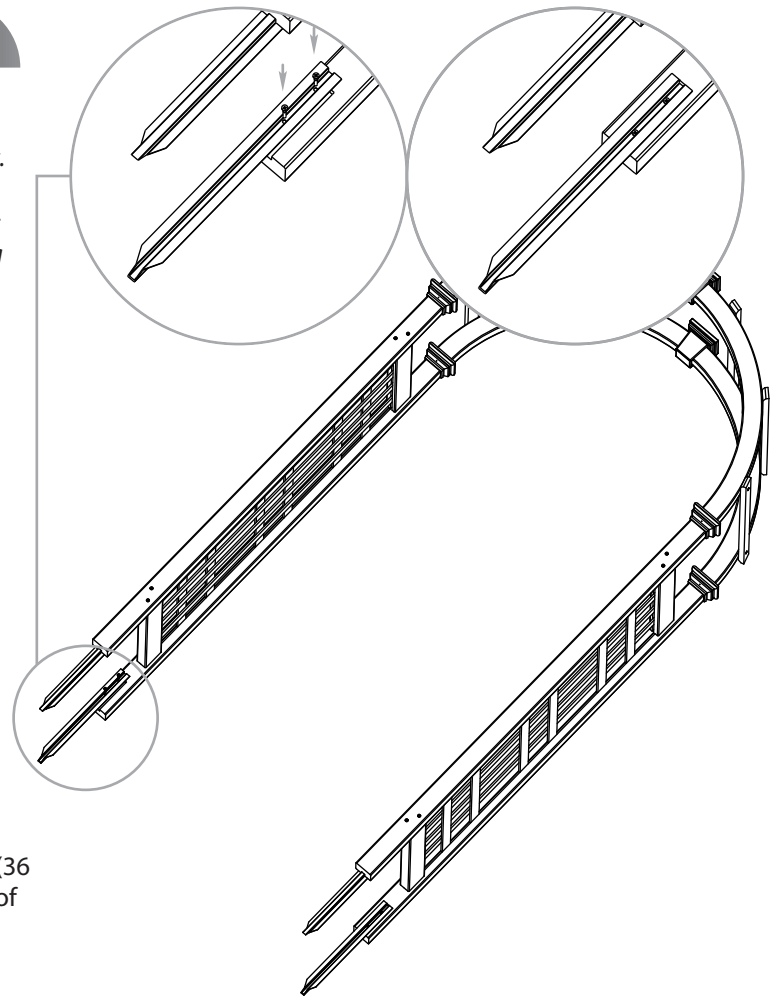
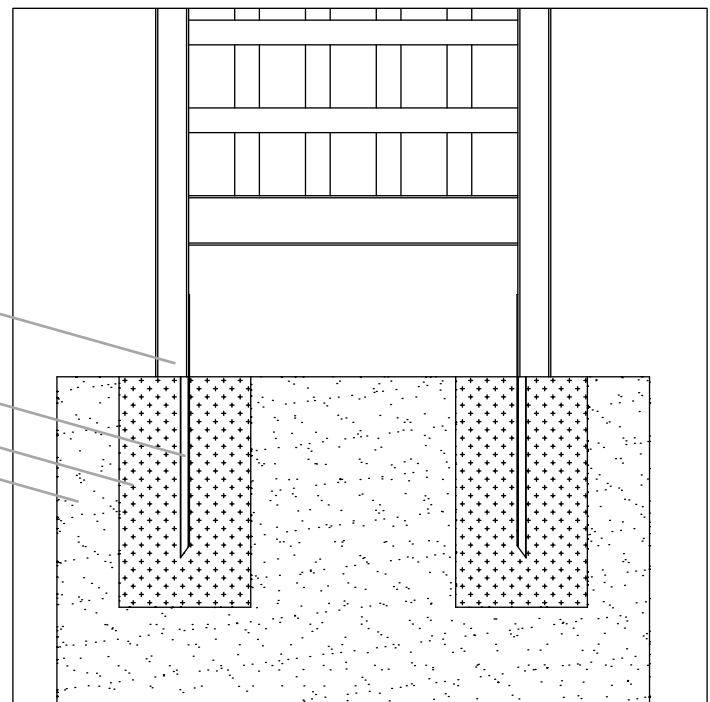
2

Fill excavated holes with mixed concrete and carefully lift arbor into place. Plumb and level the arbor.

Note: The posts should not be set in the concrete.



Arbor Post
Ground Stake
Concrete
Ground



New England
Arbors
Leadership by Design