

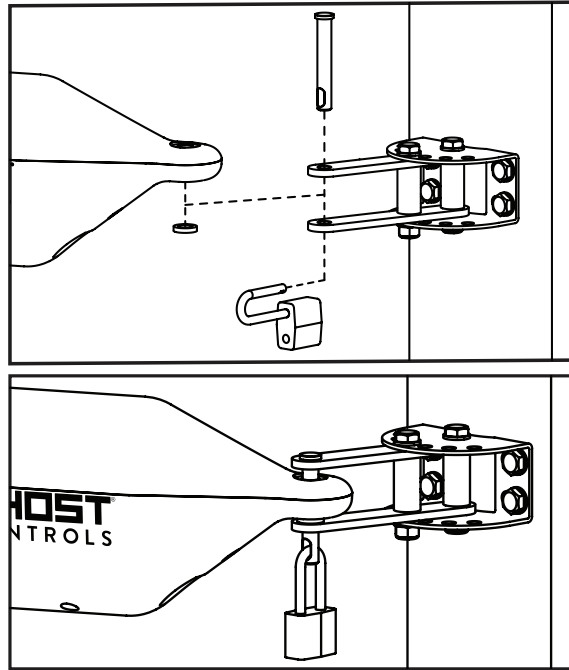


AXLC LOCKING CLEVIS PIN

■ INSTALLATION

Works on all GHOST CONTROLS® Automatic Gate Openers

Allows the lock to lock the gate operator to the post



NOTE:

If you have a dual kit you will need 2 Locking Clevis Pins. One for each opener arm.

WARRANTY:

GHOST CONTROLS® AXLC Locking Clevis Pin are warranted for 18 months with proof of purchase. An additional 6 month warranty is available at NO COST if you register your item within 30 days of purchase on www.ghostcontrols.com/register. See warranty terms on www.ghostcontrols.com/warranty.

For more information on GHOST CONTROLS® Automatic Gate Openers and Accessories please visit our website at www.ghostcontrols.com.