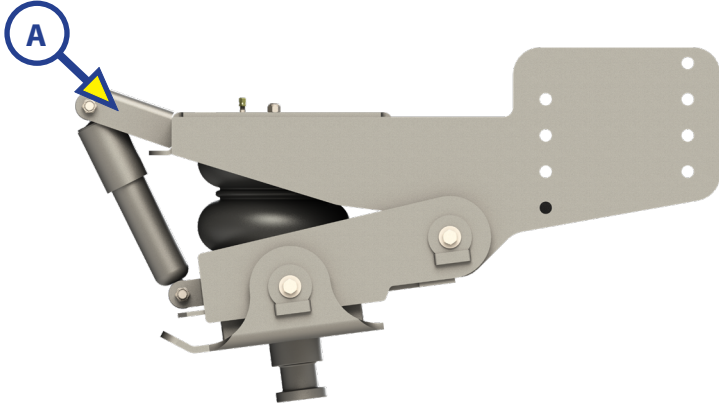


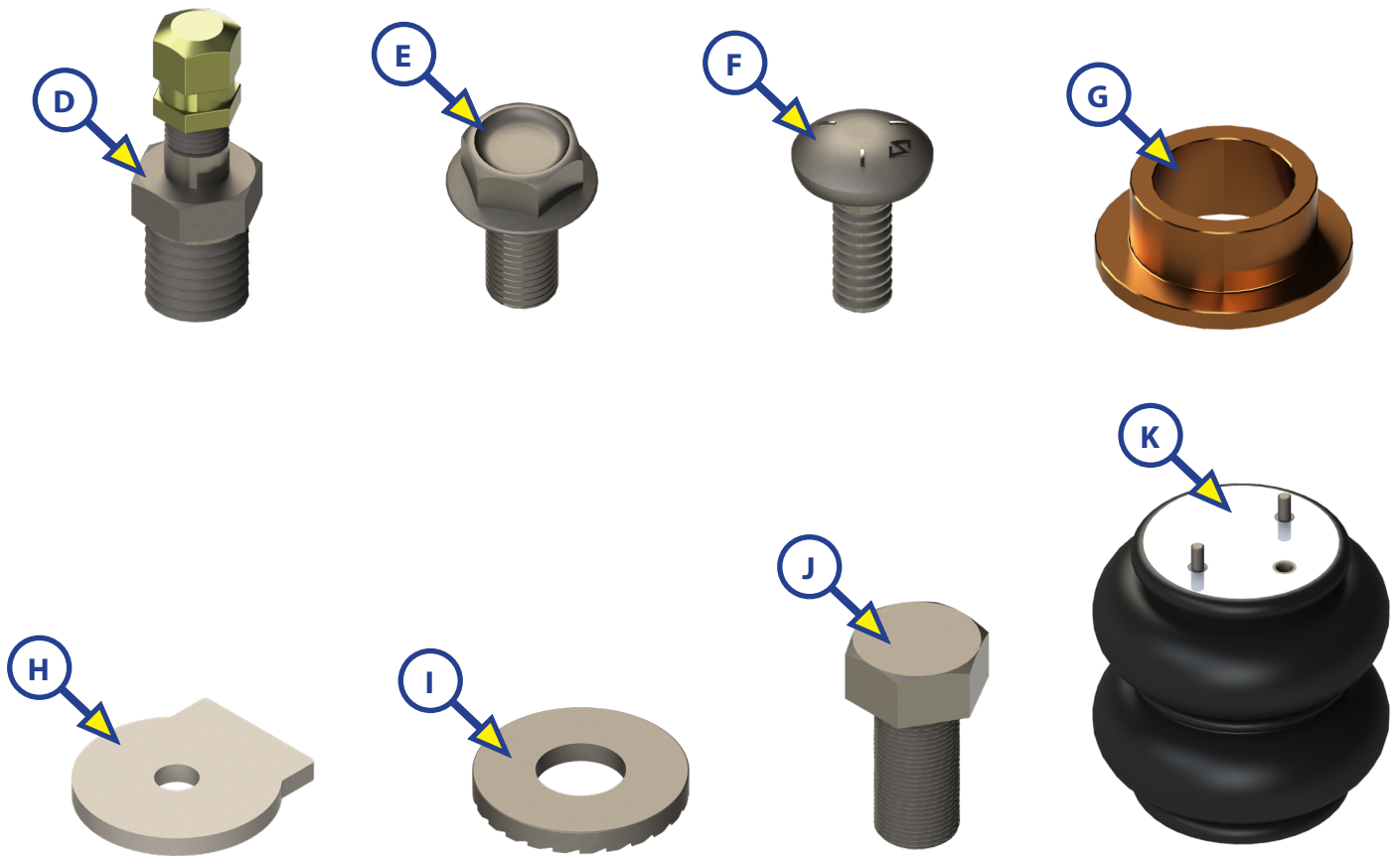
# FLEX-AIR® PIN BOX COMPONENTS

## TOWING

**NOTE:** Part numbers are shown for identification purposes only. Not all parts are available for individual sale. All parts with a link to the Lippert Store can be purchased.



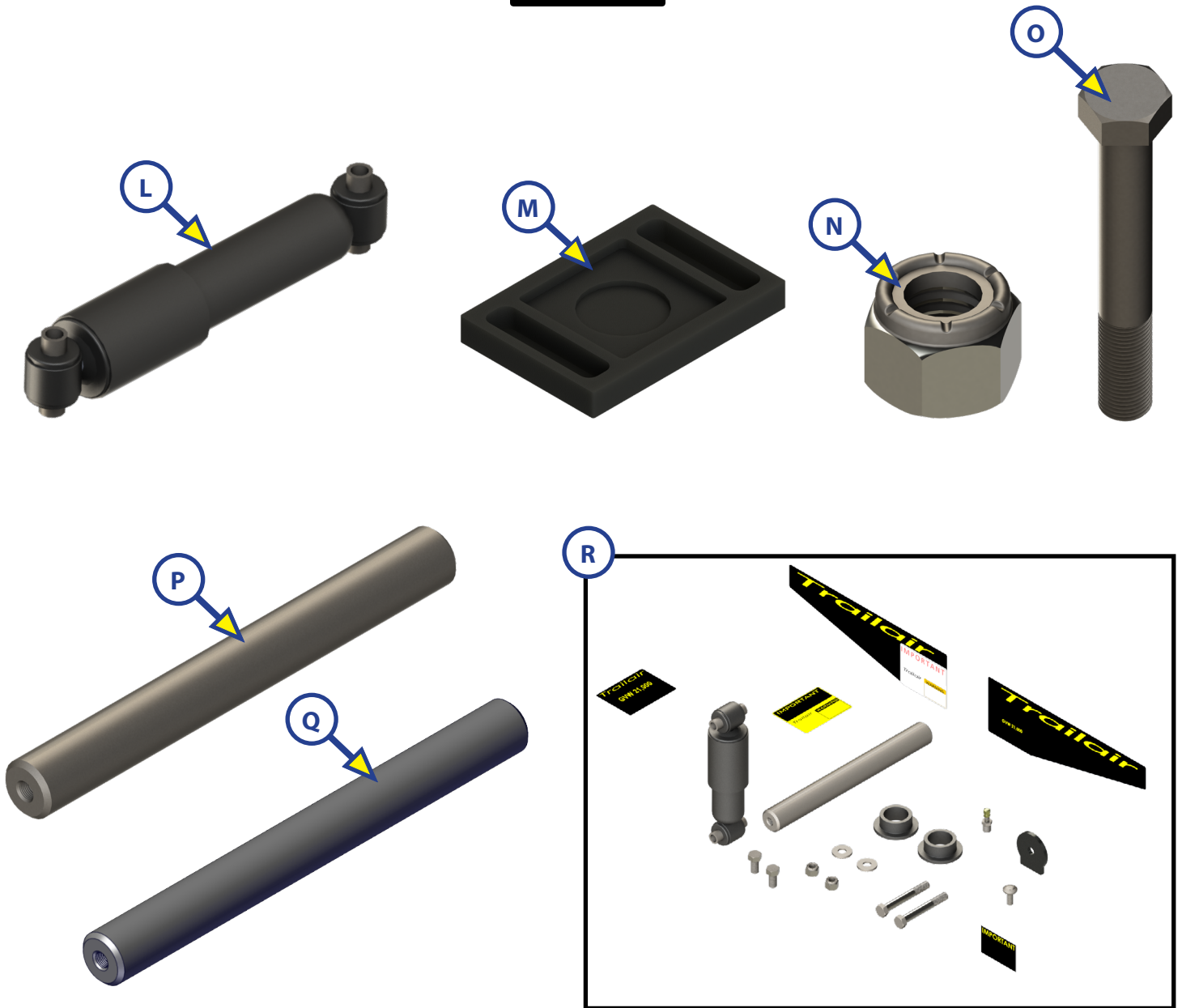
Callout	Part #	Description
A	<a href="#">328484</a>	18K M15 Flex Air Pin Box
B	<a href="#">328492</a>	18K L05 Flex Air Pin Box
C	<a href="#">369535</a>	21K L05 Flex Air Pin Box



Callout	Part #	Description
D	<a href="#">156740</a>	Tank Valve
E	<a href="#">117918</a>	Hex Flange Bolt, 3/8" - 16 x 3/4"
F	118155	Carriage Bolt, 3/8" - 16 x 1"
G	<a href="#">156144</a>	Bearing, 2 3/4" x 1"
H	<a href="#">156612</a>	Plate
I	122802	Washer, 1/2"
J	126545	Bolt 1/2" - 20 x 1"
K	<a href="#">432404</a>	Air Spring

# FLEX-AIR® PIN BOX COMPONENTS

## TOWING



Callout	Part #	Description
L	<a href="#">177223</a>	Oil Shock
M	360905	Rubber Plate (Replace with 420591)
N	188045	Nylon Lock Nut, 1/2"
O	<a href="#">119084</a>	Bolt, 1/2" - 13 x 3 3/4"
P	156680	Pin Box Shaft, 13.375" x 1.5"
Q	328491	Pin Box Shaft, 14.75" x 1.5"
R	206817	Pin Box Kit