



Model 90658

OWNER'S MANUAL

Keep this Identification Number in case you must contact our Customer Service Department.

CLEANING & CARE

Congratulations on your Lifetime® product purchase. By following the instructions below, your new Lifetime product should provide you with years of service and enjoyment.

Cleaning and Care

Lifetime® Canoes are stain- and solvent-resistant. Most stains can be removed, using a mild soap and a soft-bristled brush. Abrasive cleaning materials may scratch the plastic and are not recommended. Avoid placing a direct heat source on or near surfaces unless using a heat barrier.

Helpful Tips For Your Canoe

- Always store your canoe out of direct sunlight when not in use. Your canoe is manufactured with UV-resistant color, but a canoe stored in direct sunlight will begin to color fade over long periods of time.
- Your new canoe is molded of high-density polyethylene resin. Periodically cleaning with mild soap and water is recommended to keep your canoe looking new.
- Never drag any portion of the canoe over asphalt, rocky, sandy or abrasive surfaces.
- Do not stand or sit on your canoe when out of the water. This can cause damage to the hull.
- During regular use, it is normal to find small amounts of water inside the canoe. After each use, store the canoe upside-down to allow the water to drain.
- If your canoe has been exposed to hot sunlight, it is recommended to splash water on the hull to cool the hot surface before it comes in direct contact with your skin.

****U.S. and Canada customers ONLY****

IF ASSISTANCE IS NEEDED,

DO NOT CONTACT THE STORE!

CALL OUR CUSTOMER SERVICE DEPARTMENT at 1 (800) 225-3865

HOURS: 7:00 a.m. to 5:00 p.m. Monday through Friday (Mountain Standard Time)

****Call, or visit our Web site for Saturday hours****

****For customers outside the U.S. or Canada, please contact the store for assistance.****

STOP!

BEFORE BEGINNING ASSEMBLY



Keep the hardware bags and their contents separate. If any parts are missing, call our Customer Service Department at 1.800.424.3865.

Save this owner's manual for future reference and in the event that the manufacturer has to be contacted.



TOOLS REQUIRED FOR THIS ASSEMBLY

Safety Glasses



Electric Drill



Phillips Bit



3/8" Wrench

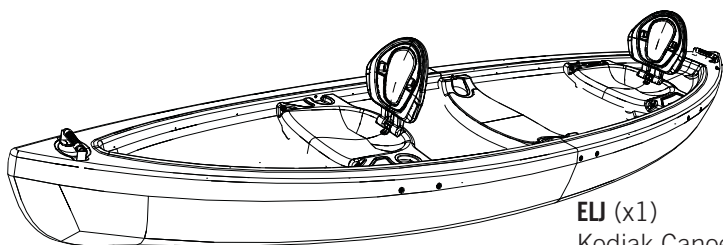


(1 pair for each person)

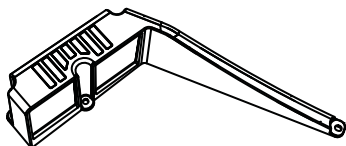
PARTS LIST

ID	Description	Qty	✓
ELJ	Kodiak Canoe	1	<input type="checkbox"/>
CXR	Motor Mount	1	<input type="checkbox"/>
CXE	Paddle (not shown)	2	<input type="checkbox"/>
ELI	Motor Mount Hardware Bag	1	<input type="checkbox"/>
ELK	1/4" Phillips-head Bolt	4	<input type="checkbox"/>
ELM	1/4" Nylock Nut	4	<input type="checkbox"/>
ELN	1/4" Flat Washer	4	<input type="checkbox"/>

PARTS IDENTIFIER



Please Note: Some parts of your watercraft may vary from the images shown.



CXR (x1)
Motor Mount

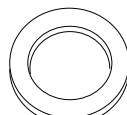
HARDWARE IDENTIFIER



ELK (x4)
1/4" Phillips-headed Bolt

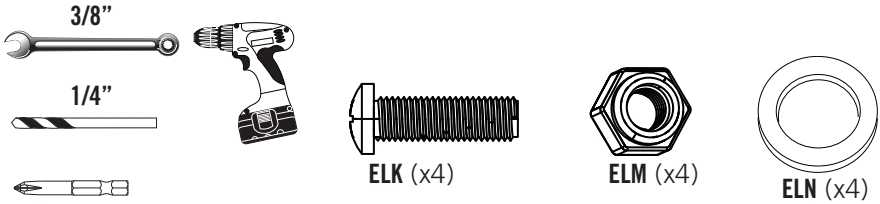


ELM (x4)
1/4" Nylock Nut



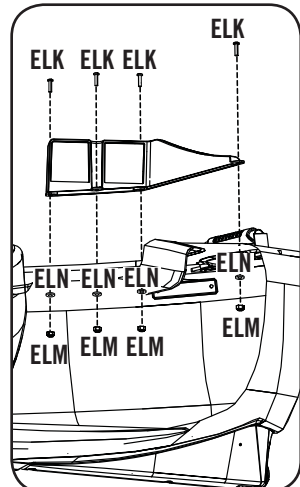
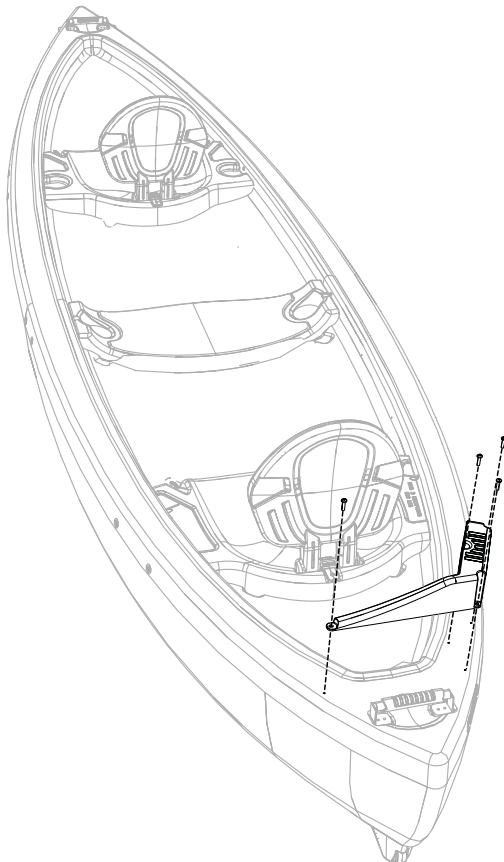
ELN (x4)
1/4" Flat Washer

SECTION 1: MOTOR MOUNT ASSEMBLY



SEC 1.1

If desired, install the Motor Mount to the back end of the Canoe. Line up the pilot holes in the Motor Mount with the dimples in the top of the Canoe and drill a 1/4" hole for all four bolt locations. Secure the Motor Mount with the hardware provided.



Cross Section to show detail

Please Note: Some parts of your watercraft may vary from the images shown, but the steps performed still apply.

SECTION 2: OWNER'S GUIDE

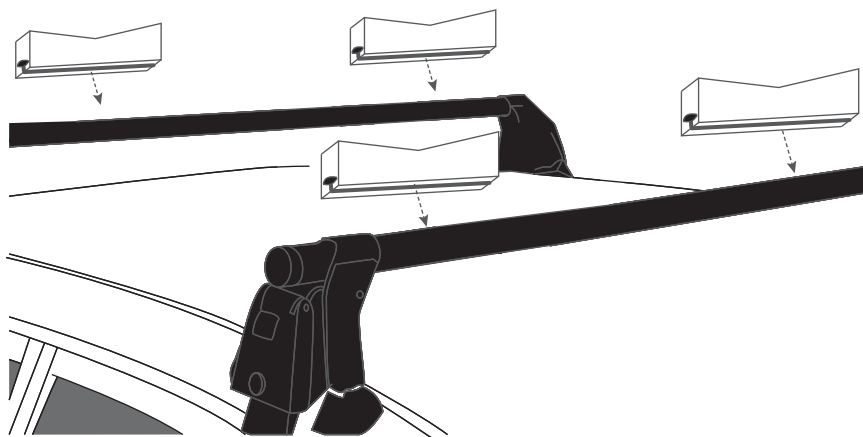
SEC

2.1

Transportation

Use caution when transporting your canoe. Be sure to tie down your canoe firmly, but do not overtighten the straps. We do not recommend the use of ratcheting straps, as these can easily be overtightened and will damage the canoe.

When transporting the canoe, we highly recommend using a canoe carrying kit. Make sure to balance the load evenly on your vehicle. Rest the canoe upside down on pads or a padded rack as shown below. To ensure stability, make sure there are two anchor points tied to each end of the canoe, and strap it twice around the belly.



Note: DO NOT overtighten the straps when securing the canoe to your vehicle. The use of ratcheting straps is not recommended. Overtightened straps can damage the canoe.



Note: Lifetime® Products is not responsible for damage to your vehicle. Consult your owner's manual for any weight or load restrictions before attempting to transport your canoe.

SEC

2.2

Storage

Be sure to empty the canoe of all water. You should clean the canoe by rinsing with freshwater, especially if the canoe has been used in salt water or becomes muddy. Store the canoe out of direct sunlight.

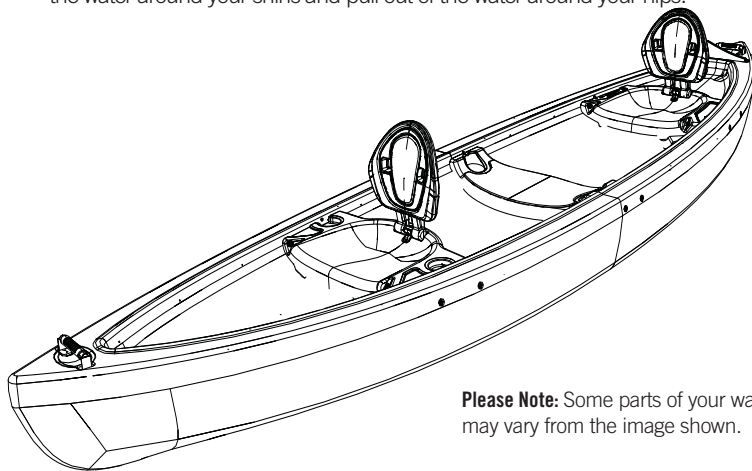
SECTION 2: OWNER'S GUIDE

SEC

2.3

Usage

Sit in the cockpit area of the canoe, centered in the provided seat area. Distribute the weight of the occupants evenly. Paddle with your arms evenly apart at a medium speed switching back and forth from one side to the other. The paddle should enter the water around your shins and pull out of the water around your hips.



Please Note: Some parts of your watercraft may vary from the image shown.

WARNING

Paddle sports can be physically demanding and dangerous.

- Anyone using this watercraft may be at risk of serious injury or death.
- Obtain certified watercraft and first aid training, and carry first aid and safety/rescue equipment.
- Consult a physician prior to beginning your paddle sport training.
- This watercraft is intended for recreational use only.
- Scout unfamiliar waters; portage where appropriate.
- Never use this watercraft in rough, stormy, or white water conditions.
- This watercraft is not intended to be used as a lifesaving device.
- Always wear a Coast Guard approved personal flotation vest.
- Do not allow minors to use this watercraft without adult supervision.
- Do not use in areas where dangerous or strong current flows can overcome your ability to control your direction or destination.
- Never use drugs or alcohol before or during operation of this watercraft.
- Always paddle with a buddy in case you require emergency help.
- Never use in cold water that may cause hypothermia.
- Always wear a helmet when appropriate.
- Check your equipment prior to each use for signs of wear or failure.
- Maximum Horsepower Rating is 1 HP with 40 lb-thrust maximum thrust.
- Maximum occupancy 3 persons.
- Maximum weight capacity 600 lb (272 kg).

**ENHANCE YOUR LIFETIME® PURCHASE BY ADDING
ACCESSORIES OR OTHER GREAT PRODUCTS**

To purchase accessories or other Lifetime Products, visit us at:

www.lifetime.com

Or call: 1-800-424-3865

