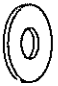


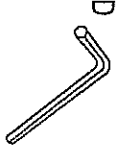



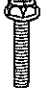
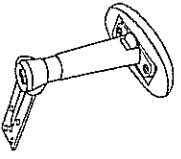
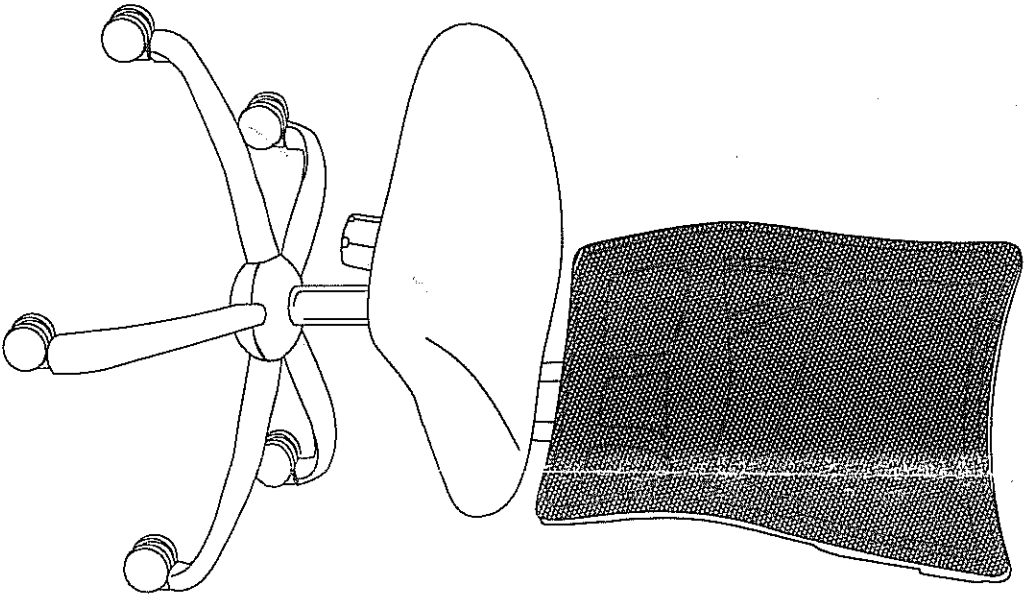


Model 5029SYG Assembly Instructions

Parts Listing

- | | | | |
|-----------------|---|-------|---|
| A |  | B |  |
| 7PCS | | 4PCS | |
| C |  | D |  |
| 3PCS | | 1PC | |
| E |  | F |  |
| 1PC | | 1PC | |
| Optional | | | |
| G |  | H |  |
| 10PCS | | 10PCS | |
| I |  | | |
| 2PCS | | | |



ASSEMBLY NOTES:

During assembly, hand tighten screws only. When all screws are in place, you may then tighten all screws completely.

- CAUTION:** 1. Do not use this chair as a step ladder.
2. Check for loose screws and tighten them anytime.

Made and printed in Taiwan, 2012.08.01 A

