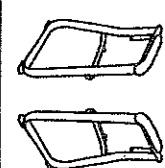

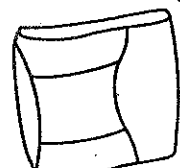



(1)x2 (1L&1R)	
(2)x1	
(3)x1	
(4)x8	
(5)x1	