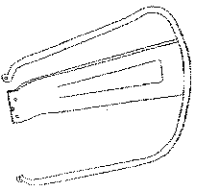
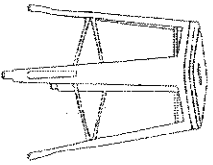
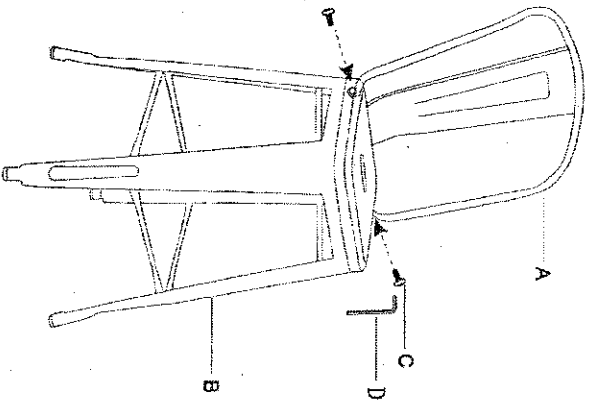


CH-31320-30GB

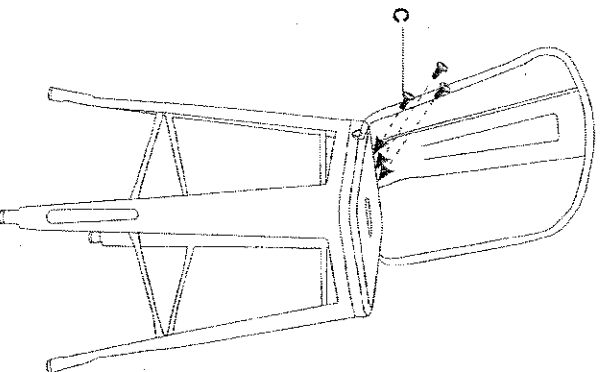
| PART IDENTIFICATION | QUANTITY | PART IDENTIFICATION | QUANTITY |
|---------------------|----------|---------------------|----------|
| A: | 1 | C: | 5 |
| B: | 1 | D: | 1 |



1



2



3

