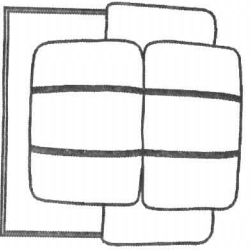


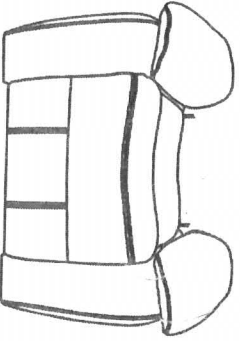
**BT-7985  
PARTS**

**ASSEMBLY INSTRUCTION**

(1)X1



(2)X1



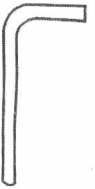
(3)X4



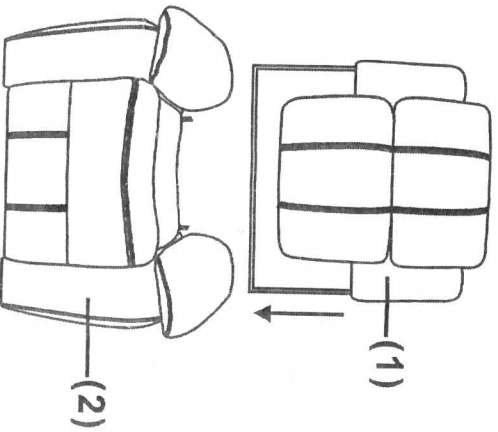
(4)X4



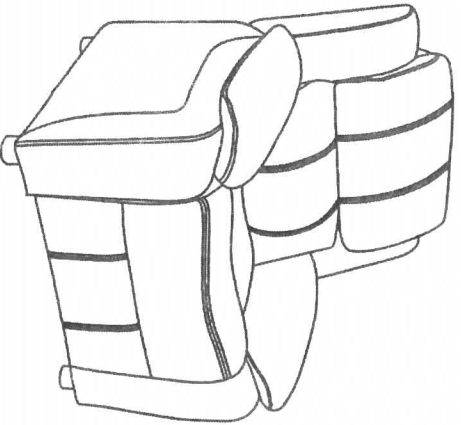
(5)X1



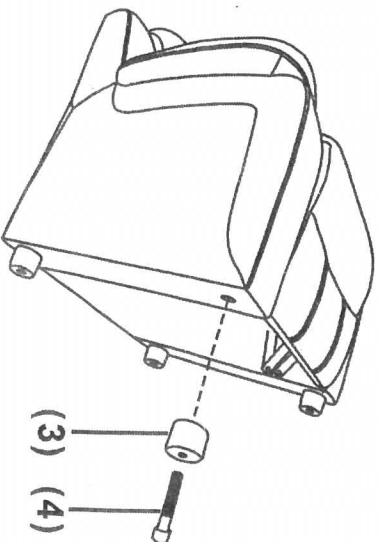
①



③



②



④

