

3T-753P PARTS

ASSEMBLY INSTRUCTION

(1)X1

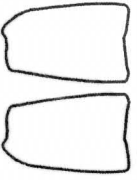


(8)X2



①

(2)X1(L)X1(R)

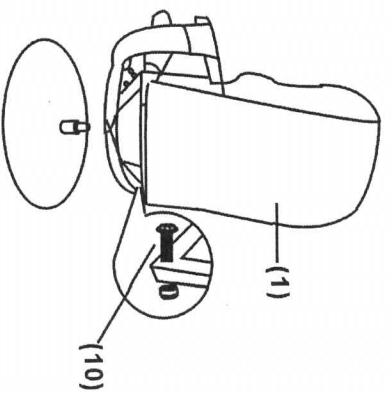


(9)X8



M6*20mm

②



(3)X1

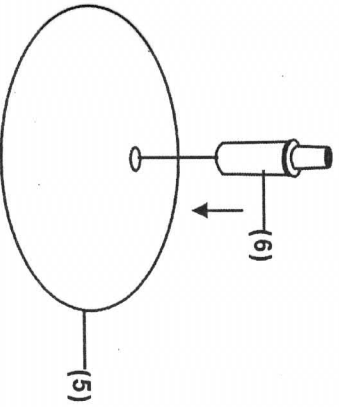


(10)X2



M8*25mm

③



(4)X1

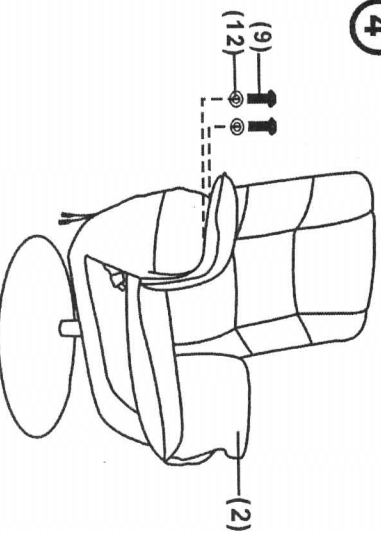


(11)X4



M6*18mm

④



(5)X1



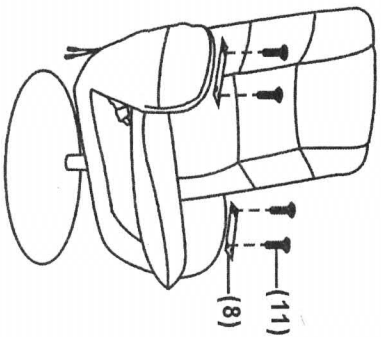
6.5*18*1.5mm



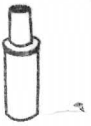
(13)X1

M5

⑤



(6)X1



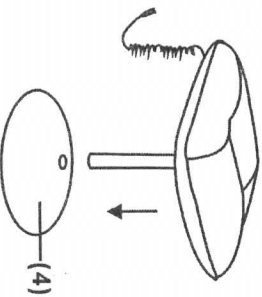
(14)X1

M6

(15)X1



⑥



(7)X1



(16)X1



⑦

