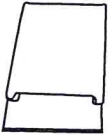
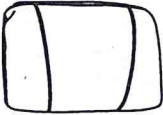



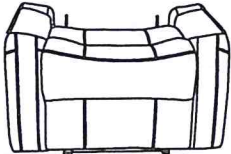


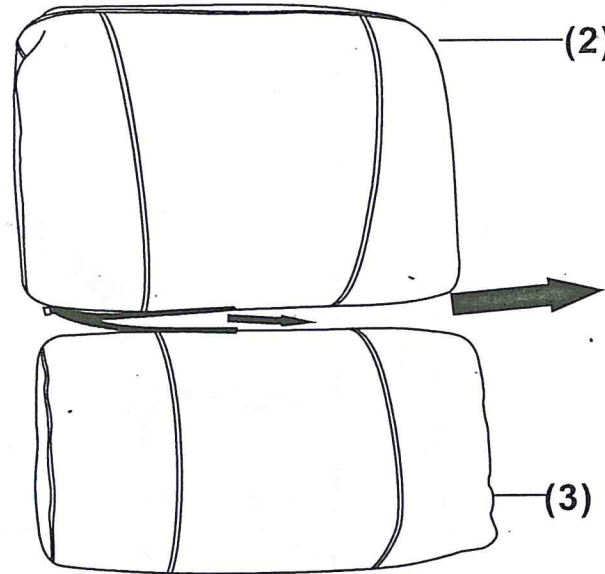
BT-70597-1 Recliner PARTS

(1) Back frame x1 
(2) Top of back cushion x1 
(3) Bottom of back cushion x1 
(4) Sides of the back x1(L)x1(R) 
(5) Arm Cushions x1(L)x1(R) 
(6) Seat x1 

ASSEMBLY INSTRUCTION

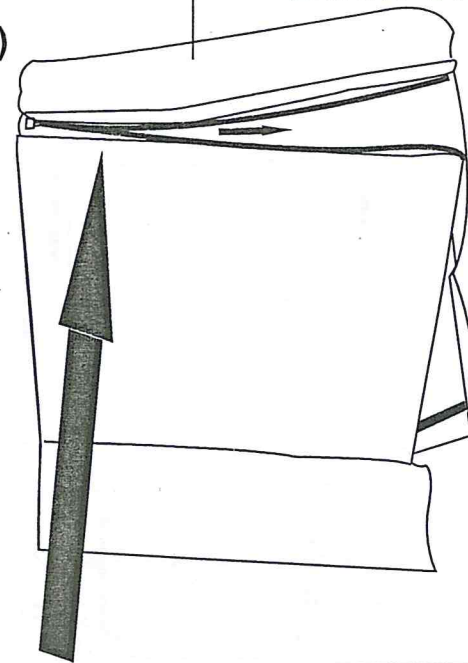
①

Front View

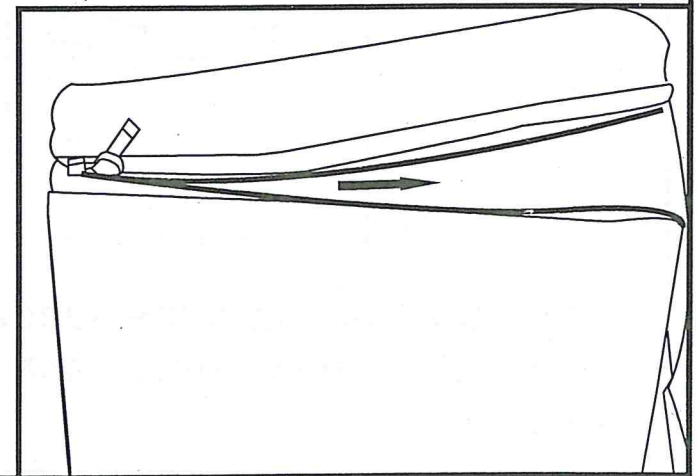


(1)

Back View



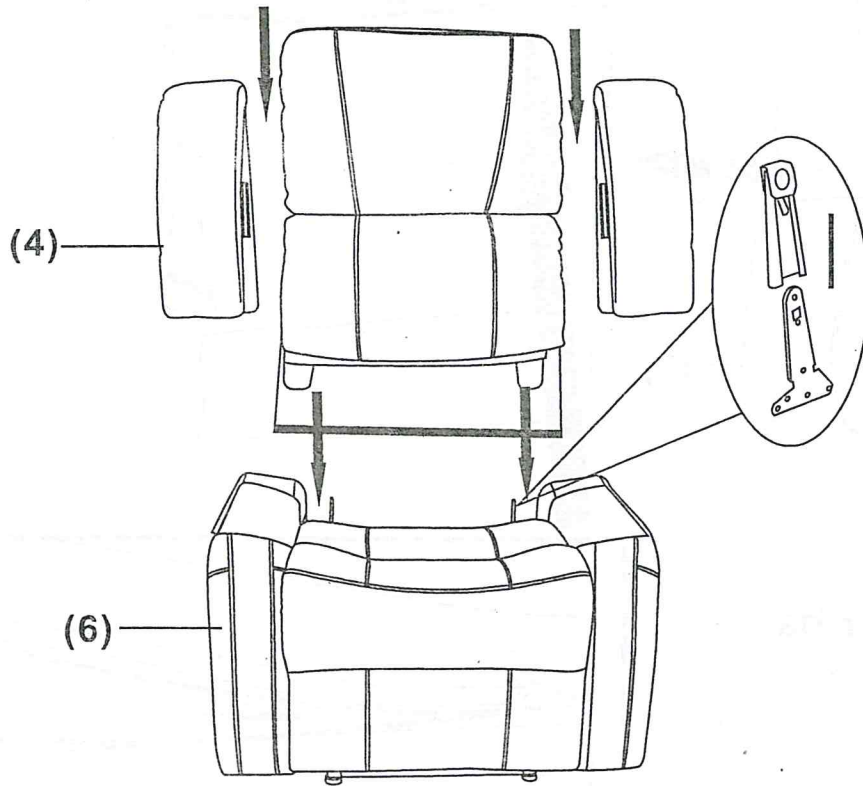
Zip upper and lower back pads together.



BT-70597-1 Recliner
PARTS

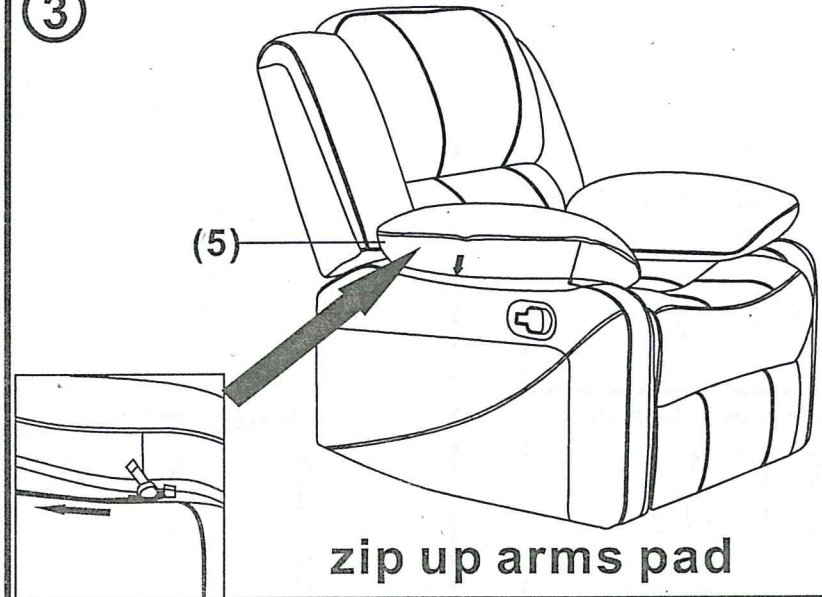
ASSEMBLY INSTRUCTION

2

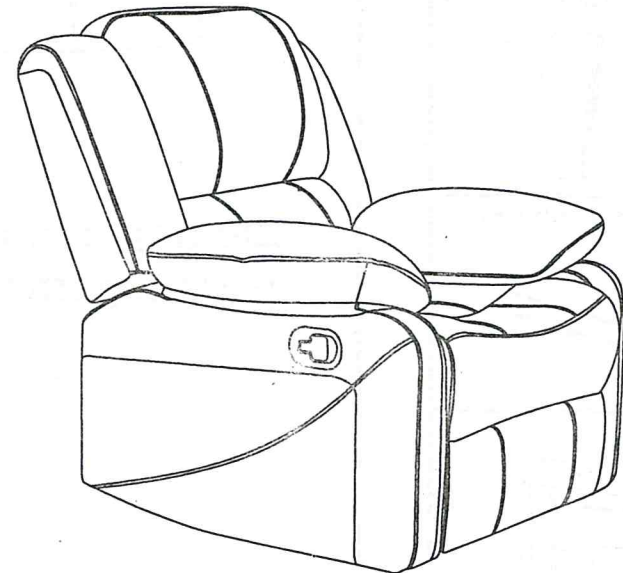


insert the back into the seat and attach
one "side of back" onto each side of
sofa back

3

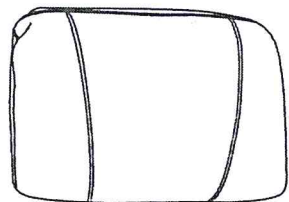


4

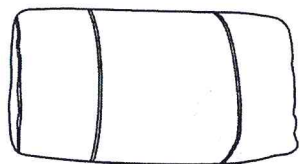


Please unpack them from underneath of sofa

(2) Top of back cushion x1



(3) Bottom of back cushion x1



(4) Sides of the back x1(L)x1(R)

