

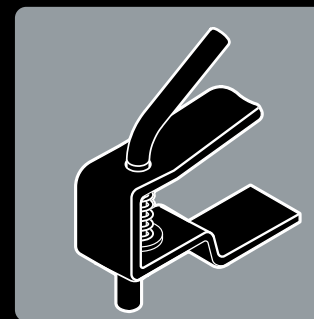


**YARDWORK SHOULDN'T
BE HARD WORK.™**

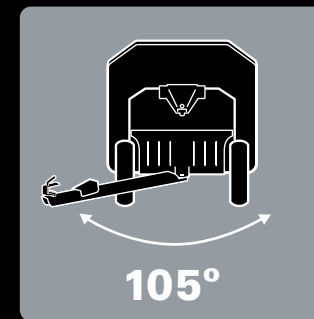
LAWN & GARDEN TRACTOR POLY SWIVEL DUMP CART

15 cu heaped
ft capacity

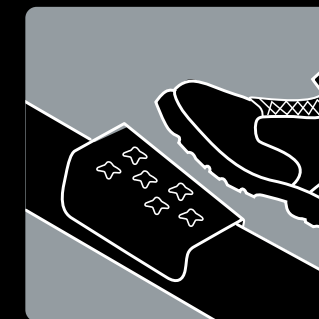
1000 lb load
capacity



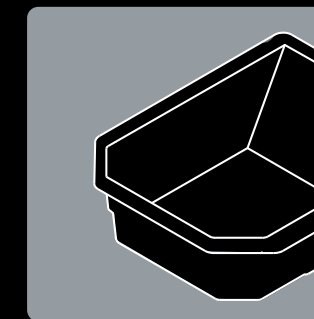
SPRING-LOADED
HITCH



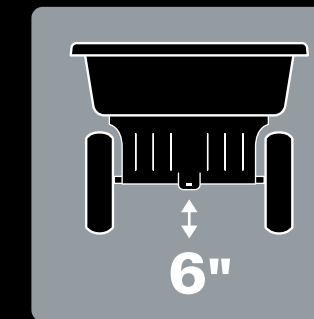
PATENTED
SWIVEL DUMP
105°



FOOT PEDAL
DUMP RELEASE



PREMIUM STRUCTURAL
FOAM POLY BED



STANDARD GROUND
CLEARANCE FOR
LAWN & GARDEN USE
6"

OHIOSTEEL

Proudly designed and
tested in Columbus, Ohio.



Model No. 1000P-SD

15 cu ft Poly
Swivel Dump Cart

U.S. Patent No. 8,496,298
U.S. Patent No. 9,242,588

