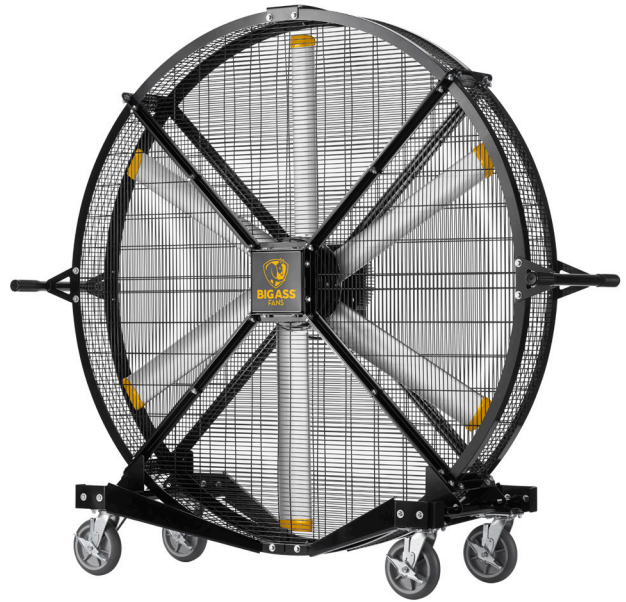


We designed Black Jack® to fit through standard interior doors and outfitted its steel frame with rubber wheels that can handle any terrain indoors or out. We gave it handles on both sides for easy maneuverability in spaces from crowded auto shops to outdoor wedding venues to fitness centers.

DESIGNED BY BIG ASS CUSTOMERS. BUILT BY BIG ASS FANS.

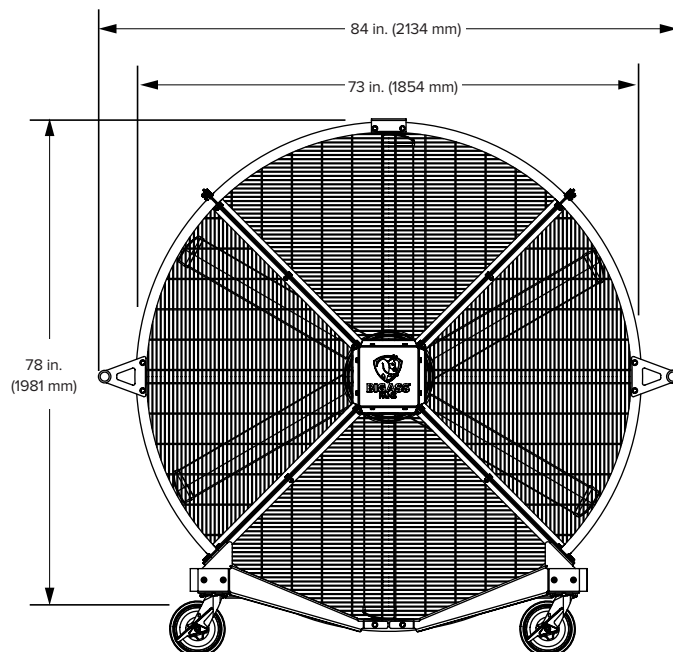
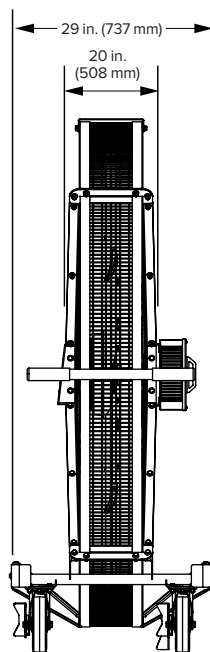
- **Construction** — Preassembled, 6.5-foot (2 m) steel frame and OSHA-compliant cage for protection in the toughest of environments; all-terrain wheels with rubber tread.
- **Power Supply** — 25-foot (7.6 m) cord and plug to fit into standard power supplies.
- **Motor and Controller** — Whisper-quiet, direct drive; variable speed control.
- **Airflow** — Creates airflow that spans one-third the length of a football field (120 feet or 36.6 meters).
- **Environment** — Wet-rated for indoor or outdoor use; IPx5-rated and certified.
- **Maintenance** — Washdown construction to hose down for easy cleaning.



Technical Specifications

Input power and required breaker	Amperage	Wattage	Sound at max speed ¹	Weight	Motor
110–125 VAC, 50/60 Hz, 1 Φ, 15 A	7.8–7.1 A	173 W	63.5 dBA	310 lb (141 kg)	ECM

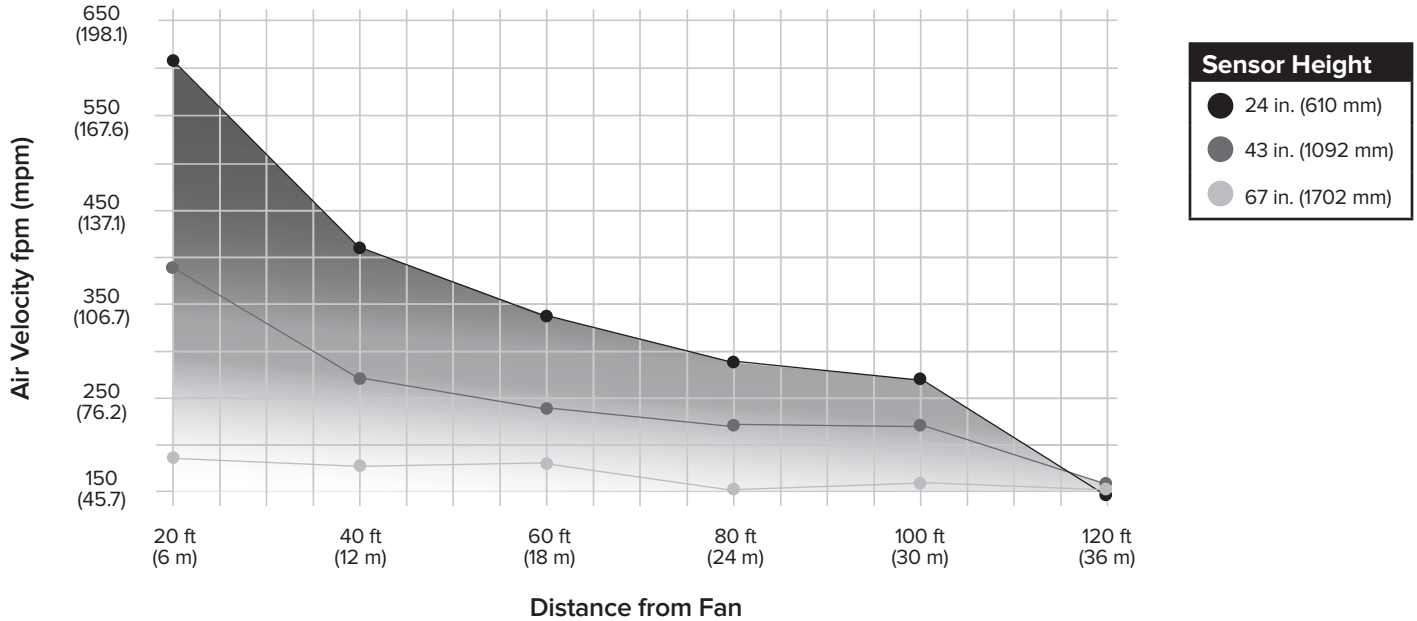
¹ Fans are sound tested at maximum speed in a laboratory environment. Actual results in field conditions may vary due to sound reflecting surfaces and environmental conditions.



Lead times may vary.
See full warranty for coverage information.
Specifications subject to change without notice.

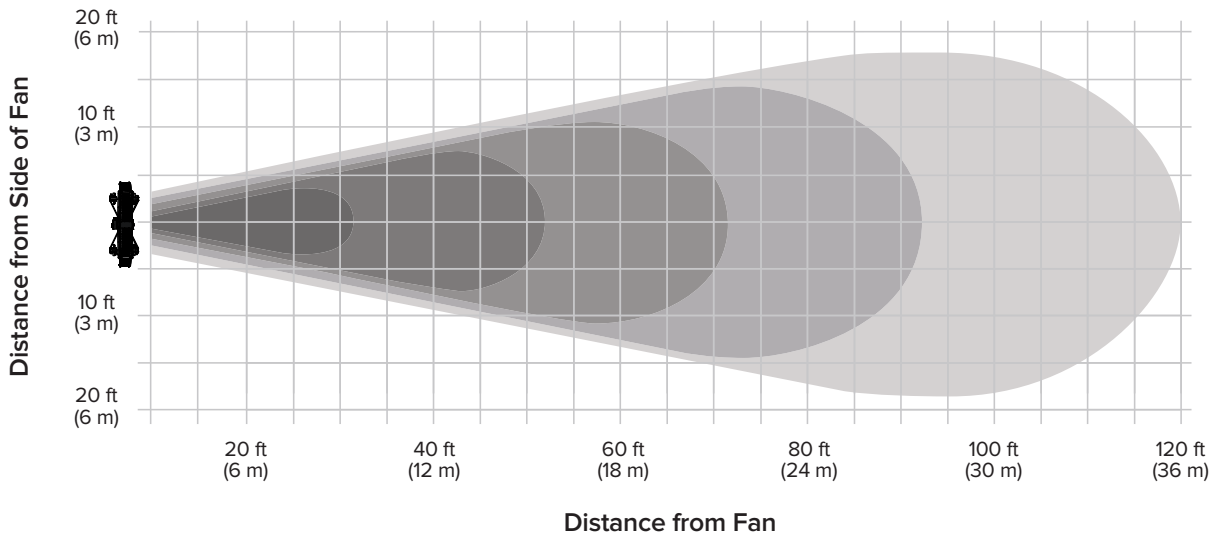
AIRFLOW VELOCITY

The three lines show air velocity from the center of the fan at three sensors of varying height.



AIRFLOW DISTANCE

Shaded areas represent cooling up to 120 feet (36.6 meters). That's one-third the length of a football field! Darker shading indicates faster air velocity.



Testing was performed in a controlled environment. Actual airflow may vary due to environmental factors.