



# BANDERA SMOKER

VERTICAL OFFSET SMOKER

## PRODUCT GUIDE GUÍA DEL PRODUCTO

MODEL | MODÈLE | MODELO

**16202020**

**Serial number | Número de serie**

See rating label on grill for serial number.

El número de serie se encuentra en la etiqueta de especificaciones de la parrilla.

**Date purchased | Fecha de compra**

If you have questions or need assistance during assembly, please call 1-800-241-7548.

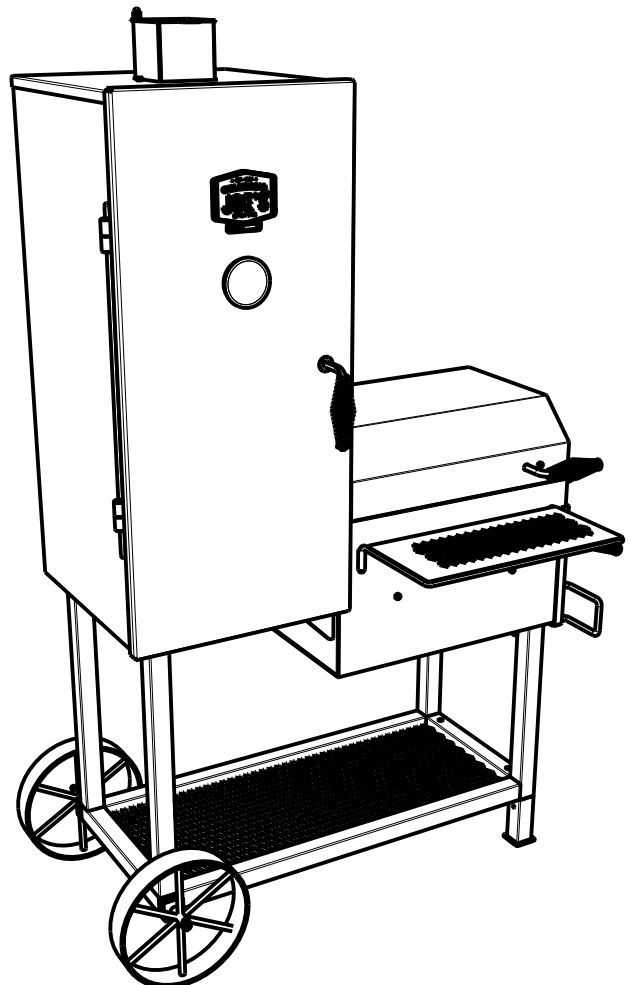
Si tiene alguna pregunta o si Necesita ayuda durante el Ensamblado, llámenos Al 1-800-241-7548.

**Tools needed for assembly:**

Two Adjustable Wrenches  
(Not Included)

**Herramientas necesarias para el armado:**

Dos llaves regulables  
(no Incluido)



# TABLE OF CONTENTS

Product Record Information . . . . .	1
Safety Symbols . . . . .	2-3
Preparing to use your Smoker . . . . .	3
Smoker Maintenance . . . . .	3
Cooking Tips . . . . .	3-4
Limited Warranty . . . . .	5
Parts List . . . . .	10
Parts Diagram . . . . .	11
Assembly . . . . .	12
Registration Card . . . . .	19

**This instruction manual contains important information necessary for the proper assembly and safe use of the appliance.**

**Follow all warnings and instructions when using the appliance.**

## INSTALLER/ASSEMBLER:



Leave this manual with consumer.

## CONSUMER:



Keep this manual for future reference.

### Safety Symbols

The symbols and boxes shown below explain what each heading means. Read and follow all of the messages found throughout the manual.

	<b>WARNING</b>	
<p><b>WARNING:</b> Indicates a potentially hazardous situation which, if not avoided, could result in death or serious injury.</p>		

	<b>CAUTION</b>	
<p><b>CAUTION:</b> Indicates a potentially hazardous situation or unsafe practice which, if not avoided, may result in minor or moderate injury.</p>		

	<b>WARNING</b>	
<p><b>CARBON MONOXIDE HAZARD</b> Burning charcoal inside can kill you. It gives off carbon monoxide, which has no odor. NEVER burn charcoal inside homes, vehicles, or tents.</p>		

## THIS GRILL IS FOR OUTDOOR USE ONLY.

	<b>WARNING</b>	
---	----------------	---

Failure to follow all manufacturer's instructions could result in serious personal injury and/or property damage.

	<b>CAUTION</b>	
---	----------------	---

Read and follow all safety statements, assembly instructions, and use and care directions before attempting to assemble and cook.

Some parts may contain sharp edges! Wear protective gloves if necessary.

**THIS UNIT IS HEAVY! DO NOT** attempt to assemble without a helper.

This unit should be assembled on a level, stable surface.

When cooking, the unit **must** be on a level, stable surface in an area clear of combustible material.

	<b>WARNING</b>	
--	----------------	--

### CALIFORNIA PROPOSITION 65

1. Combustible by-products produced when using this product contains chemicals known to the State of California to cause cancer, birth defects, or other reproductive harm.

2. This product contains chemicals, including lead and lead compounds, known to the State of California to cause cancer, birth defects or other reproductive harm.

Wash your hands after handling this product.

	<b>WARNING</b>	
---	----------------	---

Most surfaces on this unit are hot when in use. Use extreme caution. Keep others away from unit. Always wear protective clothing to prevent injury.

Keep children and pets away.

Do not move this unit during operation.

Never substitute gasoline, kerosene or alcohol for charcoal starter. In some states, the use of charcoal starter is prohibited by law. In this case, paraffin-based starter cubes can be substituted for charcoal starter. Never use charcoal starter fluid with an electric starter.

**WARNING**

After a charcoal fire appears extinguished, unconsumed embers can retain heat for up to 24 hours, and if exposed to fresh air, can burst into flame unexpectedly. Any such embers outside the firebox of the grill pose a fire hazard and can ignite combustible surfaces such as wooden decks.

**CAUTION**

**For residential use only. Do not use for commercial cooking.**

**WARNING**

**FAILURE TO READ AND FOLLOW INSTRUCTIONS FOR LIGHTING CHARCOAL MAY RESULT IN SERIOUS PERSONAL INJURY AND OR PROPERTY DAMAGE.**

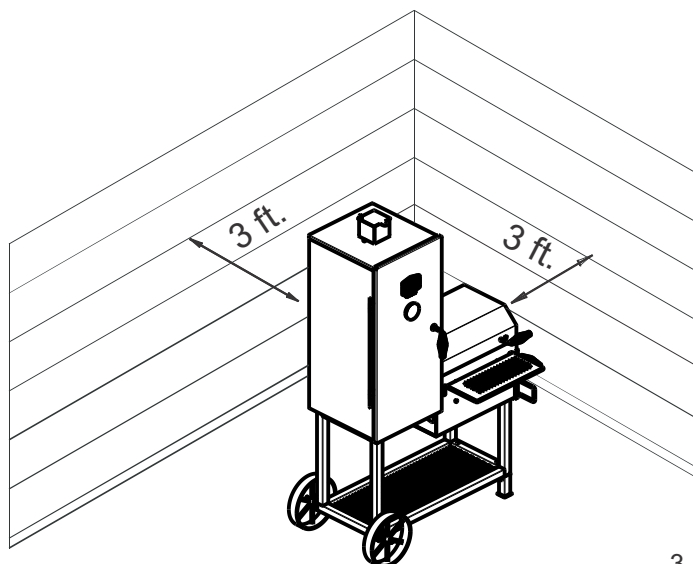
**ALWAYS USE CAUTION WHEN HANDLING HOT COALS TO PREVENT INJURY.**

**ALWAYS LIGHT THE FIRE WITH THE GRILL LID OPEN.**

**WARNING**

**Use grill at least 3 ft. from any wall or surface. Maintain 10 ft. clearance to objects that can catch fire or sources of ignition such as pilot lights on water heaters, live electrical appliances, etc.**

Use grill only in well-ventilated space. **NEVER** use in enclosed space such as carport, garage, porch, covered patio, or under an overhead structure of any kind.



## PREPARING TO USE YOUR SMOKER

Before cooking with your smoker, the following steps should be closely followed to both cure the finish and season the interior steel. Failure to properly follow these steps may damage the finish and/or impart metallic flavors to your first foods.

1. Brush all interior surfaces including grills and grates with vegetable cooking oil.
2. Build a small fire on the fire grate or pan, being sure not to lay coals against the walls.
3. Close door. (Position damper and smokestack damper approximately at one quarter open.) This burn should be sustained for at least two hours, the longer the better. Then, begin increasing temperature by opening the damper and smokestack damper half-way and adding more charcoal. Your smoker is now ready for use.

Rust can appear on the inside of your smoker. Maintaining a light coat of vegetable oil on interior surfaces will aid in the protection of your unit. Exterior surfaces of smoker may need occasional touch up. We recommend the use of a commercially available black high temperature spray paint. **NEVER PAINT THE INTERIOR OF THE UNIT !**

## SMOKER MAINTENANCE

Frequency of clean up is determined by how often the grill is used. Make sure coals are completely extinguished before cleaning inside of the unit. Thoroughly rinse with water and allow to air dry before using again. Wipe out the interior of the unit with a cloth or paper towels. When finished cooking, and the unit has adequately cooled, clean out all remaining ashes. Ashes collect moisture, which can lead to premature rusting and decay. Periodically coating the interior surfaces with vegetable oil will aid in the protection of your unit. Also, occasional touch up of the exterior paint will be required. Black, high-temperature spray paint is recommended. **NEVER PAINT THE INTERIOR OF THE UNIT.**

**Cooking Surface:** If a bristle brush is used to clean any of the grill cooking surfaces, ensure no loose bristles remain on cooking surfaces prior to grilling. It is not recommended to clean cooking surfaces while grill is hot.

## COOKING TIPS

### Building Your Fire

1. Stack charcoal briquettes or wood into a pyramid-shaped pile on top of the charcoal grate or ash pan. We recommend using 2 pounds (approximately 30 briquettes) to start your fire, adding more as needed.
2. If using lighter fluid, saturate the charcoal briquettes with lighter fluid and let it soak in for approximately 5 minutes. If using a chimney starter, electric starter, or other type of fire starter, light your fire according to the manufacturer's instructions.
3. Always light the fire with the grill lid open. Leave lid open until briquettes are fully lit. Failure to do this could trap fumes from charcoal lighter fluid in grill and may result in a flash fire when lid is opened.
4. Never add charcoal lighter fluid to hot or warm coals as flashbacks may occur causing injury.
5. You are ready to begin cooking when the pile of briquettes ashes over and produces a red glow (approximately 12 – 15 minutes).
6. Depending on your cooking method, either leave the briquettes in a pile or spread evenly across the charcoal grate using a long-handled poker.

## KNOW WHEN YOUR FIRE IS READY

Successful charcoal grilling depends on a good fire. The general rule for knowing when your coals are ready for grilling is to make sure that 80 percent or more of the coals are ashy gray. Using caution, arrange the hot coals on your charcoal grate based on your desired method of cooking. Here are a few steps you can take to adjust the temperature of your fire:

- If it is too hot, spread the coals out a bit more, which makes the fire less intense.
- Partially close the vents in the grill, which reduces the amount of oxygen that feeds the fire.
- Use the indirect grilling method, with coals to either side of drip pan and the food over the pan rather than directly over the coals.
- In the event of a severe flare-up, spray the flames with water from a squirt bottle. Be careful, spraying with water tends to blow ashes around and make a mess.
- Add briquettes 2 or 3 at a time to increase the burn time. Allow 10 minutes for coals to ash over before adding more.

## SMOKING AND SLOW COOKING

Remove the cooking grill from the firebox and build your fire on top of the fire grate in the firebox. Either charcoal or wood may be used, but wood is the recommended fuel for its rate of burn and the flavor it imparts to the food being cooked. Most seasoned hardwoods are good for smoking such as hickory, mesquite, pecan, oak, and many other fruit woods. Bark should be avoided or burned off first as it contains a high acid content and imparts an acrid flavor.

After allowing the fire to burn down, close the doors and control the temperature and smoke with the dampers located on the firebox and atop the smokestack. Smoke is contained within the chambers, which will reduce burn while imparting more smoke flavor. Do not operate the Smoker with temperatures exceeding 450 degrees in the smoker chamber. Place the food in the smoker chamber and monitor the temperature. Cooking and smoking are taking place using indirect heat. There is no need to worry about a grease fire flare-up ruining the food. Do not place food within 6" of the opening from the firebox into the smoker chamber. A general rule of thumb for cooking is about 1 hour per pound for smoking large cuts of meat. Refer to a cook book for specific cuts of meat. Limit the number of times you open the smoker chamber door as this will allow heat to escape and extend the cooking time.

## SMOKING WITH WOOD CHIPS/WOOD CHUNKS

For a more robust smoke flavor while using charcoal briquettes or lump charcoal, try adding wood chips or several wood chunks to the fire. Wood chunks are available in a variety of natural flavors, and can be used alone or in addition to charcoal. As a general rule, any hardwood that bears a fruit or nut is suitable for cooking. However, different woods have very different tastes. Experiment with different woods to determine your personal favorite, and always use well-seasoned wood. Green or fresh-cut wood can turn food black, and tastes bitter.

### ***Our Recommendations:***

**Chicken** - Alder, Apple, Hickory, Mesquite

**Beef** - Hickory, Mesquite, Oak

**Pork** - Fruitwoods, Hickory, Oak

**Lamb** - Fruitwoods, Mesquite

**Veal** - Fruitwoods, Grapevines

**Seafood** - Alder, Mesquite

**Vegetables** – Mesquite

## Food Safety

Food safety is a very important part of enjoying the outdoor cooking experience. To keep food safe from harmful bacteria, follow these four basic steps:

Clean: Wash hands, utensils, and surfaces with hot soapy water before and after handling raw meat.

Separate: Separate raw meats from ready-to-eat foods to avoid cross contamination. Use a clean platter and utensils when removing cooked foods.

Cook: Cook meat and poultry thoroughly to kill bacteria. Use a thermometer to ensure proper internal food temperatures.

Chill: Refrigerate prepared foods and leftovers promptly.

Cooking on your new grill is a hands-on experience, and it is recommended to remain outside with your grill while cooking. Grilling can be affected by many external conditions. In cold weather, you will need more heat to reach an ideal cooking temperature, and grilling may take longer. The meat's internal temperature and thickness can also affect cooking times. Cold and thicker meats will take longer to cook.

### **Internal Meat Temperatures**

Meat cooked on a grill often browns very fast on the outside. Therefore, use a meat thermometer to ensure it has reached safe internal temperatures.

<b>USDA Recommended Safe Minimum Internal Temperatures</b>	
Beef, Veal, Lamb, Steak, Roasts, & Whole Pork (with a 3 minute rest time)	145° F
Fish	145° F
Beef, Veal, Lamb, and Pork - Ground	160° F
Egg Dishes	160° F
Turkey, Chicken & Duck Whole, Pieces & Ground	165° F

Please refer to the USDA for complete, up-to-date information. Our internal temperature chart is based on USDA standards for meat doneness. Check it out at [www.isitdoneyet.gov](http://www.isitdoneyet.gov)

## LIMITED WARRANTY

This warranty only applies to units purchased from an authorized retailer. Manufacturer warrants to the **original consumer-purchaser** only that this product shall be free from defects in workmanship and materials after correct assembly and under normal and reasonable home use for the periods indicated below beginning on the date of purchase\*. The manufacturer reserves the right to require that defective parts be returned, postage and or freight pre-paid by the consumer for review and examination.

<u>SCOPE OF COVERAGE</u>	<u>PERIOD OF COVERAGE</u>	<u>TYPE OF FAILURE COVERAGE</u>
All Parts	2 year from date of purchase*	PERFORATION, MANUFACTURING, AND MATERIAL DEFECTS ONLY

\*Note: A dated sales receipt WILL be required for warranty service.

**The original consumer-purchaser will be responsible for all shipping charges for parts replaced under the terms of this limited warranty.**

This limited warranty is applicable in the United States and Canada only, is only available to the original owner of the product and is not transferable. **Manufacturer requires proof of your date of purchase. Therefore, you should retain your sales slip or invoice.** Registering your product is not a substitute for proof of purchase and the manufacturer is not responsible for or required to retain proof of purchase records.

This limited warranty applies to the functionality of the product ONLY and does not cover cosmetic issues such as scratches, dents, corrosions or discoloring by heat, abrasive and chemical cleaners or any tools used in the assembly or installation of the appliance, surface rust, or the discoloration of stainless steel surfaces. Paint is not warranted and will require touch up. **RUST is not considered a manufacturing or materials defect.**

**This limited warranty will not reimburse you for the cost of any inconvenience, food, personal injury or property damage.**

### ITEMS MANUFACTURER WILL NOT PAY FOR:

1. Shipping cost, standard or expedited, for warranty and replacement parts
2. Service calls to your home.
3. Repairs when your product is used for other than normal, single-family household or residential use.
4. Damage, failures, or operating difficulties resulting from accident, alteration, careless handling, misuse, abuse, fire, flood, acts of God, improper installation or maintenance, installation not in accordance with electrical or plumbing codes, or use of products not approved by the manufacturer.
5. Any food loss due to product failures or operating difficulties.
6. Replacement parts or repair labor costs for units operated outside the United States or Canada.
7. Pickup and delivery of your product.
8. Repairs to parts or systems resulting from unauthorized modifications made to the product.
9. The removal and/or reinstallation of your product.

### DISCLAIMER OF IMPLIED WARRANTIES and LIMITATION OF REMEDIES

Repair or replacement of defective parts is your exclusive remedy under the terms of this limited warranty. In the event of parts availability issues, the manufacturer reserves the right to substitute like or similar parts that are equally functional.

Manufacturer will not be responsible for any consequential or incidental damages arising from the breach of either this limited warranty or any applicable implied warranty, or for failure or damage resulting from acts of God, improper care and maintenance, grease fire, accident, alteration, replacement of parts by anyone other than Manufacturer, misuse, transportation, commercial use, abuse, hostile environments (inclement weather, acts of nature, animal tampering), improper installation or installation not in accordance with local codes or printed manufacturer instructions.

THIS LIMITED WARRANTY IS THE SOLE EXPRESS WARRANTY GIVEN BY THE MANUFACTURER. NO PRODUCT PERFORMANCE SPECIFICATION OR DESCRIPTION WHEREVER APPEARING IS WARRANTED BY MANUFACTURER EXCEPT TO THE EXTENT SET FORTH IN THIS LIMITED WARRANTY. ANY IMPLIED WARRANTY PROTECTION ARISING UNDER THE LAWS OF ANY STATE, INCLUDING IMPLIED WARRANTY OF MERCHANTABILITY OR FITNESS FOR A PARTICULAR PURPOSE OR USE, IS HEREBY LIMITED IN DURATION TO THE DURATION OF THIS LIMITED WARRANTY.

**Neither dealers nor the retail establishment selling this product has any authority to make any additional warranties or to promise remedies in addition to or inconsistent with those stated above.** Manufacturer's **maximum liability**, in any event, shall not exceed the purchase price of the product paid by the original consumer.

NOTE: Some states do not allow an exclusion or limitation of incidental or consequential damages, so some of the above limitations or exclusions may not apply to you. This limited warranty gives you specific legal rights as set forth herein. You may also have other rights which vary from state to state. In the state of California only, if refinishing or replacement of the product is not commercially practicable, the retailer selling this product or the Manufacturer will refund the purchase price paid for the product, less the amount directly attributable to use by the original consumer-purchaser prior to discovery of the nonconformity. In addition, in the state of California only, you may take the product to the retail establishment selling this product in order to obtain performance under this limited warranty.

**If you wish to obtain performance of any obligation under this limited warranty, you should write to:**

**Consumer Relations  
P. O. Box 1240  
Columbus, GA 31902-1240**

Consumer returns will not be accepted unless a valid Return Authorization is first acquired. Authorized returns are clearly marked on the outside of the package with an RA number and the package is shipped freight/postage pre-paid. Consumer returns that do not meet these standards will be refused.

# ÍNDICE

Información de inscripción de la garantía.....	1
Símbolos de seguridad.....	6
Para su seguridad.....	6-7
Preparativos para usar su parrilla .....	7
Mantenimiento del ahumador.....	7
Consejos para cocinar.....	7-8
Garantía limitada .....	9
Lista de piezas .....	10
Diagrama de piezas.....	11
Montaje .....	12
Tarjeta de inscripción.....	19

**Este manual de instrucciones contiene información importante, necesaria para armar el aparato adecuadamente y usarlo de manera segura.**

**Cuando use el aparato, siga todas las advertencias y las instrucciones.**

## **A LA PERSONA QUE INSTALE O ARME ESTA PARRILLA:**



Deje este manual al cliente.



### **AL CONSUMIDOR:**



Conserve este manual para que lo pueda consultar en el futuro.

#### **Símbolos de seguridad**

Los símbolos y las casillas ilustradas más adelante explican lo que significa cada encabezado. Lea y cumpla todo lo indicado en los mensajes que se encuentran en el manual.

	<b>ADVERTENCIA</b>	
<b>ADVERTENCIA:</b> Indica una situación potencialmente peligrosa que, de no evitarse, podría causar la muerte o lesiones graves.		

	<b>ADVERTENCIA</b>	
<b>ADVERTENCIA:</b> Indica una situación potencialmente peligrosa o una práctica insegura que, de no evitarse, podría causar lesiones leves o menores.		

	<b>ADVERTENCIA</b>	
<b>PELIGRO DE MONÓXIDO DE CARBONO</b> La combustión de carbón en interiores puede ser fatal. Despide monóxido de carbono, que es inodoro. <b>NUNCA</b> quemé carbón dentro de las casas, de los vehículos ni de las carpas.		

## **ESTA PARRILLA SOLO SE PUEDE USAR EN EXTERIORES.**

	<b>ADVERTENCIA</b>	
---	--------------------	---

El no cumplir con todas las instrucciones del fabricante puede ocasionar lesiones graves y/o daños materiales.

	<b>ADVERTENCIA</b>	
---	--------------------	---

Antes de empezar a armar la parrilla y cocinar, lea y siga todas las indicaciones de seguridad, las instrucciones de armado y las instrucciones de uso y mantenimiento.

Ciertas partes pueden tener bordes afilados. Si es necesario, use guantes protectores.

**¡ESTA UNIDAD ES PESADA! NO** intente armarla sin la ayuda de otra persona.

Esta unidad debe ser montada en una superficie estable, nivelada.

Cuando cocine, la unidad **debe** estar en una superficie nivelada y estable en un área libre de material combustible.

	<b>ADVERTENCIA</b>	
--	--------------------	--

#### **PROPOSITION 65 DEL ESTADO DE CALIFORNIA**

1. En el estado de California se sabe que los subproductos de la combustión en este aparato, contienen sustancias químicas que causan cáncer, defectos congénitos u otras lesiones al aparato reproductor.
2. Este producto contiene sustancias químicas como el plomo y sus compuestos que, en el estado de California, se sabe que causan cáncer, defectos congénitos u otras lesiones al aparato reproductor.

**Lávase las manos después de manipular este producto.**

	<b>ADVERTENCIA</b>	
---	--------------------	---

La mayoría de las superficies de esta unidad están calientes cuando está en uso. Sea sumamente cuidadoso. No deje que las demás personas se acerquen a la unidad. Use siempre ropa protectora para evitar lesionarse.

No deje a los niños ni a las mascotas acercarse a la unidad.

No la mueva mientras esté en uso.

Nunca use gasolina, queroseno ni alcohol para encender el carbón. En algunos estados, la ley prohíbe el uso de líquido para encender carbón. En estos casos, puede usar cubos a base de parafina en lugar del líquido para encender carbón. Nunca use líquido para encender carbón con un encendedor eléctrico.



## ADVERTENCIA



Todas las superficies pueden estar calientes durante el uso. Protéjase debidamente para no sufrir quemaduras. No use esta unidad en superficies ni en estructuras combustibles, ni cerca de ellas, tales como terrazas de madera, hojas o césped secos, revestimientos de vinilo o de madera, etc.  
LEA EN EL MANUAL DEL PROPIETARIO INFORMACIÓN IMPORTANTE SOBRE MEDIDAS DE SEGURIDAD.



## ADVERTENCIA



Después de un fuego de carbón parece extinguirse, brasas consumidas pueden retener el calor durante un máximo de 24 horas, y si se expone al aire libre, pueden estallar en llamas inesperadamente. Cualquier brasas fuera de la caja de fuego de la parrilla representan un peligro de incendio y pueden encender superficies combustibles tales como terrazas de madera.



## ADVERTENCIA



**Sólo para uso particular. No la use para fines comerciales.**

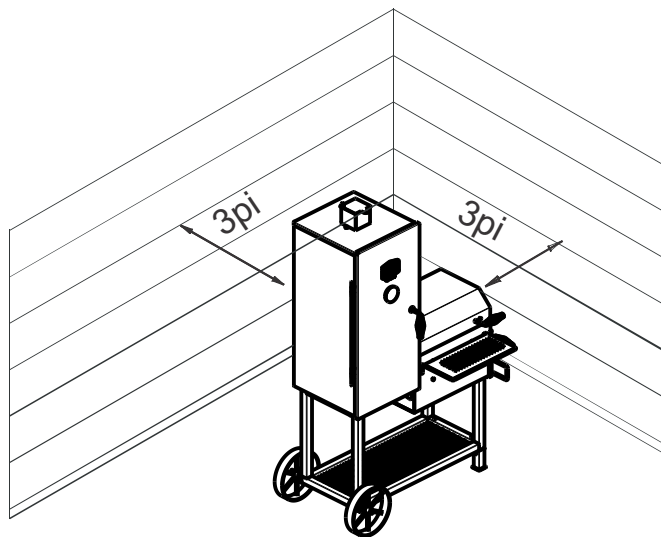


## ADVERTENCIA



**Use la parrilla al menos a 3 pies de distancia de cualquier pared o superficie.** Deje un espacio de 10 pies entre la parrilla y los objetos que puedan incendiarse o que sean fuentes de ignición, tal como las llamas piloto de calentadores de agua, aparatos eléctricos conectados, etc.

Use la parrilla sólo en lugares bien ventilados. **NUNCA** la use en lugares cerrados tales como cocheras, garajes, porches, patios techados o debajo de superficies de ningún tipo.



## PREPARATIVOS PARA USAR SU AHUMADOR

Antes de cocinar con su ahumador, debe seguir al pie de la letra los siguientes pasos para curar el acabado y el acero del interior. Si no cumple con estos requisitos al pie de la letra, se puede dañar el interior de la ahumador y los primeros alimentos que cocine podrán tener un gusto metálico.

1. Unte todas las superficies metálicas del interior, incluyendo las ahumadores y las rejillas con aceite vegetal para cocinar.
2. Encienda un fuego pequeño, no muy intenso, en la rejilla para carbón o la sartén, asegurándose de no colocar los carbones contra las paredes.
3. Cierre la tapa. Ajuste los reguladores de tiro a casi un cuarto de su apertura total. Este nivel de fuego se deberá mantener durante al menos dos horas. Comience a aumentar la temperatura abriendo los reguladores a la mitad de su apertura y añadiendo más carbón. Su ahumador smoker está lista para usarla

Puede ser que se oxide la parte interior de su ahumador. El mantenimiento de las superficies interiores con una capa ligera de aceite vegetal ayudará a proteger su ahumador. Las superficies exteriores de la ahumador pueden requerir un retoque de vez en cuando. Le sugerimos que use una pintura en aerosol resistente a temperaturas elevadas, que puede adquirir en cualquier tienda. ¡NUNCA PINTE LA PARTE INTERIOR DE LA UNIDAD!

## MANTENIMIENTO DE LA AHUMADOR

La frecuencia de la limpieza dependerá de la frecuencia con que se use el ahumador. Asegúrese de que las brasas estén completamente apagadas antes de limpiar el interior del ahumador. Para limpiar las superficies interiores puede usar una solución concentrada de detergente y agua, aplicándola con un cepillo de cerdas resistentes. Enjuáguelas bien con agua y deje que se sequen completamente al aire antes de volver a usar el aparato.

Si utiliza un cepillo de cerdas para limpiar las superficies para cocinar, antes de usar la ahumador verifique que no queden cerdas sueltas sobre éstas. Se recomienda no limpiar las superficies para cocinar cuando la ahumador esté aún caliente.

## CONSEJOS PARA COCINAR

### Cómo encender el fuego

1. Apile en forma de pirámide las briquetas de carbón o los trocitos de madera sobre la rejilla o la bandeja colectora de cenizas. Le sugerimos que use 2 libras (aproximadamente 30 briquetas) para encender el fuego, y luego añada más según lo necesite.
2. Si usa líquido para encender carbón, usa encendedor para chimeneas, encendedor eléctrico o de otro tipo, encienda el fuego según las instrucciones del fabricante del encendedor.
3. **Encienda siempre el fuego con la tapa de la ahumador abierta.** Deje la tapa abierta hasta que las briquetas estén totalmente encendidas. El no hacerlo puede atrapar en la ahumador emanaciones tóxicas del líquido de encender el carbón y ocasionar fuego repentino cuando la tapa esté abierta.
4. Nunca rocíe líquido para encender carbón sobre el carbón caliente o tibio, pues puede producir fogonazos y ocasionar lesiones.
5. Puede comenzar a asar cuando la pila de briquetas se cubra de cenizas y esté al rojo vivo (de 12 a 15 minutos aproximadamente).
6. Según el método de cocción que se use, deje las briquetas apiladas o espárzalas de manera uniforme por toda la rejilla para el carbón, usando un atizador de mango largo.

## CÓMO SABER CUÁNDO ESTÁ LISTO EL FUEGO

La buena calidad del asado al carbón depende de la calidad del fuego en la ahumador. Como regla general, para saber si el carbón ya está listo para asar debe cerciorarse de que el 80 por ciento o más de los carbones tengan ceniza. Si tiene menos de esa cantidad, el carbón todavía no está listo y si todos están al rojo vivo, el fuego quizás sea demasiado vivo. Los siguientes son algunos pasos que puede seguir para regular la intensidad del fuego:

- Si es demasiado intenso, esparza un poco más los carbones.
- Suba o baje la rejilla regulable para el carbón.
- Abra un poco el regulador de tiro, para reducir la cantidad de oxígeno que alimenta el fuego.
- Use el método de asado a fuego indirecto, con los carbones colocados a ambos lados del recipiente para la grasa y los alimentos colocados más o menos directamente sobre los carbones.
- Si se producen llamaradas fuertes, rocíe las llamas con agua de una botella con boquilla. Tenga cuidado, al rociar el agua se pueden volar las cenizas y ensuciar todo alrededor.
- Agregue más briquetas 2 o 3 a la vez para prolongar el tiempo de cocción. Espere 10 minutos, hasta que los carbones se cubran de ceniza, antes de volver a poner más.

### AHUMAR Y COCINAR LENTO

Si se utiliza el ahumador como un ahumado o olla de cocción lenta, quite la rejilla de la caja de fuego y construya el fuego en la parte superior de la rejilla de fuego. Cualquiera, carbón o madera, se pueden utilizar, pero la madera es el combustible recomendado por su tasa de quemadura y el sabor que imparte a los alimentos que se cocinan. Maderas duras son buenas para ahumador, tales como nogal, mezquite, roble, y muchas maderas de otras frutas. La corteza debe ser evitado o quemado primero, ya que contiene un alto contenido de ácido y le da un sabor acre.

Después de dejar que el fuego baje, cierre las puertas y controle la temperatura y el humo con los amortiguadores que se encuentran en la caja de fuego y encima de la chimenea. El humo está contenida dentro de las cámaras, lo que reducirá quema al tiempo que imparte más sabor a humo. No opere el ahumador con temperaturas superiores a 450 F grados en la cámara de ahumar. El ahumar y cocinar utilizan calor indirecto. Cocina y el tabaquismo se llevan a cabo utilizando indirecta calor. No hay necesidad de preocuparse por un incendio de grasa que arruine la comida. No coloque los alimentos dentro de 6" de la apertura desde la cámara de combustión en la cámara de ahumar. Una regla general para es de ahumar 1 hora por cada libra de cortes grandes de carne. Consulte a un libro de cocina para los cortes específicos de carne. Limite el número de veces que se abra el ahumar puerta de la cámara ya que esto permitirá que el calor escape y extiende el tiempo de cocinar.

### Acómo asar con astillas/trocitos de madera

Para lograr un sabor ahumado más fuerte con briquetas o carbón de madera en bloques, pruebe poner varias astillas o varios trocitos de madera en el fuego. Los trocitos de madera se venden en diversos sabores naturales, y se pueden usar solos o como un agregado al carbón. Como regla general, toda madera dura de árboles frutales o de frutos secos es adecuada para cocinar. Sin embargo, las distintas maderas tienen distintos sabores. Pruebe con maderas diferentes para decidir cuál prefiere, y use siempre madera bien seca. La madera verde o recientemente cortada puede ennegrecer la comida, y tiene sabor amargo.

### Nuestras sugerencias:

- Pollo** - Aliso, manzano, nogal americano, mezquite
- Carne de res** - Nogal americano, mezquite, roble
- Cerdo** - Madera de árboles frutales, nogal americano, roble
- Carnero** - Madera de árboles frutales, mezquite
- Ternera** - Madera de árboles frutales
- Pescado y mariscos** - Aliso, mezquite
- Verduras** - Mezquite

## Seguridad con los alimentos

La seguridad con los alimentos es una parte muy importante del disfrute de su parrillada al aire libre. Siga estos cuatro pasos básicos para proteger a los alimentos contra las bacterias nocivas:

**Limpieza:** Lávese las manos, lave los utensilios y las superficies con agua jabonosa caliente, antes y después de manipular carne cruda.

**Separación:** Mantenga las carnes separadas de los alimentos listos para comer, para evitar la contaminación cruzada. Use bandejas y utensilios limpios para servir los alimentos preparados.

**Cocción:** Cocine bien las carnes y las piezas de ave, para matar las bacterias. Use un termómetro para verificar que los alimentos alcancen la temperatura interna adecuada.

**Refrigeración:** Refrigere con prontitud los alimentos preparados y las sobras.

La experiencia en cocinar a la parrilla se adquiere con la práctica y es aconsejable que se quede junto a la parrilla mientras cocine. El asar a la parrilla es una actividad que depende de muchos factores externos. En tiempo frío, necesitará una mayor cantidad de calor para alcanzar la temperatura de cocción ideal, y puede tomar más tiempo el cocinar la carne. La temperatura interna y el grosor de la carne pueden también afectar el tiempo de cocción. Toma más tiempo cocinar los trozos de carne fríos o más gruesos.

### Temperatura interna de la carne

El exterior de las carnes preparadas a la parrilla a menudo se dora rápidamente. Por tanto, use un termómetro para carnes para verificar que la carne haya alcanzado una temperatura de cocción interna adecuada.

USDA Temperaturas Internas Mínimas Seguras Recomendadas	
Carne de vaca, Ternera, Cordero, Filetes, Asado, y Lomo de Cerdo (con 3 minutos de reposo)	145° F
Pescado	145° F
Carne, Ternera, Cordero, y Cerdo - Molido	160° F
Platos de Huevo	160° F
Turquía, Pollo y Pato Entero, Pedazos y Tierra	165° F

Consulte con el Ministerio de Agricultura de EE UU para obtener información completa y actualizada. Nuestra tabla de temperaturas se basa en las normas del Ministerio de de Agricultura de EE UU para establecer el grado de cocción de la carne. Verifiquelas en [www.isitdoneyet.gov](http://www.isitdoneyet.gov)



## GARANTÍA LIMITADA

Esta garantía es válida únicamente para las unidades adquiridas de los distribuidores autorizados. El fabricante le garantiza únicamente **al consumidor-comprador original**, que este producto no presentará defectos de mano de obra ni de materiales por el período indicado a continuación, contado desde la fecha de compra\*, si se arma correctamente y se usa en el hogar, en condiciones normales y razonables. El fabricante se reserva el derecho de exigir la devolución de las piezas defectuosas, enviadas con el porte o el flete pagado por el consumidor, para ser revisadas y examinadas.

ALCANCE DE LA COBERTURA	PLAZO DE COBERTURA	TIPO DE FALLA AMPARADA
Todas las piezas	2 Año de fecha de compra *	SOLO DEFECTOS DE PERFORACIÓN, DE FABRICACIÓN Y DE MATERIALES

\*Nota: A fecha de recibo de compra serán necesarios para el servicio de garantía.

**Son de responsabilidad del consumidor-comprador original todos los gastos de envío de las piezas cambiadas en virtud de las condiciones de esta garantía limitada.**

Esta garantía limitada es válida únicamente en Estados Unidos y en Canadá, se ofrece únicamente al propietario original del producto y es intransferible. **El fabricante exige la presentación de evidencia de la fecha de la compra. Por tanto, debe conservar el recibo o la factura de la compra.** La inscripción del producto no reemplaza al comprobante de compra, y el fabricante no se hace responsable ni está obligado a llevar un registro de dichos comprobantes.

Esta garantía limitada atañe ÚNICAMENTE al funcionamiento del producto y no ampara rayones, abolladuras, corrosión ni decoloración ocasionada por el calor, los productos de limpieza abrasivos y químicos, ni por las herramientas usadas en el armado o en la instalación del aparato, oxidación de las superficies ni decoloración de las superficies de acero inoxidable. La pintura no esta garantizada y requiera retoques. **RUST no se considera una de fabricación o materiales defecto.**

**Esta garantía limitada no ampara el costo en el que se incurra por inconvenientes, alimentos, lesiones ni daños a la propiedad.**

### EL FABRICANTE NO PAGARÁ LOS SIGUIENTES RUBROS:

1. El costo de envío normal o acelerado de piezas y repuestos amparados por la garantía
2. Las llamadas de servicio técnico a domicilio.
3. Reparaciones de productos que hayan sido usados para fines distintos a los normales, en casas de más de una familia o no domésticos.
4. Daños, fallas, o dificultades para hacerlo funcionar, ocasionadas por accidentes, modificaciones, manipulación descuidada, uso indebido, abuso, incendio, inundación, casos fortuitos, instalación o mantenimiento inadecuados o que no se realicen de conformidad con las disposiciones de los códigos de instalaciones eléctricas o sanitarias, o uso de productos no autorizados por el fabricante.
5. Pérdida de alimentos debidos a fallas del producto o a la dificultad para hacerlo funcionar.
6. El costo de las piezas de repuesto ni de la mano de obra para la reparación de unidades instaladas fuera de Estados Unidos o de Canadá.
7. La recogida y el envío de su producto.
8. Las reparaciones de piezas o de sistemas que hayan sufrido daños por alteraciones no autorizadas hechas en el producto.
9. La remoción y/o la reinstalación de su producto.

### ESTIPULACIONES DE EXONERACIÓN DE GARANTÍAS IMPLÍCITAS; LIMITACIÓN DE LOS RECURSOS

El único recurso del que usted dispone en virtud de esta garantía limitada es la reparación o el cambio de las piezas defectuosas. En cas de problèmes de disponibilité des pièces, le constructeur se réserve le droit de remplacer des pièces similaires qui sont également fonctionnels. El fabricante no será responsable por ningún tipo de daño accesorio o indirecto ocasionado por el incumplimiento de lo estipulado ya sea en esta garantía limitada o en alguna garantía implícita pertinente, ni por las fallas o los daños ocasionados por actos fortuitos, cuidado y mantenimiento inadecuados, fuego provocado por la grasa, accidentes, modificaciones, cambio de piezas por cualquier persona que no sea el fabricante, uso indebido, transporte, uso con fines comerciales, abuso, ambientes hostiles (condiciones inclementes del tiempo, fenómenos naturales, acción de los animales), instalación inadecuada o instalación que no se realice de conformidad con las disposiciones de los códigos locales o las instrucciones impresas del fabricante.

ESTA GARANTÍA LIMITADA ES LA ÚNICA GARANTÍA EXPLÍCITA OFRECIDA POR EL FABRICANTE. EL FABRICANTE NO GARANTIZA NINGUNA ESPECIFICACIÓN O DESCRIPCIÓN DE RENDIMIENTO DEL PRODUCTO, INDEPENDIENTEMENTE DEL LUGAR DONDE APAREZCAN, SALVO EN LA MEDIDA SEÑALADA EN ESTA GARANTÍA LIMITADA. POR EL PRESENTE, EL PLAZO DE VIGENCIA DE LA PROTECCIÓN QUE OTORGAN LAS GARANTÍAS IMPLÍCITAS, EN VIRTUD DE LAS LEYES DE CUALQUIER ESTADO, INCLUYENDO LA GARANTÍA IMPLÍCITA ACERCA DE LA IDONEIDAD DEL PRODUCTO PARA SU COMERCIALIZACIÓN O PARA ALGÚN PROPÓSITO DETERMINADO, QUEDA LIMITADO AL PLAZO DE VIGENCIA DE ESTA GARANTÍA LIMITADA.

**Ni los distribuidores, ni el negocio minorista que vende este producto, están autorizados para ofrecer ninguna garantía ni para prometer recursos adicionales o incongruentes con los arriba indicados.** En todo caso, el límite máximo de responsabilidad del fabricante no será mayor que el precio de compra pagado por el consumidor original.

NOTA: Algunos estados no permiten la exclusión ni la limitación de daños accesorios o indirectos, de manera que es posible que las limitaciones o exclusiones arriba señaladas no correspondan en su caso. Esta garantía le otorga derechos específicos, señalados aquí. Es posible que usted tenga otros derechos que pueden variar de un estado a otro. Sólo en el estado de California, en el caso en que no sea comercialmente viable reparar o cambiar el acabado del producto, el minorista que vende este producto o el fabricante le reembolsarán el precio de compra pagado por el mismo, menos la cantidad directamente atribuible al uso dado por el consumidor-comprador original, antes de haber descubierto la falla. Además, y únicamente en el estado de California, usted podrá llevar el producto al negocio minorista que venda este producto para solicitar servicios en virtud de esta garantía limitada.

**Si desea obtener algún servicio en virtud de esta garantía limitada, debe dirigir su correspondencia a:**  
**Consumer Relations**  
**P. O. Box 1240**  
**Columbus, GA 31902-1240**

No se aceptarán las devoluciones por parte del consumidor a menos que haya obtenido primero una autorización válida de devolución. Debe rotular de manera legible la parte exterior del paquete de devolución autorizada con su número de autorización de devolución y remitir dicho paquete con el flete o el porte pagado. Se rechazará toda devolución del consumidor que no cumpla con las reglas anteriores.

## PARTS LIST

Key	Qty	Description
1	1	FIREBOX LID HANDLE
2	1	FRAME STAND, BANDERA
3	1	SMOKE STACK ASSEMBLY
4	1	FIREBOX LID
5	1	FIREBOX BODY
6	1	AXLE, WHEEL
7	1	FIREBOX CLEAN OUT DOOR
8	1	SMOKE CHAMBER
9	1	SMOKE CHAMBER DOOR
10	1	WIRE FRONT SHELF
11	1	DAMPER, LOUVER FIRE BOX DOOR
12	4	FIREBOX SHELF BRACKET
13	1	DAMPER, SMOKE STACK
14	2	RIB RACK
15	1	LOUVER ROD
16	2	WATER PAN BRACKET
17	1	ASH PAN
18	1	WATER PAN
19	3	HANDLE SPRING
20	2	MEAT HOOK
21	1	FIRE GRATE
22	2	WHEEL, 10"
23	4	PORCELAIN COOKING GRATE
24	2	FIREBOX/SMOKE CHAMBER BRACKET
25	1	FIREBOX LID STOP/HINGE
26	2	AXLE BUSHING
27	2	LEG EXTENDER
28	1	DOOR HANDLE, SMOKER DOOR
29	1	DOOR HANDLE, CHARCOAL DOOR
30	1	BAFFLE, F/ SMOKER CHAMBER
31	1	TEMPERATURE GAUGE

### NOT Pictured

...	1	HARDWARE PACK
...	1	ASSEMBLY MANUAL, ENGLISH, SPANISH

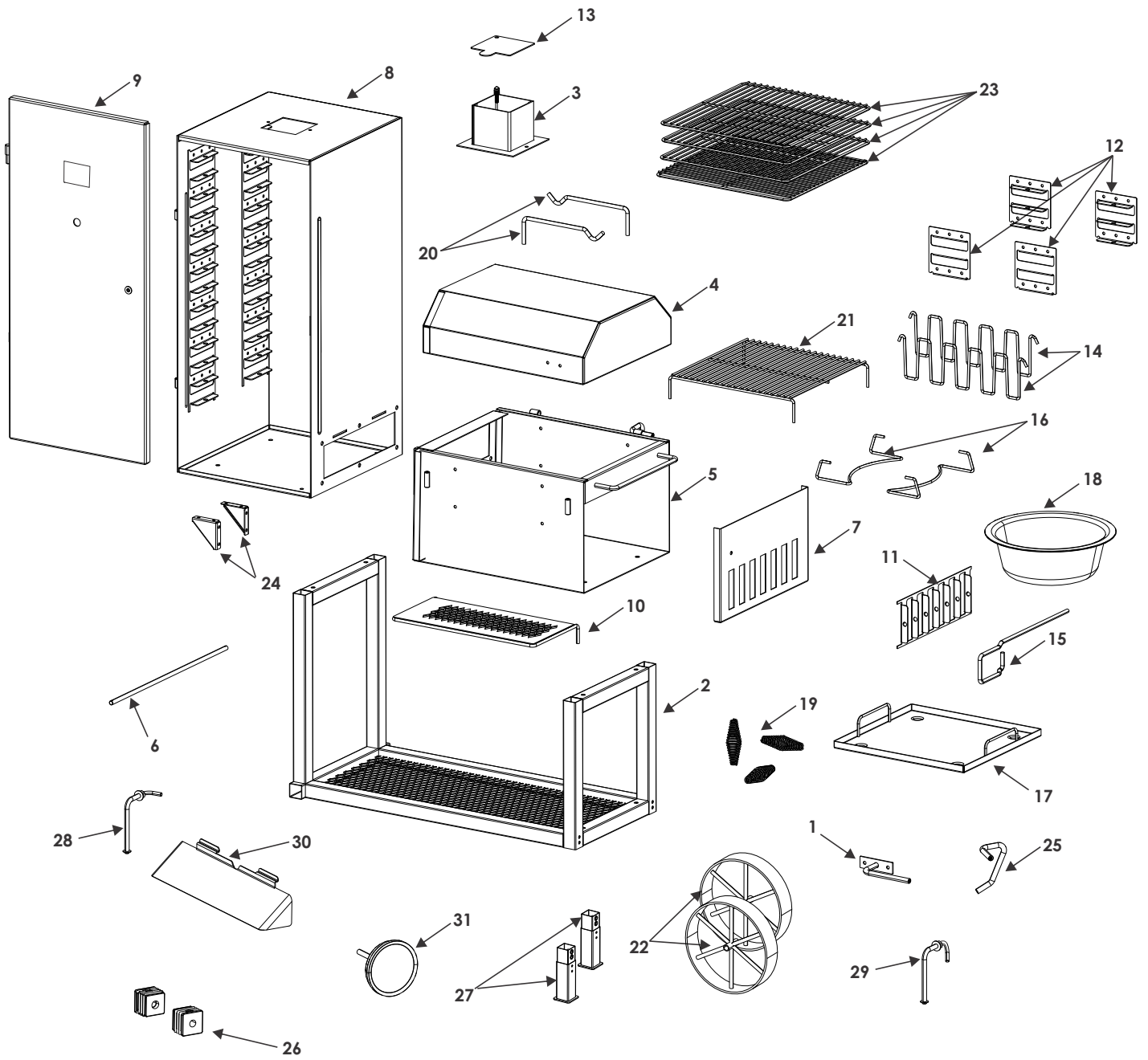
## LISTA DE PIEZAS

Clv.	Cant.	Descripción
1	1	FUEGO MANGO CAJA MIEMBROS
2	1	MARCO, BANDERA
3	1	CHIMENEA ASAMBLEA
4	1	FUEGO CAJA DE MIEMBRO
5	1	FUEGO CAJA DE CUERPO
6	1	EJE, RUEDA
7	1	FUEGO CAJA LIMPIAR PUERTA
8	1	FUMADOR CÁMARA
9	1	FUMADOR CÁMARA DE PUERTA
10	1	ALAMBRE DELANTERO REPISA
11	1	AMORTIGUADOR, PUERTA VENT FUEGO CAJA
12	4	FUEGO CAJA SOPORTE REPISA
13	1	AMORTIGUADOR, CHIMENEA
14	2	RACK PARA COSTILLAS
15	1	VENTANILLAS ROD
16	2	AGUA PAN SOPORTE
17	1	PAN DE CENIZAS
18	1	PAN DE AGUA
19	3	PRIMAVERA DEL MANGO
20	2	GANCHO CARNICERO
21	1	FUEGO DE PARRILLA
22	2	RUEDA, 10 "
23	4	PORCELANA PARRILLA DE COCCIÓN
24	2	CAJA DE FUEGO / FUMADOR CÁMARA SOPORTE
25	1	CAJA DE FUEGO MIEMBRO STOP / BISAGRA
26	2	BUJE EJE
27	2	LA PIERNA AMPLIACIÓN
28	1	TIRADOR DE PUERTA, POR FUMADOR
29	1	TIRADOR DE PUERTA, POR CARBÓN
30	1	DESVIADOR, PARA EL FUMADOR CÁMARA
31	1	INDICADOR DE TEMPERATURA

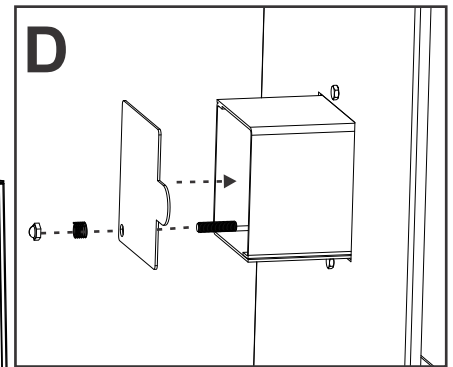
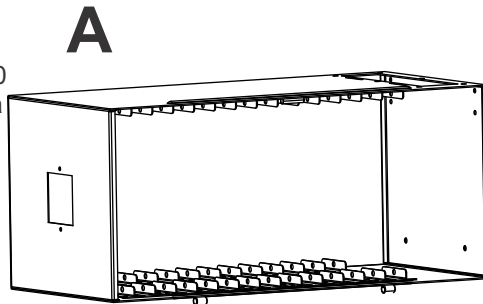
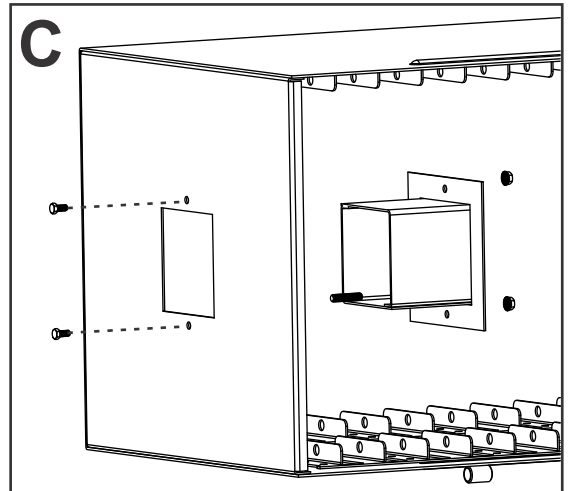
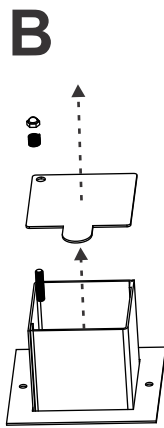
### No se ilustran

...	1	PAQUETE DE HERRAJES
...	1	MANUAL DE MONTAJE, INGLÉS, ESPAÑOL

**PARTS DIAGRAM | DIAGRAMA DE PIEZAS**

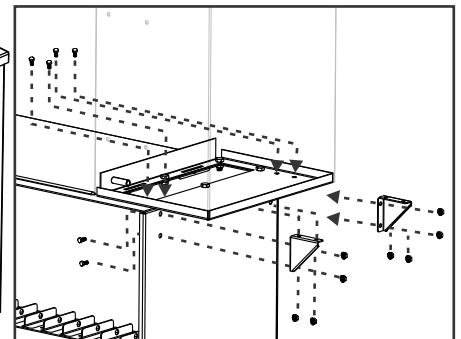
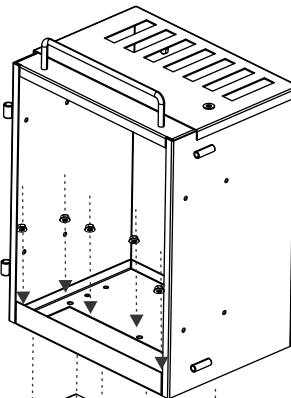


- 1**
- Lay smoker chamber on its side with rectangle opening facing up, shown **A**
  - Remove Damper from Smokestack, shown **B**.
  - Slide smokestack into opening in top of smoke chamber as shown. Attach with two 1/4-20x1/2" screws from outside the smoker chamber and two 1/4-20 nuts from inside the smoker chamber. Shown **C**.
  - Place damper onto damper pin. Install spring on to the damper pin, followed by attaching the damper pin nut. Shown **D**

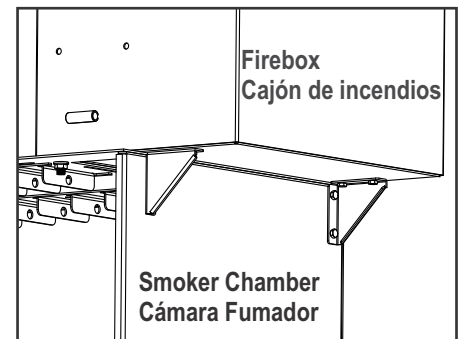
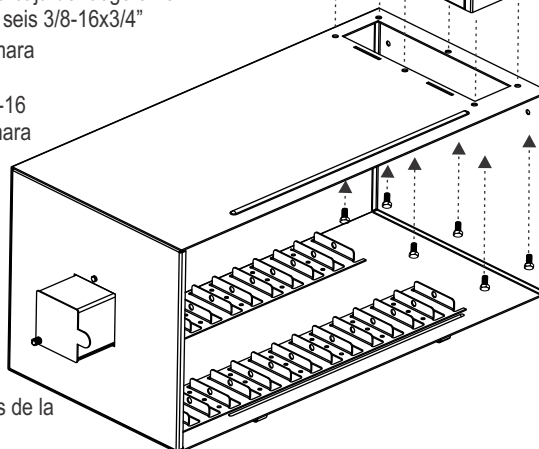


- Coloque la cámara fumador en su lado con apertura rectángulo hacia arriba, se muestra un **A**.
- Retire el amortiguador de chimeneas, que se muestra **B**.
- Deslice la chimenea en la abertura en la parte superior de la cámara de humo como se muestra. Sujete con dos tornillos de 1/4-20x1/2" de fuera de la cámara de fumador y dos 1/4-20 tuercas desde el interior de la cámara de fumador. Se muestra **C**.
- Coloque amortiguador sobre el pasador de amortiguador. Instale la primavera en el pin amortiguador, seguido uniendo la tuerca perno amortiguador. Se muestra **D**.

- 2**
- Place firebox onto smoker chamber and align the rectangular openings.
  - Have a helper hold the firebox in place while inserting six 3/8-16x3/4" screws from inside of smoke chamber into the firebox. Attach with six 3/8-16 nuts from inside firebox.
  - Place firebox brackets into position while inserting four 1/4-20x1/2" screws per bracket. Insert two screws from inside the firebox, and the other two screws from inside the smoker chamber.
  - Attach with four 1/4-20 flange nuts per bracket.
  - **Tighten all screws securely.**



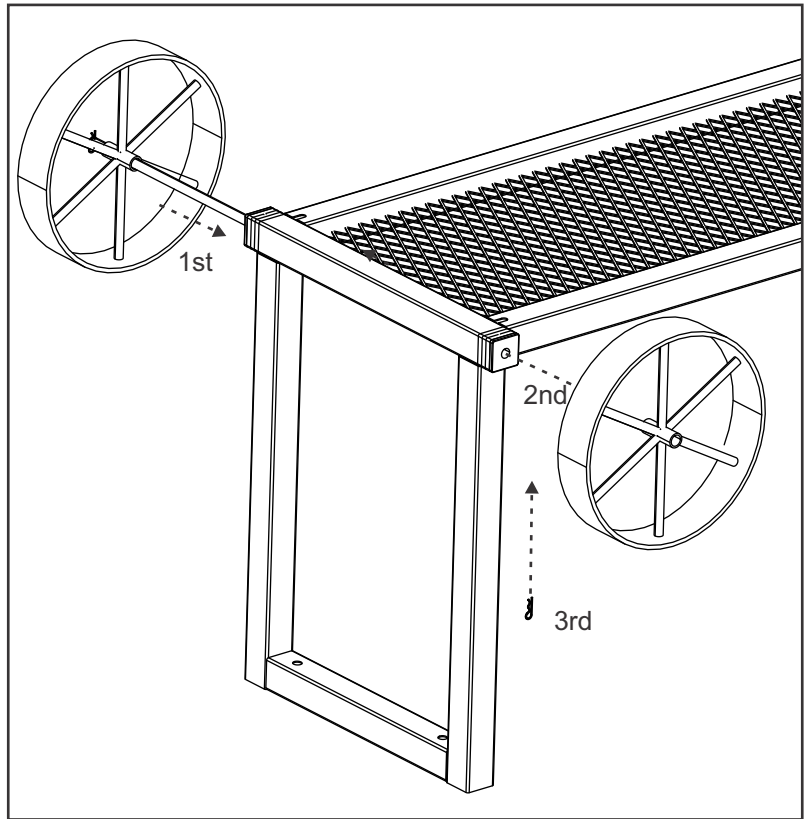
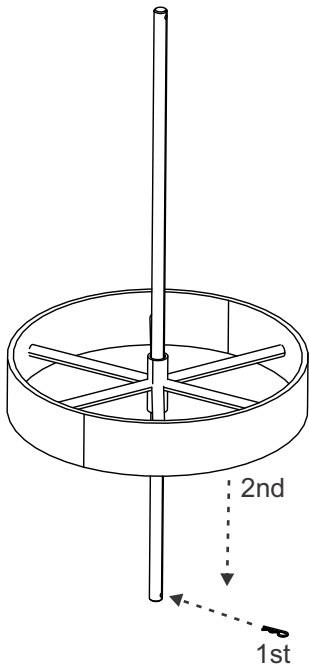
- Coloque la cámara de combustión en la cámara de fumador y alinear las aberturas rectangulares.
- Tener un ayudante que sostenga la caja de fuego en el lugar mientras que la inserción de seis 3/8-16x3/4" tornillos desde el interior de la cámara de humo en la cámara de combustión. Conecte con seis 3/8-16 tuercas desde el interior de la cámara de combustión.
- Coloque los soportes fogones en su posición mientras se inserta cuatro 1/4-20x1/2" tornillos por soporte. Inserte dos tornillos desde el interior de la cámara de combustión, y los otros dos tornillos desde el interior de la cámara de fumador.
- Conecte con cuatro 1/4-20 tuercas de la brida por soporte.
- **Apriete todos los tornillos.**



Firebox Brackets shown installed  
Soportes caja de incendios que aparecen instalados

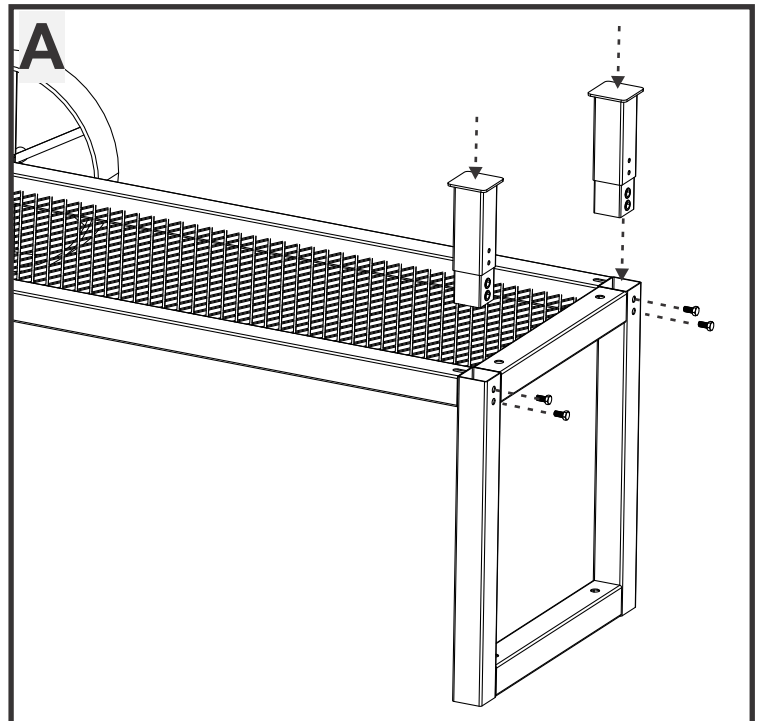
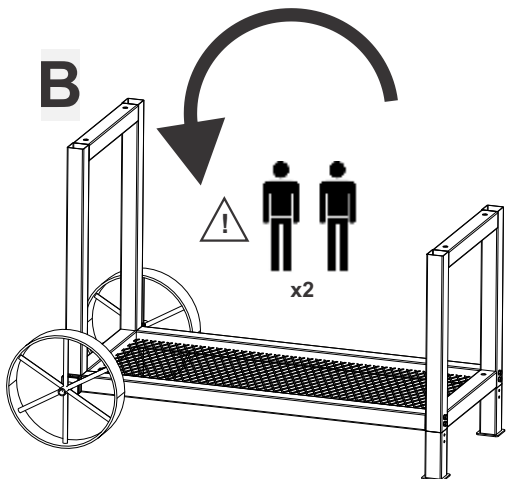
# 3

- Insert a hitch pin clip into the hole at one end of the axle. Place a wheel onto the axle and insert the axle into the grill stand.
- Add remaining wheel and secure with another hitch pin clip
- Inserte un clip pasador de enganche en el agujero en un extremo del eje. Coloque una rueda en el eje e introduzca el eje en el soporte de la parrilla.
- Añadir otra rueda y seguro con otro alfiler clip de enganche



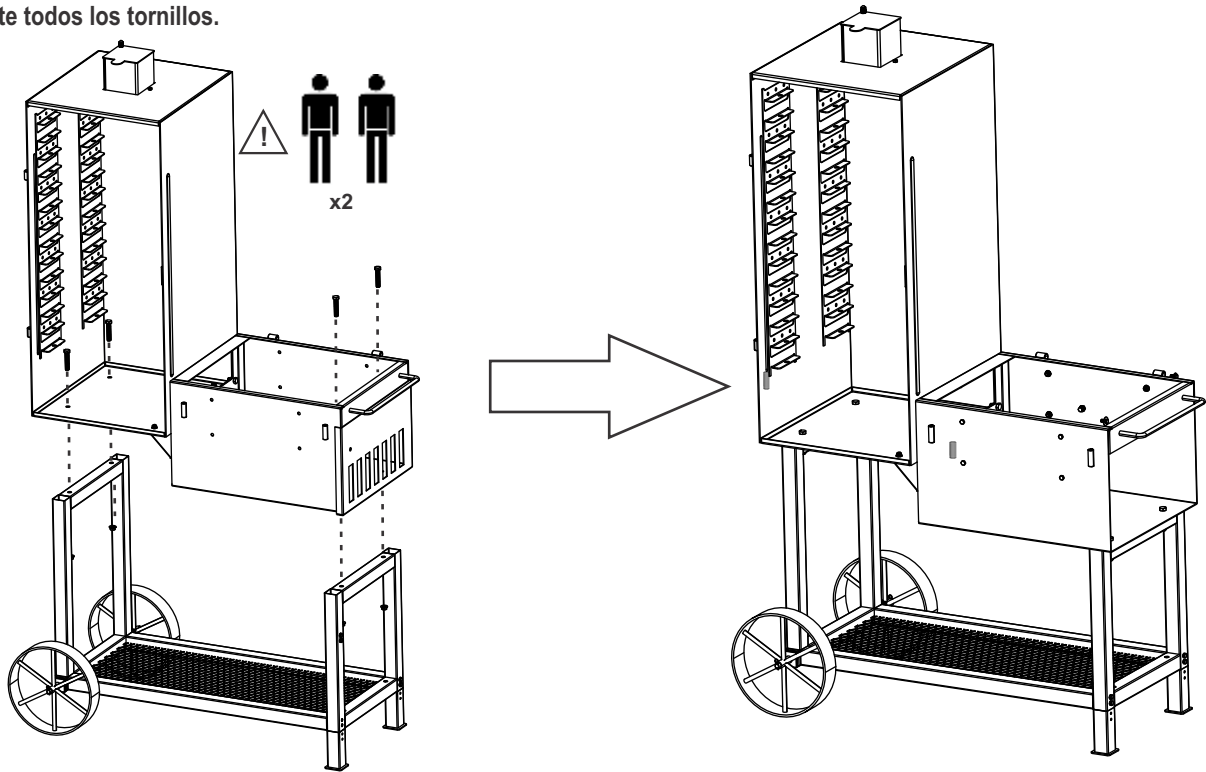
# 4

- Insert the leg extenders into the square tubing. Shown **A**
- Secure the leg extenders with two 1/4-20x1/2" screws per leg extender.
- Tighten screws securely.
- With the aid if a helper - turn the cart over onto the wheels. Shown **B**
- Inserte los extensores de las piernas en el tubo cuadrado. Se muestra **A**.
- Asegure los extensores de las piernas con dos 1/4-20x1/2 tornillos "por extensor de pata.
- Apriete los tornillos.
- Con la ayuda si un ayudante - girar el carro encima sobre las ruedas. Se muestra **B**.



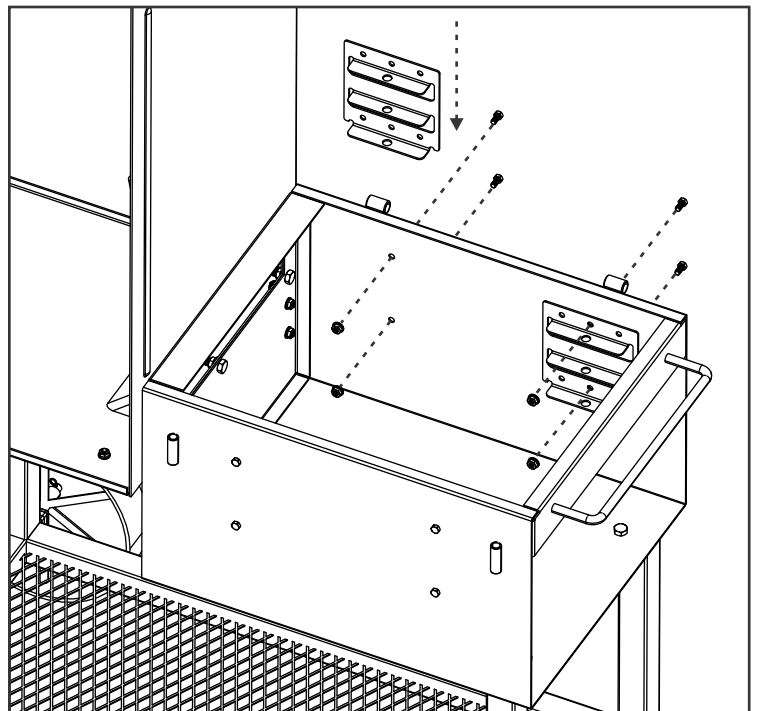
# 5

- With the aid of a helper, place firebox/smoke chamber onto cart assembly.
- Have the helper hold the firebox/smoke chamber in place while inserting two 3/8-16x2" screws from inside of firebox into cart assembly and two 3/8-16x 2" screws from inside smoker chamber. Secure with four 3/8-16 nuts.
- **Tighten all screws securely.**
- Con la ayuda de otra persona, coloque la cámara de combustión cámara / humo sobre el carrito asamblea.
- Haga que el ayudante que sostenga la cámara de caja de fuego/humo en el lugar mientras que la inserción de dos 3/8-16x2 "tornillos desde el interior de la cámara de combustión en el carro de montaje y dos 3/8-16x 2" tornillos desde el interior de la cámara de fumador. Asegure con cuatro 3/8- 16 tuercas.
- **Apriete todos los tornillos.**



# 6

- Attach the four adjustable shelf brackets to the inside of the firebox using two 1/4-20x1/2" screws and two 1/4-20 nuts for each bracket.
- Insert the screws from outside the firebox as shown.
- **Tighten all screws securely.**
- Inserte los cuatro soportes de estantes ajustables en el interior de la cámara de combustión con dos tornillos de 1/4-20x1/2 "y dos 1/4-20 tuercas para cada soporte.
- Inserte los tornillos de fuera de la caja de fuego como se muestra.
- **Apriete todos los tornillos.**



- 7**
- Place the fire grate onto the ash pan.
  - Open the firebox door, if attached, and slide the ash pan into the bottom of the firebox.
  - Place one of the porcelain grates on the highest shelf bracket in the firebox when using the firebox for cooking.

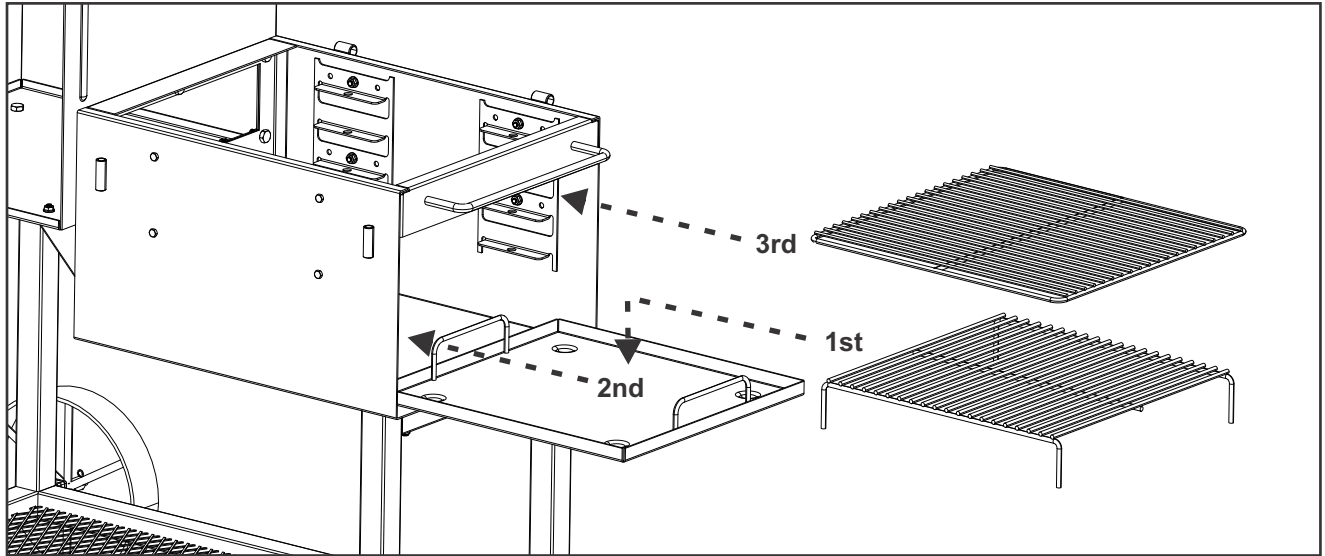
**NOTE:**

To adjust the porcelain grate to a lower shelf position, you must insert it from the side through the firebox door.

- Coloque la rejilla de fuego en el cenicero.
- Abra la puerta de la cámara de combustión, si lo hay, y deslice la bandeja de ceniza en la parte inferior de la caja de fuego.
- Coloque una de las rejillas de porcelana en el soporte de estante más alto de la caja de fuego cuando se utiliza la caja de fuego para cocinar.

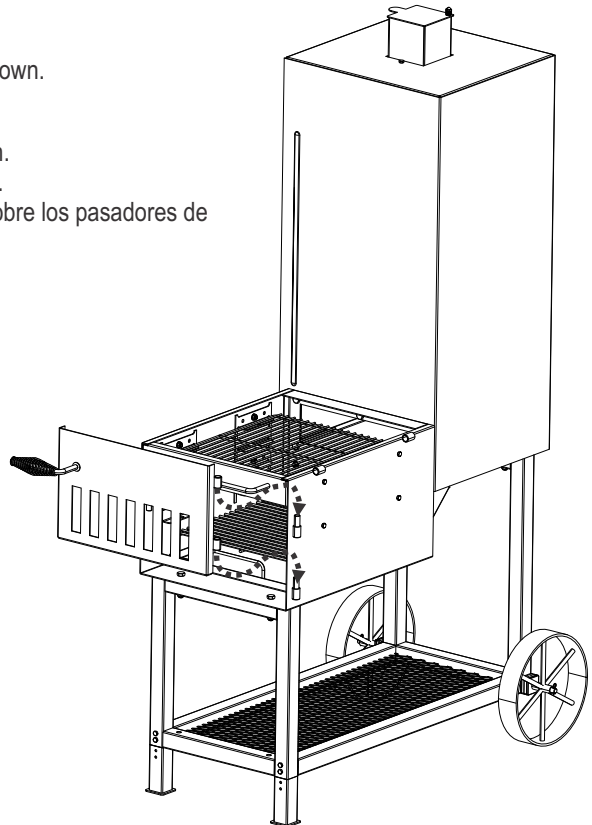
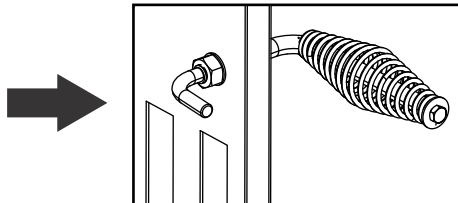
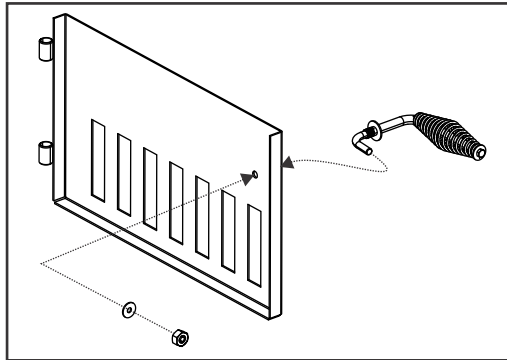
**NOTA:**

Para ajustar la rejilla de porcelana a una posición estante inferior, debe insertar desde el lado a través de la puerta de la cámara de combustión.



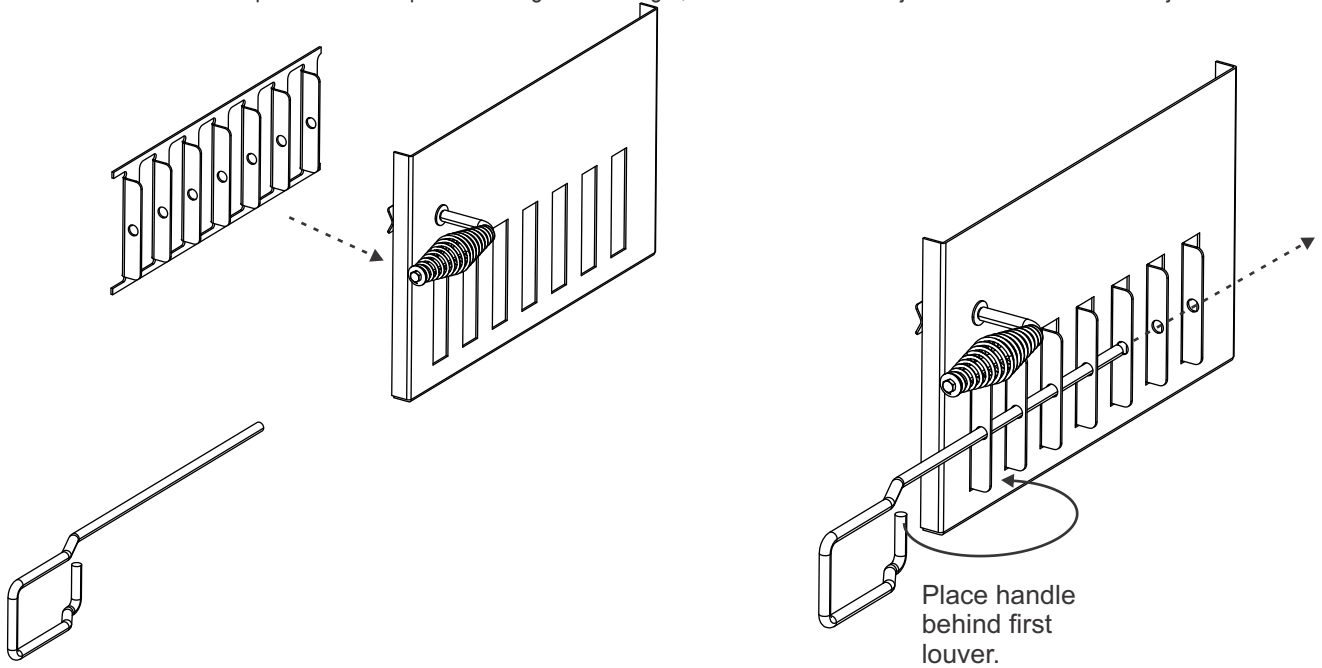
- 8**
- Disassemble the nut and washer from the firebox handle.
  - Install handle onto firebox door as shown below.
  - Reassemble all hardware in order shown below.
  - If your firebox door is not installed, slip it on the firebox hinge pins as shown.

- Desmontar las tuerca y arandela de la manija cámara de combustión.
- Instale la manija en la puerta del fogón como se muestra a continuación.
- Volver a montar todas las piezas en orden que se indica a continuación.
- Si la puerta de la cámara de combustión no está instalado, deslizarlo sobre los pasadores de bisagra caja de fuego como se muestra.



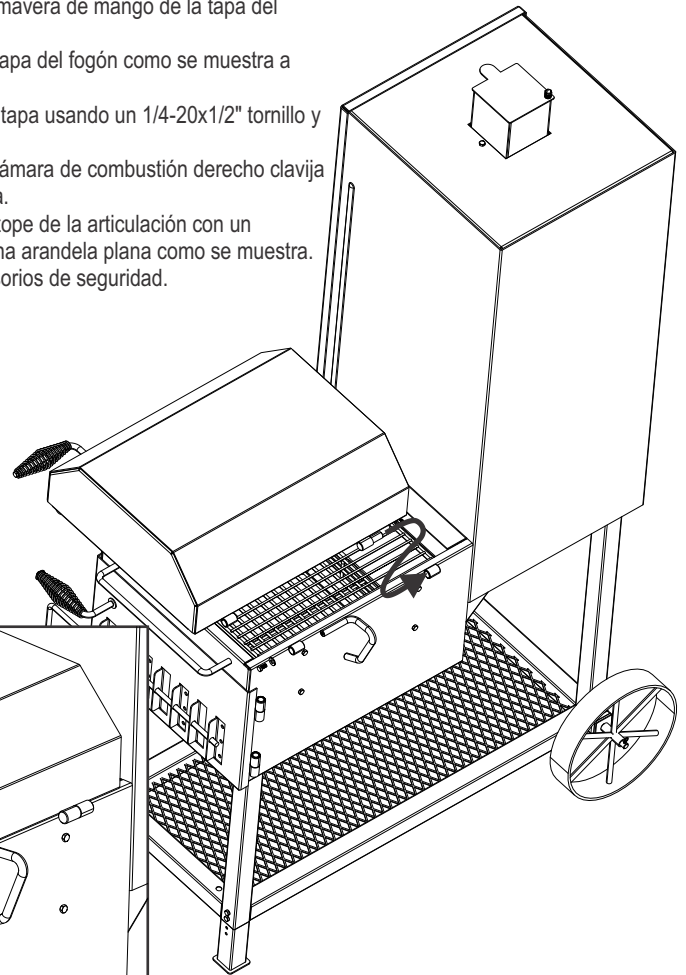
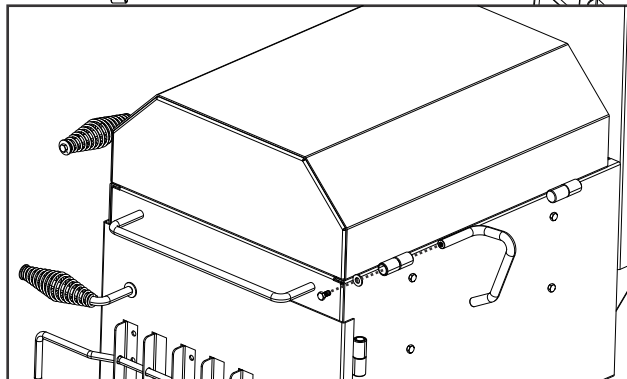
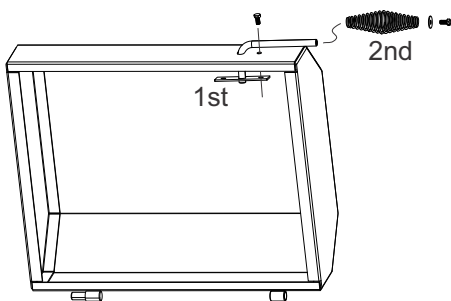
# 9

- Open the firebox door and insert the firebox door louvers into the slots as shown.
- While holding the firebox door louvers in place, insert the louver rod into the holes in the louvers.
- Abra la puerta de la cámara de combustión e insertar las persianas de la puerta del fogón en las ranuras como se muestra.
- Mientras mantiene las persianas de la puerta del fogón en su lugar, inserte la varilla de rejilla en los orificios de las rejillas.



# 10

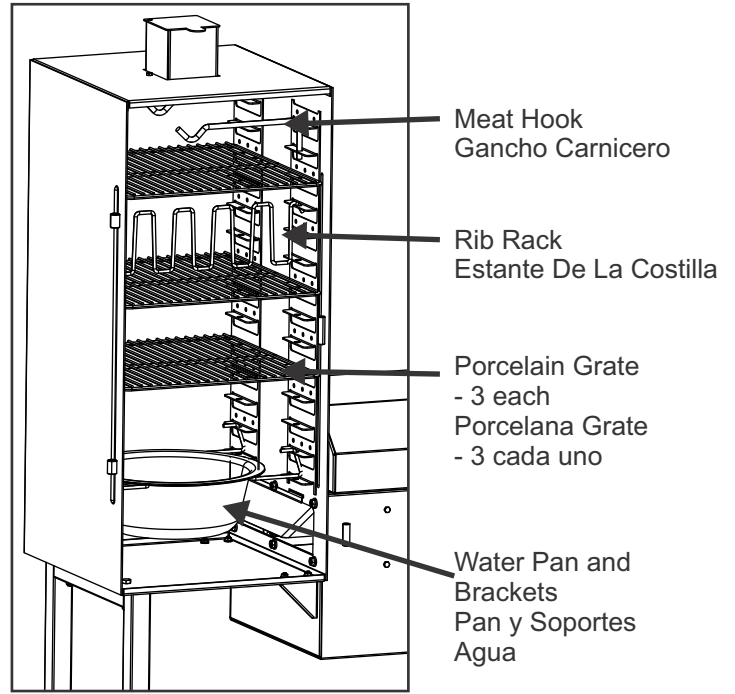
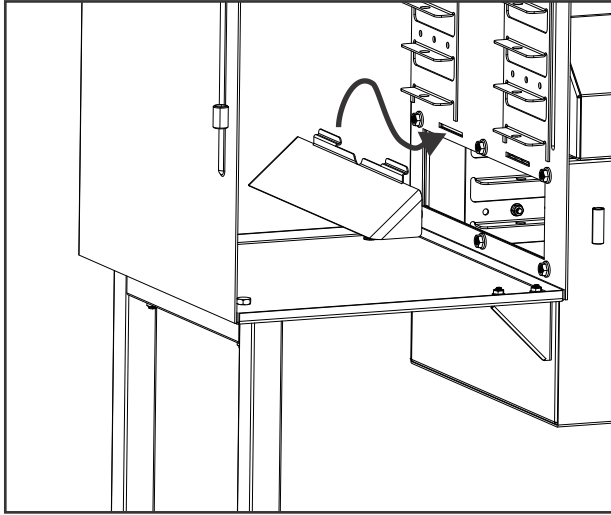
- Remove handle spring from firebox lid handle.
- Install handle into firebox lid as shown below.
- Attach handle to lid using one 1/4-20x1/2" screw and one 1/4-20 nut.
- Place lid onto right firebox lid hinge pin.
- Secure firebox lid stop hinge with one 1/4-20x1/2" screw and one flat washer as shown.
- Tighten all hardware securely.
- Remueva el mazo primavera de mazo de la tapa del fogón.
- Instale la manija en la tapa del fogón como se muestra a continuación.
- Conecte manubrio a la tapa usando un 1/4-20x1/2" tornillo y un 1/4-20 tuerca.
- Coloque la tapa en la cámara de combustión derecho clavija de la tapa de la bisagra.
- Secure tapa del fogón tope de la articulación con un 1/4-20x1/2" tornillo y una arandela plana como se muestra.
- Apriete todos los accesorios de seguridad.





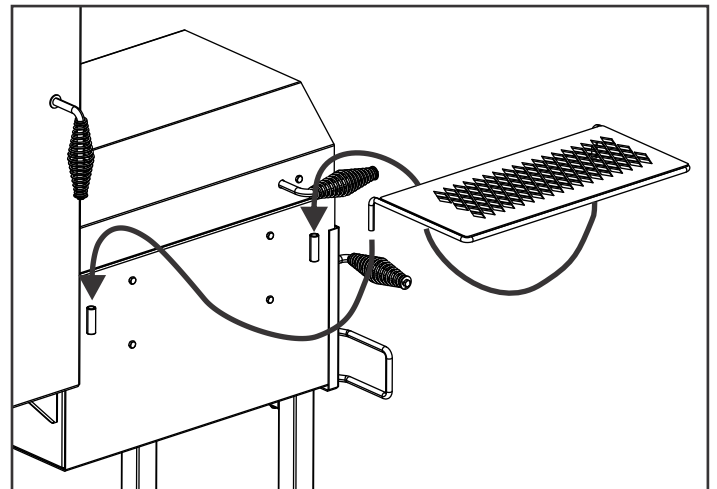
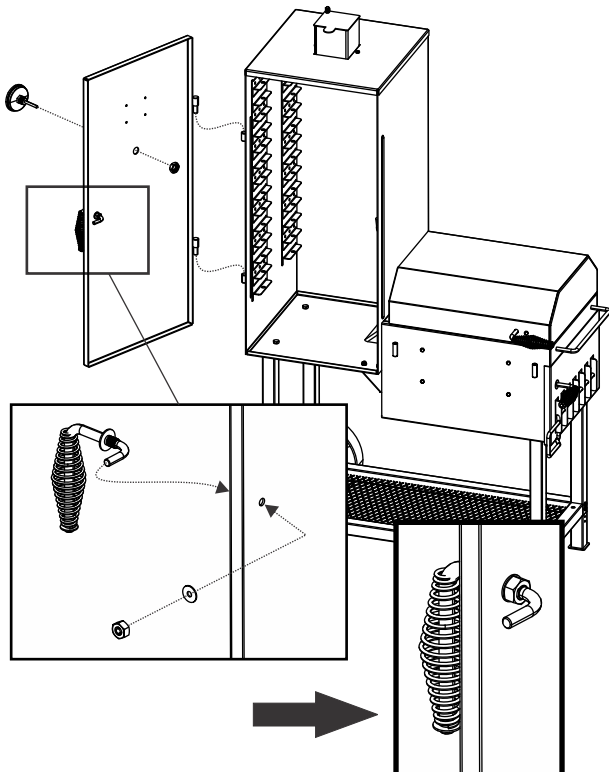
# 11

- Insert the smoke chamber baffle into the smoke chamber, engaging the baffle tabs into the smoke chamber slots, shown below.
- Place water pan brackets into bottom racks on smoker chamber. Place water pan onto brackets.
- Place meat hooks and rib racks into holes at desired levels in smoker chamber.
- Place remaining three porcelain grates at desired levels.
- Inserte el deflector de cámara de humo en la cámara de humo, con la participación de las pestañas del deflector en las ranuras de cámara de humo, que se muestran a continuación.
- Coloque los soportes cacerola agua en bastidores inferiores de cámara de fumador. Coloque la bandeja de agua en los soportes.
- Coloque los ganchos de carne y bastidores de costillas en los agujeros en los niveles deseados en la cámara fumador.
- Coloque restante tres rejillas de porcelana en los niveles deseados.



# 12

- Hang smoker chamber door onto hinge pins on smoker chamber.
- Disassemble the nut and washer from the smoker chamber handle.
- Install handle onto smoker chamber door as shown below.
- Reassemble all hardware in order shown below.
- Install temperature gauge on smoke chamber door and secure from the rear of door with nut.
- Place front shelf legs into bushings on the front of the firebox.
- Cuelgue puerta de la cámara fumador en pivotes de cámara fumador.
- Desmontar las tuerca y arandela de la manija cámara fumador.
- Instale la manija en puerta de la cámara fumador como se muestra a continuación.
- Volver a montar todas las piezas en orden que se indica a continuación.
- Instale indicador de temperatura en la puerta de cámara de humo y seguros frente a la parte trasera de la puerta con la tuerca.
- Coloca piernas estantes delanteros en los bujes de la parte frontal de la cámara de combustión.

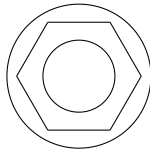


## HARDWARE LIST

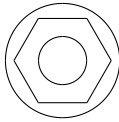
## LISTA DE HARDWARE

Hardware is shown close to actual size. You may have spare hardware after assembly is complete.

Hardware se muestra cercano a tamaño real. Usted puede tener hardware de repuesto después de armarla.



3/8-16  
Flange Nut  
Brida Tuerca  
Qty./Cant. 10



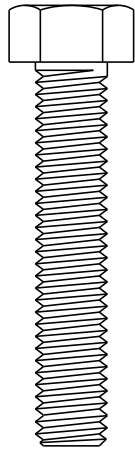
1/4-20  
Flange Nut  
Brida Tuerca  
Qty./Cant. 19



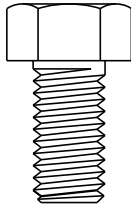
Small  
Flat Washer  
Pequeño  
Arandela plana  
Qty./Cant. 1



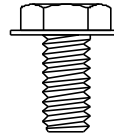
Hitch Pin Clip  
Clavija De Enganche  
Qty./Cant. 2



3/8-16x2"  
Hex-Head Bolt  
Tornillo Hexagonal  
Qty. / Cant. 4



3/8-16x3/4"  
Hex-Head Bolt  
Tornillo Hexagonal  
Qty./Cant. 6



1/4-20x1/2"  
Hex-Head Screw  
Tornillo Hexagonal  
Qty./Cant. 24

# Three convenient ways to register your product: Trois façons pratiques d'enregistrer votre produit: Tres formas convenientes de registrar su producto:

- 1 Online  
En ligne  
En línea

[www.charbroil.com/register](http://www.charbroil.com/register)

- 2 FOR US ONLY



Text "Register" to "GRILLS" (474557)  
Envíe un mensaje de texto con la palabra  
"Register" a "GRILLS" (474557)

- 3 By mail | Par la poste | Por correo

PLEASE FILL OUT THIS CARD AND ATTACH A COPY OF YOUR SALES RECEIPT. RETURN IT WITHIN 10 DAYS OF PURCHASE. FOR WARRANTY SERVICE PROOF OF PURCHASE WILL BE REQUIRED. THIS WARRANTY IS NON-TRANSFERABLE.

LENE ESTA TARJETA Y DEVUELVALA DENTRO DE LOS 10 DIAS DE LA COMPRA. PARA EL SERVICIO DE GARANTIA ES NECESARIO QUE PRESENTE SU COMPROBANTE DE COMPRA. CONSERVE LA FACTURA. ESTA GARANTIA ES INTRANSFERIBLE.

VEUILLEZ COMPLETER CETTE CARTE ET LA RETOURNER DANS LES 10 JOURS SUIVANT L'ACHAT. POUR OBTENIR LE SERVICE SOUS GARANTIE, UNE PREUVE D'ACHAT DOIT ETRE PRESENTEE. VEUILLEZ CONSERVER VOTRE FACTURE. LA PRESENTE GARANTIE N'EST PAS TRANSFERABLE.

\*Required | Necesario | Exigé

~ PLEASE PRINT ~ IMPRIMA POR FAVOR ~ S'IL VOUS PLAÎT IMPRIMER ~

\* 1. First Name | Nombre | Prénom

Initial | Inicial | Initiale

Last Name | Apellido | Nom de Famille

Address (number & street) | Dirección (número y calle) | Adresse (numéro et rue)

Apt Number | N° de apart | N° d'app't.

City | Ciudad | Ville

State | Estado | Province

Zip Code | Código Zip | Code Postal

\* 2. E-mail Address | Dirección de correo electrónico | Adresse électronique

\* 3. Phone Number | Número telefónico | Numéro de téléphone

\* 4. Model Number | Número de modelo | Numéro de modèle

Serial Number | Número de serie | Numéro de série



STICKER ON PRODUCT

\* 5. Attach copy of your sales receipt here.

Adjunte aqui la copia de su recibo de compra

Veillez attacher une copie de votre reçu ici.

6. Date of Purchase | Fecha de compra | Date de l'achat

\$

7. Store Name | Nombre de la tienda | Nom du magasin

8. Purchase Price | Precio de compra | Prix d'achat

9. Your Gender | Sexo | Sexe:

- Male | Masculino | Masculin  
 Female | Femenino | Féminin

10. Which product are you registering?

¿Qué producto está registrando?  
Quel produit enregistrez-vous?

1.  Gas Grill | Parrilla a gas | Gril au gaz  
2.  Electric Grill | Parrilla eléctrica | Gril électrique  
3.  Smoker | Ahumador | Fumoir  
4.  Charcoal Grill | Parrilla a carbón | Barbecue au charbon  
5.  Cooker/Fryer | Cocina/freidora | Cuiseur/Friteuse  
6.  Other | Otro | Autre

Mail to: / Enviar a: / Envoyer à :

Char-Broil Warranty Registration  
P.O. Box 1240  
Columbus, GA 31902-1240

We respect your privacy. | Respetamos su privacidad. | Nous respectons votre vie privée.

- If you prefer not to receive special offers and promotions from Char-Broil, please check here:
- Marque aquí si no desea recibir ofertas y promociones especiales de Char-Broil:
- Si vous préférez ne pas recevoir d'informations concernant des offres spéciales et des promotions de Charbroil, veuillez cocher ici:

Thank you for completing this questionnaire. | Gracias por completar este cuestionario. | Merci d'avoir bien voulu remplir ce questionnaire.

