

**OKLAHOMA
JOE'S**

Product Guide

Models 13201747-05
13201714-50

Longhorn[®] Offset Smoker

Tools needed for assembly:
Phillips screwdriver
Adjustable wrenches

IMPORTANT: Fill out the product record information below.

Date Purchased _____



FOR OUTDOOR USE ONLY



WARNING



CARBON MONOXIDE HAZARD

Burning charcoal inside can kill you. It gives off carbon monoxide, which has no odor. NEVER burn charcoal inside homes, vehicles, or tents.



WARNING



Failure to follow all manufacturer's instructions could result in serious personal injury and/or property damage.

INSTALLER/ASSEMBLER:

Leave this manual with consumer.

CONSUMER:

Keep this manual for future reference.



CAUTION



Read and follow all safety statements, assembly instructions, and use and care directions before attempting to assemble and cook.



CAUTION



Some parts may contain sharp edges! Wear protective gloves if necessary.



CAUTION



THIS UNIT IS HEAVY! DO NOT attempt to assemble without a helper.

If you have questions or need assistance during assembly, please call 1-800-241-7548.

To insure your satisfaction and for follow-up service, register your appliance online at www.charbroil.com/register

TABLE OF CONTENTS

Product Record Information	1
For Your Safety	2
Safety Symbols	2
Preparing to use your Smoker	3
Cooking Tips	4
Smoker Maintenance	5
Limited Warranty	6
Hardware List	7
Parts List/ Parts Diagram	8
Assembly	9-14
Registration Card	15



This instruction manual contains important information necessary for the proper assembly and safe use of the appliance.



Follow all warnings and instructions when using the appliance.

Safety Symbols



The symbols and boxes shown below explain what each heading means. Read and follow all of the messages found throughout the manual.



	DANGER	
<p>DANGER: Indicates an imminently hazardous situation which, if not avoided, will result in death or serious injury.</p>		


	WARNING	
<p>WARNING: Indicates a potentially hazardous situation which, if not avoided, could result in death or serious injury.</p>		

	CAUTION	
<p>CAUTION: Indicates a potentially hazardous situation or unsafe practice which, if not avoided, may result in minor or moderate injury.</p>		

	WARNING	
<p>FAILURE TO READ AND FOLLOW INSTRUCTIONS FOR LIGHTING CHARCOAL MAY RESULT IN SERIOUS PERSONAL INJURY AND OR PROPERTY DAMAGE.</p>		

	WARNING	
<p>Most surfaces on this unit are hot when in use. Use extreme caution. Keep others away from unit Always wear protective clothing to prevent injury.</p> <p>Keep children and pets away.</p> <p>Do not move this unit during operation.</p> <p>Never substitute gasoline, kerosene or alcohol for charcoal starter. In some states, the use of charcoal starter is prohibited by law. In this case, paraffin-based starter cubes can be substituted for charcoal starter. Never use charcoal starter fluid with an electric starter.</p>		

	WARNING	
<p>CALIFORNIA PROPOSITION 65</p> <ol style="list-style-type: none">1. Combustible by-products produced when using this product contains chemicals known to the State of California to cause cancer, birth defects, or other reproductive harm.2. This product contains chemicals, including lead and lead compounds, known to the State of California to cause cancer, birth defects or other reproductive harm. <p><i>Wash your hands after handling this product.</i></p>		

	WARNING	
<p>All surfaces can be hot during use. Use protection as required to prevent burning.</p> <p>Do not use this unit on or near combustible surfaces or structures such as wood decks, dry leaves or grass, vinyl or wood siding, etc.</p> <p>SEE OWNERS MANUAL FOR IMPORTANT SAFETY INFORMATION.</p>		

	CAUTION	
<p>For residential use only. Do not use for commercial cooking.</p>		

Preparing and Using Your Smoker

Before cooking with your Smoker, the following steps should be closely followed to both cure the finish and season the interior steel. Failure to properly follow these steps may damage the finish and/or impart metallic flavors to your first foods.

1. Brush all interior surfaces including grills and grates with vegetable cooking oil.
2. Build a small fire on the fire grate, being sure not to lay coals against the walls.
3. Close door. (Position butterfly damper and smokestack damper approximately at one quarter open.) This burn should be sustained for at least two hours, the longer the better. Then, begin increasing temperature by opening the butterfly damper and smokestack damper half-way and adding more charcoal. Your Smoker is now ready for use.

Rust can appear on the inside of your smoker. Maintaining a light coat of vegetable oil on interior surfaces will aid in the protection of your unit. Exterior surfaces of smoker may need occasional touch up. We recommend the use of a commercially available black high temperature spray paint. **NEVER PAINT THE INTERIOR OF THE UNIT !**

GRILLING

Wood is recommended, however charcoal or a combination of both may be used as the fuel source for grilling, with the fuel source placed and ignited on the fire grate. Do not build too large of a fire. We recommend starting a fire with no more than 4 pounds of charcoal (approximately 60 briquettes) and adding more as needed during cooking. After allowing the fire to burn down, place the cooking grills in the smoker. Failure to read and follow instructions for lighting charcoal may result in serious personal injury and/or property damage.

SMOKING AND SLOW COOKING

If using the Smoker as a smoker or slow cooker, remove the cooking grill from the firebox and build your fire on top of the fire grate in the firebox. Either charcoal or wood may be used, but wood is the recommended fuel for it's rate of burn and the flavor it imparts to the food being cooked. Most seasoned hardwoods are good for smoking such as hickory, mesquite, pecan, oak, and many other fruit woods. Bark should be avoided or burned off first as it contains a high acid content and imparts an acrid flavor.

After allowing the fire to burn down, close the doors and control the temperature and smoke with the dampers located on the firebox and atop the smokestack. Smoke is contained within the chambers, which will reduce burn while imparting more smoke flavor. Do not operate the Smoker with temperatures exceeding 450 degrees in the smoker chamber. Place the food in the smoker chamber and monitor the temperature. Cooking and smoking are taking place using indirect heat. There is no need to worry about a grease fire flare-up ruining the food. Do not place food within 6" of the opening from the firebox into the smoker chamber. A general rule of thumb for cooking is about 1 hour per pound for smoking large cuts of meat. Refer to a cook book for specific cuts of meats. Limit the number of times you open the smoker chamber door as this will allow heat to escape and extend the cooking time.

Grilling with Wood Chips/Wood Chunks

For a more robust smoke flavor while using charcoal briquettes or lump charcoal, try adding wood chips or several wood chunks to the fire. Wood chunks are available in a variety of natural flavors, and can be used alone or in addition to charcoal. As a general rule, any hardwood that bears a fruit or nut is suitable for cooking. However, different woods have very different tastes. Experiment with different woods to determine your personal favorite, and always use well-seasoned wood. Green or fresh-cut wood can turn food black, and tastes bitter.

Our Recommendations:

Chicken - Alder, Apple, Hickory, Mesquite, Sassafras

Beef - Hickory, Mesquite, Oak, Grapevines

Pork - Fruitwoods, Hickory, Oak, Sassafras

Lamb - Fruitwoods, Mesquite

Veal - Fruitwoods, Grapevines

Seafood - Alder, Mesquite, Sassafras, Grapevines

Vegetables – Mesquite

USDA Recommended	
Internal Cooking Temperatures	
Ground Meat	
Beef, Pork, Veal, Lamb.....	160°F
Turkey, Chicken.....	165°F
Fresh Beef, Veal, Lamb	
Medium Rare.....	145°F
(let stand 3 minutes before cutting)	
Medium.....	160°F
Well Done.....	170°F
Poultry	
Chicken & Turkey, whole.....	165°F
Poultry Parts.....	165°F
Duck & Goose.....	165°F
Fresh Pork	
Medium Rare.....	145°F
(let stand 3 minutes before cutting)	
Medium.....	160°F
Well Done.....	170°F

COOKING TIPS

Building Your Fire





- 1.) Stack charcoal briquettes or wood into a pyramid-shaped pile on top of the charcoal grate or ash pan. We recommend using 4 pounds (approximately 60 briquettes) to start your fire, adding more as needed.
- 2.) If using lighter fluid, saturate the charcoal briquettes with lighter fluid and let it soak in for approximately 5 minutes. If using a chimney starter, electric starter, or other type of fire starter, light your fire according to the manufacturer's instructions.
- 3.) After allowing the lighter fluid to properly soak in, light the pile of briquettes in several locations to ensure an even burn. **Always light the fire with the grill lid open.**
Leave lid open until briquettes are fully lit. Failure to do this could trap fumes from charcoal lighter fluid in grill and may result in a flash fire when lid is opened.
- 4.) Never add charcoal lighter fluid to hot or warm coals as flashbacks may occur causing injury.
- 5.) You are ready to begin cooking when the pile of briquettes ashes over and produces a red glow (approximately 12 – 15 minutes).
- 6.) Depending on your cooking method, either leave the briquettes in a pile or spread evenly across the charcoal grate using a long-handled poker.

****Always use caution when handling hot coals to prevent injury.***

Know When Your Fire is Ready

Successful charcoal grilling depends on a good fire. The general rule for knowing when your coals are ready for grilling is to make sure that 80 percent or more of the coals are ashy gray. If you have less than that, the coals are not ready, and if all of them are glowing red hot, the fire is probably too hot. Here are a few steps you can take to adjust the temperature of your fire:

- If it is too hot, spread the coals out a bit more, which makes the fire less intense.
- Raise or lower the adjustable charcoal grate.
- Partially close the vents in the grill, which reduces the amount of oxygen that feeds the fire.
- Use the indirect grilling method, with coals to either side of a drip pan and the food over the pan rather than directly over the coals.
- In the event of a severe flare-up, spray the flames with water from a squirt bottle. Be careful, spraying with water tends to blow ashes around and make a mess.
- Add briquettes 2 or 3 at a time to increase the burn time. Allow 10 minutes for coals to ash over before adding more.

THE HEAT OF THE COALS			
	seconds you can hold the palm of your hand 4 inches above the coals	temperature range (F°)	visual cues
 HOT COALS	2	400 to 450	barely covered with gray ash; deep red glow
 MODERATELY HOT TO HOT COALS	3	375 to 450	thin coating of gray ash; deep red glow
 MODERATELY HOT COALS	4	325 to 375	significant coating of gray ash; red glow
 MODERATELY COOL COALS	5	300 to 325	thick coating of gray ash; dull red glow

GRILL MAINTENANCE

Frequency of cleanup is determined by how much your smoker is used. Make sure coals are completely extinguished before cleaning inside of smoker. Inside surfaces may be cleaned with a strong solution of detergent and water applied with a scrub brush. Thoroughly rinse with water and allow to air dry before using again.

If a bristle brush is used to clean any of the grill cooking surfaces, ensure no loose bristles remain on cooking surfaces prior to grilling. It is not recommended to clean cooking surfaces while grill is hot.

HELPFUL HINTS

- If food seems to be getting too smoky or brown before the cooking time is finished, cover it loosely with heavy duty aluminum foil.
- Remove the ash after each use.
- Covered side dishes can be warmed in smoker chamber.
- To prevent flare-ups, brush meat lightly with oil before grilling.
- Keep a small squirt bottle of water handy for grilling flare-ups.



LIMITED WARRANTY

This warranty only applies to units purchased from an authorized retailer. Manufacturer warrants to the **original consumer-purchaser** only that this product shall be free from defects in workmanship and materials after correct assembly and under normal and reasonable home use for the periods indicated below beginning on the date of purchase*. The manufacturer reserves the right to require that defective parts be returned, postage and or freight pre-paid by the consumer for review and examination.

<u>SCOPE OF COVERAGE</u>	<u>PERIOD OF COVERAGE</u>	<u>TYPE OF FAILURE COVERAGE</u>
All Parts	1 year from date of purchase*	PERFORATION, MANUFACTURING, AND MATERIAL DEFECTS ONLY

*Note: A dated sales receipt WILL be required for warranty service.

The original consumer-purchaser will be responsible for all shipping charges for parts replaced under the terms of this limited warranty.

This limited warranty is applicable in the United States and Canada only, is only available to the original owner of the product and is not transferable. Manufacturer requires proof of your date of purchase. Therefore, you should retain your sales slip or invoice. Registering your product is not a substitute for proof of purchase and the manufacturer is not responsible for or required to retain proof of purchase records.

This limited warranty applies to the functionality of the product **ONLY** and does not cover cosmetic issues such as scratches, dents, corrosions or discoloring by heat, abrasive and chemical cleaners or any tools used in the assembly or installation of the appliance, surface rust, or the discoloration of stainless steel surfaces. **RUST is not considered a manufacturing or materials defect.**

This limited warranty will not reimburse you for the cost of any inconvenience, food, personal injury or property damage.

ITEMS MANUFACTURER WILL NOT PAY FOR:

1. Shipping cost, standard or expedited, for warranty and replacement parts
2. Service calls to your home.
3. Repairs when your product is used for other than normal, single-family household or residential use.
4. Damage, failures, or operating difficulties resulting from accident, alteration, careless handling, misuse, abuse, fire, flood, acts of God, improper installation or maintenance, installation not in accordance with electrical or plumbing codes, or use of products not approved by the manufacturer.
5. Any food loss due to product failures or operating difficulties.
6. Replacement parts or repair labor costs for units operated outside the United States or Canada.
7. Pickup and delivery of your product.
8. Repairs to parts or systems resulting from unauthorized modifications made to the product.
9. The removal and/or reinstallation of your product.

DISCLAIMER OF IMPLIED WARRANTIES and LIMITATION OF REMEDIES

Repair or replacement of defective parts is your exclusive remedy under the terms of this limited warranty. Manufacturer will not be responsible for any consequential or incidental damages arising from the breach of either this limited warranty or any applicable implied warranty, or for failure or damage resulting from acts of God, improper care and maintenance, grease fire, accident, alteration, replacement of parts by anyone other than Manufacturer, misuse, transportation, commercial use, abuse, hostile environments (inclement weather, acts of nature, animal tampering), improper installation or installation not in accordance with local codes or printed manufacturer instructions.

THIS LIMITED WARRANTY IS THE SOLE EXPRESS WARRANTY GIVEN BY THE MANUFACTURER. NO PRODUCT PERFORMANCE SPECIFICATION OR DESCRIPTION WHEREVER APPEARING IS WARRANTED BY MANUFACTURER EXCEPT TO THE EXTENT SET FORTH IN THIS LIMITED WARRANTY. ANY IMPLIED WARRANTY PROTECTION ARISING UNDER THE LAWS OF ANY STATE, INCLUDING IMPLIED WARRANTY OF MERCHANTABILITY OR FITNESS FOR A PARTICULAR PURPOSE OR USE, IS HEREBY LIMITED IN DURATION TO THE DURATION OF THIS LIMITED WARRANTY.

Neither dealers nor the retail establishment selling this product has any authority to make any additional warranties or to promise remedies in addition to or inconsistent with those stated above. Manufacturer's **maximum liability**, in any event, shall not exceed the purchase price of the product paid by the original consumer.

NOTE: Some states do not allow an exclusion or limitation of incidental or consequential damages, so some of the above limitations or exclusions may not apply to you. This limited warranty gives you specific legal rights as set forth herein. You may also have other rights which vary from state to state. In the state of California only, if refinishing or replacement of the product is not commercially practicable, the retailer selling this product or the Manufacturer will refund the purchase price paid for the product, less the amount directly attributable to use by the original consumer-purchaser prior to discovery of the nonconformity. In addition, in the state of California only, you may take the product to the retail establishment selling this product in order to obtain performance under this limited warranty.

If you wish to obtain performance of any obligation under this limited warranty, you should write to:

**Consumer Relations
P. O. Box 1240
Columbus, GA 31902-1240**

Consumer returns will not be accepted unless a valid Return Authorization is first acquired. Authorized returns are clearly marked on the outside of the package with an RA number and the package is shipped freight/postage pre-paid. Consumer returns that do not meet these standards will be refused.

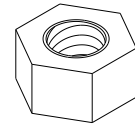
HARDWARE



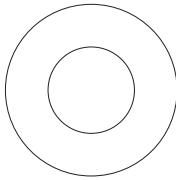
Hitch Pin
Qty: 2



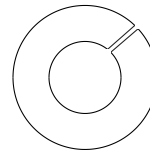
1/4-20
Flange Nut
Qty. 16



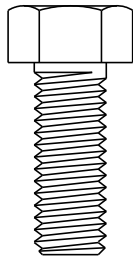
3/8-16
Hex Nut
Qty. 8



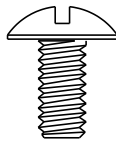
12mm Flat
Washer
Qty: 4



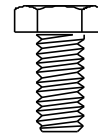
3/8"
Lock Washer
Qty. 8



3/8-16x1"
Hex-Head Bolt
Qty. 17



1/4-20x12"
Machine Screw
QTY: 12



1/4-20x1/2"
Hex-Head Bolt
Qty. 4

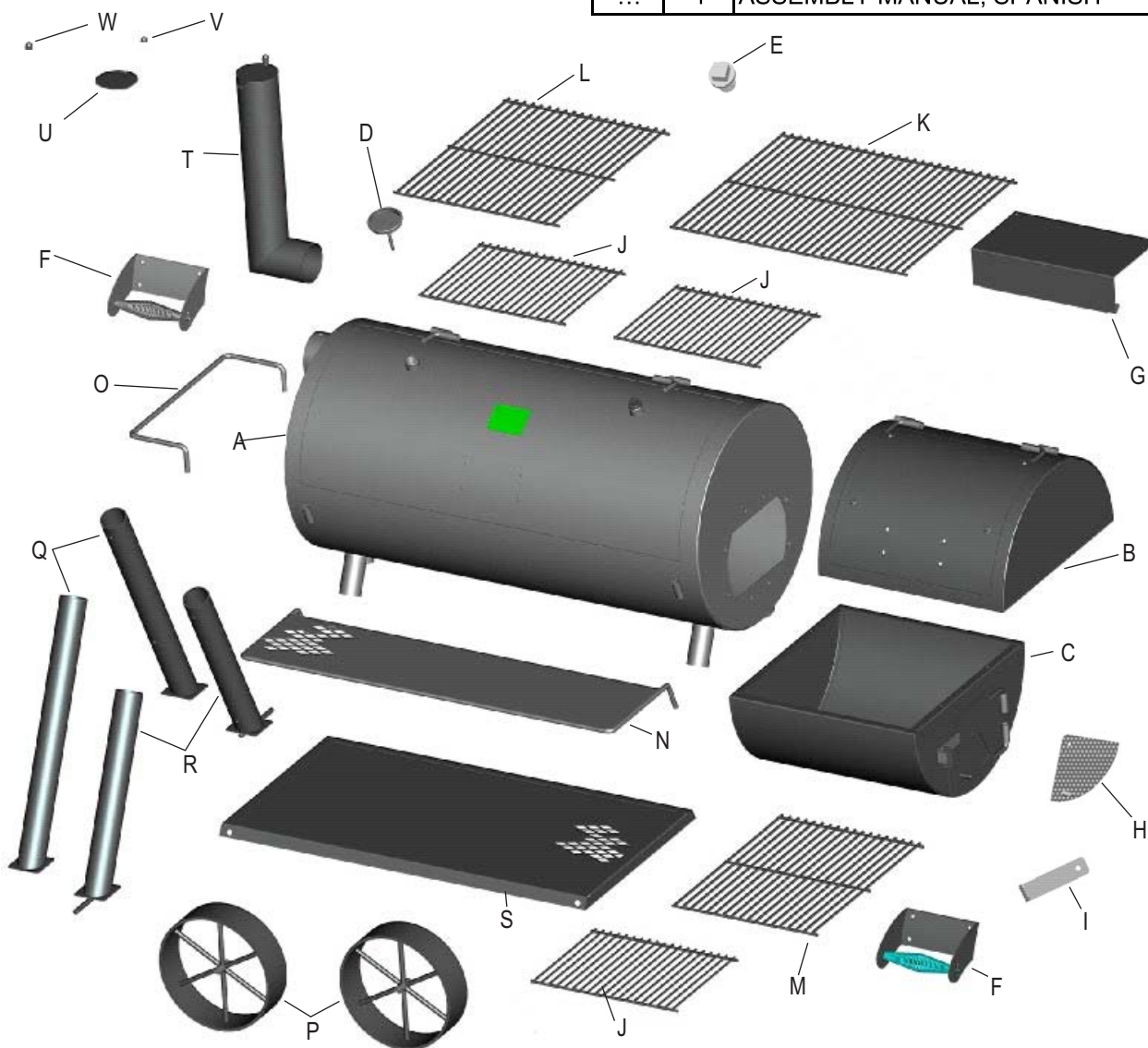
PARTS LIST

Key	Qty	Description
A	1	SMOKER CHAMBER W/ LID
B	1	FIREBOX LID
C	1	FIREBOX BOTTOM
D	1	TEMPERATURE GAUGE
E	1	TEMPERATURE GAUGE HOLE PLUG
F	2	LID HANDLE
G	1	WARMING SURFACE PLATE, F/ FIREBOX
H	1	DAMPER ASSEMBLY
I	1	DOOR LATCH
J	3	FIRE GRATE
K	1	COOKING GRATE, 23"X19"
L	1	COOKING GRATE, 17.1"X19"
M	1	COOKING GRATE, 14.2"X18.2"

Key	Qty	Description
N	1	FRONT SHELF
O	1	PULL HANDLE
P	2	WHEEL
Q	2	LONG LEG
R	2	SHORT LEG
S	1	BOTTOM SHELF ASSEMBLY
T	1	SMOKE STACK
U	1	DAMPER, F/ SMOKE STACK
V	1	CAP, F/ SMOKE STACK
W	1	SPRING, F/DAMPER

NOT Pictured

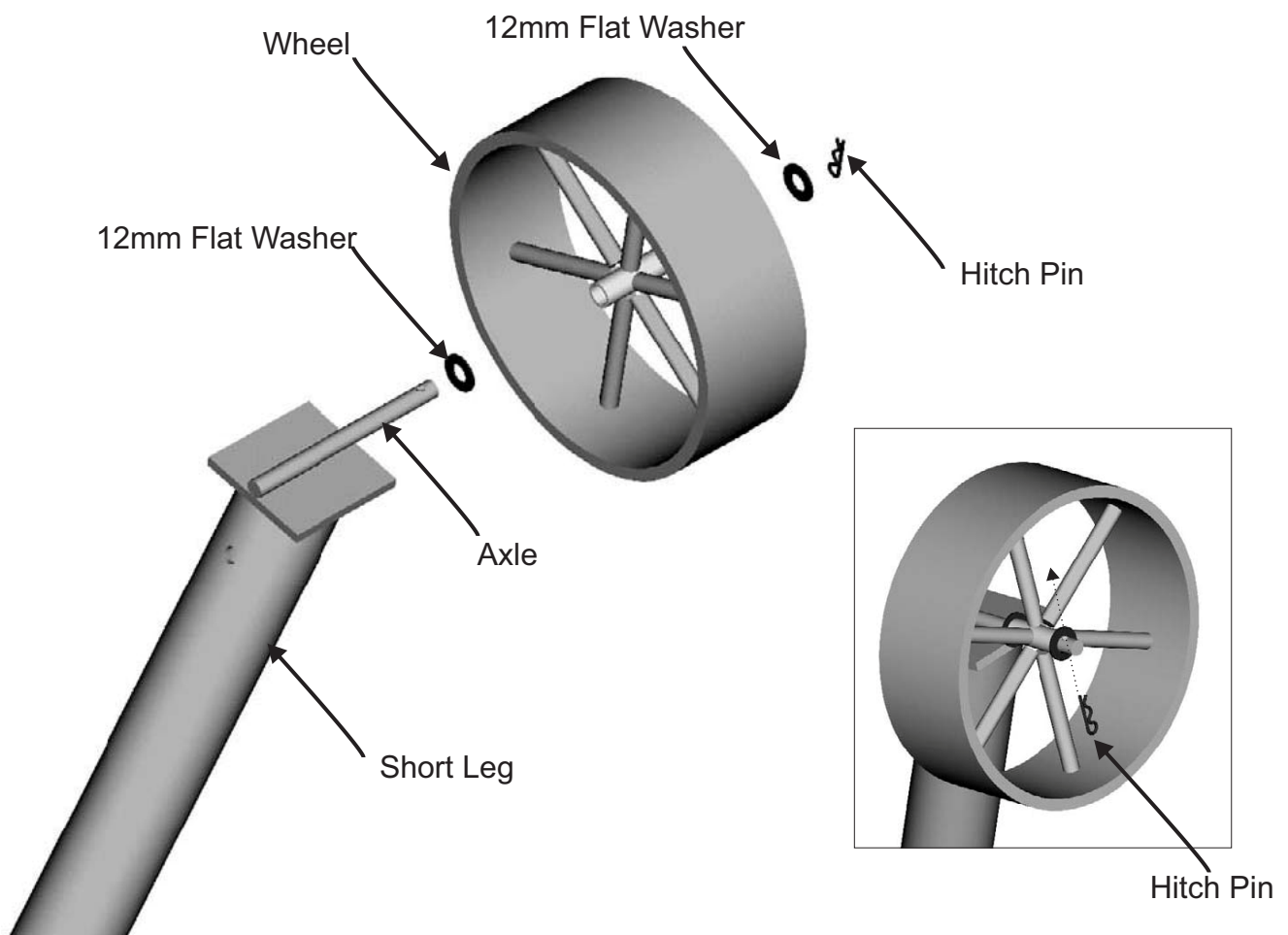
...	1	HARDWARE PACK
...	1	ASSEMBLY MANUAL, ENGLISH
...	1	ASSEMBLY MANUAL, SPANISH



ASSEMBLY

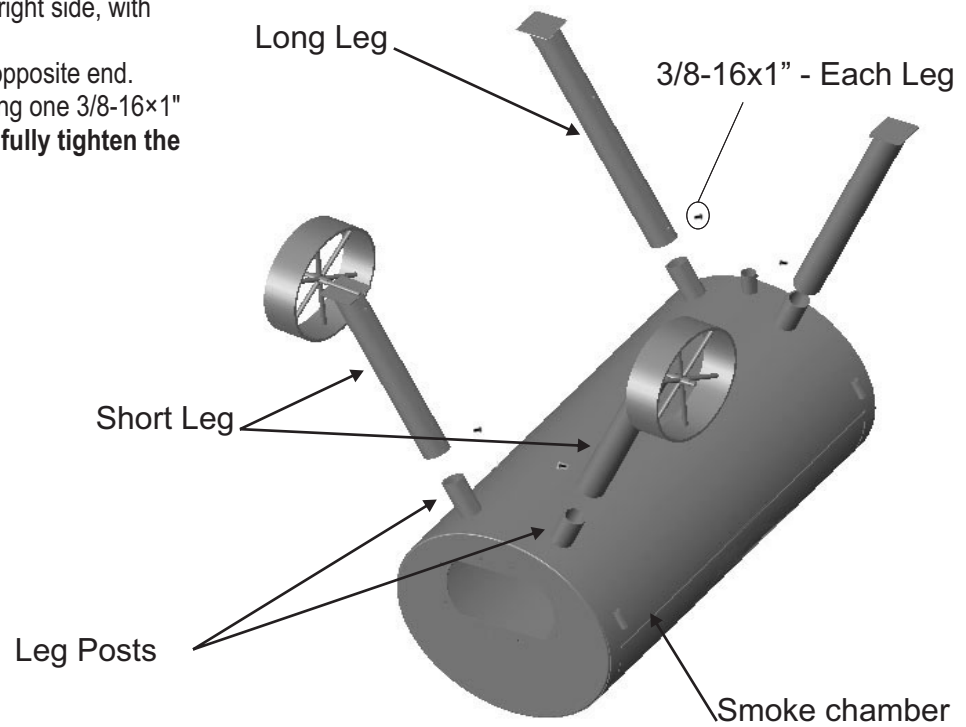
1 **FIRST, GET A HELPER!** This unit is heavy and requires a second person for lifting and moving. **NEXT**, pick a suitable location to work. Open the carton and slit the corners so that the carton lays flat. This will give you a protective surface during assembly. Remove the carton packing material and the parts from inside the firebox and smoke chamber.

2 On each short leg, slide one 12mm flat washer onto axle, followed by a wheel, then another 12mm flat washer. Slide a hitch pin into the hole at the end of the axle.

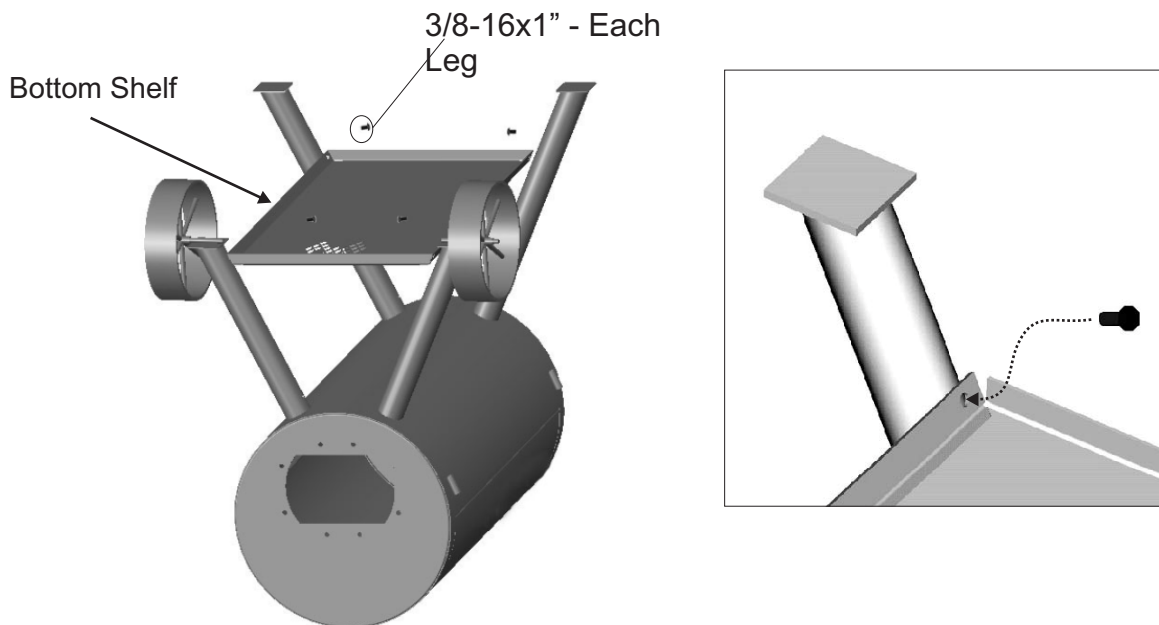


3 With one person on smoke chamber end, roll the unit onto cardboard that was placed on the ground next to the unit. Unit should now be resting on its smoke chamber handle brackets with the leg posts pointing upward.

- Slide short legs onto posts at right side, with wheels facing outward.
- Slide long legs onto posts at opposite end.
- Secure each legs to posts using one 3/8-16x1" hex-head bolt per leg. **Do not fully tighten the bolts at this time!**



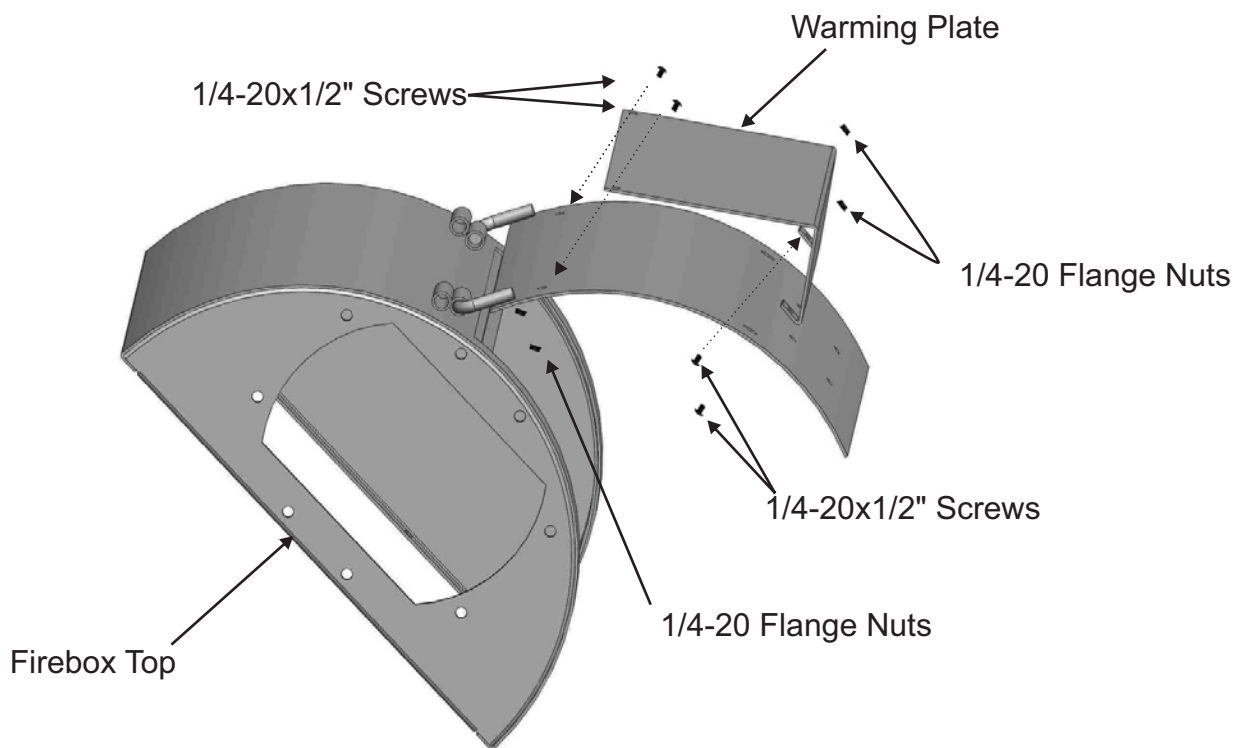
4 Have one person hold the bottom shelf in position shown while another attaches shelf to legs using four 3/8-16x1" hex-head bolts. **Fully tighten these four bolts.**



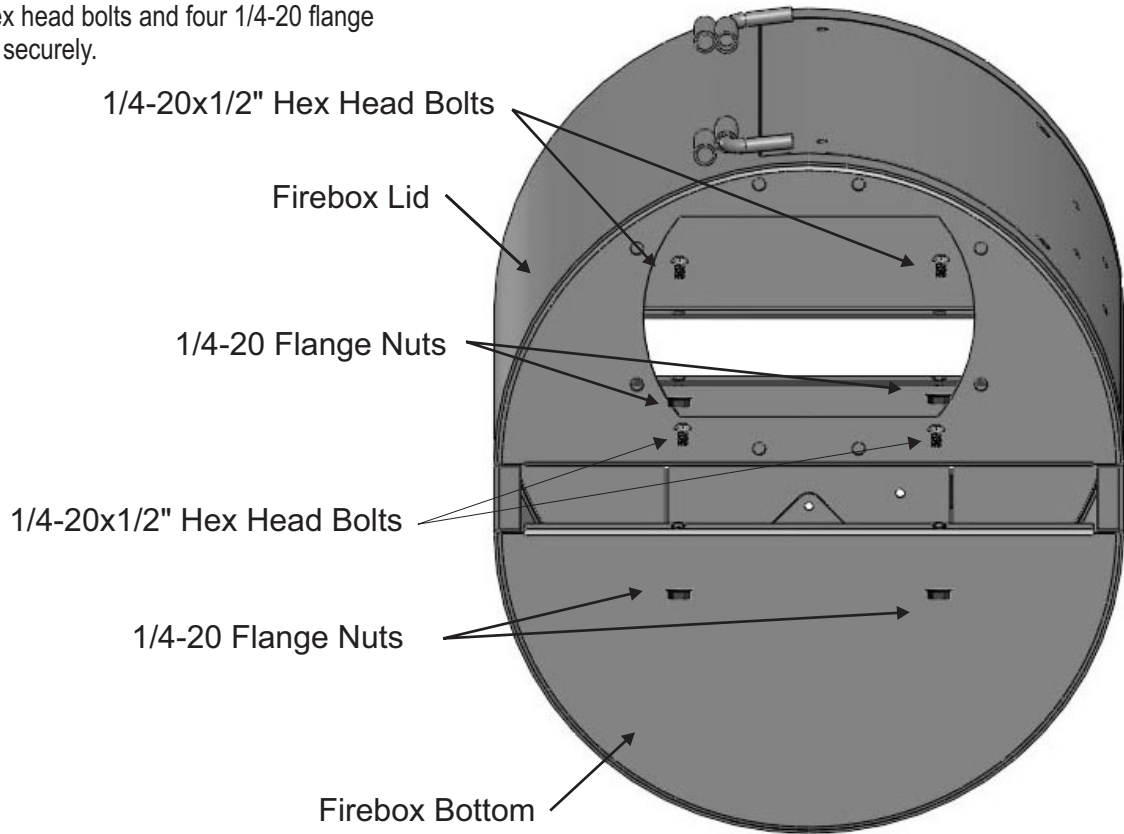
5 Make sure that leg bolts are tight enough so that legs won't slip off of posts. **With the assistance of a helper**, roll the unit over the handle brackets and stand it up onto its legs. Once standing, fully tighten the four leg bolts.



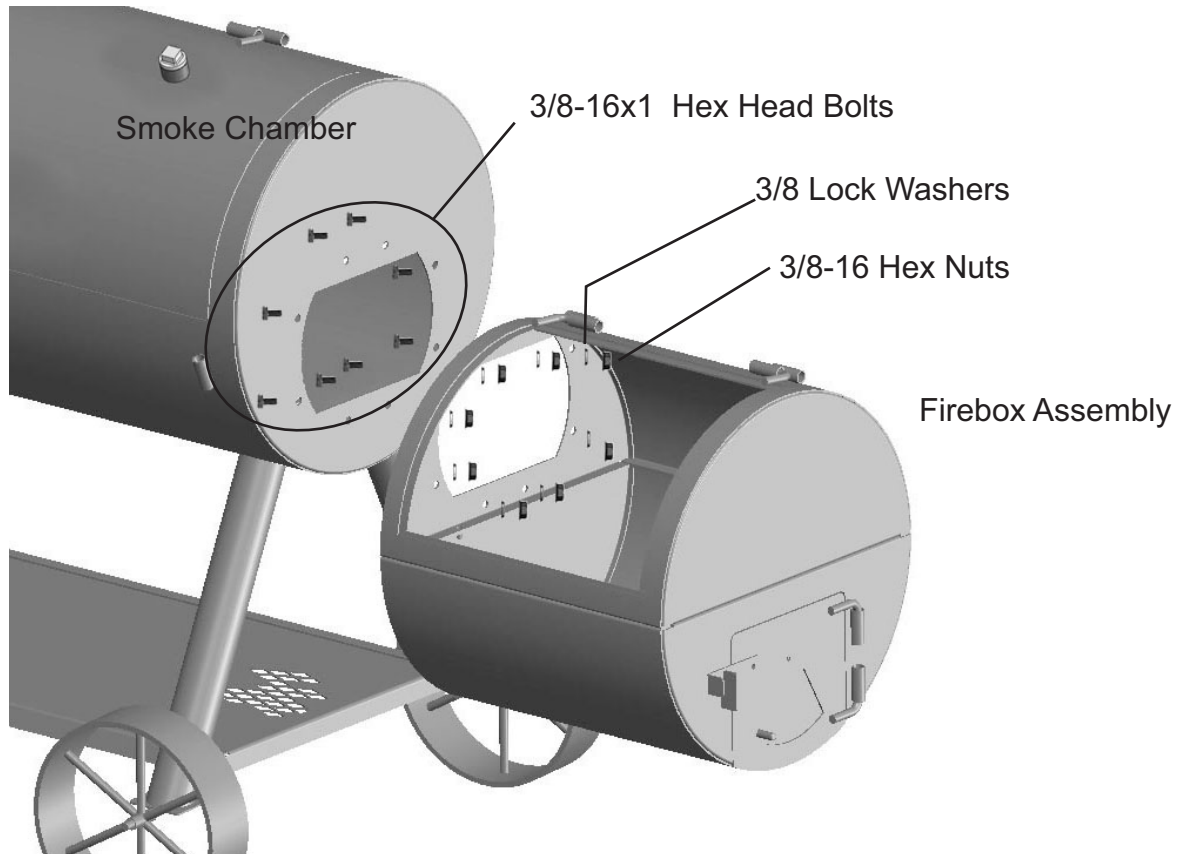
6 Use four 1/4-20x1/2" screw and four 1/4-20 flange nuts to attach the warming plate to the lid of firebox. Tighten securely.



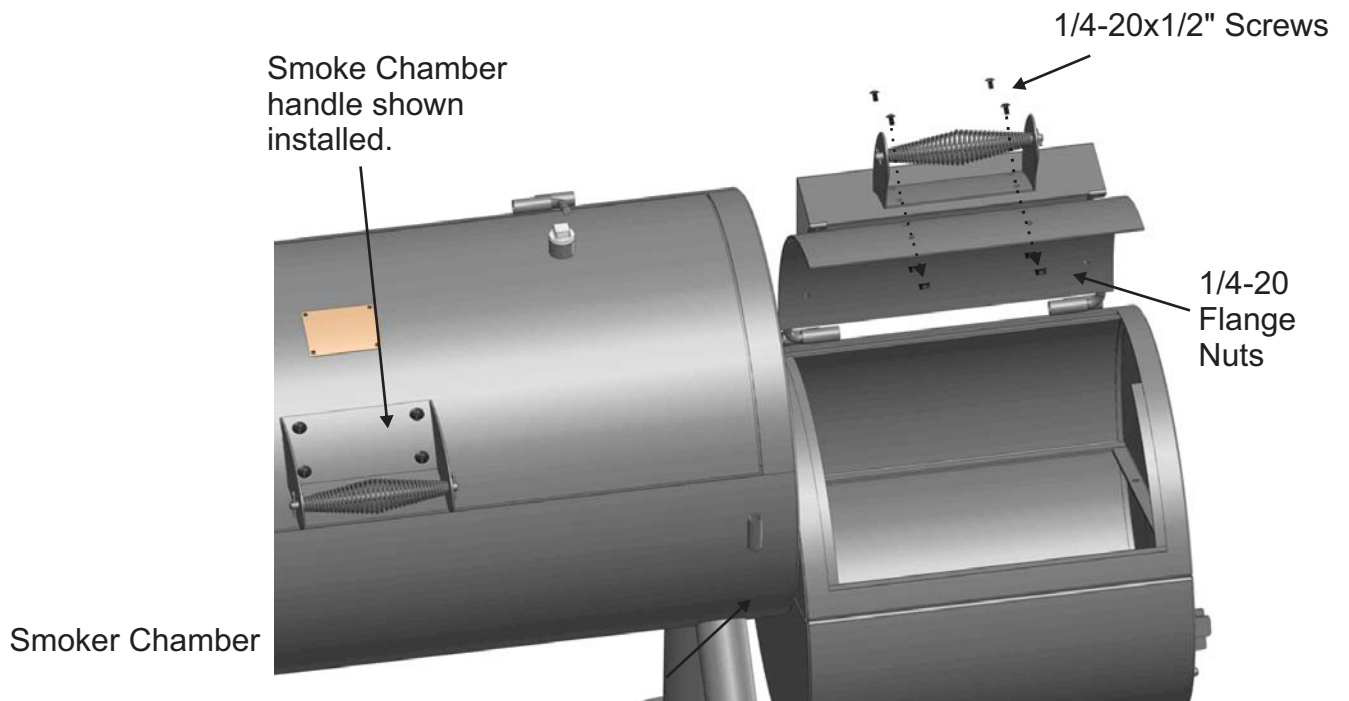
7 Connect firebox lid and firebox bottom using four 1/4-20x1/2" hex head bolts and four 1/4-20 flange nuts. Tighten securely.



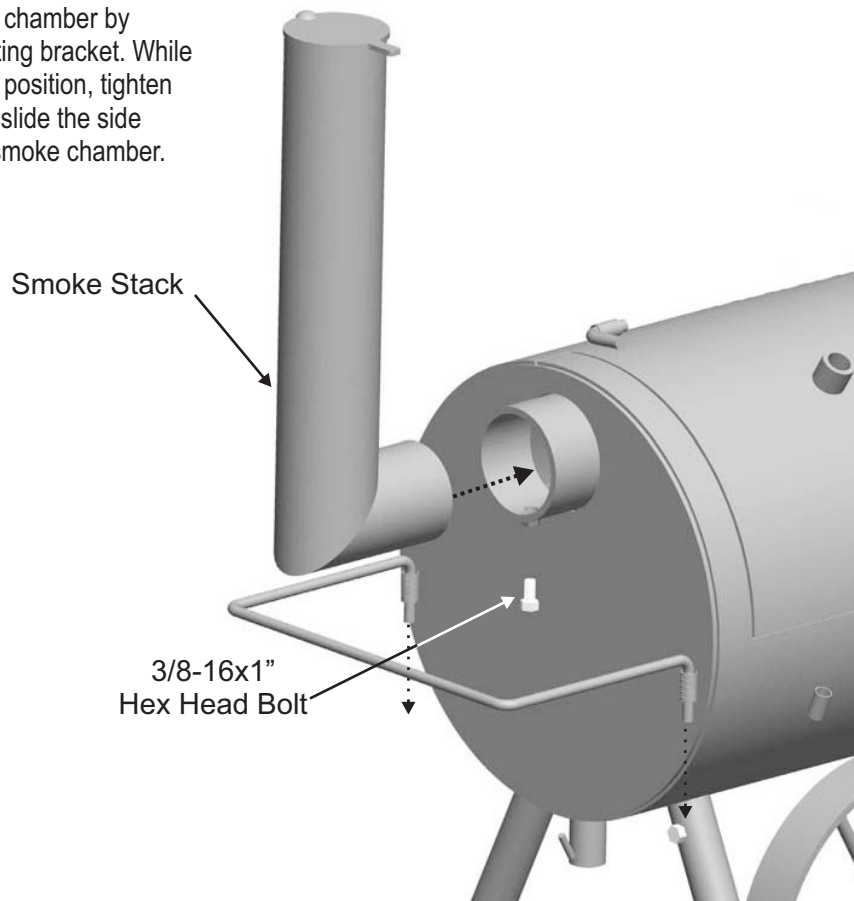
8 **With the help of an assistant,** connect firebox and smoke chamber using eight 3/8-16x1" hex head bolts, 3/8 lock washer, and 3/8-16 hex nut, and tighten.



- 9** Attach handle to smoke chamber lid and firebox lid using eight 1/4-20x1/2" screws and 1/4-20 flange nuts. Tighten securely.



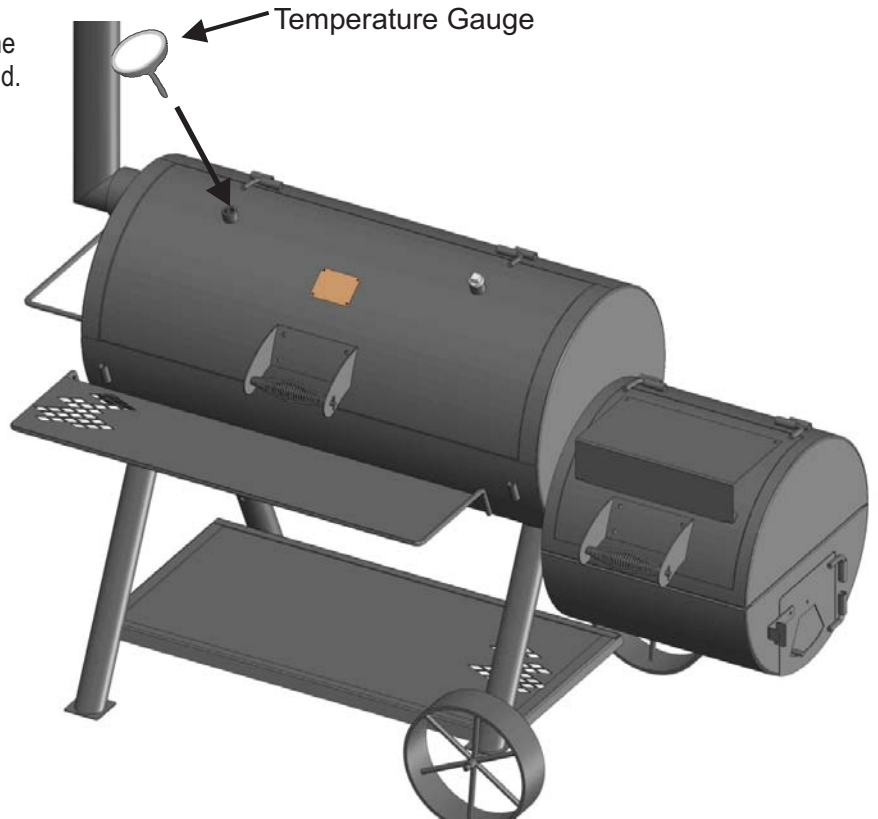
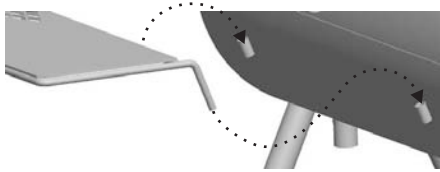
- 10** Attach smokestack to end of smoke chamber by sliding stack into smokestack mounting bracket. While holding the smokestack in a vertical position, tighten the 3/8-16x1" hex-head bolts. Then slide the side handle into the brackets welded to smoke chamber.



11

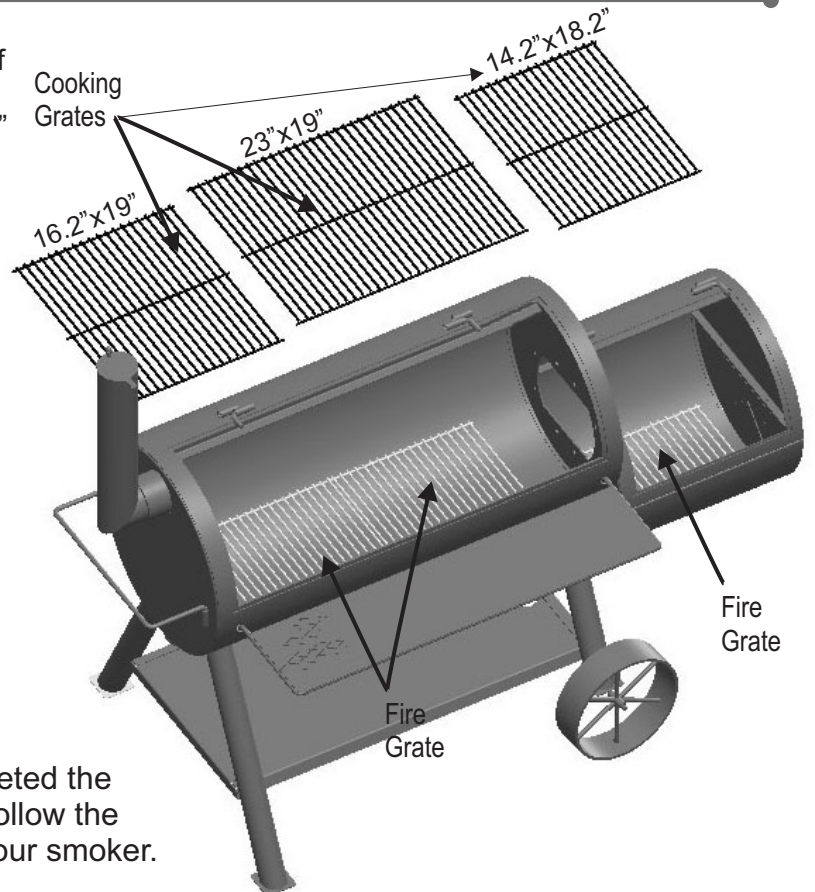
Attach front shelf to smoke chamber by sliding ends of shelf frame into bushing on front of smoke chamber.

Next, install the Temperature Gauge into the bushing located on the Smoker Chamber Lid. Align gauge and then secure with jamb nut.



12

Place two of the fire grates in the bottom of the smoke chamber and one in the bottom of the firebox. Then place the large 23"x19" porcelain grate and the medium size 16.2"x19" porcelain grate into the smoke chamber. The small 14.2"x18.2" porcelain grate fits into the firebox.



Congratulations! You have completed the assembly of your smoker. Please follow the instructions on page 3 to season your smoker.



Please register your product online at:
 Registre su producto en línea en:
 Veuillez enregistrer votre produit à l'adresse:

www.charbroil.com/register

(If you register online, you do not need to send in this registration card.)
 (Si registra en línea, no es necesario enviar esta tarjeta de registro.)
 (Si vous enregistrez votre produit en ligne, il n'est pas nécessaire d'envoyer la carte d'enregistrement.)

PLEASE FILL OUT THIS CARD AND ATTACH A COPY OF YOUR SALES RECEIPT. RETURN IT WITHIN 10 DAYS OF PURCHASE. FOR WARRANTY SERVICE PROOF OF PURCHASE WILL BE REQUIRED. THIS WARRANTY IS NON-TRANSFERABLE.

LLENE ESTA TARJETA Y DEVUELVALA DENTRO DE LOS 10 DIAS DE LA COMPRA. PARA EL SERVICIO DE GARANTIA ES NECESARIO QUE PRESENTE SU COMPROBANTE DE COMPRA. CONSERVE LA FACTURA. ESTA GARANTIA ES INTRANSFERIBLE.

VEUILLEZ COMPLETER CETTE CARTE ET LA RETOURNER DANS LES 10 JOURS SUIVANT L'ACHAT. POUR OBTENIR LE SERVICE SOUS GARANTIE, UNE PREUVE D'ACHAT DOIT ETRE PRESENTEE. VEUILLEZ CONSERVER VOTRE FACTURE. LA PRESENTE GARANTIE N'EST PAS TRANSFERABLE.

*Required | Necesario | Exigé

~ PLEASE PRINT ~ IMPRIMA POR FAVOR ~ S'IL VOUS PLAÎT IMPRIMER ~

* **1** First Name | Nombre | Prénom _____ Initial | Inicial | Initiale _____ Last Name | Apellido | Nom de Famille _____

Address (number & street) | Dirección (número y calle) | Adresse (numéro et rue) _____ Apt Number | Nº de apart | Nº d'apt. _____

City | Ciudad | Ville _____ State | Estado | Province _____ Zip Code | Código Zip | Code Postal _____

* **2** E-mail Address | Dirección de correo electrónico | Adresse électronique _____ * **3** Phone Number | Número telefónico | Numéro de téléphone _____

* **4** Model Number | Número de modelo | Numéro de modèle _____

Char-Broil, LLC
 Columbus, GA 31904
OUTDOOR GAS GRILL
 Model 443201508

TYPE OF GAS: LP/PROPANE at 11 in.wc
 NAT at 7 in.wc

For outdoor use only. If Stored Indoors, Detach and Leave Cylinder Outdoor.
 CAUTION: Use only the gas (pressure) regulator supplied with this appliance.
 This regulator is set for an outlet pressure of 11 inches water column (0.40 psi).
 Turn off LP supply at cylinder when appliance is not in use.

Serial No. 00003488

APR 22 1:50:2006 / CSA 1.86-2006
 Outdoor Cooking Gas Appliance

Serial Number | Número de serie | Numéro de série _____

STICKER ON PRODUCT

* **6** Date of Purchase | Fecha de compra | Date de l'achat _____ \$ _____

* **7** Store Name | Nombre de la tienda | Nom du magasin _____

* **8** Purchase Price | Precio de compra | Prix d'achat _____

* **9** Your Gender | Sexo | Sexe:
 Male | Masculino | Masculin
 Female | Femenino | Féminin

* **10** Which product are you registering?
 ¿Qué producto está registrando?
 Quel produit enregistrez-vous?

1. Gas Grill | Parrilla a gas | Gril au gaz
2. Electric Grill | Parrilla eléctrica | Gril électrique
3. Smoker | Ahumador | Fumoir
4. Charcoal Grill | Parrilla a carbón | Barbecue au charbon
5. Cooker/Fryer | Cocina/freidora | Cuisieur/Friteuse
6. Other | Otro | Autre

Mail to: / Enviar a: / Envoyer à :

Char-Broil Warranty Registration
P.O. Box 1240
Columbus, GA 31902-1240

* **5** Attach copy of your sales receipt here.

Adjunte aquí la copia de su recibo de compra

Veillez attacher une copie de votre reçu ici.

We respect your privacy. | Respetamos su privacidad. | Nous respectons votre vie privée.

- If you prefer not to receive special offers and promotions from Char-Broil, please check here:
- Marque aquí si no desea recibir ofertas y promociones especiales de Char-Broil:
- Si vous préférez ne pas recevoir d'informations concernant des offres spéciales et des promotions de Charbroil, veuillez cocher ici:

Thank you for completing this questionnaire. | Gracias por completar este cuestionario. | Merci d'avoir bien voulu remplir ce questionnaire.

THANK YOU FOR YOUR RECENT PURCHASE FROM



CHECK OUT THESE GREAT FEATURES ON OUR WEBSITE

- Valuable product information
- Inspiring grilling accessories
- Reliable customer support
- Delicious recipes and tips from chefs
- Exciting events and promotions
- And much more!

REGISTER YOUR PRODUCT TO RECEIVE A
SPECIAL OFFER
CHARBROIL.COM/REGISTER