



PRODUCT GUIDE

GUIDE DES PRODUITS

GUÍA DEL PRODUCTO

MODEL | MODÈLE | MODELO

12701705

**VERTICAL GAS
SMOKER 595**

Serial number | Numéro de série | Número de serie

See rating label on grill for serial number.

Ce numéro se trouve sur l'étiquette signalétique située sur l'appareil.

El número de serie se encuentra en la etiqueta de especificaciones de la parrilla.

Date purchased | Date d'achat | Fecha de compra

If you have questions or need assistance during assembly, please call 1-800-241-7548.

Si vous avez des questions ou besoin d'aide pendant l'assemblage, S'il vous plaît appelez 1-800-241-7548

Si tiene alguna pregunta o si Necesita ayuda durante el Ensamblado, llámenos Al 1-800-241-7548



TABLE OF CONTENTS

Product Record Information.....	1
For Your Safety.....	2
Safety Symbols.....	2
Installation Safety Precautions.....	2
Food Safety.....	3
Use and Care.....	3-6
Limited Warranty.....	7
Parts List.....	20
Parts Diagram.....	23
Assembly.....	24-33
Troubleshooting.....	34-35
Registration Card.....	43

This instruction manual contains important information necessary for the proper assembly and safe use of the appliance.

Read and follow all warnings and instructions before assembling and using the appliance.

Follow all warnings and instructions when using the appliance.

Safety Symbols

The symbols and boxes shown below explain what each heading means. Read and follow all of the messages found throughout the manual.



CAUTION: Indicates a potentially hazardous situation or unsafe practice which, if not avoided, may result in minor or moderate injury.



WARNING: Indicates a potentially hazardous situation which, if not avoided, could result in death or serious injury.



DANGER: Indicates an imminently hazardous situation which, if not avoided, will result in death or serious injury.

INSTALLER/ASSEMBLER:

Leave this manual with consumer.

CONSUMER:

Keep this manual for future reference.



CALIFORNIA PROPOSITION 65

1. Combustible by-products produced when using this product contains chemicals known to the State of California to cause cancer, birth defects, or other reproductive harm.
2. This product contains chemicals, including lead and lead compounds, known to the State of California to cause cancer, birth defects or other reproductive harm.

Wash your hands after handling this product.

THIS GRILL IS FOR OUTDOOR USE ONLY.



If you smell gas:

1. Shut off gas to the appliance.
2. Extinguish any open flame.
3. Open lid.
4. If odor continues, keep away from the appliance and immediately call your fire department.

Failure to follow these instructions could result in fire or explosion, which could cause property damage, personal injury or death.



1. Never operate this appliance unattended.
2. Never operate this appliance within 10ft (3m) of any structure, combustible material or other gas cylinder.
3. Never operate this appliance within 25 ft (7.5 m) of any flammable liquid.
4. If a fire should occur, keep away from the appliance and immediately call your fire department.

Failure to follow these instructions could result in fire, explosion or burn hazard, which could cause property damage, personal injury or death.



Failure to follow all manufacturer's instructions could result in serious personal injury and/or property damage.



For residential use only. Do not use for commercial cooking.



Read and follow all safety statements, assembly instructions, and use and care directions before attempting to assemble and cook.



Some parts may contain sharp edges. Wear protective gloves if necessary.



Do not attempt to repair or alter the hose/valve/regulator for any "assumed" defect. Any modification to this assembly will void your warranty and create the risk of a gas leak and fire. Use only authorized replacement parts supplied by manufacturer.



Grease Fires

- Putting out grease fires by closing the lid is not possible. Grills are well ventilated for safety reasons.
- Do not use water on a grease fire. Personal injury may result. If a grease fire develops, turn knobs and LP tank off.
- If grill has not been regularly cleaned, a grease fire can occur that may damage the product. Pay close attention while preheating or burning off food residue to insure that a grease fire does not develop. Follow instructions on General Grill Cleaning and Cleaning The Burner Assembly to prevent grease fires.
- The best way to prevent grease fires is regular cleaning of the grill.



If smoker should go out accidentally, turn the burner control OFF, wait 5 minutes and repeat the lighting procedure.

Installation Safety Precautions

- Use your appliance, as purchased, only with LP (propane) gas and the regulator/valve assembly supplied.
- The appliance installation must conform with local codes, or in their absence of local codes, with either the *National Fuel Gas Code, ANSI Z223.1/ NFPA 54, Natural Gas and Propane Installation Code, CSA B149.1, and Propane Storage and Handling, CSA B149.2, Canadian Electrical Code, CSA C22.1 or the Standard for Recreational Vehicles, ANSI A 119.2/NFPA 1192, and CSA Z240 RV Series, Recreational Vehicle Code, as applicable.*
- This appliance is not for use in or on recreational vehicles and/or boats.
- This appliance is safety certified for use in the United States and/or Canada only. Do not modify for use in any other location. Modification will result in a safety hazard.

Food Safety

Food safety is a very important part of enjoying the outdoor cooking experience. To keep food safe from harmful bacteria, follow these four basic steps:

Clean: Wash hands, utensils, and surfaces with hot soapy water before and after handling raw meat and poultry.

Separate: Separate raw meats and poultry from ready-to-eat foods to avoid cross contamination. Use a clean platter and utensils when removing cooked foods.

Cook: Cook meat and poultry thoroughly to kill bacteria. Use a thermometer to ensure proper internal food temperatures.

Chill: Refrigerate prepared foods and leftovers promptly.

For more information call: USDA Meat and Poultry Hotline at 1-800-535-4555 In Washington, DC (202) 720-3333, 10:00 am-4:00 pm EST.

How To Tell If Meat Is Cooked Thoroughly

- Meat and poultry cooked in the appliance often browns very fast on the outside. Use only thawed meat and a meat thermometer to be sure food has reached a safe internal temperature, and cut into food to check for visual signs of doneness.
- We recommend food to be at least 40°F before cooking in your appliance.
- Whole poultry should reach 165° F. Juices should run clear and flesh should not be pink.
- Beef, veal and lamb steaks, roasts and pork chops can be cooked to 145° F.
- NEVER partially cook meat or poultry and finish cooking later. Cook food completely to destroy harmful bacteria.
- Use a meat thermometer to ensure proper internal food temperatures.

USDA Recommended Internal Cooking Temperatures	
Ground Meat	
Beef, Pork, Veal, Lamb.....	160°F
Turkey, Chicken.....	165°F
Fresh Beef, Veal, Lamb	
Medium Rare.....	145°F
(let stand 3 minutes before cutting)	
Medium.....	160°F
Well Done.....	170°F
Poultry	
Chicken & Turkey, whole.....	165°F
Poultry Parts.....	165°F
Duck & Goose.....	165°F
Fresh Pork	
Medium Rare.....	145°F
(let stand 3 minutes before cutting)	
Medium.....	160°F
Well Done.....	170°F

Storing Your Appliance

- Store in dry location.
- When LP cylinder is connected to appliance, store outdoors in a well-ventilated space and out of reach of children.
- If Regulator is disconnected from the LP cylinder, a hook is provided to hang Regulator from the handle as shown.



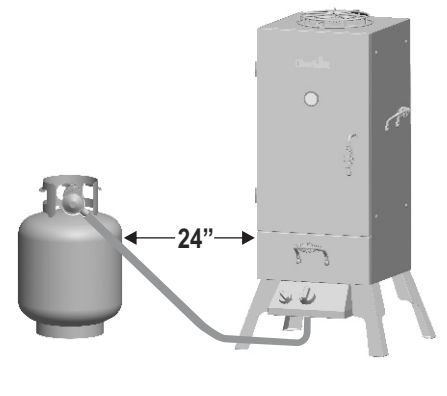
Use wire hook provided to store regulator.

- Cover appliance if stored outdoors. Choose from a variety of covers offered by manufacturer.
- Store indoors ONLY if LP cylinder is turned off and disconnected, removed from appliance and stored outdoors.
- When removing appliance from storage, follow "Cleaning the Burner Assembly" instructions before starting.

USE AND CARE



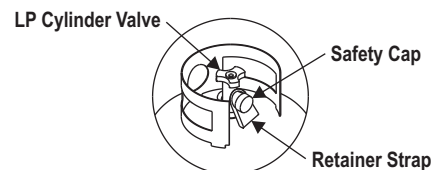
- NEVER store a spare LP cylinder under or near the appliance or in an enclosed area.
- Never fill a cylinder beyond 80% full.
- An over filled or improperly stored cylinder is a hazard due to possible gas release from the safety relief valve. This could cause an intense fire with risk of property damage, serious injury or death.
- If you see, smell or hear gas escaping, immediately get away from the LP cylinder/appliance and call your fire department.
- Keep LP tank at a minimum distance of 24" (inches) away from appliance at all times.



LP Cylinder Removal, Transport and Storage

- Turn OFF all control knobs and LP cylinder valve. Turn coupling nut counterclockwise by hand only - do not use tools to disconnect. Loosen cylinder screw beneath bottom shelf or disconnect other retention means, then lift LP cylinder up and out of cart. Install safety cap onto LP cylinder valve. Always use cap and strap supplied with valve. Failure to use safety cap as directed may result in serious personal injury and/or property damage.

- A disconnected LP cylinder in storage or being transported must have a safety cap installed (as shown). Do not store an LP cylinder in enclosed spaces such as a carport, garage, porch, covered patio or other building. Never leave an LP cylinder inside a vehicle which may become overheated by the sun.
- Do not store an LP cylinder in an area where children play.



LP (Liquefied Petroleum Gas)

- LP gas is nontoxic, odorless and colorless when produced. For Your Safety, LP gas has been given an odor (similar to rotten cabbage) so that it can be smelled.
- LP gas is highly flammable and may ignite unexpectedly when mixed with air.

LP Cylinder

• The LP cylinder used with your grill must meet the following requirements:

- Use LP cylinders only with these required measurements: 12" (30.5cm) (diameter) x 18" (45.7 cm) (tall) with 20 lb. (9 kg.) capacity maximum.

- LP cylinders must be constructed and marked in accordance with specifications for LP cylinders of the U.S. Department of Transportation (DOT) or for Canada, CAN/CSA-B339, cylinders, spheres and tubes for transportation of dangerous goods, Transport Canada (TC). See LP cylinder collar for marking.

- LP cylinder valve must have:
- Type 1 outlet compatible with regulator or grill.



- Safety relief valve.
- UL listed Overfill Protection Device (OPD). This OPD safety feature is identified by a unique triangular hand wheel. Use only LP cylinders equipped with this type of valve.

OPD Hand Wheel

- LP cylinder must be arranged for vapor withdrawal and include collar to protect LP cylinder valve. Always keep LP cylinders in upright position during use, transit or storage.



LP cylinder in upright position for vapor withdrawal

LP Cylinder Filling

- Use only licensed and experienced dealers.
- LP dealer must purge new cylinder before filling.
- Dealer should NEVER fill LP cylinder more than 80% of LP cylinder volume. Volume of propane in cylinder will vary by temperature.
- A frosty regulator indicates gas overfill. Immediately close LP cylinder valve and call local LP gas dealer for assistance.
- Do not release liquid propane (LP) gas into the atmosphere. This is a hazardous practice.
- To remove gas from LP cylinder, contact an LP dealer or call a local fire department for assistance. Check the telephone directory under "Gas Companies" for nearest certified LP dealers.

USE AND CARE

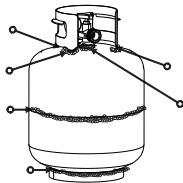
LP Cylinder Exchange

- Many retailers that sell grills offer you the option of replacing your empty LP cylinder through an exchange service. Use only those reputable exchange companies that inspect, precision fill, test and certify their cylinders. **Exchange your cylinder only for an OPD safety feature-equipped cylinder as described in the "LP Cylinder" section of this manual.**
- Always keep new and exchanged LP cylinders in upright position during use, transit or storage.
- **Leak test new and exchanged LP cylinders BEFORE connecting to grill.**
- Place safety cap on cylinder valve outlet whenever the cylinder is not in use. Only install the type of safety cap on the cylinder valve outlet that is provided with the cylinder valve. Other types of caps or plugs may result in leakage of propane.

LP Cylinder Leak Test

For your safety

- Leak test must be repeated each time LP cylinder is exchanged or refilled.
- Do not smoke during leak test.
- Do not use an open flame to check for gas leaks.
- Grill must be leak tested outdoors in a well-ventilated area, away from ignition sources such as gas fired or electrical appliances. During leak test, keep grill away from open flames or sparks.
- Use a clean paintbrush and a 50/50 mild soap and water solution. Brush soapy solution onto areas indicated by arrows in figure below.
- **Do not use household cleaning agents.** Damage to gas train components can result.

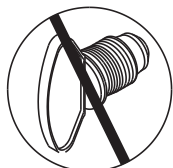
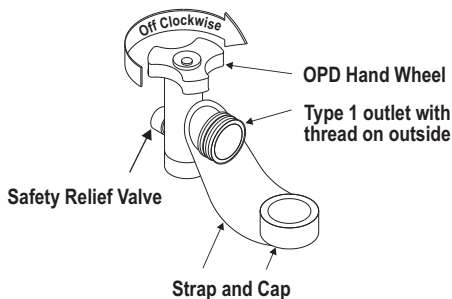


WARNING

If "growing" bubbles appear do not use or move the LP cylinder. Contact an LP gas supplier or your fire department!

Connecting Regulator to the LP Cylinder

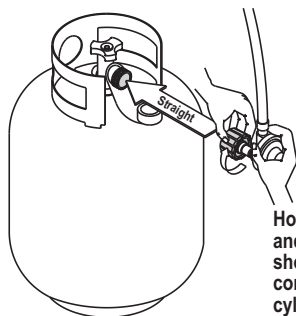
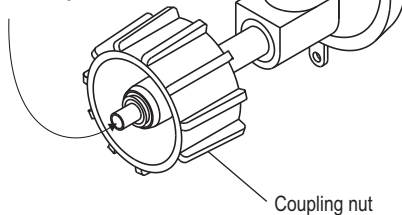
1. LP cylinder must be properly secured onto grill. (Refer to assembly section.)
2. Turn all control knobs to the OFF position.
3. Turn LP cylinder OFF by turning hand-wheel clockwise to a **full stop**.
4. Remove the safety cap from LP cylinder valve. Always use cap and strap supplied with valve.



Do not use a POL transport plug (plastic part with external threads)! It will defeat the safety feature of the valve.

5. Hold regulator and insert nipple into LP cylinder valve. Hand-tighten the coupling nut, holding regulator in a straight line with LP cylinder valve so as not to cross-thread the connection.

Nipple has to be centered into the LP cylinder valve.



Hold coupling nut and regulator as shown for proper connection to LP cylinder valve.

6. Turn the coupling nut clockwise and tighten to a full stop. The regulator will seal on the back-check feature in the LP cylinder valve, resulting in some resistance. **An additional one-half to three-quarters turn is required to complete the connection. Tighten by hand only – do not use tools.**

NOTE:

If you cannot complete the connection, disconnect regulator and repeat steps 5 and 6. If you are still unable to complete the connection, **do not use this regulator!**



DANGER



- Do not insert any tool or foreign object into the valve outlet or safety relief valve. You may damage the valve and cause a leak. Leaking propane may result in explosion, fire, severe personal injury, or death.



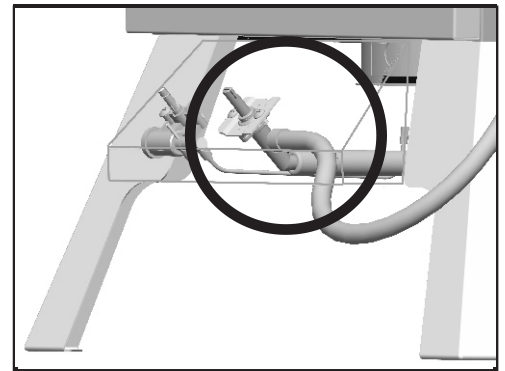
WARNING



- Do not use grill until leak-tested.
- If a leak is detected at any time, STOP!
- If you cannot stop a gas leak by closing the LP cylinder valve leave area and call your fire department!

Leak Testing Valves, Hose and Regulator

1. Turn all grill control knobs to OFF.
2. Be sure regulator is tightly connected to LP cylinder.
3. Completely open LP cylinder valve by turning hand wheel counterclockwise. If you hear a *rushing sound*, turn gas off immediately. There is a major leak at the connection. **Correct before proceeding.**
4. Brush soapy solution onto areas circled.



5. If "growing" bubbles appear, there is a leak. Close LP cylinder valve immediately and retighten connections. **If leaks cannot be stopped do not try to repair.** Call for replacement parts.
6. Always close LP cylinder valve after performing leak test by turning hand wheel clockwise.



WARNING

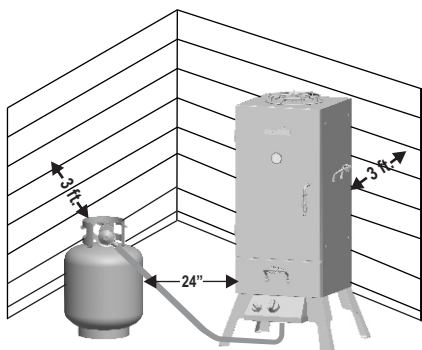


- Outdoor gas appliance is not intended to be installed in or on a boat.
- Outdoor gas appliance is not intended to be installed in or on an RV.
- Never attempt to attach this grill to the self-contained LP gas system of a camper trailer or motor home.

WARNING

For Safe Use of Your appliance and to Avoid Serious Injury:

- The use of alcohol, prescription or non-prescription drugs may impair the consumer's ability to properly assemble or safely operate the appliance.
- When cooking, the appliance must be on a level, stable noncombustible surface in an area clear of combustible material. An asphalt surface (blacktop) may not be acceptable for this purpose.
- Do not leave appliance unattended. Keep children and pets away from the appliance at all times.
- Do not place empty cooking vessel on the appliance while in operation. Use caution when placing anything in cooking vessel while the appliance is in operation.
- Do not move the appliance when in use. Allow the cooking vessel to cool to 115°F (45°C) before moving or storing.
- This appliance is not intended for and should never be used as a heater.
- This appliance will be hot during and after use. Use insulated oven mitts or gloves and long-handled barbecue utensils for protection from hot surfaces or splatter from cooking liquids.
- Keep appliance area clear and free from materials that burn.
- Keep appliance area clear and free from combustible materials, gasoline and other flammable vapors and liquids.
- Keep fuel supply hose away from any heated surfaces.
- Use appliance only in well-ventilated space. NEVER use in enclosed space such as carport, garage, porch, covered patio, or under an overhead structure of any kind.
- **Use appliance at least 3 ft. from any wall or surface.** Maintain 10 ft. clearance to objects that can catch fire or sources of ignition such as pilot lights on water heaters, live electrical appliances, etc.



- **NEVER attempt to light burner with any type of closed cover.** A buildup of non-ignited gas inside a closed appliance is hazardous.
- **Never operate appliance with LP cylinder out of correct position specified in assembly instructions.**
- **Always close LP cylinder valve and remove coupling nut before moving LP cylinder from specified operation position.**

Apartment Dwellers:

Check with management to learn the requirements and fire codes for using an LP gas appliance in your apartment complex. If allowed, use outside on the ground floor with a three (3) foot clearance from walls or rails. Do not use on or under balconies.

Safety Tips

- Before opening LP cylinder valve, check the coupling nut for tightness.
- When this appliance is not in use, turn off control knob and LP cylinder valve.
- Smoker Chamber door should be open while attempting to light the burner.
- The grease tray **must** be inserted into appliance and emptied after each use.
- If you notice grease or other hot material dripping from appliance onto valve, hose or regulator, turn off gas supply at once. Determine the cause, correct it, then clean and inspect valve, hose and regulator before continuing. Perform a leak test.
- Do not store objects or materials under the appliance enclosure that would block the flow of combustion air from the underside of either the control panel or the firebox bowl.
- The regulator may make a humming or whistling noise during operation. This will not affect safety or use of the appliance.
- If you have an appliance problem see the "Troubleshooting Section".
- If the regulator frosts, turn off appliance and LP cylinder valve immediately. This indicates a problem with the cylinder and it should not be used on any product. Return to supplier!
- Clean smoker often, preferably after each cookout. If a bristle brush is used to clean any of the cooking surfaces, ensure no loose bristles remain on cooking surfaces prior to cooking. It is not recommended to clean cooking surfaces while hot.

Ignitor Lighting

- **Do not lean over appliance while lighting.**
- 1. Turn ON LP gas cylinder.
- 2. Open the Smoke Chamber door.
- 3. Press and turn the control knob to HIGH.
- 4. Turn ROTARY IGNITOR knob rapidly.
- 5. Pull out the Smoker Drawer to verify that the burner is lit.
- 6. If ignition does not occur in 5 seconds, turn the burner control knob OFF, wait 5 minutes, and repeat lighting procedure.



If ignition still does not occur, follow match-lighting instructions.

WARNING

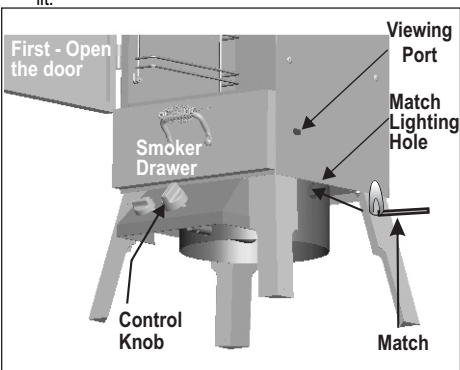
Turn control knob and LP cylinder OFF when not in use.

CAUTION

If ignition does NOT occur in 5 seconds, turn the control knob OFF, wait 5 minutes and repeat the lighting procedure. If the burner does not ignite with the valve open, gas will continue to flow out of the burner and could accidentally ignite with risk of injury.

Match-Lighting

- **Do not lean over appliance while lighting.**
- 1. Turn ON LP cylinder.
- 2. Open the Smoke Chamber door.
- 3. Place lit match into match lighting hole of appliance as pictured below. Make sure lit match is placed inside hole and near burner.
- 4. Push in and turn control knob to HIGH. Be sure burner lights and stays lit.
- 5. Pull out the Smoker Drawer to verify that the burner is lit.



View is from side of appliance

Burner Flame Check

- Light burner, rotate knob from **HIGH** to **LOW**. Looking through the match light holes underneath the appliance, you should see the flame height decrease when turning knob from **HIGH** to **LOW**. Always check flame prior to each use. If only low flame is seen refer to "Sudden drop or low flame" in the *Troubleshooting Section*.



Turning Appliance Off

- Turn control knob to **OFF** position. Turn LP cylinder off by turning hand-wheel clockwise to a full stop.

Ignitor Check

- **Turn gas off at LP cylinder.** Turn ignitor knob. "Click" should be heard each time at electrode. See "Troubleshooting" if no click or spark.

Valve Check

- **Important: Make sure gas is off at LP cylinder before checking valve.** Knob locks in **OFF** position. To check valve, first push in knob and release, knob should spring back. If knob does not spring back, replace valve assembly before using Oil-less Fryer. Turn knob to **HIGH** position then turn back to **OFF** position. Valve should turn smoothly.

Hose Check

- Before each use, check to see if hose is cut, worn or kinked. Replace damaged hose before using appliance. **Use only valve/hose/regulator specified by manufacturer.**



General Appliance Cleaning

- Do not mistake brown or black accumulation of grease and smoke for paint. Interiors are not painted at the factory **(and should never be painted)**. Apply a strong solution of detergent and water or use a grill cleaner with scrub brush on insides of appliance lid and bottom. Rinse and allow to completely air dry. **Do not apply a caustic grill/oven cleaner to painted surfaces.**
- **Plastic parts:** Wash with warm soapy water and wipe dry. Do not use citrisol, abrasive cleaners, degreasers or a concentrated grill cleaner on plastic parts. Damage to and failure of parts can result.
- **Painted surfaces:** Wash with mild detergent or non-abrasive cleaner and warm soapy water. Wipe dry with a soft non-abrasive cloth.
- **Stainless steel surfaces:** To maintain the high quality appearance, wash with mild detergent and warm soapy water and wipe dry with a soft cloth after each use. Baked-on grease deposits may require the use of an abrasive plastic cleaning pad. Use only in direction of brushed finish to avoid damage. Do not use abrasive pad on areas with graphics.

Safety Precautions while cooking:

- The exterior surfaces of your smoker can become extremely hot during use. Be sure to wear insulated oven mitts or gloves before making adjustments to the Top Damper or when opening the Smoker door.

Water Level

- Watch water level. Always keep water in water pan (unless you wish to brown your food), Food can burn quickly if water completely evaporates. When using smoker, be very careful when adding water to the hot smoker.

Cleaning the Burner Assembly

Follow these instructions to clean and/or replace parts of burner assembly or if you have trouble igniting appliance.

1. Turn gas off at control knob and LP cylinder and disengage regulator from cylinder.
2. Remove the smoker drawer and water pan, shown A.
3. Remove the Electrode Wire from the Rotary Ignitor, shown B.
4. Remove 4 Control Panel screws and nuts. Shown C.
5. Disengage Control Panel/control Valve from burner.
6. Slide Control Panel Assembly from unit, shown D.
7. Clean inner burner as recommended below, shown E.

We suggest three ways to clean the burner tube. Use the one easiest for you.

(A) Bend a stiff wire (a light weight coat hanger works well) into a small hook. Run hook through burner tube several times.



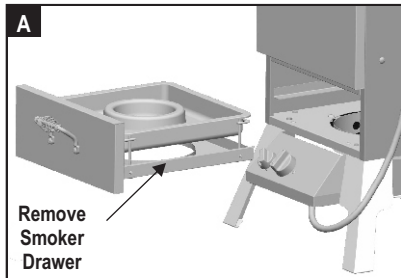
(B) Use a narrow bottle brush with a flexible handle (do not use a brass wire brush), run the brush through burner tube several times.

(C) **Wear eye protection:** Use an air hose to force air into the burner tube and out the burner ports. Check each port to make sure air comes out each hole.

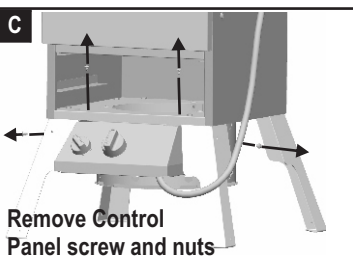
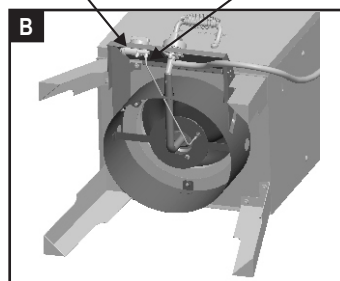
8. Check burner for damage, due to normal wear and corrosion some holes may become enlarged. If any large cracks or holes are found replace burner.
9. Attach electrode to burner.
10. Carefully replace control panel assembly.

VERY IMPORTANT: Burner tube must re-engage over valve opening. See illustration, shown F.

11. Reverse steps for re-assembly.

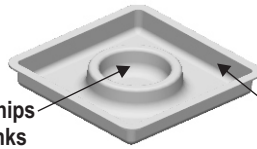


Remove Electrode Wire from Rotary Ignitor



Setup Instructions Using Wood Chips or Chunks

- Dried aromatic wood chips or chunks need to be saturated with water, so that when placed in the water pan, a smoldering smoke will result. Wood chips or chunks can be soaked too long; however, 2 hours is adequate. As a rule of thumb, use wood chunks for smoking 3 or more hours and wood chips when smoking less than 3 hours. Start with 3 wood chunks or 1½ cups of wood chips.



Wood Chips or Chunks

Water Reservoir

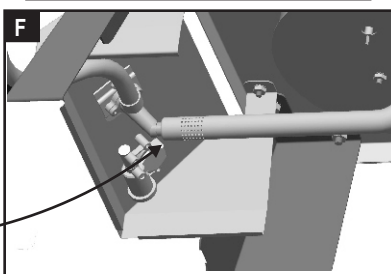
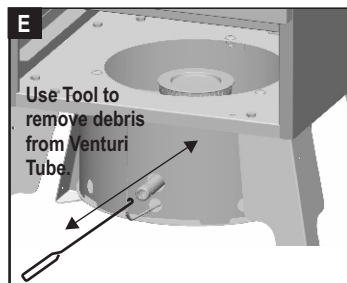
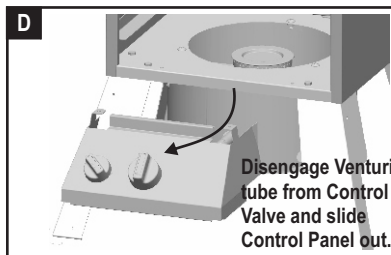
Spray inside door and body with nonstick vegetable oil based spray. Place water pan onto brackets in the smoker drawer. Using a 4 quart (one gallon) container fill the water pan 2/3 full with hot tap water. Do not overfill the water pan.

Water or Juice?

Placing water alone in the water pan is adequate; however, it is not the only viable choice. Fruit juice, cola, beer, wine, drained marinades and even the water in which the wood has soaked make flavorful sources. In addition, celery stalks, onions, carrots, apples, peppercorns and bay leaves are just a few of the other popular flavor sources to add to the water pan.

Before each use, inspect the interior lid and body surface areas for loose particle buildup. Clean away any loose or flaking residue so it will not fall onto food while being cooked.

Before cooking, coat cooking grates with oil or with a vegetable oil based spray. Using oven mitts, carefully place cooking grates into smoker. Larger cuts of meat or food that cook for long periods of time should be placed on the lower cooking grate. If you are cooking foods with several pieces, such as racks of ribs or Cornish hens, be sure to allow adequate spacing for even heat circulation. Using oven mitts, carefully insert upper cooking grate into smoker. Smaller food items require less cooking time and should be placed on the upper cooking grate. After filling the smoker, close the door and leave undisturbed until suggested minimum cooking time.



Meats that require more than 4 hours of cooking time to reach doneness may require additional water. The initial amount of hot water added (4 quarts) should last 4-6 hours. After 4-6 hours, check water level and add more hot water as necessary.

Use a meat thermometer for measuring the internal heat of any food. The appearance of smoked foods resembles no other method of cooking, particularly in light colored meats such as pork, turkey, chicken and Cornish hens. The outside will be pinkish-red while the inside when cooked to perfection, is often pink. The juices from fully cooked poultry will run clear when pierced with a fork. Fish is done when it flakes easily when tested with a fork. Shrimp should be resilient to the touch when done. Remove foods from smoker before carving. To brown meats, cook for an additional ½ hour or more with no water in water pan.

Performance of the smoker is dependent on ambient temperature and wind conditions. With temperature below 60°F and winds of 5 MPH or more, the smoker can lose a significant amount of heat and it may not be possible to raise internal temperature of meat high enough to cook it in a reasonable time.

Your smoker is designed with a drawer that is used to hold the water pan. This drawer will allow you to keep a check on the water level in the smoker without having to open the door. Opening the door during cooking will allow heat to escape and will significantly increase cooking time.

You may use your smoker without water in the water pan. However DO NOT use the smoker without the water pan properly installed. To do so will allow grease and drippings from the food being cooked to drop through the unit and onto the floor or surface on which the units sits.

Brush poultry and naturally lean meats with cooking oil, butter or margarine before cooking.

When cooking more than one piece of meat, the cooking time is determined by the largest piece being cooked.

The meat bastes itself during cooking. No basting or turning is necessary while cooking in the smoker. For variety, marinade of barbecue sauce may be applied before placing into the smoker.

Resist the temptation to open the door during cooking time. Opening the door will cause a loss of heat, which will result in longer cooking times.



SPIDER ALERT!

SPIDER AND WEBS INSIDE BURNER



If your appliance is getting hard to light or the flame is weak, check and clean the venturi's and burners.

Spiders or small insects are known to create "flashback" problems by building nests and laying eggs in the appliance venturi or burner obstructing the flow of gas. The back-up gas can ignite behind the control panel. This flashback can damage your appliance and cause injury. To prevent flashbacks and ensure good performance the burner and venturi tube assembly should be removed and cleaned whenever the appliance has been idle for an extended period of time.

LIMITED WARRANTY

This warranty only applies to units purchased from an authorized retailer. Manufacturer warrants to the **original consumer-purchaser** only that this product shall be free from defects in workmanship and materials after correct assembly and under normal and reasonable home use for the periods indicated below beginning on the date of purchase*. The manufacturer reserves the right to require that defective parts be returned, postage and or freight pre-paid by the consumer for review and examination.

<u>SCOPE OF COVERAGE</u>	<u>PERIOD OF COVERAGE</u>	<u>TYPE OF FAILURE COVERAGE</u>
All Parts	1 year from date of purchase*	PERFORATION, MANUFACTURING, AND MATERIAL DEFECTS ONLY

*Note: A dated sales receipt WILL be required for warranty service.

The original consumer-purchaser will be responsible for all shipping charges for parts replaced under the terms of this limited warranty.

This limited warranty is applicable in the United States and Canada only, is only available to the original owner of the product and is not transferable. **Manufacturer requires proof of your date of purchase. Therefore, you should retain your sales slip or invoice.** Registering your product is not a substitute for proof of purchase and the manufacturer is not responsible for or required to retain proof of purchase records.

This limited warranty applies to the functionality of the product ONLY and does not cover cosmetic issues such as scratches, dents, corrosions or discoloring by heat, abrasive and chemical cleaners or any tools used in the assembly or installation of the appliance, surface rust, or the discoloration of stainless steel surfaces. **RUST is not considered a manufacturing or materials defect.**

This limited warranty will not reimburse you for the cost of any inconvenience, food, personal injury or property damage.

ITEMS MANUFACTURER WILL NOT PAY FOR:

1. Shipping cost, standard or expedited, for warranty and replacement parts
2. Service calls to your home.
3. Repairs when your product is used for other than normal, single-family household or residential use.
4. Damage, failures, or operating difficulties resulting from accident, alteration, careless handling, misuse, abuse, fire, flood, acts of God, improper installation or maintenance, installation not in accordance with electrical or plumbing codes, or use of products not approved by the manufacturer.
5. Any food loss due to product failures or operating difficulties.
6. Replacement parts or repair labor costs for units operated outside the United States or Canada.
7. Pickup and delivery of your product.
8. Repairs to parts or systems resulting from unauthorized modifications made to the product.
9. The removal and/or reinstallation of your product.

DISCLAIMER OF IMPLIED WARRANTIES and LIMITATION OF REMEDIES

Repair or replacement of defective parts is your exclusive remedy under the terms of this limited warranty. In the event of parts availability issues, the manufacturer reserves the right to substitute like or similar parts that are equally functional.

Manufacturer will not be responsible for any consequential or incidental damages arising from the breach of either this limited warranty or any applicable implied warranty, or for failure or damage resulting from acts of God, improper care and maintenance, grease fire, accident, alteration, replacement of parts by anyone other than Manufacturer, misuse, transportation, commercial use, abuse, hostile environments (inclement weather, acts of nature, animal tampering), improper installation or installation not in accordance with local codes or printed manufacturer instructions.

THIS LIMITED WARRANTY IS THE SOLE EXPRESS WARRANTY GIVEN BY THE MANUFACTURER. NO PRODUCT PERFORMANCE SPECIFICATION OR DESCRIPTION WHEREVER APPEARING IS WARRANTED BY MANUFACTURER EXCEPT TO THE EXTENT SET FORTH IN THIS LIMITED WARRANTY. ANY IMPLIED WARRANTY PROTECTION ARISING UNDER THE LAWS OF ANY STATE, INCLUDING IMPLIED WARRANTY OF MERCHANTABILITY OR FITNESS FOR A PARTICULAR PURPOSE OR USE, IS HEREBY LIMITED IN DURATION TO THE DURATION OF THIS LIMITED WARRANTY.

Neither dealers nor the retail establishment selling this product has any authority to make any additional warranties or to promise remedies in addition to or inconsistent with those stated above. Manufacturer's **maximum liability**, in any event, shall not exceed the purchase price of the product paid by the original consumer.

NOTE: Some states do not allow an exclusion or limitation of incidental or consequential damages, so some of the above limitations or exclusions may not apply to you. This limited warranty gives you specific legal rights as set forth herein. You may also have other rights which vary from state to state. In the state of California only, if refinishing or replacement of the product is not commercially practicable, the retailer selling this product or the Manufacturer will refund the purchase price paid for the product, less the amount directly attributable to use by the original consumer-purchaser prior to discovery of the nonconformity. In addition, in the state of California only, you may take the product to the retail establishment selling this product in order to obtain performance under this limited warranty.

If you wish to obtain performance of any obligation under this limited warranty, you should write to:

**Consumer Relations
P. O. Box 1240
Columbus, GA 31902-1240**

Consumer returns will not be accepted unless a valid Return Authorization is first acquired. Authorized returns are clearly marked on the outside of the package with an RA number and the package is shipped freight/postage pre-paid. Consumer returns that do not meet these standards will be refused.

TABLE DES MATIÈRES

Information sur l'enregistrement du produit.....	1
Pour votre sécurité.....	8
Symboles de sécurité.....	8
Mesures de sécurité pendant l'installation.....	8
Sécurité Alimentaire.....	9
Utilisation et entretien.....	9-12
Garantie limitée.....	13
Liste des pièces.....	21
Schéma des pièces.....	23
Assemblage.....	24-33
Dépannage.....	36-37
Fiche d'inscription.....	43

Cette notice contient des renseignements importants permettant un assemblage adéquat et à une utilisation sécuritaire de l'appareil.

Lire et suivre toutes les mises en garde et toutes les instructions avant l'assemblage et l'utilisation de l'appareil.

Suivre toutes les mises en garde et toute les instruction lors de l'utilisation de l'appareil.

Symboles de sécurité

Vous trouverez ci-dessous une explication du sens de chaque symbole. Lisez et respectez toutes les consignes qui apparaissent partout dans ce guide.

ATTENTION

ATTENTION : indique une situation potentiellement dangereuse ou une pratique à risque qui, si elle n'est pas évitée, pourrait entraîner des blessures mineures ou modérément graves.

AVERTISSEMENT

AVERTISSEMENT : indique des conditions qui représentent un risque d'accident; à défaut de prendre les mesures correctives appropriées, la mort ou de graves blessures s'ensuivent.

DANGER

DANGER : indique des conditions qui représentent un danger imminent; à défaut de prendre les mesures correctives appropriées, la mort ou de graves blessures s'ensuivent.

INSTALLATEUR / ASSEMBLEUR :

Vous devez laisser le présent manuel au client.

CLIENT :

Conservez cette notice pour consultation ultérieure.

CET APPAREIL EST CONÇU POUR UN USAGE À L'EXTÉRIEUR UNIQUEMENT

DANGER

Si vous sentez une odeur de gaz :

1. Coupez l'alimentation de gaz de l'appareil.
2. Éteignez toute flamme nue.
3. Ouvrez le couvercle.
4. Si l'odeur persiste, appelez immédiatement votre service des incendies.

«Le non respect des instructions suivantes peut entraîner des dommages matériels, des blessures graves ou la mort résultant d'un incendie ou d'une explosion.»

DANGER

1. Ne jamais faire fonctionner cet appareil sans surveillance.
2. Ne jamais faire fonctionner cet appareil à moins de 3.05 mètres (10 pi) de quelque matériau combustible ou structure que ce soit, ou d'un autre réservoir de gaz.
3. N'utilisez jamais faire fonctionner cet appareil à moins de 7,5 m (25 pi) d'un liquide inflammable.
4. Si un incendie devait se produire, éloignez-vous de l'appareil et appelez immédiatement le service des incendies.

«Le non respect des instructions suivantes peut entraîner des dommages matériels, des blessures graves ou la mort résultant d'un incendie ou d'une explosion.»

AVERTISSEMENT

Ne pas suivre toutes les instructions du fabricant pourrait causer des préjudices physiques graves et des dommages matériels.

ATTENTION

Pour utilisation domestique uniquement. Ne pas utiliser à des fins commerciales.

ATTENTION

Lire et respecter toutes les consignes de sécurité, les instructions d'assemblage et les directives d'emploi et d'entretien avant d'essayer d'assembler cet appareil ou de l'utiliser pour la cuisson.

ATTENTION

Certaines pièces peuvent être munies de bords coupants. Portez des gants de protection au besoin.

AVERTISSEMENT

N'essayez pas de réparer ou de modifier le tuyau, le système de valve ou le régulateur pour corriger un défaut « présumé ». Toute modification à cet assemblage annule votre garantie en plus de créer un risque de fuite de gaz et d'incendie. N'utilisez que des pièces de rechange approuvées, fournies par le fabricant.

ATTENTION

Incendies de Graisse

- Il n'est pas possible d'éteindre des incendies de graisse en fermant le couvercle. Les grils sont bien aérés pour des raisons de sécurité.
- Si le gril n'a pas été nettoyé régulièrement, un feu de graisse pourrait s'ensuivre et endommager le produit. Surveillez bien le gril durant le préchauffage ou lorsque vous brûlez des résidus d'aliments au cas où un feu de graisse se produirait. Suivez les instructions d'entretien général du gril et de nettoyage des brûleurs afin de prévenir les feux de graisse.
- N'utilisez pas d'eau pour éteindre un incendie de graisse. Cela pourrait causer des blessures. Si un incendie de graisse se déclare, fermez les boutons et l'alimentation en gaz du réservoir de GPL.
- La meilleure façon de prévenir les feux de graisse est de nettoyer régulièrement votre gril.

ATTENTION

Si le fumeur doit s'éteindre accidentellement, tournez les boutons de réglage des brûleurs sur la position OFF, attendez pendant 5 minutes et recommencez la procédure d'allumage.

Mesures de sécurité pendant l'installation

- Utilisez seulement du gaz propane liquide (GPL) avec la friteuse; utilisez seulement le régulateur de pression de gaz et la valve du réservoir fournis avec la unité.
- L'installation de la appareil doit se conformer aux codes locaux, ou en leur absence, au *National Fuel Gas Code, ANSI Z223.1/NFPA 54, Natural Gas and Propane Installation Code, CSA B149.1, au Code sur le stockage et la manipulation du propane B149.2, ou à la norme Standard on Recreational Vehicles ANSI A 119.2/NFPA 1192, ainsi que le Code pour les Véhicules de camping CSA Z240 VC Série, selon le cas.*
- N'utilisez pas la unité à l'intérieur ou sur le pont des véhicules de plaisance ou des bateaux.
- Cette appareil est homologuée en matière de sécurité aux États-Unis uniquement. Ne le modifiez pas pour une utilisation dans un autre endroit. Toute modification créera un risque d'accident.

AVERTISSEMENT

CALIFORNIA PROPOSITION 65

1. Les sous-produits de combustion générés lors de l'utilisation de ce produit contiennent des produits chimiques qui, selon l'État de la Californie, causent le cancer, des anomalies congénitales ou d'autres dangers pour la reproduction.
2. Cet article contient des produits chimiques, y compris du plomb et des composés de plomb, qui, selon l'État de la Californie, causent le cancer, des anomalies congénitales ou d'autres dangers pour la reproduction.

Veillez vous laver les mains après avoir manipulé ce produit.

Sécurité alimentaire

La sécurité alimentaire contribue de façon importante à assurer une expérience agréable lors d'un barbecue en plein air. Pour protéger la nourriture des bactéries, respectez les quatre étapes de base suivantes.

Nettoyage : lavez-vous les mains, nettoyez les ustensiles et toutes les surfaces à l'eau chaude savonneuse avant et après avoir manipulé de la viande ou de la volaille crue.

Séparation : séparez la viande et la volaille crues des aliments prêts à être consommés afin d'éviter toute contamination entre les aliments. Utilisez un plateau et des ustensiles propres pour servir des aliments cuits.

Cuisson : cuisez entièrement la viande et la volaille afin de tuer les bactéries. Utilisez un thermomètre pour vous assurer que la nourriture a atteint des températures internes adéquates.

Réfrigération : réfrigérez sans tarder les aliments cuits et les restes.

Pour de plus amples renseignements à ce sujet, appelez la ligne d'assistance USDA Meat and Poultry Hotline au 1-800-535-4555. Si vous êtes à Washington D.C., composez le 202-720-3333, de 10 h à 16 h, HNE.

Comment déterminer si la viande est cuite à point

- La viande et la volaille cuites avec la unité brunissent souvent très vite en surface. Utilisez un thermomètre pour vous assurer que la nourriture a atteint une température interne adéquate et sécuritaire; ouvrez l'aliment en le coupant pour vous assurer qu'il est visiblement cuit à point.
- Nous recommandons que les aliments placés dans la unité aient une température d'au moins 4 °C (40 °F) avant de les faire cuire.
- La volaille entière devrait atteindre 74 °C (165 °F). Les jus qui s'égouttent doivent être transparents et la chair ne doit plus être rose.
- Les steaks, rôtis et côtelettes de bœuf, de veau et d'agneau peuvent être cuits à 71 °C (160 °F).
- Ne JAMAIS cuire la viande ou la volaille partiellement pour finir la cuisson plus tard. Cuisez les viandes entièrement afin d'éliminer complètement toutes les bactéries dangereuses.

Recommandé USDA

Les températures internes de cuisson

La viande hachée	
Boeuf, porc, veau, agneau	71 °C (160 °F)
Dinde, poulet	71 °C (165 °F)
Boeuf, veau, agneau	
Medium Rare	63 °C (145 °F)
Moyen	71 °C (160 °F)
Well Done	77 °C (170 °F)
Volaille	
Poulet et la Turquie, tout	71 °C (165 °F)
Pièces de volaille	71 °C (165 °F)
Duck & Goose	71 °C (165 °F)
Frais de porc	
Moyen	71 °C (160 °F)
Well Done	71 °C (170 °F)

Rangement de votre appareil

- Ranger dans un endroit sec.
- Lorsque la bouteille BP est raccordée à l'appareil, ranger à l'extérieur dans un espace bien ventilé et hors de la portée des enfants.
- Si le régulateur est débranché de la bouteille de gaz BP, un crochet est prévu pour fixer le régulateur à la poignée, tel qu'il est indiqué.

Utiliser le crochet métallique prévu pour ranger le régulateur.

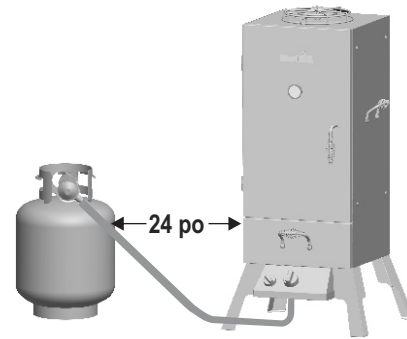


- Couvrir l'appareil s'il est rangé à l'extérieur. Choisir parmi une variété de couvertures offertes par le fabricant.
- Ranger à l'intérieur SEULEMENT si la bouteille de gaz BP est fermée et débranchée, retirée de l'appareil et rangée à l'extérieur.
- Au moment du déstockage, voir les consignes sur le « Nettoyage de l'ensemble brûleur » avant son utilisation.

UTILISATION ET ENTRETIEN



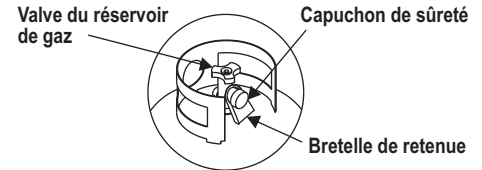
- N'entreposez JAMAIS un réservoir de gaz de rechange sous un appareil au gaz, à proximité de celui-ci ou dans un endroit fermé.**
- Ne remplissez jamais le réservoir à plus de 80 % de sa capacité.**
- Un réservoir de rechange rempli excessivement ou mal entreposé constitue un danger en raison des possibilités de fuite de gaz à partir de la soupape de sûreté et de décharge. Cela peut causer un incendie intense avec risques de dommages matériels, de blessures graves, voire de mort.**
- Si vous voyez, sentez, ou entendez une fuite de gaz, éloignez-vous immédiatement du réservoir de gaz et de l'appareil et appelez votre service d'incendie.**
- Gardez en tout temps le réservoir de gaz à une distance minimale de 24 pouces de la appareil.**



Démontage, transport et entreposage du réservoir de gaz

- FERMEZ tous les boutons de réglage et la valve du réservoir de gaz. Tournez à la main l'écrou d'accouplement dans le sens contraire des aiguilles d'une montre; n'utilisez pas d'outils pour débrancher le réservoir. Desserrez la vis du réservoir située sous la tablette inférieure ou déconnectez les autres dispositifs de retenue, puis soulevez le réservoir de gaz et retirez-le du chariot. Installez le capuchon de sûreté sur la valve du réservoir à gaz. Utilisez toujours le capuchon et la bretelle de retenue fournis avec la valve. **Faute d'utiliser le capuchon de sûreté selon les consignes, des blessures graves et des dommages matériels pourraient s'ensuivre.**

- Un réservoir de gaz qui a été débranché pour le transport ou pour l'entreposage doit comporter un capuchon de sécurité (tel qu'illustré). N'entreposez pas un réservoir de gaz dans un endroit fermé tel qu'un abri d'auto, un garage, un porche, un patio couvert ou d'autres constructions. Ne laissez jamais un réservoir de gaz dans un véhicule qui pourrait s'échauffer au soleil.
- N'entreposez pas un réservoir de gaz dans un endroit où les enfants jouent.



GPL (Gaz de pétrole liquéfié, ou gaz propane liquide)

- Le GPL n'est pas toxique; il est incolore et inodore lorsqu'il est produit. **Pour votre propre protection**, une odeur est ajoutée au GPL (semblable à l'odeur de chou pourri) afin que vous puissiez le sentir.
- Le GPL est très inflammable et peut s'allumer de manière inattendue.

Réservoir de gaz.

- Le réservoir de GPL utilisé avec votre gril doit satisfaire aux exigences suivantes :**
- Utilisez seulement un réservoir de GPL avec les dimensions suivantes : diamètre de 30,5 cm (12 po) x hauteur de 45,7 cm (18 po) et de capacité maximale de (20 lb).
- Les réservoirs de GPL doivent être fabriqués et étiquetés conformément aux spécifications pour les réservoirs de GPL du ministère du Transport (Department of Transportation : DOT) des États-Unis ou, au Canada, des normes CAN/CSA-B339 relatives aux cylindres, sphères et tubes pour le transport des matières dangereuses de Transport Canada (TC). Voir l'étiquette sur le collier du réservoir de GPL.
- La valve du réservoir de GPL doit comporter :
 - Un orifice de sortie de type 1 compatible avec le régulateur ou le gril.
 - Une soupape de sûreté et de décharge.
 - Un dispositif de protection contre le remplissage excessif homologué UL. Ce dispositif de sécurité est identifié par un unique volant de manœuvre triangulaire. **Utilisez seulement des réservoirs dotés de ce type de valve.**
- Le réservoir de GPL doit être disposé de manière à permettre l'élimination des vapeurs et doit comporter un collier de protection de la valve du réservoir. Gardez toujours les réservoirs de GPL à la verticale lors de l'utilisation, du transport et de l'entreposage.



Volant de manœuvre du dispositif de protection contre le remplissage excessif



Réservoir de gaz à la verticale pour permettre l'élimination des vapeurs

Remplissage du réservoir de GPL

- Ne faites appel qu'aux services de distributeurs autorisés d'expérience.
- Le réservoir de GPL doit être purgé avant le remplissage.
- Le distributeur **NE doit JAMAIS** remplir le réservoir de GPL à plus de 80 % de sa capacité volumétrique. Le volume de propane dans un réservoir varie selon la température.
- La présence de givre sur le régulateur indique un remplissage excessif. Fermez immédiatement la valve du réservoir de GPL et appelez votre distributeur de GPL local pour obtenir de l'aide.
- Ne relâchez pas de gaz de pétrole liquéfié (propane) dans l'air. Cela constitue une pratique dangereuse.
- Pour vider le gaz contenu dans un réservoir de GPL, demandez l'aide d'un distributeur de GPL ou du service d'incendie local. Regardez dans l'annuaire téléphonique sous « Fournisseurs de gaz » afin de localiser le distributeur de gaz agréé le plus proche de chez vous.

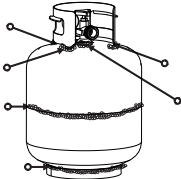
Échange de réservoir de GPL

- Plusieurs commerçants qui vendent la unité offrent la possibilité de souscrire à un service d'échange de réservoirs vides. Ne faites appel qu'aux services d'entreprises dignes de confiance qui soumettent leurs bouteilles de gaz à des inspections et des essais et qui certifient leurs bouteilles de gaz. **N'échangez votre réservoir que contre un réservoir équipé d'un dispositif de protection contre le remplissage excessif tel que décrit dans la section sur le « Réservoir de GPL » du présent guide.**
- Gardez toujours le réservoir de GPL neuf ou échangé en position verticale lors de son utilisation, de son transport et de son entreposage.
- Effectuez un **essai d'étanchéité des réservoirs de GPL neufs et échangés AVANT de les connecter à l'appareil.**
- Mettez capuchon de sûreté antipoussière sur la sortie du robinet d'une bouteille qui n'est pas utilisée. Utiliser uniquement le type capuchon de sûreté antipoussière fourni avec le robinet de la bouteille. D'autres types de bouchons pourraient ne pas être étanches et permettre des fuites de propane.

Essai d'étanchéité d'un réservoir de GPL

Pour votre propre sécurité

- Il est nécessaire de procéder à un essai d'étanchéité chaque fois que le réservoir de GPL est échangé ou rempli.
- Ne fumez pas pendant l'essai d'étanchéité.
- N'utilisez pas de flamme nue pour détecter une fuite de gaz.
- L'essai d'étanchéité de l'appareil doit se faire à l'extérieur, dans un endroit bien ventilé, loin de sources d'ignition telles que les appareils ménagers fonctionnant au gaz ou à l'électricité. Au cours de l'essai d'étanchéité, gardez l'appareil loin des flammes nues et des étincelles.
- Utilisez un pinceau propre et une solution à mesures égales d'eau et d'un savon doux. Appliquez la solution savonneuse sur les endroits marqués d'une flèche sur le schéma ci-dessous.
- N'utilisez pas de produits d'entretien ménagers.** Ils pourraient endommager des composants du circuit de gaz.

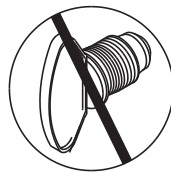
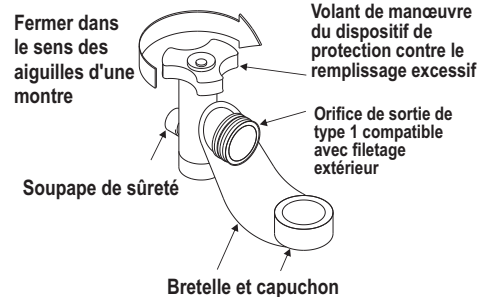


AVERTISSEMENT

Si des bulles « moussantes » apparaissent, n'utilisez pas le réservoir de GPL et ne le déplacez pas. Appelez un fournisseur de GPL ou votre service d'incendie!

Connexion du régulateur au réservoir de GPL

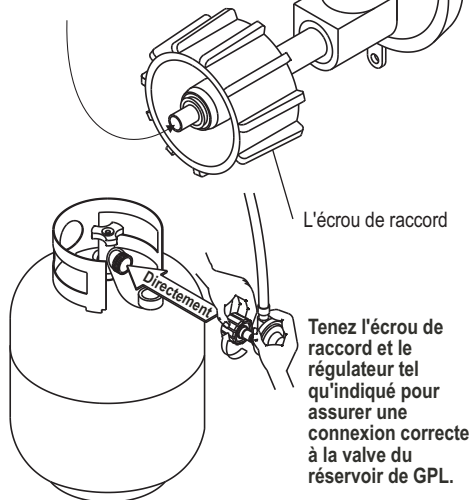
- Le réservoir de GPL doit être attaché à l'appareil de façon sécuritaire. (Reportez-vous à la section sur l'assemblage.)
- FERMEZ tous les boutons de réglage.
- Fermez le réservoir de gaz en tournant le volant de manœuvre de la valve à fond dans le sens des aiguilles d'une montre.
- Enlevez le capuchon de sûreté de la valve du réservoir. Utilisez toujours le capuchon et la bretelle de retenue fournis avec la valve.



N'utilisez pas de bouchon de transport de produits pétroliers (pièce en plastique avec filetage extérieur) ! Il empêchera le dispositif de sûreté de la valve de fonctionner.

- En tenant le régulateur, insérez le mamelon adaptateur dans la valve du réservoir de GPL. Serrez l'écrou de raccord à la main, en tenant le régulateur aligné avec la valve du réservoir de GPL de manière à ne pas fausser le filetage.

Le mamelon doit être centré dans la valve du réservoir de GPL.



- Serrez à fond l'écrou de raccord en tournant dans le sens des aiguilles d'une montre. Le régulateur s'attachera de façon étanche au dispositif de non-retour de la valve du réservoir de GPL ce qui occasionnera une certaine résistance. **Une rotation supplémentaire d'un demi à trois quart de tour est nécessaire pour achever le raccordement. Ne serrez qu'à la main - n'utilisez pas d'outils.**

REMARQUE : Si vous n'arrivez pas à compléter le raccordement, débranchez le régulateur et répétez les étapes 5 et 6. S'il vous est toujours impossible d'achever le raccordement, **ne vous servez pas de ce régulateur!**

DANGER

- N'insérez aucun corps étranger dans l'orifice de sortie de la valve ou dans la soupape de sûreté. Vous pourriez endommager la valve et provoquer une fuite. Une fuite de propane peut provoquer une explosion, un incendie, des blessures graves ou la mort.

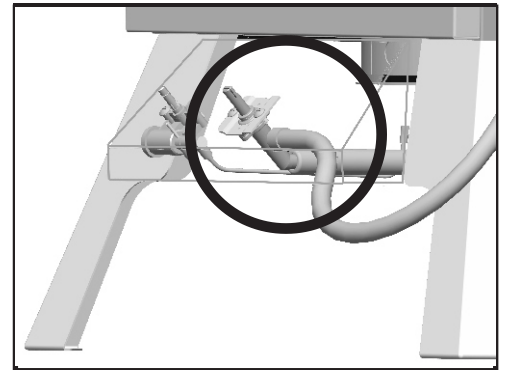
AVERTISSEMENT

- N'utilisez pas le gril avant d'en avoir vérifié l'étanchéité.
- Dès qu'une fuite est décelée, ARRÊTEZ!
- Si vous n'arrivez pas à arrêter une fuite de gaz en fermant la zone de congé de vanne de la bouteille de GPL et appelez le service d'incendie!

Essai d'étanchéité des valves, des tuyaux et du régulateur

- Tournez tous les boutons de réglage en position d'arrêt (OFF).
- Assurez-vous que le régulateur est attaché de façon étanche à la valve du réservoir.
- Ouvrez la valve du réservoir complètement en la tournant dans le sens contraire des aiguilles d'une montre. Si vous entendez *un souffle ou un sifflement*, fermez immédiatement la valve du gaz. Cela indique que le raccord comporte une fuite importante. **Corrigez le problème avant de poursuivre.**

- Badigeonnez les raccords suivants de solution savonneuse : ou d'autres accessoires sur votre grille.



- Si des bulles « moussantes » apparaissent, c'est qu'il y a une fuite. Fermez immédiatement la valve du réservoir de gaz et resserrez tous les raccords. **Si vous n'arrivez pas à arrêter les fuites, n'essayez pas de les colmater vous-même.** Appelez-nous pour obtenir des pièces de rechange. Pour commander des pièces de rechange, appelez le Centre de service pour grils et donnez le numéro de série, le modèle et le nom des pièces dont vous avez besoin.
- Fermez toujours la valve du réservoir de GPL après chaque essai d'étanchéité en tournant le volant de manœuvre dans le sens des aiguilles d'une montre.

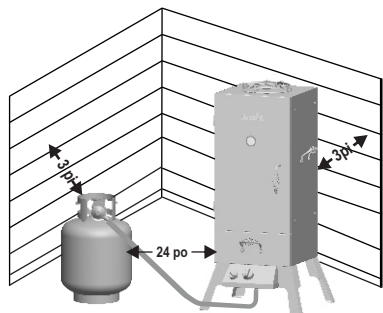
AVERTISSEMENT

- L'appareil d'utilisation extérieure du gaz n'est pas conçu pour être installé sur ou dans un bateau.
- L'appareil d'utilisation extérieure du gaz n'est pas conçu pour être installé sur ou dans un VR.
- Ne tentez jamais de raccorder ce gril au système de GPL autonome d'une tente-caravane ou d'une autocaravane.

AVERTISSEMENT

Pour utiliser la unité en toute sécurité et pour éviter des blessures graves :

- La consommation d'alcool ou de médicaments, qu'ils soient en vente libre ou sur ordonnance, peut affecter la capacité de l'utilisateur de l'appareil lors de son installation ou de son utilisation.
- Avant de procéder à la cuisson d'aliments avec l'appareil, celui-ci doit être positionné de niveau sur une surface stable et incombustible, et ce, dans un endroit libre de tout matériel inflammable. Il se peut qu'une surface asphaltée (revêtement bitumineux) ne soit pas convenable à cette fin.
- Ne laissez pas l'appareil sans surveillance. Gardez les enfants et les animaux à distance de l'appareil en tout temps.
- Ne placez aucun récipient de cuisson vide sur l'appareil lorsque celui-ci fonctionne. Soyez prudent au moment de placer quoi que ce soit dans un récipient de cuisson lorsque l'appareil fonctionne.
- Ne déplacez pas l'appareil lorsqu'il est en marche. Attendez que l'appareil se soit refroidi suffisamment pour atteindre une température sous les 45 °C (115 °F) avant de le déplacer ou de l'entreposer.
- Cet appareil n'a pas été conçu pour servir de radiateur ou d'appareil de chauffage.
- L'appareil sera chaud après avoir servi. Utilisez des gants ou des mitaines de cuisine, ainsi que des ustensiles de cuisson au barbecue à long manche comme protection contre les surfaces brûlantes et les éclaboussures de liquides chauds.
- Gardez l'espace autour de l'appareil propre et libre de tout matériel inflammable.
- L'appareil doit être installé dans un endroit libre de matériaux combustibles, d'essence, ainsi que de tout autre gaz ou liquide inflammable.
- « Tenir le tuyau d'alimentation loin des surfaces chauffées. »
- Ne vous servez de l'appareil que dans un endroit bien aéré. Ne l'utilisez JAMAIS dans un endroit fermé comme un abri d'auto, un garage, un porche, un patio couvert ou sous toute surface surplombante quelle qu'elle soit.
- Gardez une distance d'au moins 1 m (3 pi) entre l'appareil et toute surface ou mur lorsque vous l'utilisez.** Gardez un espace dégagé de 3 m (10 pi) entre l'appareil et tout objet inflammable, ainsi que toute source d'allumage telle que la veilleuse d'un chauffe-eau, un appareil ménager sous tension, etc.



- N'essayez JAMAIS d'allumer un brûleur lorsque le couvercle du gril est fermé. Une accumulation de gaz non brûlé à l'intérieur d'un gril fermé constitue un danger.
- N'utilisez pas le gril lorsque le réservoir de GPL n'est pas dans la position appropriée telle que spécifiée dans les instructions d'assemblage.
- Refermez toujours la valve du réservoir et enlevez l'écrou de raccord avant de déplacer le réservoir de GPL de sa position de fonctionnement.

Résidents d'appartements :

Renseignez-vous auprès de l'administration pour connaître quelles sont les exigences et les codes d'incendie applicables à l'utilisation d'un gril à gaz dans votre immeuble. Si l'utilisation du gril est permise, utilisez-le à l'extérieur au rez-de-chaussée à une distance de 1 m (3 pi) des murs ou des rampes. Ne l'utilisez pas sur un balcon ou en dessous de celui-ci.

Consignes de sécurité

- Avant d'ouvrir la valve du réservoir de GPL, vérifiez que l'écrou de raccord est bien serré.
- Lorsque vous n'utilisez pas la unité, mettez tous les boutons de réglage et la valve du réservoir de GPL en position d'arrêt.
- Porte du fumeur doit être ouvert alors qu'il tentait d'allumer le brûleur.
- Le récipient à graisse **doit** être inséré dans la unité et vidé après chaque utilisation. N'enlevez pas le récipient à graisse tant que la unité n'a pas complètement refroidi.
- Si vous remarquez que de la graisse ou qu'une autre matière chaude s'égoutte de la unité sur la valve, le tuyau ou le régulateur, coupez immédiatement l'alimentation en gaz. Déterminez l'origine du problème, corrigez-le, puis nettoyez et inspectez le système de valve, le tuyau ou le régulateur avant de continuer. Effectuez un essai d'étanchéité.
- Ne rangez pas d'objets ou de matériaux à l'intérieur du chariot de la unité et contribuant à bloquer la circulation d'air dans la partie inférieure du tableau de commande ou de la cuvette du foyer.
- Le régulateur peut émettre un bourdonnement ou un sifflement en cours de fonctionnement. Cela n'affecte ni la sécurité ni le bon fonctionnement de la unité.
- En cas de problème avec la unité, consultez la section « Dépannage ».
- Si du givre se forme sur le régulateur, fermez la unité immédiatement, ainsi que la valve du réservoir de GPL. Cela indique que le réservoir est défectueux et qu'il ne faut l'utiliser avec aucun appareil. Adressez-vous au fournisseur de gaz!
- Nettoyez fumeur souvent, de préférence après chaque barbecue. Si une brosse est utilisée pour le nettoyage des surfaces de cuisson, assurez-vous qu'aucune soie ne reste sur les surfaces de cuisson avant de cokéfaction. Il n'est pas recommandé de nettoyer les surfaces de cuisson chaud.

Allumage de l'allumeur

- Ne pas se pencher sur l'appareil au moment de l'allumage.**

- Ouvrir la bouteille de gaz GPL.
- Ouvrir la porte de la chambre de fumée.
- Enfoncer, puis tourner le bouton de commande sur HIGH (feu vif).
- Turner le bouton de l'ALLUMEUR ROTATIF rapidement.
- Retirer le tiroir du foyer pour vérifier que le brûleur est allumé.
- Si l'appareil ne s'allume pas en 5 secondes, fermez le robinet du brûleur, attendez 5 minutes, et procédez de nouveau à l'allumage.

Si l'allumage ne se produit toujours pas, suivez les instructions pour l'allumage avec une allumette.



AVERTISSEMENT

Fermez les boutons de contrôle et le gaz au niveau du réservoir ou de la source d'alimentation quand l'appareil n'est pas utilisé.

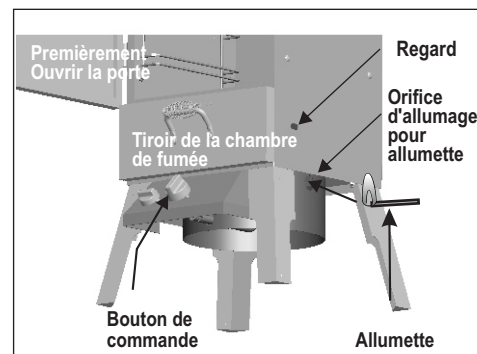
ATTENTION

Si le brûleur ne s'allume PAS dans les 5 secondes, mettez tous les boutons de contrôle des brûleurs en position d'arrêt, attendez 5 minutes, puis répétez la procédure d'allumage. Si le brûleur ne s'allume pas lorsque la valve est ouverte, le gaz continuera de s'échapper du brûleur et pourrait s'enflammer accidentellement et causer des blessures.

Allumage avec une allumette

Ne pas se pencher sur l'appareil au moment de l'allumage.

- Ouvrir la bouteille de gaz GPL.
- Ouvrir la porte de la chambre de fumée.
- Placer une allumette allumée dans l'orifice d'allumage pour allumette de l'appareil, tel qu'il est illustré sur la photo. S'assurer que l'allumette allumée est placée à l'intérieur de l'orifice, près du brûleur.
- Enfoncer, puis tourner le bouton de commande sur HIGH (feu vif).
- Retirer le tiroir du foyer pour vérifier que le brûleur est allumé.

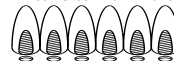


Vue latérale de l'appareil

Vérifier la flamme du brûleur

- Allumer le brûleur, tourner le bouton de **HIGH** (feu vif) à **LOW** (feu doux). En regardant dans l'orifice d'allumage pour allumette sous l'appareil, vous devriez voir la hauteur de flamme diminuer lorsque vous tournez le bouton de **HIGH** (feu vif) à **LOW** (feu doux). Toujours vérifier la flamme avant chaque utilisation. Si seulement une petite flamme est obtenue, voir « Chute soudaine ou petite flamme » à la section *Dépannage*.

Intensité maximale (HIGH)



Intensité minimale (LOW)



Éteindre l'appareil

- Turner le bouton de commande à la position **OFF** (arrêt). Fermer la bouteille de gaz BP en tournant le volant de manœuvre dans le sens horaire jusqu'à fermeture complète.

Vérifier l'allumeur

- Fermer le gaz sur la bouteille BP.** Turner le bouton de l'allumeur. Un « Clic » devrait être entendu chaque fois à l'électrode. Voir la section « *Dépannage* » si aucun(e) clic ou étincelle ne se produit.

Vérifier le robinet

- Important :** S'assurer que le gaz est fermé sur la bouteille BP avant de vérifier le robinet. Le bouton se verrouille à la position **OFF** (arrêt). Pour vérifier le robinet, enfoncer d'abord le bouton de commande, puis relâcher, le bouton de commande devrait revenir à sa position initiale. Si le bouton ne revient pas, remplacer l'ensemble robinet avant d'utiliser la Friteuse sans huile. Turner le bouton de commande à la position **HIGH** (feu vif), puis le retourner à la position **OFF** (arrêt). Le robinet devrait tourner librement.

Vérifier le flexible

- Avant chaque utilisation, vérifier que le flexible n'est pas coupé, usé ou déformé. Remplacer le flexible endommagé avant d'utiliser l'appareil. **Utiliser uniquement un robinet/flexible/régulateur spécifié par le fabricant.**



Nettoyage général de la unité

- Thermomètre viande :** Ne pas plonger ou tremper dans l'eau. lavez à l'eau savonneuse chaude et séchez en essuyant.
- De confondez pas les accumulations brunes ou noires de graisse et de fumée avec de la peinture. Les surfaces intérieures de l'appareil ne sont pas peintes en usine (**et ne doivent jamais être peintes**). Utilisez une solution de détergent puissant et d'eau ou utilisez un produit de nettoyage pour grils et une brosse à récurer sur les surfaces intérieures du couvercle de la appareil et du fond de celle-ci. Rincez et laissez sécher complètement à l'air. **N'utilisez pas de produit de nettoyage caustique pour gril ou four sur les surfaces peintes.**
- Pièces de plastique :** lavez à l'eau savonneuse chaude et séchez en essuyant. N'utilisez pas de Citrisol, de produits de nettoyage abrasifs, d'agents de dégraissage ou de produits de nettoyage de gril concentré sur les pièces en plastique. Cela pourrait les endommager et causer des défaillances dans leur fonctionnement.
- Surfaces peintes :** lavez avec un détergent doux ou avec un nettoyeur non abrasif et de l'eau chaude savonneuse. Essayez avec un chiffon doux non abrasif.

Précautions de sécurité pendant la cuisson :

- Les surfaces extérieures de votre fumeur™ peuvent devenir extrêmement chaudes pendant l'utilisation. S'assurer de porter des gants de cuisine ou des gants isolants avant de faire des ajustements au Registre de tirage supérieur ou au moment de l'ouverture de la porte de la chambre de fumée.

Niveau d'eau

- Observer le niveau d'eau. Toujours garder de l'eau dans le bac à eau (sauf si vous souhaitez brunir les aliments); ils peuvent brûler rapidement si l'eau s'évapore complètement. Lorsque vous utilisez la chambre de fumée, soyez prudent(e) au moment d'ajouter de l'eau à celle-ci si elle est chaude.

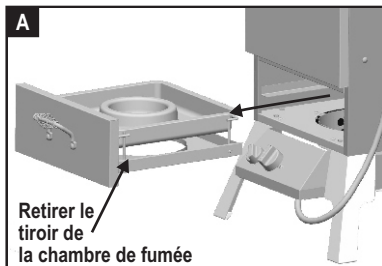
Nettoyage de l'ensemble brûleur

Suivre ces consignes pour nettoyer et/ou remplacer les pièces de l'ensemble brûleur ou si vous avez de la difficulté à allumer l'appareil.

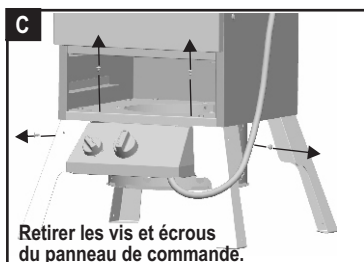
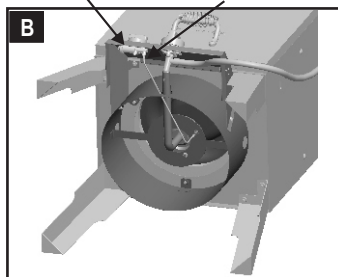
- Fermer le gaz au bouton de commande et sur la bouteille de gaz BP, puis retirer le régulateur de la bouteille.**
- Retirer le tiroir de la chambre de fumée et le bac à eau, tel qu'il est indiqué à **A**.
- Retirer le fil-électrode de l'allumeur rotatif, tel qu'il est indiqué à **B**.
- Retirer les 4 vis et écrous du panneau de commande. Tel qu'il est indiqué à **C**.
- Retirer le panneau de commande/robinet de commande du brûleur.
- Faire glisser l'ensemble panneau de commande de l'appareil, tel qu'il est indiqué à **D**.
- Nous recommandons trois façons de nettoyer les intérieurs du brûleur du brûleur (voir l'illustration **E**). Choisissez celle qui vous semble la plus facile.
 - Faites un petit crochet à l'aide d'un fil raide (un cintre léger fait très bien l'affaire). Passez le crochet à plusieurs reprises dans chaque tube de brûleur.
 - En utilisant un goupillon étroit à manche souple (ne vous servez pas d'une brosse métallique en laiton), passez-en les poils plusieurs fois dans chaque tube de brûleur.
 - Portez des lunettes de sécurité** : servez-vous d'un tuyau à air pour forcer un jet d'air dans le tube du brûleur qui sortira par les orifices de combustion. Examinez chaque orifice afin de vous assurer que de l'air sort par chacun d'eux.
- Vérifiez si les brûleurs ne sont pas endommagés. En raison de l'usure normale et de la corrosion, certains trous peuvent s'être agrandis. Si vous notez de larges fissures ou de grands trous, remplacez le brûleur.
- Fixez l'électrode au brûleur.
- Remettez soigneusement en position l'assemblage du tableau de commande.

TRÈS IMPORTANT : les tubes du brûleur doivent pénétrer à nouveau dans l'ouverture de la valve (voir l'illustration **F).**

- Replacez le couvercle, le panier de cuisson et le revêtement intérieur.



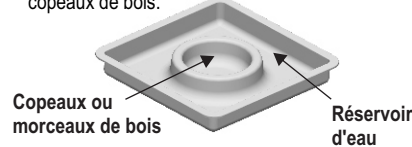
Allumeur rotatif Retirer le fil-électrode de l'allumeur rotatif



Consignes d'installation

Utilisation de copeaux ou de morceaux de bois

- Les copeaux ou les morceaux de bois secs aromatiques doivent être saturés d'eau, de sorte que lorsqu'ils sont déposés dans le bac à eau, une fumée de feu couvant en résulte. Les copeaux et les morceaux de bois peuvent être trempés pendant longtemps; cependant, deux heures sont suffisantes. En règle générale, utiliser des morceaux de bois pour fumer pendant 3 heures ou plus et des copeaux de bois pour 3 heures ou moins. Commencer par 3 morceaux de bois ou 355 mL (1 1/2 tasse) de copeaux de bois.



Vaporiser l'intérieur de la porte et l'enceinte avec de l'huile végétale antiadhésive. Placer le bac à eau sur les supports dans le tiroir de la chambre de fumée. Utiliser un contenant de quatre litres (un gallon), remplir le bac à eau aux 2/3 avec de l'eau chaude du robinet. Ne pas trop remplir le bac à eau.

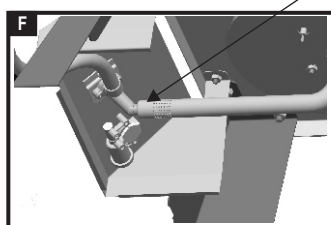
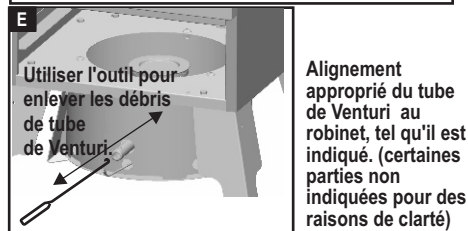
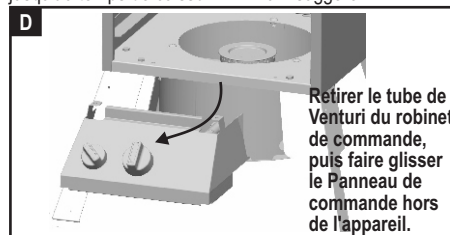
Eau ou jus?

Mettre seulement de l'eau dans le bac à eau est suffisant, mais ce n'est pas le seul choix viable. Jus de fruits, cola, bière, vin, marinades égouttées et même l'eau dans laquelle le bois a été trempé font des sources aromatiques savoureuses. En outre, les branches de céleri, les oignons, les carottes, les pommes, le poivre et les feuilles de laurier ne sont que quelques-uns des autres sources de saveur populaires à ajouter au bac à eau.

Avant chaque utilisation, inspecter le couvercle intérieur et la surface de l'enceinte pour l'accumulation de particules lâches. Nettoyer tout résidu ou de flocon lâche de sorte qu'ils ne tombent pas sur les aliments pendant la cuisson.

Avant la cuisson, recouvrir les grilles avec de l'huile ou avec une pulvérisation d'huile végétale. En utilisant des gants de cuisine, placer soigneusement les grilles de cuisson dans la chambre de fumée. Les grosses pièces de viande ou les aliments qui cuisent pendant de longues périodes de temps doivent être placés sur la grille de cuisson inférieure. Si vous faites cuire les aliments en plusieurs morceaux, tels que des carrés de côtes ou des poulets de Cornouailles, assurez-vous de laisser un espace adéquat pour la circulation uniforme de la chaleur. En utilisant des gants de cuisine, placer soigneusement la grille de cuisson supérieure dans la chambre de fumée. Les petits alimentaires nécessitent moins de temps de cuisson et doivent être placés sur la grille de cuisson supérieure.

Après avoir terminé, fermer la porte et laisser intact jusqu'au temps de cuisson minimum suggéré.



Les viandes qui nécessitent plus de 4 heures de temps de cuisson pour atteindre le degré de cuisson souhaité peuvent nécessiter de l'eau supplémentaire. La quantité initiale d'eau chaude ajoutée (4 litres) devrait durer de 4-6 heures. Après les 4-6 heures, vérifier le niveau d'eau et ajouter plus d'eau chaude, au besoin.

Utiliser un thermomètre à viande pour mesurer la chaleur interne des aliments. L'apparence des aliments fumés ne ressemble à aucune autre méthode de cuisson, en particulier pour les viandes blanches comme le porc, le dindon, le poulet et les poulets de Cornouailles. L'extérieur sera rouge rosâtre alors que l'intérieur, s'il est cuit à perfection, sera souvent rose. Les jus de la volaille bien cuite seront clairs lorsqu'elle sera piquée avec une fourchette.

Le poisson est cuit lorsqu'il se défait facilement à la fourchette. Les crevettes devraient être croquantes lorsqu'elles sont cuites. Retirer les aliments de la chambre de fumée avant le découpage. Pour les viandes brunes, cuire pendant une demi-heure supplémentaire ou plus, sans eau dans le bac à eau.

La performance de la chambre de fumée est en fonction de la température ambiante et des conditions de vent. Avec une température inférieure à 60 °F et des vents de 5 mi/h ou plus, la chambre de fumée peut perdre une quantité importante de chaleur et vous ne pouvez peut-être pas augmenter la température interne de la viande suffisamment pour la faire cuire dans un délai raisonnable.

Votre chambre de fumée comporte un tiroir qui est utilisé pour contenir le bac à eau. Ce tiroir vous permettra de surveiller le niveau d'eau dans la chambre de fumée sans avoir à ouvrir la porte. L'ouverture de la porte pendant la cuisson permettra à la chaleur de s'échapper et d'augmenter de façon significative le temps de cuisson.

Vous pourrez utiliser votre chambre de fumée sans eau dans le bac à eau. Cependant, NE PAS utiliser la chambre de fumée, sans le bac à eau installé de façon appropriée. Ceci permettra de laisser passer la graisse fondue et les jus de cuisson des aliments à travers l'appareil sur le plancher ou la surface sur laquelle l'appareil repose.

Badigeonner la volaille et les viandes naturellement maigres avec de l'huile de cuisson, du beurre ou de la margarine avant la cuisson.

Pour la cuisson de plus d'un morceau de viande, le temps de cuisson est déterminé par le plus grand morceau à cuire.

La viande s'arrose elle-même pendant la cuisson. Aucun badigeonnage ou retournement des aliments ne s'avère nécessaire pendant la cuisson dans la chambre de fumée. Pour une plus grande variété, la marinade de sauce barbecue peut être appliquée avant de placer les aliments dans la chambre de fumée.

Résister à la tentation d'ouvrir la porte pendant la cuisson. L'ouverture de la porte provoquera une perte de chaleur, ce qui se traduira par des temps de cuisson plus longs.



ATTENTION AUX ARAIGNÉES!

ARAIGNÉES ET TOILES À L'INTÉRIEUR DU BRÛLEUR



Si votre appareil devient difficile à allumer ou que la flamme est faible, vérifiez et nettoyez les tubes venturi et les brûleurs.

Des araignées ou de petits insectes peuvent créer des problèmes de « retour de flamme » en construisant des nids et en pondant dans les tubes venturi ou les brûleurs et en obstruant ainsi l'écoulement de gaz. Le gaz refoulé peut s'enflammer derrière le tableau de commande. Ce retour de flamme peut endommager le gril et causer des blessures. Afin de prévenir les retours de flamme et de garantir le bon fonctionnement du brûleur et du tube venturi, il faut retirer et nettoyer l'assemblage lorsque l'appareil n'a pas été utilisé depuis longtemps.

GARANTIE LIMITÉE

La présente garantie n'est valide que pour les appareils achetés auprès d'un détaillant autorisé. Le fabricant garantit à **l'acheteur initial**, et uniquement celui-ci, que le produit est exempt de tout défaut de matériel et de main-d'œuvre, dans la mesure où il a été assemblé correctement, qu'il est utilisé de façon normale et raisonnable à des fins personnelles, et ce, pendant la durée de la période indiquée ci-dessous et commençant le jour de la d'achat du produit*. Le fabricant se réserve le droit de demander au client que les pièces défectueuses lui soient expédiées, port ou fret prépayé, pour fins d'examen.

Portée de la couverture	Période de couverture	Type de défaillances couvertes
Toutes les parties	1 an à compter de la date d'achat *	Perforation, Défauts de fabrication et de matériel Uniquement

*Remarque : dans la mesure où le client inscrit le produit et fournit un exemplaire du reçu de caisse ou de la facture portant la date de l'achat, la période de couverture de la garantie sera étendue de façon à commencer à la date d'achat du produit.

L'acheteur initial assume la responsabilité de l'ensemble des frais d'expédition pour le remplacement de pièces en vertu des modalités de la présente garantie limitée.

Cette garantie limitée n'est valide qu'aux États-Unis et au Canada; elle n'est en vigueur que pour l'acheteur initial du produit et n'est pas transférable. **Le fabricant exigera une preuve de la date d'achat. Par conséquent, vous devez conserver votre reçu de caisse ou votre facture.** L'enregistrement du produit ne constitue pas une preuve d'achat. Il n'appartient pas au fabricant de tenir un dossier des achats des clients.

La présente garantie limitée vise **UNIQUEMENT** le fonctionnement du produit et elle ne touche donc pas les questions esthétiques, telles les égratignures, les bosses, la corrosion ou la décoloration causée par la chaleur, des nettoyants abrasifs ou chimiques, quelque outil que ce soit employé lors de l'assemblage ou de l'installation de l'appareil, la rouille en surface, ni la décoloration des surfaces en acier inoxydable. **Rouille n'est pas considéré comme un matériel de fabrication ou de défaut.**

La présente garantie limitée ne couvre pas le remboursement de frais associés à un inconfort, à une perte de nourriture, à des blessures personnelles ou au bris de biens matériels.

ÉLÉMENTS NON REMBOURSÉS PAR LE FABRICANT :

1. Frais d'expédition, service régulier ou accéléré, tant pour une pièce couverte par la garantie que pour une pièce de rechange.
2. Visite d'un réparateur à votre domicile.
3. Les réparations lorsque le produit est employé à des fins autres qu'un usage normal résidentiel pour une seule famille.
4. Des dommages, des défaillances ou des difficultés de fonctionnement découlant d'un accident, d'une modification, d'une manipulation négligente, d'une mauvaise utilisation, d'un usage abusif, d'un incendie, d'une inondation, d'une catastrophe naturelle, d'une installation ou d'un entretien inadéquats, d'un montage non conforme aux codes de l'électricité et de plomberie en vigueur, ou de l'utilisation de produits non approuvés par le fabricant.
5. Toute perte de nourriture causée par une défaillance du produit ou des difficultés de fonctionnement.
6. Les pièces de rechange ou les coûts de la main-d'œuvre pour un appareil ayant fonctionné hors des États-Unis ou du Canada.
7. Le ramassage et la livraison du produit.
8. La réparation de pièces ou de systèmes suite à des modifications non autorisées apportées au produit.
9. Le démontage ou la réinstallation de l'appareil.

STIPULATION D'EXONÉRATION DE GARANTIES et LIMITATION DES RECOURS

La réparation ou le remplacement d'une pièce défectueuse constitue votre seul recours en vertu des modalités de la présente garantie limitée. En cas de problèmes de disponibilité des pièces, le constructeur se réserve le droit de remplacer des pièces similaires qui sont également fonctionnels. Le fabricant n'assume aucune responsabilité pour tout dommage consécutif ou accessoire découlant d'une violation soit de la présente garantie soit de toute autre garantie tacite, ou pour une défaillance ou des dommages résultant d'une calamité naturelle, d'un entretien inadéquat, d'un incendie de graisse, d'un accident, d'une modification apportée à l'appareil, du remplacement de pièces par une personne autre que le fabricant, d'un mauvais usage, du transport, d'une utilisation commerciale, d'un usage abusif, de la présence d'environnements hostiles (temps non clément, catastrophes naturelles, altération par les animaux), d'une installation inadéquate ou non conforme aux codes locaux, ou des instructions imprimées du fabricant.

LA PRÉSENTE GARANTIE LIMITÉE CONSTITUE L'UNIQUE GARANTIE EXPLICITE ÉMISE PAR LE FABRICANT. LE FABRICANT NE FORMULE AUCUNE DÉCLARATION NI DESCRIPTION DE RENDEMENT ASSOCIÉE AU PRODUIT, PEU IMPORTE OÙ CELLE-CI POURRAIT FIGURER, SAUF DANS LES ÉNONCÉS DE LA PRÉSENTE GARANTIE LIMITÉE. TOUTE PROTECTION DE GARANTIE TACITE DÉCOULANT DES LOIS D'UN ÉTAT OU D'UNE PROVINCE, Y COMPRIS LES GARANTIES IMPLICITES DE QUALITÉ MARCHANDE OU D'ADAPTATION À UN USAGE OU OBJECTIF PARTICULIER., SE LIMITE À LA DURÉE DE LA PRÉSENTE GARANTIE LIMITÉE.

Ni les représentants commerciaux ni les détaillants vendant l'appareil n'ont l'autorisation de produire une garantie supplémentaire ni de promettre des recours s'ajoutant à ceux mentionnés ci-dessus, qu'ils soient ou non compatibles avec ceux-ci. Dans tous les cas, la responsabilité maximale du fabricant ne pourra dépasser le prix d'achat de l'appareil payé par l'acheteur initial.

REMARQUE : certains États ou certaines provinces n'autorisent pas les exclusions ou les restrictions de dommages consécutifs ou accessoires, de sorte qu'il est possible que certaines des restrictions ou exclusions ci-dessus ne s'appliquent pas à vous. La présente garantie limitée vous donne des droits juridiques spécifiques qui sont exposés aux présentes. Il est possible que vous disposiez d'autres droits qui peuvent varier d'un État et d'une province à l'autre. Dans l'État de Californie uniquement, si la remise en état ou le remplacement du produit n'est pas commercialement possible, le détaillant ayant vendu l'appareil ou le fabricant rembourseront le montant payé par l'acheteur, et déduiront une somme directement proportionnelle à l'utilisation par l'acheteur initial avant la découverte de la non-conformité. De plus, dans l'état de Californie uniquement, vous pouvez rapporter l'appareil au détaillant qui vous a vendu le produit afin de bénéficier des privilèges que vous donne la présente garantie limitée.

Si vous désirez qu'une obligation, quelle qu'elle soit, soit exécutée en vertu de la présente garantie limitée, vous devez écrire à :

**Consumer Relations
P. O. Box 1240
Columbus, GA 31902-1240**

Les retours de marchandise des clients ne seront acceptés que si une autorisation de retour (Return Authorization) valide a été obtenue au préalable. Les retours autorisés doivent être clairement identifiés par leur numéro sur l'extérieur de l'emballage. De plus, le fret ou les frais d'expédition doivent être prépayés. Tout retour de marchandise d'un client qui ne satisfait pas à ces critères sera refusé.

ÍNDICE DE MATERIAS

Información de inscripción de la garantía.....	1
Por su propia seguridad.....	14
Símbolos de seguridad.....	14
Seguridad para la instalación.....	14
Seguridad con los alimentos.....	15
Uso y mantenimiento.....	15-18
Garantía limitada.....	19
Lista de piezas.....	22
Schéma des pièces.....	23
Armado.....	24-33
Resolución de problemas.....	38-39
Tarjeta de inscripción.....	43

Este manual de instrucciones contiene información importante, necesaria para armar la freidora adecuadamente y usarla de manera segura.

Lea y siga todas las advertencias e instrucciones antes de ensamblar y utilizar el aparato.

Cuando use la freidora, siga todas las advertencias y las instrucciones.

Símbolos de seguridad

Los símbolos y las casillas ilustradas más adelante explican lo que significa cada encabezado. Lea y cumpla lo indicado en los mensajes que se encuentran en todo el manual.

ADVERTENCIA

ADVERTENCIA: Indica una situación potencialmente peligrosa o una práctica insegura que, de no evitarse, podría causar lesiones leves o menores.

ADVERTENCIA

ADVERTENCIA: Indica una situación potencialmente peligrosa que, de no evitarse, podría causar la muerte o lesiones graves.

PELIGRO

PELIGRO: Indica una situación peligrosa inminente que, de no evitarse, ocasionará la muerte o lesiones graves.

A LA PERSONA QUE INSTALE O ENSAMBLE ESTA PARRILLA:

Deje este manual al cliente.

AL CONSUMIDOR:

Conserve este manual para que lo pueda consultar en el futuro.

ESTA PARRILLA SOLO SE PUEDE USAR EN EXTERIORES.

PELIGRO

Si siente olor a gas:

1. Cierre el paso de gas al aparato.
2. Apague toda llama al descubierto.
3. Abra la tapa.
4. Si persiste el olor, aléjese de la freidora y llame inmediatamente al proveedor local de gas o a los bomberos.

El no cumplir con todas estas instrucciones puede ocasionar incendios o explosiones que pueden causar daños materiales, lesiones o la muerte.

PELIGRO

1. Nunca deje desatendida esta freidora cuando la esté usando.
2. Nunca la use a una distancia menor que 10 pies (3 m) de cualquier estructura, material combustible u otro tanque de gas
3. Nunca la use a una distancia menor que 25 pies (7.5 m) de cualquier líquido inflamable.
4. En caso de ocurrir un incendio, aléjese del aparato y llame de inmediato a los bomberos.

El no cumplir con estas instrucciones puede crear el riesgo de incendio, de explosión o de quemaduras que pueden causar daños materiales, lesiones o la muerte.

ADVERTENCIA

El no cumplir con todas instrucciones del fabricante puede ocasionar graves y/o daños materiales.

ADVERTENCIA

Sólo para uso particular. No lo use para fines comerciales.

ADVERTENCIA

Antes de empezar a ensamblar la parrilla y cocinar, lea y siga todas las indicaciones de seguridad, las instrucciones de ensamblado y las instrucciones de uso y de cuidado

ADVERTENCIA

Ciertas pueden tener bordes cortantes. Si es necesario, use guantes protectores.

ADVERTENCIA

No intente reparar ni modificar la unidad de la manguera/la válvula/el regulador debido a un "supuesto" defecto. Toda modificación a esta unidad anulará la garantía y creará el riesgo de una fuga de gas e incendio. Use únicamente repuestos autorizados, suministrados por el fabricante.

ADVERTENCIA

Fuego de Grasa

- No es posible apagar los fuegos provocados por la grasa cerrando la tapa. Por razones de seguridad, las parrillas tienen aberturas de ventilación.
- No use agua para apagar los fuegos provocados por la grasa. Esto puede ocasionar lesiones. Si surge un fuego provocado por la grasa, cierre las perillas y el tanque de gas.
- Si el asador no se ha limpiado regularmente, podría ocurrir fuego causado por la grasa que podría dañar el producto. Preste mucha atención mientras precalienta o quema los residuos de comida para asegurar que no se cause fuego debido a la grasa. Siga las instrucciones de Limpieza general del asador y de Limpieza del conjunto del quemador para prevenir fuego causado por grasas.
- La mejor forma de prevenir fuegos causados por grasas es la limpieza regular del asador.

ADVERTENCIA

Si la ahumador se apaga accidentalmente, gire las perillas de control del quemador a la posición de APAGADO, espere 5 minutos y repita el procedimiento de encendido.

Medidas de seguridad para la instalación

- Use su aparato, tal como lo compró, únicamente con gas propano y con la unidad de regulador/válvula suministrada.
- La instalación de su aparato se debe realizar de conformidad con los códigos locales o, en su defecto, ya sea con la norma ANSI Z223.1/NFPA 54 del Código nacional sobre gases combustibles (o National Fuel Gas Code), la norma CSA B149.1 del Código para las instalaciones de gas natural y gas propano (o Natural Gas and Propane Installation Code), la norma B149.2 del Código para el almacenamiento y la manipulación de gas propano (o Propane Storage and Handling Code), la norma CSA C22.1 del Código canadiense sobre electricidad (o Canadian Electrical Code) o con la norma ANSI sobre vehículos recreativos (o Standard for Recreational Vehicles), la norma ANSI A119.2/NFPA 1192 de la Norma para vehículos de recreación (o Standard for Recreational Vehicles), y con el Código para vehículos de recreación de la serie CSA Z240 RV, (o Recreational Vehicle Code), según corresponda.
- No se debe usar este aparato en vehículos de recreo ni en embarcaciones.
- Este aparato únicamente cuenta con la certificación de seguridad para ser usado en los Estados Unidos y en Canadá. No la modifique para usarlo en ningún otro lugar. Cualquier modificación puede poner en peligro su seguridad.

ADVERTENCIA

PROPOSICION 65 DEL ESTADO DE CALIFORNIA

1. En el estado de California se sabe que los subproductos de la combustión, que se producen al usar este producto, contienen sustancias químicas que causan cáncer, defectos congénitos u otras lesiones al aparato reproductor.
2. Este producto contiene sustancias químicas, incluyendo el plomo y compuestos de plomo, que en el estado de California se sabe que las causan cáncer, defectos congénitos u otras lesiones al aparato reproductor.

Lávese las manos después de manipular este

Seguridad con los alimentos

La seguridad con los alimentos es una parte muy importante del disfrute de su parrillada al aire libre. Siga estos cuatro pasos básicos para proteger a los alimentos contra las bacterias nocivas:

Limpieza: Lávese las manos, lave los utensilios y las superficies con agua jabonosa caliente, antes y después de manipular carnes y aves crudas.

Separación: Mantenga las carnes y las piezas de aves crudas separadas de los alimentos listos para comer, para evitar la contaminación cruzada. Use bandejas y utensilios limpios para servir los alimentos preparados.

Cocción: Cocine bien las carnes y las piezas de ave, para matar las bacterias. Use un termómetro para verificar que los alimentos alcancen la temperatura interna adecuada.

Refrigeración: Refrigere con prontitud los alimentos preparados y las sobras.

Comuníquese con la Línea de información sobre carnes y aves del Ministerio de Agricultura de EE UU para obtener mayor información, al 1-800-535-4555. En Washington, D.C. por el (202) 720-3333, entre las 10:00 h y las 16:00 h, hora normal del Este.

Cómo saber cuándo las carnes están bien cocidas

- El exterior de las carnes y las piezas de ave preparadas en la freidora a menudo se dora rápidamente. Use únicamente carne descongelada y un termómetro para carnes, para verificar que los alimentos alcancen una temperatura interna segura, y corte la carne para verificar visualmente si ya está lista.
- Le recomendamos que antes de cocinar los alimentos en su freidora, éstos estén a una temperatura de al menos 40° F.
- La temperatura de las aves enteras debe alcanzar 165° F. El jugo de las mismas debe ser transparente y la carne no debe tener color rosado.
- Los filetes de carne de res, de ternera, y de cordero, los asados y las chuletas de cerdo se pueden cocer a 145° F.
- NUNCA cocine parcialmente las piezas de carne o de aves, para terminar de cocinarlas después. Cocine los alimentos completamente, para destruir las bacterias nocivas.
- Use un termómetro para verificar que los alimentos alcancen la temperatura interna adecuada.

Recomendadas por USDA

Temperaturas internas de cocción

Carne molida

Carne de vaca, cerdo, ternera, cordero.....160° F
Pavo, pollo.....165° F

Carne fresca de vaca, ternera, cordero

Poco cocido.....145° F
(con 3 minutos de reposo)

Medio cocido.....160° F
Bien cocido.....170° F

Aves de corral

Pollo y pavo, entero.....165° F
Trozos de ave.....165° F
Pato y ganso.....165° F

Carne fresca de cerdo

Poco cocido.....145° F
(con 3 minutos de reposo)

Medio cocido.....165° F
Bien cocido.....170° F

Para guardar el aparato

- Guárdela en un lugar seco.
- Cuando el tanque de gas esté conectado al aparato, guárdela al aire libre, en un lugar bien ventilado y fuera del alcance de los niños.
- Si desconecta el regulador del tanque, cuélguelo del asa con el gancho que viene con el aparato.



- Cubra el aparato si la guarda al aire libre. El fabricante tiene a su disposición una variedad de cubiertas para el aparato.
- SÓLO guarde el aparato bajo techo si se ha cerrado el paso y desconectado el tanque de gas; retírelo del aparato y guárdelo al aire libre.
- Antes de usar el aparato luego de haber estado guardado, siga las instrucciones de la sección titulada "Cómo limpiar la unidad del quemador".

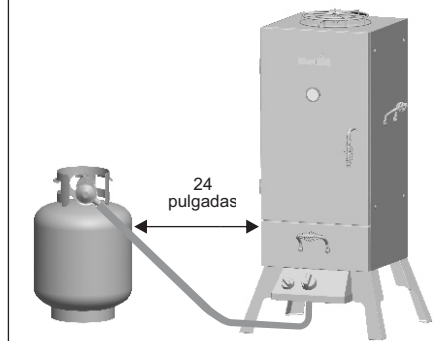
USO Y MANTENIMIENTO



PELIGRO

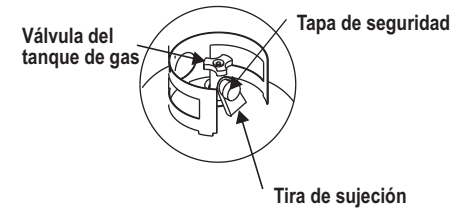


- NUNCA guarde los cilindros de gas de repuesto debajo del aparato, cerca del mismo, ni en áreas cerradas.
- Nunca cargue el tanque a más del 80% de su capacidad.
- Los tanques de gas propano de repuesto sobrecargados o mal llenados son peligrosos, ya que la válvula de seguridad puede dejar salir gas. Esto puede provocar incendios intensos que pueden causar daños materiales, lesiones graves o la muerte.
- Si observa, huele o escucha una fuga de gas, alejese de inmediato del cilindro y del aparato, y llame a los bomberos.
- Mantenga en todo momento el tanque de gas propano a una distancia mínima de 24" (pulgadas) de la freidora.



- Los tanques de gas desconectados, guardados o en transporte, deben tener instalada la tapa de seguridad (como se ilustra). No guarde el tanque de gas en sitios cerrados, tales como cocheras, garajes, porches, patios techados u otras edificaciones.

- No guarde un tanque de gas en un área donde el juegan niños.



El gas propano (GLP)

- Es atóxico, inodoro e incoloro en el momento en que se produce. Para su seguridad, al gas propano se le ha incorporado un olor (parecido al de la col podrida), de modo que se pueda oler.

- El gas propano es sumamente inflamable y se puede encender en forma instantánea al mezclarse con el aire.

Tanque de gas propano

- El tanque de gas que use con su parrilla debe cumplir los siguientes requisitos:

- Use únicamente tanques de gas que tengan las siguientes medidas obligatorias: 12 PULGADAS (30.5 cm) (diámetro) x 18 PULGADAS (45.7 cm) (altura), con una capacidad máxima de 20 lb. (9 kg).

- Los tanques de gas propano deben ser fabricados y codificados según las especificaciones para tanques de gas propano del Departamento de Transporte de los Estados Unidos (DOT), o en Canadá, según las normas CAN/CSA-B339, sobre cilindros, esferas y tubos para el transporte de mercancías peligrosas del Ministerio de Transportes de Canadá (CT). El código se encuentra en el collarín del tanque de gas.

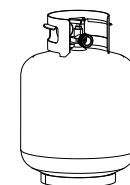
- La válvula del tanque de gas debe tener:

- Una salida de tipo 1, compatible con el regulador o la parrilla.
- Una válvula de paso de seguridad.



Manilla del dispositivo de seguridad volumétrica

- Un dispositivo de seguridad volumétrica (OPD por sus siglas en inglés) certificado por UL. Esta característica de seguridad OPD se identifica mediante una manilla de forma triangular. Use únicamente tanques equipados con válvulas de este tipo.
- El tanque de gas debe tener un dispositivo de extracción del vapor y venir con un collarín para proteger su válvula. Siempre mantenga los tanques de gas en posición vertical durante su uso, su transporte o su almacenamiento.



Tanque de gas en posición vertical para extraer el vapor

Carga de los tanques de gas propano

- Recurra solamente a vendedores autorizados y con experiencia.
- El vendedor de gas debe purgar el tanque nuevo antes de cargarlo.
- El vendedor no debe cargar NUNCA el tanque de gas con más del 80% de su volumen. El volumen de propano en el tanque puede variar con la temperatura.
- Si el regulador está empañado, eso indica que el tanque está sobrecargado. Cierre de inmediato la válvula del tanque y solicite ayuda del vendedor de gas propano.
- No deje escapar gas propano a la atmósfera. Ésta es una práctica peligrosa.
- Solicite ayuda del vendedor de propano o de los bomberos, para vaciar el gas de su tanque. Identifique a los vendedores autorizados de propano de su región en la sección de "compañías de gas" de la guía telefónica.

Remoción, transporte y almacenamiento del tanque de gas propano

- CIERRE todas las perillas de control y la válvula del tanque. Gire la tuerca de unión en sentido contrario a las agujas del reloj, a mano solamente; no use herramientas para desconectarla. Afloje el tornillo, ubicado debajo de la repisa, o desconecte el dispositivo de retención del tanque, luego levante el tanque de gas para sacarlo del carrito. Instale la tapa de seguridad en la válvula del tanque de gas. Use siempre la tapa y la correa que vienen con la válvula. Si la tapa de seguridad no se usa tal como se indica, esto puede ocasionar lesiones o daños materiales graves.

USO Y MANTENIMIENTO

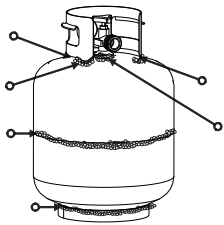
Cambio del tanque de gas

- Muchos comerciantes minoristas que venden parrillas, le ofrecen la opción de cambiar su tanque de gas vacío mediante un servicio de recambio. Emplee únicamente empresas de recambio de buena reputación, que inspeccionen, carguen con precisión, verifiquen y certifiquen sus cilindros. **Cambie su tanque sólo por otros tanques equipados con el dispositivo de seguridad volumétrica que se describe en la sección de tanques de gas de este manual.**
- Siempre mantenga los tanques de gas, nuevos y de repuesto, en posición vertical durante su uso, su transporte o su almacenamiento.
- **Verifique que el tanque de gas, nuevo o de recambio, no tenga fugas ANTES de conectarlo a la parrilla.**
- Coloque la tapade seguridad sobre la salida de la válvula del tanque de gas cuando no lo use. Instale únicamente el tipo de tapade seguridad que viene con la válvula del tanque. Los otros tipos de tapas o tapones pueden dejar escapar el gas propano.

Prueba para detectar fugas del tanque de gas propano

Por su propia seguridad

- Se debe efectuar la prueba para detectar fugas cada vez que se cambie o se recargue el tanque.
- No fume durante la prueba para detectar fugas.
- No use una llama al descubierto para comprobar si el tanque tiene fugas.
- La prueba para detectar fugas de la parrilla se debe efectuar al aire libre, en un área bien ventilada, alejada de toda fuente de ignición tal como los artefactos a gas o eléctricos. Durante la prueba para detectar fugas, mantenga la parrilla alejada de las llamas al descubierto o de las chispas.
- Use una brocha de pintura limpia y una solución de 50/50 de agua y jabón suave. Pinte con la solución jabonosa las áreas indicadas por las flechas en la ilustración que sigue.
- **No use productos de limpieza del hogar.** Esto puede dañar los componentes del circuito de gas.



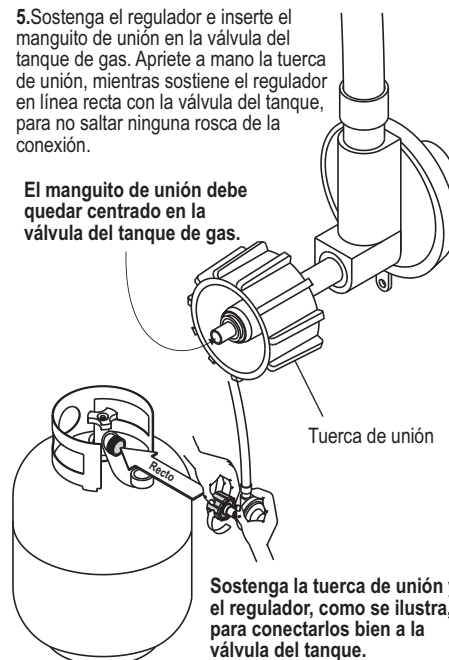
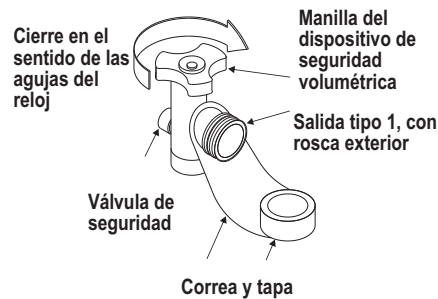
⚠**ADVERTENCIA**⚠

Si aparecen burbujas que aumentan de tamaño, no use ni mueva el tanque de gas. ¡Comuníquese con el proveedor de gas propano o con los bomberos!

Como conectar el regulador al tanque de gas propano

1. El tanque de gas debe quedar bien fijado a la parrilla. (Lea la sección de ensamblado.)
2. Gire todas las perillas de control a la posición APAGADO (OFF).
3. **CIERRE** el tanque de gas, girando la manilla de la válvula en el sentido de las agujas del reloj, hasta que se detenga.

4. Retire la tapa seguridad de la válvula del tanque de gas. Use siempre la tapa y la correa que vienen con la válvula.



6. Gire la tuerca de unión en el sentido de las agujas del reloj, apretándola hasta que no se mueva más. El regulador formará un sello en el dispositivo de seguridad de la válvula del tanque, lo que creará cierta resistencia. **Se deberá hacer girar la tuerca entre un cuarto y tres cuartos de vuelta adicionales, para completar la conexión. Apriétela a mano, no use herramientas.**

NOTA: Si no puede completar la conexión, desconecte el regulador repita los pasos 5 y 6. Si a pesar de haberlo hecho, todavía no puede completar la conexión, **¡no use este regulador!**

⚠**PELIGRO**⚠

- No introduzca ninguna herramienta ni ningún objeto extraño en la salida de la válvula ni en la válvula de seguridad. Puede dañarla y causar una fuga. Las fugas de gas propano pueden causar explosiones, incendios, lesiones graves o la muerte.

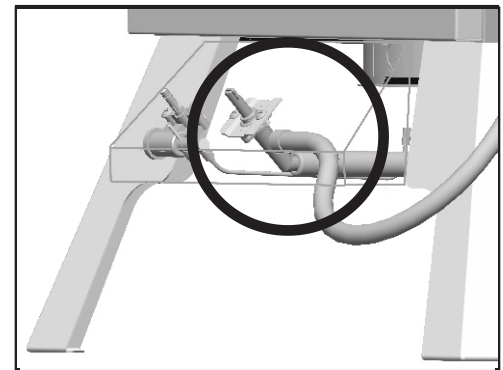
⚠**ADVERTENCIA**⚠

- No use la parrilla sin antes haber verificado que no tenga fugas.
- En caso de detectar una fuga en cualquier momento, ¡DETÉNGASE!
- Si no puede detener una fuga de gas cerrando la zona baja vavle del tanque de gas y llame a los bomberos.

Prueba para detectar fugas de las válvulas, las mangueras y el regulador

1. Cierre todas las perillas de control de la parrilla.

2. Cerciórese de que el regulador esté bien conectado al tanque de gas.
3. Abra por completo la válvula del tanque, girando la manilla en sentido contrario a las agujas del reloj. Si escucha un sonido de ráfaga, cierre de inmediato el paso de gas. La conexión tiene una fuga considerable. **Corrija esta situación antes de continuar.**
4. Aplique solución jabonosa con la brocha, en las áreas marcadas con un círculo en la ilustración que sigue. u otros accesorios similares en su parrilla.



5. Si aparecen burbujas que aumentan de tamaño, existe una fuga. Cierre de inmediato la válvula del tanque de gas y vuelva a apretar las conexiones. **Si no puede eliminar las fugas, no intente repararlas.** Solicite una pieza de repuesto. Encargue las piezas nuevas indicando el número de serie, de modelo y el nombre de las piezas que requiera (vea la lista de piezas), llamando al centro de servicio para parrillas
6. Después de hacer una prueba para detectar fugas, cierre siempre la válvula del tanque de gas, girando la manilla en el sentido de las agujas del reloj.

⚠**ADVERTENCIA**⚠

- El aparato a gas para uso al aire libre no ha sido diseñado para ser instalado en embarcaciones.
- El aparato a gas para uso al aire libre no ha sido diseñado para ser instalado en vehículos de recreo.
- Nunca trate de conectar esta parrilla al sistema de gas propano independiente de un remolque de recreo o de una casa rodante.

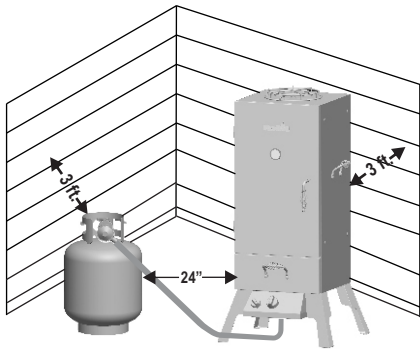


PELIGRO



Para usar su freidora en forma segura y para evitar lesiones graves:

- El consumo de alcohol y de medicamentos, de venta con o sin receta, pueden afectar la capacidad del consumidor para armar y para usar correctamente esta freidora.
- Para cocinar, la freidora debe estar colocada sobre una superficie de material incombustible, nivelada y estable, en un área donde no haya materiales combustibles. Una superficie de asfalto (revestimiento bituminoso) no sería aceptable para este efecto.
- No deje la freidora desatendida. Mantenga a los niños y a las mascotas alejados en todo momento de la freidora.
- No coloque sobre la freidora recipientes para cocinar vacíos mientras esté funcionando. Tenga cuidado cuando coloque cualquier cosa dentro de los recipientes para cocinar mientras la freidora esté funcionando.
- No mueva la freidora cuando esté en uso. Deje que el recipiente para cocinar se enfríe hasta alcanzar una temperatura de 115° F (45° C) antes de moverlo o guardarlo.
- Esta freidora no ha sido diseñada ni debe ser usada como un calefactor.
- Esta freidora está caliente durante y después usarla. Use guantes de cocina mientras cocine, o guantes y utensilios de mango largo para parrilla, para protegerse de las superficies calientes y contra las salpicaduras de los líquidos de cocinar.
- Mantenga el área de la freidora limpia y sin materiales combustibles.
- Mantenga el área donde se encuentra la freidora limpia y sin materiales combustibles, gasolina y otros gases y líquidos inflamables.
- Mantenga la manguera de suministro de gas alejada de las superficies calientes.
- Únicamente use a freidora en lugares bien ventilados. NUNCA la use en lugares cerrados tales como cocheras, garajes, porches, patios techados o debajo de superficies de ningún tipo.
- Use su freidora al menos a 3 pies de distancia de cualquier pared o superficie. Deje un espacio de 10 pies entre la freidora y los objetos que puedan incendiarse o que sean fuentes de ignición, tal como las llamas piloto de calentadores de agua, aparatos eléctricos conectados, etc.



- NUNCA trate de encender el quemador con la tapa cerrada. Las acumulaciones de gas no encendido en los aparatos cerrados son peligrosas.
- Nunca use la freidora si el tanque de gas no está en la posición correcta que se especifica en las instrucciones de armado.
- Siempre cierre la válvula del tanque de gas y retire la tuerca de unión antes de mover el tanque del sitio específico de uso.

Para personas que viven en apartamentos:

- Pídale al administrador que le indique los requisitos y los códigos contra incendios que corresponden al uso de aparatos a gas propano en su edificio de apartamentos. Si se le permite usarla, hágalo al aire libre, en la planta baja, dejando un espacio libre de tres (3) pies entre la freidora y las paredes o las barandillas. No la use en balcones o debajo de los mismos.

Consejos de seguridad

- Verifique que la tuerca de unión esté bien apretada antes de abrir la válvula del tanque de gas.
- Cuando no use el aparato, cierre la perilla de control y la válvula del tanque de gas.
- Puerta Cámara fumador debe estar abierta al intentar encender el quemador.
- La bandeja para la grasa **debe** estar colocada en la parrilla, y se debe vaciar cada vez después de usar la parrilla. No retire la bandeja para la grasa hasta que la freidora se haya enfriado por completo.
- Si observa que de la freidora caen gotas de grasa u otras sustancias calientes sobre la válvula, la manguera o el regulador, cierre inmediatamente el paso de gas. Establezca la causa, corrija el problema, limpie e inspeccione la válvula, la manguera y el regulador, antes de proseguir. Haga una prueba para detectar fugas.
- No guarde objetos ni materiales debajo de la freidora que puedan bloquear la circulación del aire de la combustión a la parte inferior del tablero de control o de la caja de la cámara de combustión.
- El regulador puede emitir un sonido zumbante o sibilante durante su uso. Esto no afectará la seguridad ni el uso de la parrilla.
- Si tiene un problema con la freidora, lea la sección de *Resolución de problemas*.
- Si el regulador se empaña, apague inmediatamente la freidora y cierre la válvula del tanque de gas. Esto indica que existe un problema con el tanque y no debe ser usado en ningún otro producto. ¡Devuélvalo al proveedor!
- Limpie ahumador frecuencia, preferiblemente después de cada comida al aire libre. Si se utiliza un cepillo de cerdas para limpiar las superficies para cocinar, asegurarse de que no queden cerdas sueltas sobre superficies de cocción antes de coquización. Se recomienda no limpiar las superficies para cocinar cuando la caliente

Cómo usar el encendedor

- No se incline sobre el aparato cuando lo esté encendiendo.

1. Abra el gas desde el tanque.
2. Abra la puerta de la cámara de ahumar.
3. Oprima y gire la perilla a la graduación ALTA (HIGH).
4. Gire rápidamente la perilla GIRATORIA DEL ENCENDEDOR.
5. Abra el cajón de la cámara de combustión para verificar que el quemador esté encendido.
6. Si no se enciende en 5 segundos, gire la perilla de control del quemador a la posición de APAGADO, espere 5 minutos, y repita el procedimiento de encendido.



Si el encendedor aún no funciona, siga las instrucciones del encendido con fósforos.



ADVERTENCIA

Cuando no la use, gire la perilla de control a la posición de apagado (OFF) y desconecte el tanque.



ADVERTENCIA

Si NO se enciende en 5 segundos, gire la perilla de control a la posición de apagado (OFF), espere 5 minutos y repita el proceso de encendido. Si el quemador no se enciende con la válvula abierta, el gas continuará saliendo por el mismo y puede encenderse accidentalmente, con el riesgo de ocasionar lesiones.

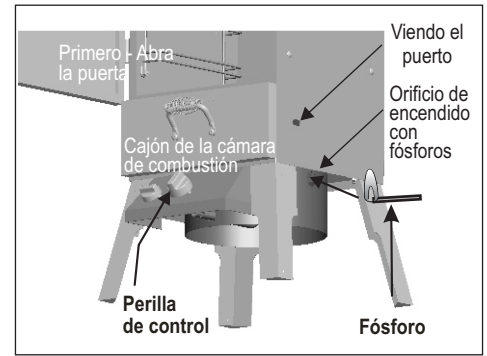
Encendido con fósforos

No se incline sobre el aparato cuando lo esté encendiendo.

1. Abra el gas desde el tanque.
2. Abra la puerta de la cámara de ahumar.
3. Coloque un fósforo encendido en el orificio para el encendido con fósforos, como se ilustra abajo. Recuerde que debe colocar el fósforo encendido dentro del orificio y cerca del quemador.
4. Presione y gire la perilla de control a la graduación ALTA (HIGH). Verifique que el quemador se encienda y que permanezca encendido.



5. Abra el cajón de la cámara de combustión para verificar que el quemador esté encendido.



Vista lateral del aparato

Control de la llama del quemador

• Encienda el quemador y gire la perilla, de la **graduación encendido (ON)** a la **APAGADO (OFF)**. Si observa por la mirilla ubicada en la parte superior de la freidora, podrá ver que la llama baja cuando gira la perilla de la graduación **encendido** a la graduación **APAGADO**. Controle siempre las llamas antes de cada uso. Si sólo se observan llamas bajas, lea lo referente a la Caída repentina de las llamas o llamas bajas en la sección de *Resolución de problemas*.



Cómo apagar la freidora

- Gire la perilla de control a la posición de apagado (OFF). Cierre el tanque de gas, girando la manilla de la válvula en el sentido de las agujas del reloj, hasta que se detenga.

Control del encendedor

- Cierre el paso de gas desde el tanque. Gire la perilla del encendedor. Deberá oír un chasquido cada vez en el electrodo. En caso de no oír chasquidos ni ver chispas, lea la sección de *Resolución de problemas*.

Control de la válvula

- **Importante: Cerciórese de haber cerrado el paso de gas desde el tanque antes de revisar la válvula.** La perilla se traba al llegar a la posición de apagado (OFF). Para revisar la válvula, primero presione la perilla y luego suéltela; ésta debe regresar a su posición original. De lo contrario, cambie la unidad de la válvula antes de usar la freidora. Gire las perillas a la graduación **encendido** y luego regréselas a la posición de APAGADO. La válvula debe girar suavemente.

Control de la manguera

- Cada vez, antes de usar la freidora, verifique que la manguera no tenga cortes, no esté desgastada, ni esté retorcida. Cambie la manguera dañada antes de usar la freidora. Use sólo la válvula / la manguera / el regulador especificado por el fabricante.



Limpieza general de la freidora

- **Termómetro para carne: No lo sumerja ni empape en agua. Lávelas con agua jabonosa tibia y séquelas con un paño.**
- No confunda la acumulación de grasa y de humo, de color marrón o negro, con la pintura. La parte interior de la freidora no viene pintada de fábrica (y nunca se debe pintar). Aplique una solución concentrada de detergente y de agua, o use un limpiador para parrillas con un cepillo de cerdas resistentes, cepillando la parte interior de la tapa y el fondo de la freidora. Enjuáguelos y deje que se sequen completamente al aire. **No aplique productos de limpieza cáusticos para parrillas / productos de limpieza de hornos a las superficies pintadas.**
- **Piezas plásticas:** Lávelas con agua jabonosa tibia y séquelas con un paño. No use citrisol, limpiadores abrasivos, desgrasadores ni limpiadores de parrilla concentrados para las piezas plásticas. Las mismas se pueden dañar y causar fallas.
- **Superficies pintadas:** Lávelas con un detergente delicado o un limpiador no abrasivo y agua tibia jabonosa. Séquelas con un paño suave, no abrasivo.

Nivel de agua

- Controle el nivel del agua. Deje siempre agua en el recipiente (a menos que desee dorar la comida). Si el agua se evapora por completo, la comida puede quemarse rápidamente. Al usar el ahumador, tenga mucho cuidado al añadirle agua si éste está caliente.

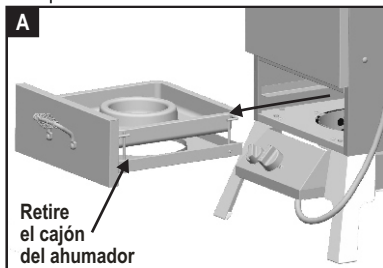
Medidas de precaución para cocinar

- Las superficies exteriores de su CB600x™ pueden ponerse muy calientes cuando lo usa. Recuerde que debe ponerse guantes o mitones de cocina para ajustar el regulador de la parte superior o para abrir la puerta del ahumador.

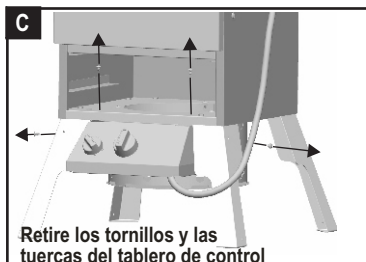
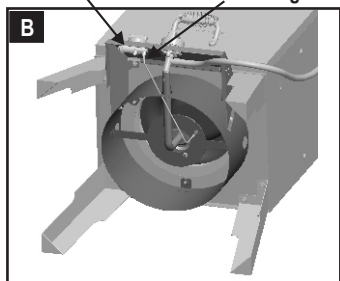
Cómo limpiar la unidad del quemador

Siga estas instrucciones para limpiar o para cambiar piezas de la unidad del quemador, o si tiene problemas para encender el aparato.

- Cierre el paso de gas con la perilla de control y con la válvula del tanque, desconecte el regulador del tanque.**
 - Retire el cajón del ahumador y el recipiente de agua, como se ilustra en **A**.
 - Retire el cable del electrodo del encendedor giratorio, como se ilustra en **B**.
 - Retire los 4 tornillos y las tuercas del tablero de control, como se ilustra en **C**.
 - Desconecte el tablero de control /la válvula de control del quemador.
 - Corra el tablero de control para sacarlo de la unidad, como se ilustra en **D**.
 - Limpie el quemador interior según se recomienda más abajo y como se ilustra en **E**. Sugerimos tres maneras de limpiar el tubo del quemador. Use la que le resulte más fácil.
 - Doble un alambre rígido (un gancho de alambre para ropa sirve bien) para formar un gancho pequeño. Pase varias veces el gancho a través del tubo del quemador.
 - Use un cepillo delgado de mango flexible para botellas (no use cepillos de alambre de latón); páselo varias veces por el tubo del quemador.
 - Use protectores para la vista:** Con una manguera neumática, fuerce el paso del aire a través del tubo y de los puertos del quemador. Examine cada puerto para verificar que el aire salga a través de cada orificio.
 - Examine el quemador para detectar daños; algunos orificios pueden alargarse debido al desgaste normal y a la corrosión. Si observa grietas u orificios grandes, cambie el quemador.
 - Fije el electrodo en el quemador.
 - Vuelva a colocar con cuidado la unidad del tablero de control.
- MUY IMPORTANTE: El tubo del quemador se debe volver a conectar en la abertura de la válvula. Vea la ilustración F.**
- Para volver a armar el quemador, siga los mismos pasos en orden inverso



Encendedor giratorio Retire el cable del electrodo del encendedor giratorio

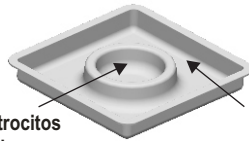


Retire los tornillos y las tuercas del tablero de control

Instrucciones de preparación

Uso de astillas o de trocitos de madera

- Es necesario saturar con agua las astillas o los trocitos de madera aromática seca, de manera que cuando se coloquen sobre el recipiente de agua se produzca un fuego latente humeante. Las astillas o los trocitos de madera se pueden remojar durante mucho tiempo; sin embargo, 2 horas es suficiente. Como regla general, use trocitos de madera para ahumar durante 3 o más horas, y astillas de madera para ahumar durante menos de 3 horas. Comience con 3 trocitos de madera o 1½ medidas de astillas de madera.



Astillas o trocitos de madera

Depósito de agua

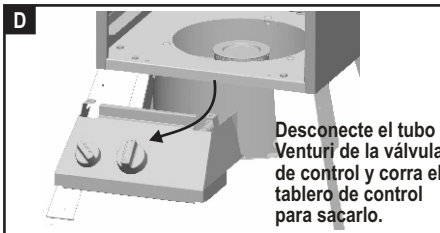
Rocíe dentro de la puerta y del cuerpo con aerosol antiadherente a base de aceite vegetal. Coloque el recipiente de agua sobre los soportes ubicados en el cajón del ahumador. Con un envase de 4 cuartos (un galón), llene 2/3 del recipiente para el agua con agua caliente del grifo. No llene demasiado el recipiente de agua

¿Agua o jugo?

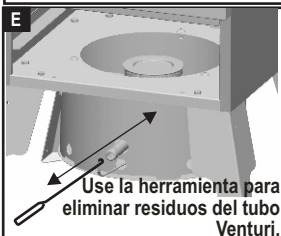
El poner agua en el recipiente es correcto, pero no es la única opción posible. El jugo de fruta, la cola, la cerveza, el vino, el escabeche colado y hasta el agua en la que se ha remojado la madera son opciones sabrosas. Además, puede añadir en el recipiente de agua otros sabores apreciados, como tallos de apio, cebolla, zanahoria, manzana, pimienta entera y hojas de laurel.

Cada vez, antes de usarlo, examine la superficie interior de la tapa y del cuerpo para detectar acumulaciones de partículas sueltas. Elimine todo residuo suelto o descascarillado de manera que no caiga sobre la comida al cocinarla.

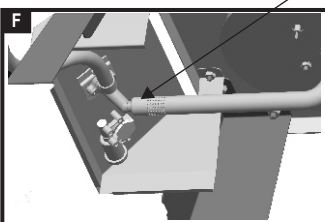
Antes de cocinar, recubra las parrillas de cocción con aceite o con un aerosol a base de aceite vegetal. Póngase guantes de cocinar y coloque con cuidado las parrillas de cocción en el ahumador. Los cortes más grandes de carne o la comida que se cocina por períodos más largos deben colocarse sobre la parrilla de cocción inferior. Si está cocinando comida con varias piezas, tales como costillares o gallinas de Cornualles, recuerde que debe dejar una separación suficiente para la circulación uniforme del calor. Póngase guantes de cocinar y coloque con cuidado la parrilla superior de cocción en el ahumador. Las piezas más pequeñas de comida requieren un menor tiempo de cocción y deben colocarse sobre la parrilla de cocción superior. Después de llenar el ahumador, cierre la puerta y deje que la unidad funcione hasta que se haya cumplido el tiempo mínimo sugerido de cocción.



Desconecte el tubo Venturi de la válvula de control y corra el tablero de control para sacarlo.



Alineación correcta de la válvula y el tubo Venturi (Para mayor claridad no se muestran algunas piezas)



Es posible que para las carnes que requieren de más de 4 horas para alcanzar el punto de cocción deseado se necesite una cantidad adicional de agua. La cantidad inicial de agua caliente vertida (4 cuartos de galón) debe durar de 4 a 6 horas. Después de 4 a 6 horas, controle el nivel de agua y añada más agua caliente, según sea necesario.

Use un termómetro para carnes, para medir la temperatura interna de la comida. El aspecto de la comida ahumada no se parece al de las carnes preparadas con ningún otro método de cocinar, especialmente en carnes de colores claros, tales como la de cerdo, pavo, pollo, y gallina de Cornualles. La parte exterior será de color rosado-rojizo en tanto que la parte interior, cuando se cocina a la perfección, es a menudo rosada. Los jugos de las aves totalmente cocidas fluyen con un color transparente cuando se pincha la carne con un tenedor. El pescado está listo si se desmenuza fácilmente cuando se prueba con un tenedor. Los camarones deben sentirse resistentes al tacto cuando están cocidos. Antes de trincar la comida, sáquela del ahumador. Para dorar las carnes, cocínelas por ½ hora o más sin agua en el recipiente.

El desempeño del ahumador depende de la temperatura ambiente y de las condiciones del viento. Cuando la temperatura está por debajo de los 60° F y el viento sopla a 5 m.p.h o más, se puede disipar una cantidad importante de calor del ahumador y es posible que la carne no alcance la temperatura interna necesaria para cocinarse en un tiempo razonable.

El ahumador ha sido diseñado con un cajón que contiene el recipiente de agua. Este cajón le permite controlar el nivel del agua del ahumador sin tener que abrir la puerta. El abrir la puerta mientras cocina ocasionará pérdida de calor, lo que aumenta considerablemente el tiempo de cocción.

Puede usar su ahumador sin agua en el recipiente. Pero NO use el ahumador sin tener el recipiente de agua correctamente instalado; de lo contrario, goteará grasa y jugos de la comida por toda la unidad y en el piso o la superficie donde está instalada.

Antes de cocinar aves y carnes magras, píntelas con aceite de cocina, mantequilla o margarina.

Para cocinar más de un pedazo de carne, el tiempo de cocción será el que corresponda al pedazo más grande.

La carne se cocina en su propio jugo. No es necesario rociarla ni voltearla mientras se está ahumando. Para variar la comida, puede aplicar un adobo de salsa de barbacoa antes de colocarla en el ahumador.

Resista la tentación de abrir la puerta durante la cocción. El hacerlo ocasionará pérdida de calor, lo que resultará en un mayor tiempo de cocción.



ADVERTENCIA



¡ALERTA CONTRA LAS ARAÑAS!



ARAÑAS Y TELARAÑAS DENTRO DEL QUEMADOR

Si está experimentando dificultades para encender su aparato, o si la llama es débil, inspeccione y limpie los quemadores y los tubos Venturi.

Se ha comprobado que las arañas y los pequeños insectos generan problemas de "fognazos" al construir sus nidos y poner huevos en los quemadores o los tubos Venturi puesto que obstruyen el flujo de gas. El gas que se acumula puede encenderse en la parte posterior del tablero de control. Estos fognazos pueden dañar su parrilla y causar lesiones. Para evitar los fognazos y garantizar un buen funcionamiento, retire y limpie la unidad de quemador y tubo Venturi si no ha usado la parrilla durante un tiempo prolongado.

GARANTÍA LIMITADA

Esta garantía es válida únicamente para las unidades adquiridas de los distribuidores autorizados. El fabricante le garantiza únicamente **al consumidor-comprador original**, que este producto no presentará defectos de mano de obra ni de materiales por el período indicado a continuación, contado desde la fecha de compra*, si se arma correctamente y se usa en el hogar, en condiciones normales y razonables. El fabricante se reserva el derecho de exigir la devolución de las piezas defectuosas, enviadas con el porte o el flete pagado por el consumidor, para ser revisadas y examinadas.

ALCANCE DE LA COBERTURA

PLAZO DE COBERTURA

TIPO DE FALLA AMPARADA

Todas las piezas	1 año a partir de la fecha de compra *	SOLO DEFECTOS DE PERFORACIÓN, DE FABRICACIÓN Y DE MATERIALES

*Nota: A fecha de recibo de compra serán necesarios para el servicio de garantía.

Son de responsabilidad del consumidor-comprador original todos los gastos de envío de las piezas cambiadas en virtud de las condiciones de esta garantía limitada.

Esta garantía limitada es válida únicamente en Estados Unidos y en Canadá, se ofrece únicamente al propietario original del producto y es intranferible. **El fabricante exige la presentación de evidencia de la fecha de la compra. Por tanto, debe conservar el recibo o la factura de la compra.** La inscripción del producto no reemplaza al comprobante de compra, y el fabricante no se hace responsable ni está obligado a llevar un registro de dichos comprobantes.

Esta garantía limitada atañe ÚNICAMENTE al funcionamiento del producto y no ampara rayones, abolladuras, corrosión ni decoloración ocasionada por el calor, los productos de limpieza abrasivos y químicos, ni por las herramientas usadas en el armado o en la instalación del aparato, oxidación de las superficies ni decoloración de las superficies de acero inoxidable. **RUST no se considera una de fabricación o materiales defecto.**

Esta garantía limitada no ampara el costo en el que se incurra por inconvenientes, alimentos, lesiones ni daños a la propiedad.

EL FABRICANTE NO PAGARÁ LOS SIGUIENTES RUBROS:

1. El costo de envío normal o acelerado de piezas y repuestos amparados por la garantía
2. Las llamadas de servicio técnico a domicilio.
3. Reparaciones de productos que hayan sido usados para fines distintos a los normales, en casas de más de una familia o no domésticos.
4. Daños, fallas, o dificultades para hacerlo funcionar, ocasionadas por accidentes, modificaciones, manipulación descuidada, uso indebido, abuso, incendio, inundación, casos fortuitos, instalación o mantenimiento inadecuados o que no se realicen de conformidad con las disposiciones de los códigos de instalaciones eléctricas o sanitarias, o uso de productos no autorizados por el fabricante.
5. Pérdida de alimentos debidos a fallas del producto o a la dificultad para hacerlo funcionar.
6. El costo de las piezas de repuesto ni de la mano de obra para la reparación de unidades instaladas fuera de Estados Unidos o de Canadá.
7. La recogida y el envío de su producto.
8. Las reparaciones de piezas o de sistemas que hayan sufrido daños por alteraciones no autorizadas hechas en el producto.
9. La remoción y/o la reinstalación de su producto.

ESTIPULACIONES DE EXONERACIÓN DE GARANTÍAS IMPLÍCITAS; LIMITACIÓN DE LOS RECURSOS

El único recurso del que usted dispone en virtud de esta garantía limitada es la reparación o el cambio de las piezas defectuosas. En cas de problèmes de disponibilité des pièces, le constructeur se réserve le droit de remplacer des pièces similaires qui sont également fonctionnels. El fabricante no será responsable por ningún tipo de daño accesorio o indirecto ocasionado por el incumplimiento de lo estipulado ya sea en esta garantía limitada o en alguna garantía implícita pertinente, ni por las fallas o los daños ocasionados por actos fortuitos, cuidado y mantenimiento inadecuados, fuego provocado por la grasa, accidentes, modificaciones, cambio de piezas por cualquier persona que no sea el fabricante, uso indebido, transporte, uso con fines comerciales, abuso, ambientes hostiles (condiciones inclementes del tiempo, fenómenos naturales, acción de los animales), instalación inadecuada o instalación que no se realice de conformidad con las disposiciones de los códigos locales o las instrucciones impresas del fabricante.

ESTA GARANTÍA LIMITADA ES LA ÚNICA GARANTÍA EXPLÍCITA OFRECIDA POR EL FABRICANTE. EL FABRICANTE NO GARANTIZA NINGUNA ESPECIFICACIÓN O DESCRIPCIÓN DE RENDIMIENTO DEL PRODUCTO, INDEPENDIENTEMENTE DEL LUGAR DONDE APAREZCAN, SALVO EN LA MEDIDA SEÑALADA EN ESTA GARANTÍA LIMITADA. POR EL PRESENTE, EL PLAZO DE VIGENCIA DE LA PROTECCIÓN QUE OTORGAN LAS GARANTÍAS IMPLÍCITAS, EN VIRTUD DE LAS LEYES DE CUALQUIER ESTADO, INCLUYENDO LA GARANTÍA IMPLÍCITA ACERCA DE LA IDONEIDAD DEL PRODUCTO PARA SU COMERCIALIZACIÓN O PARA ALGÚN PROPÓSITO DETERMINADO, QUEDA LIMITADO AL PLAZO DE VIGENCIA DE ESTA GARANTÍA LIMITADA.

Ni los distribuidores, ni el negocio minorista que vende este producto, están autorizados para ofrecer ninguna garantía ni para prometer recursos adicionales o incongruentes con los arriba indicados. En todo caso, el límite máximo de responsabilidad del fabricante no será mayor que el precio de compra pagado por el consumidor original.

NOTA: Algunos estados no permiten la exclusión ni la limitación de daños accesorios o indirectos, de manera que es posible que las limitaciones o exclusiones arriba señaladas no correspondan en su caso. Esta garantía le otorga derechos específicos, señalados aquí. Es posible que usted tenga otros derechos que pueden variar de un estado a otro. Sólo en el estado de California, en el caso en que no sea comercialmente viable reparar o cambiar el acabado del producto, el minorista que vende este producto o el fabricante le reembolsarán el precio de compra pagado por el mismo, menos la cantidad directamente atribuible al uso dado por el consumidor-comprador original, antes de haber descubierto la falla. Además, y únicamente en el estado de California, usted podrá llevar el producto al negocio minorista que venda este producto para solicitar servicios en virtud de esta garantía limitada.

Si desea obtener algún servicio en virtud de esta garantía limitada, debe dirigir su correspondencia a:
Consumer Relations
P. O. Box 1240
Columbus, GA 31902-1240

No se aceptarán las devoluciones por parte del consumidor a menos que haya obtenido primero una autorización válida de devolución. Debe rotular de manera legible la parte exterior del paquete de devolución autorizada con su número de autorización de devolución y remitir dicho paquete con el flete o el porte pagado. Se rechazará toda devolución del consumidor que no cumpla con las reglas anteriores.

WS_1 SPAN Rev04

PARTS LIST

<u>Key</u>	<u>Qty</u>	<u>Description</u>
A	1	SMOKER CHAMBER
B	1	DOOR, SMOKER CHAMBER
C	1	SMOKER DRAWER
D	1	BURNER HOUSING
E	1	CONTROL PANEL
F	4	LEG
G	1	BURNER
H	1	DAMPER ASSEMBLY, TOP
I	3	GRATE, COOKING
J	1	PAN, WATER
K	1	HOSE, VALVE, REGULATOR
L	3	HANDLE
M	4	HANDLE SPRING
N	1	KNOB, CONTROL
O	1	IGNITOR, ROTARY
P	1	KNOB, IGNITOR
Q	1	TEMPERATURE GAUGE
R	1	LOGO PLATE
S	2	WIRE RACK, SMOKER CHAMBER
T	1	WIRE, ELECTRODE
U	1	TOP GRATE, PORCELAIN
---	1	HARDWARE PACK
---	1	ASSEMBLY INSTRUCTIONS, ENGLISH, FRENCH, SPANISH

Hardware List

Item	Description	Qty.
1	#1/4 Flat washer	2
2	#10-24 Keps nut	4
3	1/4-20 Keps nut	6
4	#10-24×3/8" Screw	4
5	#1/4-20 Reversible Lock Nut	1
6	#1/4-20×3/4" Combo truss head screw	6
7	#1/4-20×1/2" Hex head bolt	9
8	#1/4-20×1/2" Combo truss head screw	3

NOTE: Some grill parts shown in the assembly steps may differ slightly in appearance from those on your particular model. However, the method of assembly remains the same.

LISTE DES PIÈCES

<u>Clé</u>	<u>Qté</u>	<u>Description</u>
A	1	CHAMBRE DE FUMÉE
B	1	PORTE, CHAMBRE DE FUMÉE
C	1	TIROIR DE LA CHAMBRE DE FUMÉE
D	1	ENSEMBLE LOGEMENT DU BRÛLEUR
E	1	ENSEMBLE PANNEAU DE COMMANDE
F	4	PATTE
G	1	ENSEMBLE BRÛLEUR
H	1	ASSEMBLAGE DU REGISTRE DE TIRAGE, SUPÉRIEUR
I	3	GRILLE, CUISSON
J	1	BAC, EAU
K	1	FLEXIBLE, ROBINET, RÉGULATEUR
L	3	POIGNÉE
M	4	RESSORT DE LA POIGNÉE
N	1	BOUTON, COMMANDE
O	1	ALLUMEUR, ENSEMBLE ROTATIF
P	1	BOUTON, ALLUMEUR
Q	1	INDICATEUR DE TEMPÉRATURE
R	1	PLAQUE DU LOGO DU GRIL DE TYPE CHARBON DE BOIS
S	2	GRILLE, CHAMBRE DE FUMÉE
T	1	FIL-ÉLECTRODE
U	1	GRILLE SUPÉRIEURE, PORCELAINE
---	1	EMBALLAGE DE QUINCAILLERIE
---	1	CONSIGNES D'ASSEMBLAGE, ANGLAIS, FRANÇAIS, ESPAGNOL

Liste de la quincaillerie

Article	Description	Qté
1	Rondelle plate n° 1/4	2
2	Écrou à rondelle dentée n° 10-24	4
3	Écrou à rondelle dentée n° 1/4-20	6
4	Vis n° 10-24 x 3/8 po	4
5	Écrou réversible n° 1/4-20	1
6	Vis à tête large mixte n° 1/4-20 x 3/4 po	6
7	Boulon à tête hexagonale n° 1/4-20 x 1/2 po	9
8	Vis à tête large mixte n° 1/4-20 x 1/2 po	3

REMARQUE : certaines pièces montrées dans les étapes d'assemblage peuvent être légèrement différentes de celles destinées à votre modèle de gril. La méthode d'assemblage reste cependant la même.

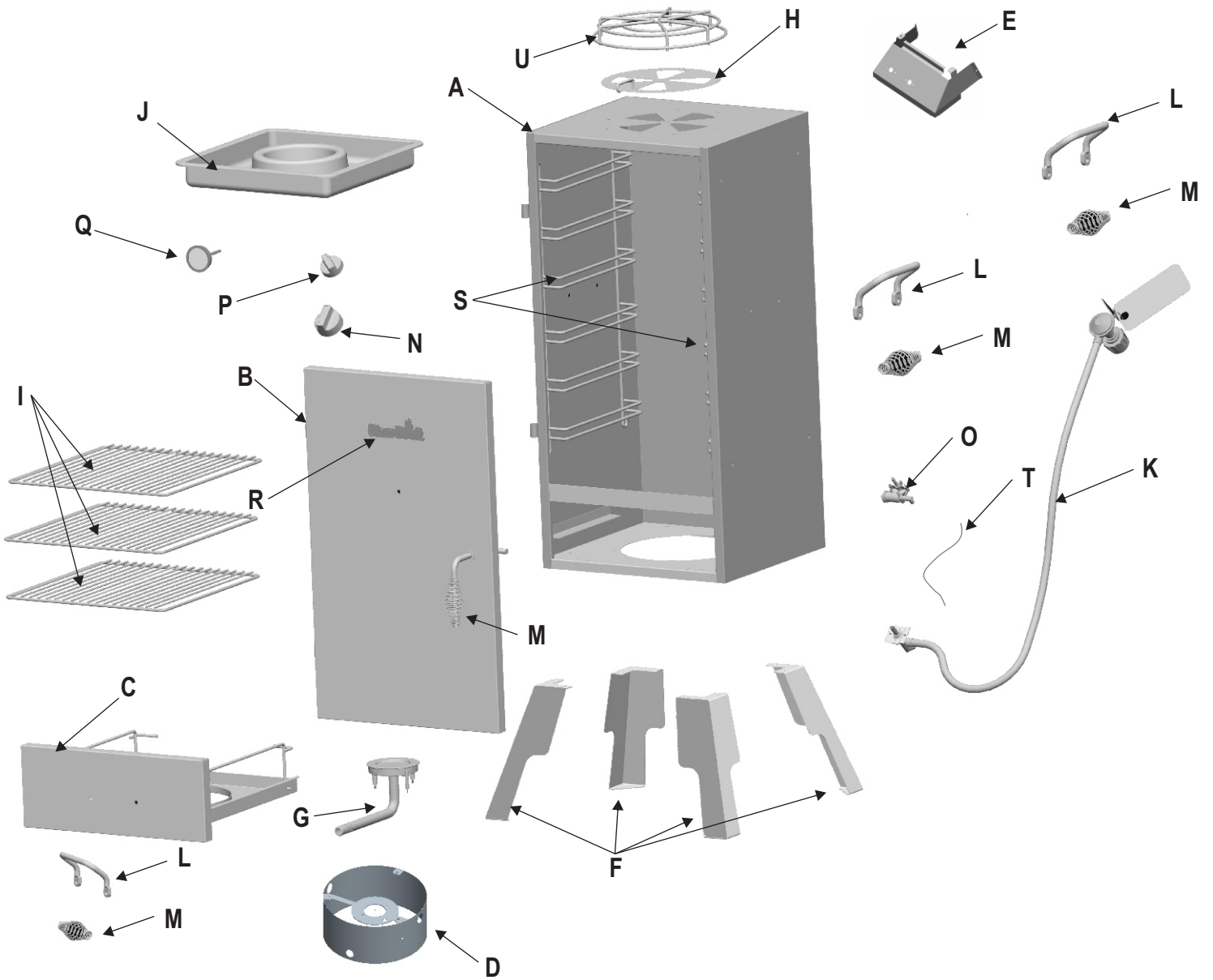
LISTA DE PIEZAS

<u>Clave</u>	<u>Cant.</u>	<u>Descripción</u>
A	1	CÁMARA DE AHUMADO
B	1	PUERTA, CÁMARA DE AHUMADO
C	1	CÁMARA DE COMBUSTIÓN
D	1	RECINTO DEL QUEMADOR
E	1	UNIDAD DEL TABLERO DE CONTROL
F	4	PATA
G	1	UNIDAD DEL QUEMADOR
H	1	UNIDAD DEL REGULADOR, PARTE SUPERIOR
I	3	REJILLA DE COCCIÓN
J	1	RECIPIENTE DE AGUA
K	1	MANGUERA, VÁLVULA, REGULADOR
L	3	UNIDAD DEL ASA
M	4	PRIMAVERA DE MANGO
N	1	PERILLA DE CONTROL
O	1	UNIDAD DEL ENCENDEDOR GIRATORIO
P	1	PERILLA DEL ENCENDEDOR
Q	1	TERMÓMETRO
R	1	PLACA DEL LOGOTIPO CHAR-BROIL
S	2	SOPORTES PARA REJILLAS, CÁMARA DE AHUMADO
T	1	CABLE DEL ELECTRODO
U	1	REJILLA SUPERIOR, REVESTIMIENTO DE PORCELANA
---	1	BOLSA DE HERRAJES
—	1	INSTRUCCIONES DE ARMADO, INGLÉS', FRANCÉS ,ESPAÑOL

Lista de hardware

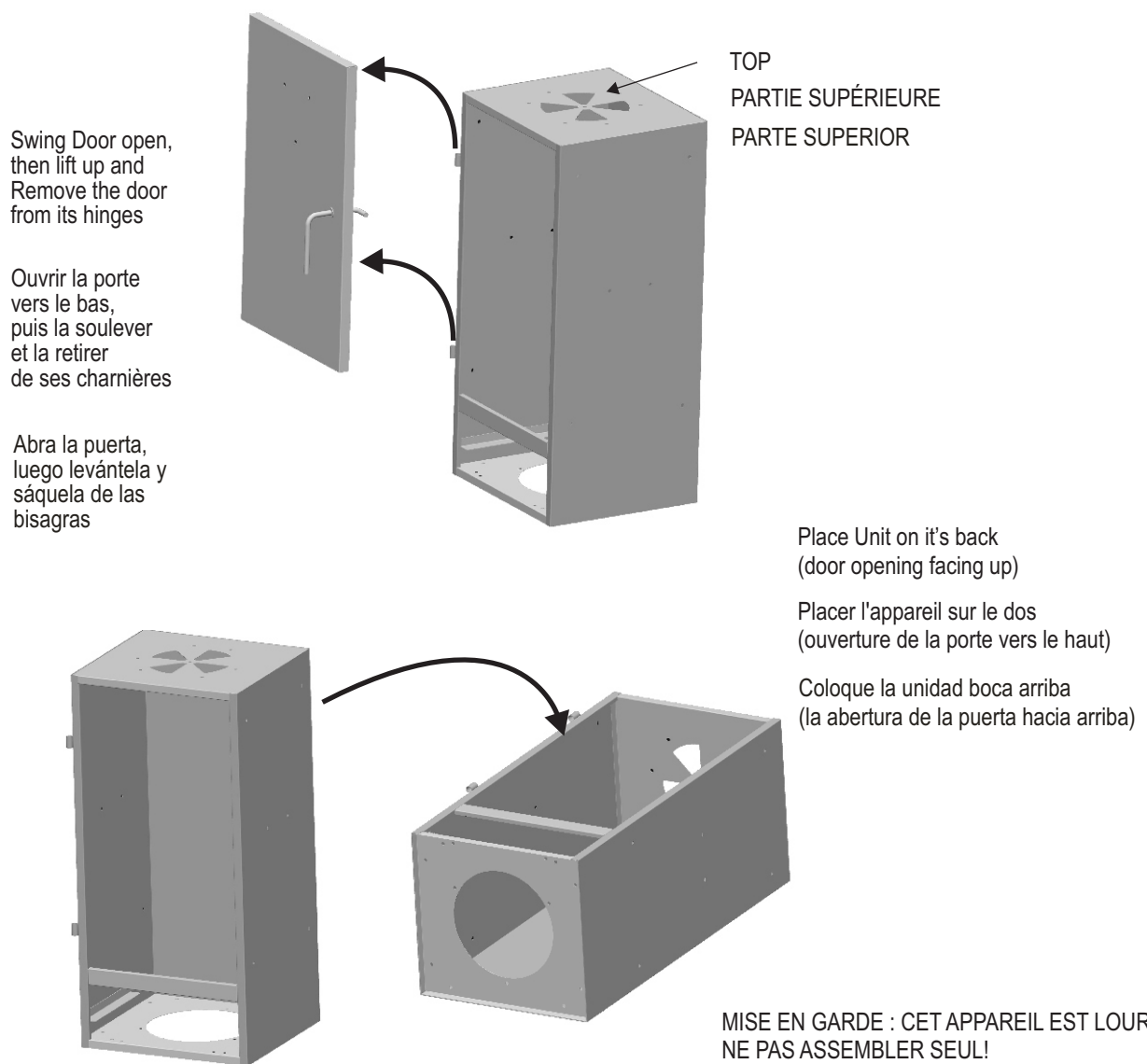
Artículo	Descripción	Cant.
1	#1/4 Arandela plana	2
2	#10-24 KEPS tuerca	4
3	#1/4-20 KEPS tuerca	6
4	#10-24 x 3/8" Tornillo	4
5	#1/4-20 Tuerca de seguridad	1
6	#1/4-20 x 3/4" Armadura tornillo de cabeza	6
7	#1/4-20 x 1/2" Perno de cabeza hexagonal	9
8	#1/4-20 x 1/2" Armadura tornillo de cabeza	3

NOTA: Algunas de las piezas de la parrilla, ilustradas en los pasos de armado, pueden ser ligeramente diferentes a las de su modelo. Sin embargo, el método de armado es el mismo.



1

- Carefully remove the door from the unit by swinging it opening and lifting it up and away from the smoker chamber. Lay the door aside.
 - Place the Smoker Chamber on it's back with the door opening facing up. **CAUTION: This unit is heavy!**
-
- Retirer délicatement la porte de l'appareil en l'ouvrant vers le bas et en la soulevant pour la retirer de la chambre de fumée. Mettre la porte de côté.
 - Placer la Chambre de fumée sur le devant avec l'ouverture de porte vers le haut. **MISE EN GARDE : Cet appareil est lourd!**
-
- Para sacar la puerta de la cámara de ahumado, ábrala y levántela con cuidado. Deje la puerta a un lado.
 - Coloque la cámara de ahumado boca arriba. **ADVERTENCIA: ¡Esta unidad es pesada!**



**MISE EN GARDE : CET APPAREIL EST LOURD!
NE PAS ASSEMBLER SEUL!**

**ADVERTENCIA: ¡ESTA UNIDAD ES PESADA!
NO LA ARME SIN LA AYUDA DE OTRA PERSONA**

**CAUTION: THIS UNIT IS HEAVY!
DO NOT ASSEMBLE WITHOUT A HELPER!**

2

- Install Burner Housing to Smoker Chamber using three 1/4-20x1/2" bolts. Install all bolts hand tight, then tighten with a #2 phillips screwdriver. (not provided)
- NOTE: The venturi tube MUST face up (towards the door opening).

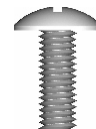
- Installer le logement du brûleur sur la Chambre de fumée en utilisant trois boulons 1/4-20 x 1/2 po. Serrer tous les boulons à la main, puis serrer avec un tournevis Phillipps n° 2. (Non prévu)
- REMARQUE : Le tube de Venturi DOIT pointer vers le haut (vers l'ouverture de la porte).

- Instale el recinto del quemador en la cámara de ahumado con tres pernos de 1/4-20 x 1/2". Apriete a mano todos los tornillos que instale, luego apriéte los con un destornillador Phillips No. 2 (que no viene incluido).
- NOTA: El tubo Venturi DEBE quedar orientado hacia arriba (hacia la abertura para la puerta).

NOTE:
The venturi tube
MUST be installed
as shown

REMARQUE :
Le tube de Venturi
doit être installé,
tel qu'il est indiqué.

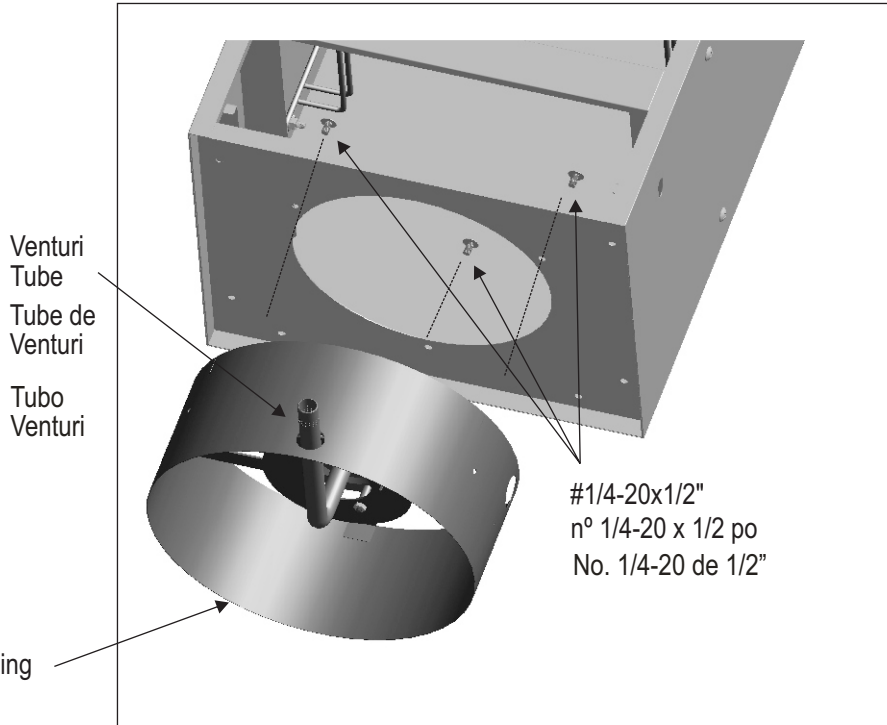
NOTA:
El tubo Venturi
DEBE quedar instalado
como se ilustra



#1/4-20x1/2"
Combo Truss
head screw
Qty: 3

Vis à tête large
n° 1/4-20 x 1/2 po
Qté : 3

Tornillo
Combo Truss
No. 1/4-20 de 1/2"
Cant.: 3



Venturi
Tube
Tube de
Venturi
Tubo
Venturi

Burner Housing
with Burner

Logement du brûleur
avec brûleur

Recinto con
el quemador

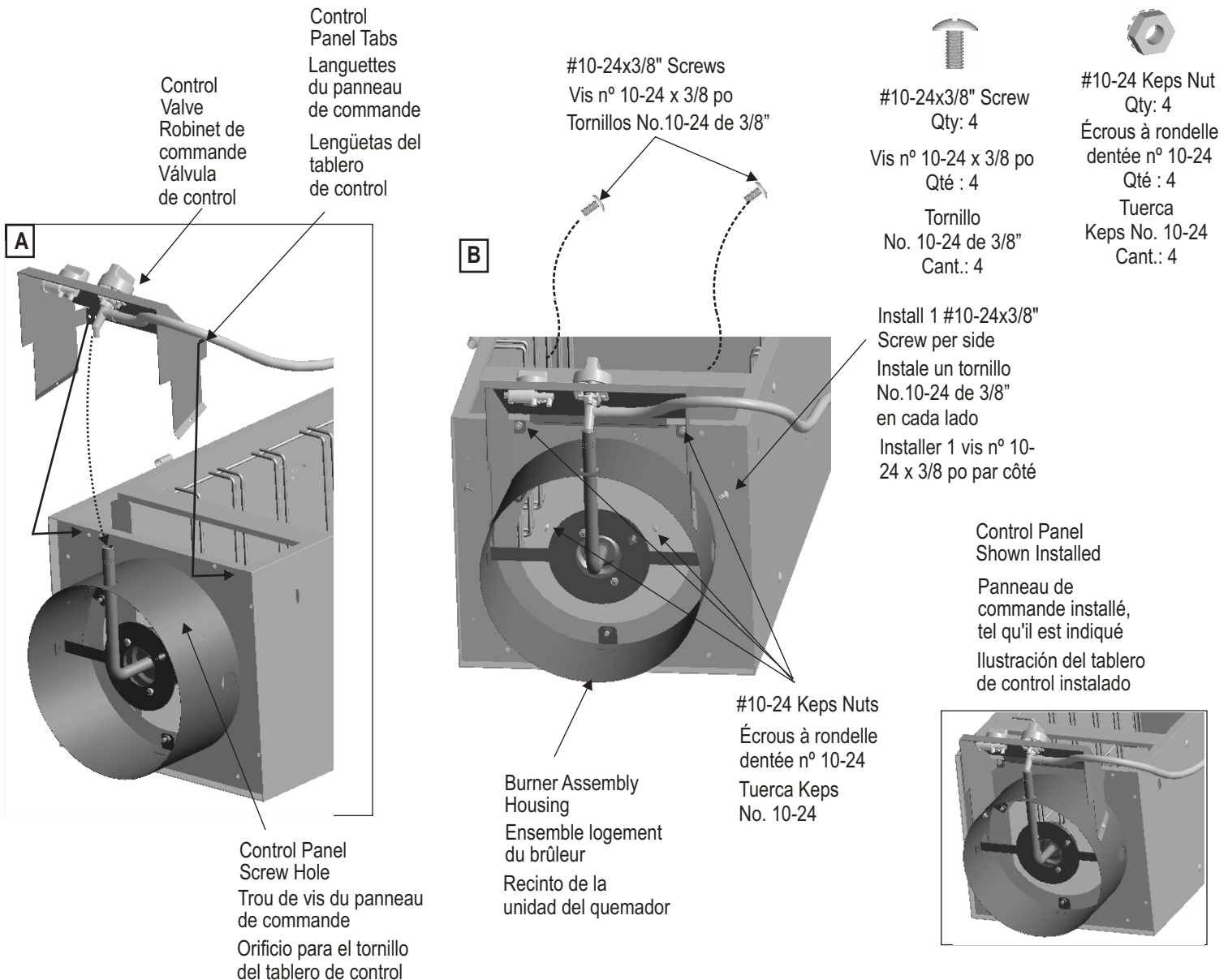
#1/4-20x1/2"
n° 1/4-20 x 1/2 po
No. 1/4-20 de 1/2"

3

- Place Control Panel Assembly onto Smoker Chamber by placing tabs under the front edge of the Smoker Chamber. The Control valve must engage the burner venturi tube as shown **A**.
- From the inside of the Smoker Chamber, Install 2 #10-24x3/8" screws through the smoker chamber and through the Control panel Tabs as shown. Thread 1 #10-24 Keps Nut onto each screw and tighten As shown **B**. Install 2 #10-24x3/8" screws through the control panel tabs and into the burner assembly housing. Thread 1 #10-24 Keps Nut onto each screw and tighten securely. **Shown B**

- Installer l'ensemble panneau de commande sur la Chambre de fumée en plaçant les languettes sous le bord avant de la Chambre de fumée. Le Robinet de commande doit s'enclencher sur le tube de Venturi du brûleur, tel qu'il est indiqué à **A**.
- De l'intérieur de la Chambre de fumée, installer 2 vis n° 10-24 x 3/8 po dans la chambre de fumée et les languettes du Panneau de commande, tel qu'il est indiqué. Visser 1 écrou à rondelle dentée n° 10-24 sur chaque vis, puis serrer, tel qu'il est indiqué à **B**. Installer 2 vis n° 10-24 x 3/8 po dans les languettes du panneau de commande et l'ensemble logement du brûleur. Visser 1 écrou rondelle dentée n° 10-24 sur chaque vis, puis serrer fermement. **Tel qu'il est indiqué à B**

- Coloque la unidad del tablero de control en la cámara de ahumado metiendo las lengüetas por debajo del borde delantero de la misma. La válvula de control debe quedar conectada al tubo Venturi del quemador, como se ilustra **A**.
- Desde el interior de la cámara de ahumado, coloque 2 tornillos No.10-24 de 3/8" en los orificios de la cámara de ahumado y los de las lengüetas del tablero de control, como se ilustra. Enrosque una tuerca Keps No.10-24 en cada tornillo y apriétela, como se ilustra en **B**. Coloque 2 tornillos No.10-24 de 3/8" en los orificios de las lengüetas del tablero de control y en los del recinto de la unidad del quemador. Enrosque una tuerca Keps No. 10-24 en cada tornillo, y apriétela bien; **como se ilustra en B**

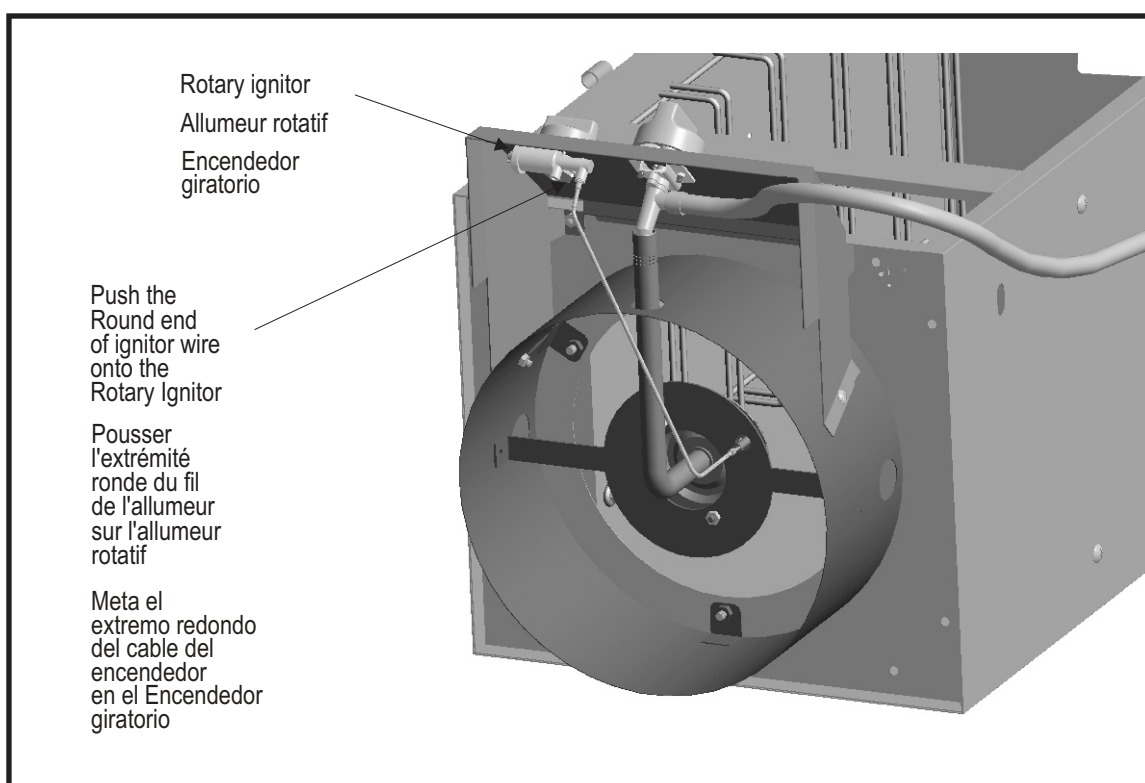


4

- Be sure the electrode wire exits the hole UNDER the venturi tube hole. DO NOT route the wire through the same hole as the burner venturi tube.
- Install Ignitor Wire by pushing the round connector onto the Ignitor as shown.

-
- S'assurer que le-fil électrode sort par le trou SOUS le trou du tube de Venturi. NE PAS faire passer le fil par le même trou que le tube de Venturi du brûleur.
 - Installer le fil de l'allumeur en poussant le connecteur rond sur l'allumeur, tel qu'il est indiqué.

-
- Recuerde que el cable del electrodo debe salir por el orificio ubicado POR DEBAJO del orificio para el tubo Venturi. NO pase el cable por el mismo orificio que el del tubo Venturi del quemador.
 - Para instalar el cable del encendedor, meta el conector redondo en el encendedor, como se ilustra.

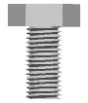


5

- Install legs by placing 2 - 1/4-20x1/2" Hex Head Bolt through the smoker body and through each leg as shown. Thread the bolts into the 1/4-20 nut welded to the underside of each leg. Tighten bolts by hand. Using an adjustable wrench (not provided), tighten each bolt securely.
- Install the leg with the rating label on the back side of the smoker body, as shown.

- Installer les pattes en plaçant 2 boulons à tête hexagonale - 1/4-20 x 1/2 po dans l'enceinte de la chambre de fumée à chaque patte, tel qu'il est indiqué. Visser les boulons dans l'écrou 1/4-20 soudée en dessous de chaque patte. Serrer les boulons à la main. En utilisant une clé à ouverture variable (non prévue), serrer fermement chaque boulon.
- Installer la patte avec l'étiquette sur la face arrière de l'enceinte de la chambre de fumée, tel qu'il est indiqué.

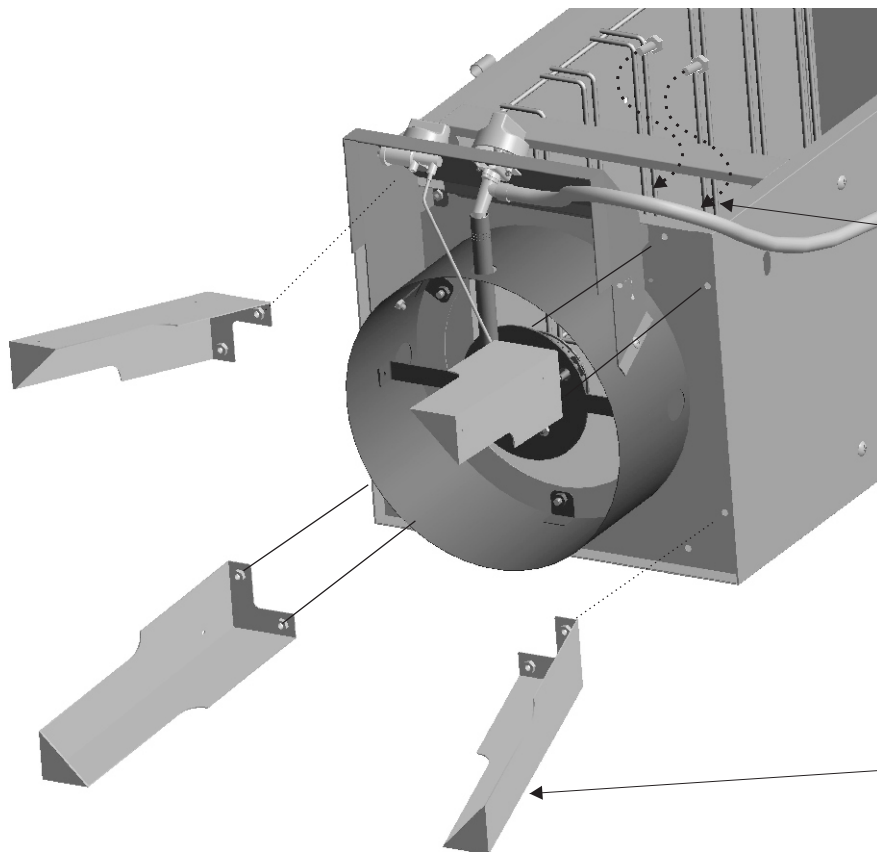
- Instale las patas colocando 2 pernos de cabeza hexagonal de 1/4-20 x 1/2" en los orificios del cuerpo del ahumador y de los de cada pata, como se ilustra. Enrosque los pernos en las tuercas de 1/4-20 soldadas a la parte inferior de cada pata. Apriete los pernos con la mano. Con una llave inglesa (que no viene incluida), apriete bien cada perno.
- Instale la pata con la etiqueta de especificaciones en la parte posterior del cuerpo del ahumador, como se ilustra.



#1/4-20x1/2"
Hex Head Bolt
Qty: 8

Boulons
à tête hexagonale
n° 1/4-20 x 1/2 po
Qté : 8

Perno de cabeza hexagonal
No. 1/4-20 de 1/2"
Cant.: 8



Install bolts from inside
the smoker body

Installer les boulons de l'intérieur
de l'enceinte de la chambre de fumée

Instale los pernos desde el
interior del cuerpo del ahumador

Leg with Rating Label

Patte avec l'étiquette
de puissance nominale

Pata con etiqueta de especificaciones

6

- With the assistance of a helper - stand the unit upright on its legs.

CAUTION: THIS UNIT IS HEAVY!

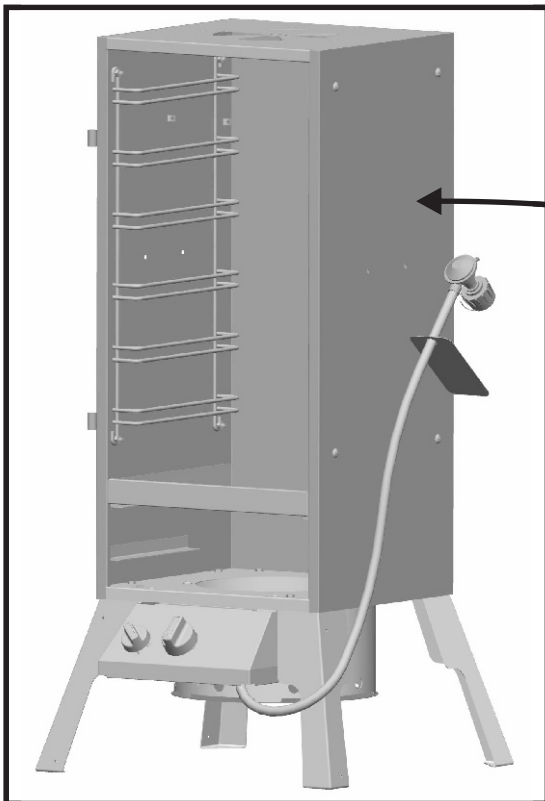
- Avec l'aide d'un assistant - relever l'appareil.

MISE EN GARDE : CET APPAREIL EST LOURD!

- Con la ayuda de otra persona, ponga la unidad sobre sus patas.

ADVERTENCIA: ¡ESTA UNIDAD ES PESADA!

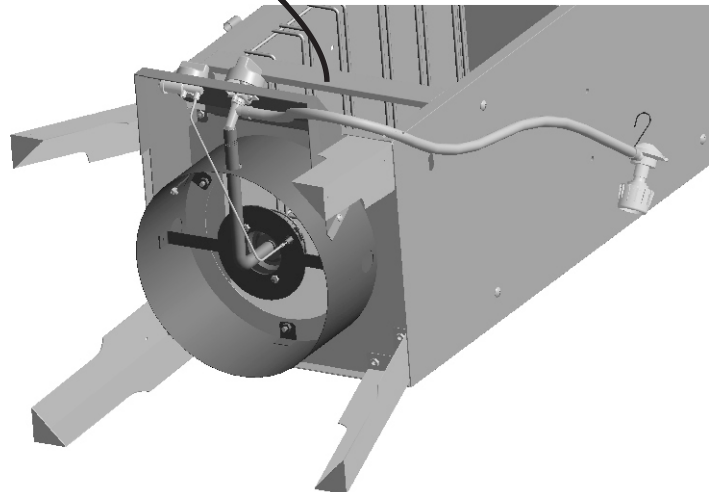
Stand the unit upright on its legs
Relever l'appareil
Ponga la unidad sobre sus patas



CAUTION: This unit is HEAVY!
Do not attempt this step without assistance!

MISE EN GARDE : Cet appareil est LOURD!
Ne pas effectuer cette étape sans assistance!

ADVERTENCIA: ¡Esta unidad es pesada!
¡No intente efectuar este paso sin la ayuda de otra persona!



7

- Insert 1/4-20x1/2" Hex Head Bolt and flat washer through the top smoker body, in the center of the damper holes as shown.(A)
- Insert the damper as shown. (B)
- Place the 1/4" flat washer onto bolt and thread the 1/4-20 nut on to the bolt. Tighten the nut sufficiently to allow the damper to move. (B)
- Damper is shown properly installed in figure C.
- Install the side handles with 1/4-20x3/4" screws and 1/4-20 Keps nuts as shown (D)
- NOTE: If the handle springs are not installed on the handle rod, Install them per inset E.

- Insérer le boulon à tête hexagonale 1/4-20 x 1/2 po et la rondelle plate dans l'enceinte de la chambre de fumée supérieure, au centre des trous du registre de tirage, tel qu'il est indiqué à (A).
- Insérer le registre de tirage, tel qu'il est indiqué. (B)
- Poser la rondelle plate 1/4 po sur le boulon, puis visser l'écrou 1/4-20 sur le boulon. Serrer l'écrou suffisamment pour permettre au registre de tirage de se déplacer. (B)
- Le registre de tirage est installé de façon approprié, tel qu'il est indiqué à la Figure C.
- Installer les poignées latérales avec les vis 1/4-20 x 3/4 po et les écrous à rondelle dentée 1/4 - 20, tel qu'il est indiqué à (D).
- REMARQUE : Si les ressorts de la poignée ne sont pas installés sur la tige de la poignée, les installer, tel qu'il est indiqué à l'Encartage E.

- Coloque un perno de cabeza hexagonal de 1/4-20 x 1/2" y arandela plana en el orificio de la parte superior del cuerpo del ahumador y en el del centro del regulador de aire, como se ilustra.(A)
- Introduzca el regulador de aire, como se ilustra. (B)
- Coloque la arandela plana de 1/4" y enrosque la tuerca de 1/4-20 en el perno. Apriete la tuerca lo suficiente para que el regulador de aire se pueda mover libremente. (B)
- El regulador de aire se muestra correctamente instalado en la figura C.
- Instale las asas laterales con tornillos de 1/4-20 x 3/4" y tuercas Keps 1/4-20, como se ilustra en D.
- NOTA: Si los resortes no vienen instalados en las varillas de las asas, instáuelos, como se ilustra en E.

Insert 1/4-20x1/2" bolt and flat washer into bolt hole

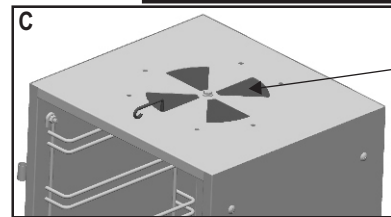
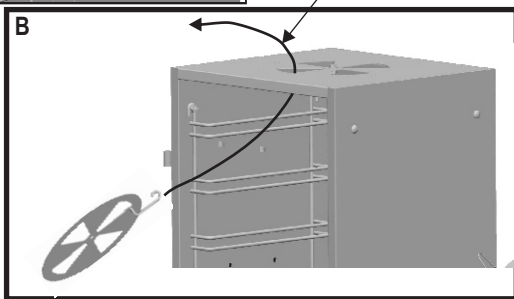
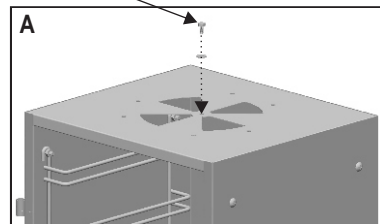
Insérer le boulon 1/4-20 x 1/2 po et la rondelle plate dans le trou de boulon

Coloque un perno de 1/4-20 x 1/2" y una arandela plana en el orificio para el perno

Insert damper handle through damper hole as shown

Insérer la poignée du registre de tirage dans le trou du registre de tirage, tel qu'il est indiqué

Introduzca el asa del regulador por el orificio para el mismo



Damper shown installed
Registre de tirage installé, tel qu'il est indiqué
El regulador de aire instalado

CAUTION: THE DAMPER HANDLE WILL BE HOT WHILE COOKING! WEAR AN INSULATED OVEN MITT WHEN MAKING ADJUSTMENTS!

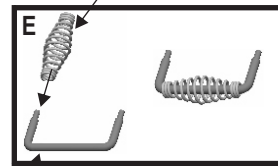
MISE EN GARDE : LA POIGNÉE DU REGISTRE DE TIRAGE SERA CHAUDE PENDANT LA CUISSON! PORTER DES GANTS DE CUISINE ISOLÉS POUR LES RÉGLAGES!

ADVERTENCIA: EL ASA DEL REGULADOR SE CALIENTA DURANTE LA COCCIÓN. PARA AJUSTAR EL REGULADOR, PÓNGASE UN GUAANTE DE COCINAR

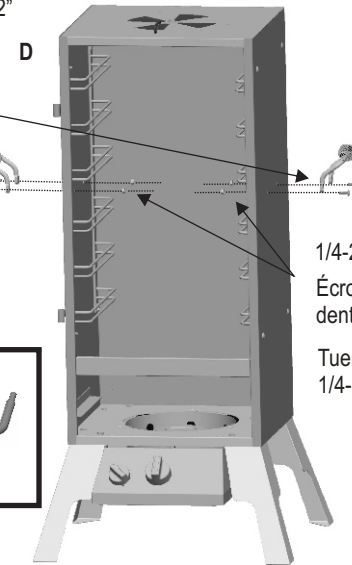
				
#1/4-20x3/4" Combo truss head screw Qty: 4	#1/4-20x1/2" Hex Head Bolt Qty: 1	1/4" Flat Washer Qty: 2	#1/4-20 Nut Qty: 1	#1/4-20 Keps Nut Qty: 4
À tête large mixte n° 1/4-20 x 3/4 po Qté : 4 vis	Boulon à tête hexagonale n° 1/4-20 x 1/2 po Qté : 1	rondelles plates 1/4" Qté : 2	Écrou n° 1/4-20 Qté : 1	Écrous à rondelle dentée n° 1/4-20 Qté : 4
Tornillo Combo Truss No.1/4-20 de 3/4" Cant.: 4	Perno de cabeza hexagonal No. 1/4-20 de 1/2" Cant.: 1	Arandela plana 1/4" Cant.: 2	Tuerca No. 1/4-20 Cant.: 1	Tuerca Keps No. 1/4-20 Cant.: 4

1/4-20x3/4" screws
Vis 1/4-20 x 3/4 po
Tornillos de 1/4-20 x 3/4"

Spring
Ressort
Resorte



Handle Rod
Tige de la poignée
Varilla del asa



1/4-20 Keps nuts
Écrous à rondelle dentée n° 1/4-20
Tuercas Keps de 1/4-20

Install Side Handles with 1/4-20x3/4" bolts and 1/4-20 Keps nuts as shown.

Installer les poignées latérales avec les boulons 1/4-20 x 3/4 po et les écrous à rondelle dentée 1/4-20, tel qu'il est indiqué.

Instale las asas laterales con pernos de 1/4-20 x 3/4" y tuercas Keps de 1/4-20, como se ilustra

8


- Install Drawer Handle using 2 - 1/4-20x 3/4" screws and 2 1/4-20 Keps nuts. Tighten securely.
- Place the Water Pan onto the drawer rack as shown.
- Slide the Drawer, with Water Pan, into the Smoker body.

- Installer la poignée du tiroir en utilisant 2 vis - 1/4-20 x 3/4 po et 2 écrous à rondelle dentée 1/4-20 po. Serrer solidement.
- Poser le bac à eau sur la grille du tiroir, tel qu'il est indiqué.
- Faire glisser le tiroir, avec bac à eau, dans l'enceinte de la chambre de fumée.

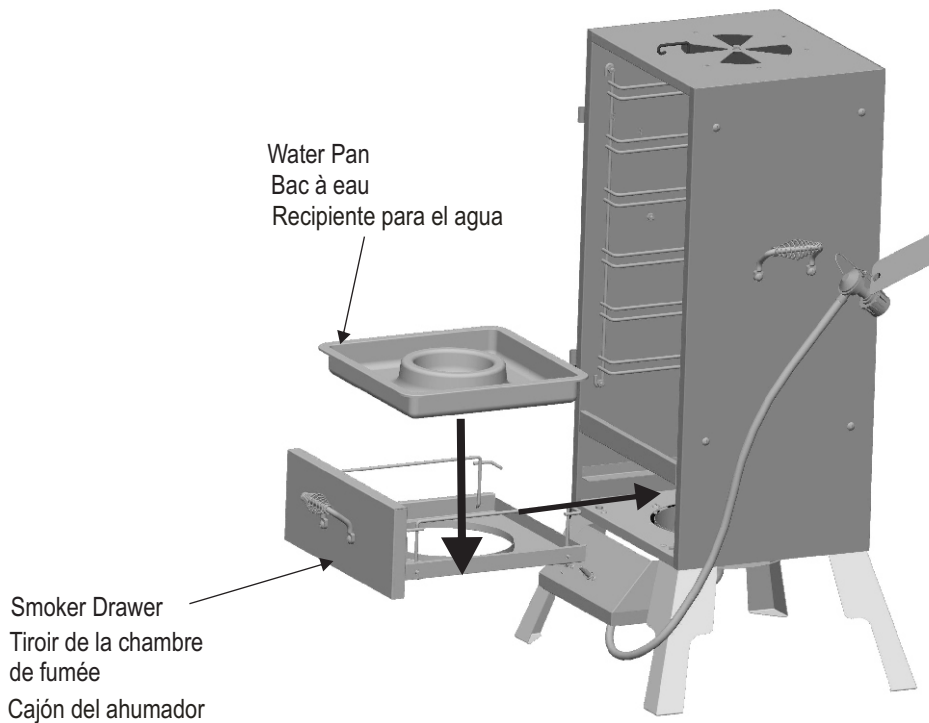
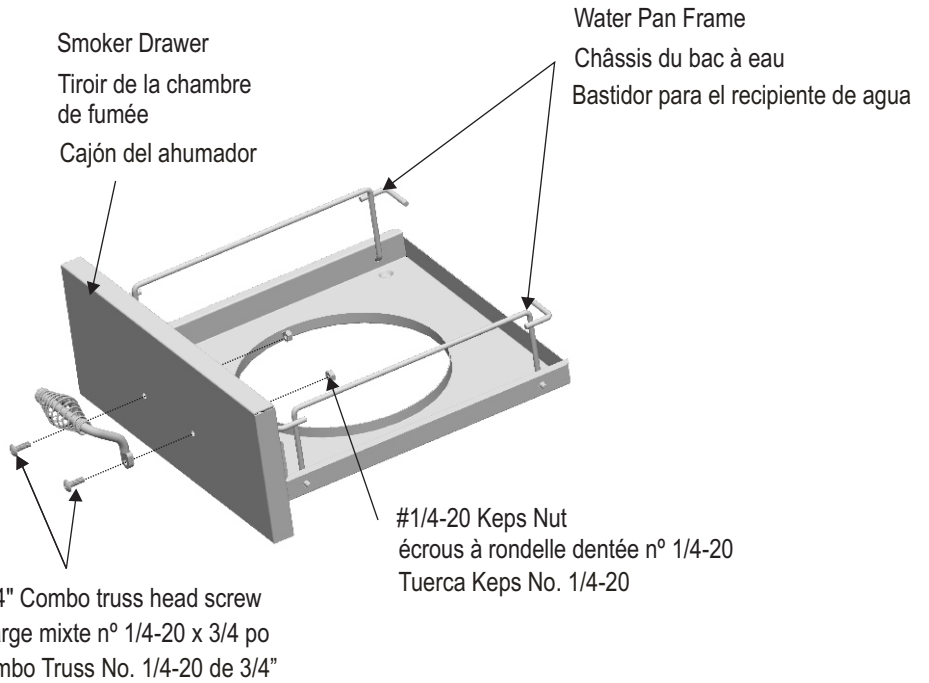
- Instale el asa del cajón con dos tornillos de 1/4-20 x 3/4" y dos tuercas Keps de 1/4-20. Apriételos bien.
- Coloque el recipiente para el agua en el bastidor del cajón, como se ilustra.
- Coloque el cajón, con el recipiente para el agua, en el cuerpo del ahumador.



#1/4-20x3/4"
Combo truss
head screw
Qty: 2
Vvis à tête
large mixte
n° 1/4-20 x 3/4 po
Qté : 2
Tornillo
Combo Truss
No. 1/4-20 de 3/4"
Cant.: 2



#1/4-20 Keps Nut
Qty: 2
Écrous à rondelle
dentée n° 1/4-20
Qté : 2
Tuerca Keps
No. 1/4-20
Cant.: 2

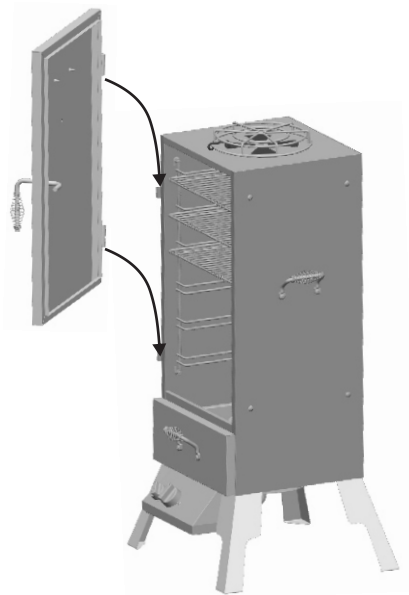
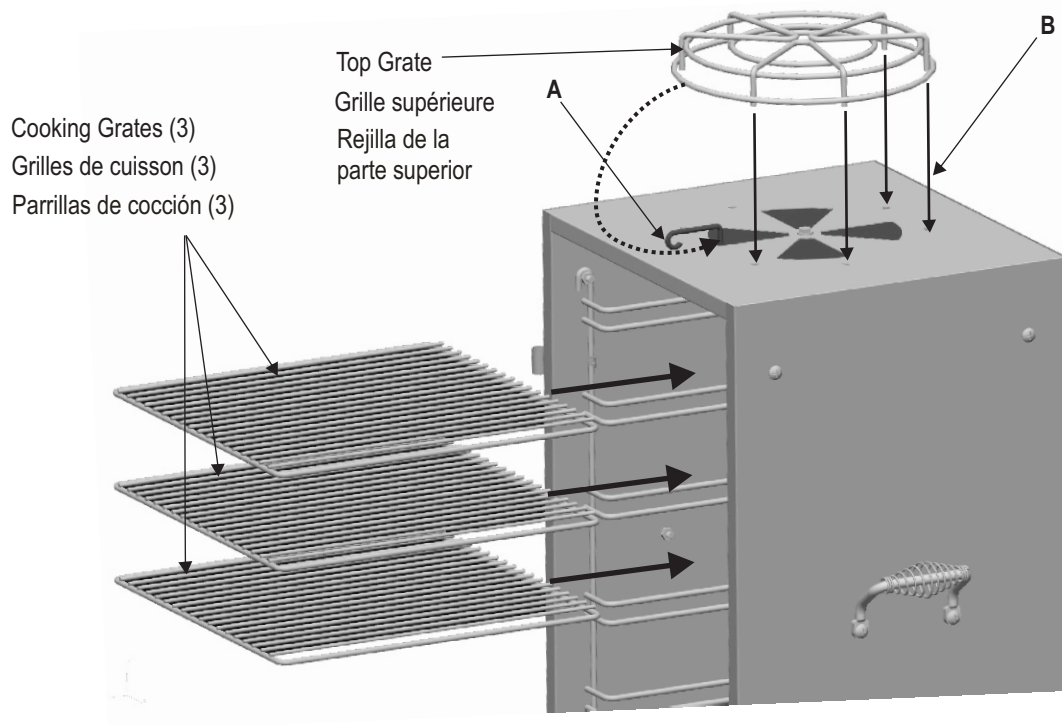


9

- Insert the 3 Cooking Grates into the smoker body.
- Slip the edge of the Top Grate under the Damper Handle (A), Then carefully align the grate so that the wire ends fit into the holes in the Smoker Body top.(B)
- Carefully place the door back onto the Smoker Body hinges.

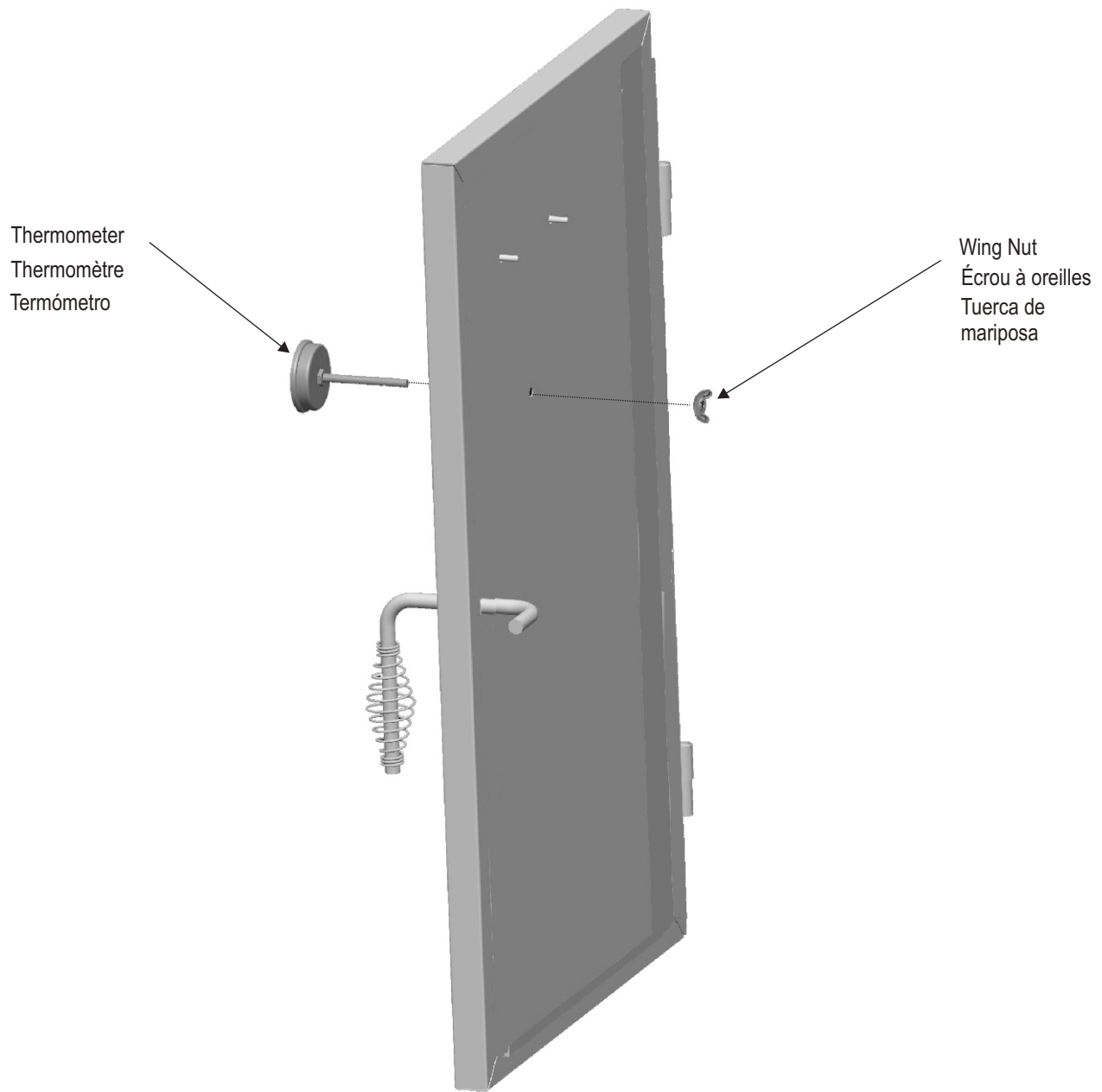
- Insérer les 3 grilles de cuisson dans l'enceinte de la chambre de tirage.
- Faire glisser le bord de la Grille supérieure sous la Poignée du registre de tirage (A), puis aligner soigneusement la grille de telle sorte que les extrémités s'insèrent dans les trous de la partie supérieure de l'Enceinte de la chambre de fumée (B).
- Reposer délicatement la porte sur les charnières de l'Enceinte de la chambre de tirage.

- Coloque las tres rejillas de cocción en el cuerpo del ahumador.
- Meta el borde la rejilla de la parte superior por debajo del asa del regulador de aire (A); luego, alinee cuidadosamente la rejilla de manera que los extremos de las varillas de alambre encajen en los orificios de la parte superior del cuerpo del ahumador.(B)
- Con cuidado, vuelva a instalar la puerta en las bisagras del cuerpo del ahumador.



10

- Remove wingnut from Thermometer, insert Thermometer through the hole in the door from the front, reinstall the wingnut to the Thermometer.
- Retirer l'écrou à oreilles du thermomètre, insérer le thermomètre dans le trou de la porte à partir du devant, reposer l'écrou à oreilles sur le Thermomètre.
- Retire la tuerca de mariposa del termómetro; desde la parte exterior, introduzca el termómetro por el orificio de la puerta, y vuelva a instalarle la tuerca de mariposa.



EMERGENCIES: If a gas leak cannot be stopped, or a fire occurs due to gas leakage, call the fire department.

Emergencies	Possible Cause	Prevention/Solution
Gas leaking from cracked/cut/burned hose.	<ul style="list-style-type: none"> •Damaged hose. 	<ul style="list-style-type: none"> •Turn off gas at LP cylinder or at source on natural gas systems. Discontinue use of product and replace valve/hose/regulator. Once valve/hose/regulator replaced conduct complete leak check per manual.
Gas leaking from LP cylinder.	<ul style="list-style-type: none"> •Mechanical failure due to rusting or mishandling. 	<ul style="list-style-type: none"> •Replace LP cylinder.
Gas leaking from LP cylinder valve.	<ul style="list-style-type: none"> • Failure of cylinder valve from mishandling or mechanical failure. 	<ul style="list-style-type: none"> •Turn off LP cylinder valve. Return LP cylinder to gas supplier.
Gas leaking between LP cylinder and regulator connection.	<ul style="list-style-type: none"> •Improper installation, connection not tight, and/or failure of rubber seal. 	<ul style="list-style-type: none"> •Turn off LP cylinder valve. Remove regulator from cylinder and visually inspect rubber seal for damage. See LP Cylinder Leak Test and Connecting Regulator to the LP Cylinder.
Fire coming through control panel.	<ul style="list-style-type: none"> •Fire in burner tube section of burner due to blockage. 	<ul style="list-style-type: none"> •Turn off control knobs and LP cylinder valve. Leave lid open to allow flames to die down. After fire is out and grill is cold, remove burner and inspect for spider nests or rust. See Natural Hazard and Cleaning the Burner Assembly pages.
Grease fire or continuous excessive flames above cooking surface.	<ul style="list-style-type: none"> •Too much grease buildup in burner area. 	<ul style="list-style-type: none"> •Turn off control knobs and LP cylinder valve. Leave lid open to allow flames to die down. After cooling, clean food particles and excess grease from inside firebox area, grease cup, and other surfaces.

Troubleshooting

Problem	Possible Cause	Prevention/Solution
<p>Burner(s) will not light using ignitor.</p> <p><i>Continued on next page.</i></p>	<p>GAS ISSUES:</p> <ul style="list-style-type: none"> •Trying to light wrong burner. •Burner not engaged with control valve. •Obstruction in burner. •No gas flow. •Vapor lock at coupling nut to LP cylinder. •Coupling nut and LP cylinder valve not fully connected. <p>ELECTRICAL ISSUES:</p> <ul style="list-style-type: none"> •Electrode cracked or broken; "sparks at crack." •Electrode tip not in proper position. •Wire and/or electrode covered with cooking residue. •Wires are loose or disconnected. •Wires are shorting (sparking) between ignitor and electrode. 	<ul style="list-style-type: none"> •See instructions on control panel and in Use and Care section. •Make sure valves are positioned inside of burner tubes. •Ensure burner tubes are not obstructed with spider webs or other matter. See cleaning section of Use and Care. •Make sure LP cylinder is not empty. If LP cylinder is not empty, refer to "Sudden drop in gas flow" in <i>Troubleshooting</i> section. •Turn off knobs and disconnect coupling nut from LP cylinder. Reconnect and retry. •Turn the coupling nut approximately one-half to three-quarters additional turn until solid stop. Tighten by hand only - do not use tools. •Replace electrode(s). <p>Main Burners:</p> <ul style="list-style-type: none"> •Tip of electrode should be pointing toward gas port opening on burner. The distance should be 1/8" to 1/4". Adjust if necessary. <p>Sideburner (if featured):</p> <ul style="list-style-type: none"> •Tip of electrode should be pointing toward gas port opening on burner. the distance should be 1/8" to 3/16". Adjust if necessary. <ul style="list-style-type: none"> •Clean wire and/or electrode with rubbing alcohol and clean swab. •Reconnect wires or replace electrode/wire assembly. •Replace ignitor wire/electrode assembly.

Troubleshooting (continued)

Problem	Possible Cause	Prevention/Solution
Burner will not light using ignitor.	<ul style="list-style-type: none"> • Rotary knob rotates without clicking. • Sparking between ignitor and electrode. 	<ul style="list-style-type: none"> • Replace knob. • Inspect wire insulation and proper connection. Replace wire if insulation is broken.
Burner will not match light.	<ul style="list-style-type: none"> • See "GAS ISSUES:" on previous page. • Match will not reach. • Improper method of match-lighting. 	<ul style="list-style-type: none"> • Use long-stem match (fireplace match). • See "Match-Lighting" section of Use and Care.
Sudden drop in gas flow or low flame.	<ul style="list-style-type: none"> • Out of gas. • Excess flow valve on regulator tripped. • Vapor lock at coupling nut/LP cylinder connection. 	<ul style="list-style-type: none"> • Check for gas in LP cylinder. • Turn off control knob, wait 30 seconds and light appliance. If flames are still low, turn off knob and LP cylinder valve. Disconnect regulator. Reconnect regulator and leak-test. Turn on LP cylinder valve, wait 30 seconds and then light appliance. • Turn off knob and LP cylinder valve. Disconnect coupling nut from cylinder. Reconnect and retry.
Flames blow out.	<ul style="list-style-type: none"> • Low on LP gas. • Excess flow valve tripped. 	<ul style="list-style-type: none"> • Refill LP cylinder. • Refer to "Sudden drop in gas flow" above.
Flare-up.	<ul style="list-style-type: none"> • Grease buildup. • Excessive fat in meat. • Excessive cooking temperature. 	<ul style="list-style-type: none"> • Clean burner and inside of fryer body. • Trim fat from meat before grilling. • Adjust (lower) temperature accordingly.
Persistent grease fire.	<ul style="list-style-type: none"> • Grease trapped by food buildup around burner system. 	<ul style="list-style-type: none"> • Turn knob to OFF. Turn gas off at LP cylinder. Let fire burn out. After fryer cools, remove and clean all parts.
Flashback... (fire in burner).	<ul style="list-style-type: none"> • Burner is blocked. 	<ul style="list-style-type: none"> • Turn knob to OFF. Clean burner. See burner cleaning section of Use and Care.
Cooking slower than expected	<ul style="list-style-type: none"> • Vapor Lock • Valve not properly aligned to burner • High wind conditions 	<ul style="list-style-type: none"> • Turn off control knob and disconnect coupling nut from LP cylinder. Reconnect and retry. • Loosen control panel and valve. Be sure valve is centered top to bottom and left to right in burner . Tighten all components once proper alignment is achieved. • Relocate the appliance to a less windy area. Use Top Cover during cooking.

URGENCES : si une fuite de gaz ne peut pas être arrêtée, ou si un incendie se propage en raison d'une fuite de gaz, appelez le service d'incendie.

Urgences	Cause possible	Prévention/Solution
Fuite de gaz sur un tuyau cassé, coupé ou brûlé.	<ul style="list-style-type: none"> Tuyau endommagé. 	<ul style="list-style-type: none"> Fermez l'alimentation en gaz au niveau du réservoir ou à la source au niveau du système de distribution du gaz naturel. Cessez d'utiliser ce produit et remplacez la vanne / tuyau / régulateur. Une fois valve / tuyau / régulateur remplacé conduite vérification de fuite complète par manuel.
Fuite de gaz du réservoir de GPL.	<ul style="list-style-type: none"> Défaillance mécanique due à la rouille ou à une mauvaise manipulation. 	<ul style="list-style-type: none"> Remplacez le réservoir de gaz.
Fuite de gaz de la valve du réservoir de GPL.	<ul style="list-style-type: none"> Défaillance de la valve du réservoir due à une mauvaise manipulation ou à une défaillance mécanique. 	<ul style="list-style-type: none"> Fermez l'alimentation en gaz au niveau de la valve du réservoir de GPL. Rapportez le réservoir de GPL au fournisseur.
Fuite de gaz entre le réservoir de GPL et le raccord du régulateur.	<ul style="list-style-type: none"> Installation incorrecte, connexion non étanche, défaillance du joint d'étanchéité. 	<ul style="list-style-type: none"> Fermez l'alimentation en gaz au niveau de la valve du réservoir. Retirez le régulateur du réservoir et vérifiez par inspection visuelle si le joint d'étanchéité a été endommagé ou non. Consultez les sections « Essai d'étanchéité d'un réservoir de GPL » et « Connexion du régulateur au réservoir de GPL ».
Feu sortant du panneau de commande.	<ul style="list-style-type: none"> Feu dans le tube du brûleur au niveau du brûleur dû à un blocage. 	<ul style="list-style-type: none"> Fermez tous les boutons de réglage, ainsi que la valve du réservoir. Laissez le couvercle ouvert pour permettre aux flammes de s'éteindre. Une fois le feu éteint et l'appareil refroidi, enlevez le brûleur et inspectez-le afin d'identifier la présence de rouille ou de nids d'araignées. Consultez les pages concernant les dangers naturels et celles sur le nettoyage du brûleur.
Feu de graisse ou grosses flammes continues au dessus de la surface de cuisson.	<ul style="list-style-type: none"> Accumulation excessive de graisse autour du brûleur. 	<ul style="list-style-type: none"> Fermez tous les boutons de réglage, ainsi que la valve du réservoir. Laissez le couvercle ouvert pour permettre aux flammes de s'éteindre. Une fois le refroidissement terminé, enlevez les particules d'aliments et la graisse accumulés à l'intérieur du foyer, du plateau d'écoulement de la graisse et des autres surfaces.

Dépannage

Problème	Cause possible	Prévention/Solution
<p>Le dispositif d'allumage n'allume pas le(s) brûleur(s).</p> <p><i>suite à la page suivante</i></p>	<p>PROBLÈMES RELATIFS AU GAZ :</p> <ul style="list-style-type: none"> Vous essayez d'allumer le mauvais brûleur. Le brûleur n'est pas branché au système de valve. Le brûleur est obstrué. Le gaz ne circule pas. Il y a un bouchon de vapeur au niveau de l'écrou de raccord du réservoir de GPL. L'écrou de raccord et le réservoir de GPL ne sont pas complètement branchés. <p>PROBLÈMES ÉLECTRIQUES :</p> <ul style="list-style-type: none"> L'électrode est fendue ou cassée. Des étincelles se produisent à l'endroit de la fissure. La pointe de l'électrode n'est pas placée au bon endroit. Des fils ou l'électrode sont couverts de résidus de cuisson. Les fils sont débranchés ou le contact est mauvais. Court-circuit (étincelles) entre le dispositif d'allumage et l'électrode. La pile est épuisée. 	<ul style="list-style-type: none"> Voir les instructions sur le panneau de commande et dans la section Utilisation et entretien. Assurez-vous que le système de valve est bien inséré dans les tubes du brûleur. Assurez-vous que les tubes du brûleur ne sont pas obstrués par des toiles d'araignées ou par d'autres matières. Voir la section sur le nettoyage et l'entretien. Vérifiez que le réservoir de GPL n'est pas vide. Si le réservoir de GPL n'est pas vide, consultez l'article « Baisse subite de la circulation du gaz » à section de dépannage.. Fermez tous les boutons de réglage et débranchez l'écrou de raccord du réservoir de gaz. Rebranchez-le et essayez à nouveau. Tournez l'écrou de raccord d'environ un demi-tour ou de trois quarts de tour supplémentaire jusqu'à ce qu'il soit bloqué à fond. Ne serrez qu'à la main - n'utilisez pas d'outils. Remplacez la ou les électrodes. <p>Brûleurs principaux :</p> <ul style="list-style-type: none"> La pointe de l'électrode doit être orientée vers l'orifice de gaz du brûleur. La distance doit se situer entre 1/8 po et 1/4 po. Ajustez au besoin. <p>Brûleur latéral :</p> <ul style="list-style-type: none"> La pointe de l'électrode doit être orientée vers l'orifice de gaz du brûleur. La distance doit se situer entre 1/8 po et 3/16 po. Ajustez au besoin. <ul style="list-style-type: none"> Nettoyez les fils ou les électrodes au moyen d'alcool à friction et d'un chiffon propre. Rebranchez les fils ou remplacez les électrodes et les fils. Remplacez le câble d'allumage ou l'électrode. Remplacez par une nouvelle pile alcaline AA.

Dépannage (suite)

Problème	Cause possible	Prévention/Solution
Le dispositif d'allumage n'allume pas le brûleur.	<ul style="list-style-type: none"> Le sélecteur rotatif tourne sans générer de clics. Étincelles entre le dispositif d'allumage et l'électrode. 	<ul style="list-style-type: none"> Remplacez le bouton de réglage du gaz. Inspectez l'isolement du fil et tous les raccords. Remplacez les fils si l'isolement est cassé.
Le brûleur ne s'allume pas au moyen d'une allumette.	<ul style="list-style-type: none"> Consultez la section « PROBLEMES RELATIFS AU GAZ » à la page précédente. L'allumette est trop courte. Méthode incorrecte d'allumage avec une allumette. Le gaz est épuisé. 	<ul style="list-style-type: none"> Utilisez des allumettes à tige longue (allumettes conçues pour l'allumage de foyers). Reportez-vous à la section « Allumage avec une allumette » du manuel. Vérifiez que le réservoir de GPL contient bien du gaz.
Baisse subite du flux de gaz ou flamme faible.	<ul style="list-style-type: none"> La soupape de remplissage excessif a été déclenchée. Il existe un bouchon de vapeur au niveau de l'écrou de raccord du réservoir de GPL. 	<ul style="list-style-type: none"> Fermez le bouton de réglage, attendez 30 secondes et allumez la unité. Si les flammes sont toujours faibles, fermez le bouton et la valve du réservoir. Débranchez le régulateur. Rebranchez le régulateur et faites un essai d'étanchéité. Ouvrez la valve du réservoir, attendez 30 secondes, puis allumez la unité. Fermez le bouton de réglage, ainsi que la valve du réservoir. Débranchez l'écrou de raccord du réservoir. Rebranchez-le et essayez de nouveau.
Les flammes s'éteignent.	<ul style="list-style-type: none"> Niveau de gaz bas. La soupape de remplissage excessif a été déclenchée. 	<ul style="list-style-type: none"> Remplissez le réservoir de gaz. Reportez-vous à la section « Baisse subite de l'écoulement du gaz » ci-dessus.
Flambées soudaines.	<ul style="list-style-type: none"> Accumulation de graisse. Excès de gras dans la viande. Température de cuisson excessive. 	<ul style="list-style-type: none"> Nettoyez le brûleur et la partie intérieure du grill ou du foyer. Enlevez le gras de la viande avant la cuisson. Ajustez (abaissez) la température selon le cas.
Incendie de graisse persistant.	<ul style="list-style-type: none"> Graisse coincée par l'accumulation de nourriture autour du système du brûleur. 	<ul style="list-style-type: none"> Tournez le bouton en position d'arrêt (OFF). Fermez l'alimentation en gaz au niveau du réservoir de GPL. Laissez le feu d'éteindre. Lorsque la unité a refroidi, enlevez et nettoyez toutes les pièces.
Retour de flamme... (incendie dans le tube du brûleur).	<ul style="list-style-type: none"> Le brûleur ou le tube du brûleur sont bloqués. 	<ul style="list-style-type: none"> Tournez le bouton en position d'arrêt (OFF). Nettoyez le brûleur ou le tube de brûleur. Voir la section sur le nettoyage du brûleur du manuel d'utilisation et d'entretien.
Cuisson lente	<ul style="list-style-type: none"> Haute conditions de vent Serrure de vapeur Valve pas correctement alignés à brûleur 	<ul style="list-style-type: none"> Repositionner cuisinière à un domaine moins venteux Coupez et débranchez le bouton de couplage de noix de LP cylindre. Reconnecter et réessayez. Desserrez panneau de contrôle et de la valve. Assurez-vous soupape est centré haut en bas et de gauche à droite dans la lampe. Serrer toutes les composantes une fois bon alignement est atteint.

EMERGENCIAS: Si no se puede detener una fuga de gas, o si ocurre un incendio debido a una fuga de gas, llame a los bomberos.

Emergencias	Causas probables	Medidas de prevención / solución
Fugas de gas de mangueras agrietadas, cortadas o quemadas.	<ul style="list-style-type: none"> Manguera dañada. 	<ul style="list-style-type: none"> Cierre el gas en el cilindro o en la fuente de los sistemas de gas natural. Deje de utilizar el producto y vuelva a colocar la válvula / la manguera / el regulador. Una vez que la válvula / la manguera / regulador sustituyó conducta completa revisión de fugas según el manual.
Fuga de gas del cilindro.	<ul style="list-style-type: none"> Falla mecánica debido a la oxidación o al mal uso. 	<ul style="list-style-type: none"> Cambie el cilindro de gas.
Fuga de gas de la válvula del cilindro.	<ul style="list-style-type: none"> Falla de la válvula del cilindro debida al mal uso o a falla mecánica. 	<ul style="list-style-type: none"> Cierre la válvula del cilindro de gas. Devuelva el cilindro al proveedor de gas.
Fuga de gas entre el cilindro y la conexión del regulador.	<ul style="list-style-type: none"> Instalación inadecuada, la conexión no está bien apretada, falla de la junta de caucho. 	<ul style="list-style-type: none"> Cierre la válvula del cilindro de gas. Retire el regulador del tanque y examine visualmente la junta de caucho para detectar cualquier daño. Lea las secciones tituladas <i>Prueba para detectar fugas en un cilindro de gas</i> y <i>Cómo conectar el regulador al cilindro de gas</i>.
Sale fuego por el tablero de control.	<ul style="list-style-type: none"> Fuego en la sección del tubo del quemador debido a un bloqueo. 	<ul style="list-style-type: none"> Cierre las perillas de control y la válvula del cilindro de gas. Deje abierta la tapa para permitir que las llamas se extingan. Una vez que se haya extinguido el fuego y la parrilla esté fría, retire el quemador y examínelo para ver si tiene nidos de arañas o herrumbre. Lea las páginas relativas a Los peligros naturales y la limpieza de la unidad del quemador.
Hay continuamente fuego producido por la grasa o demasiadas llamas sobre la superficie de cocinar.	<ul style="list-style-type: none"> Demasiada grasa acumulada en la zona del quemador. 	<ul style="list-style-type: none"> Cierre las perillas de control y la válvula del cilindro de gas. Deje abierta la tapa para permitir que las llamas se extingan. Una vez que se haya enfriado, limpie las partículas de comida y la acumulación de grasa en la parte interior de la zona de la cámara de combustión, la bandeja para la grasa y toda otra superficie.

Resolución de problemas

Problema	Causas probables	Medidas de prevención / solución
<p>El quemador o los quemadores no se enciende(n) al usar el encendedor.</p> <p><i>Continúa en la página siguiente.</i></p>	<p>PROBLEMAS DE GAS:</p> <ul style="list-style-type: none"> Está tratando de encender el quemador equivocado. El quemador no está conectado a la válvula de control. Obstrucción en el quemador. No hay flujo de gas. Hay vapor atrapado en la tuerca de unión al tanque de gas. La tuerca de unión y la válvula del tanque de gas no están bien conectadas. <p>PROBLEMAS DE ELECTRICIDAD:</p> <ul style="list-style-type: none"> Electrodo agrietado o roto; salen "chispas de la grieta". La punta del electrodo no está en la posición correcta. El cable o el electrodo está cubierto con restos de comida. Los cables están flojos o desconectados. Los cables producen cortocircuitos (chispas) entre el encendedor y el electrodo. 	<ul style="list-style-type: none"> Lea las instrucciones en el tablero de control y en la sección titulada <i>Uso y mantenimiento</i>. Verifique que las válvulas estén ubicadas dentro de los tubos de los quemadores. Verifique que el tubo de los quemadores no esté obstruido con telarañas u otras materias. Lea la parte referente a la limpieza en la sección <i>Uso y mantenimiento</i>. Verifique que el tanque no esté vacío. Si el tanque de gas no está vacío, lea la sección referente a la Caída repentina del flujo de gas. Cierre las perillas y desconecte la tuerca de unión del tanque. Vuelva a conectarla y trate de nuevo. Gire la tuerca de unión entre media vuelta y tres cuartos de vuelta adicionales, hasta que no la pueda girar más. Apriétela a mano únicamente, no use herramientas. Cambie el (los) electrodo(s). <p>Quemadores principales:</p> <ul style="list-style-type: none"> La punta del electrodo debe estar orientada hacia el orificio de combustión del puerto del quemador. La distancia debe ser de 1/8" a 1/4" (3,17 mm a 6,35 mm). Ajustela si es necesario. <p>Quemador lateral (si lo tiene):</p> <ul style="list-style-type: none"> La punta del electrodo debe estar orientada hacia el orificio de combustión del quemador. La distancia debe ser de 1/8" a 3/16" (3,17 mm a 4,76 mm) Ajustela si es necesario. Limpie el cable y el electrodo con alcohol de frotar y un hisopo limpio. <ul style="list-style-type: none"> Vuelva a conectar los cables o cambie la unidad de electrodo/cable. Cambie la unidad del cable del encendedor / el electrodo.

Resolución de problemas (continuación)

Problema	Causas probables	Medidas de prevención / solución
El quemador no se enciende al usar el encendedor.	<ul style="list-style-type: none"> • La perilla giratoria gira sin hacer clic. • Hay chispas entre el encendedor y el electrodo. 	<ul style="list-style-type: none"> • Vuelva a colocar la perilla. • Examine el aislamiento de los cables y verifique que las conexiones estén bien hechas. Cambie el cable si tiene roto el aislamiento.
El quemador no se enciende al usar fósforos.	<ul style="list-style-type: none"> • Lea “PROBLEMAS DE GAS:” en la página anterior. • El fósforo no llega al punto de encendido. • Método inadecuado de encendido con fósforos. 	<ul style="list-style-type: none"> • Use un fósforo de palito largo (fósforo para encender chimeneas). • Lea la parte titulada Encendido con fósforos de la sección Uso y mantenimiento.
Caída repentina del flujo de gas o llama reducida.	<ul style="list-style-type: none"> • Se acabó el gas. • Se activó la válvula del regulador por sobrecarga de gas. • Hay vapor atrapado en la conexión de la tuerca de unión y el tanque de gas. 	<ul style="list-style-type: none"> • Verifique que el tanque de gas esté cargado. • Cierre la perilla de control, espere 30 segundos y encienda la freidora. Si las llamas siguen siendo bajas, cierre la perilla y la válvula del tanque de gas. Desconecte el regulador. Vuelva a conectar el regulador y haga una prueba para detectar fugas. Abra la válvula del tanque de gas, espere 30 segundos y, luego, encienda la freidora. • CIERRE la perilla y la válvula del tanque de gas. Desconecte la tuerca de unión del tanque. Vuelva a conectarla y trate de nuevo.
Llamas que se apagan.	<ul style="list-style-type: none"> • Bajo flujo de gas propano. • Se activó la válvula por sobrecarga de gas. 	<ul style="list-style-type: none"> • Recargue el tanque de gas. • Lea lo referente a la Caída repentina del flujo de gas en la sección anterior.
Fogonazos.	<ul style="list-style-type: none"> • Acumulación de grasa. • Carne sumamente grasosa. • Temperatura de cocción demasiado elevada. 	<ul style="list-style-type: none"> • Limpie el quemador y el interior de la freidora. • Desgrase la carne antes de cocinarla en la freidora. • Ajuste (baje) la temperatura según corresponda.
Fuegos persistentes, producidos por la grasa.	<ul style="list-style-type: none"> • Grasa atrapada por acumulación de restos de comida alrededor del sistema del quemador. 	<ul style="list-style-type: none"> • Gire la perilla a la posición de APAGADO (OFF). Cierre el paso de gas desde el tanque. Deje que el fuego se extinga. Después de que se enfríe la freidora, retire y limpie todas las piezas.
Retorno de las llamas... (fuego en el quemador).	<ul style="list-style-type: none"> • El quemador está bloqueado. 	<ul style="list-style-type: none"> • Gire la perilla a la posición de APAGADO (OFF). Limpie el quemador. Lea la sección de limpieza del quemador del Manual de Uso y mantenimiento.
Cocina más lentamente que lo esperado	<ul style="list-style-type: none"> • Hay demasiado viento • Sello de vapor • La válvula no está bien alineada con el quemador 	<ul style="list-style-type: none"> • Cambie la ubicación de la freidora a un lugar con menos viento. • Cierre la perilla de control y desconecte la tuerca de unión del tanque. Vuelva a conectarla y trate de nuevo. • Afloje el tablero de control y la válvula. Verifique que la válvula esté centrada vertical y horizontalmente en el quemador. Una vez que esté correctamente alineada, ajuste todas las piezas.

Three convenient ways to register your product: Trois façons pratiques d'enregistrer votre produit: Tres formas convenientes de registrar su producto:

- 1 Online
En ligne
En línea

www.charbroil.com/register

- 2 Scan QR Code
En scannant le code QR
Escaneando el código QR



- 3 By mail | Par la poste | Por correo

PLEASE FILL OUT THIS CARD AND ATTACH A COPY OF YOUR SALES RECEIPT. RETURN IT WITHIN 10 DAYS OF PURCHASE. FOR WARRANTY SERVICE PROOF OF PURCHASE WILL BE REQUIRED. THIS WARRANTY IS NON-TRANSFERABLE.

LLENE ESTA TARJETA Y DEVUELVALA DENTRO DE LOS 10 DIAS DE LA COMPRA. PARA EL SERVICIO DE GARANTIA ES NECESARIO QUE PRESENTE SU COMPROBANTE DE COMPRA. CONSERVE LA FACTURA. ESTA GARANTIA ES INTRANSFERIBLE.

VEUILLEZ COMPLETER CETTE CARTE ET LA RETOURNER DANS LES 10 JOURS SUIVANT L'ACHAT. POUR OBTENIR LE SERVICE SOUS GARANTIE, UNE PREUVE D'ACHAT DOIT ETRE PRESENTEE. VEUILLEZ CONSERVER VOTRE FACTURE. LA PRESENTE GARANTIE N'EST PAS TRANSFERABLE.

*Required | Necesario | Exigé

~ PLEASE PRINT ~ IMPRIMA POR FAVOR ~ S'IL VOUS PLAÎT IMPRIMER ~

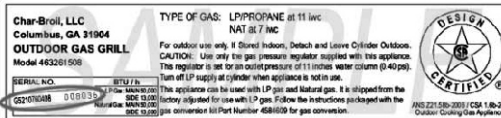
* 1. First Name | Nombre | Prénom _____ Initial | Inicial | Initiale _____ Last Name | Apellido | Nom de Famillie _____

Address (number & street) | Dirección (número y calle) | Adresse (numéro et rue) _____ Apt Number | Nº de apart | Nº d'appt. _____

City | Ciudad | Ville _____ State | Estado | Province _____ Zip Code | Código Zip | Code Postal _____

* 2. E-mail Address | Dirección de correo electrónico | Adresse électronique _____ * 3. Phone Number | Número telefónico | Numéro de téléphone _____

* 4. Model Number | Número de modelo | Numéro de modèle _____



STICKER ON PRODUCT

- * 5. Attach copy of your sales receipt here.

Adjunte aqui la copia de su recibo de compra

Veillez attacher une copie de votre reçu ici.

Serial Number | Número de serie | Numéro de série _____

6. Date of Purchase | Fecha de compra | Date de l'achat _____

\$

8. Purchase Price | Precio de compra | Prix d'achat _____

7. Store Name | Nombre de la tienda | Nom du magasin _____

9. Your Gender | Sexo | Sexe:

- Male | Masculino | Masculin
 Female | Femenino | Féminin

10. Which product are you registering?

¿Qué producto está registrando?

Quel produit enregistrez-vous?

1. Gas Grill | Parrilla a gas | Gril au gaz
2. Electric Grill | Parrilla eléctrica | Gril électrique
3. Smoker | Ahumador | Fumoir
4. Charcoal Grill | Parrilla a carbón | Barbecue au charbon
5. Cooker/Fryer | Cocina/freidora | Cuiseur/Friteuse
6. Other | Otro | Autre

Mail to: / Enviar a: / Envoyer à :

**Char-Broil Warranty Registration
P.O. Box 1240
Columbus, GA 31902-1240**

We respect your privacy. | Respetamos su privacidad. | Nous respectons votre vie privée.

- If you prefer not to receive special offers and promotions from Char-Broil, please check here:
- Marque aquí si no desea recibir ofertas y promociones especiales de Char-Broil:
- Si vous préférez ne pas recevoir d'informations concernant des offres spéciales et des promotions de Charbroil, veuillez cocher ici:

Thank you for completing this questionnaire. | Gracias por completar este cuestionario. | Merci d'avoir bien voulu remplir ce questionnaire.

THANK YOU
FOR YOUR RECENT
PURCHASE FROM
CHAR-BROIL®

**CHECK OUT THESE
GREAT FEATURES
ON OUR WEBSITE**

- Valuable product information
- Inspiring grilling accessories
- Reliable customer support
- Delicious recipes and tips from chefs
- Exciting events and promotions
- And much more!

MERCI
DE VOTRE RÉCENT
ACHAT D'UN PRODUIT
DE CHAR-BROIL

**VISITEZ NOTRE SITE
WEB POUR PROFITER
DES FABULEUX
AVANTAGES SUIVANTS**

- Les informations valables de produit
- Inspirer griller les accessoires
- Le soutien clientèle fiable
- Les recettes délicieuses et se reverse des chefs de cuisine
- Événements passionnants et promotions
- Et beaucoup plus!

GRACIAS
POR SU RECIENTE
COMPRA EN
CHAR-BROIL

**VISITE NUESTRO SITIO
WEB PARA VER
INTERESANTE
INFORMACIÓN**

- Información valiosa de producto
- Accesorios Que inspiran la parrilla
- Confable servicio de atención al cliente
- Acontecimientos y promociones emocionantes
- Deliciosos recipes y consejos de los mejores cocineros
- ¡Y mucho más!



**REGISTER YOUR
PRODUCT TO
RECEIVE A
SPECIAL OFFER**
CHARBROIL.COM/REGISTER

**ENREGISTREZ
VOTRE PRODUIT
RECEVOIR UNE
OFFRE SPECIAL**
CHARBROIL.COM/REGISTER

**REGISTRE SU
PRODUCTO PARA
RECIBIR UNA
OFERTA ESPECIAL**
CHARBROIL.COM/REGISTER