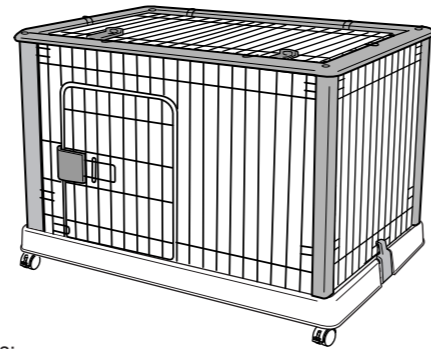


## Instruction Manual

Thank you for choosing Richell's Mobile Pen. Please read this instruction manual carefully before assembling or using this product, and keep for future reference.

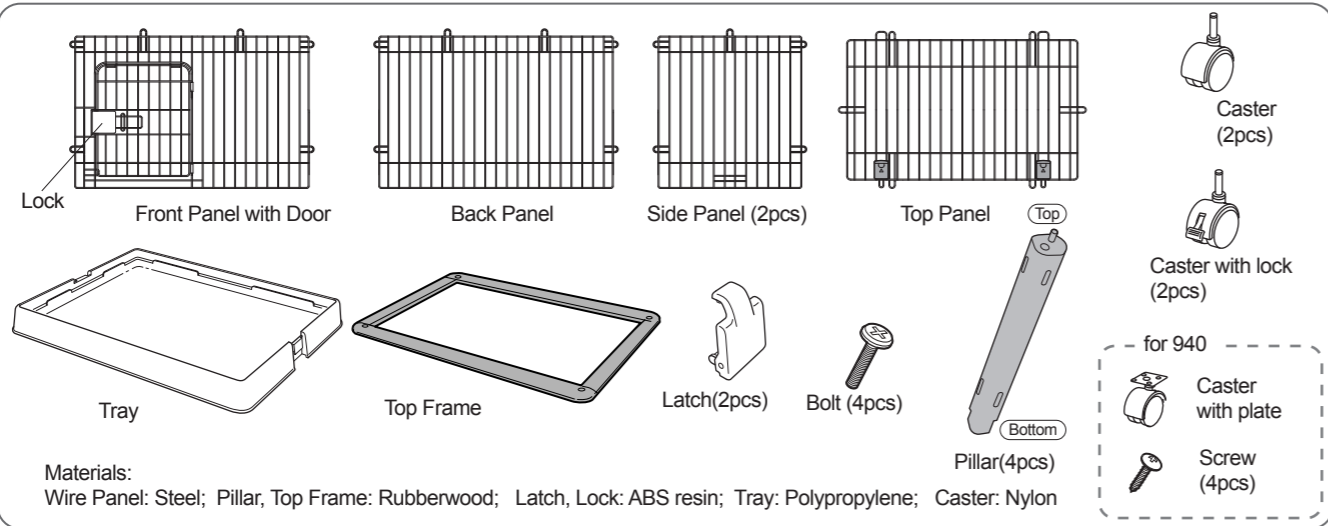
### Features

- Model 640 is designed for 8-18lbs dogs
- Model 940 is designed for 8-44lbs dogs
- Beautiful wood finish for an elegant look
- Wood and metal frame construction provides reinforced support
- Wire door with slide lock provides extra security
- Washable plastic tray protects floor from soiling or scratches
- Casters with locks for ease of movement and safety
- Removable wire top



Dimensions:  
 640: 25.2"W x 18.1D x 22.4H\* (64cmW x 46D x 57H)  
 940: 36.8"W x 24.2D x 26H\* (93.5cmW x 61.5D x 66H)  
 \*Shorter by 2" without casters

### Parts / Specifications



Materials:  
 Wire Panel: Steel; Pillar, Top Frame: Rubberwood; Latch, Lock: ABS resin; Tray: Polypropylene; Caster: Nylon

### Cautions!

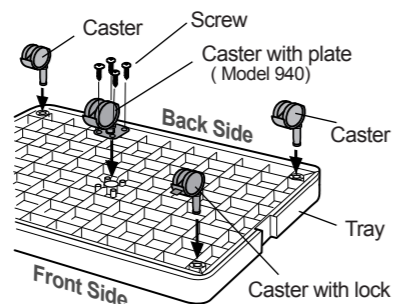
- This product is designed for use with pets only.
- Do not use this product for anything other than its intended purpose.
- Keep the product away from fire or extremely high temperatures.
- The product is designed for indoor use only. Do not use it outside.
- Do not stand or sit on the product, as it may cause injury/damage to person or product.
- Take care not to pinch your hands or fingers when opening/closing the door.
- Place the product on a flat, solid surface.
- Do not move the product with pets inside.
- Make sure that Side Panels are latched securely and grasp both Side Panels or Tray when moving the product.
- Do not place anything on Top Panel.
- Use mild detergent to clean. Do not use harsh chemicals such as benzine or thinner.

### How to assemble

#### 1. Casters

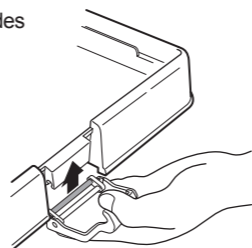
Insert Casters into corner holes on bottom of Tray as shown.

**Note:**  
 Attach Casters with locks in the front of unit.  
 Fasten the Caster with plate in the center of unit with screws using Phillips screwdriver.



#### 2. Latches

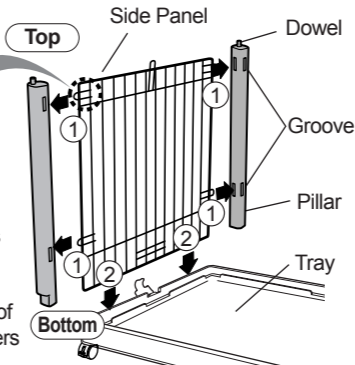
Attach Latches to both sides of Tray, inserting from the bottom as shown.



#### 3. Side Panels and Pillar(1)

**Note:**  
 This piece should face inward.

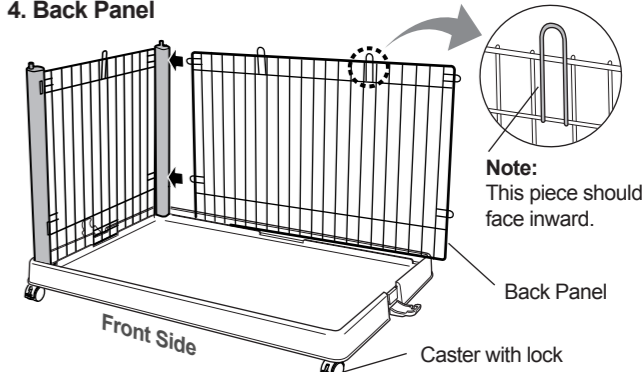
- Insert Side Panel into the grooves of Pillars as shown.
- Insert Side Panel into the groove of Tray aligning Pillars with the corners of Tray as shown.



#### 4. Back Panel

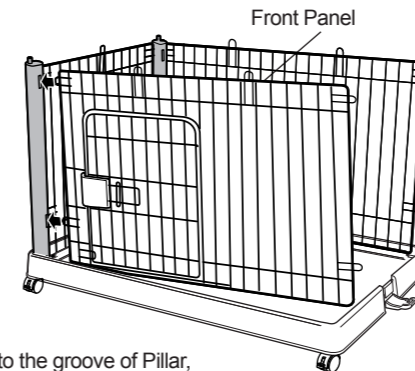
**Note:**  
 This piece should face inward.

Insert Back Panel into the groove of Pillar, along with the groove of Tray as shown.



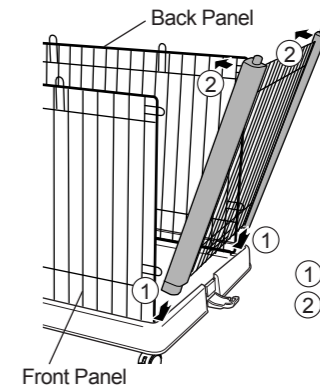
#### 5. Front Panel

Insert Front Panel into the groove of Pillar, along with the groove of Tray as shown.



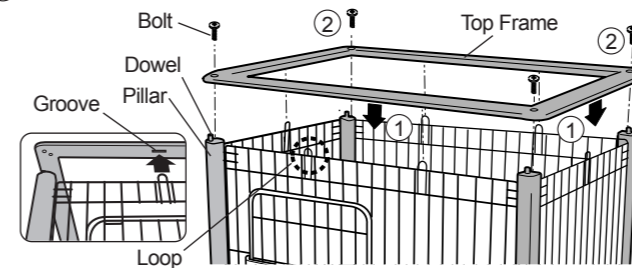
#### 6. Side Panels and Pillar(2)

- Repeat Step 3.
- Insert Side Front/Back Panels into the grooves of Pillars as shown.



#### 7. Top Frame

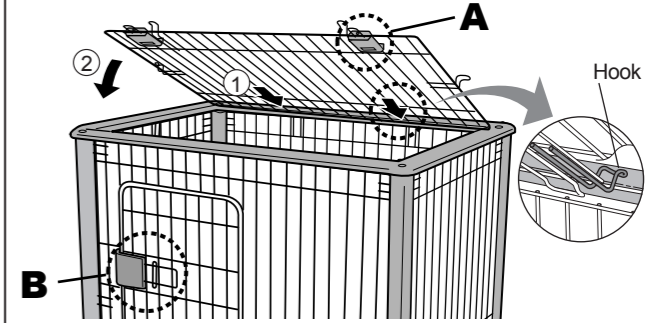
- Align dowels of Pillars with the bottom corner holes of Top Panel as shown.
- Fasten Top Panel with four bolts using Phillips screwdriver.



**Note:** Insert the upper loops of wire panels into the grooves of Top Panel.

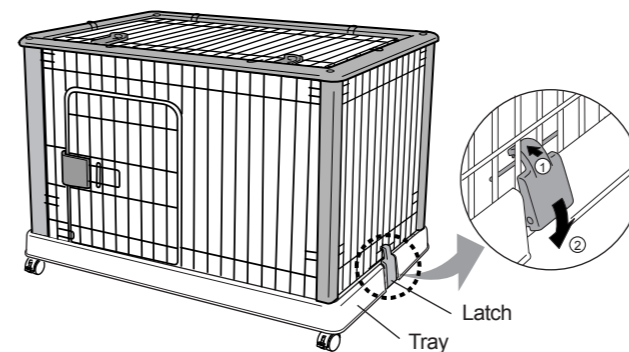
#### 8. Top Panel

- Place the rear hooks of Top Panel on Top Frame as shown.
- Lower the front of Top Panel to Top Frame and lock as shown.



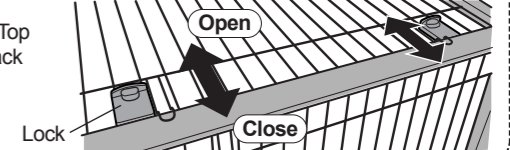
#### 9. Lock

Lock Side Panels with latches on both sides as shown.



#### A. How to open Top Panel

Slide Locks of Top Panel to the back as shown.



#### B. How to open Front Door

Slide Lock of Front Door to the right as shown.

