

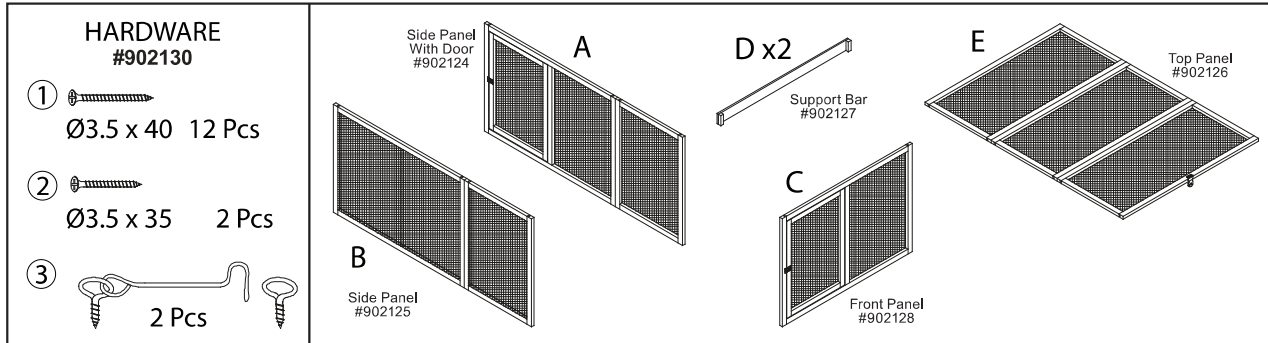


Chick-N-Yard

Assembly Instructions

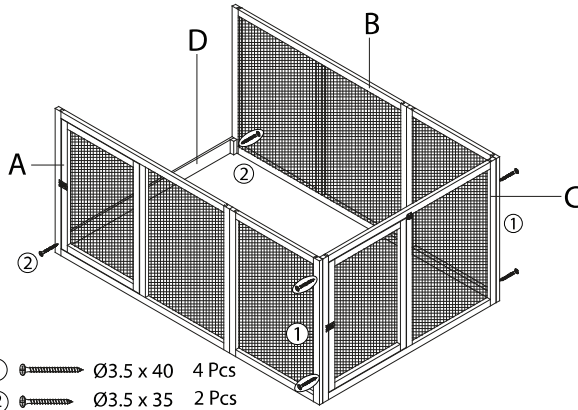
Item #14076

#30014076



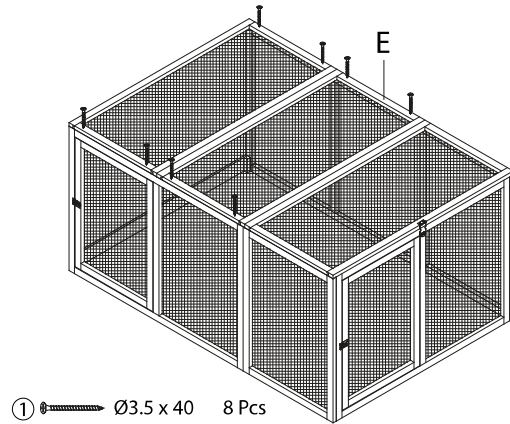
Step 1

Attach Side Panel With Door (A) and Side Panel (B) to Front Panel (C) four 3.5 x 40 screws (1). Attach Support Bar (D) to Side Panel With Door (A) and Side Panel (B) using two 3.5 x 35 screws (2).



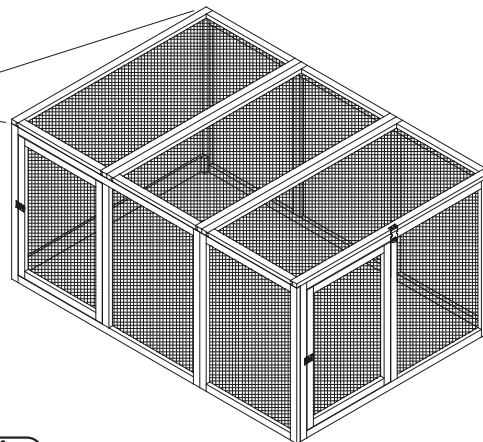
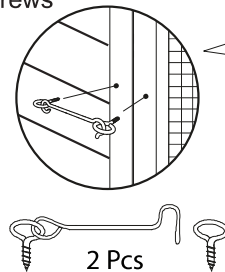
Step 2

Attach Top Panel (E) using eight 3.5 x 40 screws (1).



Step 3

Attach eye screws with latch hooks (3) to compatible hutch, attach remaining eye screws to Chick-N-Yard Assembly.



Care Tip

To protect the wood on your pen you need to re-apply the protective stain finish at least 1x each year. Use a safe and non-toxic water based stain (available at your local paint or hardware center). Keep pen in a safe area away from high winds and extreme temperatures.

If you have any questions or concerns about this product contact our customer service department at 1-800-295-2243 Mon-Fri 8:00 – 4:00 MST or email us at cs@waremfginc.com