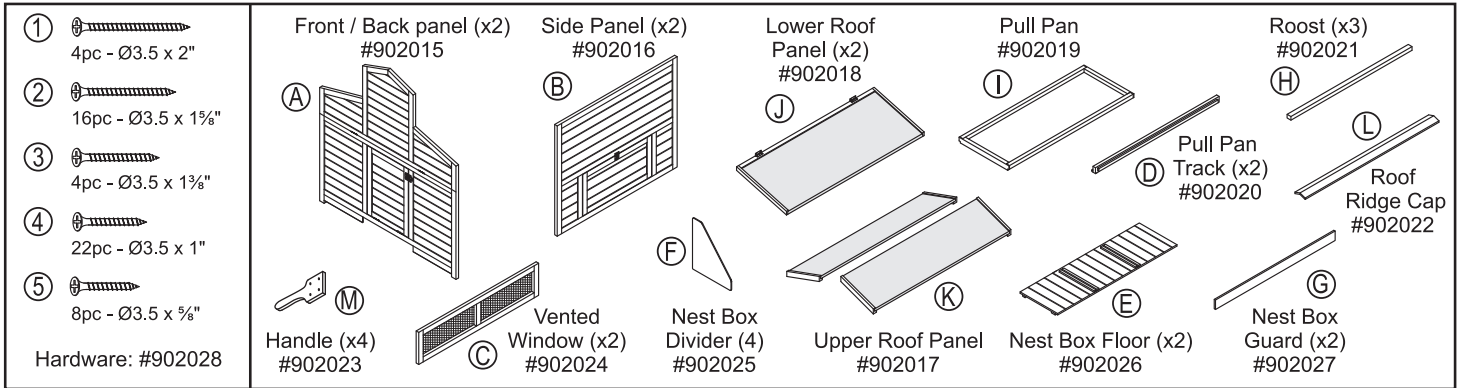


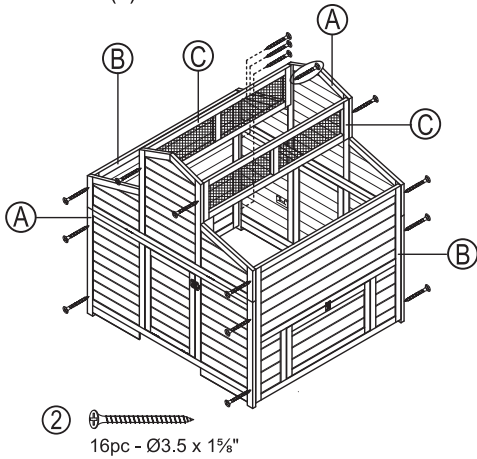
Item #14075

#30014075



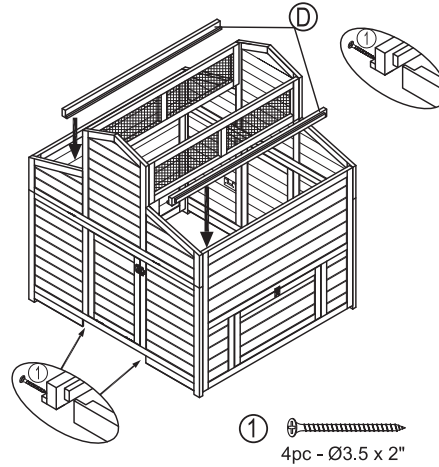
#### Step 1

Connect the Front Panel (A), Back Panel (A), Side Panels (B), and Vented Windows (C) using 16 – 1½" Screws (2).



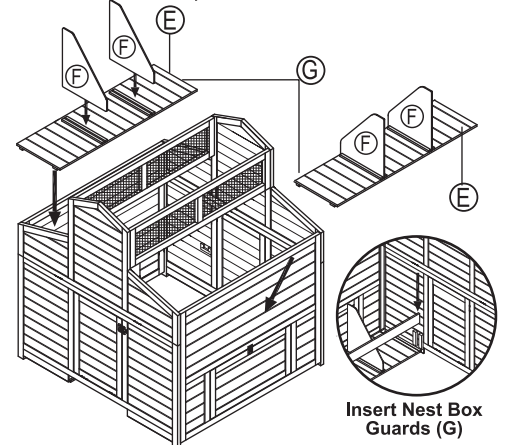
#### Step 2

Attach the two Pull Pan Tracks (D) to the hutch using 4 – 2" Screws (1).



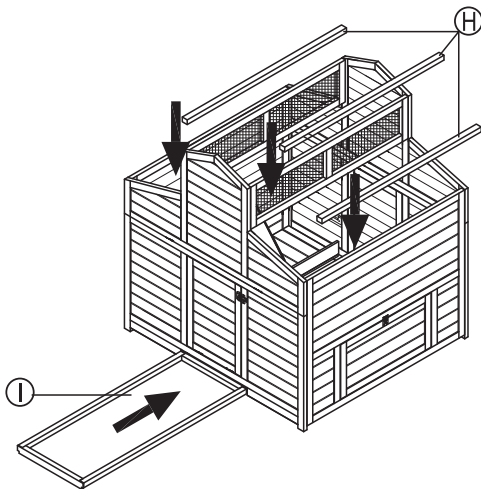
#### Step 3

Insert the Nest Box Dividers (F) into the slots on the Nest Box Floor (E). Lower the assembled Nest Box Floors into the hutch. Insert the Nest Box Guards (G) into the wooden slots as pictured below.



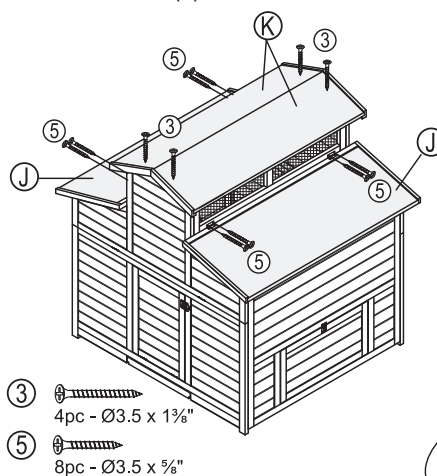
#### Step 4

Lower the 3 Roosts (H) into the hutch assembly. Slide Pull Pan (I) into bottom of hutch.



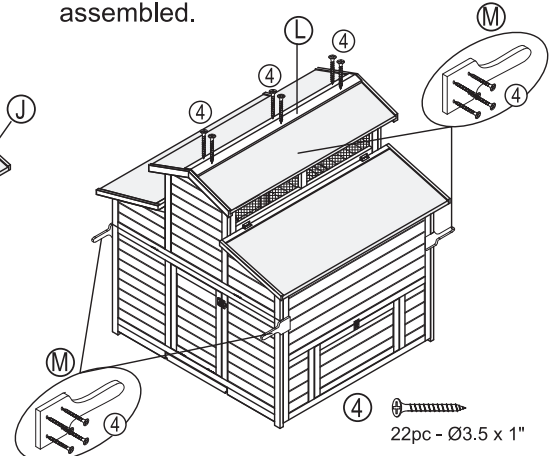
#### Step 5

Attach the Lower Roof Panels (J) using 8 – ⅝" Screws (5). Attach the Upper Roof Panels (K) using 4 – 1⅜" Screws (3).



#### Step 6

Attach Gable Ridge Cap (L) to the Upper Roof Panels (K) using 4 – 1" screws (4). Attach the Handles (M) to the hutch using 4 – 1" screws (4). Your hutch is now fully assembled.



#### Care Tip

To protect the wood on your hutch you need to re-apply the protective stain finish at least 1x each year. Use a safe and non-toxic water based stain (available at your local paint or hardware center). Keep hutch in a safe area away from high winds and extreme temperatures.

If you have any questions or concerns about this product, contact our customer service department at 1-800-295-2243 and we will help you with any problems, Mon-Fri 8:00 – 4:00 MST, or email [cs@waremfinc.com](mailto:cs@waremfinc.com)