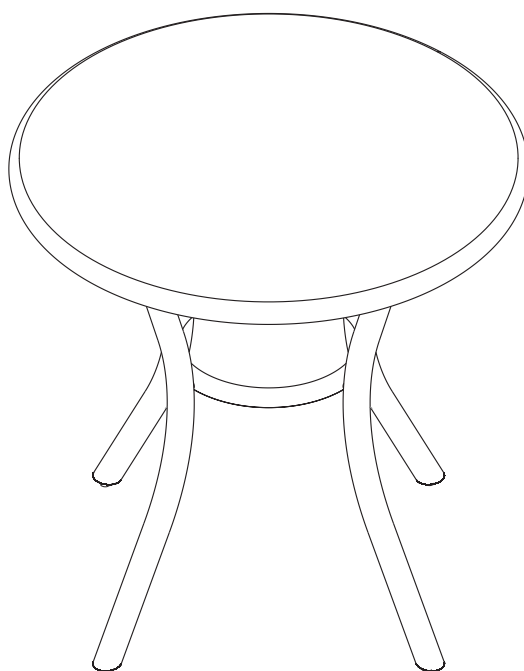
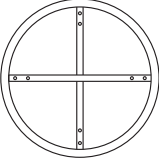
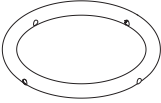





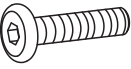
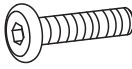


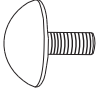
Palm Harbor Outdoor Wicker  
Round Side Table  
CO7217



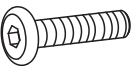
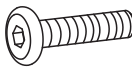

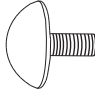
## PART LIST

		
<p>Wicker Top 1PC</p>	<p>Ring 1PC</p>	<p>Leg 4PCS</p>

## HARDWARE LIST

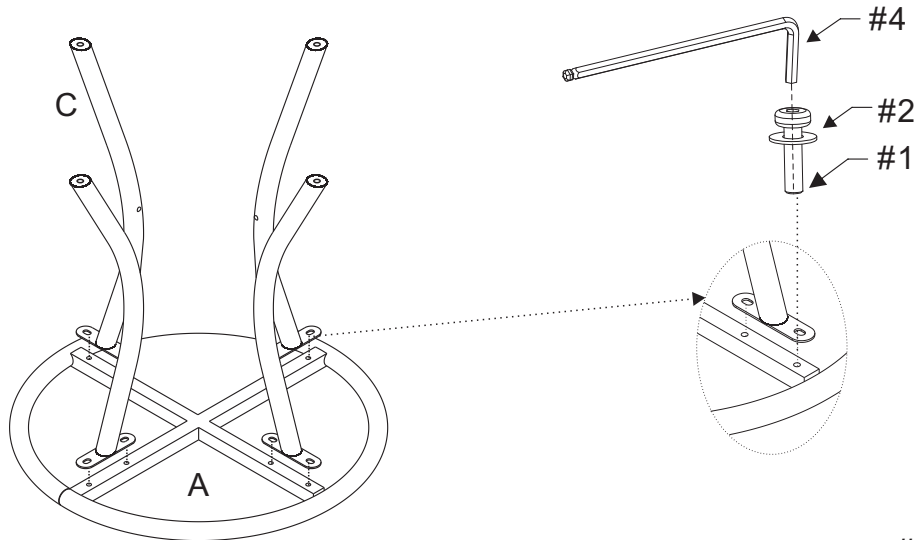
				
<p>M6*20mm Short Bolt 8PCS</p>	<p>M6*45mm Long Bolt 4PCS</p>	<p>M6mm Washer 12PCS</p>	<p>M6mm Allen Key 1PC</p>	<p>Adjustable Leveler 4PCS</p>

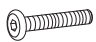


## EXTRA HARDWARE LIST

			
<p>M6*20mm Short Bolt 2PCS</p>	<p>M6*45mm Long Bolt 1PC</p>	<p>M6mm Washer 3PCS</p>	<p>Adjustable Leveler 1PC</p>

Step 1. Lay wicker top (part #A) on a flat surface with underside facing up. Attach legs (part #C) to wicker top (part #A) using short bolts (part #1), washers (part #3) and allen key (part #4).

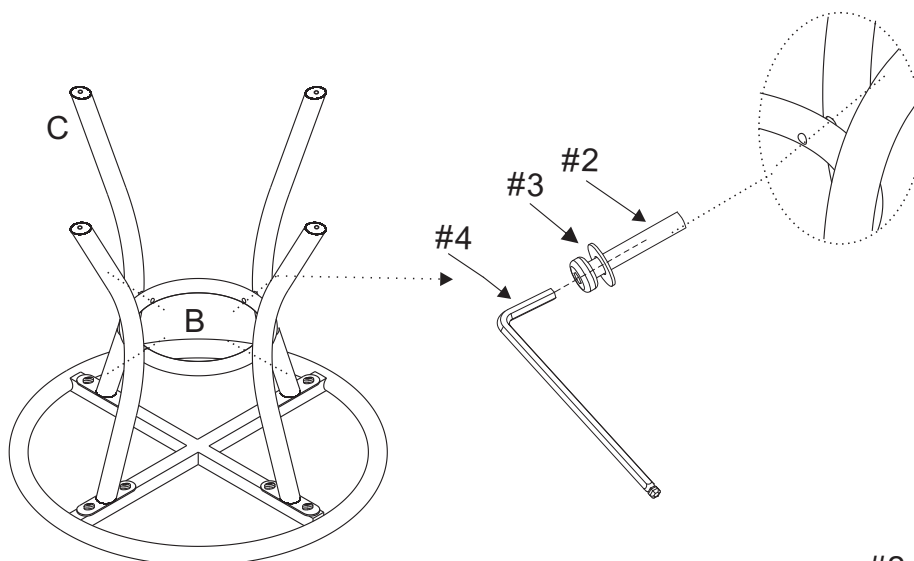
NOTE: Please do not fully tighten bolts until unit is fully assembled.






- |    |   |    |
|----|---|----|
| #1 |    | x8 |
| #3 |   | x8 |
| #4 |  | x1 |

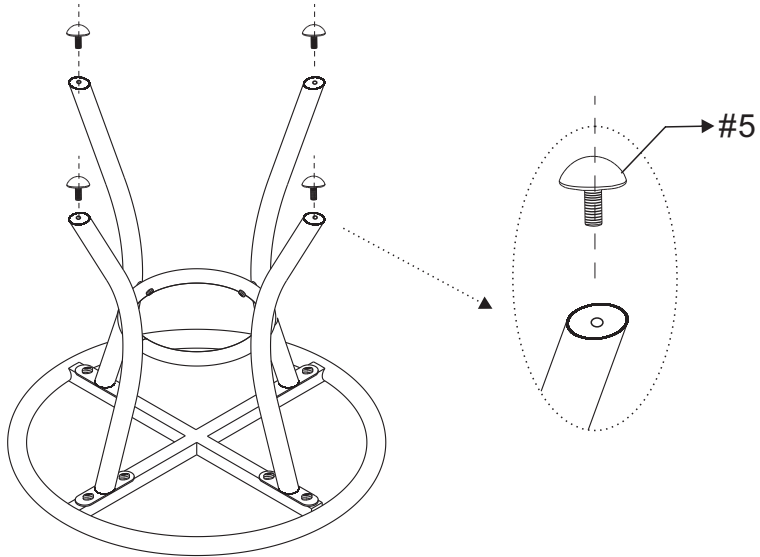
Step 2. Attach ring (part #B) to legs (part #C) using long bolts (part #2), washers (part #3) and allen key (part #4).

NOTE: Please fully tighten all bolts at this time.



- |    |   |    |
|----|---|----|
| #2 |  | x4 |
| #3 |  | x4 |
| #4 |  | x1 |

Step 3. Screw the adjustable levelers (part #5) into the bottom of the table legs.  
Adjust as needed to desired position.



#5  x4

Step 4. Carefully turn the table upright.

