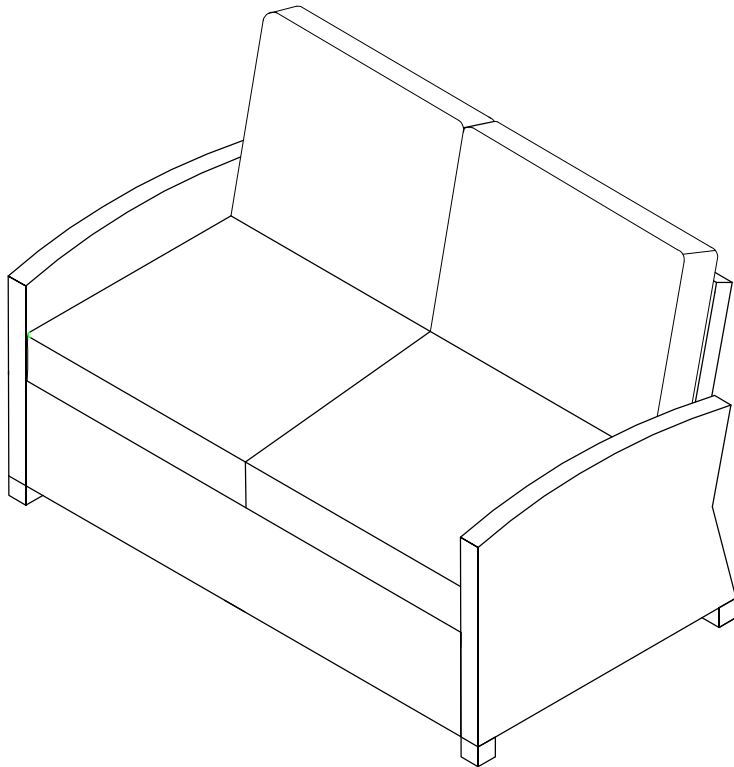


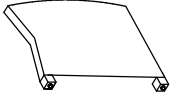
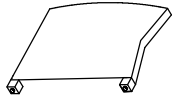








Biltmore Outdoor Wicker Loveseat

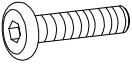
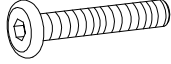
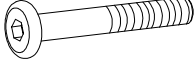
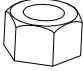

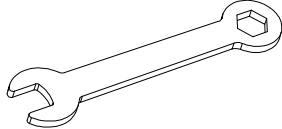

CO7115-WB



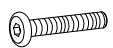
## PART LIST

 Left Arm Panel		 Right Arm Panel		 Back Panel	
A	1PC	B	1PC	C	1PC
 Seat Panel		 Cover Of Seat Cushion		 Inner Of Seat Cushion	
D	1PC	E	2PCS	F	2PCS
 Cover Of Back Cushion		 Inner Of Back Cushion			
G	2PCS	H	2PCS		

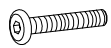
## HARDWARE LIST

 Short Bolt(M6*40mm)		 Medium Bolt(M6*55mm)		 Long Bolt(M6*65mm)	
I	2PCS	J	4PCS	K	7PCS
 Nut(M6mm)		 Washer(M6mm)		 Wrench(M6mm)	
L	7PCS	M	20PCS	N	1PC
 Allen Key(M6mm)					
O	1PC				

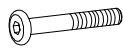
## EXTRA HARDWARE LIST



I X1PC



J X1PC



K X2PCS

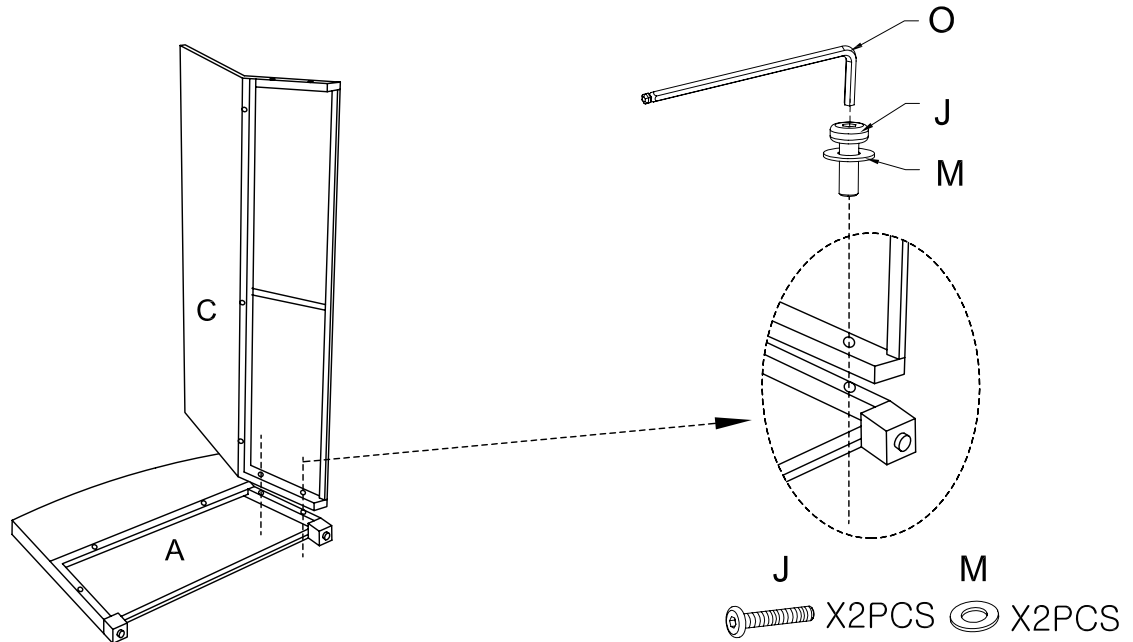


L X2PCS

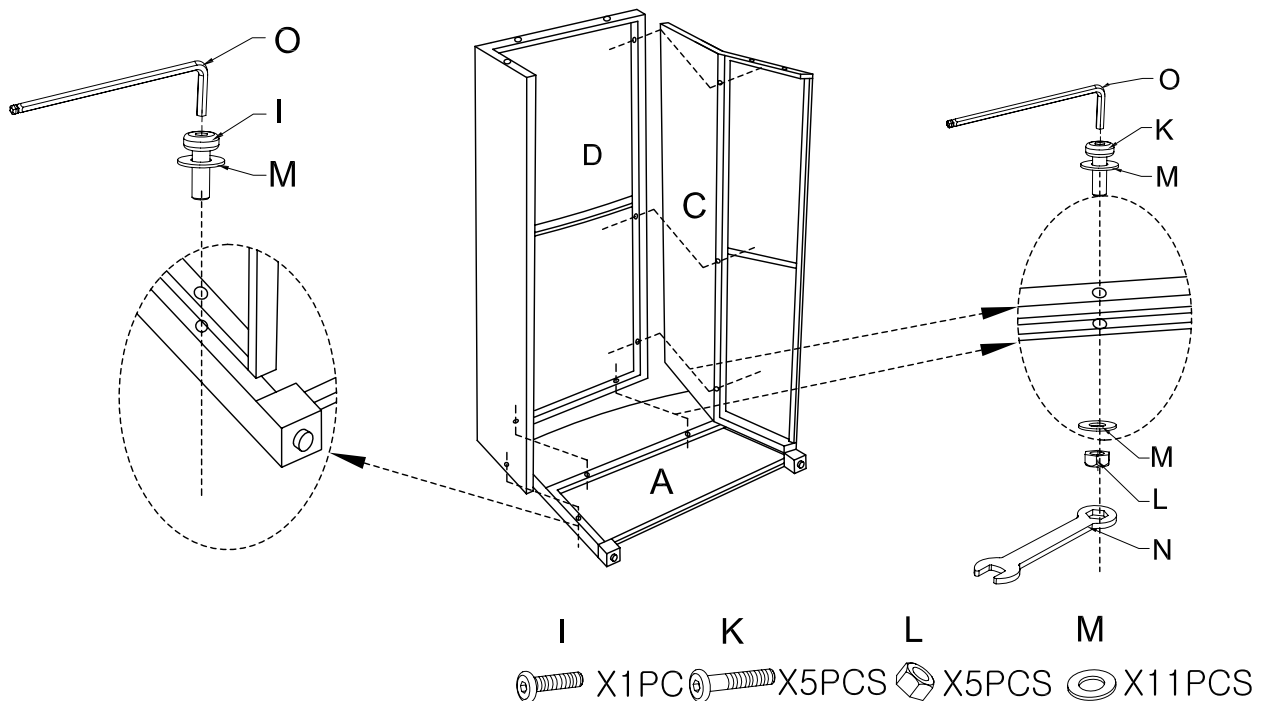


MX3PCS

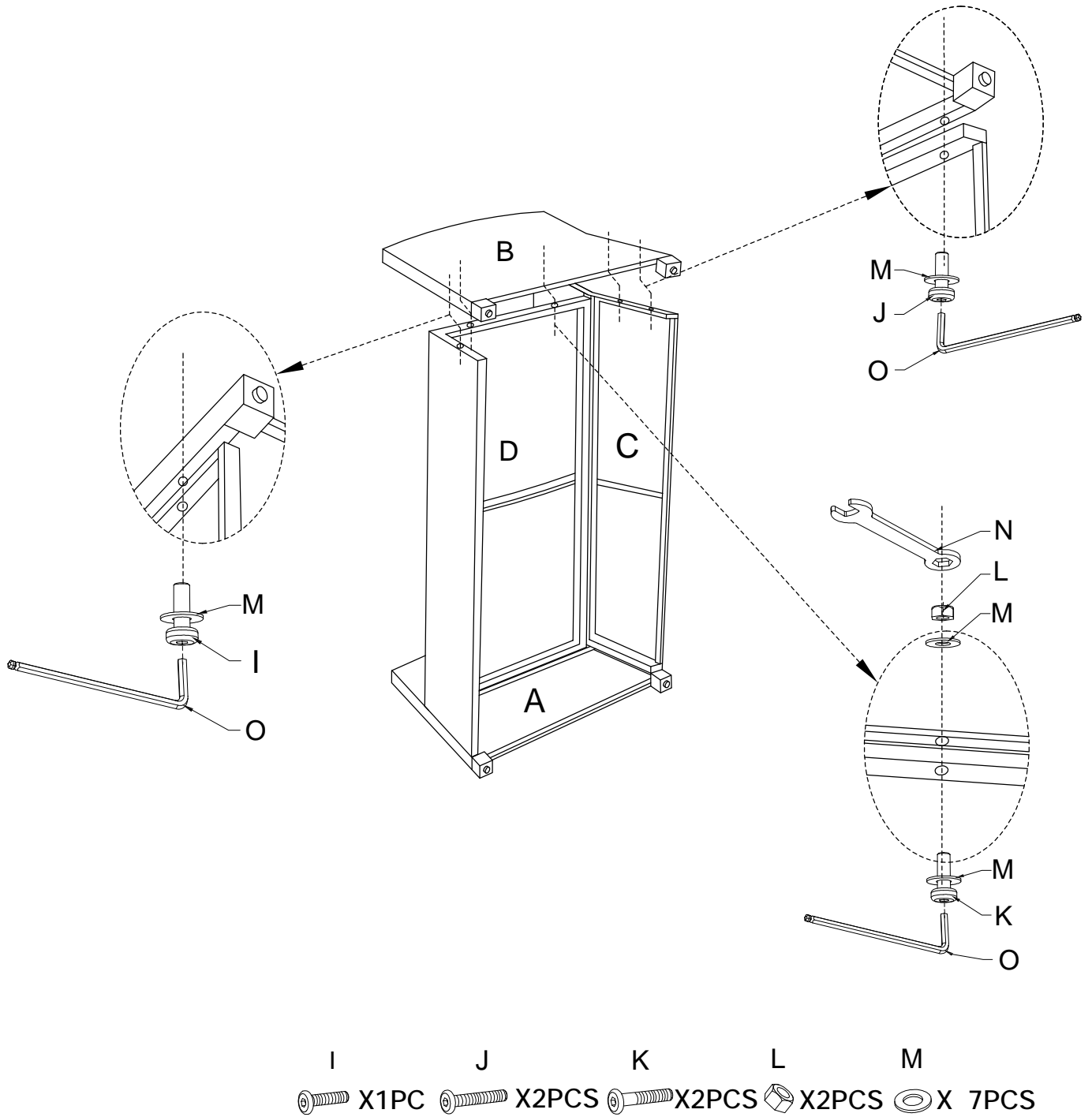
**Step 1.** Lay Left Arm Panel (A) down on a flat surface. Attach Back Panel(C) to Left Arm Panel(A) using the Medium Bolts(J), Washers(M) & Allen Key (O).  
 NOTE: Please do not fully tighten bolts until unit is fully assembled.



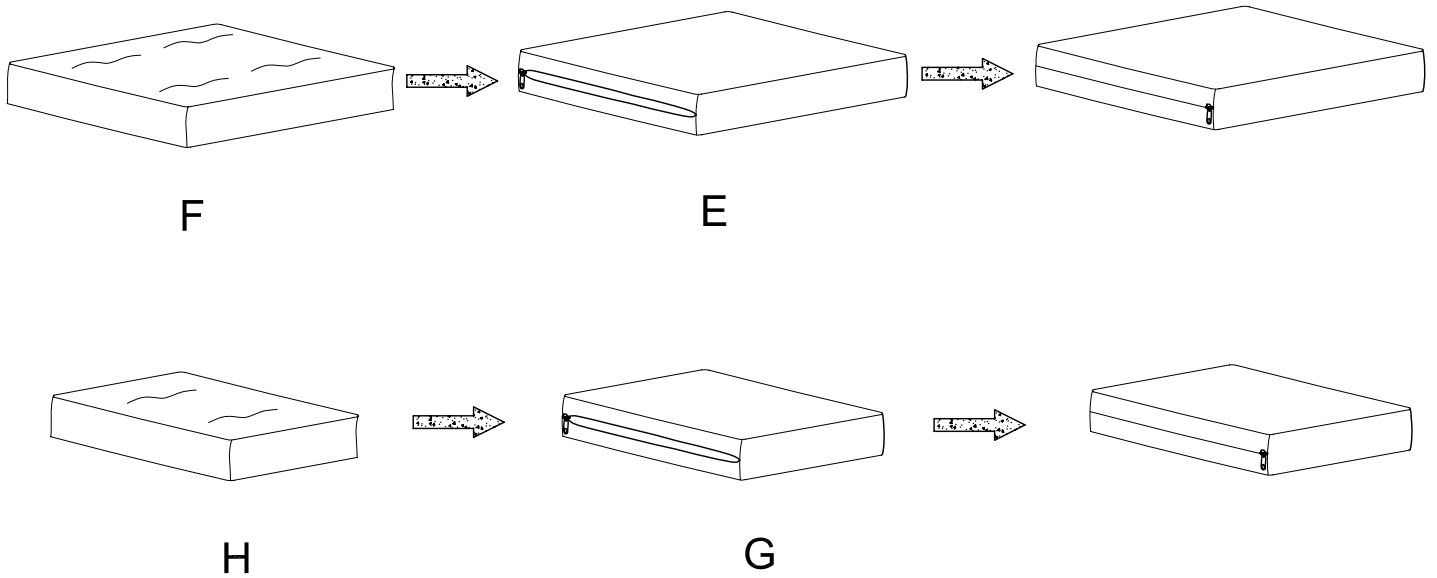
**Step 2.** Attach Seat Panel(D) to Left Arm Panel(A) and Back Panel (C) using the Short Bolts(I), Long Bolts( K), Washers(M), Nuts(L), Wrench (N) & Allen Key (O).



**Step 3.** Attach Right Arm Panel(B) to assembled parts(A,C&D) using Short Bolts (I),Medium Bolts (J),Long Bolts ( K ),Washers ( M ), Nuts ( L ),Wrench ( N ) and Allen Key ( O ) .



**Step 4.** Insert Inner Of Seat Cushion (F) into Cover Of Seat Cushion (E).  
Insert Inner Of Back Cushion (H) into Cover Of Back Cushion (G).



**Step 5.** Place Seat Cushion and Back Cushion on the loveseat.

