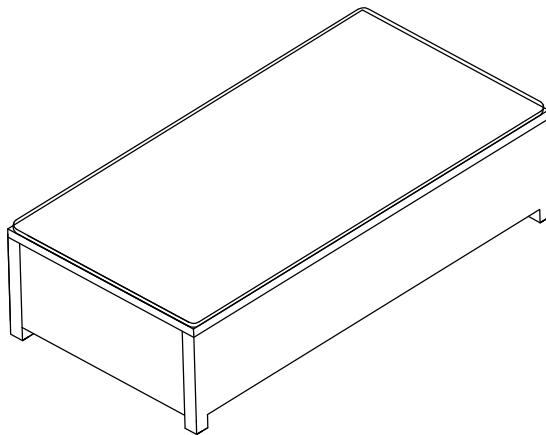


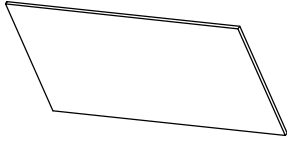
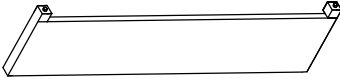
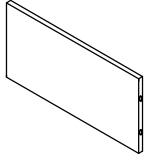



Biltmore Outdoor Wicker Glass Top Table

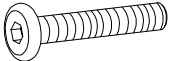
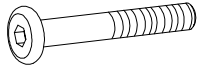
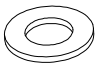

CO7208-WB



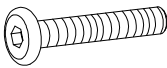
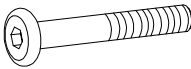
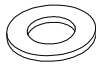
PART LIST

 <p>Wicker Top</p>		 <p>Side Panel</p>	
A	1PC	B	2PCS
 <p>End Panel</p>		 <p>Glass Top</p>	
C	2PCS	D	1PC

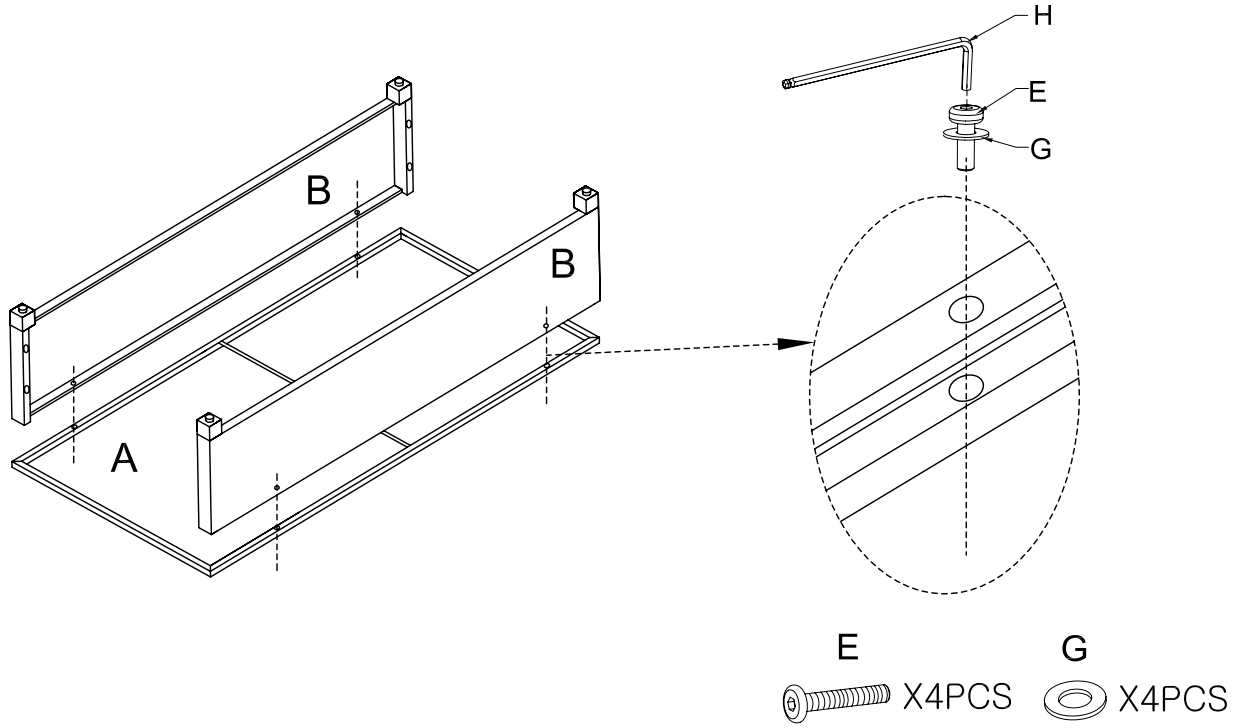
HARDWARE LIST

 <p>Short Bolt(M6*40mm)</p>		 <p>Long Bolt(M6*50mm)</p>	
E	4PCS	F	4PCS
 <p>Washer(M6mm)</p>		 <p>Allen Key(M6mm)</p>	
G	8PCS	H	12PCS

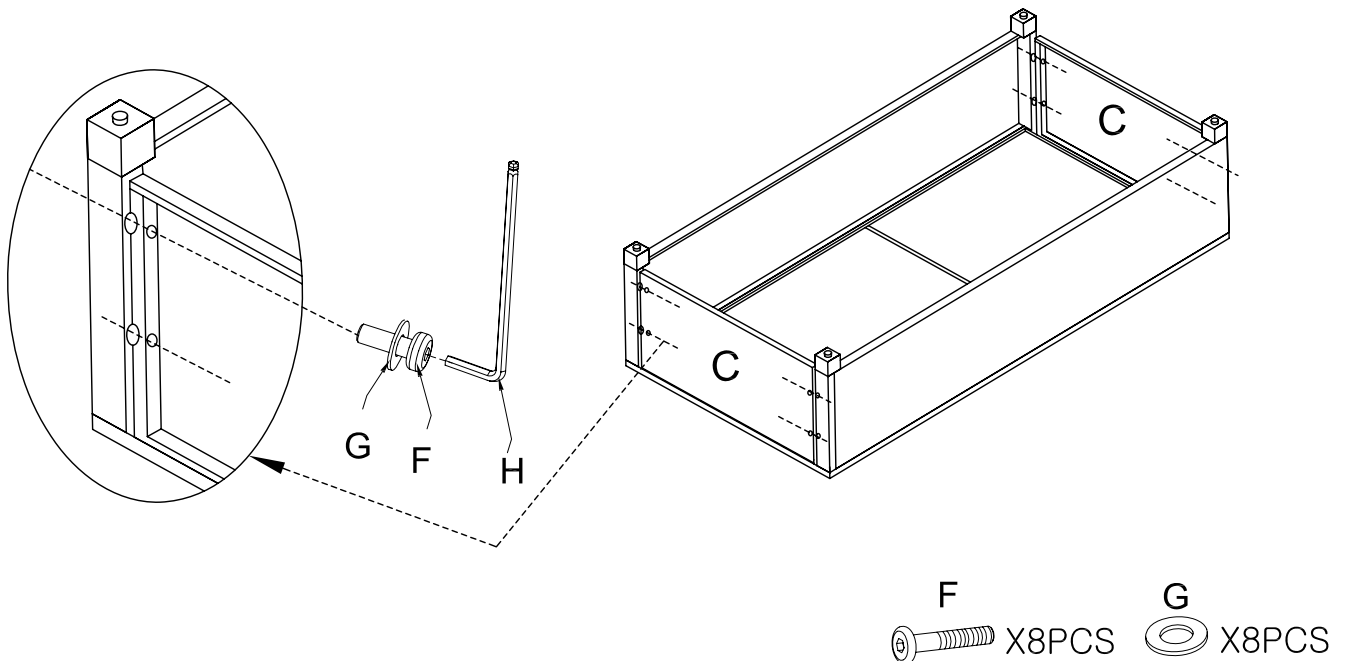
EXTRA HARDWARE LIST

 <p>E X1PC</p>	 <p>F X2PCS</p>	 <p>G X3PCS</p>
---	--	--

Step 1. Lay wicker Top (A) on a flat surface with underside facing up. Attach Side Panels(B) to Top (A), using Short Bolts(E), Washers(G) and Allen Key (H).
 NOTE: Please do not fully tighten bolts until unit is fully assembled.



Step 2. Attach End Panels (C) to Side Panels (B), using Long Bolts(F), Washers(G) and Allen Key(H).



Step 3. Turn the table upright and place the glass on the table top.

