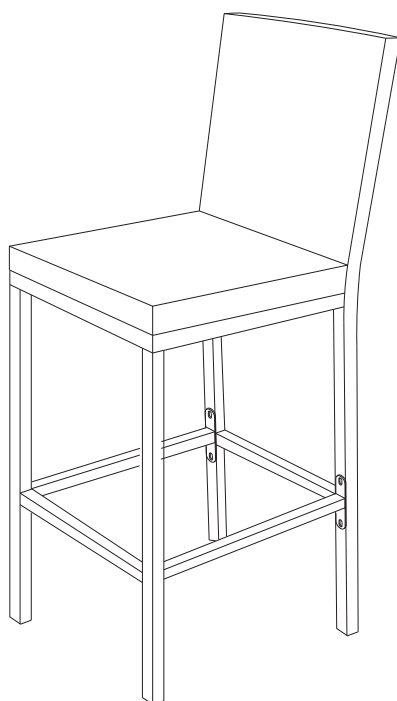
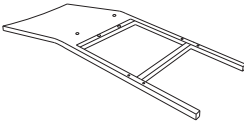
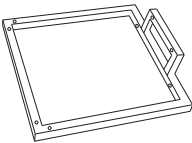
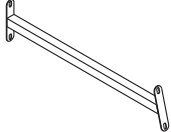
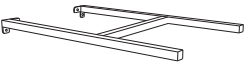





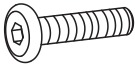
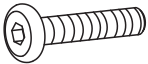


Bradenton Outdoor Wicker Bar Height Stools CO7134



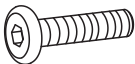
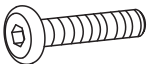

PART LIST

A 	B 	C 	D 	E 
Back Panel 1 PC	Seat Panel 1 PC	Stretcher 2 PCS	Front Leg 1 PC	Seat Cushion 1 PC

HARDWARE LIST

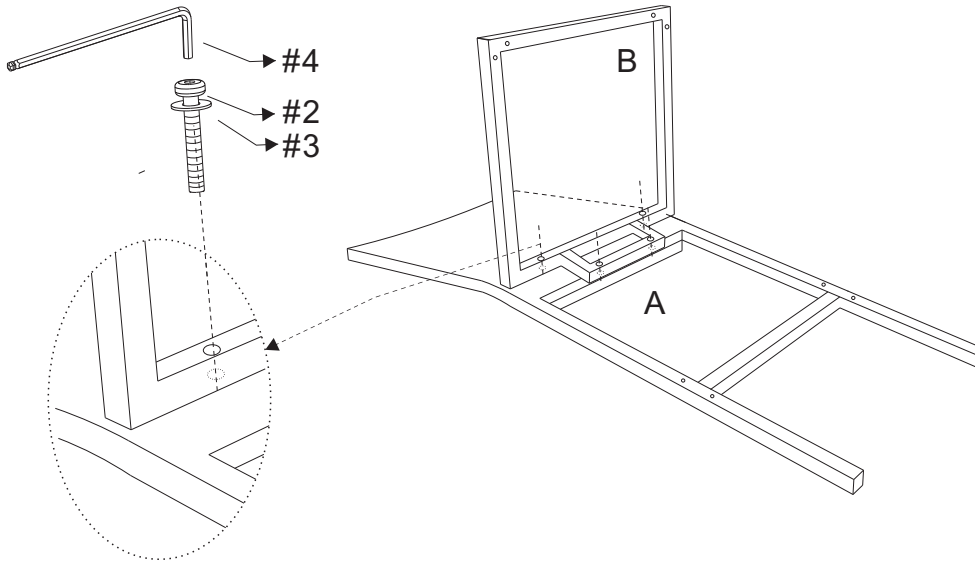
#1 	#2 	#3 	#4 
M6*20mm Short Bolt 12 PCS	M6*50mm Long Bolt 4 PCS	M6mm Washer 16 PCS	M6mm Allen Key 1 PC

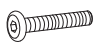


EXTRA HARDWARE LIST

#1 	#2 	#3 
M6*20mm Short Bolt 3 PCS	M6*50mm Long Bolt 1 PC	M6mm Washer 3 PCS

Step 1. Lay back panel (part #A) on a flat surface. Attach seat panel (part #B) to back panel (part #A) using long bolts (part #2), washers (part #3) and allen key (part #4).

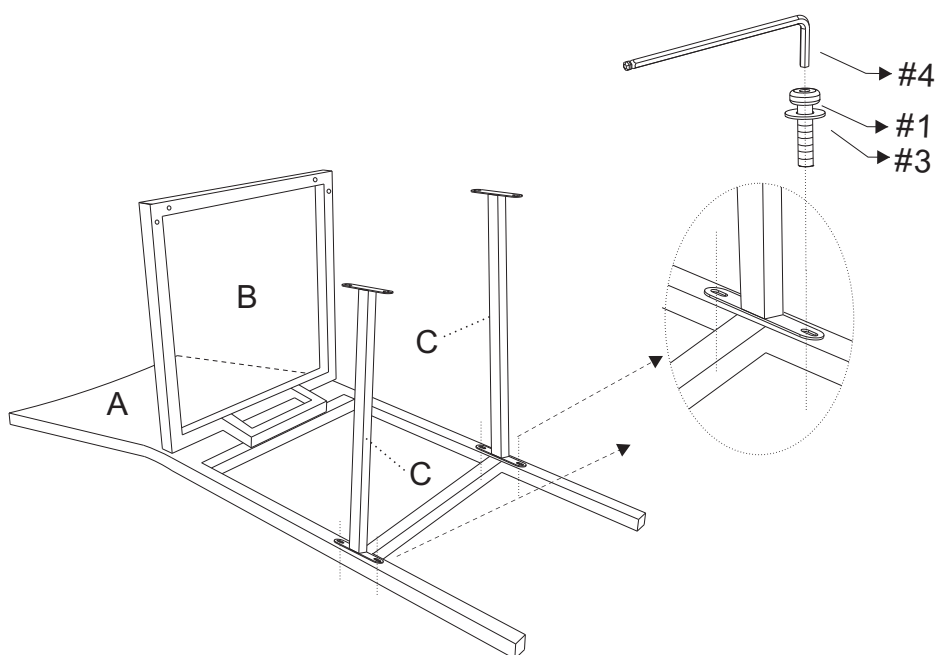
NOTE: Please do not fully tighten bolts until unit is fully assembled.

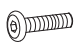




- | | | |
|----|---|----|
| #2 |  | x4 |
| #3 |  | x4 |
| #4 |  | x1 |

Step 2. Attach stretchers (part #C) to back panel (part #A) using short bolts (part #1), washers (part #3) and allen key (part #4).

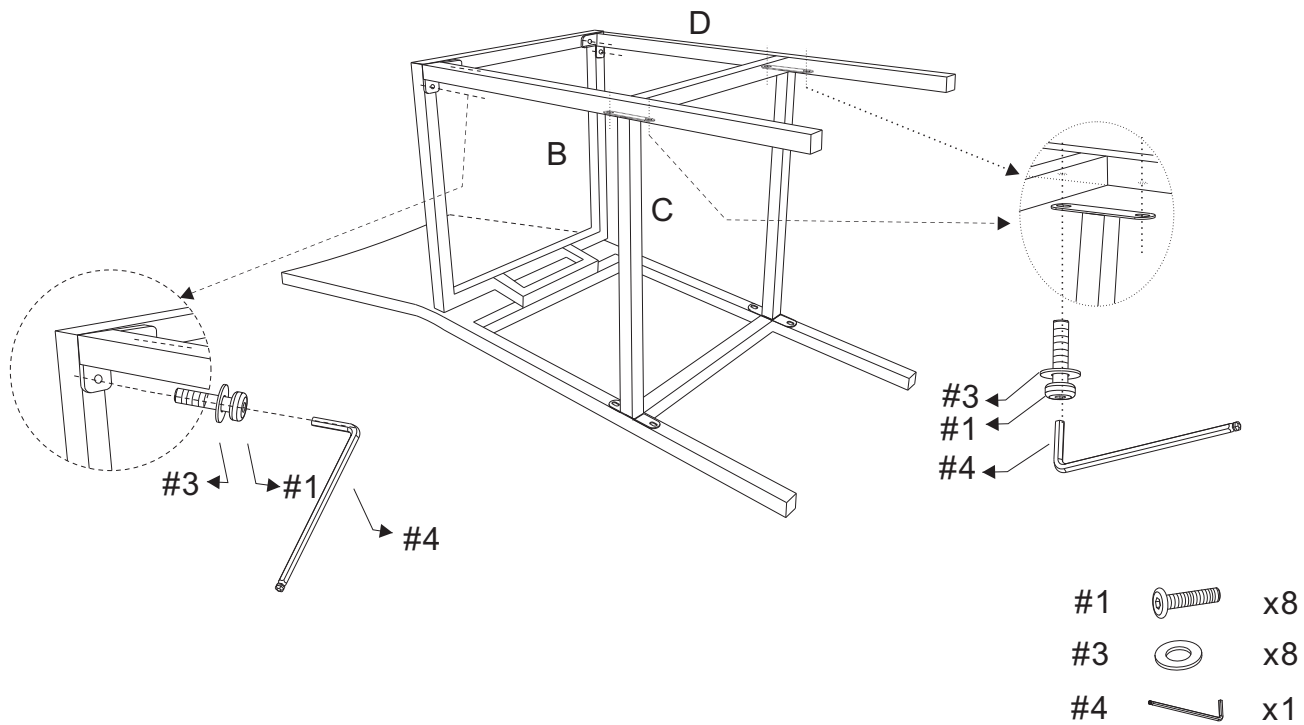
NOTE: Please do not fully tighten bolts until unit is fully assembled.



- | | | |
|----|---|----|
| #1 |  | x4 |
| #3 |  | x4 |
| #4 |  | x1 |

Step 3. Attach front leg (part #D) to assembled parts (part #A,B&C) using short bolts (part #1), washers (part #3) and allen key (part #4).

NOTE: Please fully tighten all bolts at this time.



Step 4. Carefully turn the stool upright and place seat cushion (part #E) on the stool.

