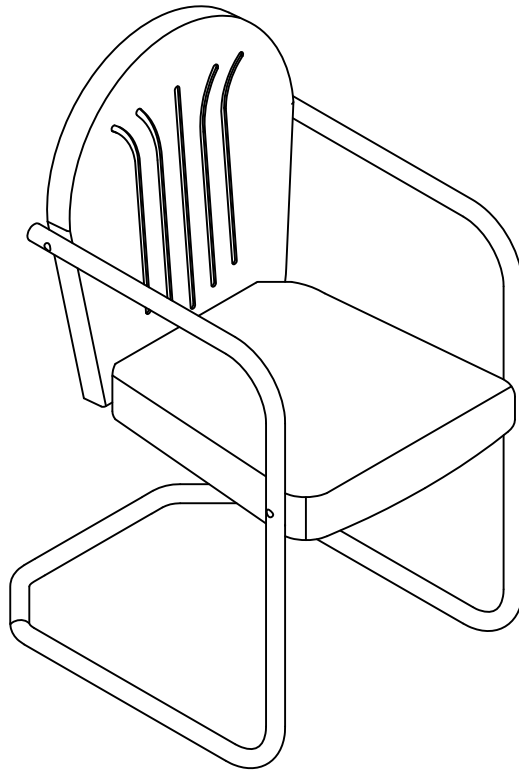


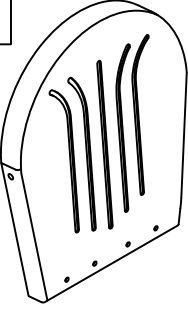
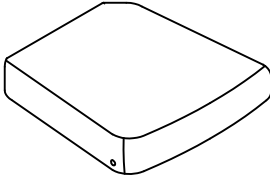
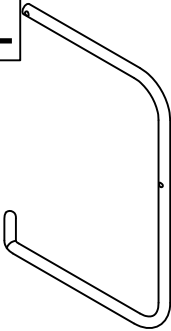
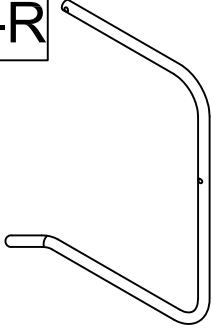
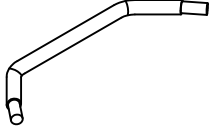


Metal Chair

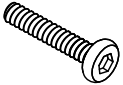


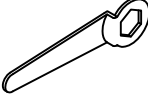
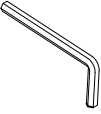
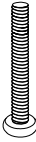


CO1001A



PART LIST

<p>1</p> 	<p>2</p> 	<p>3-L</p> 	<p>3-R</p> 	<p>4</p> 
<p>Chair Back 1 PC</p>	<p>Chair Seat 1 PC</p>	<p>Left Support Leg 1 PC</p>	<p>Right Support Leg 1 PC</p>	<p>Leg Connector 1 PC</p>

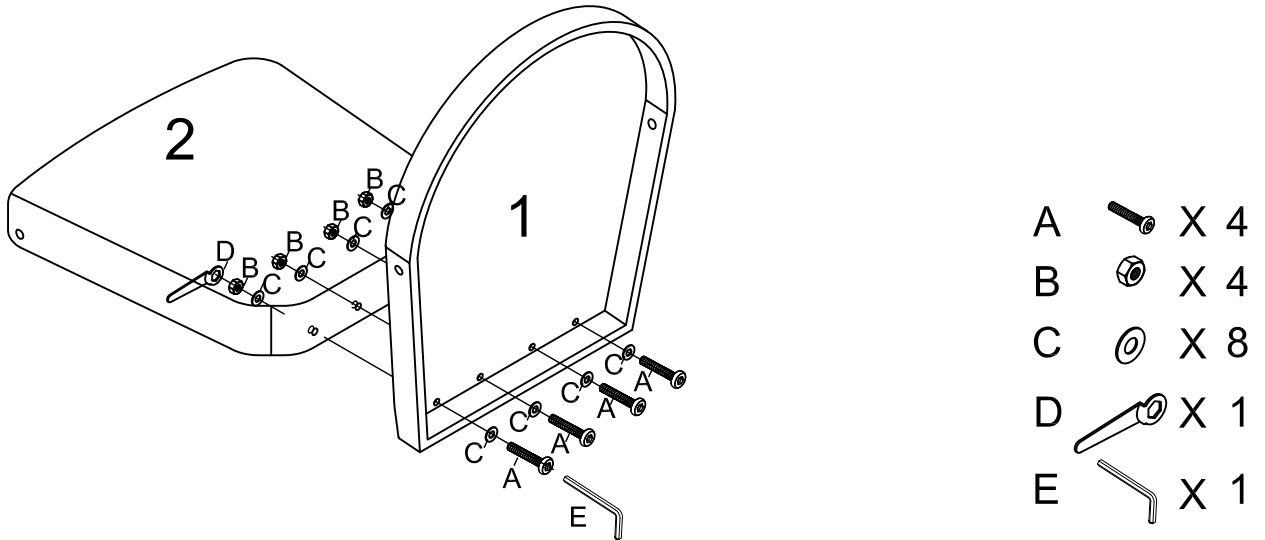
HARDWARE LIST

<p>A</p>  <p>M6X13mm</p>	<p>B</p> 	<p>C</p> 	<p>D</p> 	<p>E</p> 
<p>Short Bolt 4 PCS</p>	<p>Nut 8 PCS</p>	<p>Flat Washer 12 PCS</p>	<p>Wrench 1 PC</p>	<p>Allen Key 1 PC</p>
<p>F</p>  <p>M6X42mm</p>	<p>G</p> 	<p>H</p> 		
<p>Long Bolt 4 PCS</p>	<p>Plastic Washer 4 PCS</p>	<p>Round Plastic Washer 4 PCS</p>		

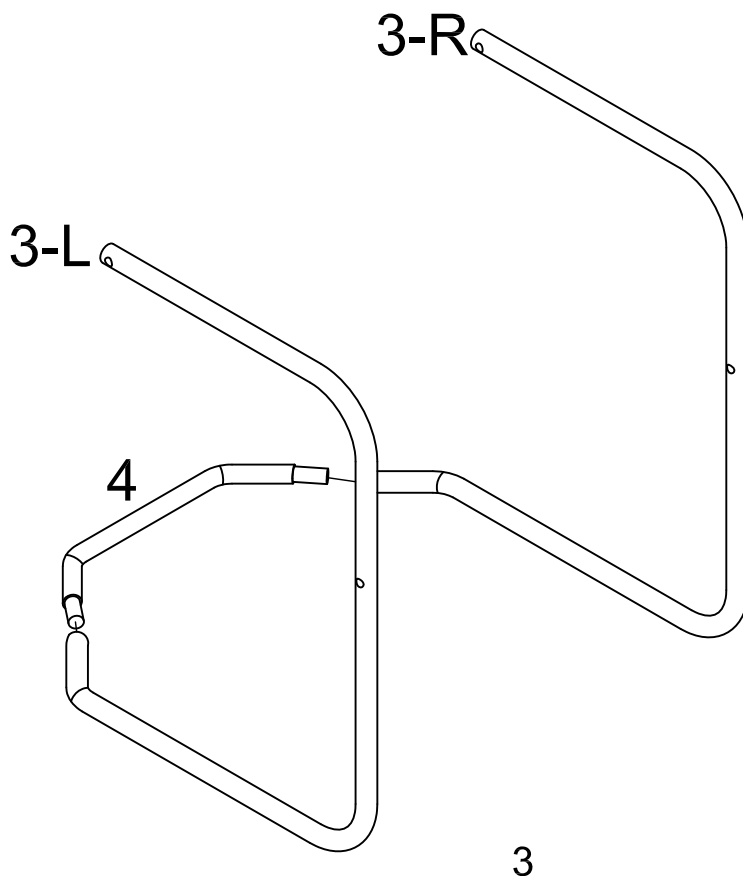
IMPORTANT NOTE: WE RECOMMEND TWO PEOPLE WORK TOGETHER TO ASSEMBLE THE CHAIR

Step 1 Attach chair seat (part #2) to chair back (part #1) using short bolts (part A), flat washers (part C), nuts (part B), wrench (part D) and allen key (part E) .

NOTE: Please do not fully tighten bolts until unit is fully assembled.

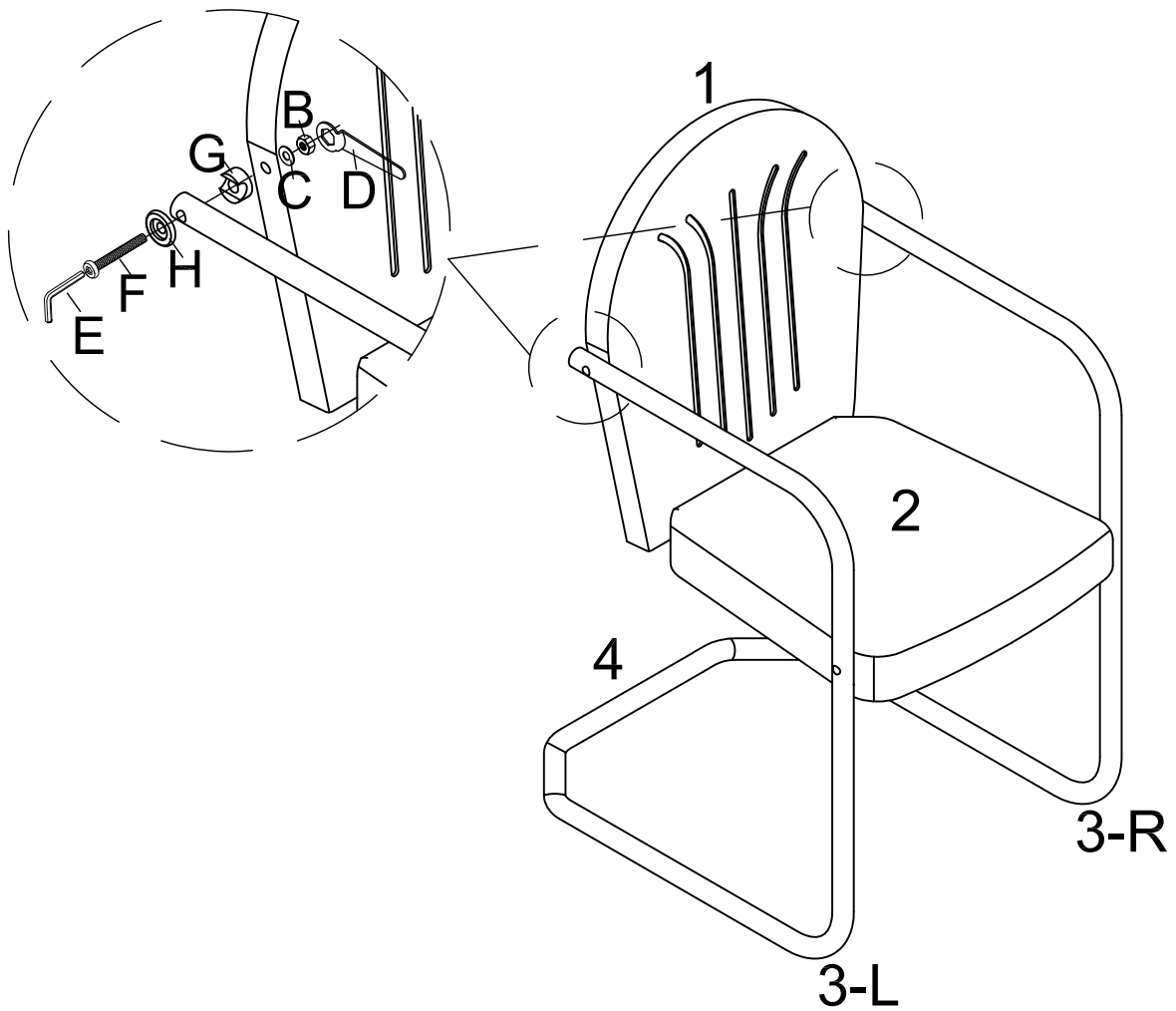









Step 2 Attach left support leg (part #3-L) and right support leg (part #3-R) to leg connector (part #4).



Step 3 Attach support legs (parts #3-L & 3-R) to chair back (part #1) using long bolts (part F), round plastic washers (part H), plastic washers (part G), flat washers (part C), nuts (part B), wrench (part D) and allen key (part E).

NOTE: Please do not fully tighten bolts until unit is fully assembled.

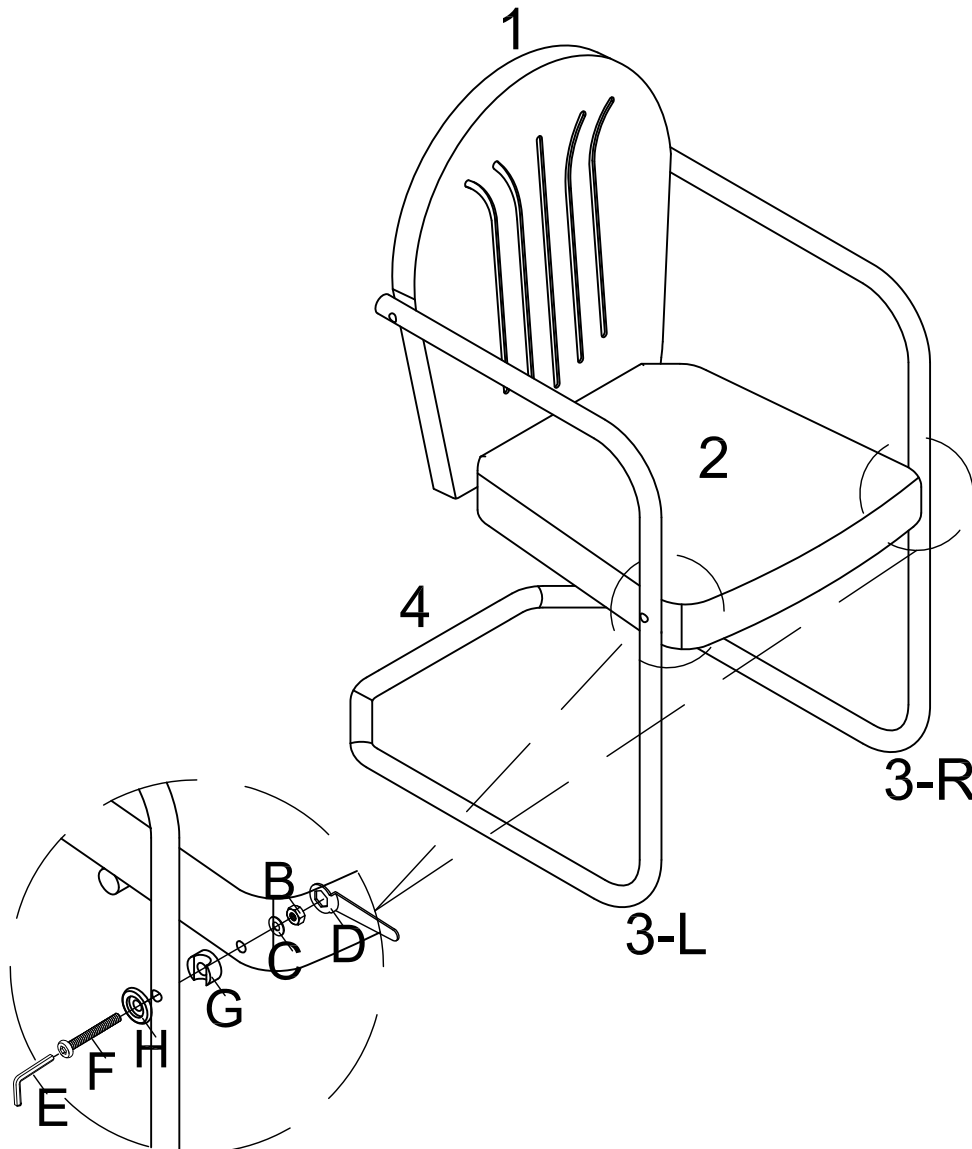









B		X 2
C		X 2
D		X 1
E		X 1
F		X 2
G		X 2
H		X 2

Step 4

Attach support legs (parts #3-L & 3-R) to chair seat (part #2) using long bolts (part F), round plastic washers (part H), plastic washers (part G), flat washers (part C), nuts (part B), wrench (part D) and allen key (part E).

NOTE: Please fully tighten all bolts at this time.



B		X 2
C		X 2
D		X 1
E		X 1
F		X 2
G		X 2
H		X 2