












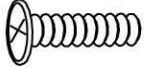
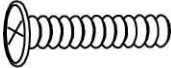
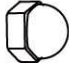
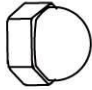

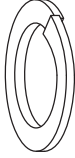
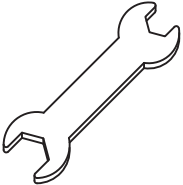
CAST ALUMINUM
HIGHBACK ARM CHAIR
CO6102-BK



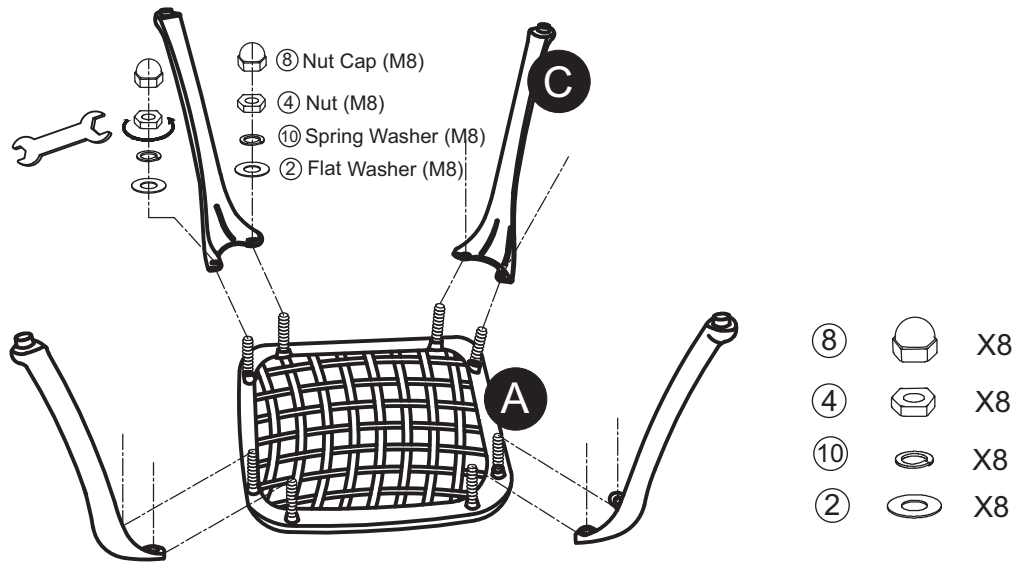
PARTS LIST

<p>A</p> 	<p>B</p> 	<p>C</p> 	<p>D</p> 	<p>E</p> 
<p>Seat 1 PC</p>	<p>Back 1 PC</p>	<p>Leg 1 PC</p>	<p>Left Arm 1 PC</p>	<p>Right Arm 1 PC</p>

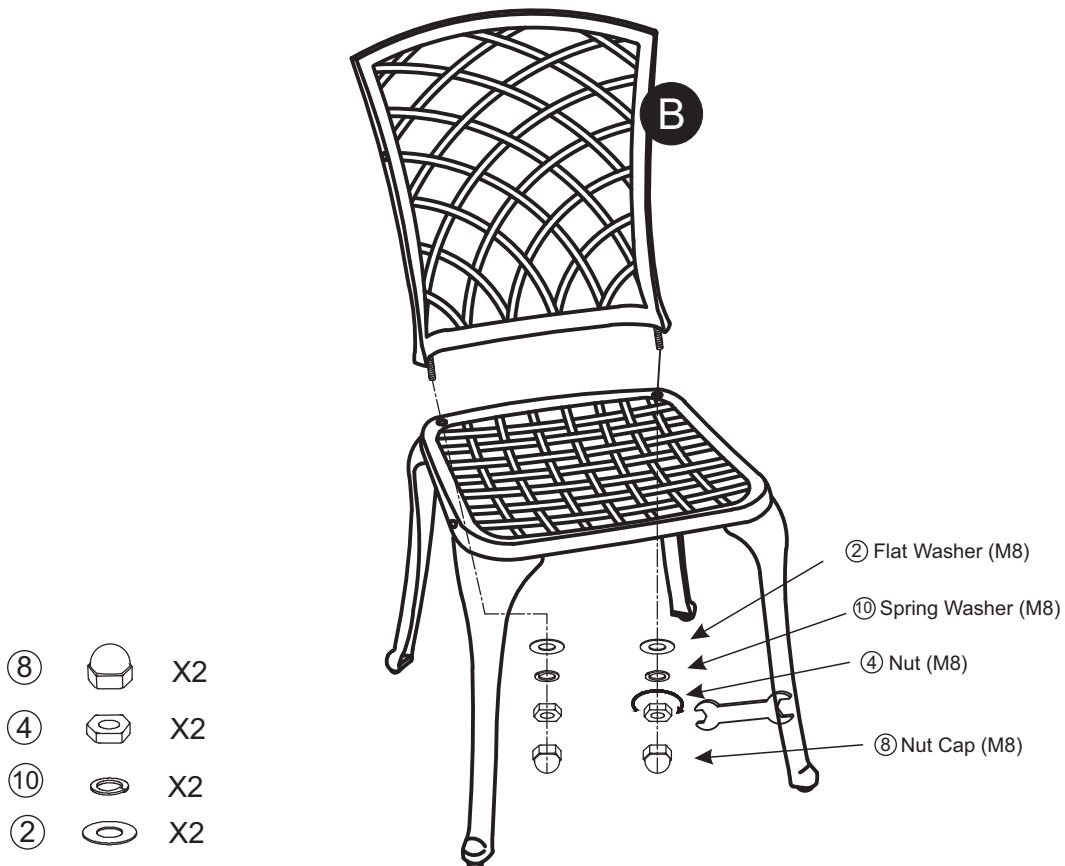
HARDWAARE LIST

<p>1</p> 	<p>2</p> 	<p>3</p> 	<p>4</p> 	<p>5</p> 
<p>Flat Washer(M6) 4PCS</p>	<p>Flat Washer(M8) 10PCS</p>	<p>Nuts(M6) 4PCS</p>	<p>Nuts(M8) 10PCS</p>	<p>Short phillips Heat Bolt (M6*25) 2PCS</p>
<p>6</p> 	<p>7</p> 	<p>8</p> 	<p>9</p> 	<p>10</p> 
<p>Long phillips Heat Bolt (M6*30) 2PCS</p>	<p>Nut Caps(M6) 4PCS</p>	<p>Nut Caps(M8) 10PCS</p>	<p>Spring Washers (M6)4PCS</p>	<p>Spring Washers (M8)10PCS</p>
<p>11</p> 				
<p>Wrench (M6 & M8) 1 PC</p>				

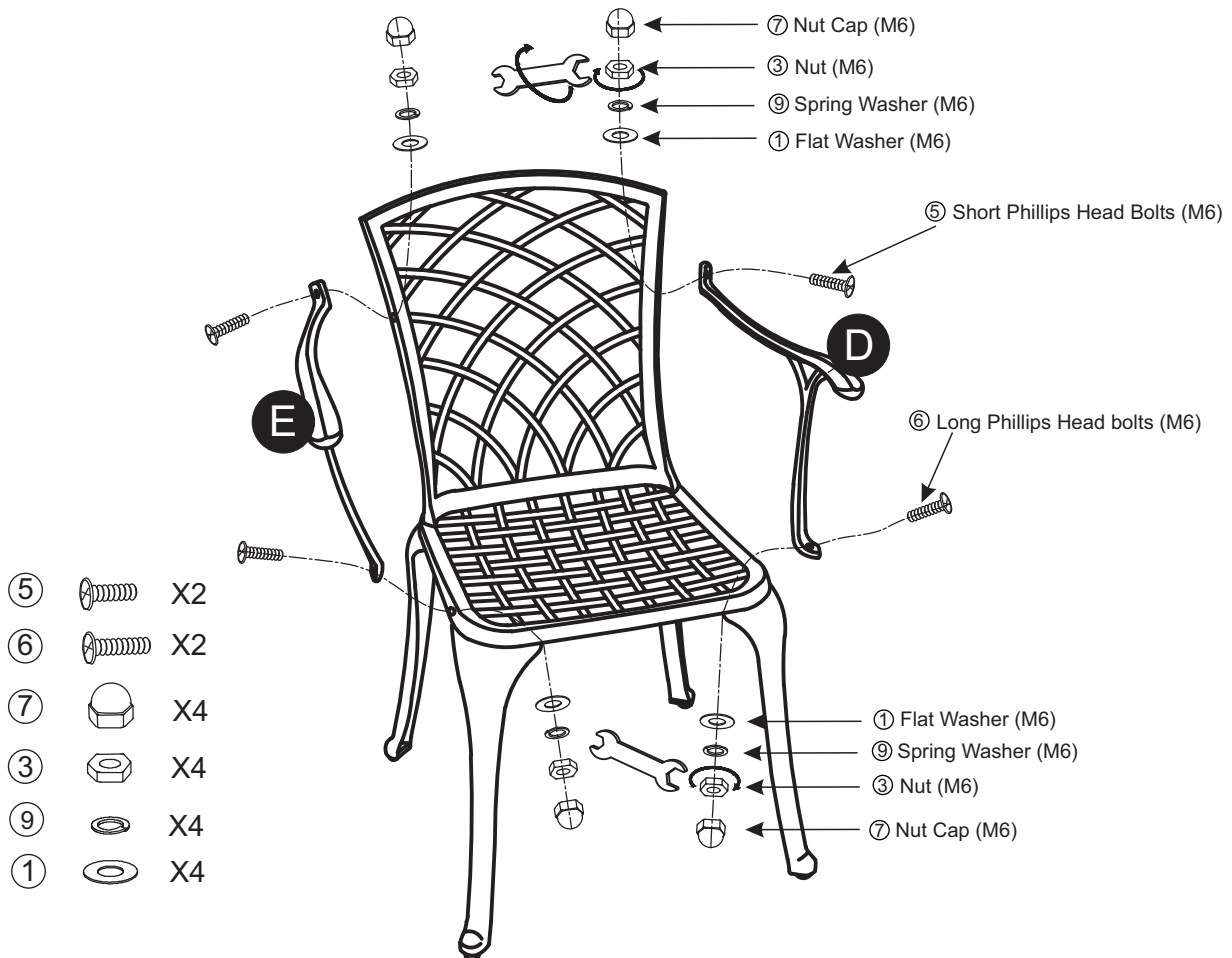
Step:1 Place seat (A) upside down on a soft cloth. Attach Legs (C) to Seat (A) with, Flat washers(Part #2), Spring washers(Part #10),and Nuts(Part #4).Note - Do not tighten Nuts(Part #4) Completely at this time.



Step:2 Attach Back (B) to Seat(A) with Flat Washers(Part #2),Spring Washers(Part #10) & Nuts(Part #4).Note - Do not tighten Nuts(Part #4) completely at this time.



Step:3 Attach Arms (E&D) with Short Phillips Head Bolts(Part #5), Long Phillips Head Bolts(Part #6),Flat Washers(Part #1), Spring Washers(Part #9) & Nuts(Part #3).Completely tighten all Nuts(Part #'s 3 & 4) and cover whit Nut Caps (Part #'s 7 & 8).



Step:4 Congratulation!
You are finished

