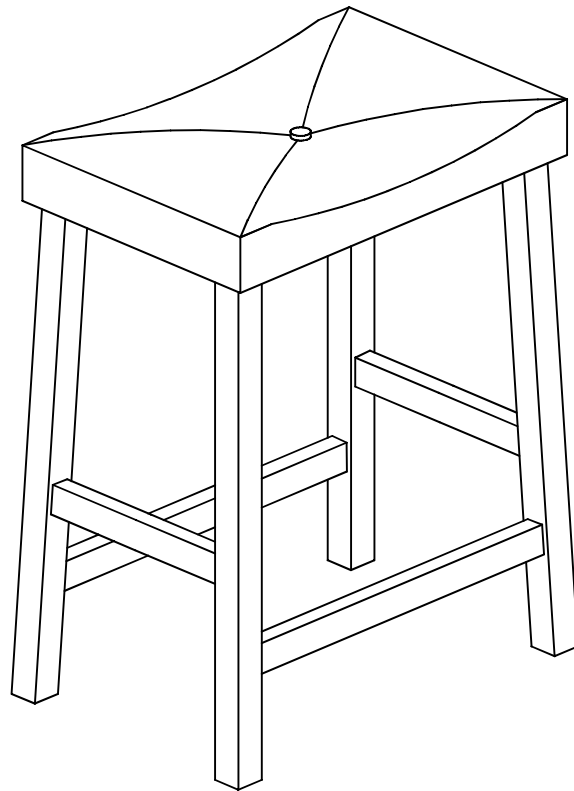


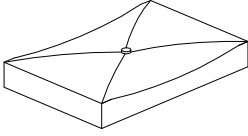
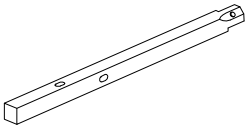
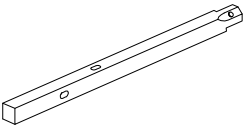
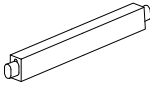
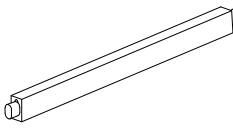


Upholstered Saddle Seat Bar Stool


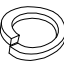
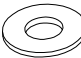


CF500224/CF500229



PART LIST

A	B	C	D	E
				
<p>Seat Frame 2 PC</p>	<p>Left Leg 4 PCS</p>	<p>Right Leg 4 PCS</p>	<p>Short Side Stretcher 4 PCS</p>	<p>Long Front Stretcher 4 PCS</p>

HARDWARE LIST

#1	#2	#3	#4	#5
				
<p>Bolt 1/4" x 45mm 8 PCS (Extra 1)</p>	<p>Spring Washer 8 PCS (Extra 1)</p>	<p>Flat Washer 8 PCS (Extra 1)</p>	<p>Allen Wrench 1 PC</p>	<p>Screw Ø4 x 38mm 16 PCS (Extra 1)</p>

STEP 1. CHAIR LEGS ASSEMBLY

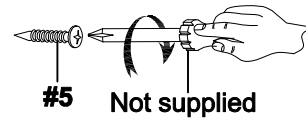
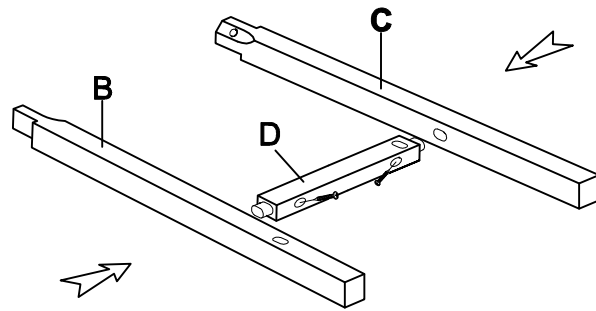
1A. Insert short side Stretcher (D) aligned on the upper hole on the side of legs (B).

1B. Align another leg (C) to the stretcher.

1C. Insert wood screws (#5) into predrilled holes at both ends of the stretcher.

1D. Tighten wood screws (#5) with Phillips head screwdriver (not supplied).

1E. Repeat same step for the other side of legs.



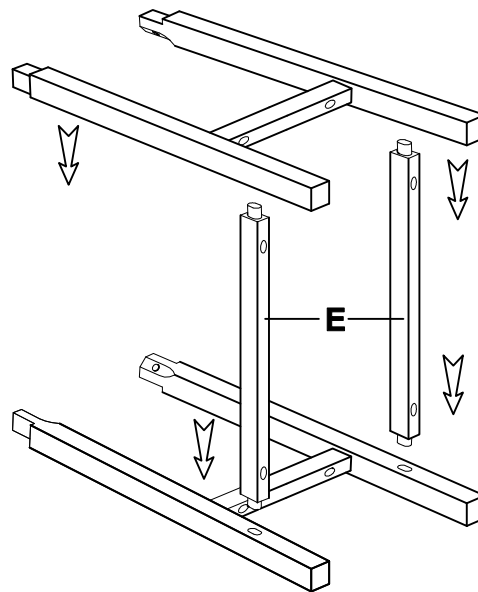
#5 X4

STEP 2. FRONT STRETCHER ASSEMBLY

2A. Insert long front stretcher (E) dowels with the lower holes into one of the completed sides.

2B. Align another leg to the stretcher.

2C. Attach remaining side to the other end of the long front stretchers (E) aligned with the lower holes.



STEP 3. CUSHION SEAT ASSEMBLY

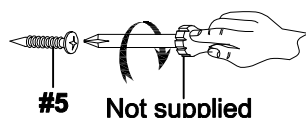
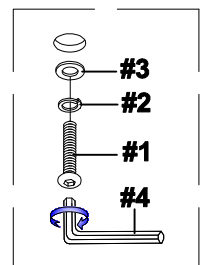
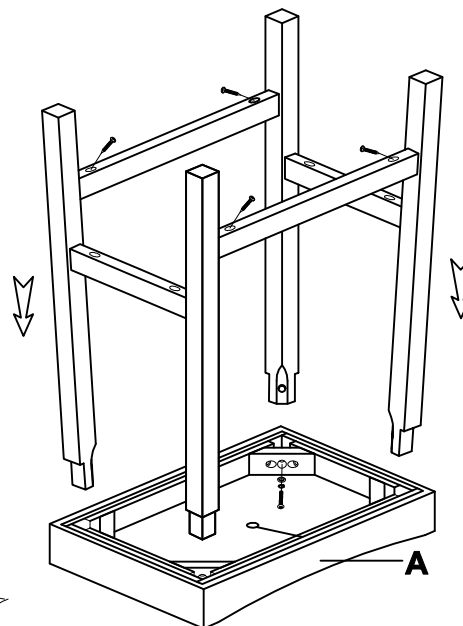
3A. Place seat cushion (A) upside down on a clean cloth.

3B. Slowly insert legs into the bottom frame of seat cushion.

3C. Insert bolt (#1) with spring washer (#2) and flat washer (#3) through seat frame into legs.

3D. Turn bolts clockwise with allen wrench (#4) until tight.

3E. Insert wood screws (#5) into both ends of long front stretchers (E) and tighten with Phillips head screwdriver (not supplied).



#5 Not supplied

#1 X4
#2 X4
#3 X4
#4 X1
#5 X4

STEP 4. Repeat step 1-3 to assemble remaining stool

