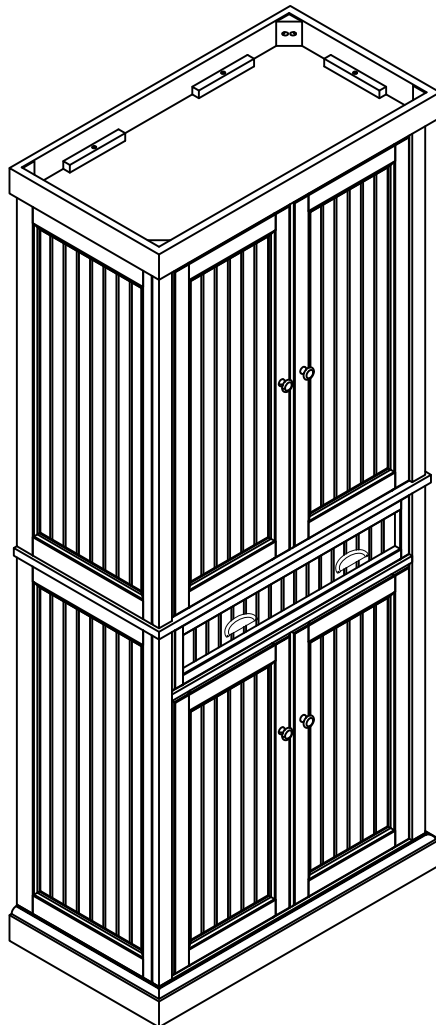
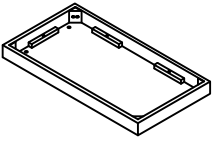
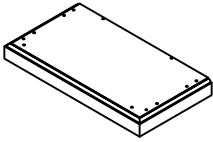
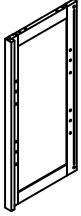
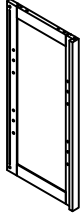
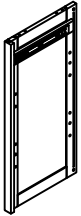
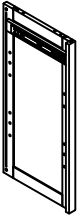
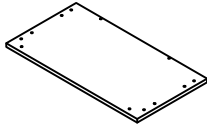
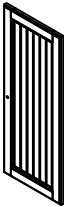
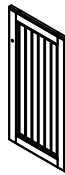
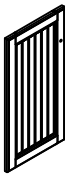
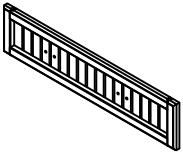
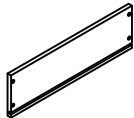
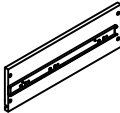

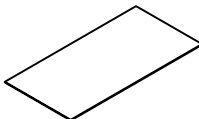
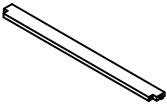
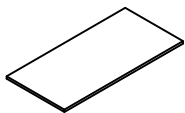
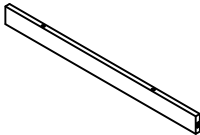

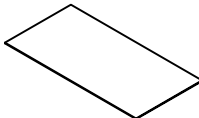






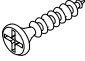



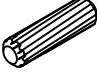





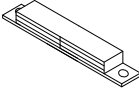

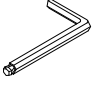

Kitchen Pantry
CF3103



PART LIST

<p>A</p> 	<p>B</p> 	<p>C</p> 	<p>D</p> 	<p>E</p> 
<p>Top Panel 1 PC</p>	<p>Bottom Panel 1 PC</p>	<p>Upper Left Panel 1 PC</p>	<p>Upper Right Panel 1 PC</p>	<p>Lower Left Panel 1 PC</p>
<p>F</p> 	<p>G</p> 	<p>H</p> 	<p>I</p> 	<p>J</p> 
<p>Lower Right Panel 1 PC</p>	<p>Middle Shelf 1 PC</p>	<p>Upper Door 2 PCS</p>	<p>Lower Left Door 1 PC</p>	<p>Lower Right Door 1 PC</p>
<p>K</p> 	<p>L</p> 	<p>M</p> 	<p>N</p> 	<p>O</p> 
<p>Drawer Front Panel 1 PC</p>	<p>Drawer Left Panel 1 PC</p>	<p>Drawer Right Panel 1 PC</p>	<p>Drawer Back Panel 1 PC</p>	<p>Drawer Bottom Panel 1 PC</p>
<p>P</p> 	<p>Q</p> 	<p>R</p> 	<p>S</p> 	<p>T</p> 
<p>Front Rail 1 PCS</p>	<p>Adjustable Shelf 4 PCS</p>	<p>Back Rail 4 PCS</p>	<p>Back Partition Rail 2 PCS</p>	<p>Back Panel 4 PCS</p>

HARDWARE LIST

<p>#1</p>  <p>Ø1/4 " *1-3/4"</p>	<p>#2</p>  <p>Ø1/4 " *1"</p>	<p>#3</p>  <p>Ø4mm *7/8 "</p>	<p>#4</p>  <p>Ø3mm *1/2 "</p>	<p>#5</p>  <p>Ø4.5mm *3/8 "</p>
<p>Long Hex Socket Head Bolt 12 PCS (Extra 1)</p>	<p>Short Hex Socket Head Bolt 4 PCS (Extra 1)</p>	<p>Long Flat Head Screw 8 PCS (Extra 1)</p>	<p>Screw 32 PCS (Extra 1)</p>	<p>Handle Bolt 4 PCS (Extra 1)</p>
<p>#6</p>  <p>Ø4.5mm *7/8 "</p>	<p>#7</p>  <p>Ø8mm *1-1/8 "</p>	<p>#8</p>  <p>Ø8mm *2 "</p>	<p>#9</p>  <p>Ø1/4 " *11mm</p>	<p>#10</p>  <p>Ø1/4 " *13mm</p>
<p>Knob Bolt 4 PCS (Extra 1)</p>	<p>Wood Dowel 18 PCS (Extra 1)</p>	<p>Long Wood Dowel 6 PCS (Extra 1)</p>	<p>Spring Washer 16 PCS (Extra 1)</p>	<p>Flat Washer 16 PCS (Extra 1)</p>
<p>#11</p> 	<p>#12</p> 	<p>#13</p> 	<p>#14</p> 	<p>#15</p>  <p>4mm</p>
<p>Knob 4 PCS</p>	<p>Handle 2 PCS</p>	<p>Double Magnet 4 PCS</p>	<p>Shelf Holder 16 PCS (Extra 1)</p>	<p>Allen Wrench 1 PC</p>
<p>#16</p>  <p>Safety Strap Kit 1 SET</p>				

ADDITIONAL TOOLS (Not Provided)

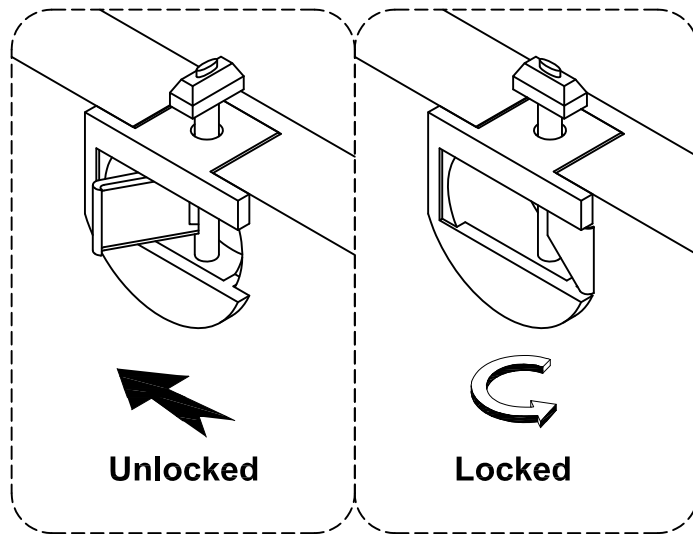
Note: It is not recommended to use power tools during assembly.



Phillips Head Screwdriver

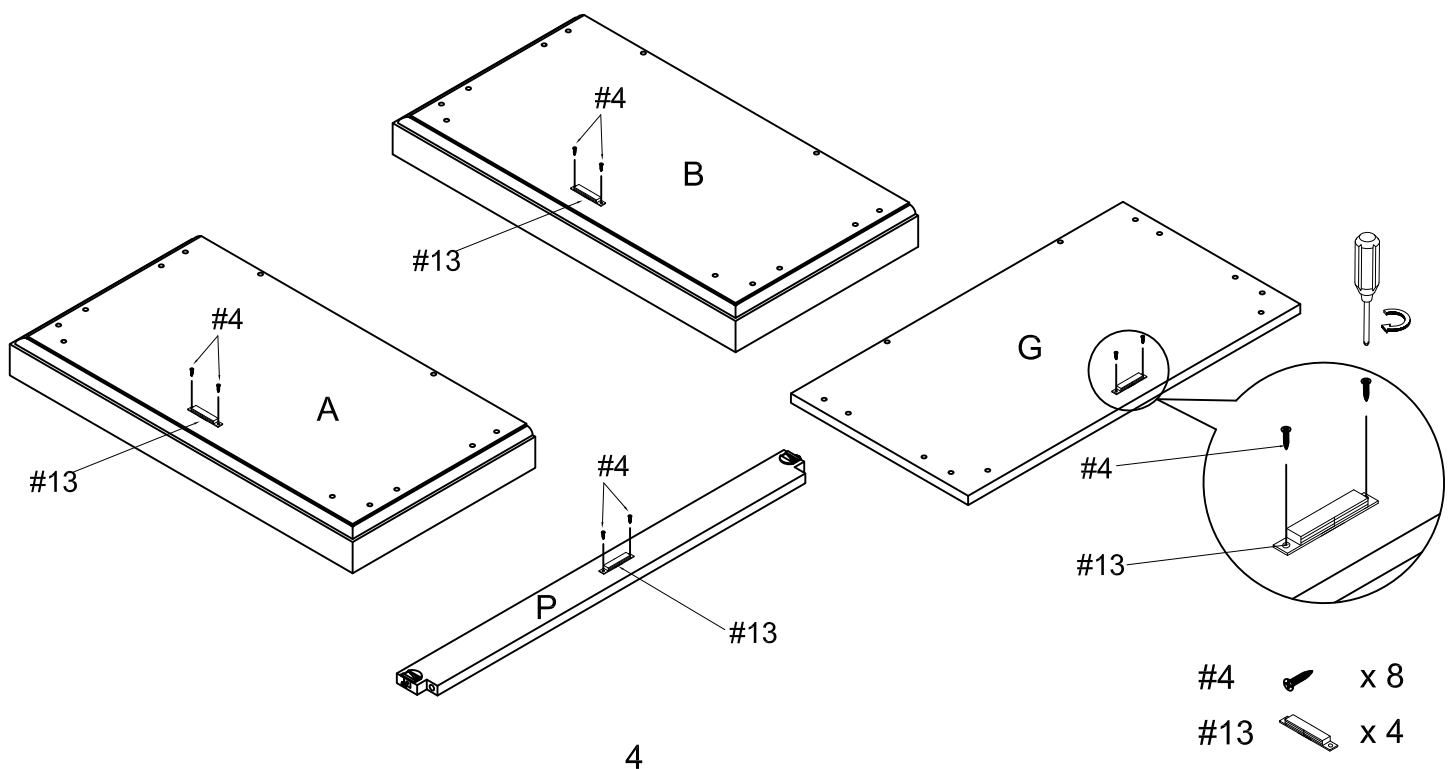
Note: Wood dowels are intended for alignment. Additional clearance between wood dowel and pre-drilled hole is intentional for ease of assembly.

Please do not use tools to assemble this unit unless specifically indicated.

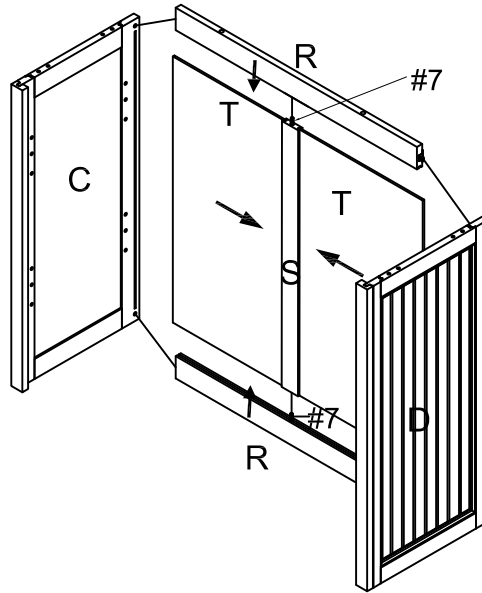


Reference the images above any time the instructions state "lock the hardware".
Note: Be sure to check all hardware is locked when completed.

Step 1. Attach double magnets (part #13) to top panel (part A), bottom panel (part B), middle shelf (part G) and front rail (part P) using screws (part #4) and phillips head screwdriver.

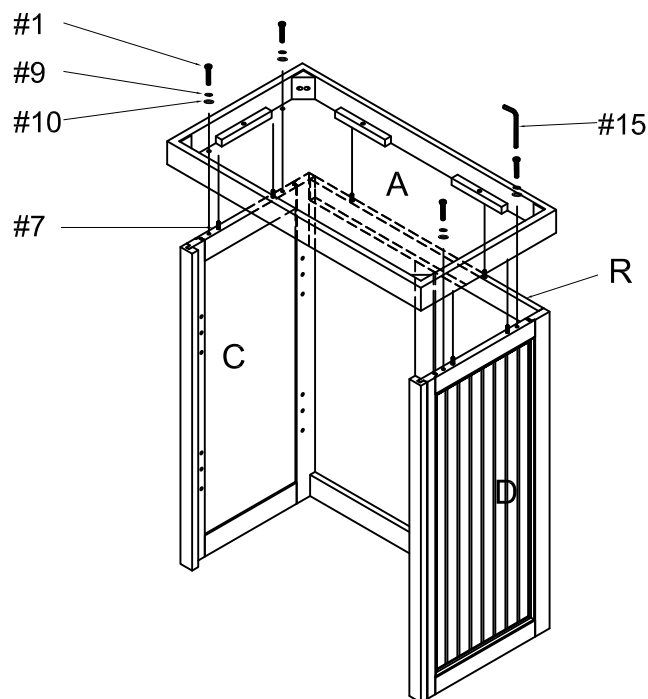







Step 2. Attach back rails (part R) to back partition rail (part S) using wood dowels (part #7), then slide back panels (part T) into grooves of back rails (parts R & S). Attach upper left panel (part C) and upper right panel (part D) to assembled unit (parts R & T) and lock the hardware.



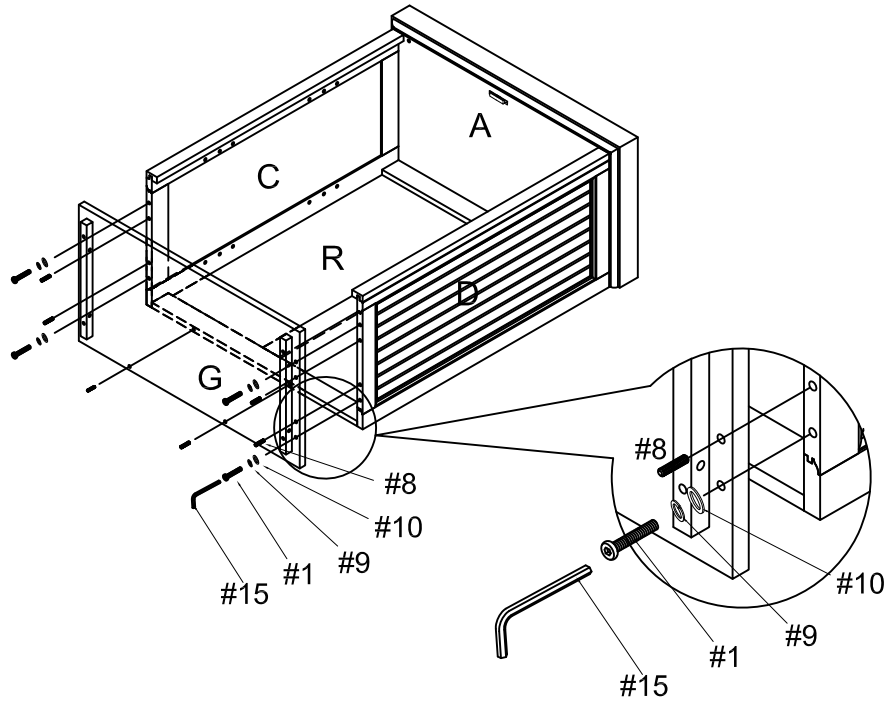
#7  x 2






Step 3. Attach top panel (part A) to assembled unit (parts C, D & R) using wood dowels (part #7), long hex socket head bolts (part #1), spring washers (part #9), flat washers (part #10) and allen wrench (part #15).



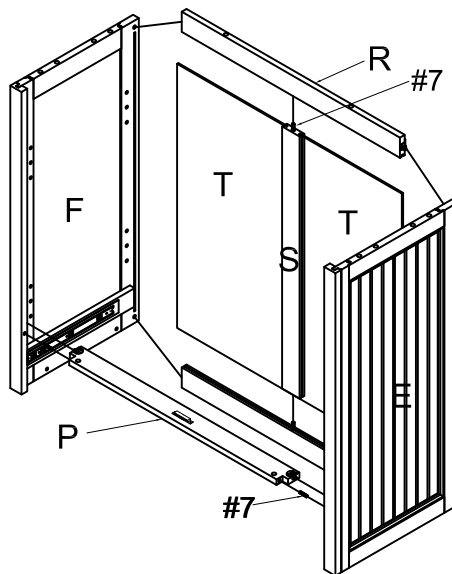
#1  x 4
 #7  x 6
 #9  x 4
 #10  x 4
 #15  x 1

Step 4. Carefully lay unit down. Attach middle shelf (part G) to assembled unit (parts C, D & R) using long wood dowels (part #8), long hex socket head bolts (part #1), spring washers (part #9), flat washers (part #10) and allen wrench (part #15).
 NOTE: Long wood dowels will protrude from the bottom of middle shelf (part G).



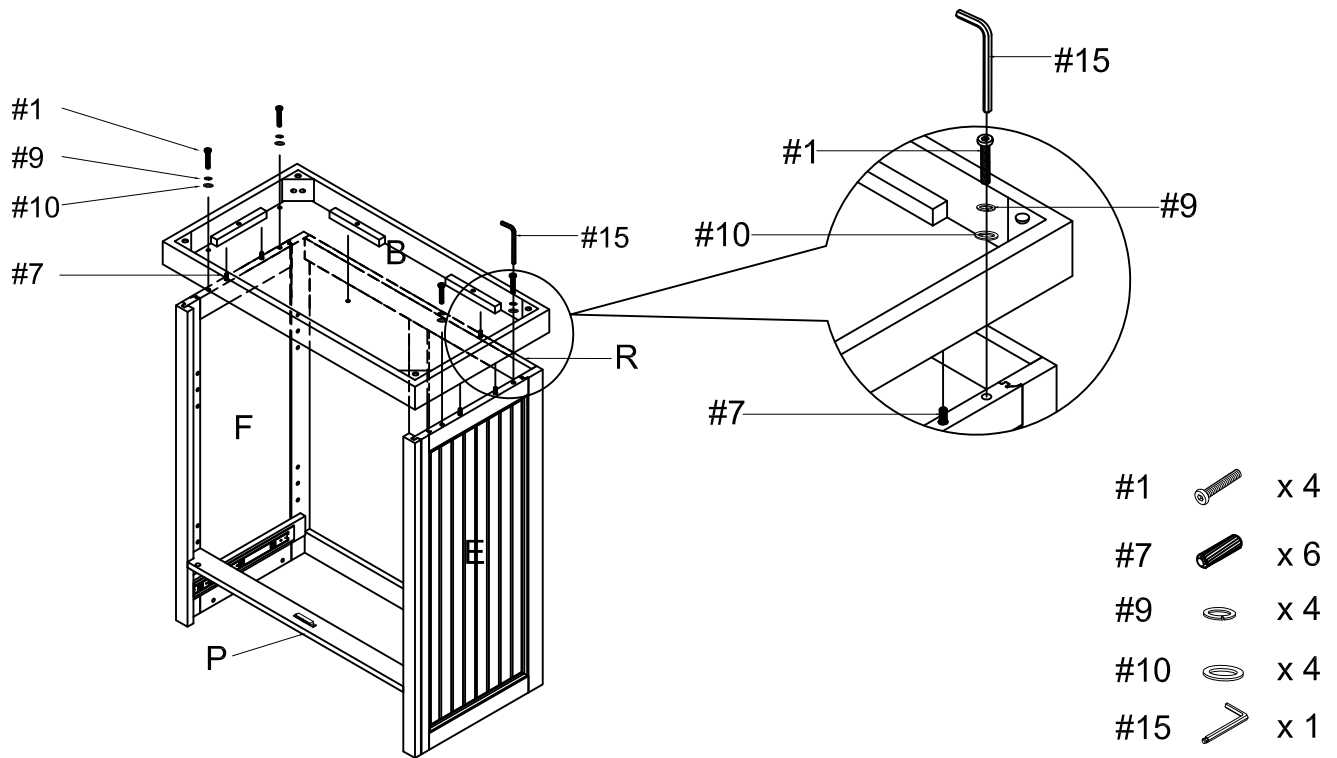
- | | | |
|-----|---|-----|
| #1 |  | x 4 |
| #8 |  | x 6 |
| #9 |  | x 4 |
| #10 |  | x 4 |
| #15 |  | x 1 |

Step 5. Attach back rails (part R) to back partition rail (part S) using wood dowels (part #7), then slide back panels (part T) into grooves of back rails (parts R & S). Attach front rail (part P) to lower panels (parts E & F) using wood dowels (part #7) and lock the hardware. Attach assembled unit (parts E, F & P) to assembled unit (parts R & T) and lock the hardware.

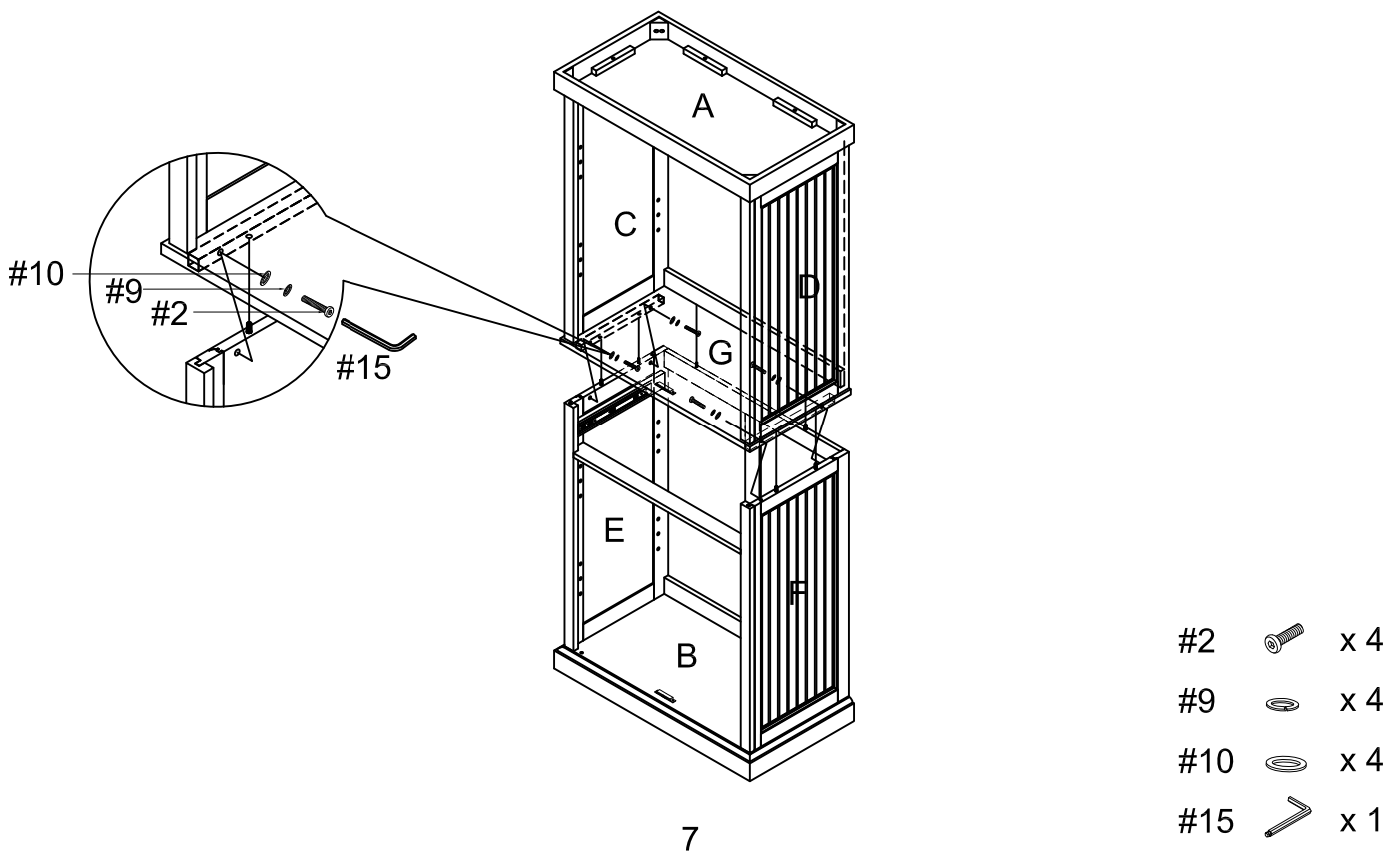


- | | | |
|----|---|-----|
| #7 |  | x 4 |
|----|---|-----|

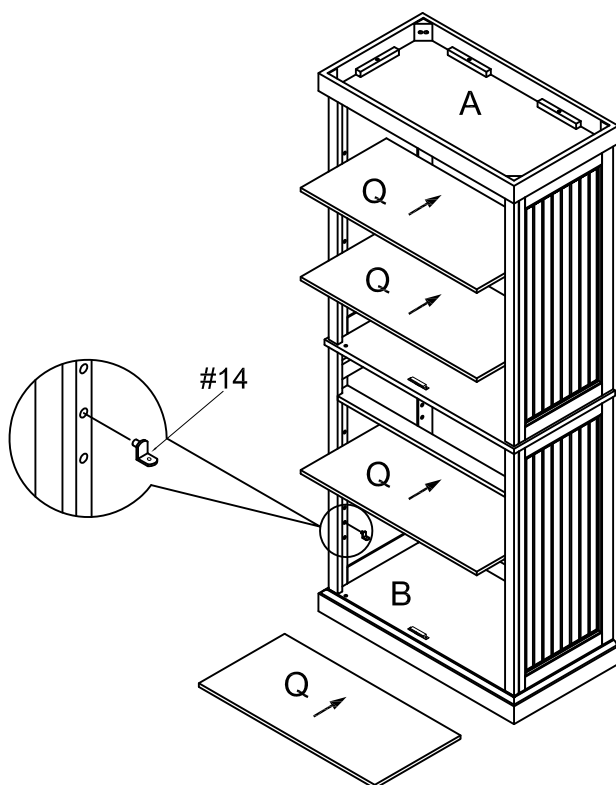
Step 6. Attach bottom panel (part B) to assembled unit (parts E, F & R) using wood dowels (part #7), long hex socket head bolts (part #1), spring washers (part #9), flat washers (part #10) and allen wrench (part #15).



Step 7. Attach the assembled top and bottom cabinets using short hex socket head bolts (part #2), spring washers (part #9), flat washers (part #10) and allen wrench (part #15).

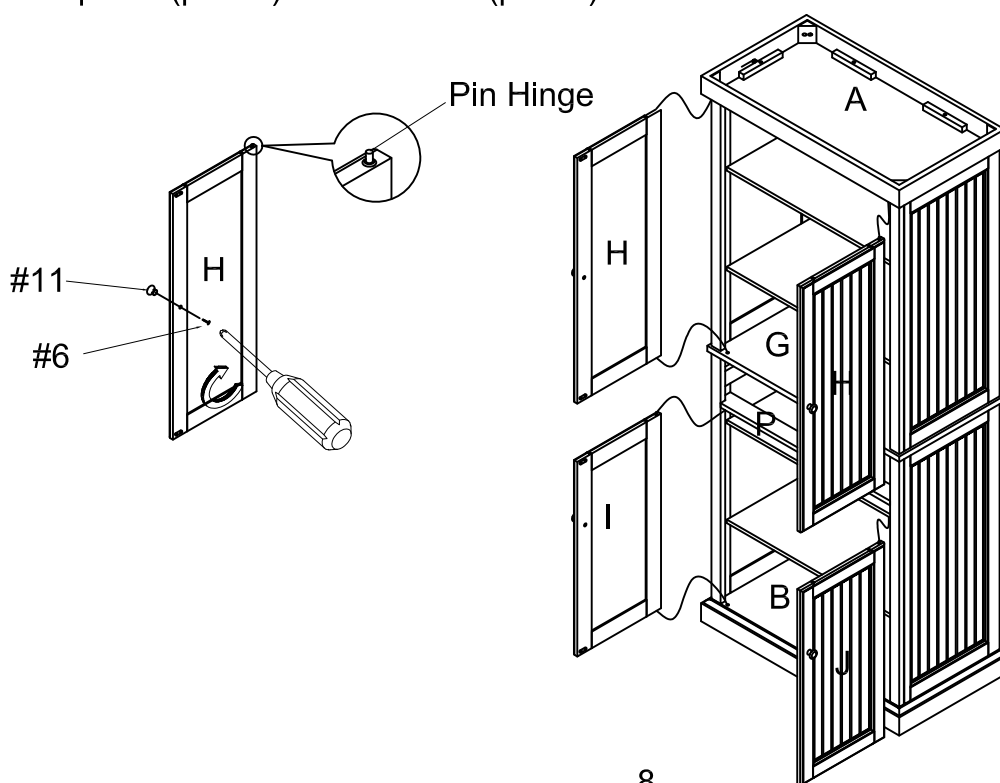


Step 8. Insert shelf holders (part #14) into desired position and then slide adjustable shelves (part Q) into place.




#14  x 16

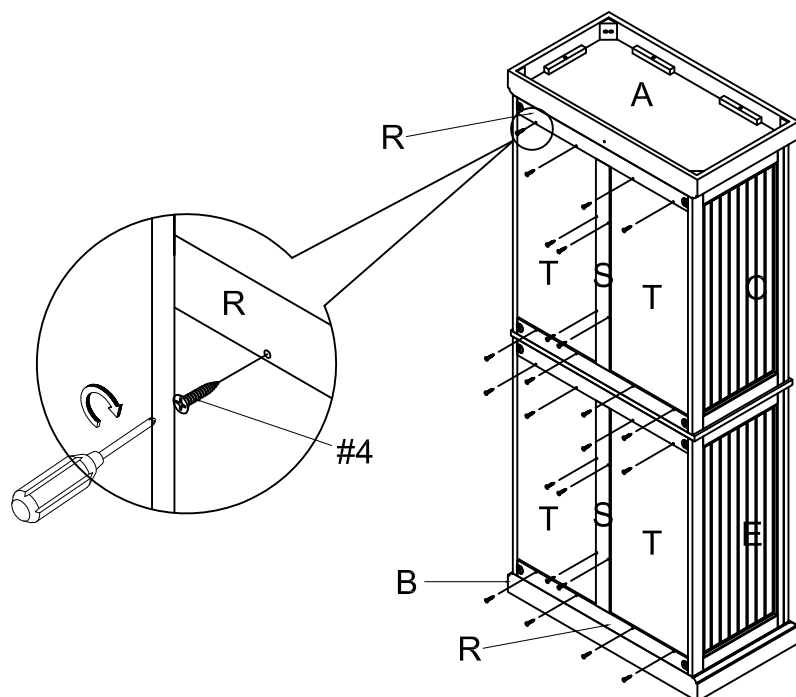
Step 9. Attach knobs (part #11) to doors (parts H, I & J) using knob bolts (parts #6) and phillips head screwdriver. Install doors (parts H, I & J) by placing bottom pin hinge (pre-installed in doors) into pre-drilled holes of middle shelf (part G) and bottom panel (part B). Then depressing the top spring-loaded pin hinge so it can be placed in pre-drilled holes of top panel (part A) and front rail (part P).



#6  x 4

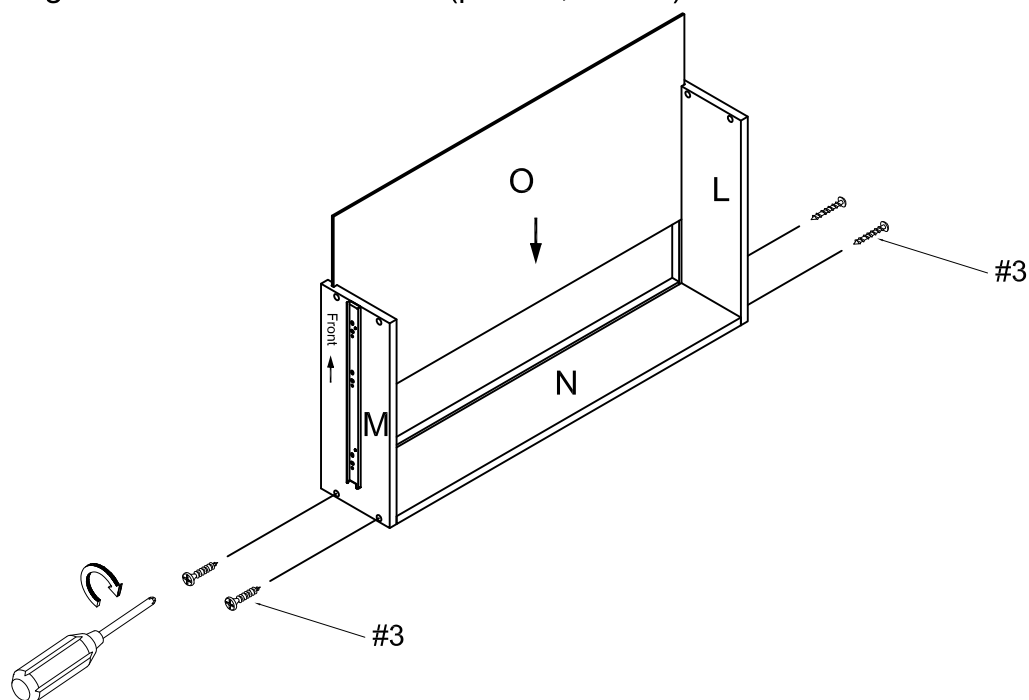
#11  x 4

Step 10. Fasten back rails (part R) and back partition rails (part S) to back panels (part T) using screws (part #4) and phillips head screwdriver.



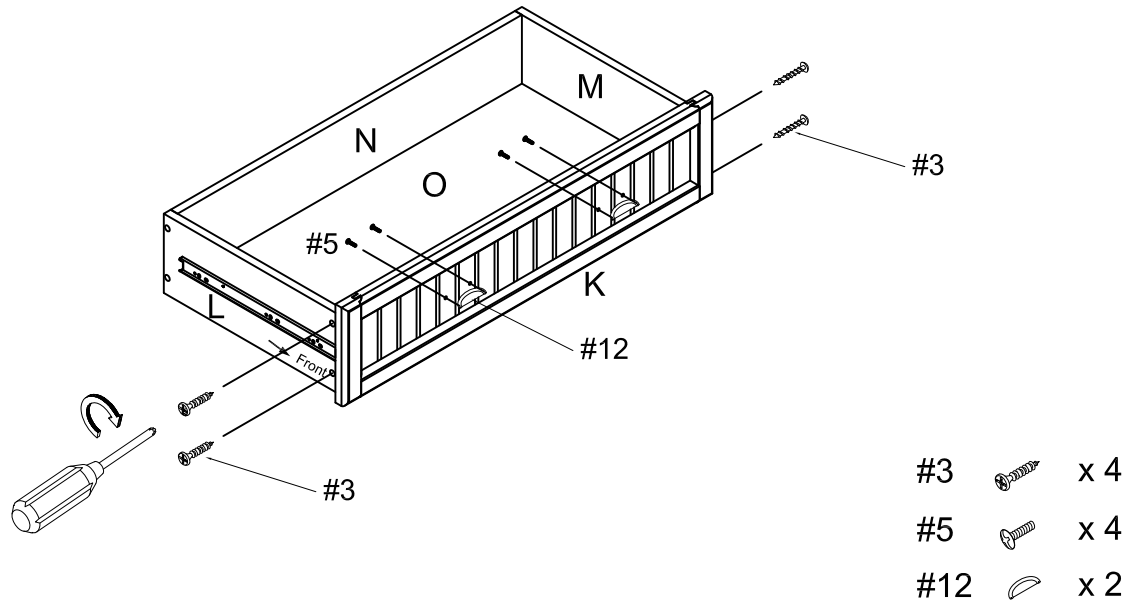
#4  x 24

Step 11. Attach drawer panels (parts L & M) to drawer back panel (part N) using long flat head screws (part #3) and phillips head screwdriver. Slide drawer bottom panel (part O) into grooves of assembled unit (parts L, M & N).



#3  x 4

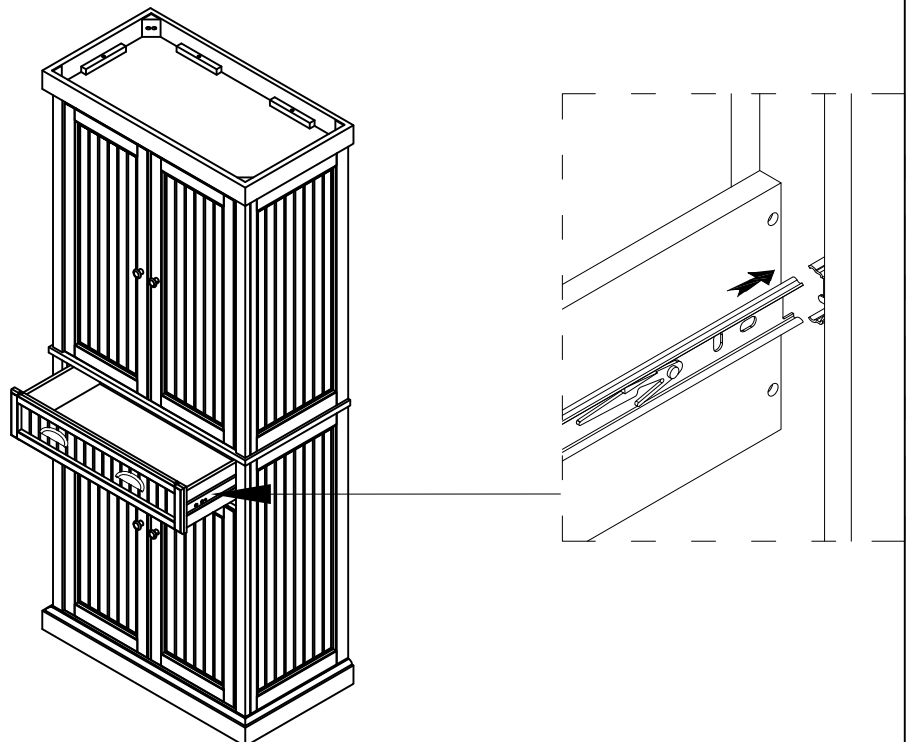
Step 12. Attach drawer front panel (part K) to assembled unit (parts L, M & O) using long flat head screws (part #3) and phillips head screwdriver. Attach handles (part #12) to drawer front panel (part K) using handle bolts (part #5) and phillips head screwdriver.


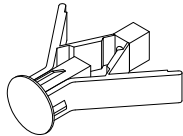

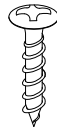

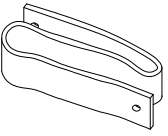


Step 13. Slide drawer into place.

Note: It is important to adjust levelers once fully assembled and upright. Extend adjustable leveler until it's firmly in contact with the floor. If relocating, adjust leveler as needed until it's firmly in contact with the floor in new location.

Important: Safety strap kit (part #16) must be installed to prevent tipping, damage and/or injury.



#16	A	B	C	D	E
					
Safety Strap Kit 1 SET	Wall Anchor 1 PC	Washer 2 PCS	Short Screw 1 PC D8 x 3/4"	Long Screw 1 PC D8 x 1-1/2"	Safety Wall Strap 1 PC

SAFETY WALL STRAP INSTALLATION

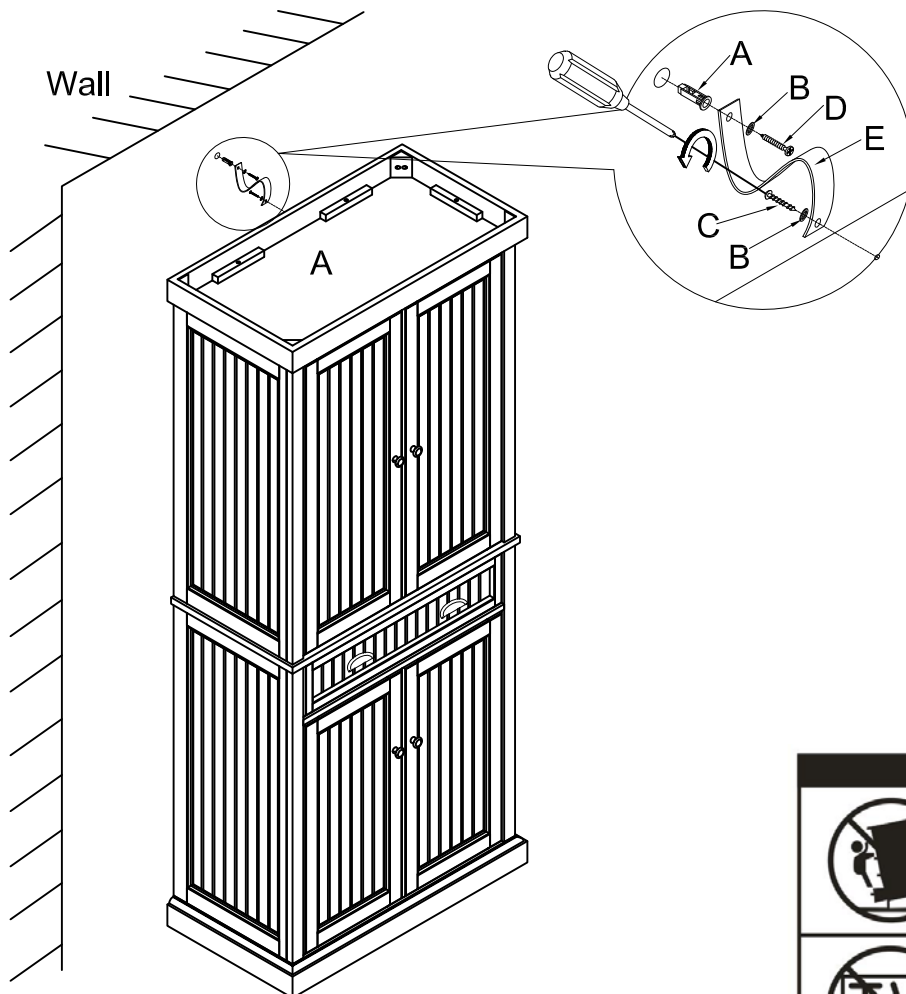
Note: It is highly recommended to install this safety strap kit to prevent tipping, damage and/or injury.

1) Insert short screw (C) through washer (B) and safety wall strap (E) and attach to top panel (part A) using phillips head screwdriver.

2) Drill a 11/32" (6mm) hole where you want to secure the unit. The drilled hole will be at the same height as the hole in top panel (part A) where safety wall strap (E) is attached. Tap wall anchor (A) into the hole.

3) Insert long screw (D) through washer (B) and safety wall strap (E) into wall anchor (A) using phillips head screwdriver.

Note: This item is not intended for clothing storage use.



▲ WARNING	
	<p>Children have died from furniture tipover. To reduce the risk of furniture tipover:</p> <ul style="list-style-type: none"> • ALWAYS install tipover restraint provided. • NEVER put a TV on this product. • NEVER allow children to stand, climb or hang on drawers, doors, or shelves. • NEVER open more than one drawer at a time. • Place heaviest items in the lowest drawers.
	<p><i>This is a permanent label. Do not remove!</i></p>