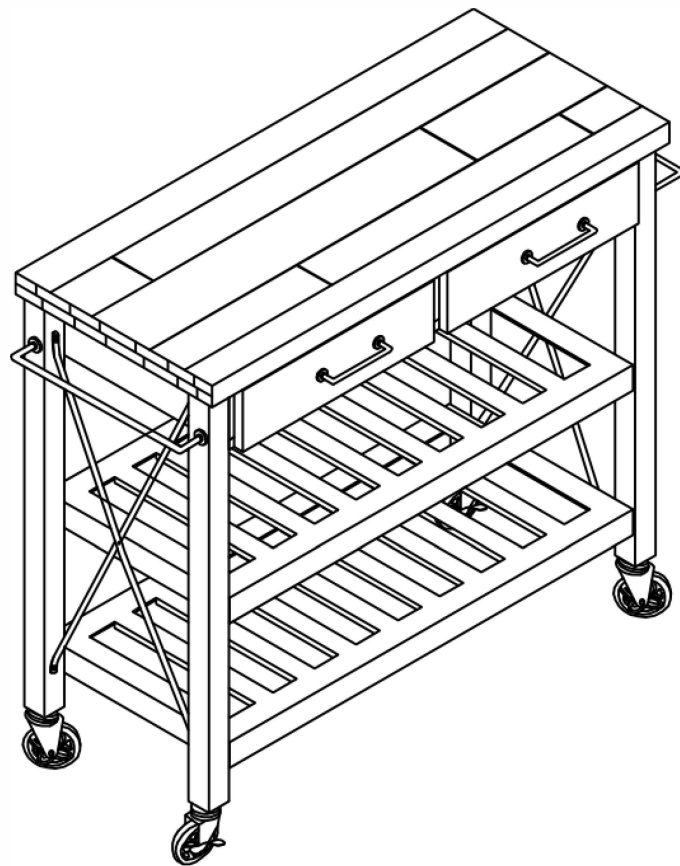


CROSLEY

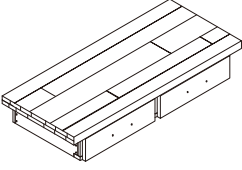
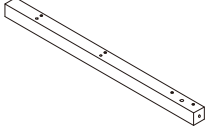
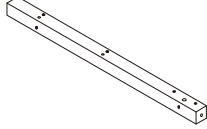
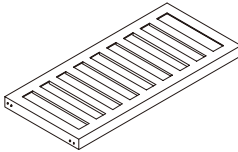
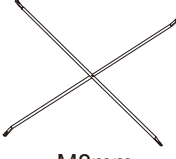

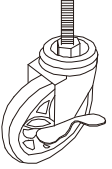
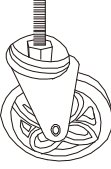
FURNITURE

Kitchen Cart

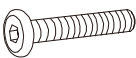
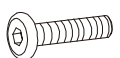


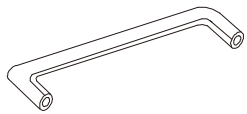

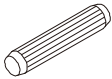

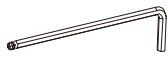
CF3008



PART LIST

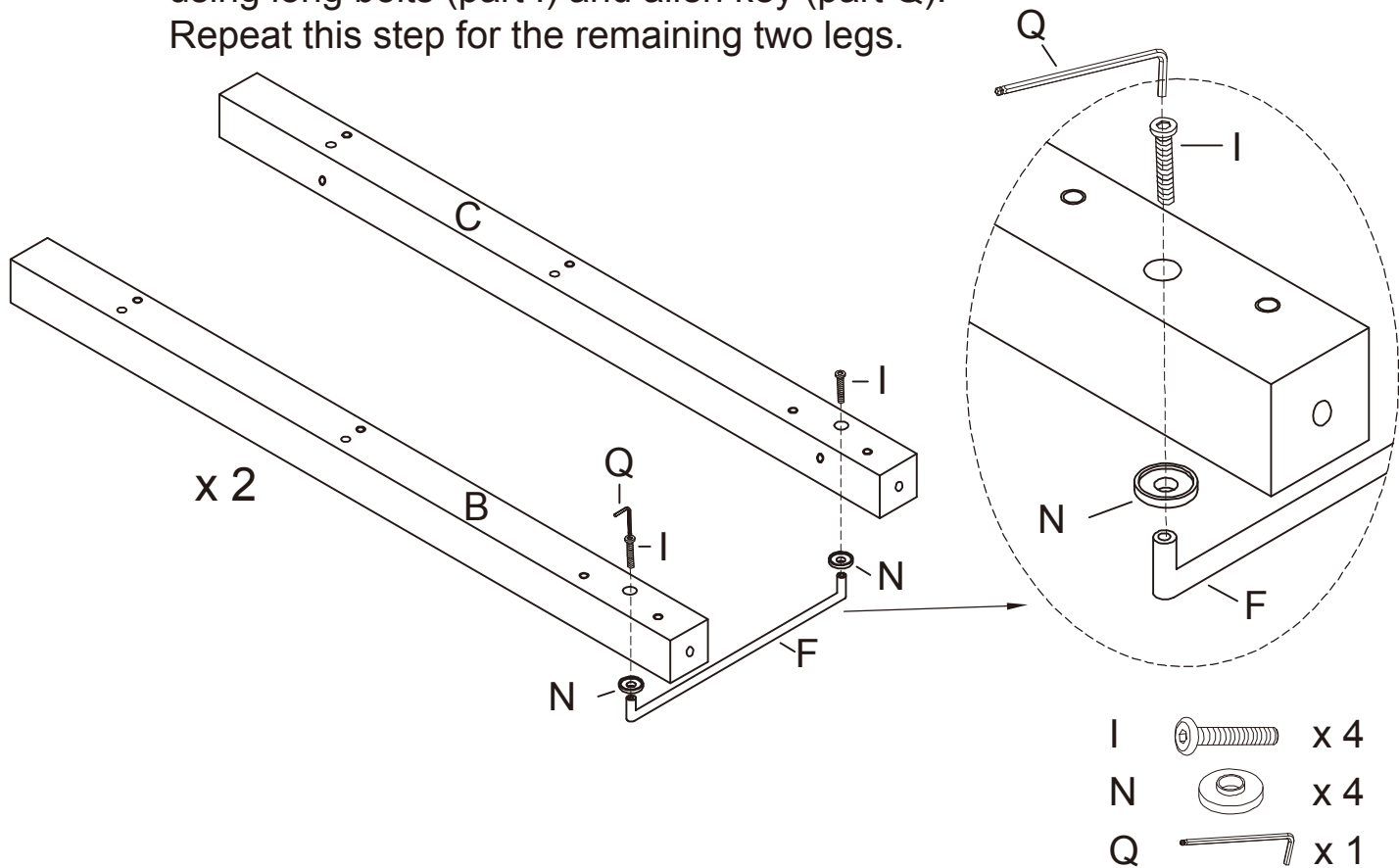
				 <p>M8mm</p>
<p>Top 1 PC</p>	<p>Left Diagonal Leg 2 PCS</p>	<p>Right Diagonal Leg 2 PCS</p>	<p>Shelf 2 PCS</p>	<p>Rod 2 PCS</p>
				
<p>Towel Bar 2 PCS</p>	<p>Locking Caster 2 PCS</p>	<p>Caster 2 PCS</p>		

HARDWARE LIST

 <p>φ1/4"x38mm</p>	 <p>φ1/4"x25mm</p>	 <p>M6mm</p>	 <p>M6mm</p>	
<p>Long Bolt 4 PCS</p>	<p>Short Bolt 28 PCS</p>	<p>Flat Washer 16 PCS</p>	<p>Spring Washer 16 PCS</p>	<p>Drawer Handle 2 PCS</p>
 <p>M6mm</p>	 <p>M8mm</p>	 <p>M17mm</p>	 <p>M4mm</p>	
<p>Handle Washer 8 PCS</p>	<p>Wood Dowel 12 PCS</p>	<p>Wrench 1 PC</p>	<p>Allen Key 1 PC</p>	

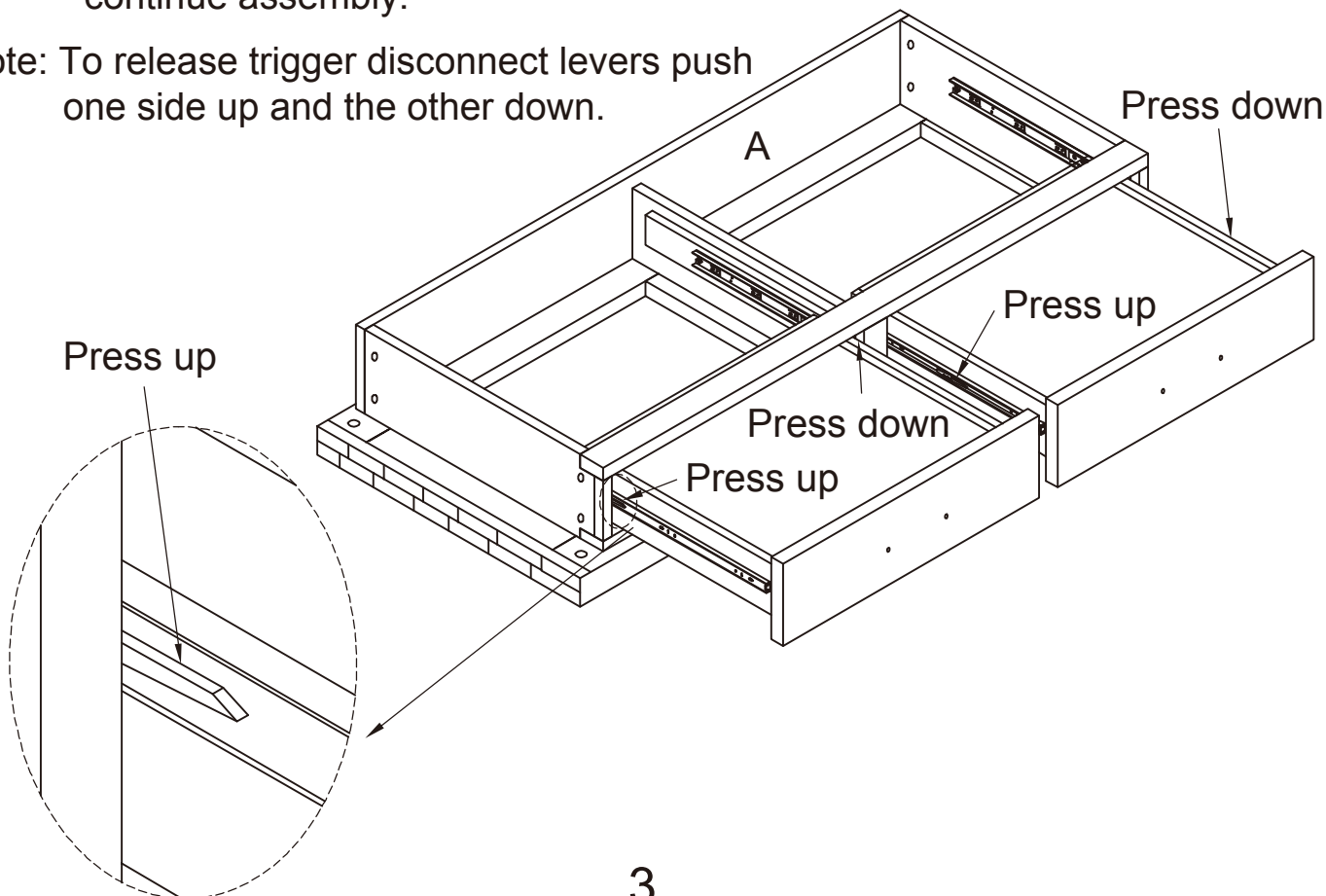
Note: Wood dowels are intended for alignment. Additional clearance between wood dowel and pre-drilled hole is intentional for ease of assembly.

Step 1. Attach towel bar (part F) and handle washer (part N) to legs (parts B & C) using long bolts (part I) and allen key (part Q). Repeat this step for the remaining two legs.

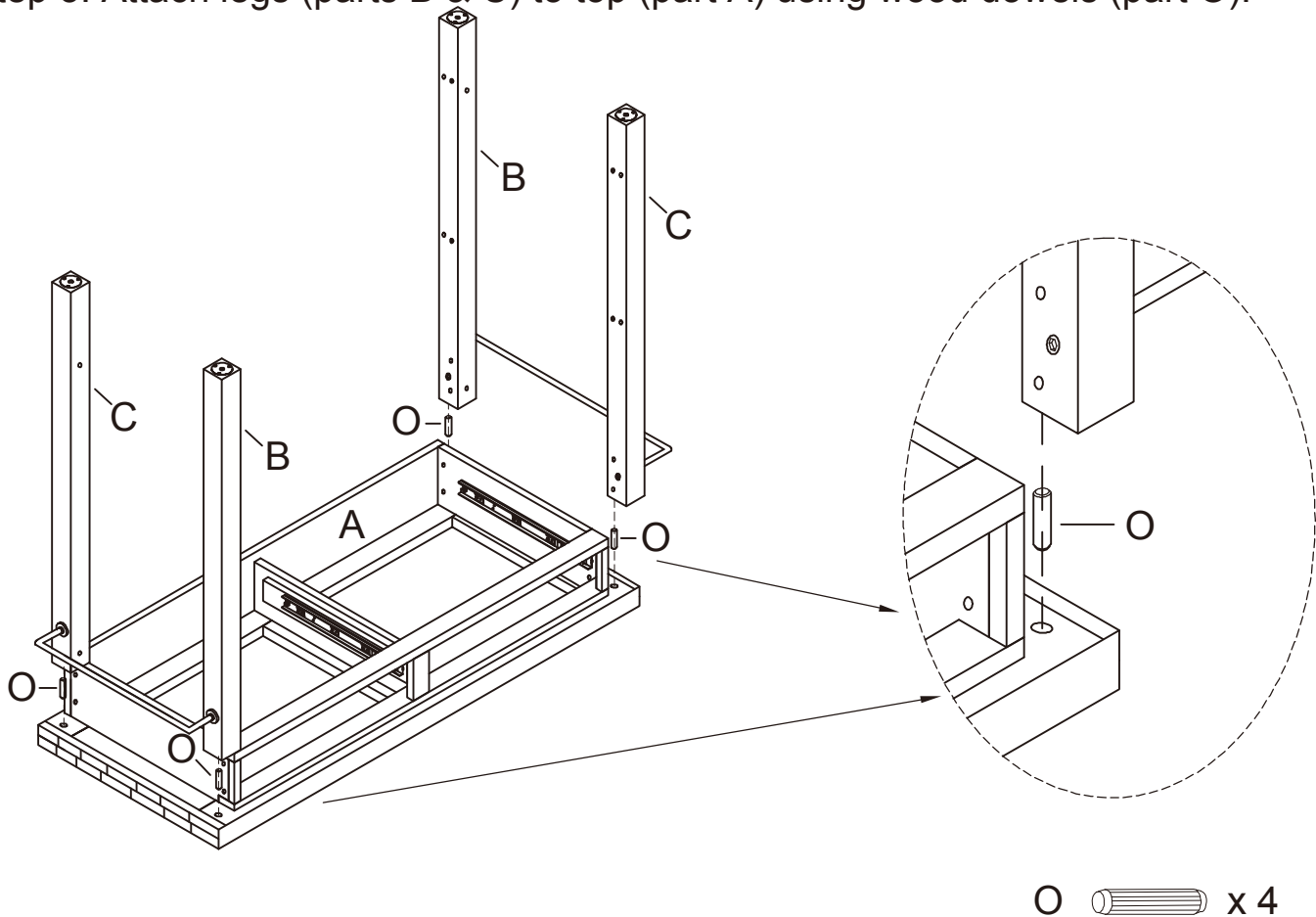


Step 2. Place top (part A) upside down on a flat surface. Remove drawers to continue assembly.

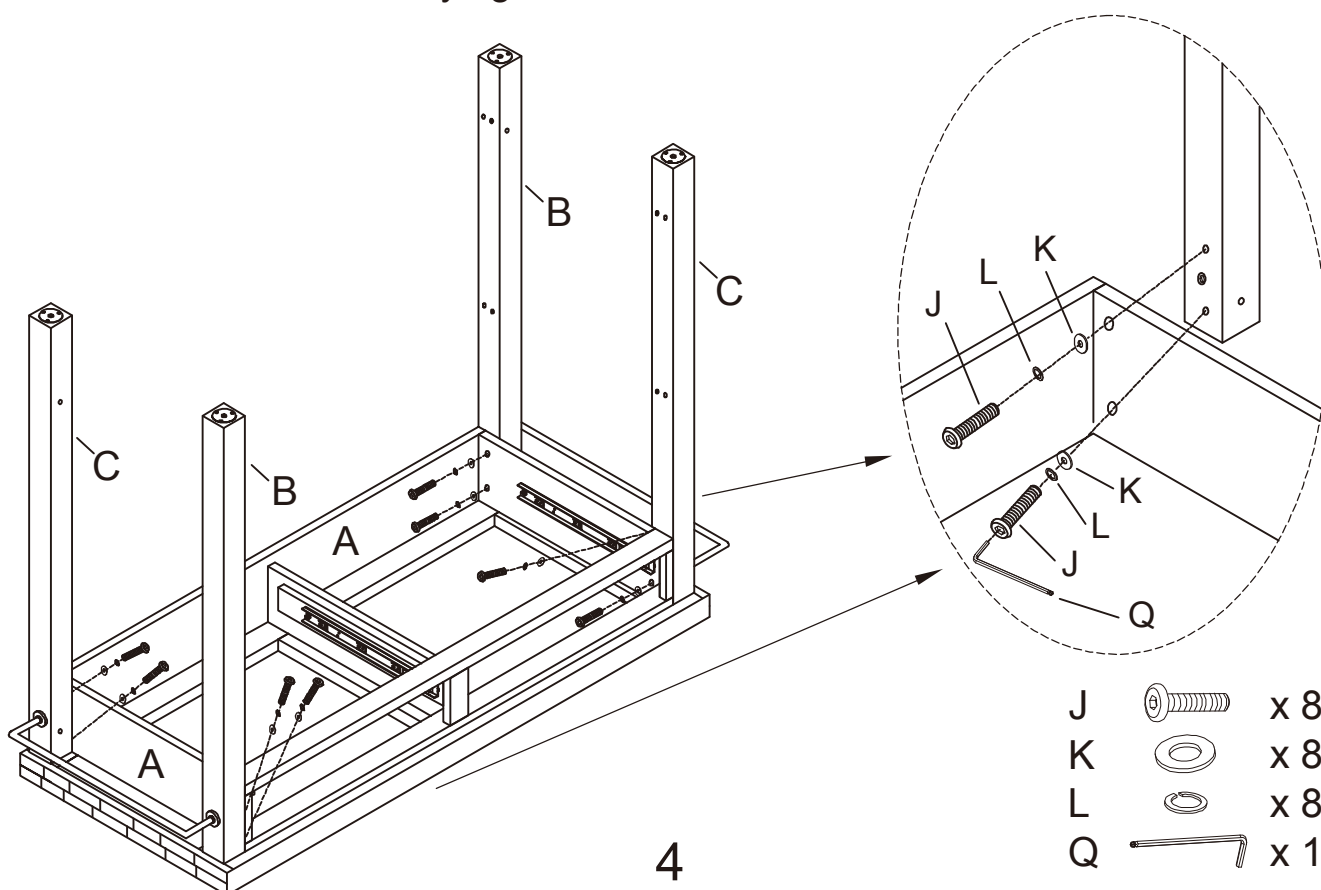
Note: To release trigger disconnect levers push one side up and the other down.



Step 3. Attach legs (parts B & C) to top (part A) using wood dowels (part O).



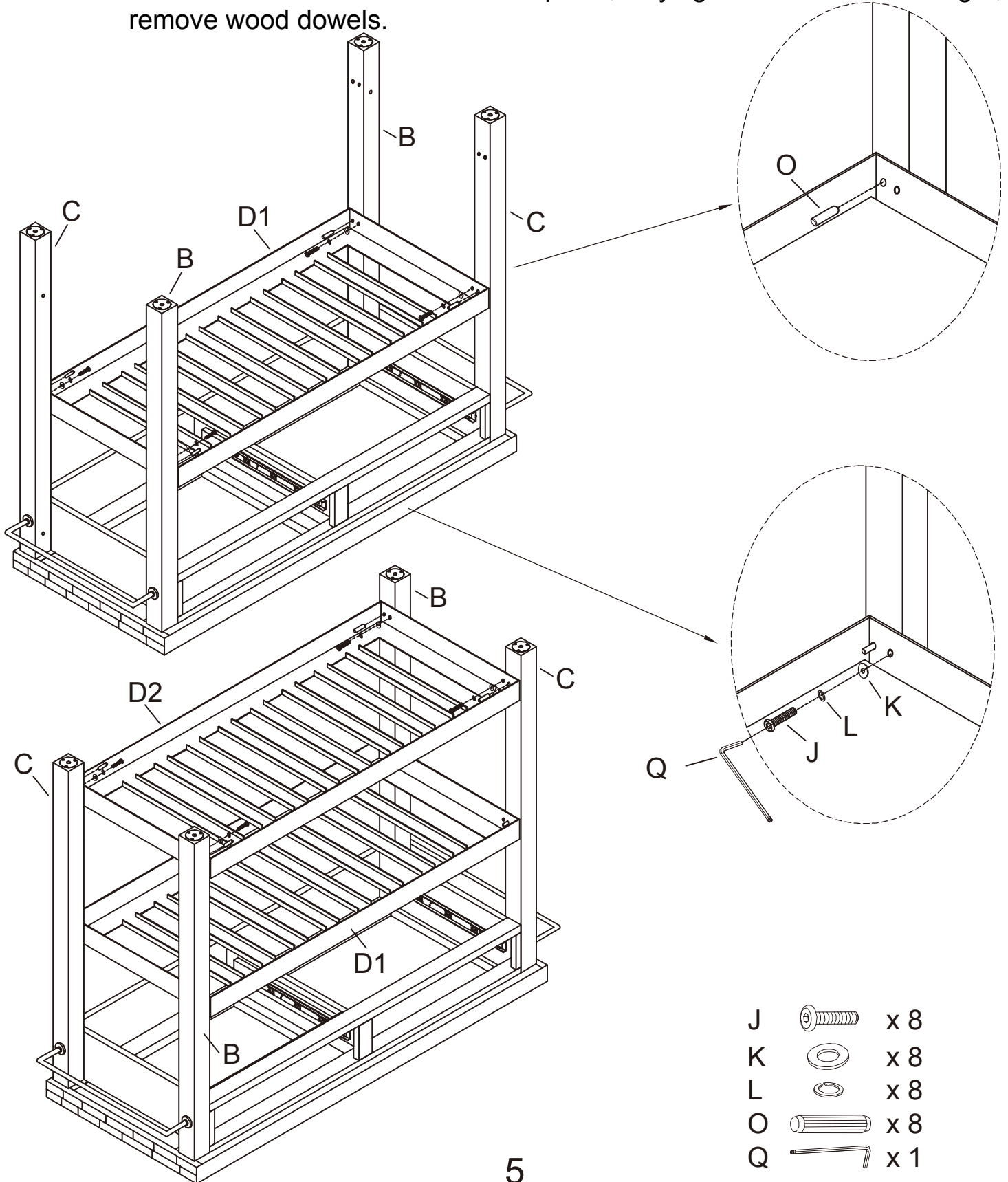
Step 4. Secure legs (parts B & C) to top (part A) using flat washers (part K), spring washers (part L), short bolt (part J) and allen key (part Q).
 NOTE: Do not fully tighten bolts at this time.



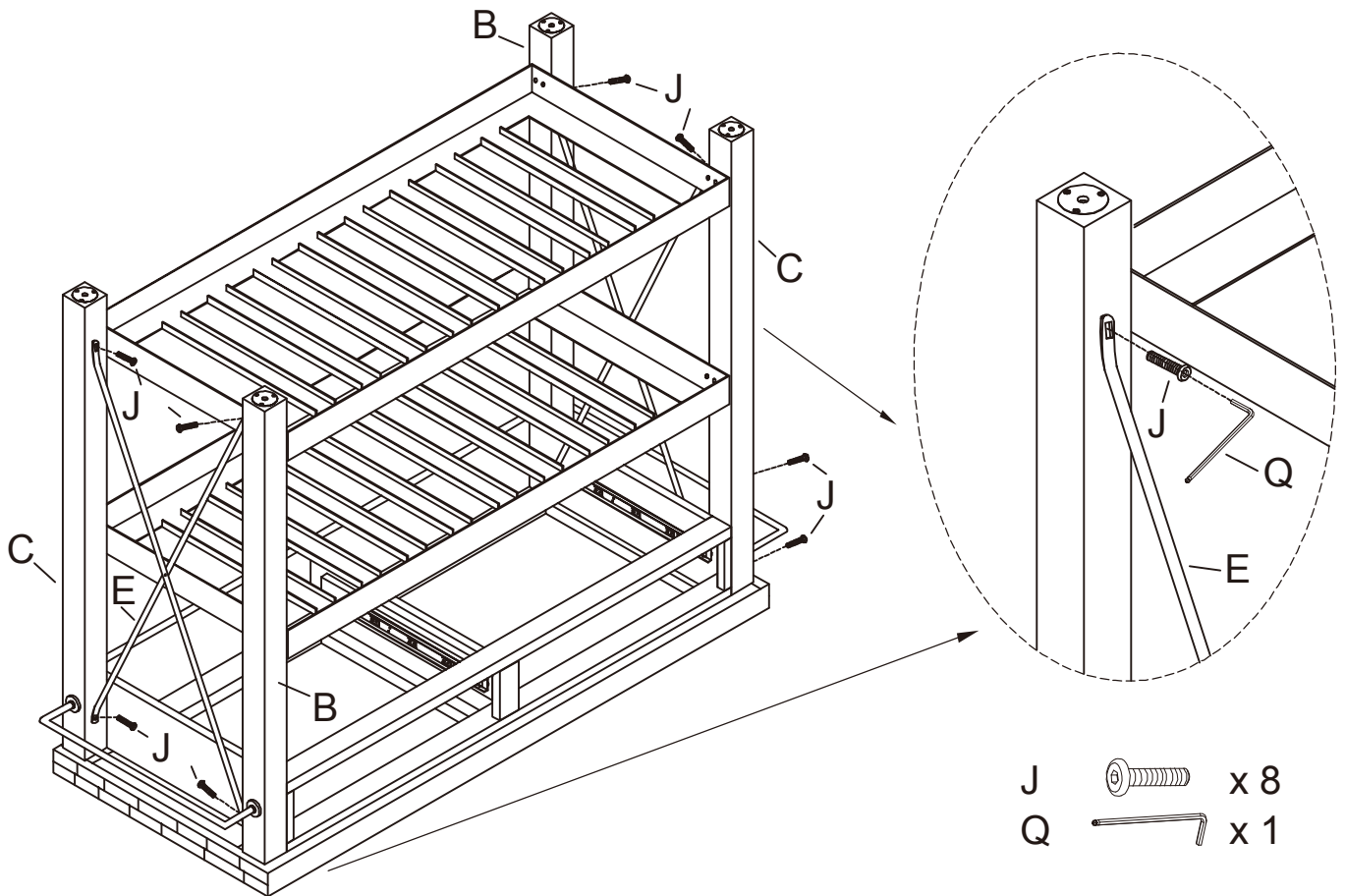
Step 5. Align shelf (part D1) with legs (parts B & C) as shown below. Insert wood dowels (part O) through the outer holes in shelf (part D1) into legs (parts B & C) to hold shelf in place. Secure using flat washers (part K), spring washers (part L), short bolts (part J) and allen key (part Q).

NOTE 1: Do not fully tighten bolts at this time. Repeat step to install shelf (part D2).

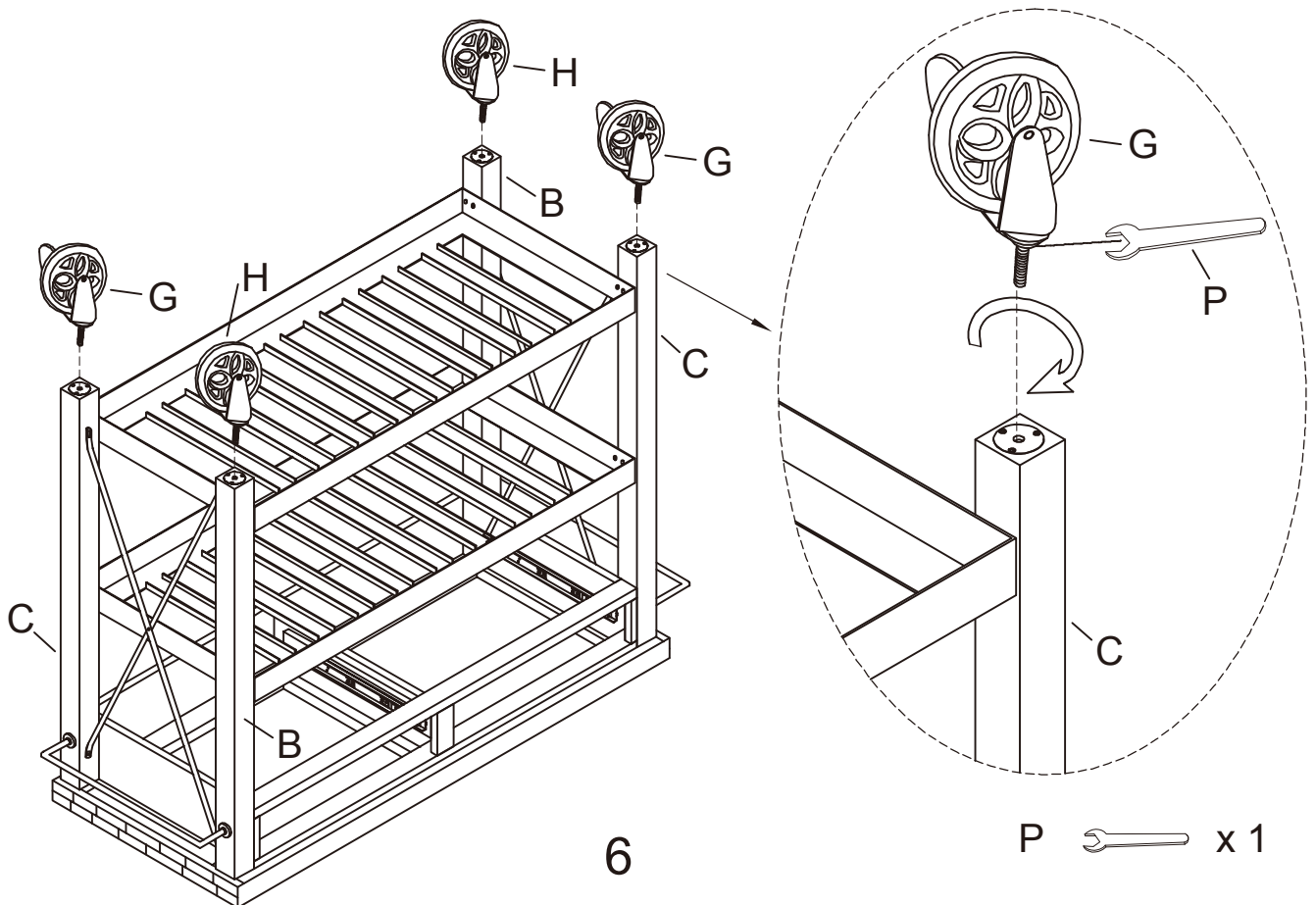
NOTE 2: Once both shelves are in place, fully tighten all bolts. Once tight, remove wood dowels.



Step 6. Attach rods (part E) to legs (parts B & C) using short bolts (part J) and allen key (part Q).

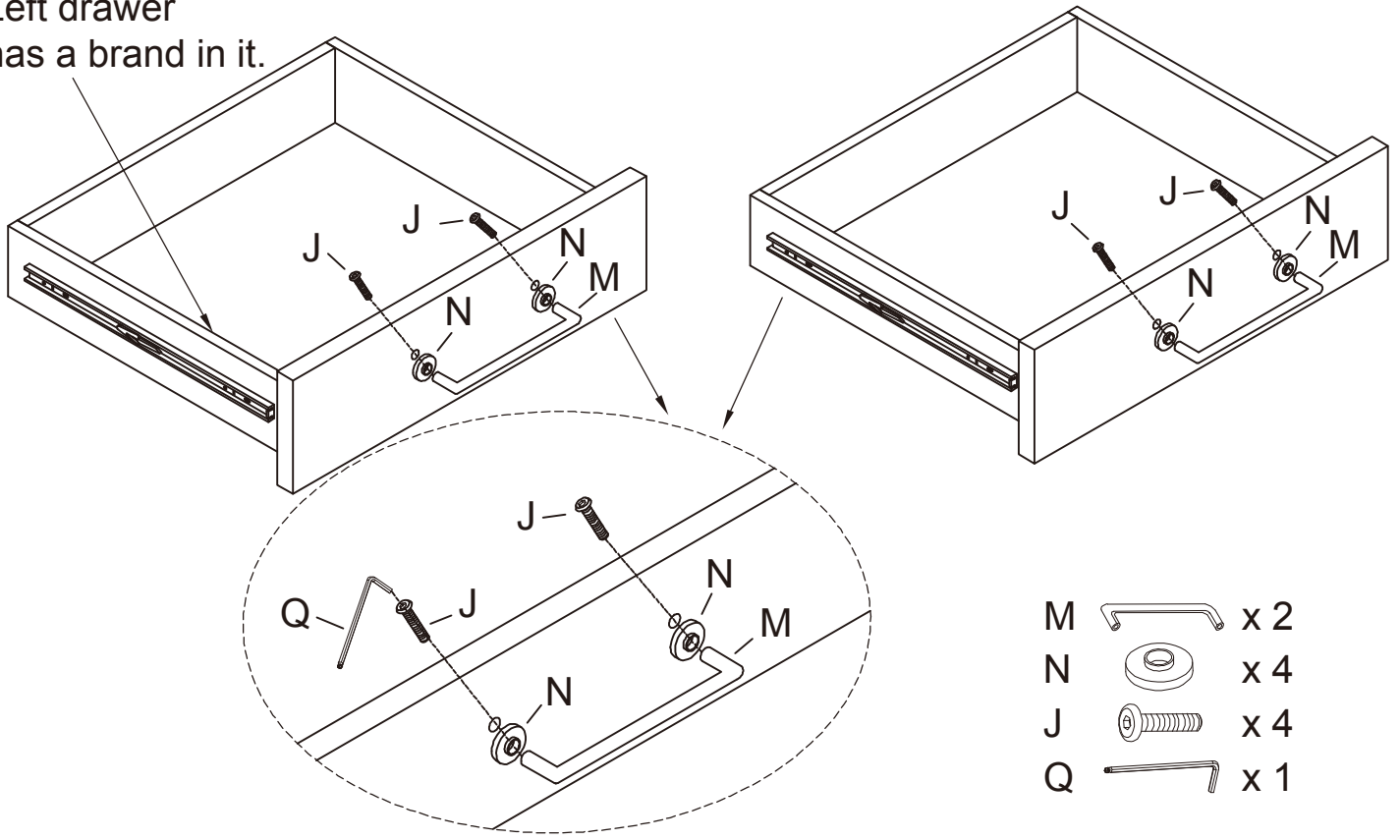


Step 7. Attach casters (parts G & H) using wrench (part P).



Step 8. Attach drawer handles (part M) and handle washers (part N) to assembled drawers using short bolts (part J) and allen key (part Q).

Left drawer has a brand in it.



Step 9. Carefully turn unit upright. Insert drawers into cabinet.

