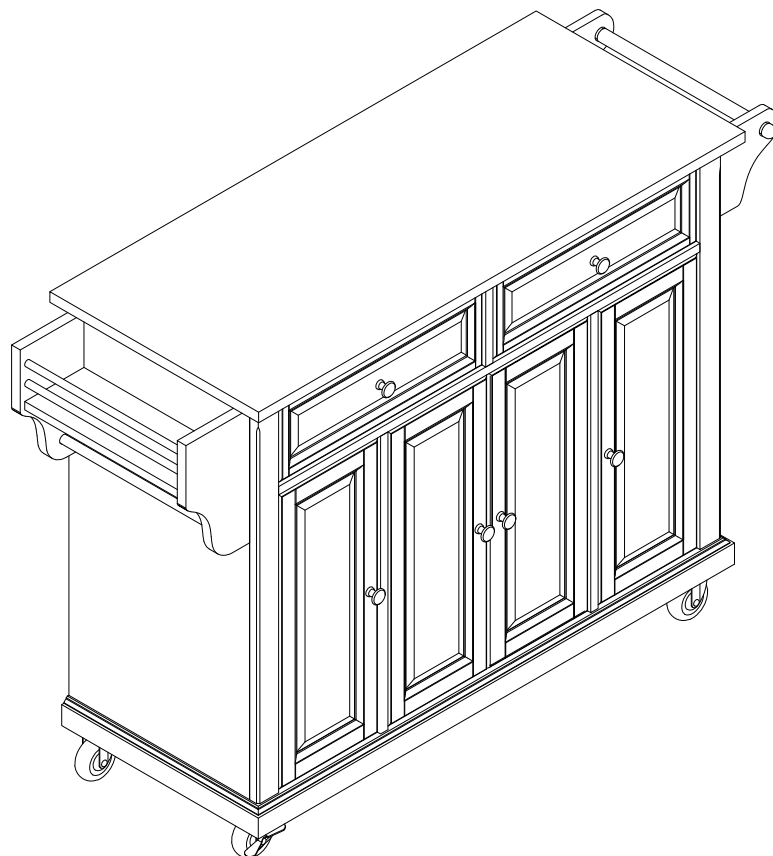
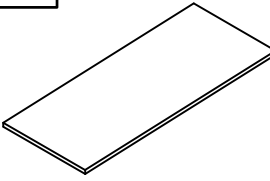
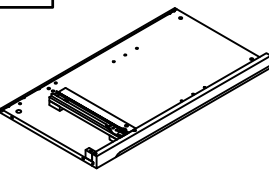
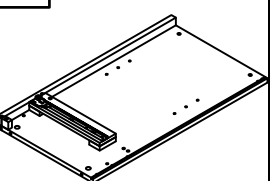
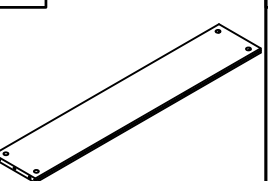
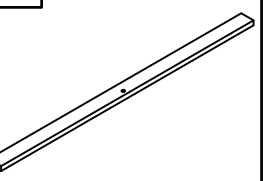
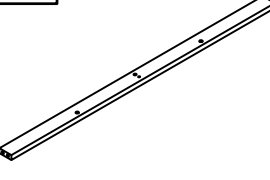
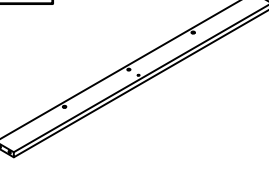
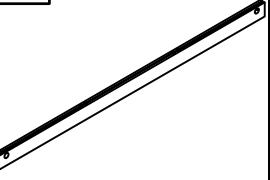
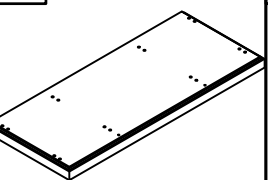
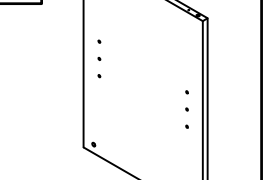
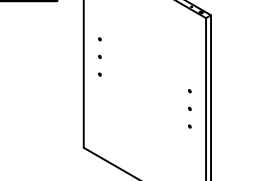
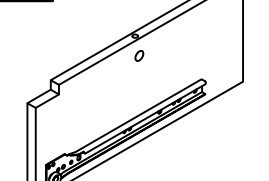
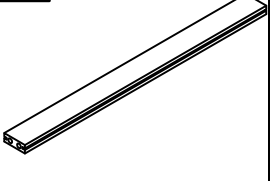
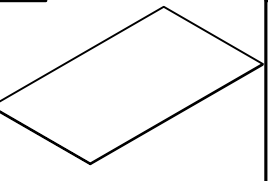
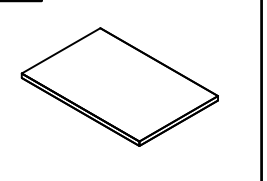
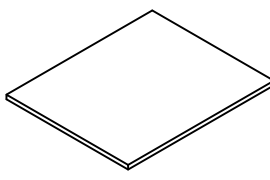
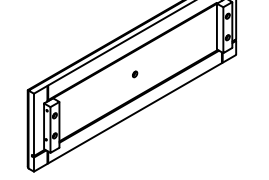
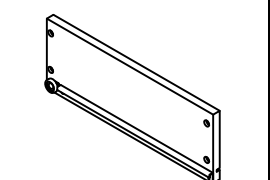
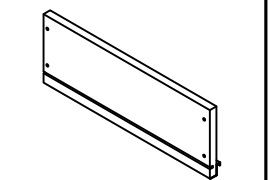
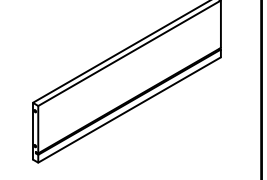
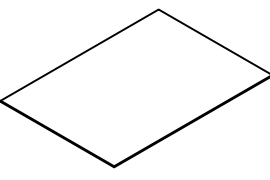
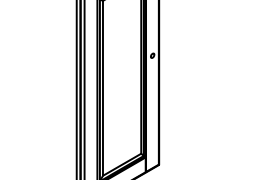
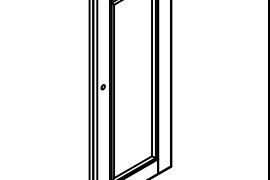
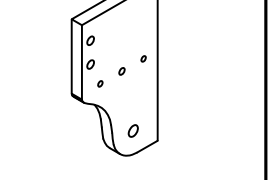
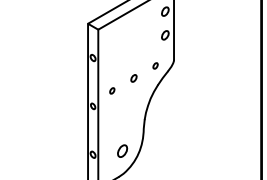




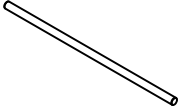
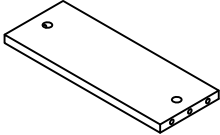
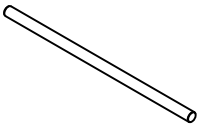

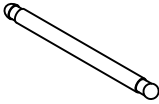
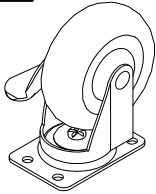
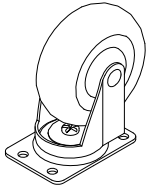
Kitchen Cart / Island
CF3001



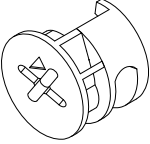
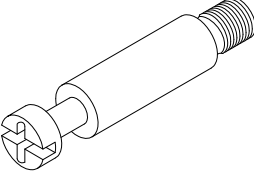
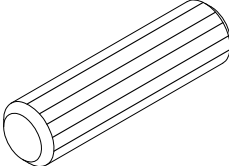
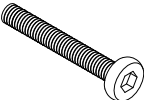

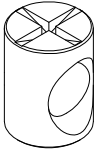
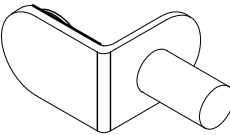
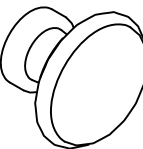
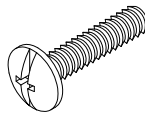
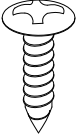
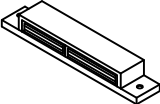
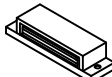

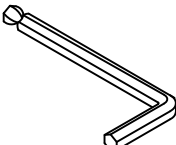

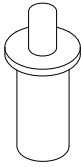
PART LIST

<p>A</p>  <p>(Ships Separately)</p>	<p>B</p> 	<p>C</p> 	<p>D</p> 	<p>E</p> 
<p>Top Panel 1 PC</p>	<p>Left Panel 1 PC</p>	<p>Right Panel 1 PC</p>	<p>Back Top Panel 1 PC</p>	<p>Front Top Rail 1 PC</p>
<p>F</p> 	<p>G</p> 	<p>H</p> 	<p>I</p> 	<p>J</p> 
<p>Back Top Rail 1 PC</p>	<p>Front Middle Rail 1 PC</p>	<p>Back Bottom Rail 1 PC</p>	<p>Bottom Panel 1 PC</p>	<p>Left Partition Panel 1 PC</p>
<p>K</p> 	<p>L</p> 	<p>M</p> 	<p>N</p> 	<p>O</p> 
<p>Right Partition Panel 1 PC</p>	<p>Top Vertical Panel 1 PC</p>	<p>Back Partition Panel 2 PCS</p>	<p>Back Panel 3 PCS</p>	<p>Adjustable Shelf 2 PCS</p>
<p>P</p> 	<p>Q</p> 	<p>R</p> 	<p>S</p> 	<p>T</p> 
<p>Middle Adjustable Shelf 1 PC</p>	<p>Drawer Front Panel 2 PCS</p>	<p>Drawer Left Panel 2 PCS</p>	<p>Drawer Right Panel 2 PCS</p>	<p>Drawer Back Panel 2 PCS</p>
<p>U</p> 	<p>V</p> 	<p>W</p> 	<p>X</p> 	<p>Y</p> 
<p>Drawer Bottom Panel 2 PCS</p>	<p>Left Door Panel 2 PCS</p>	<p>Right Door Panel 2 PCS</p>	<p>Towel Bar Left Panel 1 PC</p>	<p>Towel Bar Right Panel 1 PC</p>

PART LIST

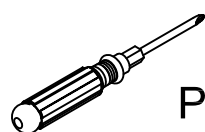
				
<p>Support Bar 2 PCS</p>	<p>Support Panel 1 PC</p>	<p>Towel Bar 1 PC</p>	<p>Small Towel Bar Panel 2 PCS</p>	<p>Small Towel Bar 1 PC</p>
				
<p>Locking Caster 2 PCS</p>	<p>Caster 2 PCS</p>			

HARDWARE LIST

<p>#1</p> 	<p>#2</p> 	<p>#3</p> 	<p>#4</p>  <p>2"×Ø1/4"×D11mm</p>	<p>#5</p> 
<p>Cam Lock 19 PCS (Extra 2)</p>	<p>Cam Bolt 19 PCS</p>	<p>Wood Dowel 47 PCS</p>	<p>Long Bolt 14 PCS</p>	<p>Screw 16 PCS (Extra 1)</p>
<p>#6</p> 	<p>#7</p> 	<p>#8</p> 	<p>#9</p> 	<p>#10</p> 
<p>Barrel Nut 8 PCS</p>	<p>Shelf Holder 12 PCS</p>	<p>Knob 6 PCS</p>	<p>Round Head Bolt 6 PCS</p>	<p>Large Round Head Screw 16 PCS (Extra 1)</p>
<p>#11</p> 	<p>#12</p> 	<p>#13</p> 	<p>#14</p> 	<p>#15</p> 
<p>Double Magnet 1 PC</p>	<p>Magnet 2 PCS</p>	<p>Round Head Screw 6 PCS (Extra 1)</p>	<p>Allen Wrench 1 PC</p>	<p>Long Screw 7 PCS (Extra 1)</p>
 <p>(Spare Part) Pin Hinge (Extra 4)</p>				

ADDITIONAL TOOLS (Not Provided)

Note: It is not recommended to use power tools during assembly.

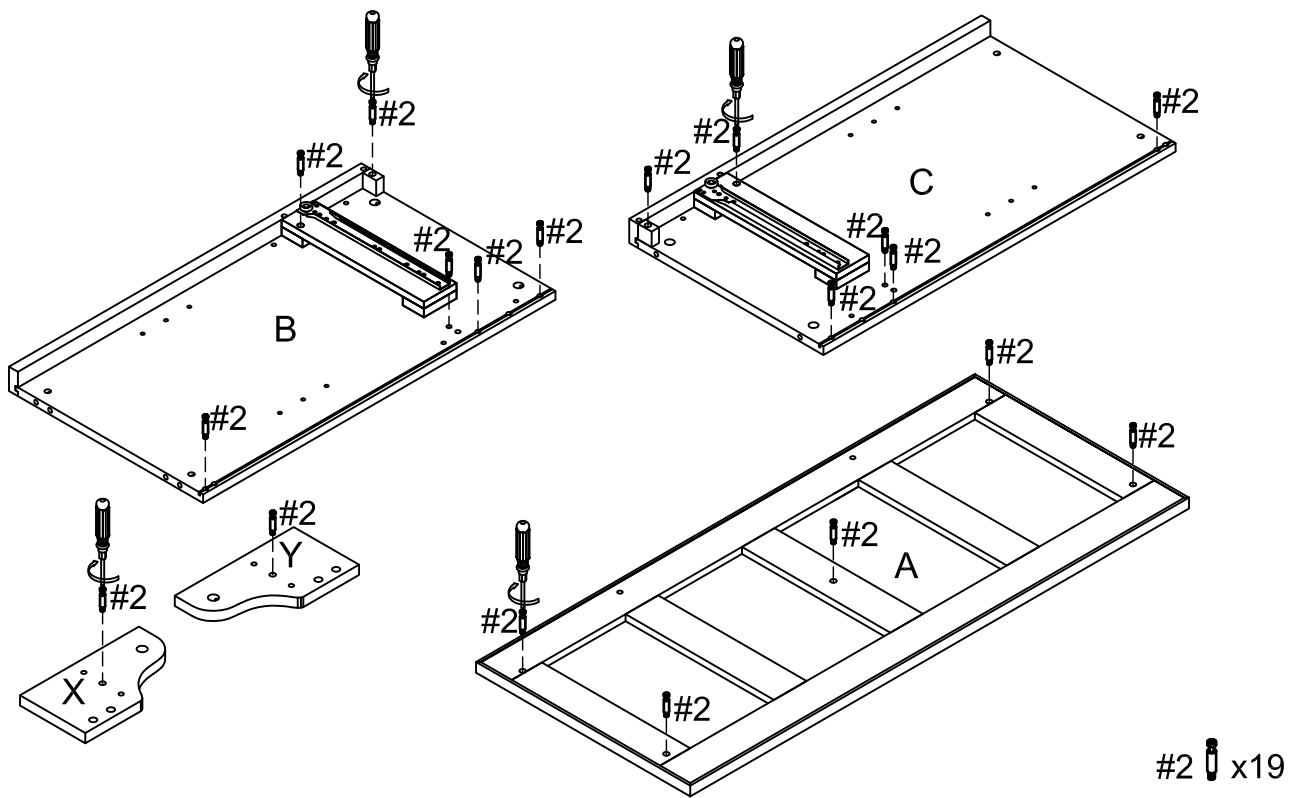


Phillips Head Screwdriver

Note: Wood dowels are intended for alignment. Additional clearance between wood dowel and pre-drilled hole is intentional for ease of assembly.

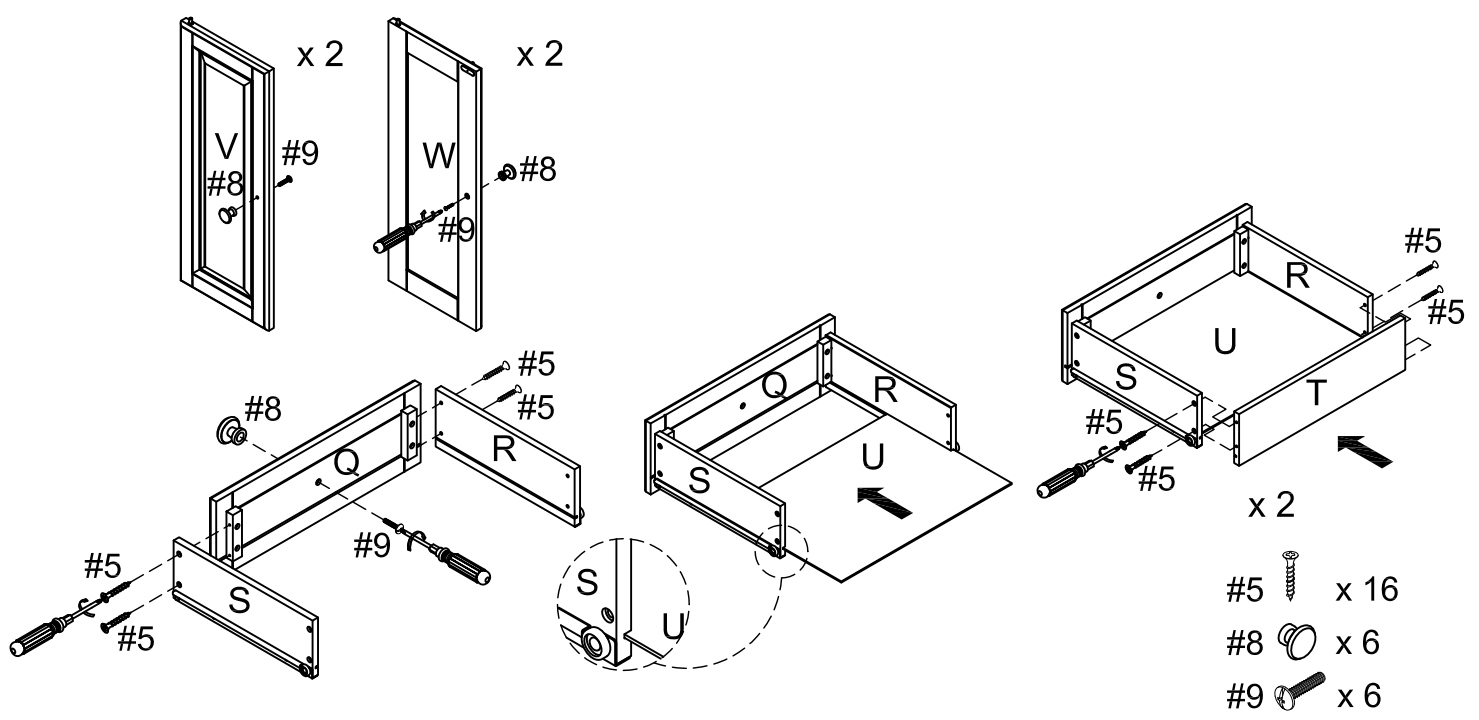
Step 1. Insert cam bolts (part #2) into top panel (part A), left panel (part B), right panel (part C), towel bar left panel (part X) and towel bar right panel (part Y) using phillips head screwdriver.

NOTE: Do not overtighten cam bolts. Stop tightening once threads on cam bolt are no longer visible.



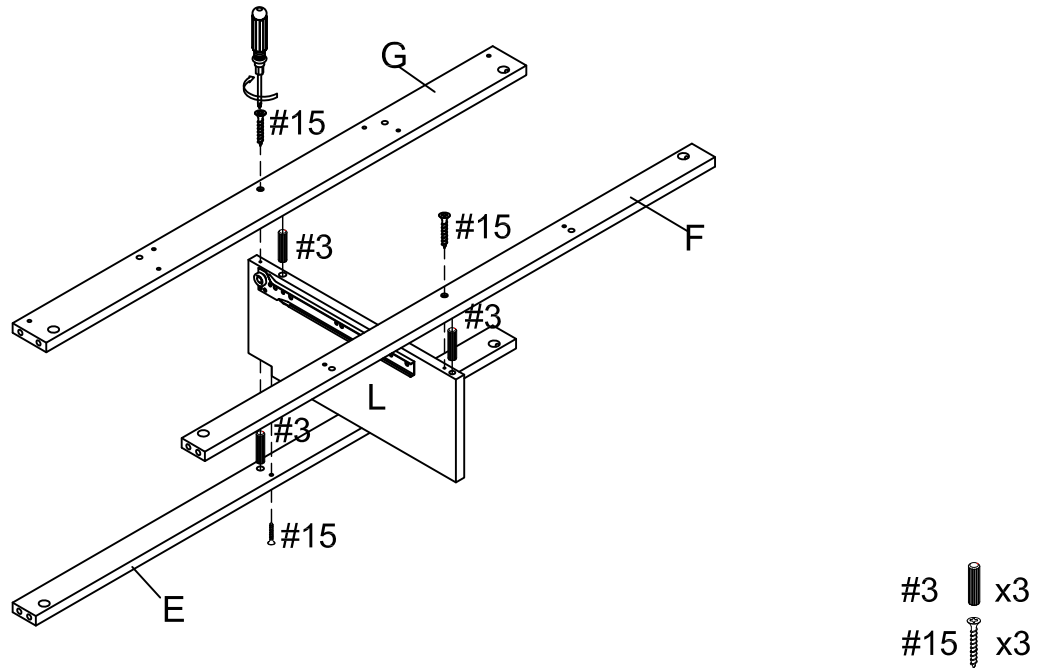
Step 2. Attach knobs (part #8) to drawer front panels (part Q), left door panels (part V) and right door panels (part W) using round head bolts (part #9) and phillips head screwdriver. Attach drawer left panel (part R) and drawer right panel (part S) to drawer front panel (part Q) using screws (part #5) and phillips head screwdriver. Slide drawer bottom panel (part U) into grooves of assembled unit (parts Q, R & S). Attach drawer back panel (part T) to assembled unit (parts R, S & U) using screws (part #5) and phillips head screwdriver. Repeat for remaining drawer.

NOTE: Be sure drawer glide wheels are facing back panel.



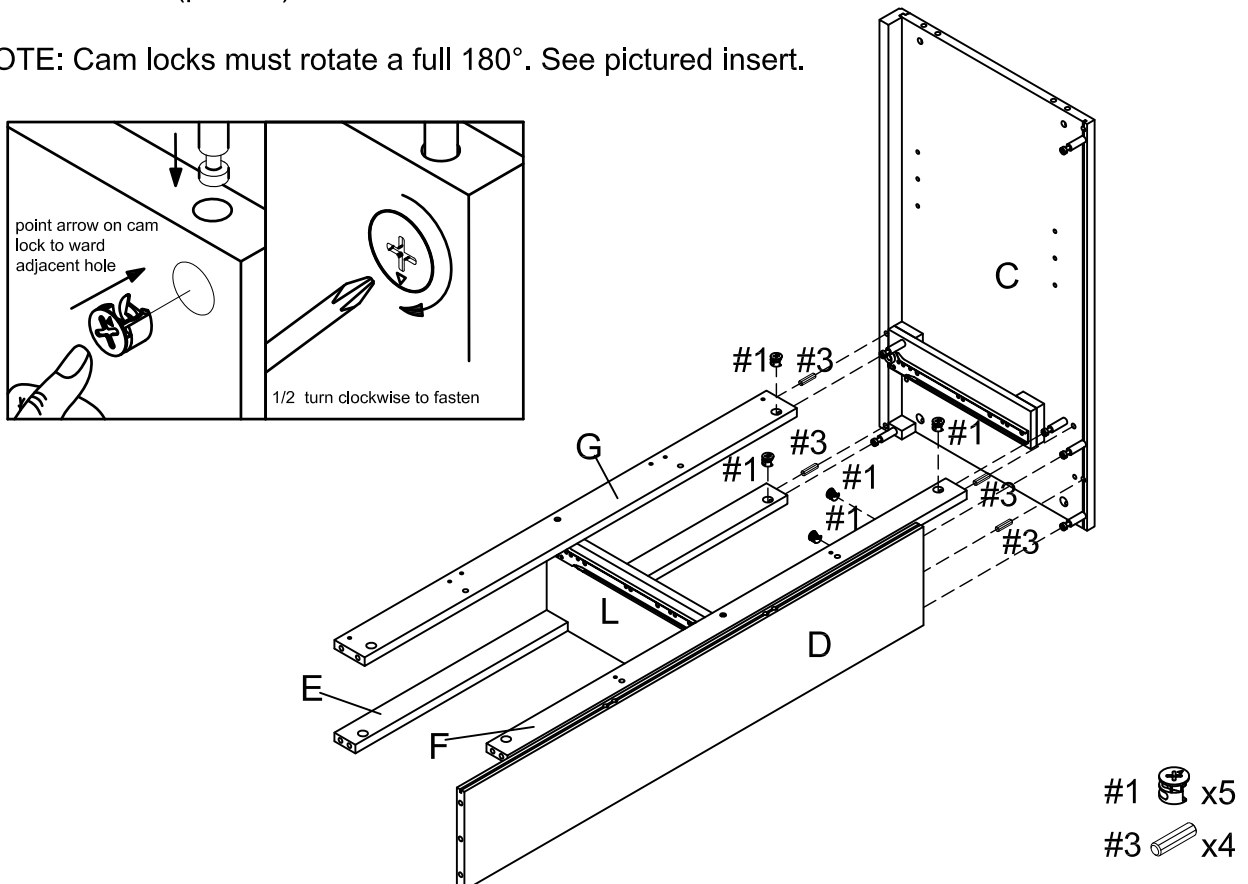
Step 3. Attach front top rail (part E) to top vertical panel (part L) using wood dowel (part #3), long screw (part #15) and phillips head screwdriver. With front top rail (part E) flat on ground, attach front middle rail (part G) and back top rail (part F) to top vertical panel (part L) using wood dowels (part #3), long screws (part #15) and phillips head screwdriver.

NOTE: Please ensure screws are aligned with the pre-drilled holes in top vertical panel (part L) before tightening.

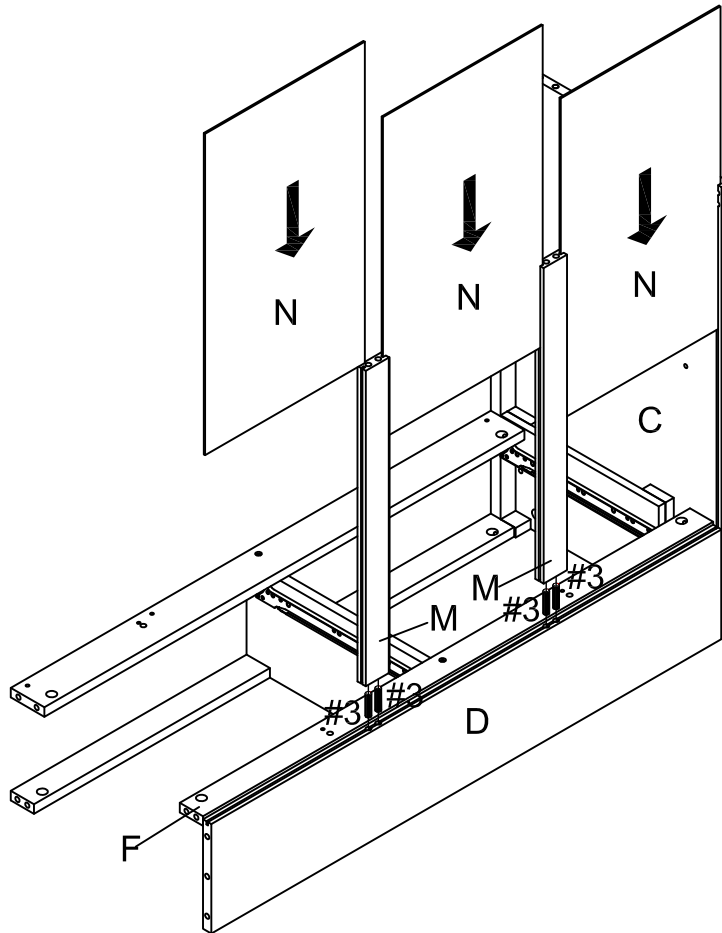


Step 4. Attach assembled unit (parts E, F, G & L) to right panel (part C) using wood dowels (part #3) and cam locks (part #1). Attach back top panel (part D) to right panel (part C) using wood dowel (part #3) and cam locks (part #1).

NOTE: Cam locks must rotate a full 180°. See pictured insert.



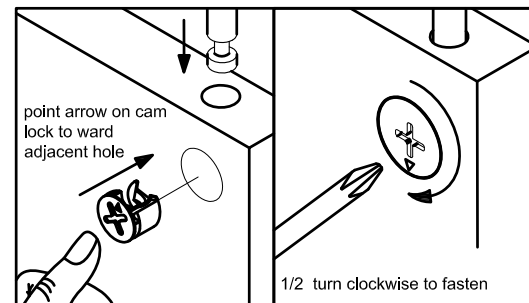
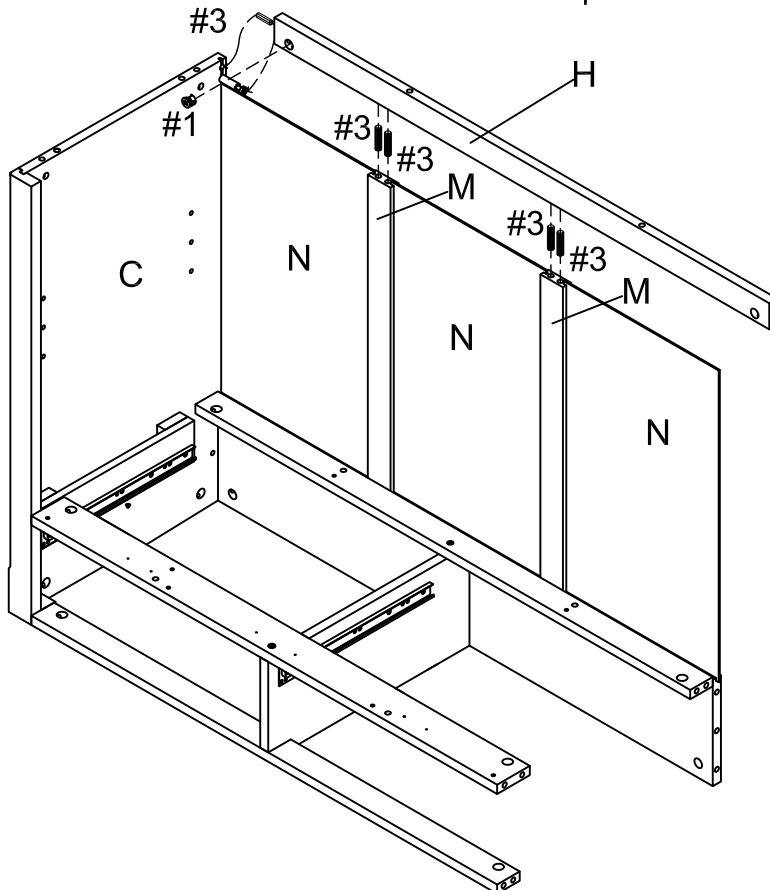
Step 5. Attach back partition panels (part M) to back top panel (part D) using wood dowels (part #3). Slide back panels (part N) into grooves of right panel (part C), back top panel (part D) and back partition panels (part M).



#3  x4

Step 6. Attach back bottom rail (part H) to back partition panels (part M), back panels (part N) and right panel (part C) using wood dowels (part #3) and cam lock (part #1).

NOTE: Cam locks must rotate a full 180°. See pictured insert.

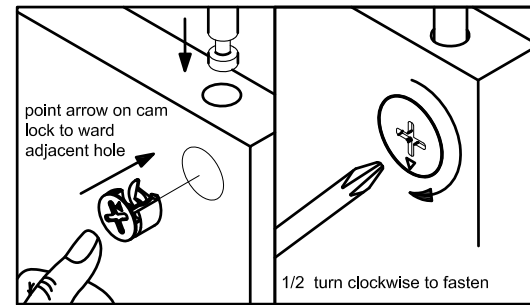
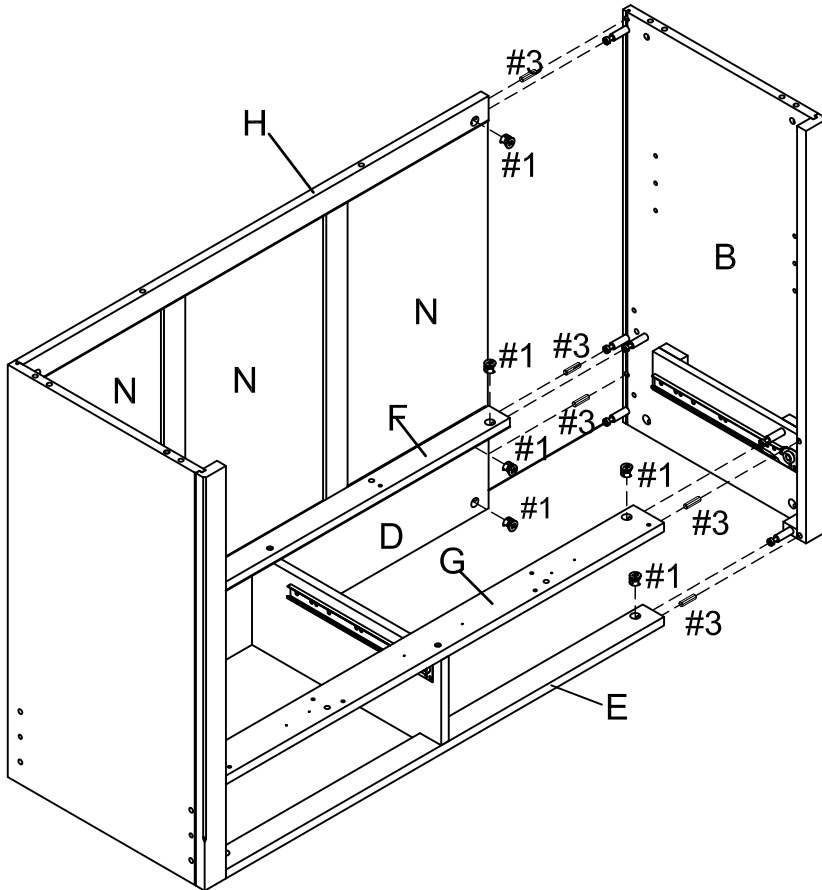




#1  x1

#3  x5

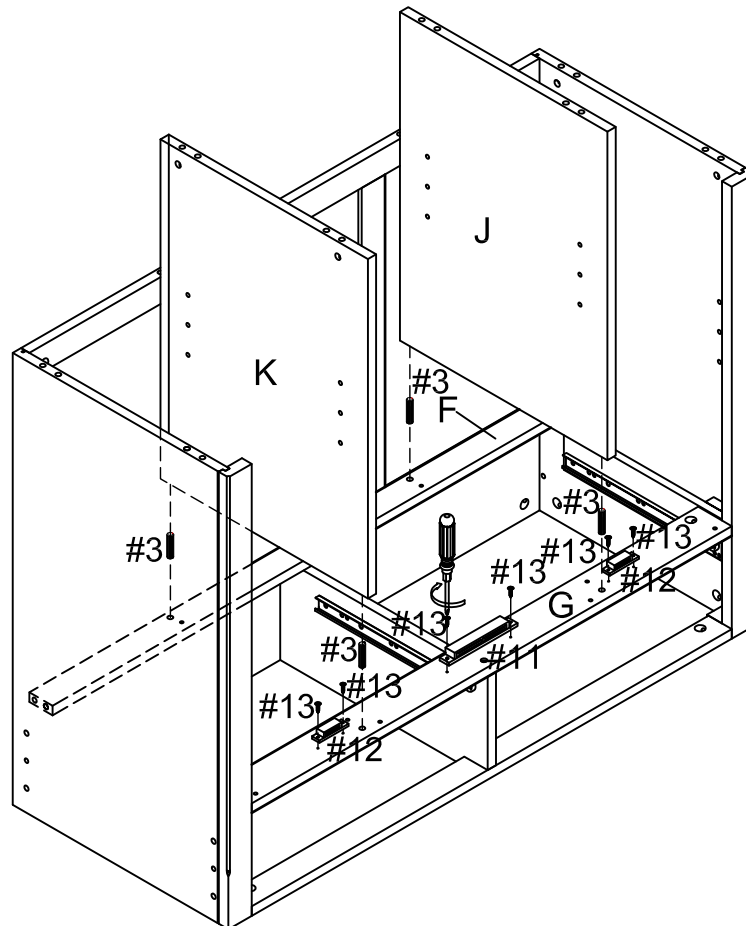
Step 7. Attach left panel (part B) to assembled unit (parts D, E, F, G, H & N) using wood dowels (part #3) and cam locks (part #1).





NOTE: Cam locks must rotate a full 180°. See pictured insert.



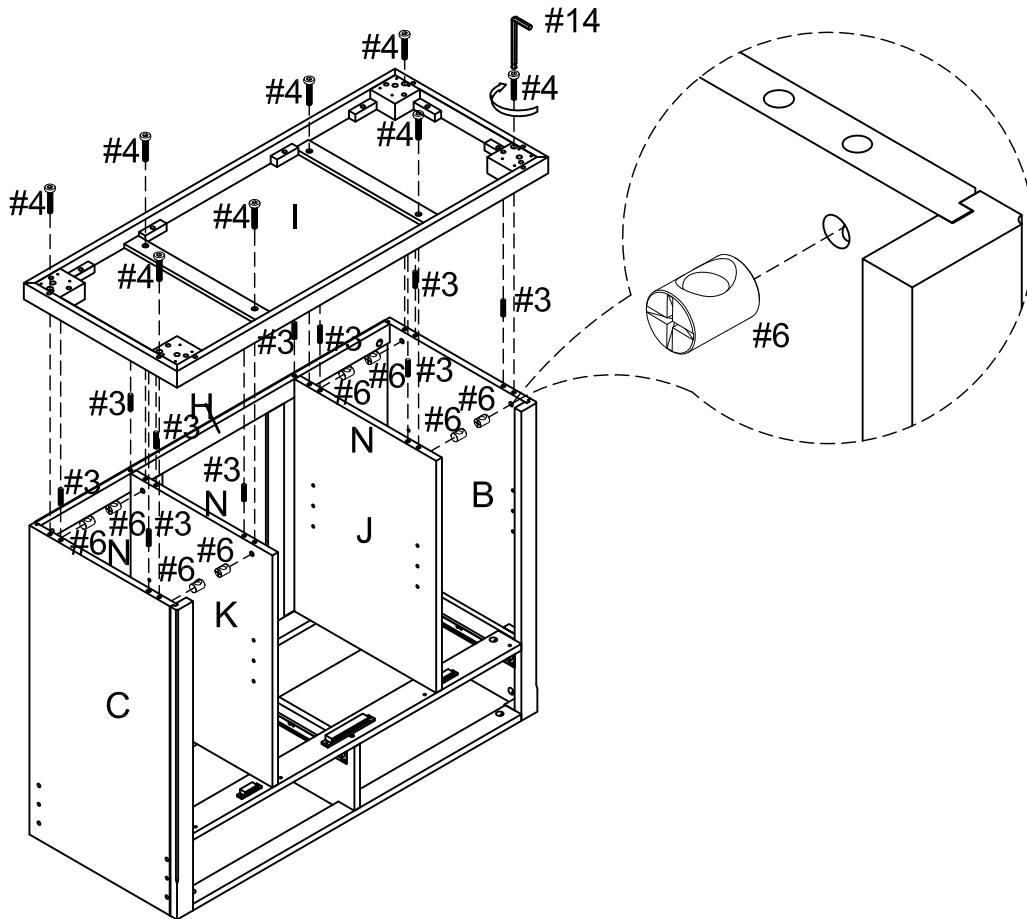
- #1  x6
- #3  x5

Step 8. Attach double magnet (part #11) and magnets (part #12) to front middle rail (part G) using round head screws (part #13) and phillips head screwdriver. Attach left partition panel (part J) and right partition panel (part K) to back top rail (part F) and front middle rail (part G) using wood dowels (part #3).



- #3  x4
- #11  x1
- #12  x2
- #13  x6

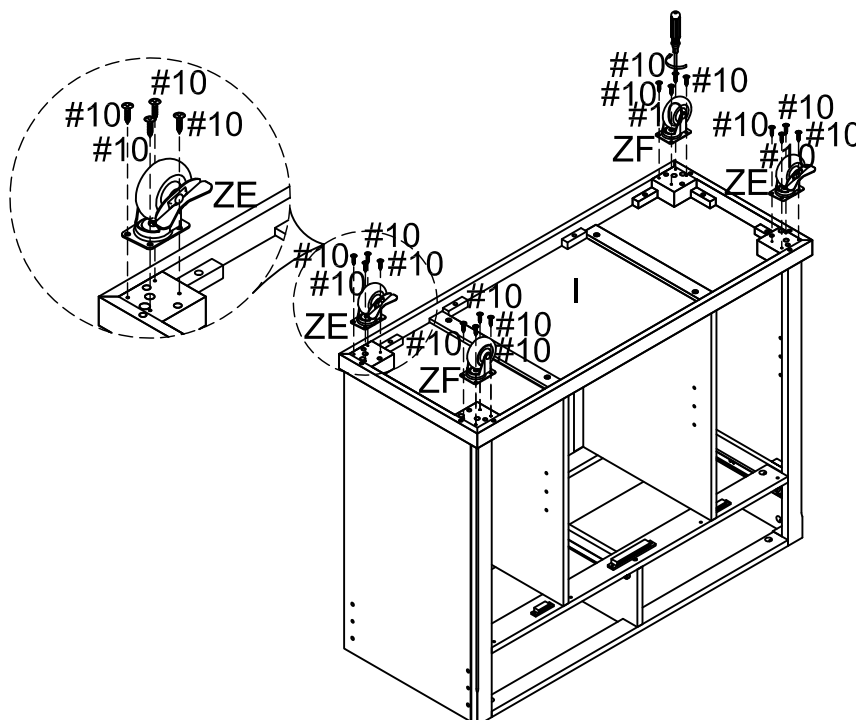
Step 9. Attach bottom panel (part I) to assembled unit (parts B, C, H, J & K) using wood dowels (part #3), long bolts (part #4), barrel nuts (part #6) and allen wrench (part #14).



Step 10. CASTER INSTALLATION

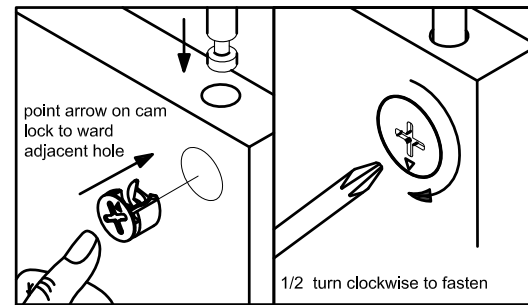
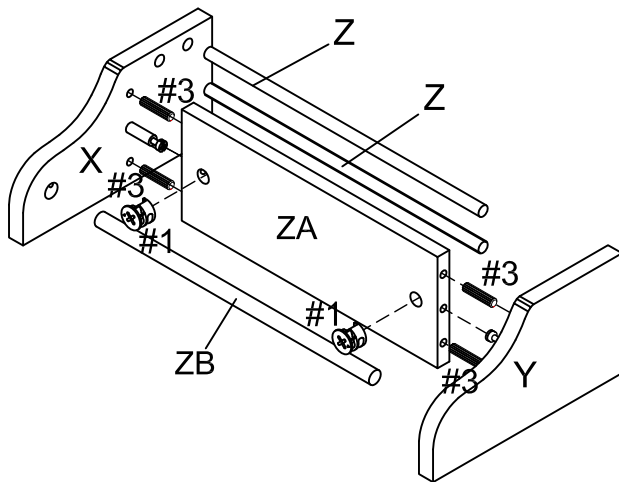
Attach locking casters (part ZE) and casters (part ZF) to bottom panel (part I) using large round head screws (part #10) and phillips head screwdriver.



NOTE: LEG INSTALLATION - Do not install casters. Attach legs using instruction manual and hardware included inside leg packaging.



Step 11. Insert towel bar (part ZB) and support bars (part Z) into towel bar left panel (part X). Attach support panel (part ZA) to towel bar left panel (part X) using wood dowels (part #3) and cam lock (part #1). Attach towel bar right panel (part Y) to assembled unit (parts Z, ZA & ZB) using wood dowels (part #3) and cam lock (part #1).

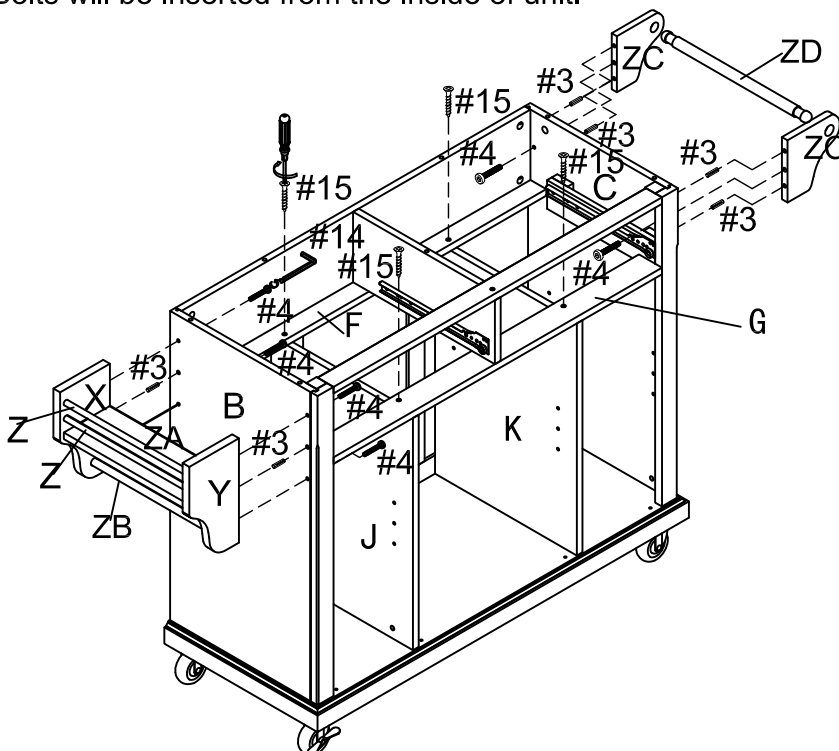
NOTE: Cam locks must rotate a full 180°. See pictured insert.




- #1  x2
- #3  x4

Step 12. Carefully turn unit upright. Secure left partition panel (part J) and right partition panel (part K) to back top rail (part F) and front middle rail (part G) using long screws (part #15) and phillips head screwdriver. Attach assembled unit (parts X, Y, Z, ZA & ZB) to left panel (part B) using long bolts (part #4) and wood dowels (part #3). Attach small towel bar panels (part ZC) to right panel (part C) using long bolts (part #4) and wood dowels (part #3). Insert small towel bar (part ZD) through the holes of small towel bar panels (part ZC).

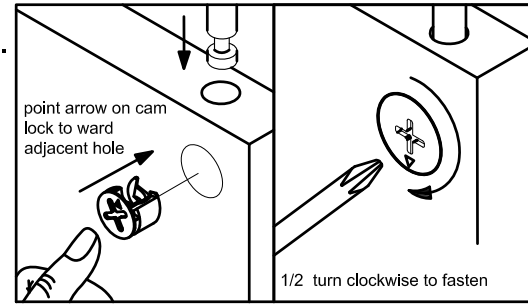
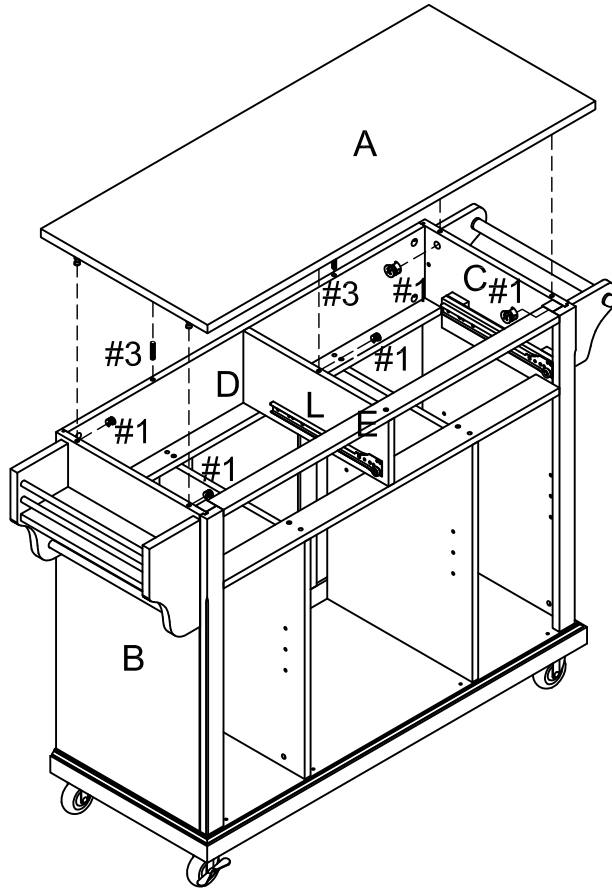
NOTE: Bolts will be inserted from the inside of unit.


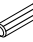


- #3  x6
- #4  x6
- #15  x4

Step 13. Attach top panel (part A) to assembled unit (parts B, C, D, E & L) using wood dowels (part #3) and cam locks (part #1).

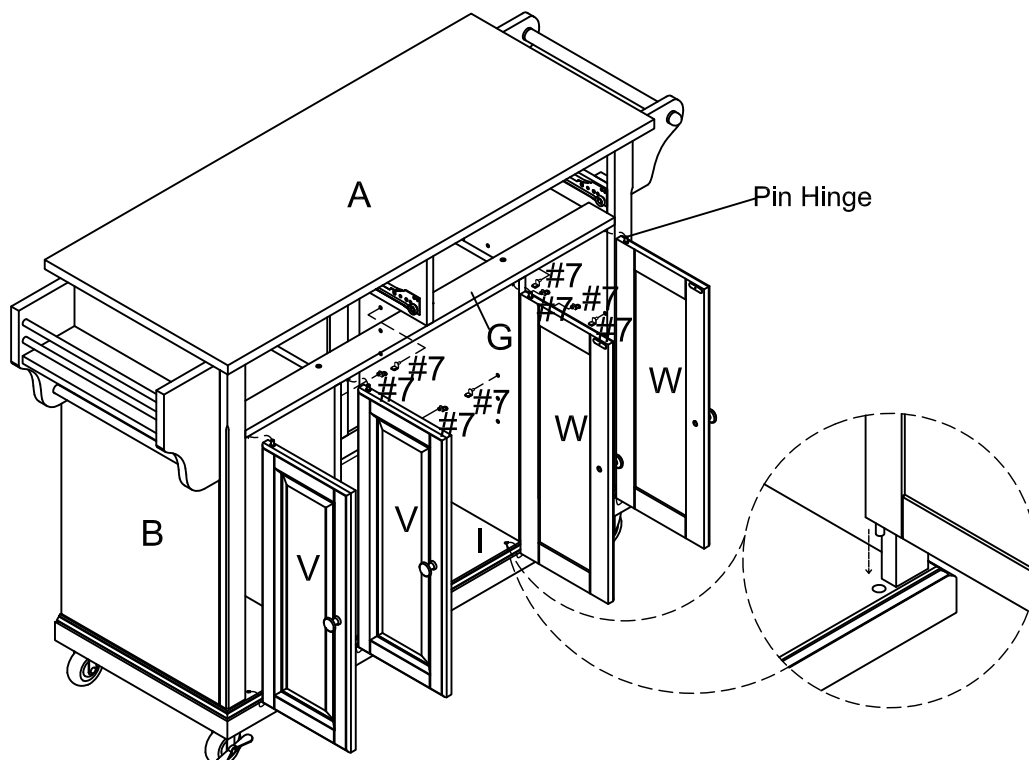
NOTE: Cam locks must rotate a full 180°. See pictured insert.




#1  x5
 #3  x2

Step 14. Attach left door panels (part V) and right door panels (part W) by placing bottom pin hinge (pre-installed in door) in the pre-drilled hole of bottom panel (part I). Then depress the top spring-loaded pin hinge so it can be placed in the pre-drilled hole of front middle rail (part G). Place shelf holders (part #7) into desired position.

NOTE: Be sure top and bottom pin hinges are fully extended to secure doors in place.



#7  x12

Step 15. Slide assembled drawers into place. Slide adjustable shelves (part O) and middle adjustable shelf (part P) into place.

