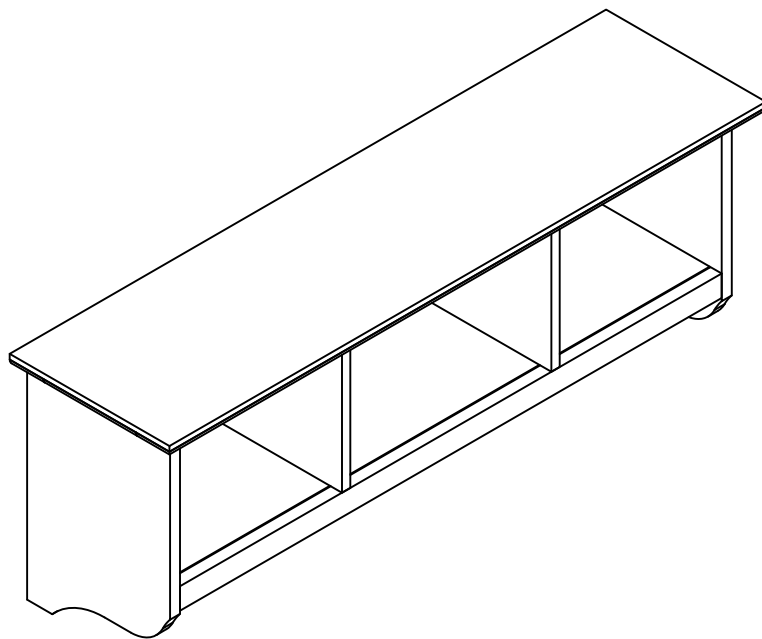
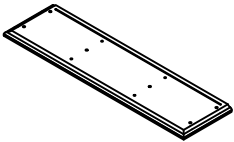
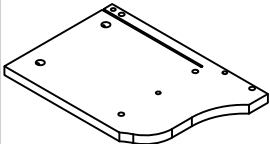
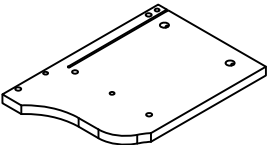
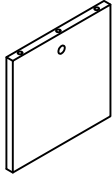
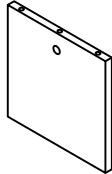
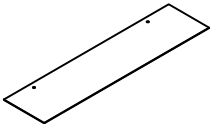
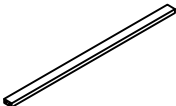
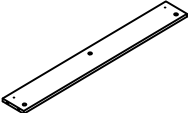
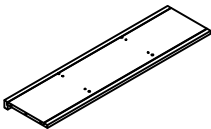





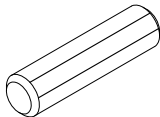
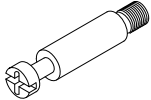


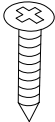

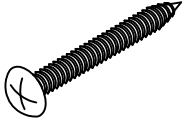
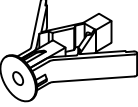
Brennan Entryway Shelf  
CF6004



# PART LIST

				
<p>Top 1 PC</p>	<p>Left Side Panel 1 PC</p>	<p>Right Side Panel 1 PC</p>	<p>Left Partition Panel 1 PC</p>	<p>Right Partition Panel 1 PC</p>
				
<p>Back Panel 1 PC</p>	<p>Upper Back Rail 1 PC</p>	<p>Lower Back Panel 1 PC</p>	<p>Bottom Panel 1 PC</p>	<p>Support Plate 1 PC</p>

# HARDWARE LIST

 <p>Ø8*30</p>				
<p>Wood Dowel 16PCS</p>	<p>Cam Bolt 15 PCS</p>	<p>Cam Lock 15 PCS</p>	<p>Hook 3 PCS</p>	<p>Round Head Screw 6 PCS</p>
 <p>1-1/4" * Ø4" * D8mm</p>	 <p>38mm * Ø4" * D8mm</p>			
<p>Short Flat Head Screw 4 PCS</p>	<p>long round head screw 4 PCS</p>	<p>Wall Anchor 4 PCS</p>		

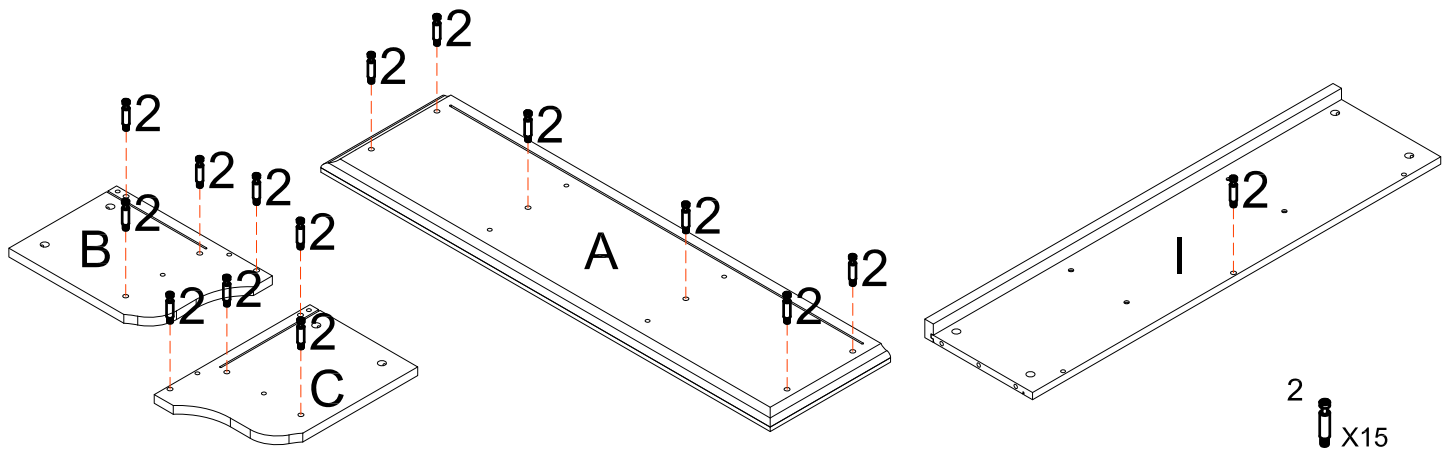
## ADDITIONAL TOOLS (Not Provided)

Note: It is not recommended to use power tools during assembly. However a screw gun can assist with mounting.

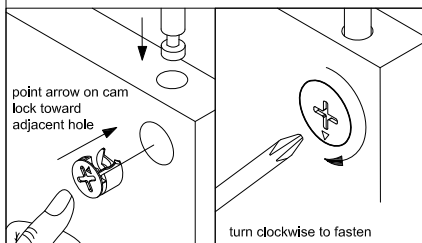
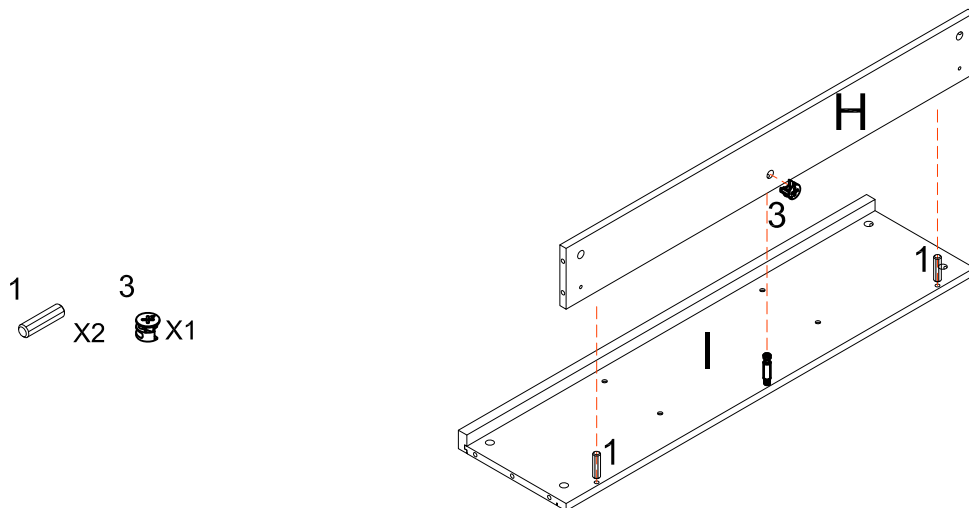


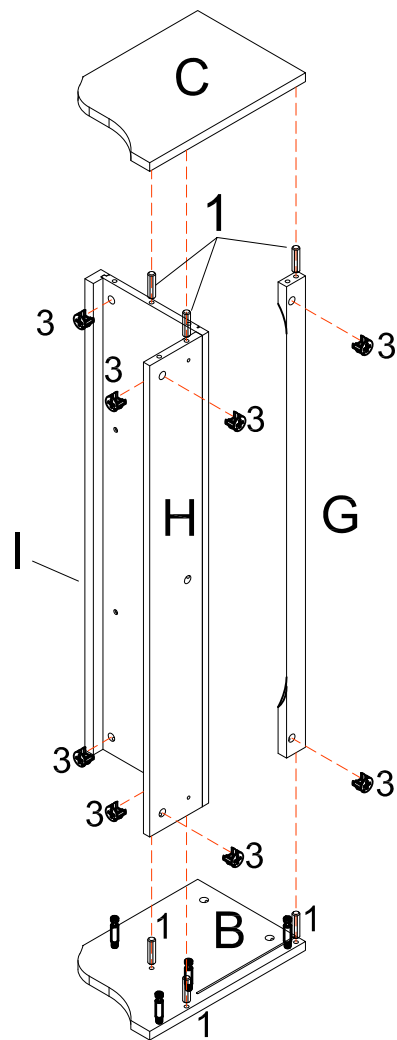
Phillips Head Screw Driver

Step 1. Insert Cam Bolts (Part#2) into Top (A), Left Side Panel (B), Right Side Panel (C) and Bottom Panel (I).

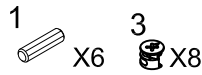


Step 2. Attach Lower Back Panel (H) to Bottom Panel (I) using Wood dowels (Part#1) and Cam Locks (Part#3).

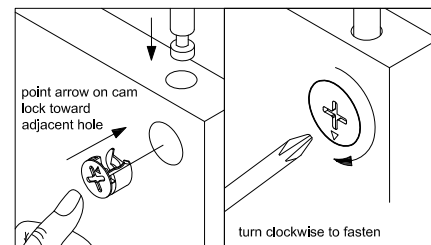
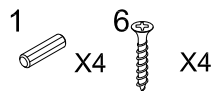
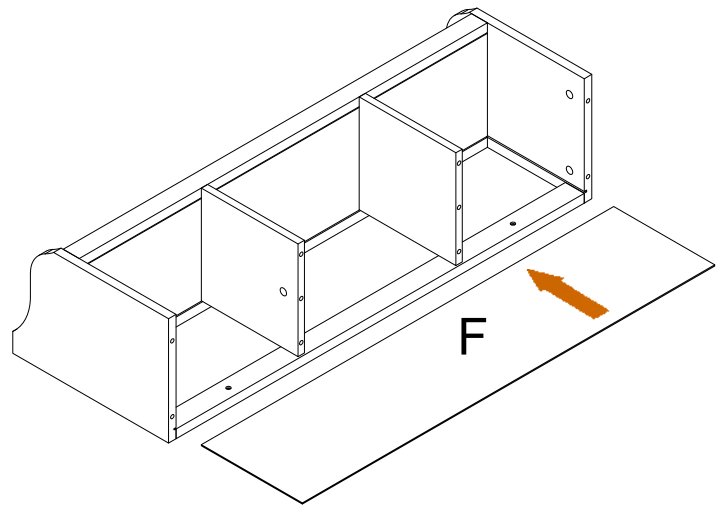
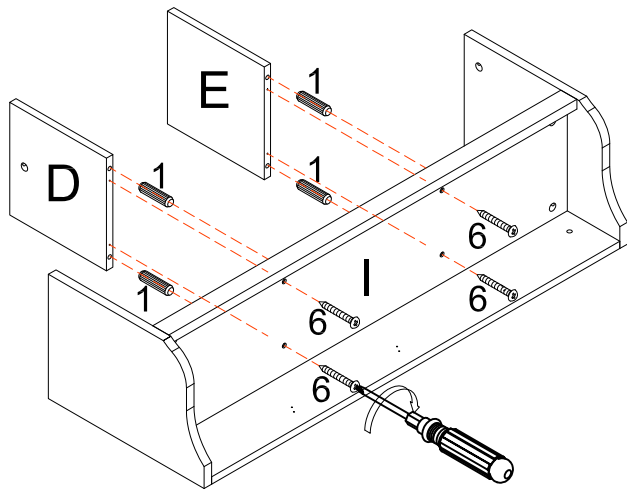




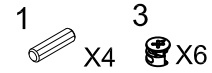
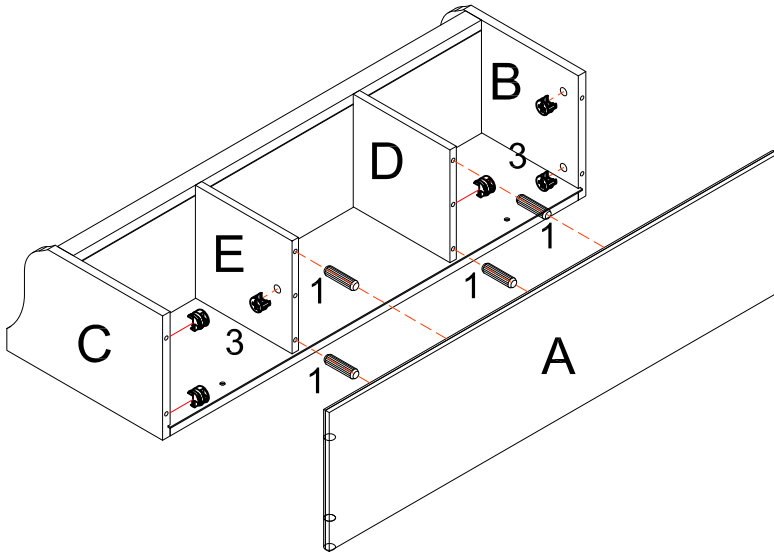
Step 3. Attach assembled parts (H & I) and Upper Back Rail (G) to Left Side Panel (B) using Wood dowels (Part#1) and Cam Locks (Part#3). Then attach Right Side Panel (C) to Parts (H, I & G) using Wood dowels (Part#1) and Cam Locks (Part#3).



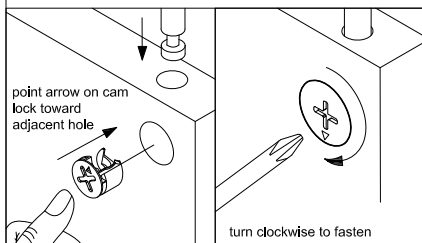
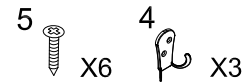
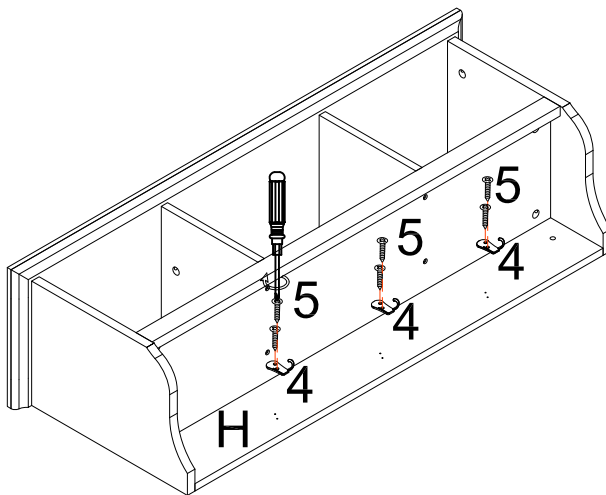
Step 4. Attach Left Partition Panel (D) and Right Partition Panel (E) to Bottom Panel (I) using Wood Dowels (Part#1) and Short Flat Head Screws (Part#5). Insert Back Panel (F) into grooves of Left Side Panel (B), Right Side Panel (C) and Bottom Panel (I).



Step 5. Attach Top (A) to assembled parts (B, C, D & E )using Wood dowels (Part#1) and Cam Locks (Part#3).



Step 6. Screw Hooks (Part#4) into pre drilled holes on Lower Back Panel (H) using Round Head Screws (Part#5).



Step 7. Hold the Support Plate (J) in the desired location of the wall unit. This plate will be about 2" lower than the top of the wall unit. Making sure the Support Plate (J) is level, use a pencil to mark the anchor locations using the Support Plate (J) screw holes as a guide. We recommend using a leveler to make sure the Support Plate (J) is oriented correctly.

- Drill two 11/32" holes in these marked spots and tap the Wall Anchors (Part #8) into the drilled holes.

Secure the Support Plate (J) to the Wall Anchors (Part #8) with Screws (Part #7). See Image.

- Mount the completed unit onto the Support Plate (J). The back of the unit has a recessed area that will hook on to the Support Plate (J). Use a pencil to mark the 2nd set of anchor locations using the holes in the wall unit as a guide. See Image.

- Remove the wall unit and drill two 11/32" holes at the pencil marks, and tap the Wall Anchors (Part #8) into the holes.

- Remount the wall unit and secure it to the Wall Anchors (Part #8) with Screws (Part #7). See image.

