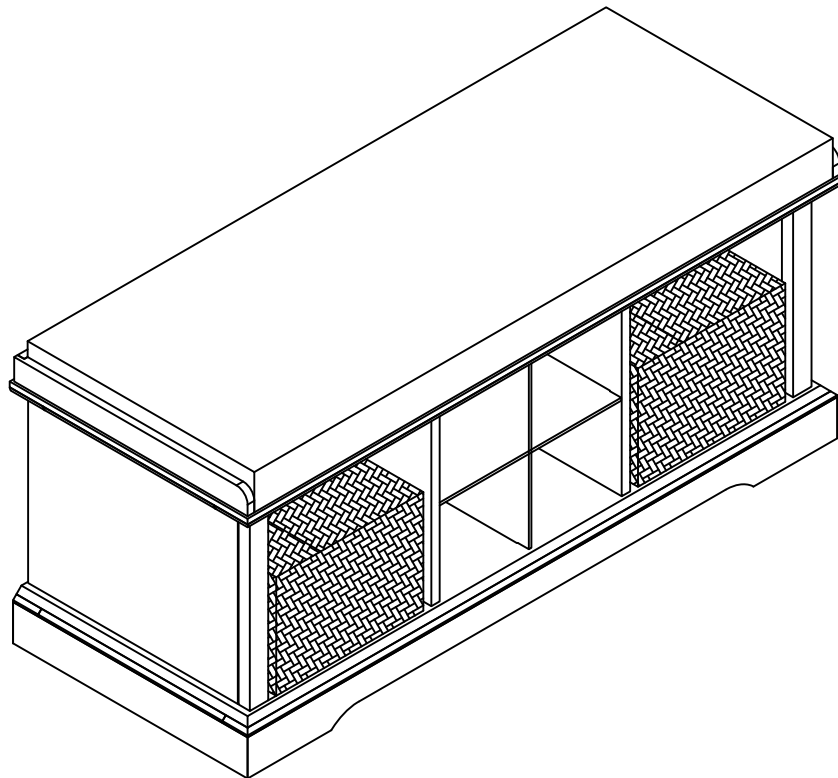
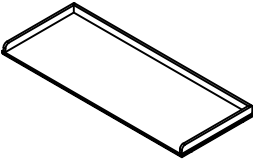
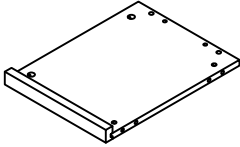
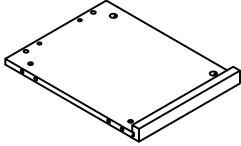
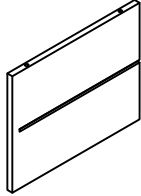
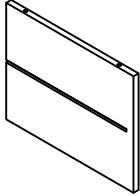
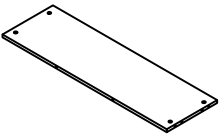
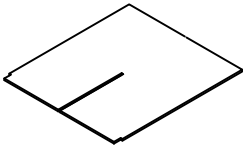
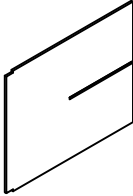
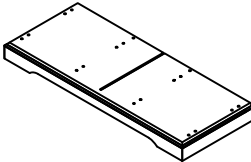
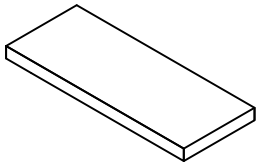
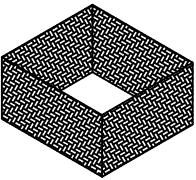
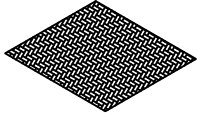




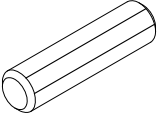
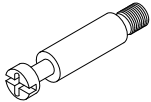

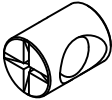
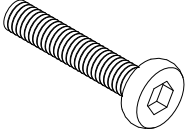
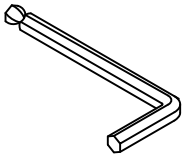
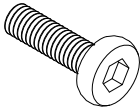
Brennan Entryway Bench
CF6003



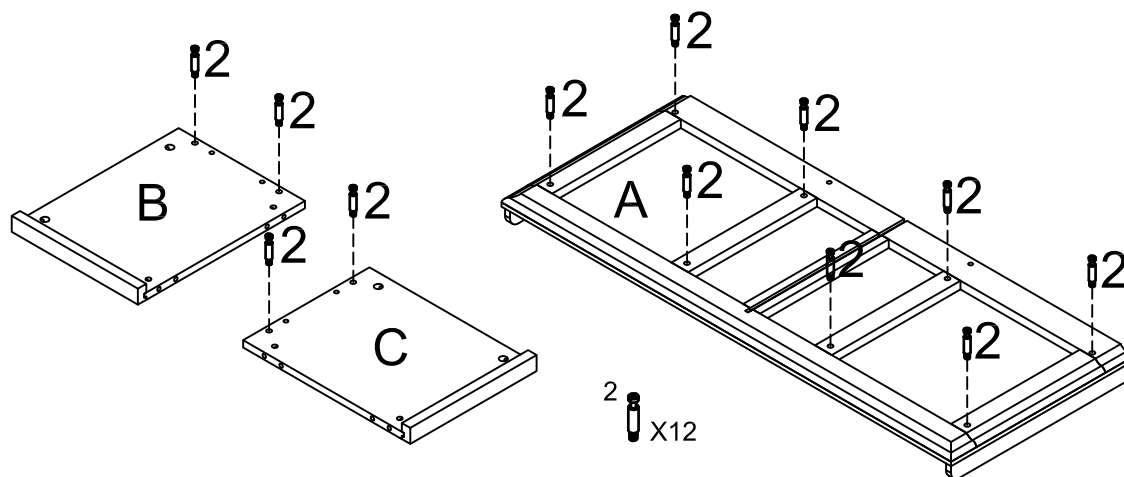
PART LIST

				
Top Panel 1 PC	Left Side Panel 1 PC	Right Side Panel 1 PC	Left Clapboard 1 PC	Right Clapboard 1 PC
				
Back Panel 1 PC	Diaphragm Panel 1 PC	Brace Panel 1 PC	Bottom Frame 1 PC	Cushion 1 PC
				
Wicker Basket 2 PCS	Basket Bottom 2 PCS			

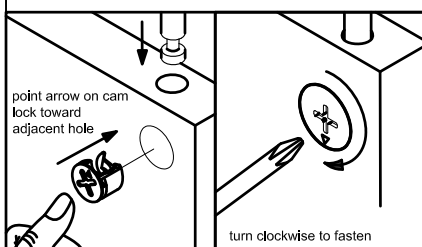
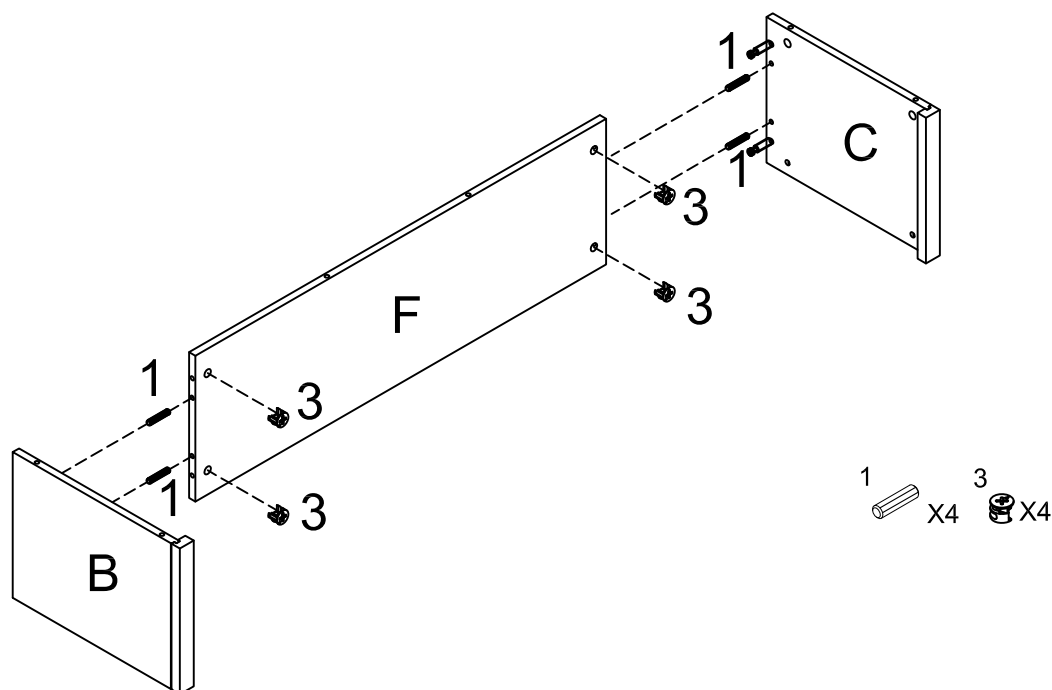
HARDWARE LIST

 <p>∅8*30</p>				 <p>2"*∅1/4"*D11</p>
Wood Dowel 16 PCS	Cam Bolt 12 PCS	Cam Lock 12 PCS	Barrel Nut 8 PCS	Allen Bolt 8 PCS
	 <p>3/4"*∅1/4"*D11</p>	Tools needed: Allen key (part #6)(included) Phillips Head Screw Driver (Not included)		
Allen Key 1 PC	Allen Bolt 8 PCS			

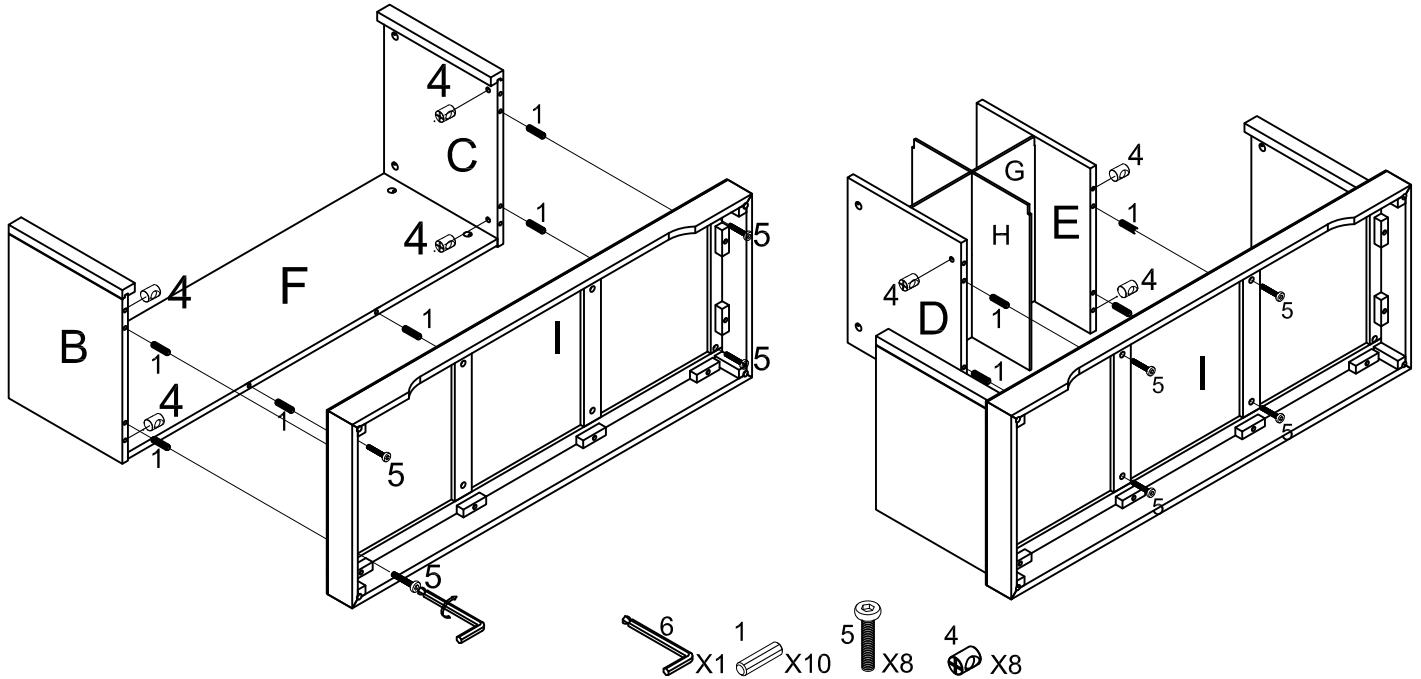
Step 1. Insert Cam Bolts (Part#2) into Top (A), Left Side Panel (B) and Right Side Panel (C).



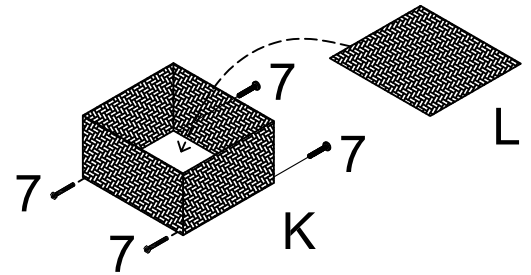
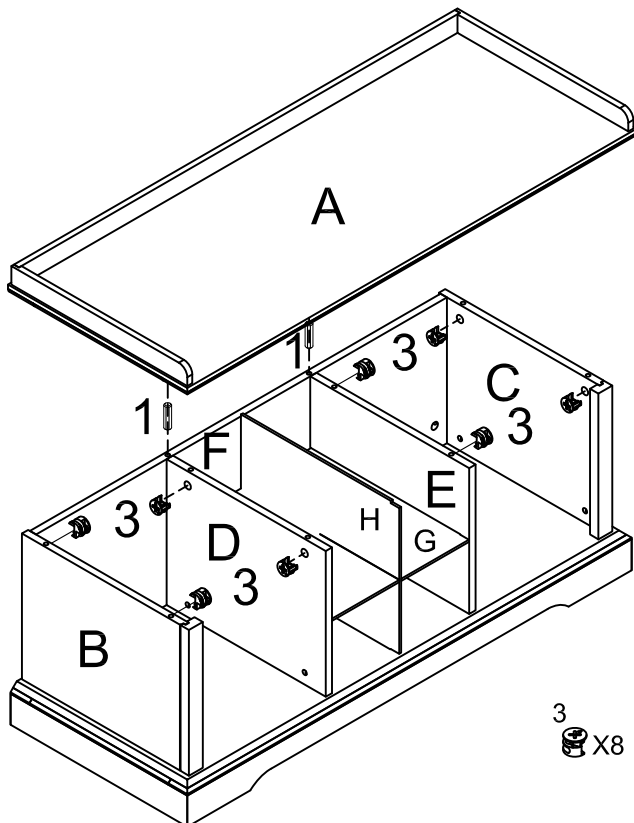
Step 2. Attach Left Side Panel (B) and Right Side Panel (C) to Back Panel (F) using Wood Dowels (Part#1) and Cam Locks (Part#3).



Step 3. Attach Bottom Frame (I) to assembled Left Side Panel (B), Right Side Panel (C) and Back Panel (F) using Wood Dowel (Part#1) and Bolt (Part#5). Insert Diaphragm Panel (G) into Left Partition Panel (D) and Right Partition Panel (E), then insert Brace Panel (H) into cutout of Panel (G). Attached assembled Panels (G, H, D & E) onto Bottom Frame (I) using Barrel Nuts (Part#4), Wood Dowels (Part#1) & Bolts (Part#5).



Step 4. Attach Top Panel (A) assembled (B,C,D,E,F) using Wood Dowel (Part#1) and Cam Lock (Part3).



Step 5. Open the folding Wicker Basket (K), and put basket bottom panel (L) in place using Bolt (Part#7) Locks. Put baskets into cabinet.

