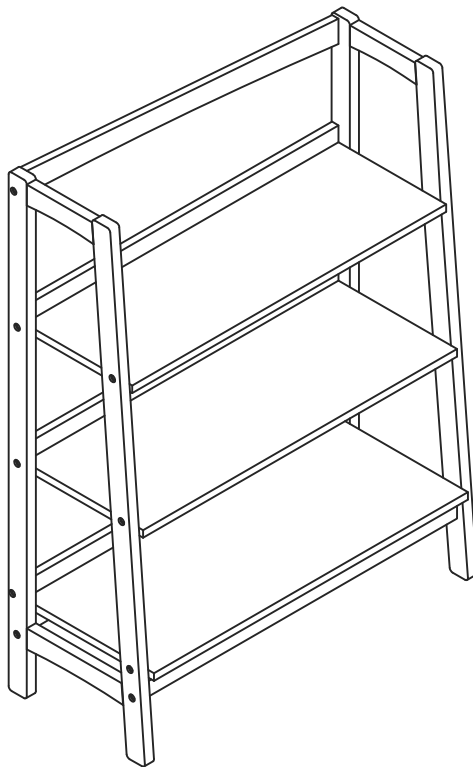



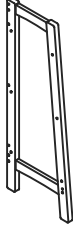
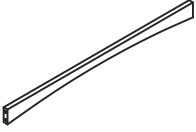
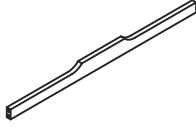
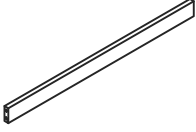
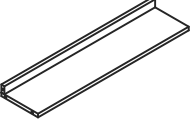
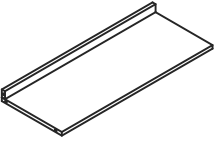
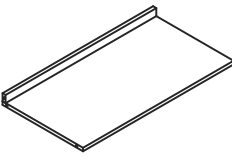
CROSLEY

FURNITURE





Bookcase CF1111



PART LIST

A 	B 	C 	D 	E 
Left Side Frame 1 PC	Right Side Frame 1 PC	Back Top Rail 1 PC	Front Bottom Rail 1 PC	Back Bottom Rail 1 PC
F2 	G2 	H2 		
Top Shelf 1 PC	Middle Shelf 1 PC	Bottom Shelf 1 PC		

HARDWARE LIST

#1 	#2  Ø8x30	#3 	#4  M4
Safety Strap Kit 1 PC	Wood Dowel 12 PCS (Extra 1)	Allen Bolt 18 PCS (Extra 1)	Allen Wrench 1 PC

ADDITIONAL TOOLS (Not Provided)

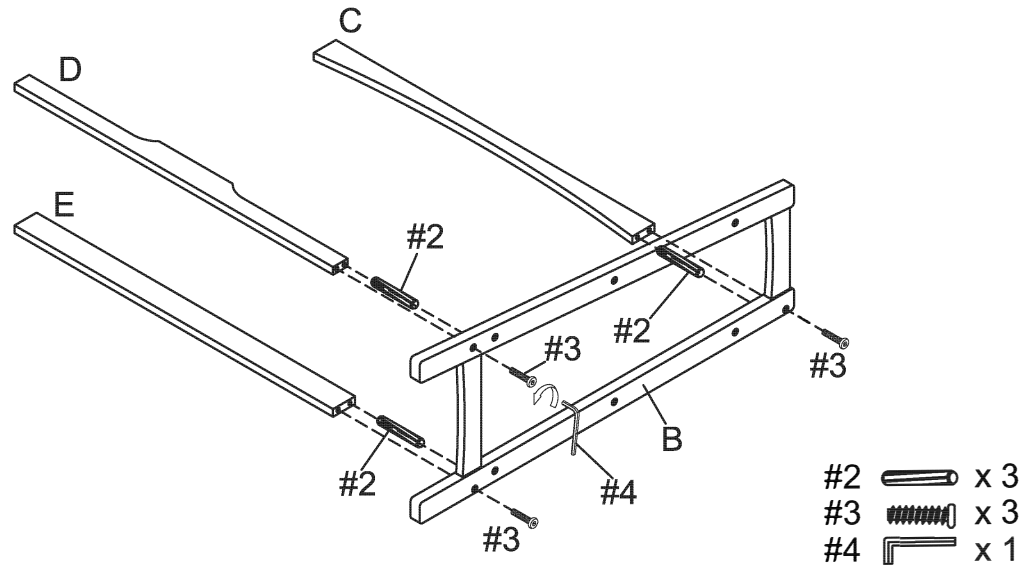
Note: It is not recommended to use power tools during assembly.



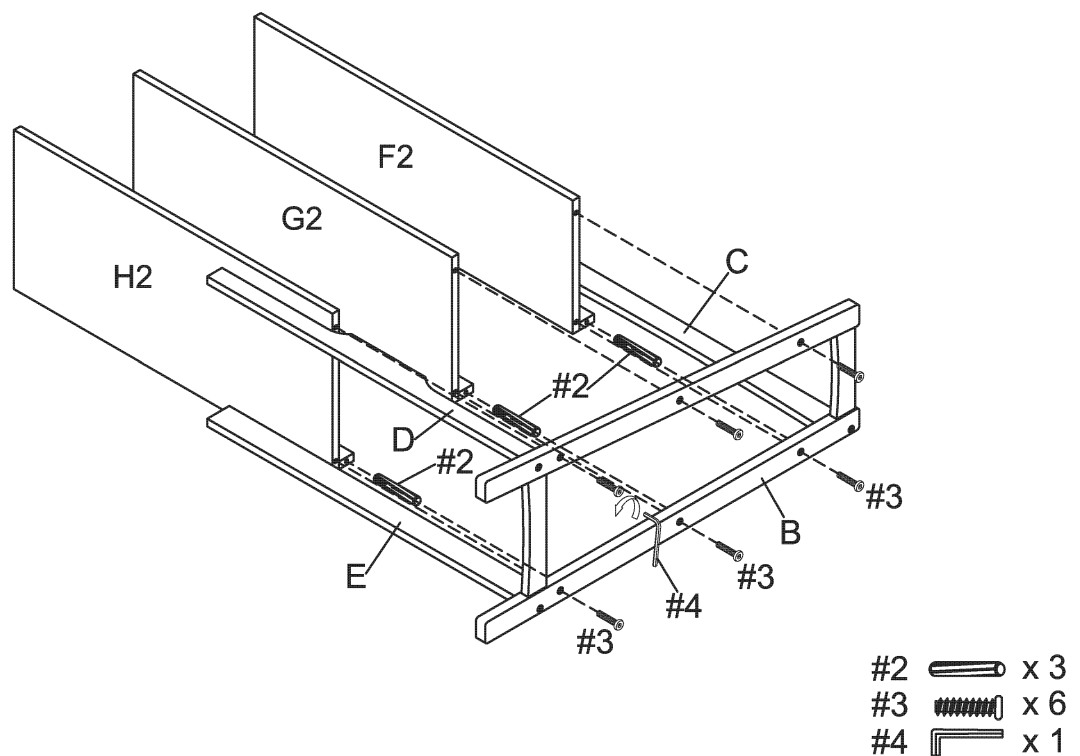
Phillips Head Screwdriver

Step 1. Attach back top rail (part C), front bottom rail (part D) and back bottom rail (part E) to right side frame (part B) using wood dowels (part #2), allen bolts (part #3) and allen wrench (part #4).

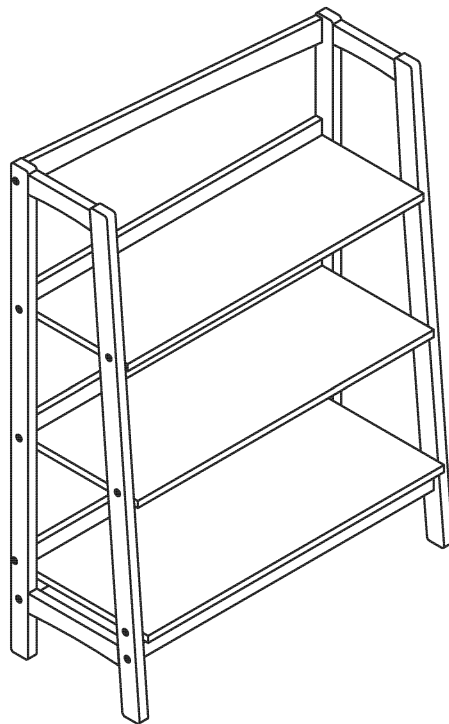
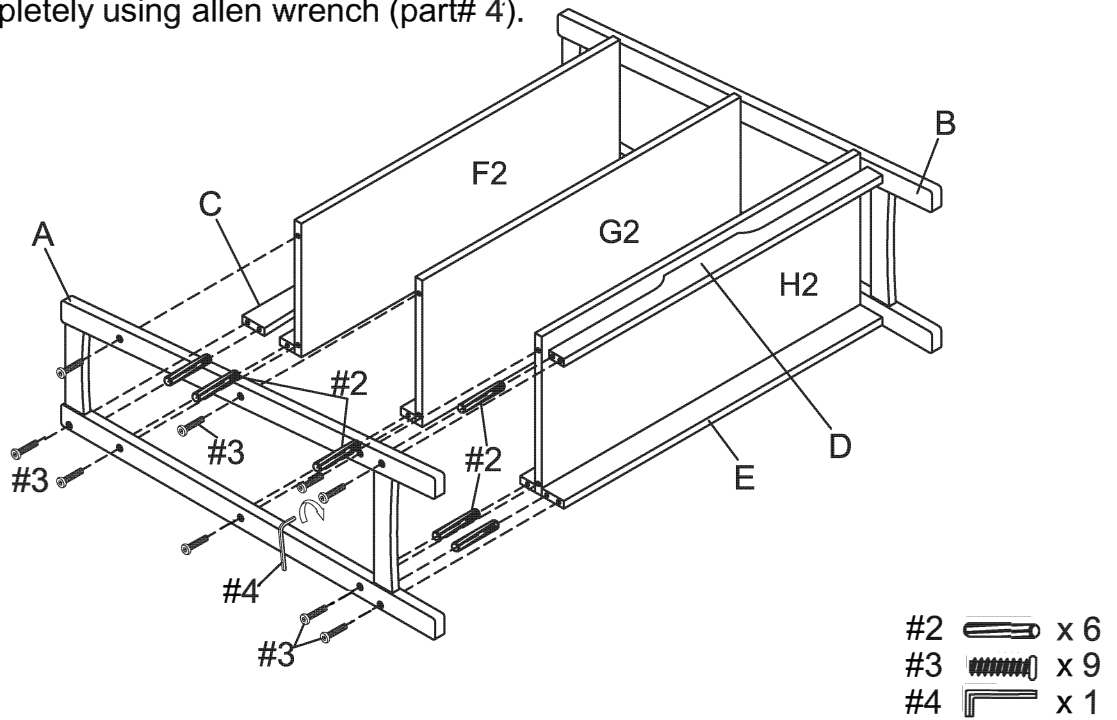
Note: Do not fully tighten bolts until unit is fully assembled.


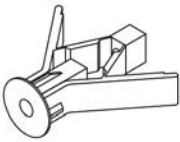



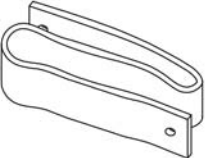


Step 2. Attach top shelf (part F2), middle shelf (part G2) and bottom shelf (part H2) to right side frame (part B) using wood dowels (part #2), allen bolts (part #3) and allen wrench (part #4).



Step 3. Attach left side frame (part A) to back top rail (part C), top shelf (part F2), middle shelf (part G2), bottom shelf (part H2), front bottom rail (part D) and back bottom rail (part E) using wood dowels (part #2), allen bolts (part #3) and allen wrench (part #4). Tighten all the bolts completely using allen wrench (part# 4).



<p>#1</p> 	<p>Safety Strap Kit 1 PC</p>	<p>A</p> 	<p>B</p> 	<p>C</p> 	<p>D</p> 	<p>E</p> 
		<p>Wall Anchor A x 1 PC</p>	<p>Washer B x 2 PCS</p>	<p>D8*3/4" Short Screw C x 1 PC</p>	<p>D8*1-1/2" Long Screw D x 1 PC</p>	<p>Safety Wall Strap E x 1 PC</p>

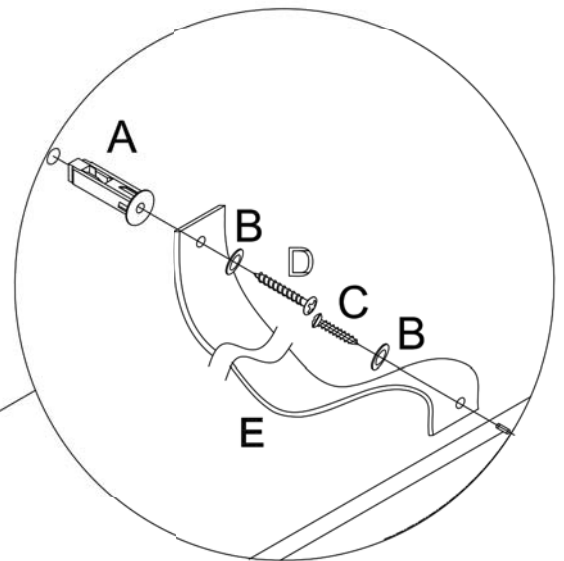
SAFETY STRAP WALL ASSEMBLY INSTRUCTION

1) Insert short screw (part #C) through washer (part #B) and safety wall strap (part #E) and screw it into the top center of top shelf (part F).

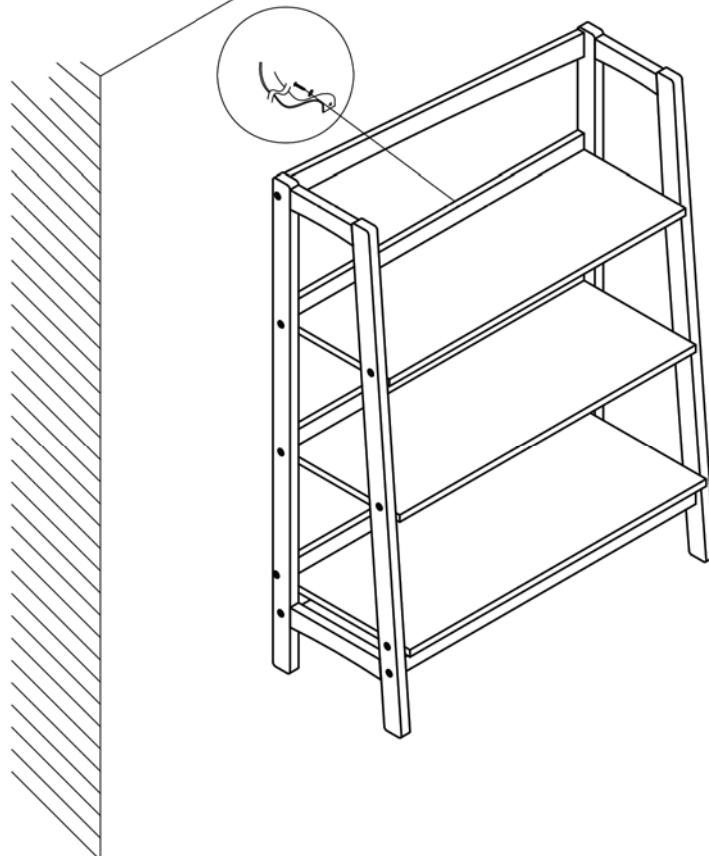
2) Drill a 11/32" hole where you want to secure your unit. The hole should be at the same height as the hole in the top center of top shelf (part F). Tap wall anchor (part #A) into the hole.

3) Insert long screw (part #D) through washer (part #B) and wall safety strap (part #E) into the wall anchor (part #A).

Note: This item is not intended for clothing storage use.



Wall



⚠ WARNING	
	<p>Children have died from furniture tipover. To reduce the risk of furniture tipover:</p> <ul style="list-style-type: none"> . ALWAYS install tipover restraint provided. . NEVER put a TV on this product . NEVER allow children to stand, climb or hang on drawers, doors, or shelves. . NEVER open more than one drawer at a time. . Place heaviest items in the lowest drawers.
	<p><i>This is a permanent label. Do not remove!</i></p>