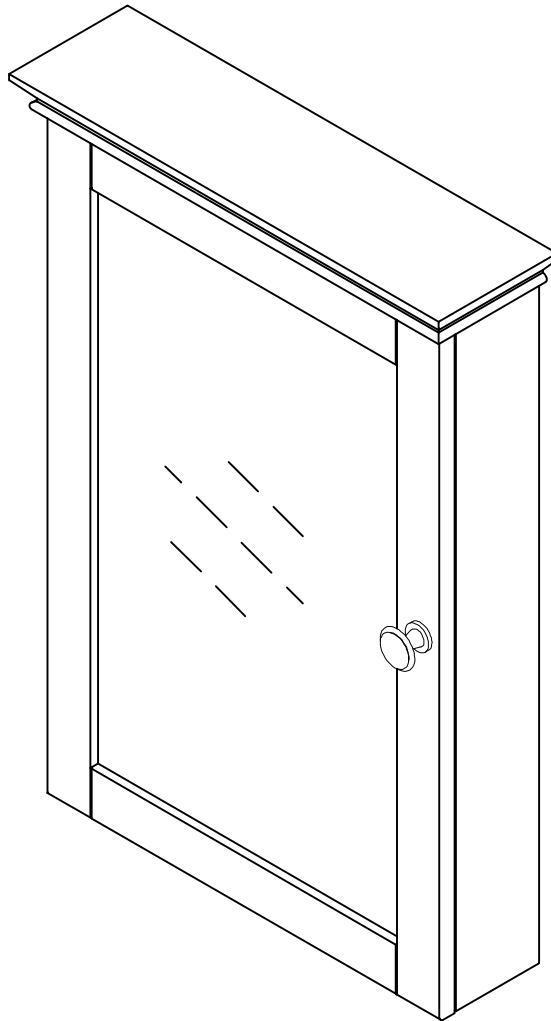
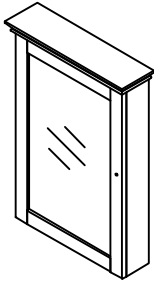
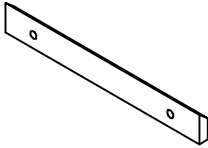
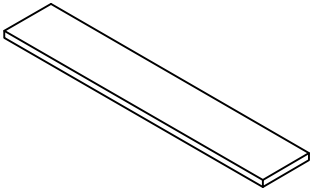




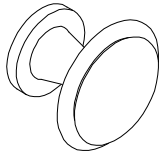
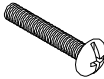
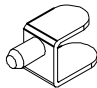

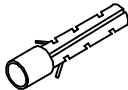
**Lydia Mirrored Bathroom Wall Cabinet**  
**CF7005**



## PART LIST

					
Framed Mirror		Support Plate		Adjustable shelf	
1	1pc	2	1pc	3	3pcs

## HARDWARE LIST

					
Knob Ø29*27mm		Round Head Bolt Ø5/32"*19mm		Shelf Support Ø6.5mm	
A	1pc	B	1pc	C	12pcs
					
Long Screw Ø4*57mm		Wall Anchor Ø8*38mm			
D	4pcs	E	4pcs		

## EXTRA HARDWARE LIST



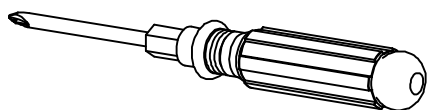
C X 1



D X 1

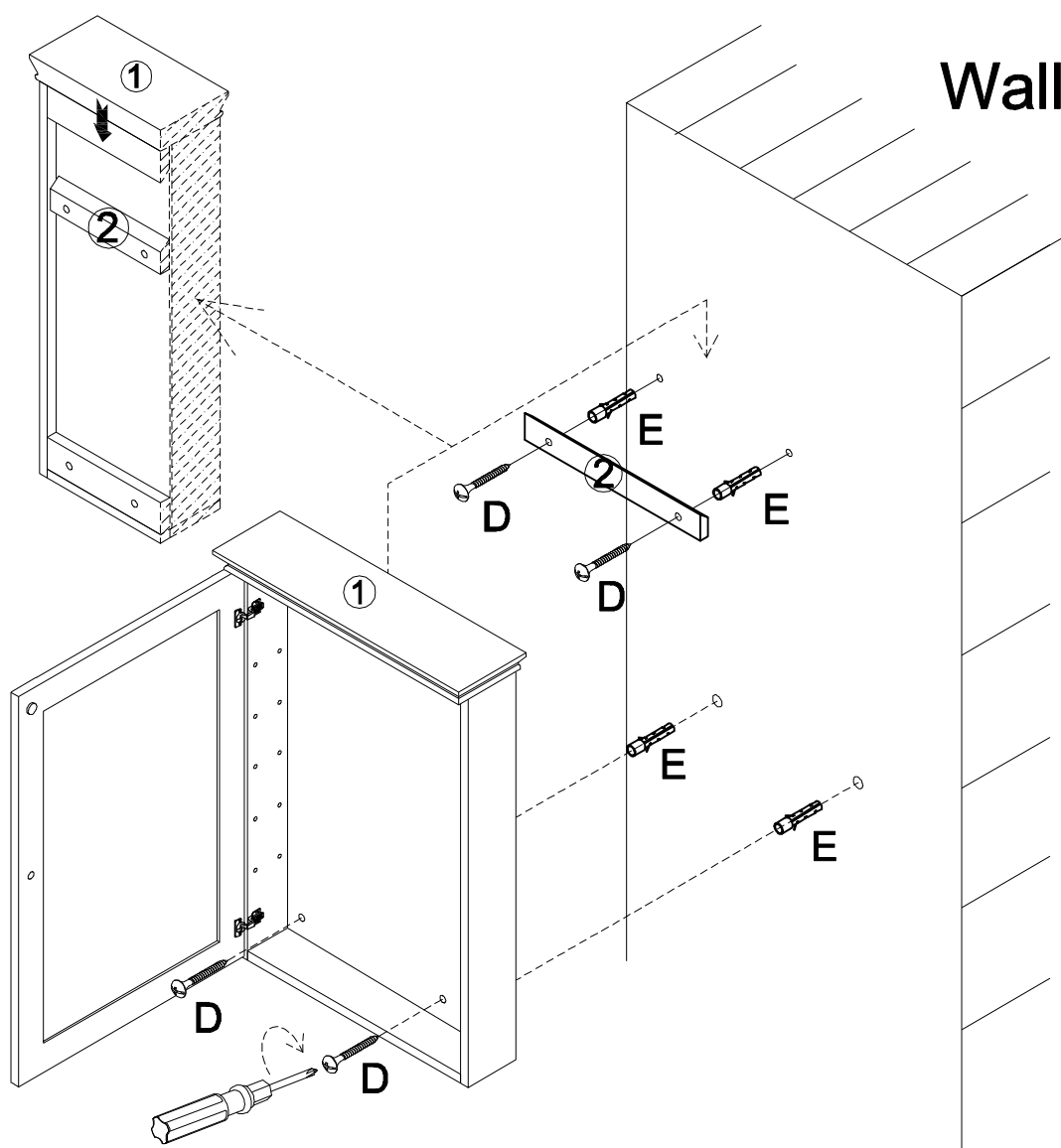
## ADDITIONAL TOOLS ( Not Provided)

**Note:** It is not recommended to use power tools during assembly. You may use power tools to assist in mounting the safety strap kit to the wall.



Phillips Head Screw Driver

- Step 1.** Hold the Support Plate (2) in the desired location of the wall unit. This plate will be about 2-1/2" lower than the top of the wall unit. Making sure the Support Plate (2) is level, use a pencil to mark the anchor locations using the Support Plate (2) screw holes as a guide. We recommend using a leveler to make sure the Support Plate (2) is oriented correctly.
- Drill two 11/32" holes in these marked spots and tap the Wall Anchors (E) into the drilled holes. Secure the Support Plate (2) to the Wall Anchors (E) with Screws (D). See Image.
  - Mount the completed unit onto the Support Plate (2). The back of the unit has a recessed area that will hook on to the Support Plate (2). Use a pencil to mark the 2nd set of anchor locations using the holes in the wall unit as a guide. See Image.
  - Remove the wall unit and drill two 11/32" holes at the pencil marks, and tap the Wall Anchors (E) into the holes.
  - Remount the wall unit and secure it to the Wall Anchors (E) with Screws (D). See image.

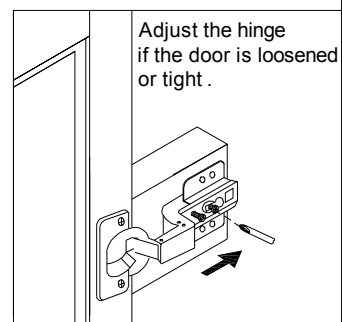
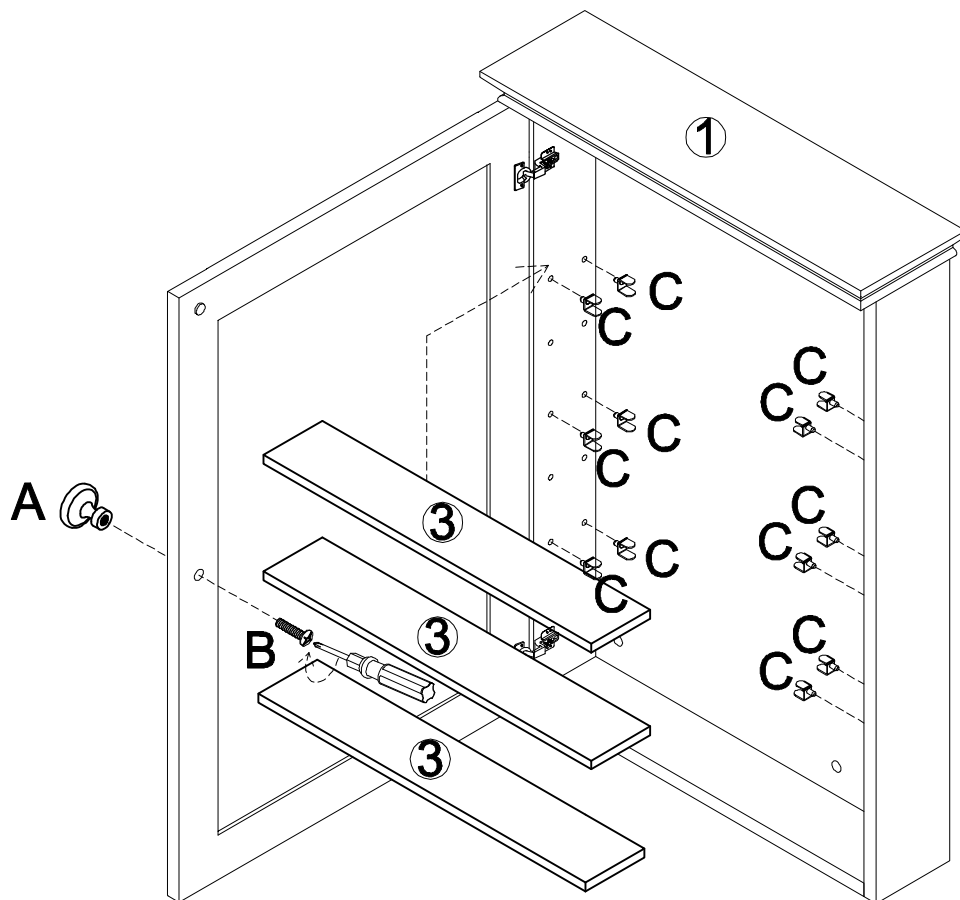





3

  
E x 4

  
D x 4

**Step 2.** Insert Shelf Supports (C) into predrilled holes at desired shelf heights. Insert Adjustable Shelves (3) into Shelf Supports (C) .  
Attach Knob (A) to cabinet door using Round Head Bolt (B) .



 C x 12	 B x 1	 A x 1
---	--	--