

# **CROSLEY**

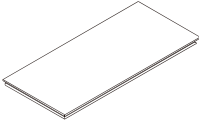
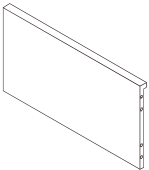
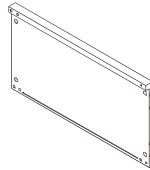
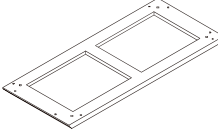
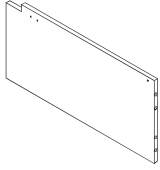
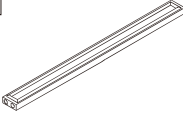
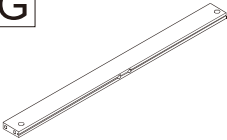
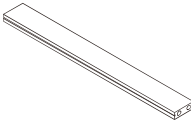
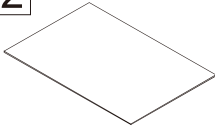
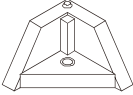
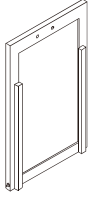


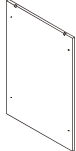

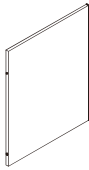
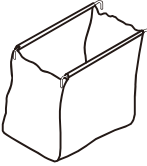
---

FURNITURE

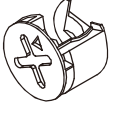
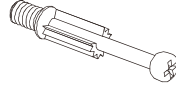
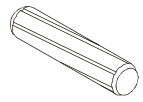
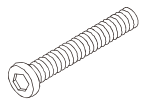
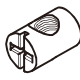
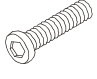



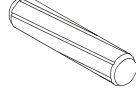
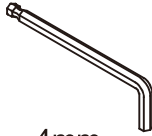

## Linen Bathroom Hamper CF7003



# PART LIST

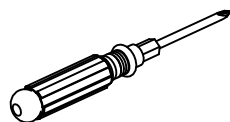
<b>A</b> 	<b>B</b> 	<b>C</b> 	<b>D</b> 	<b>E</b> 
Top Panel 1 PC	Left Panel 1 PC	Right Panel 1 PC	Bottom Panel 1 PC	Center Panel 1 PC
<b>F</b> 	<b>G</b> 	<b>H</b> 	<b>I2</b> 	<b>J</b> 
Front Rail 1 PC	Back Rail 2 PCS	Back Center Rail 1 PC	Back Panel 2 PCS	Leg 4 PCS
<b>K</b> 	<b>L2</b> 	<b>M2</b> 	<b>N2</b> 	<b>O2</b> 
Box Front Panel 2 PCS	Left Panel of Left Box 1 PC	Right Panel of Left Box 1 PC	Left Panel of Right Box 1 PC	Right Panel of Right Box 1 PC
<b>P2</b> 	<b>Q</b> 			
Box Back Panel 2 PCS	Bag 2 PCS			

# HARDWARE LIST

<p><b>#1</b></p>  <p>Ø15*12mm</p>	<p><b>#2</b></p>  <p>Ø6*42mm</p>	<p><b>#3</b></p>  <p>Ø8*30mm</p>	<p><b>#4</b></p>  <p>Ø6*50mm</p>	<p><b>#5</b></p>  <p>Ø6*12mm</p>
<p>Cam Lock 12 PCS (Extra 1)</p>	<p>Cam Bolt 12 PCS (Extra 1)</p>	<p>Short Wood Dowel 30 PCS (Extra 1)</p>	<p>Long Bolt 6 PCS (Extra 1)</p>	<p>Barrel Nut 6 PCS (Extra 1)</p>
<p><b>#6</b></p>  <p>Ø6*28mm</p>	<p><b>#7</b></p>  <p>L85*W30*H27</p>	<p><b>#8</b></p>  <p>Ø5/32"*12mm</p>	<p><b>#9</b></p>  <p>Ø3.5*25mm</p>	<p><b>#10</b></p>  <p>Ø8*40mm</p>
<p>Short Bolt 4 PCS (Extra 1)</p>	<p>Handle 2 PCS</p>	<p>Round Head Bolt 4 PCS (Extra 1)</p>	<p>Screw 16 PCS (Extra 1)</p>	<p>Long Wood Dowel 2 PCS</p>
<p><b>#11</b></p>  <p>4mm</p>	<p><b>#12</b></p> 			
<p>Allen Wrench 1 PC</p>	<p>Safety Strap Kit 1 SET</p>			

## ADDITIONAL TOOLS (Not Provided)

Note: It is not recommended to use power tools during assembly.

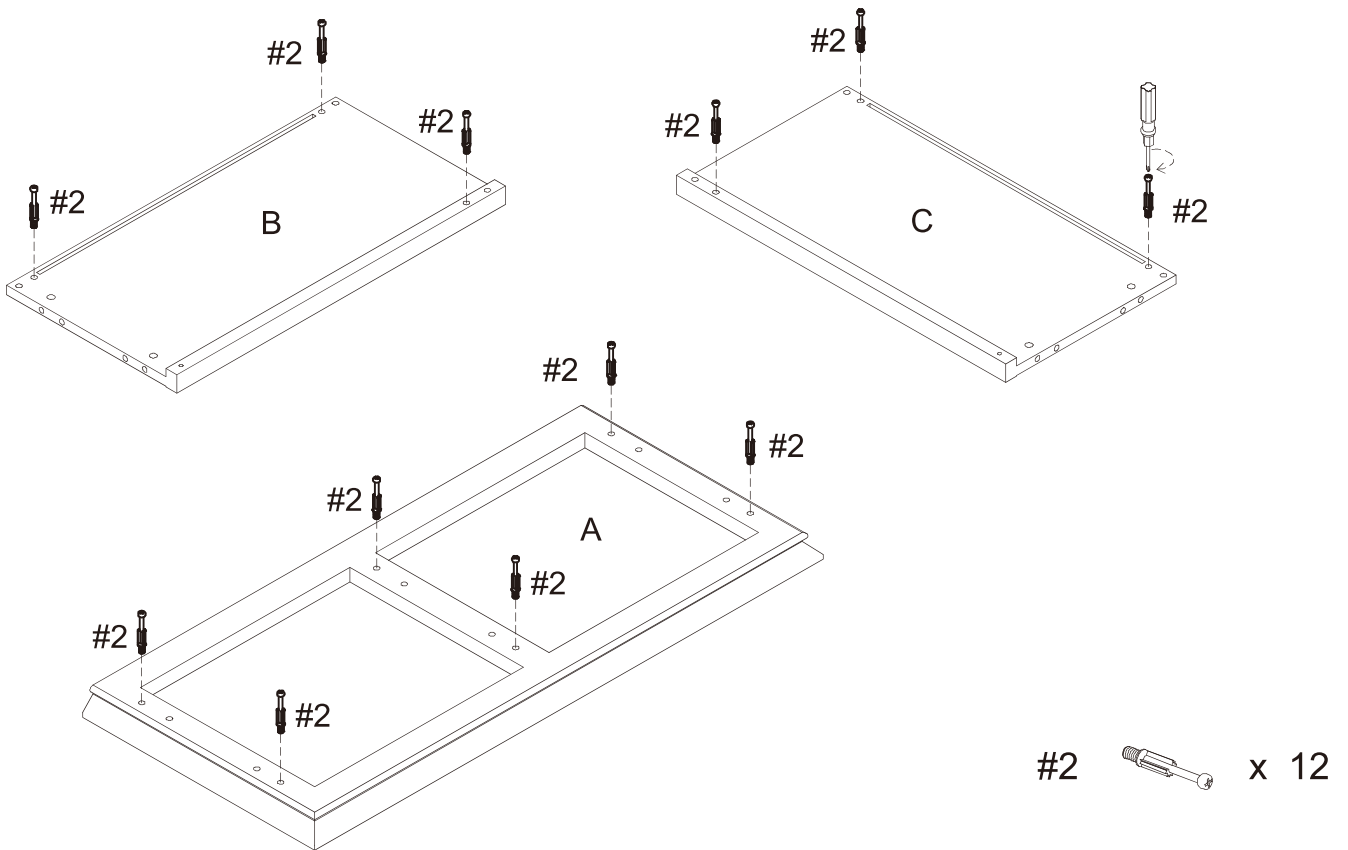


Phillips Head Screwdriver

Note: Wood dowels are intended for alignment. Additional clearance between wood dowel and pre-drilled hole is intentional for ease of assembly.

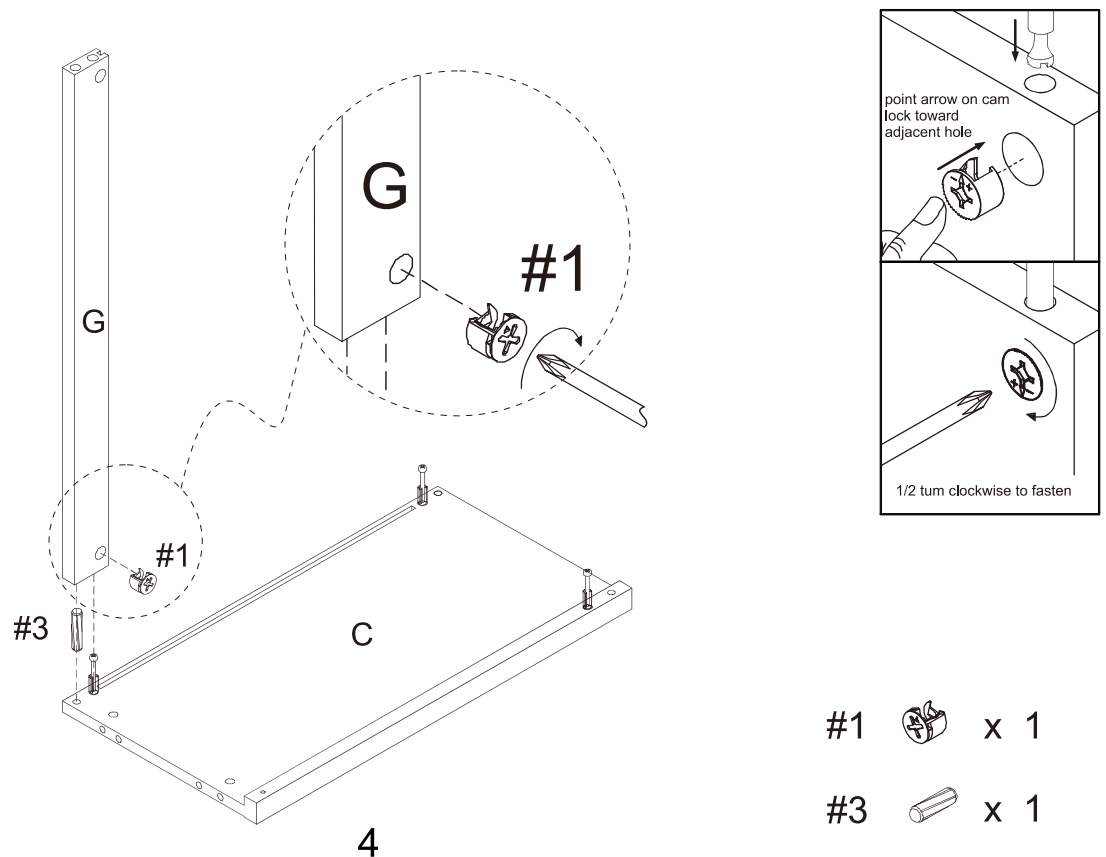
Step 1. Attach cam bolts (part #2) to panels (parts A, B & C) using phillips head screwdriver.

Note: Do not overtighten cam bolts. Stop tightening once threads on cam bolt are no longer visible.



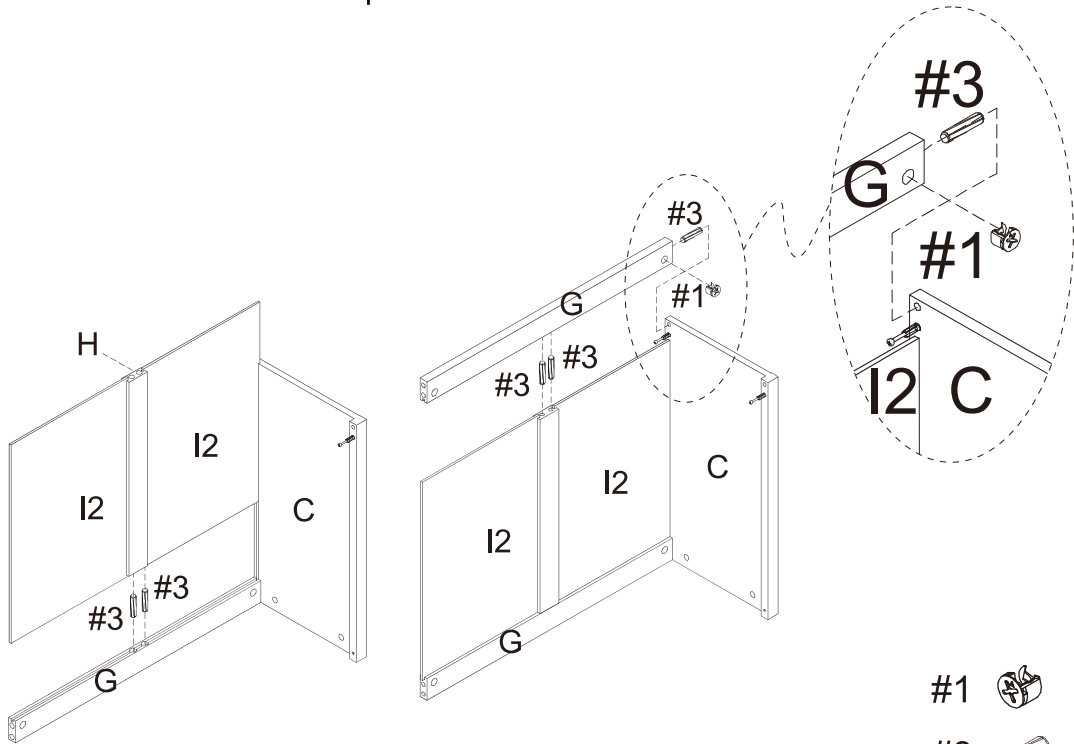
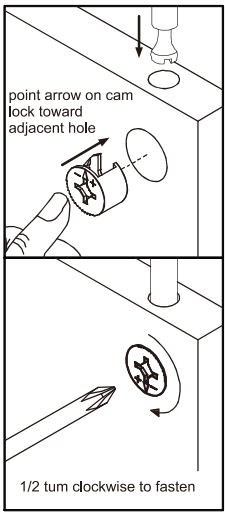
Step 2. Attach back rail (part G) to right panel (part C) using short wood dowel (part #3), cam lock (part #1) and phillips head screwdriver.


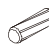
Note: Cam locks must rotate full 180°. See pictured insert.



Step 3. Attach back center rail (part H) to back rail (part G) using short wood dowels (part #3) and slide back panels (part I2) into place. Attach back rail (part G) to assembled unit (parts C, H & I2) using short wood dowels (part #3), cam lock (part #1) and phillips head screwdriver.

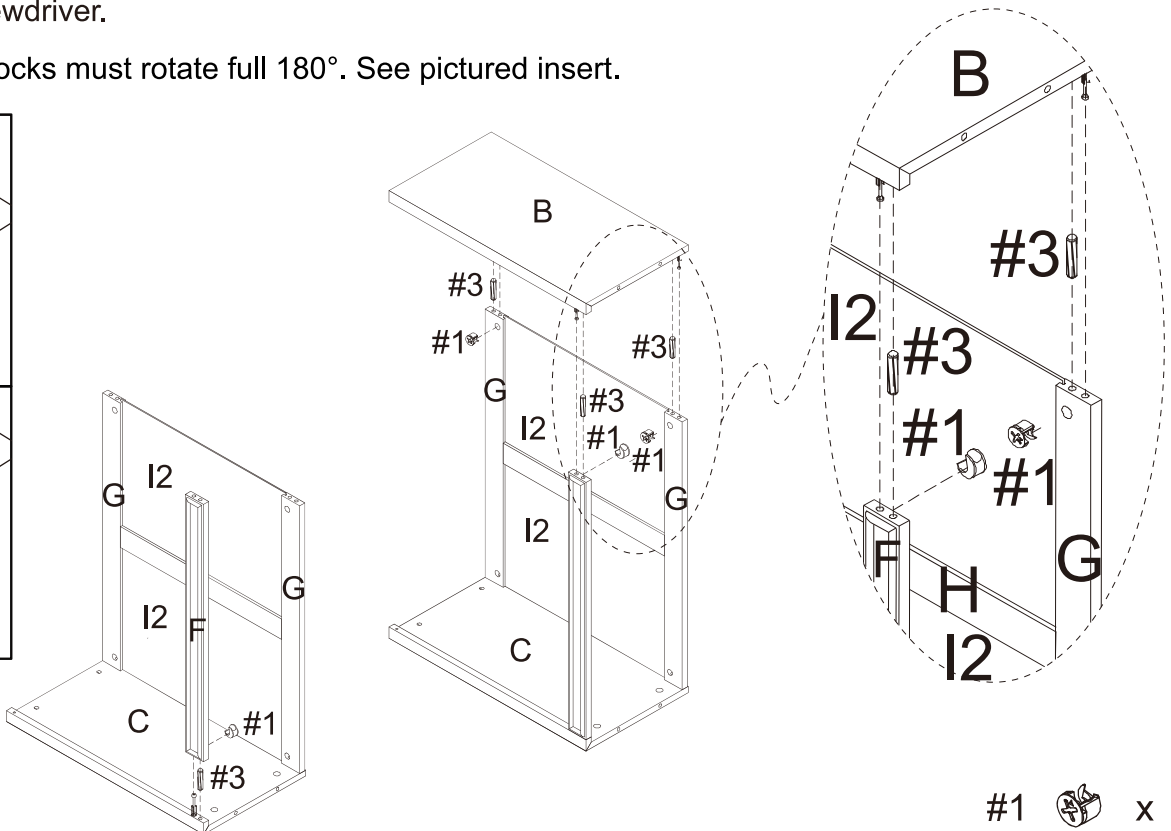
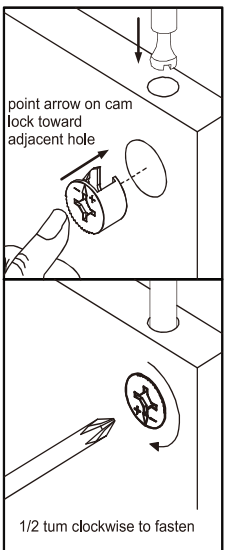
Note: Cam locks must rotate full 180°. See pictured insert.



- #1  x 1
- #3  x 5

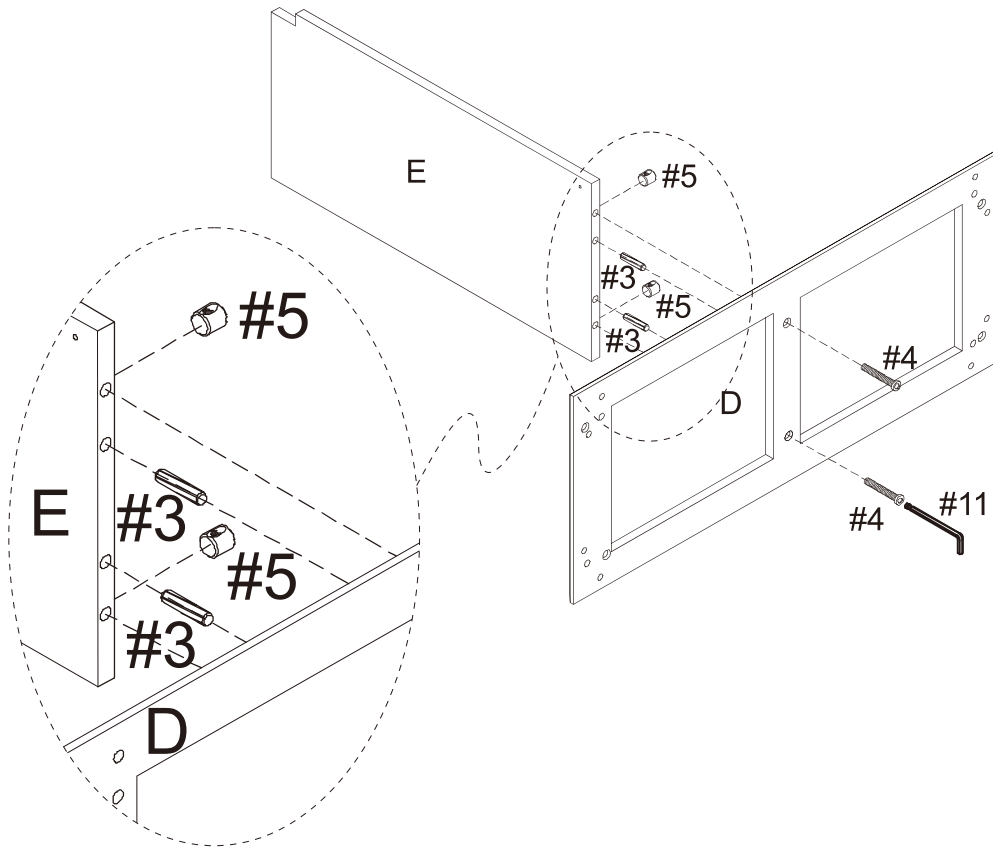
Step 4. Attach front rail (part F) to right panel (part C) using short wood dowels (part #3), cam locks (part #1) and phillips head screwdriver. Attach left panel (part B) to assembled unit (parts F, G & I2) using short wood dowels (part #3), cam locks (part #1) and phillips head screwdriver.

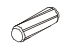



Note: Cam locks must rotate full 180°. See pictured insert.



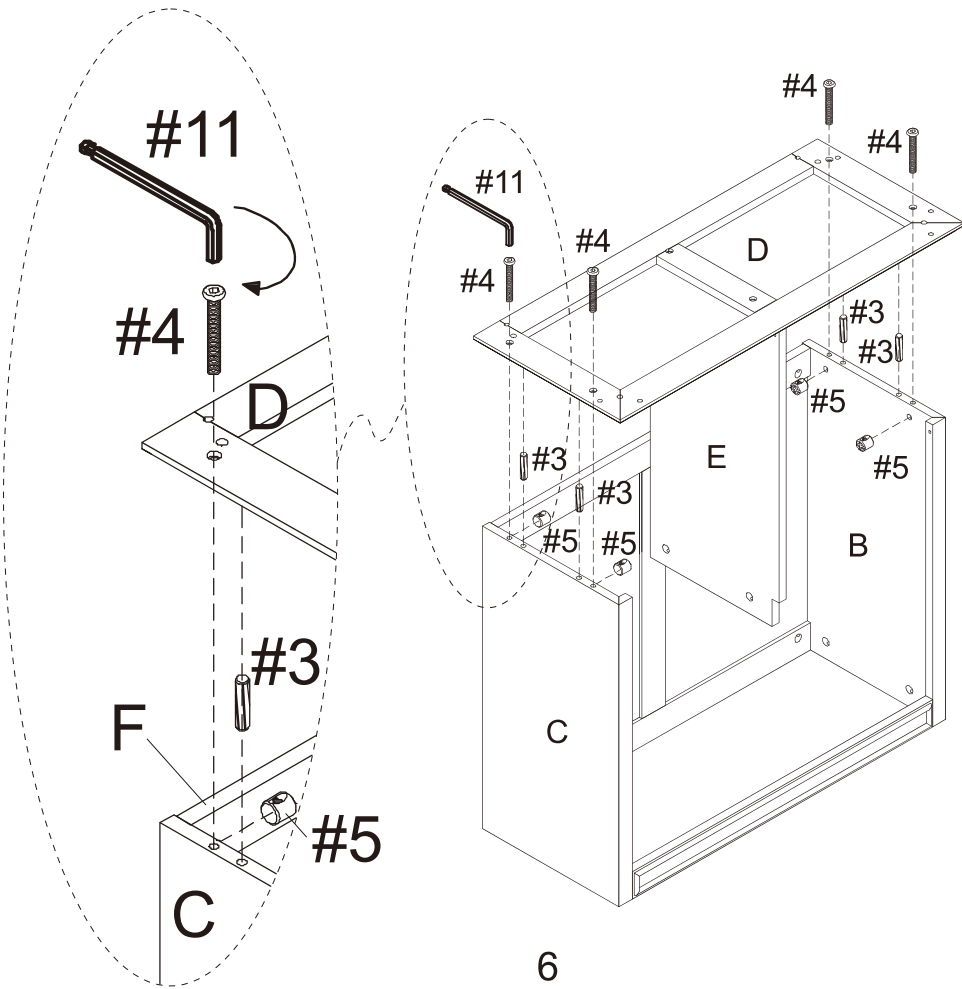
- #1  x 4
- #3  x 4





Step 5. Attach center panel (part E) to bottom panel (part D) using short wood dowels (part #3), long bolts (part #4), barrel nuts (part #5) and allen wrench (part #11).



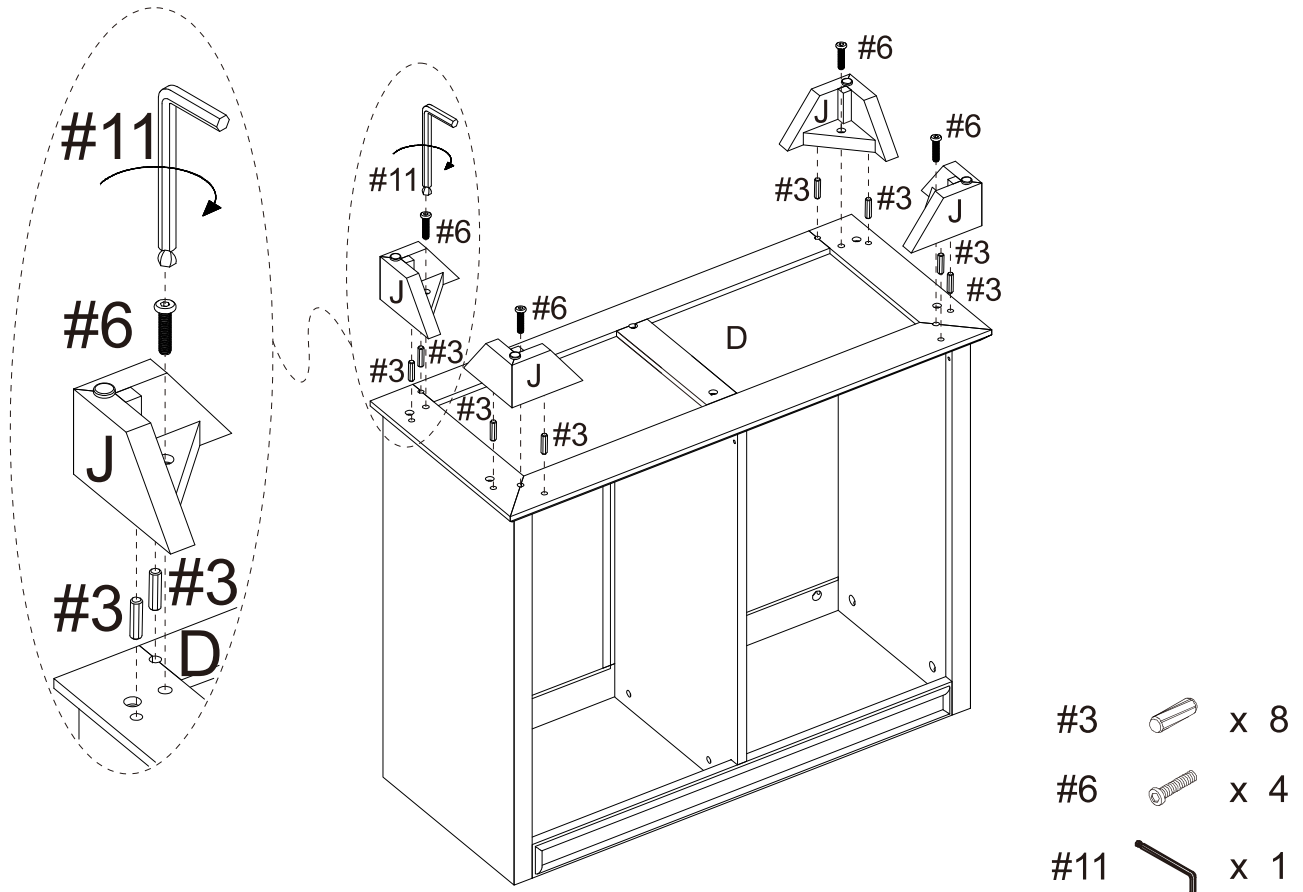
- |     |  |     |
|-----|--|-----|
| #3  |   | x 2 |
| #4  |   | x 2 |
| #5  |   | x 2 |
| #11 |  | x 1 |

Step 6. Attach assembled unit (parts D & E) to assembled unit (parts B & C) using short wood dowels (part #3), long bolts (part #4), barrel nuts (part #5) and allen wrench (part #11).



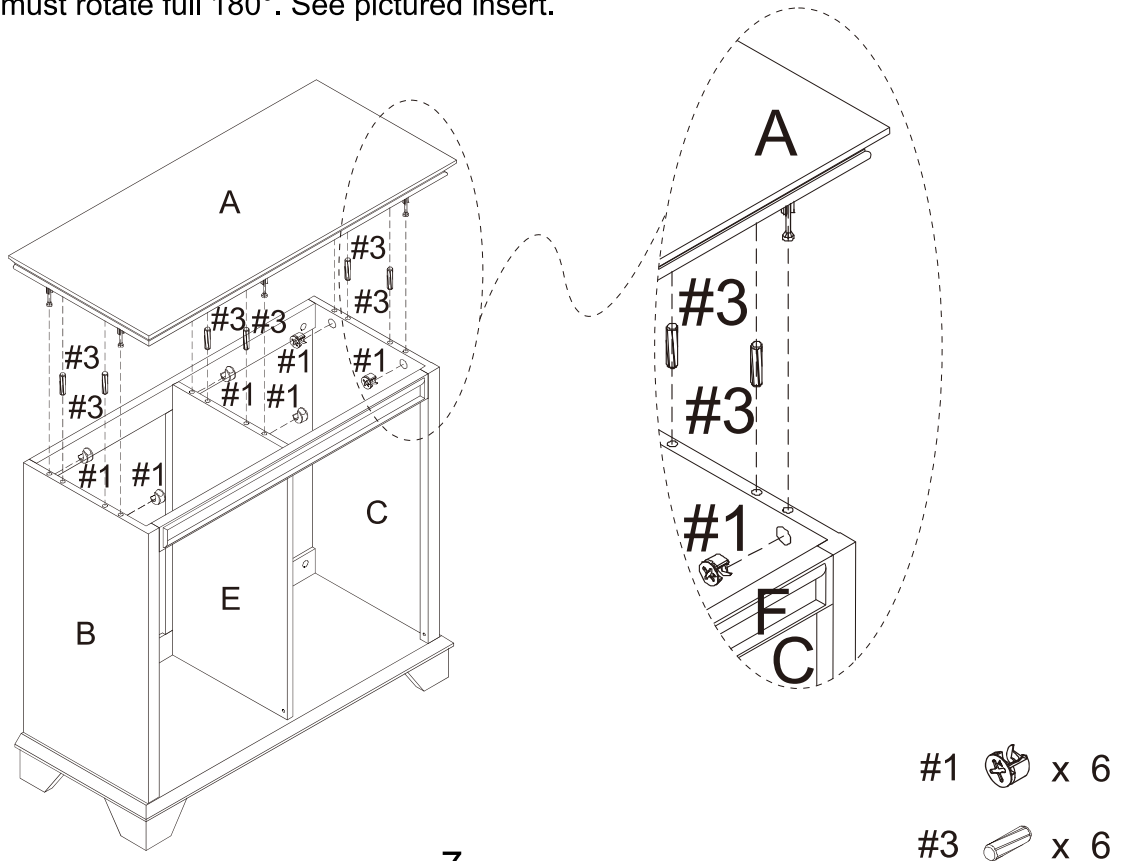
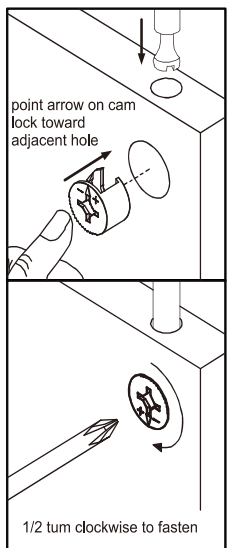
- |     |   |     |
|-----|---|-----|
| #3  |  | x 4 |
| #4  |  | x 4 |
| #5  |  | x 4 |
| #11 |  | x 1 |

Step 7. Attach legs (part J) to bottom panel (part D) using short wood dowels (part #3), short bolts (part #6) and allen wrench (part #11).

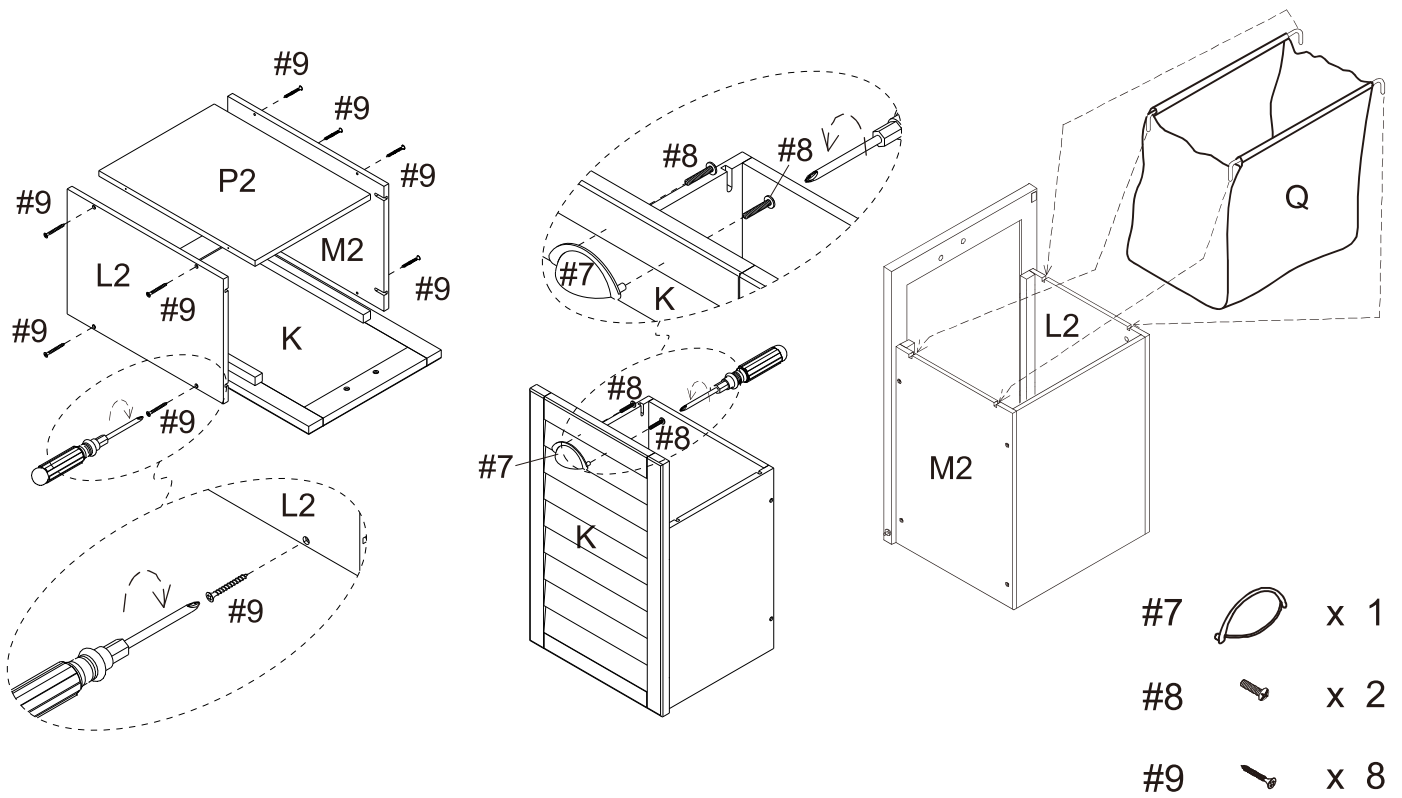


Step 8. Attach top panel (part A) to assembled unit (parts B, C & E) using short wood dowels (part #3), cam locks (part #1) and phillips head screwdriver.

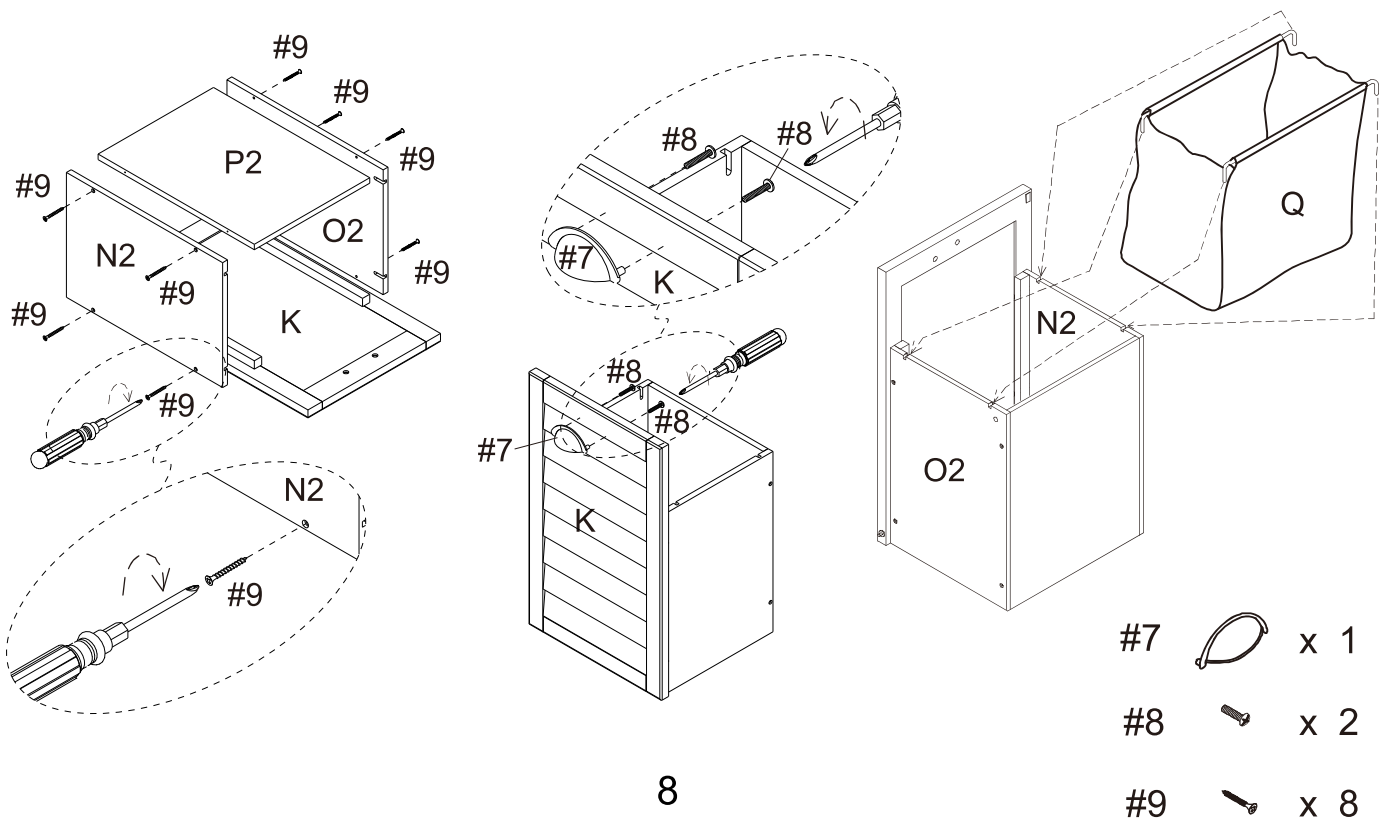
Note: Cam locks must rotate full 180°. See pictured insert.



Step 9. Attach right panel of left box (part M2) and left panel of left box (part L2) to box front panel (part K) and box back panel (part P2) using screws (part #9) and philips head screwdriver. Attach handle (part #7) to box front panel (part K) using round head bolts (part #8) and phillips head screwdriver. Attach bag (part Q) into box and secure by inserting rods into predrilled holes.



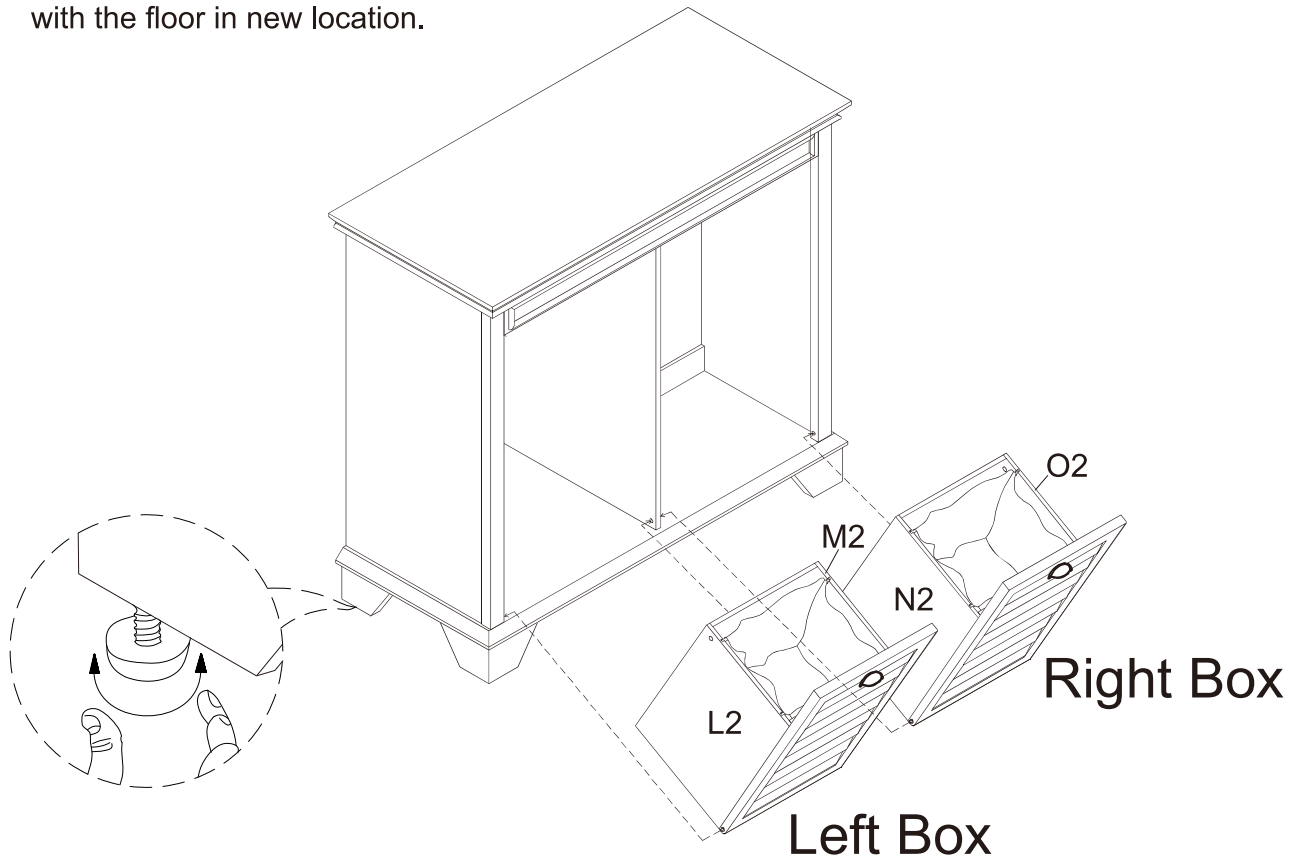
Step 10. Attach right panel of right box (part O2) and left panel of right box (part N2) to box front panel (part K) and box back panel (part P2) using screws (part #9) and philips head screwdriver. Attach handle (part #7) to box front panel (part K) using round head bolts (part #8) and phillips head screwdriver. Attach bag (part Q) into box and secure by inserting rods into predrilled holes.





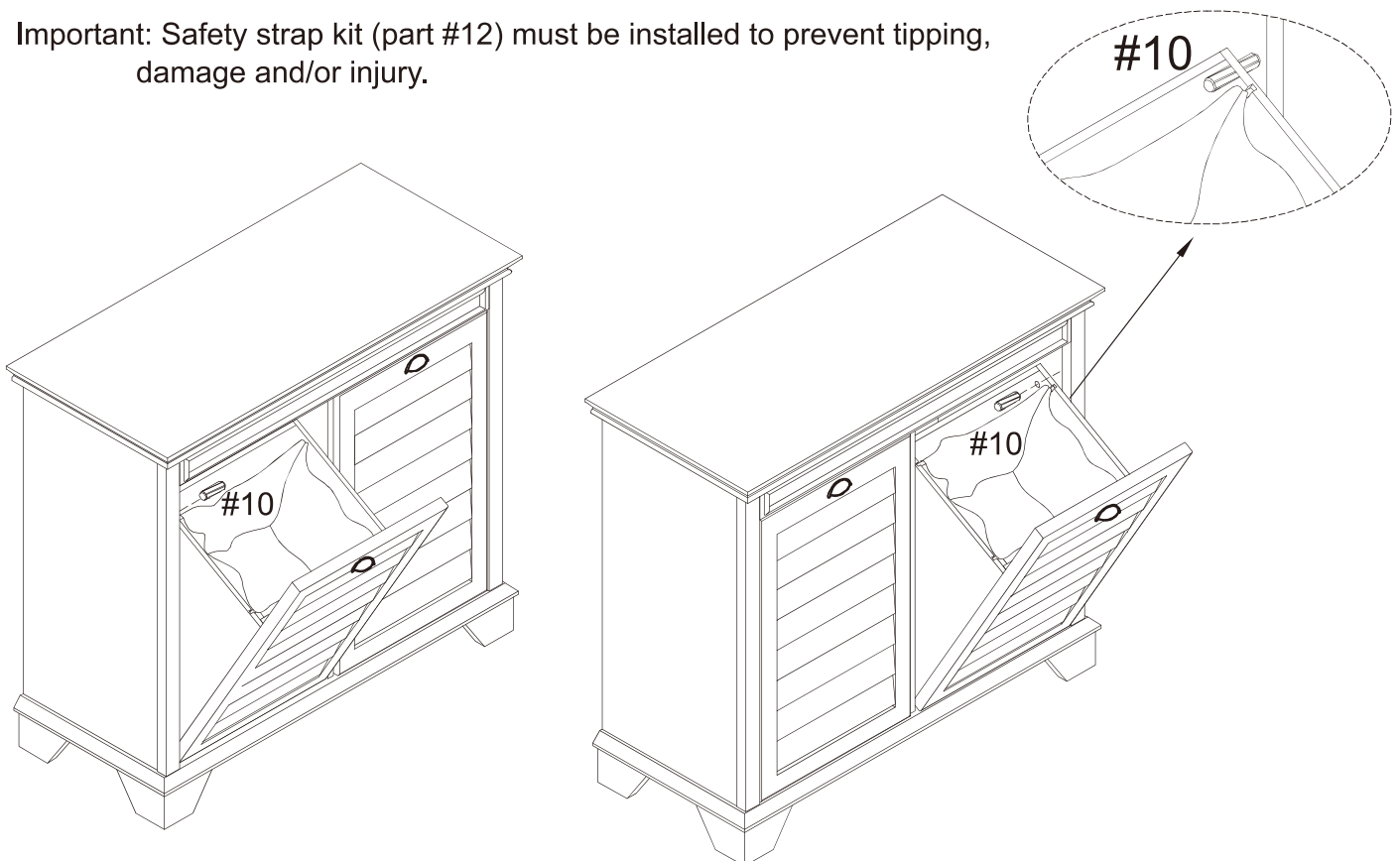
Step 11. Attach left box and right box into place as shown.





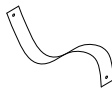

Note: It is important to adjust levelers once fully assembled and upright. Extend adjustable leveler until it's firmly in contact with the floor. If relocating, adjust leveler as needed until it's firmly in contact with the floor in new location.



Step 12. Attach long wood dowels (part #10) through the box hole into the cabinet to help hold the box in place.

Important: Safety strap kit (part #12) must be installed to prevent tipping, damage and/or injury.



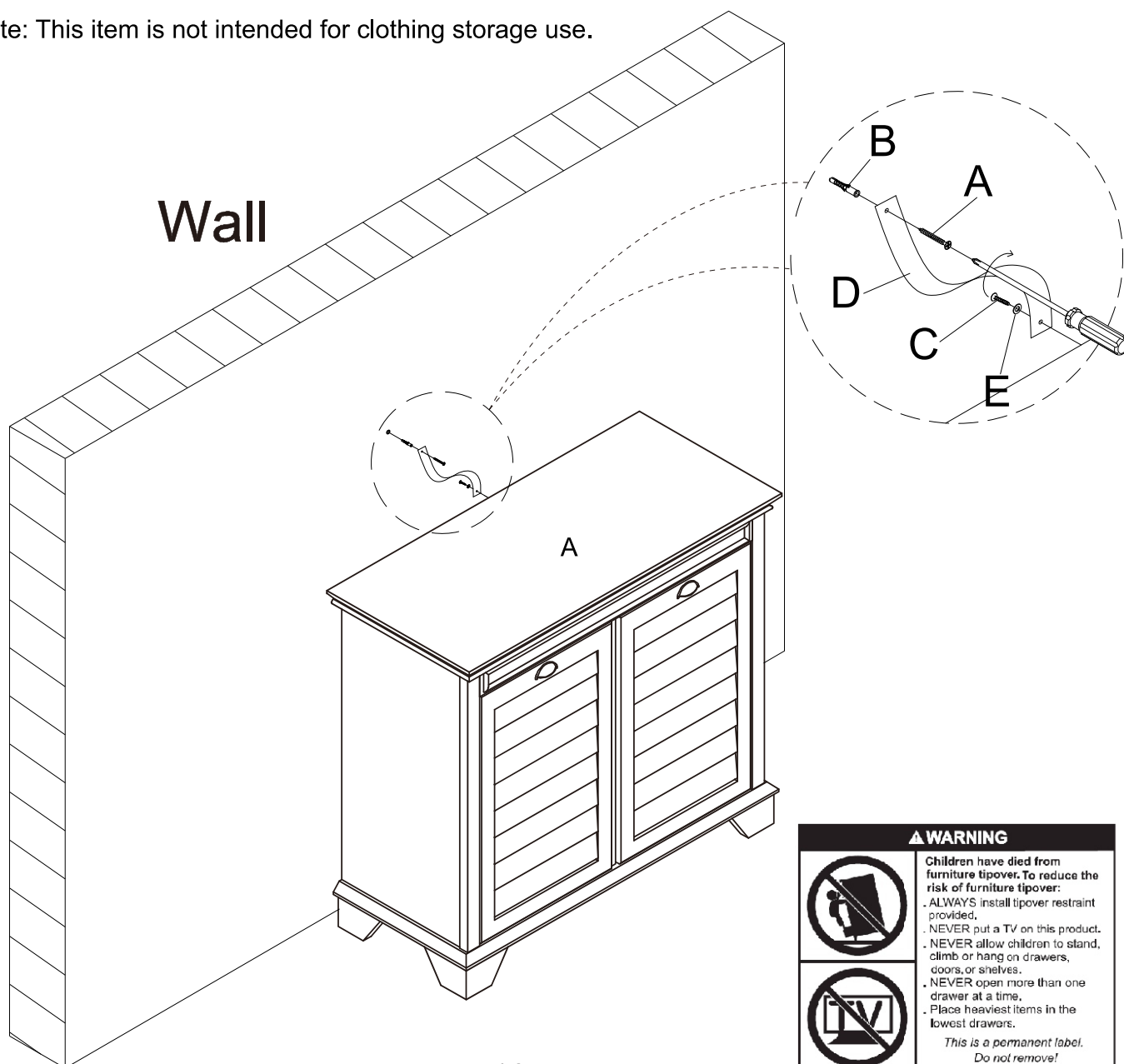
#12 	A  1-1/2"xØ4xD8	B  Wall Anchor 1 PC	C  5/8"xØ3xD8	D  Safety Wall Strap 1 PC	E  Flat Washer 1 PC
Safety Strap Kit 1 SET	Long Screw 1 PC	Wall Anchor 1 PC	Short Screw 1 PC	Safety Wall Strap 1 PC	Flat Washer 1 PC

## SAFETY WALL STRAP INSTALLATION

Note: It is highly recommended to install this safety strap kit to prevent tipping, damage and/or injury

1. Insert short screw (C) through flat washer (E) and safety wall strap (D) and attach to top panel (part A) using phillips head screwdriver.
2. Drill a 11/32" hole where you want to secure the unit. The drilled hole will be at the same height as the hole in top panel (part A) where safety wall strap (D) is attached. Tap wall anchor (B) into the hole.
3. Insert long screw (A) through safety wall strap (D) into wall anchor (B) using phillips head screwdriver.

Note: This item is not intended for clothing storage use.



<b>▲ WARNING</b>	
	<p>Children have died from furniture tipover. To reduce the risk of furniture tipover:</p> <ul style="list-style-type: none"> <li>• ALWAYS install tipover restraint provided.</li> <li>• NEVER put a TV on this product.</li> <li>• NEVER allow children to stand, climb or hang on drawers, doors, or shelves.</li> <li>• NEVER open more than one drawer at a time.</li> <li>• Place heaviest items in the lowest drawers.</li> </ul>
	<p><i>This is a permanent label. Do not remove!</i></p>