

0317780UVM

Model / Modèle : PB200P

Part / Pièce : 75275

Important: Read carefully, save these instructions!

Important : Lire attentivement et conserver ces instructions!



PORTABLE GAS GRILL INSTRUCTIONS AND USE

GRILL À GAZ PORTATIF INSTRUCTIONS ET UTILISATION

WARNING: Please read the entire manual before installation and use of this gas appliance. Failure to follow these instructions could result in property damage, bodily injury or even death.

AVERTISSEMENT : Veuillez lire l'intégralité du manuel avant l'installation et l'utilisation de cet appareil à gaz. Le non-respect de ces instructions peut entraîner des dommages aux biens, des blessures ou même la mort.



MANUAL **MUST** BE READ BEFORE OPERATING!
VOUS **DEVEZ** LIRE CE GUIDE AVANT D'UTILISER LE BARBECUE!

TABLE OF CONTENTS

A COMPLETE GUIDE TO COOKING WITH YOUR PORTABLE GAS GRILL

Safety Information	4
Basic Safety Information	4
The Fuel System.....	5
Package Contents	7
Preparation.....	8
Assembly Instructions.....	8
Installation Instructions	10
Gas Hook-Up	10
Liquid Propane Cylinder Requirements.....	10
Connecting the Liquid Propane Cylinder	11
Disconnecting the Liquid Propane Cylinder.....	11
Leak Testing.....	12
Installer Final Check.....	13
Operating Instructions	14
Lighting the Grill	14
Turning the Grill Off	15
Flame Characteristics	15
Using the Grill	15
Care and Maintenance	16
Troubleshooting	19
Before Calling Customer Service	19
Replacement Parts	20
Warranty	22

SAFETY INFORMATION

Please read the following instructions carefully before attempting to assemble or operate the product. Failure to follow these instructions could result in property damage and/or serious bodily injury.

LP- gas supply cylinder to be used must be constructed and marked in accordance with the specifications for LP-gas cylinders of the U.S Department of Transportation (DOT) or the National Standard of Canada, CAN-B339, Cylinders, Spheres and Tubes for the Transportation of Dangerous Goods

1. The installation must conform with local codes or, in the absence of local codes, with the National Fuel Gas Codes, ANSI Z223. 1/NFPA 54, Storage and Handling of Liquefied Petroleum Gases, ANSI/NFPA 58.
2. The portable grill is for **OUTDOOR USE ONLY**. Grill should be operated in a well-ventilated space. Never operate in an enclosed space, garage or building. Your grill is not intended to be installed in or on recreational vehicles and/or boats.
3. Heated liquids remain at scalding temperatures long after the cooking process. Do not touch the cooking appliance until the liquids have cooled to 115°F (45°C) or less.
4. Do not install or use grill within 36" of combustible materials. The grill should not be located under overhead surfaces (closed carports, garage, porch, patio) that can catch fire.
5. Never attempt to attach this grill to the self-contained LP gas system of a camper trailer or motor home.
6. It is the responsibility of the assembler/owner to assemble, install and maintain your gas grill. Do not let children or pets operate or play near your portable grill. Failure to follow these instructions could result in serious personal injury and/or property damage.
7. Open lid before lighting grill. When grill is not in use, turn off control knob on LP gas cylinder.
8. Carefully follow instructions in this manual for proper assembly and leak testing of your grill. Do not use grill until leak-checked. If a leak is detected at any time, it must be stopped and corrected before using the grill any further.
9. Appliance area should be kept clear and free from combustible materials, gasoline,

SAFETY INFORMATION

bottled gas in any form and other flammable vapors and liquids. Do not obstruct the flow of combustion and ventilation air.

10. Never try to light grill with lid closed! Buildup of gases is very dangerous and could cause an explosion.
11. Keep any electrical cord or fuel supply hose away from any heated surfaces.
12. Propane is a flammable gas and improper handling may result in explosion and/or fire and serious accident or injury.
13. This appliance will be hot during and after use. Use insulated oven mitts or gloves for protection from hot surfaces or splatter from cooking liquids.
14. Do not leave your grill unattended while in operation.
15. Do not use while under the influence of drugs or alcohol.
16. Do not store any spare LP (propane) cylinder, full or empty, under or near your grill.
17. Appliance is not intended for commercial use or rental.
18. The cylinder must be disconnected when the appliance is not in use.

Natural Hazard • Spiders

FACT: Sometimes spiders and other small insects climb into the burner tube. The spiders spin webs, build nests and lay eggs. The webs or nests can be very small, but they are very strong and can block the flow of gas. Clean the burner prior to use after storing, at the beginning of grilling season or after a period of one month not being used.

The Fuel System

Gas grills are used safely by millions of people when following simple safety precautions.

The items in the fuel system are designed for operation with this grill. They must not be replaced with any brand. (See parts list for replacement items.)

Gas Burner: The gas burner is constructed of stainless steel and should not require maintenance other than inspection for insects/nests inside the air intake slots.

SAFETY INFORMATION

Fuel Supply Hose: The hose-connected regulator provided with this appliance is 38 inches in length. Keep the fuel hose away from any heated surfaces.

Propane Fuel: Warning - propane is a flammable gas. Improper handling may result in an explosion and/or fire and serious accident or injury. Your grill is designed to operate with propane (LP) gas only and is equipped with the proper orifice for propane gas.

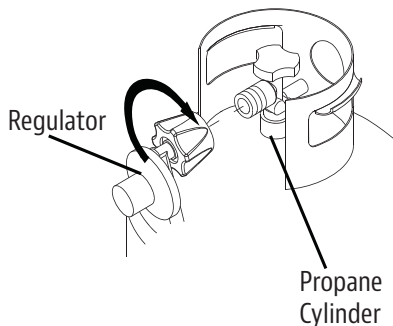
Caution: Do not connect this grill with any gas supply other than propane. Propane gas is heavier than air and settles in lower areas. Make certain adequate ventilation is available when using your grill. The gas cylinder may be stored outside in a well-ventilated area out of reach of children when the grill is not in use. If the appliance is not in use, the gas must be turned off at the supply cylinder.

The LP gas cylinder shall be used only outdoors in a well-ventilated space and not in a building, garage, or any other enclosed area. The Portable Gas Grill may be stored indoors if the LP gas cylinder is removed and stored outside. The LP gas cylinder (not included) is threaded for connection directly to the gas regulator supplied with this appliance. Care should be taken when threading the cylinder to the regulator to engage threads correctly to achieve the proper and intended connection. When disconnecting or connecting the gas cylinder, be careful that the regulator does not strike the grill, the ground, or any other surfaces. Replace the protective cap over the threaded cylinder connection when removed from the grill. If any difficulty occurs when connecting or disconnecting the cylinder to the regulator assembly, contact your local gas supplier for assistance.

When re-connecting the LP gas cylinder to the regulator, be sure to hand-tighten until snug. This connection should be inspected for damage and leak tested after each re-connection.

To leak test, make a soap solution of one part liquid detergent and one part water. You will need a spray bottle, brush, or rag to apply the solution to the fitting. Bubbles indicate leaks.

Check all gas supply fittings for leaks before each use. Do not use the grill until all connections have been checked and do not leak.



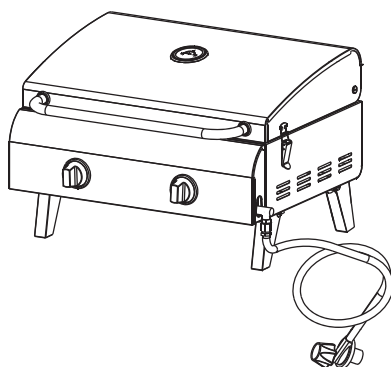
SAFETY INFORMATION

WARNING

- Always operate the grill on a tabletop, no higher than 32 inches.
- Place the propane tank on the ground immediately adjacent to the tabletop, no less than 24 inches from the grill.
- Failure to follow these instructions could cause the propane tank to overheat and vent propane which could ignite. This could cause serious personal injuries or property damage and/or a tripping hazard over the gas hose or propane tank.

PACKAGE CONTENTS

Part	Qty	Description
1	1	Grill
2	4	Foldable Legs
3	2	Knob
4	1	Cooking Grid
5	2	Flame Tamer
6	1	Grease Tray
7	1	Thermostat
8	1	Hose



PREPARATION

Before beginning assembly, installation or operation of product, make sure all parts are present. Compare parts with package contents list and diagram above. If any part is missing or damaged, do not attempt to assemble, install or operate the product. Contact customer service for replacement parts.

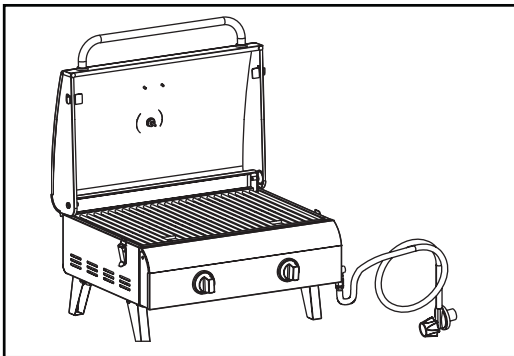
- Your Portable Gas Grill is pre-assembled. The only assembly required is to place the flame tamers, cooking grid and control knobs into the grill.
- Estimated Assembly Time: 5 minutes.

Warning: this appliance is not intended for and should never be used as a heater.

ASSEMBLY INSTRUCTIONS

1. Remove all the packing materials and move grill close to a desired location.
2. Place on the control knobs as shown in Fig. 1. Push and turn the knob and check for sparks.

Figure 1

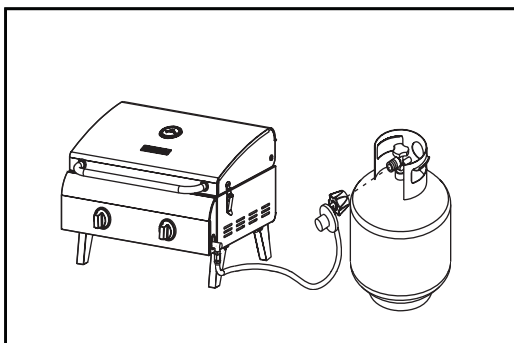


ASSEMBLY INSTRUCTIONS

3. Attach the regulator with the 38 inch hose to the propane cylinder by turning the regulator handle clockwise as shown in Fig. 2. If the outdoor cooking appliance is not in use, the gas must be turned "OFF" at the Liquid Propane cylinder.

Check all gas supply fittings for leaks before each use. Do not use the grill until all connections have been checked and do not leak (see "Leak Testing" instructions on page 6).

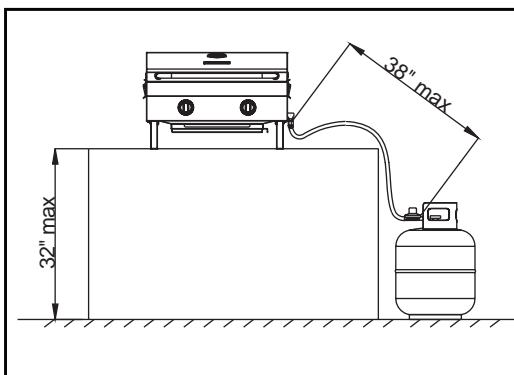
Figure 2



4. Place the portable grill on the desk as shown in Fig. 3.

Note: This portable grill is used with a 38" gas hose, we suggest to use this grill on a 3 foot high table.

Figure 3



INSTALLATION INSTRUCTIONS

GAS HOOK-UP

Only the pressure regulator and hose assembly supplied with the grill should be used. Any replacement pressure regulator and hose assembly must be specified by the grill manufacturer. This grill is configured for Liquid Propane. Do not use a Natural Gas supply.

Total gas consumption (per hour) with all burners set on "HI":

Main burners	20,000 BTU/Hr.
Total	20,000 BTU/Hr.

The installation of this appliance must conform with local codes or, in the absence of local codes, with either the National Fuel Gas Code, ANSI Z223.1/NFPA 54, National Gas Propane Installation Code, CSA B149.1, or Propane Storage and Handling Code, B149.2.

LIQUID PROPANE CYLINDER REQUIREMENTS (20 lb Cylinder)

A dented or rusty Liquid Propane cylinder may be hazardous and should be checked by your supplier. Never use a cylinder with a damaged valve. The Liquid Propane cylinder must be constructed and marked in accordance with specifications for Liquid Propane cylinders by the United States Department of Transportation (DOT) or the National Standard of Canada, CAN/CSA-b339, Cylinders, Spheres and Tubes for Transportation of Dangerous Goods Commission.

The 20-lb cylinder must have a shut off valve terminating in a valve outlet specified, as applicable, for connection type QCC1 in the standard for compressed gas cylinder valve outlet and inlet connection ANSI/CGA-V-1.

Storing your portable gas grill indoors is permissible only if the cylinder is disconnected and removed from the outdoor cooking gas appliance. The cylinder system must be arranged for vapor withdrawal. The cylinder must include a collar to protect the cylinder valve.

Manifold pressure: (operating) 11 inches water column (W.C.), (Non-operating) 11.2 inches water column (W.C.).

The Liquid Propane cylinder must be fitted with an Overfill Protection Device (OPD).

Remove plastic valve cover from the Liquid Propane cylinder. Make sure the grill gas hoses do not contact the grease pan or grill firebox when the Liquid Propane cylinder is placed into the cart.

INSTALLATION INSTRUCTIONS

CONNECTING THE LIQUID PROPANE CYLINDER

To connect the Liquid Propane gas supply cylinder:

- The cylinder valve should be in the "OFF" position. If not, turn the valve clockwise until it stops.
- Make sure the cylinder valve has the proper type-1 external male thread connections per ANSI z21.81.
- Make sure the burner valves are in the "OFF" position.
- Inspect the valve connections, port and regulator assembly. Remove debris and inspect the hose for damage.
- When connecting the regulator assembly to the valve, use your hand to tighten the nut clockwise until it stops. Use of a wrench could damage the quick coupling nut and result in a hazardous situation.
- Before lighting the grill, use a soap and water solution to check all the connections for leaks.
- If a leak is found, turn the cylinder valve "OFF" and do not use the grill until a local Liquid Propane dealer can make repairs.

DISCONNECTING THE LIQUID PROPANE CYLINDER

- Turn the grill burner valves "OFF" and make sure the grill is cool.
- Turn the Liquid Propane cylinder valve "OFF" by turning clockwise until it stops.
- Detach the regulator assembly from the cylinder valve by turning the quick coupling nut counterclockwise.
- Place dust cap on cylinder valve outlet whenever the cylinder is not in use. Only install the type of dust cap on the cylinder valve outlet that is provided with the cylinder valve. Other types of caps or plugs may result in leakage of propane.

INSTALLATION INSTRUCTIONS

LEAK TESTING - GENERAL

Although gas connections on the grill are leak tested prior to shipment, a complete leak test must be performed at the installation site. Before each use, check all gas connections for leaks using the procedures listed below.

If the smell of gas is detected at any time, you should immediately check the entire system for leaks.

BEFORE TESTING

Make sure all packing materials have been removed from the grill, including the burner tie-down straps.

WARNING

Check all gas supply fittings for leaks before each use. Do not use the grill until all connections have been checked and do not leak. Do not smoke while leak testing. Never leak test with an open flame.

Make a solution of one part liquid detergent and one part water. You will need a spray bottle, brush, or rag to apply the solution to the fittings. For the initial leak test, make sure the Liquid Propane cylinders is full.

TO TEST

1. Turn the burner valves off.
2. Turn the Liquid Propane cylinder valve counterclockwise to open the valve.
3. Apply a soap solution to all gas fittings. Soap bubbles will appear where a leak is present.
4. If a leak is present, immediately turn the gas supply "OFF" and tighten leaky fittings.
5. Turn the gas back "ON" and recheck.
6. Should the gas continue to leak from any of the fittings, turn the gas supply "OFF" and contact customer service.
7. If there is evidence of excessive abrasion or wear, or the hose is cut, it must be replaced prior to use.

Only those parts recommended by the manufacturer should be used on the grill. Substitutions will void the warranty.

INSTALLATION INSTRUCTIONS

WARNING

Do not store grill indoors unless the cylinder is disconnected. Do not store cylinder in a building, garage, or any other enclosed area, and keep out of reach of children at all times.

INSTALLER FINAL CHECK

Maintain specified clearance of 36 inches from combustible materials and construction

- All internal packaging has been removed.
- The hose and regulator are properly connected to the Liquid Propane cylinder.
- The unit has been tested and is free of leaks.
- The gas supply shutoff valve has been located.
- All burners are installed.
- Keep the instruction manual for future reference.

WARNING

1. The grill and its individual shutoff valve must be disconnected from the gas supply piping system during any pressure testing of that system at test pressure in excess of 1/2-in. PSI (3.5kpa).
2. The outdoor cooking gas appliance must be isolated from the gas supply piping system by closing its individual manual shutoff valve during any pressure testing of the gas supply piping system at test pressure equal to or less than 1/2-in. PSI (3.5kpa).

WARNING

1. Do not store spare Liquid Propane cylinders under or near this appliance.
2. Never fill the cylinder beyond 80 percent capacity.
3. If the information in item 1&2 is not followed exactly, a fire causing death or serious injury may occur.

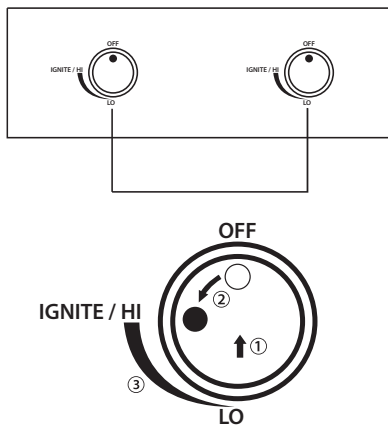
OPERATING INSTRUCTIONS

LIGHTING THE GRILL

1. Place the legs in up position.
2. Make sure the propane cylinder is tightly threaded into the regulator (hand tighten only).
3. Open lid. Always open lid when lighting.
4. Push and turn Main burner knob slowly to IGNITE/HI as showed in Figure 4, burner should light immediately
5. If ignition does not occur in 3-5 seconds, turn the control knob "OFF". Wait 5 minutes before attempting to re-light the grill. If the grill fails to ignite after the second attempt, call customer service for assistance. With burner lit, gently close the lid and allow the grill to warm up for 5 minutes prior to use.

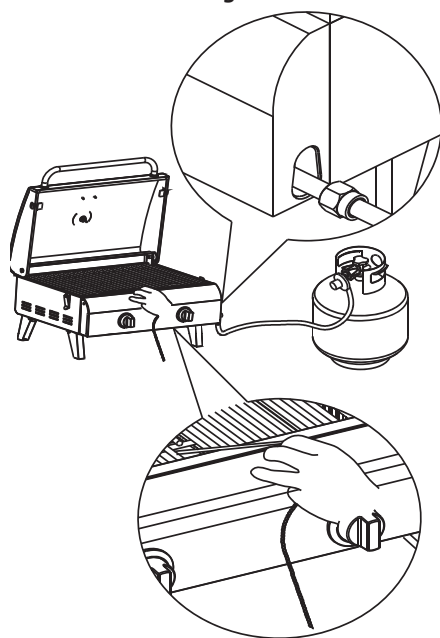
Note: If the knob can't spark, insert the match into the lighting rod as showed in Figure 5. Ignite the match and insert through the cooking grids to the burner.

Figure 4



1. Push
2. Turn knob to Ignite/Hi
3. Adjust Flame

Figure 5



OPERATING INSTRUCTIONS

TURNING THE GRILL OFF

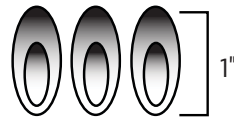
1. Turn knob to "OFF" position.
2. Turn the propane cylinder control knob to the "OFF" position.
Caution: Do not attempt to re-light the grill without following all the lighting instructions.
3. Allow the grill body to cool at least 30 minutes before attempting to move or transport.
4. Remove and clean grease tray prior to transporting, then reinstall.

FLAME CHARACTERISTICS

- Check for proper burner flame characteristics. Burner flames should be blue and stable with no yellow tips, excessive noise, or lifting as shown in Figure 6.
- Turn the control knobs and Liquid Propane cylinder valves "OFF".
- Allow the grill and burners to cool.



Figure 6



Visually check the burner flames prior to each use, the flames should look like this picture, if they do not, refer to the burner main tenancy part of this manual.

USING THE GRILL

1. Find a level surface to grill on.
2. Allow the grill to warm up with the lid closed for 5 minutes prior to cooking.
3. You may cook on the grill in any weather. If the temperature is extremely cold or hot, the cooking times will be slightly increased or decreased. Keep the grill out of excessive winds when operating.

CARE AND MAINTENANCE

There is very little care and maintenance needed. The portable gas grill is designed and made of materials that will last many years with normal use. Following these instructions will improve the longevity and quality of cooking. To ensure safe operation of your grill, the cooking area should always be kept free of combustible materials of any type, such as gasoline or other flammable vapors or liquids.

Outside Grill Parts - This is stainless steel. It can be cleaned easily with warm soapy water or any stainless steel cleaner.

Cooking Grid and Grease Tray - The cooking grid is made of stainless steel. The cooking grid should be brushed with a steel brush immediately after cooking, while the grill is still warm. The grease tray is also stainless steel and can be cleaned with a flat scraper such as a putty knife.

Caution: The grease tray must be kept clean and free of heavy build-up for the grill to perform properly and to eliminate flare-ups.

Grill Main Burners - Extreme care should be taken when removing a burner. It must be correctly centered on the orifice before any attempt is made to relight the grill. Frequency of cleaning will depend of how often you use the grill.

Failure to properly place the burner over the orifice could cause a fire to occur behind and beneath the valve panel, thereby damaging the grill and making it unsafe to operate. Before cleaning, make sure the gas supply and control knobs are in the "OFF" position and the burners have cooled.

To remove the main burners for cleaning:

1. Locate the burner screw at the rear of the firebox.
2. Remove the screw and lift the burner out of the firebox.

CARE AND MAINTENANCE

To clean the grill burners:

1. Clean the exterior of the burner with a wire brush. Use a metal scraper for stubborn stains and debris.
2. Clear clogged ports with a straightened paper clip. Never use a wooden toothpick as it may break off and clog the port.
3. Check and clean burners / venturi tubes for insects and insect nests. A clogged tube can lead to a fire beneath, and behind, the main control panel.

To reinstall the main burners:

1. Insert the burner over the main burner gas valve (part# 11 on page 19)
2. Make sure orifice spud (A) is inside the burner venturi (B) as shown in Figure 7.
3. Align the burner screw hole with the firebox hole, insert screw and tighten.

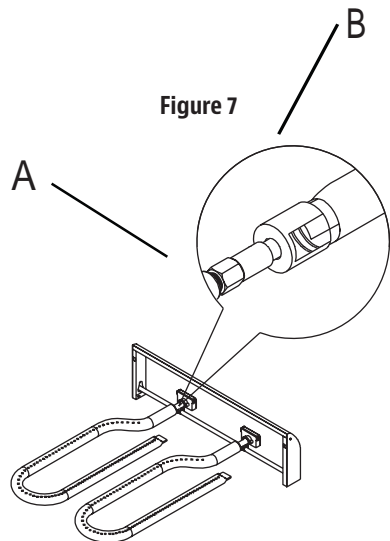
Firebox - Use warm soapy water to clean this area. Do not allow grease to build up.

Drain Hole - The drain hole must be kept clear of grease and good particles to allow drippings to drain properly into the grease tray. This must be done to maintain proper operation of your grill.

General - This grill, like all equipment, will look better and last longer if kept out of the weather when not in use.

Caution: Do not store propane cylinders in enclosed areas. When using a cover or moving the grill, always wait until the grill has cooled for at least 30 minutes.

- Do not obstruct the flow of combustion and ventilation air.
- A clogged tube can lead to fire beneath the appliance.



CARE AND MAINTENANCE

This unit **must** be kept in an area free from combustible materials, gasoline and other flammable vapors and liquids.

Make sure all openings into the grill body are free of blockages or debris and there are no objects or materials blocking the flow of combustion or ventilation. Make sure the legs are in the up position when using the grill.

Check burner air inlet openings (behind the inlet guard on the right end of the grill body) for insect nests or blockages. Make sure the slots in the burner tube are clear.

When the grill is not in use, turn the control knob to the "OFF" position and remove the propane cylinder from the regulator. Remove the regulator from the burner.

For outdoor use only. If stored indoors, detach propane cylinder and store outdoors. Propane cylinders must be stored out of reach of children.

IMPORTANT

First-time use: It is important that the grill be lit and allowed to heat up for at least 30 minutes before any food is placed on the cooking grid. It is normal for some smoke to appear during the initial operation of the grill. After initial heating, the grill is ready for use. A cooking spray can be used on the cooking grids to allow easier clean up.

THIS COOKING APPLIANCE IS FOR OUTDOOR USE ONLY AND SHALL NOT BE USED IN A BUILDING, GARAGE OR ANY OTHER ENCLOSED AREA.

MOVING INSTRUCTIONS

Caution: Never move the grill with burner lit.

- Make sure control knob is in the "OFF" position. Disconnect the propane cylinder from the regulator.
- Be sure the grill has completely cooled for at least 30 minutes.
- Close the lid and secure the latch. Remove and clean grease tray, then reinstall. Place the legs in the down position. Use the handle to carry the grill.

Note: It is best to leave the grease tray in place attached to the bottom of the grill. Some grease may continue to drip from the drain hole during transport.

TROUBLESHOOTING

WARNING

Spiders and insects can nest inside the burners of the grill and disrupt gas flow. This very dangerous condition could cause a fire behind the valve panel, thereby damaging the grill and making it unsafe for operation. Inspect the grill at least twice a year.

When to Look for Spiders

You should inspect the burners at least twice a year or immediately after any of the following conditions occur:

- The smell of gas in conjunction with burner flames appearing yellow.
- The grill does not reach temperature.
- The grill heats unevenly.
- The burners make popping noises.

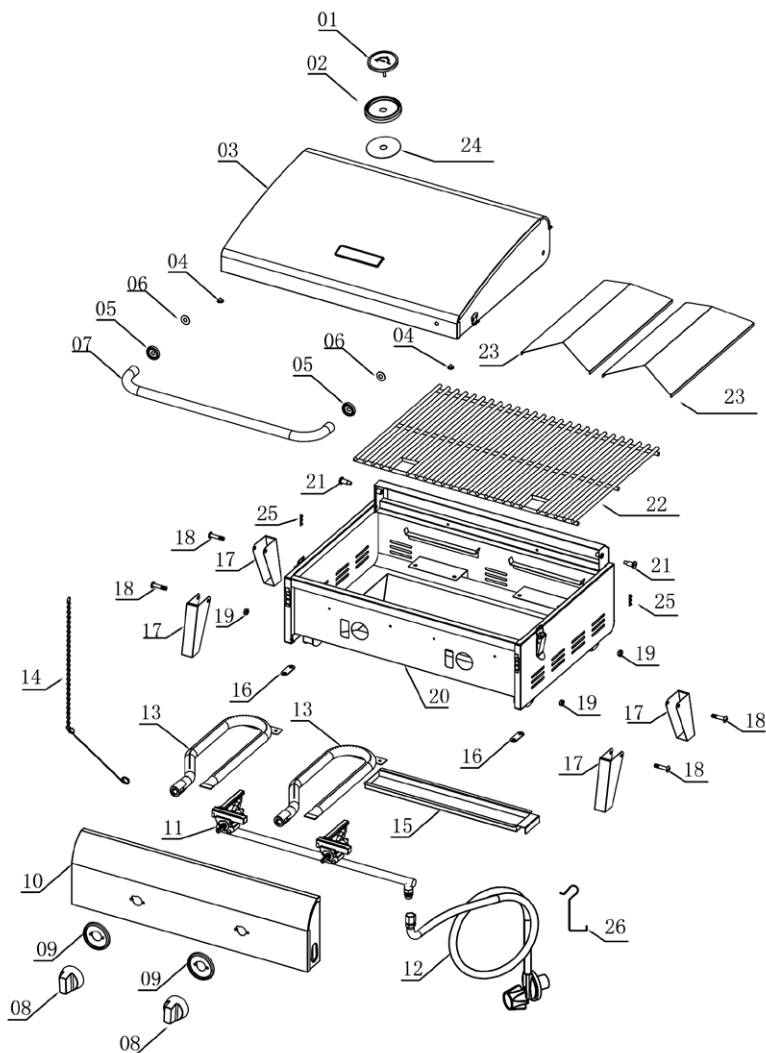
BEFORE CALLING FOR SERVICE

If the grill does not function properly, use the following checklist before contacting customer service.

Problems	What To Do
Grill will not light.	<ul style="list-style-type: none">• Check to see if the liquid propane cylinder is empty.• Check burner ports for any blockage. Use a soft wire brush to clear plugged ports.• Check the gas orifice on the burner for an obstruction. If orifice is blocked, clean with a needle or thin wire. NEVER USE A WOODEN TOOTHPICK.
Burner flame is yellow or orange in conjunction with gas odor.	<ul style="list-style-type: none">• Check for spiders and insects.• Call customer service at 888-804-7455
Low heat with the control knob on the "HI" setting.	<ul style="list-style-type: none">• Make sure the grill area is clear of dust.• Make sure the burner and orifice are clean.• Check for spiders and insects.• Is there adequate gas supply available?• Is the grill being preheated for 15 minutes?

REPLACEMENT PARTS

For replacement parts, call our customer service department at **1-877-303-3134**, Monday to Friday, 8 a.m. - 5 p.m., MST. NOTE: Not all parts are replaceable.



WARNING: When the grill is not in use, the regulator must hang on the side of the firebox.

REPLACEMENT PARTS

Part	Qty	Description
1	1	Thermometer
2	1	Thermometer Bezel
3	1	Grill Lid
4	2	Lid Bumper
5	2	Lid Handle Bezel
6	2	Lid Handle Insulating Spacer
7	1	Lid Handle
8	2	Knob
9	2	Bezel
10	1	Control Panel
11	1	Valve and Manifold Assembly
12	1	Regulator
13	2	Main Burner
14	1	Match Light Tool
15	1	Grease Tray
16	2	Control Panel Bracket
17	4	Foldable Leg
18	4	Leg Hinge Screw
19	4	Hex Screw
20	1	Fire Box
21	2	Lid Hinge Screw
22	1	Cooking Grate
23	2	Flame Tamer
24	1	Thermometer Heat Insulating Spacer
25	2	R-Pin
26	1	Hose and Regulator Hook

WARRANTY

Proof of purchase is required to access this warranty program, which is in effect from the date of purchase. Customers will be subject to parts, shipping, and handling fees if unable to provide proof of the purchase or after the warranty has expired.

If you have any questions or problems, you can call our customer service department at **1-877-303-3134**, Monday - Friday, 8 a.m. - 5 p.m., MST.

Limited Warranty

5-Year Warranty on the stainless steel burners.

1- Year Warranty on all other parts.

Warranty Provisions:

This warranty is non-transferable and does not cover failures due to misuse or improper installation or maintenance.

This warranty is for replacement of defective parts only. We are not responsible for incidental or consequential damages or labor costs.

This warranty does not cover corrosion or discoloration after the grill is used, or lack of maintenance, hostile environment, accidents, alterations, abuse or neglect.

This warranty does not cover damage caused by heat, abrasive and chemical cleaners, or any damage to other components used in the installation or operation of the gas grill.

Some states do not allow the limitation or exclusion of incidental or consequential damages, so the above limitations or exclusions may not apply to you. This warranty gives your specific legal rights, and you may also have other rights that vary from state to state.

TABLE DES MATIÈRES

GUIDE COMPLET DE CUISSON AVEC VOTRE GRILL À GAZ PORTATIF

Informations de sécurité	26
Informations de sécurité de base.....	26
Le système de carburant	28
Contenu de l'emballage	30
Préparation	31
Instructions d'assemblage	31
Instructions d'installation	33
Raccordement au gaz	33
Exigences relatives aux bouteilles de propane liquide	33
Brancher la bouteille de propane liquide	34
Débrancher la bouteille de propane liquide	35
Essai d'étanchéité	35
Dernière vérification d'installation	37
Instructions d'utilisation	38
Allumer le grill	38
Éteindre le grill	39
Caractéristiques de la flamme	39
Utiliser le grill	39
Conservation et entretien	40
Dépannage	43
Avant d'appeler le service à la clientèle	44
Pièces de rechange	45
Garantie.....	47

INFORMATIONS DE SÉCURITÉ

Veuillez lire soigneusement les instructions suivantes avant d'essayer d'assembler ou d'utiliser le produit. Ne pas suivre ces instructions peut entraîner des dégâts matériels ou des blessures corporelles graves.

La bouteille d'alimentation de PL (propane liquide) à utiliser doit être construite et marquée conformément aux spécifications concernant les bouteilles de PL du département des Transports des É.-U. (DOT) ou de la Norme nationale du Canada CAN-B339 relative aux cylindres, sphères et tubes pour le transport des matières dangereuses.

1. L'installation doit être conforme aux codes locaux ou, à défaut, aux National Fuel Gas Codes, au National Fuel Gas Code ANSI Z223. 1/NFPA 54, sur l'Entreposage et la manipulation des gaz de pétrole liquéfiés, ANSI/NFPA 58.
2. Le grill portatif est destiné à **L'USAGE EXTÉRIEUR EXCLUSIVEMENT**. Le grill doit être utilisé dans un espace bien ventilé. Ne jamais l'utiliser dans un espace clos, garage ou bâtiment. Votre grill n'est pas fait pour être installé dans ou sur un véhicule récréatif ou un bateau.
3. Les liquides chauffés restent à température extrêmement élevée longtemps après le processus de cuisson. Ne pas toucher l'appareil de cuisson tant que les liquides ne sont pas descendus à 45 °C (115 °F) ou en-dessous.
4. Ne pas installer ni utiliser le grill à moins de 1 m (36 po) de matières combustibles à l'arrière et sur les côtés du grill. Le grill ne doit pas se trouver sous une surface couvrante (abri d'auto fermé, garage, porche, atrium) pouvant prendre feu.
5. Ne jamais tenter de raccorder ce grill au système intégré de gaz PL d'une roulotte ou d'une autocaravane.
6. Il relève de la responsabilité de l'assembleur ou du propriétaire d'assembler, d'installer et d'entretenir votre grill à gaz. Ne pas laisser d'enfants ni d'animaux utiliser ou jouer à proximité de votre grill portatif. Ne pas suivre ces instructions peut entraîner des blessures corporelles graves ou des dégâts matériels.

INFORMATIONS DE SÉCURITÉ

7. Ouvrir le couvercle avant d'allumer le grill. Lorsque le grill n'est pas utilisé, fermer la mollette de contrôle de la bouteille de gaz PL.

8. Soigneusement suivre les instructions de ce manuel pour correctement assembler et procéder à l'essai d'étanchéité de votre grill. Ne pas utiliser le grill tant que l'absence de fuite n'a pas été vérifiée. En cas de détection d'une fuite, à quelque moment que ce soit, immédiatement arrêter d'utiliser le grill et remédier à la fuite.

9. Le secteur de l'appareil doit être libre de toute matière combustible, essence, bouteille de gaz de quelque type que ce soit et d'autres vapeurs et liquides inflammables. Ne pas obstruer le flux de la combustion ni de la ventilation.

10. Ne jamais tenter d'allumer le grill avec le couvercle fermé! L'accumulation de gaz est très dangereuse et peut provoquer une explosion.

11. Maintenir tout cordon électrique et tuyau d'alimentation de carburant à distance de toute surface chaude.

12. Le propane est un gaz inflammable, toute manipulation incorrecte peut provoquer une explosion ou un incendie et un accident ou des blessures graves.

13. Cet appareil sera chaud pendant l'utilisation et après. Utiliser des gants isolants de cuisine pour vous protéger des surfaces chaudes ou des éclaboussures de liquides de cuisson.

14. Ne pas laisser votre grill sans surveillance pendant l'utilisation.

15. Ne pas l'utiliser sous l'influence de drogues ou d'alcool.

16. Ne pas entreposer de bouteille de rechange de PL (propane), pleine ou vide, sous votre grill ou à proximité.

17. L'appareil n'est pas conçu pour un usage commercial ni pour la location.

INFORMATIONS DE SÉCURITÉ

18. La bouteille doit être débranchée lorsque l'appareil n'est pas utilisé.

Danger naturel - Araignées

FAIT : Il arrive parfois qu'une araignée ou un insecte grimpe dans le tube du brûleur. Les araignées tissent des toiles, construisent des nids et déposent des œufs. Même s'ils sont très petits, les toiles ou les nids sont très résistants et peuvent bloquer le flux de gaz. Nettoyer le brûleur avant usage à la suite d'un entreposage, au début de la saison des grillades ou après un mois sans utilisation.

Le système de carburant

Des millions de personnes utilisent un grill à gaz en toute sécurité en respectant de simples mesures de précaution.

Les éléments du système de carburant sont conçus pour fonctionner avec ce grill. Ils ne doivent être remplacés par aucune autre marque. (Voir la liste des pièces détachées pour les éléments de rechange.)

Brûleur à gaz: Le brûleur à gaz est constitué d'acier inoxydable et ne devrait pas réclamer d'autre entretien que l'inspection en quête d'insectes ou de nids dans les fentes d'admission d'air.

Flexible d'alimentation en carburant: Le flexible du régulateur fourni avec cet appareil est long de 1 m (38 po). Maintenir le flexible de carburant à distance de toute surface chauffée.

Propane: Avertissement – le propane est un gaz inflammable. Toute manipulation incorrecte peut provoquer une explosion ou un incendie et un accident ou des blessures graves. Votre grill est conçu pour ne fonctionner qu'avec du gaz propane (PL), il est équipé de l'orifice correspondant au gaz propane.

ATTENTION : Ne pas raccorder ce grill à une alimentation d'un autre gaz que le propane. Plus lourd que l'air, le propane s'accumule dans les zones basses. S'assurer que la ventilation est adéquate quand vous utilisez votre grill. La bouteille de gaz pourra être entreposée à l'extérieur, dans un secteur bien ventilé hors de portée des

INFORMATIONS DE SÉCURITÉ

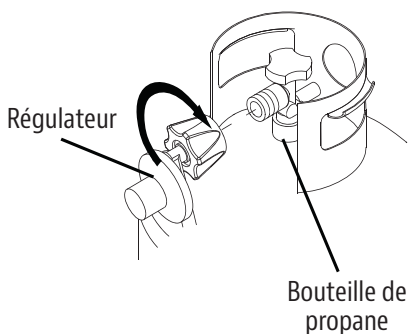
enfants lorsque le grill n'est pas utilisé. Si l'appareil n'est pas utilisé, le gaz doit être coupé à la bouteille d'alimentation.

La bouteille de gaz PL ne doit être utilisée qu'en extérieur dans un espace bien ventilé, pas dans un bâtiment, un garage ou quelque zone close que ce soit. Le Grill à gaz portable peut être entreposé à l'intérieur si la bouteille de gaz PL est débranchée et rangée dehors. La bouteille de gaz PL (non incluse) est filetée pour un raccordement direct avec le régulateur de gaz fourni avec cet appareil. Veiller lors du raccordement de la bouteille au régulateur à correctement engager les filetages pour un raccordement correct. Lors du raccordement ou de la déconnexion de la bouteille de gaz, bien veiller à ce que le régulateur ne heurte pas le grill, le sol ni aucune surface. Replacer le capuchon protecteur sur le raccord fileté de la bouteille lorsque vous le débranchez du grill. En cas de difficulté lors du raccordement ou de la déconnexion de la bouteille à l'ensemble du régulateur, sollicitez l'aide de votre fournisseur local de gaz.

En reconnectant la bouteille de gaz PL au régulateur, assurez-vous de serrer à la main jusqu'à l'ajustement complet. Il faut vérifier l'absence de dommage et de fuites de ce raccordement après chaque nouvelle connexion.

Pour l'essai d'étanchéité, préparer une solution savonneuse de détergent liquide et d'eau à part égale. Il vous faudra un pulvérisateur, une brosse ou un chiffon pour appliquer la solution au raccord. La présence de bulles indique une fuite.

Vérifier l'absence de fuite sur tous les raccords de gaz avant chaque utilisation. Ne pas utiliser le grill tant que tous les raccords n'ont pas été vérifiés et l'absence de fuite confirmée.



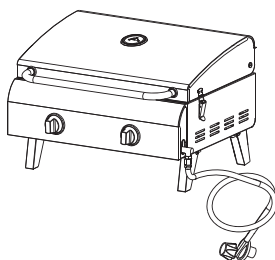
INFORMATIONS DE SÉCURITÉ

AVERTISSEMENT

- Toujours utiliser le grill sur une table, pas plus haute que 81 cm (32 po).
- Placer la bouteille de propane sur le sol juste à côté de la table, à au moins 61 cm (24 po) du grill.
- Tout manquement à suivre ces instructions risque de provoquer la surchauffe de la bouteille de propane et la dispersion de propane susceptible de s'enflammer et de provoquer des blessures personnelles graves ou des dégâts matériels ainsi que le risque de trébucher sur le flexible de gaz ou la bouteille de propane, faisant tomber le grill de la table et provoquant des blessures personnelles graves ou des dégâts matériels.

CONTENU DE L'EMBALLAGE

Pièce	Qté	Description
1	1	Grill
2	4	Pieds pliables
3	2	Mollette
4	1	Grille de cuisson
5	2	Diffuseur de flamme
6	1	Plateau à graisse
7	1	Thermostat
8	1	Flexible



PRÉPARATION

Avant de commencer l'assemblage, l'installation ou l'utilisation du produit, assurez-vous que toutes les pièces sont présentes. Comparez les pièces avec la liste du contenu de l'emballage et le diagramme ci-dessus. En cas de pièce manquante ou endommagée, ne tentez pas d'assembler, d'installer ou d'utiliser le produit. Contactez le service à la clientèle pour des pièces de rechange.

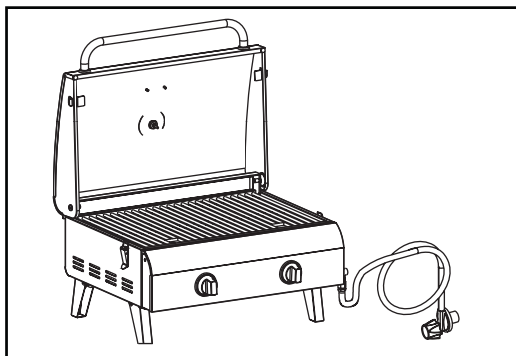
- Votre grill à gaz portatif est déjà assemblé. Le seul assemblage nécessaire est le placement des diffuseurs de flamme, de la grille de cuisson et des mollettes de contrôle sur le grill.
- Temps d'assemblage estimé : 5 minutes.

Avertissement : cet appareil n'est pas conçu comme un appareil de chauffage, il ne doit en aucun cas servir comme tel.

INSTRUCTIONS D'ASSEMBLAGE

1. Retirez toutes les matières d'emballage et transportez le grill à proximité de son emplacement souhaité.
2. Installez les mollettes de contrôle comme illustré à la Fig. 1. Poussez la mollette et tournez-la pour vérifier les étincelles.

Figure 1

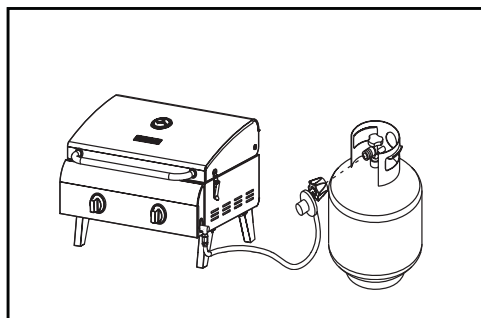


INSTRUCTIONS D'ASSEMBLAGE

3. Raccordez le régulateur à la bouteille de propane avec le flexible de 1 m (38 po) en tournant la poignée du régulateur dans le sens horaire comme illustré à la Fig. 2. Si l'appareil de cuisson en extérieur n'est pas utilisé, le gaz doit être coupé à la bouteille d'alimentation (« OFF »).

Vérifier l'absence de fuite sur tous les raccords de gaz avant chaque utilisation. Ne pas utiliser le grill tant que tous les raccords n'ont pas été vérifiés ni l'absence de fuite confirmée (voir les instructions « Essai d'étanchéité » à la page 6).

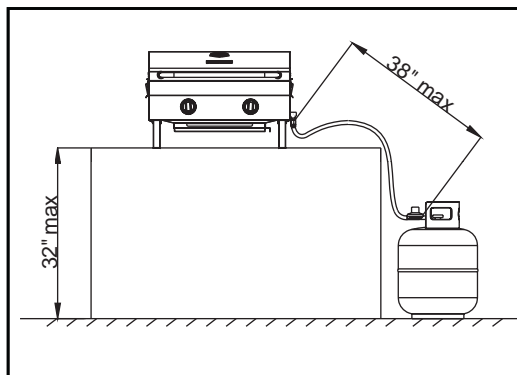
Figure 2



4. Placer le grill portable sur la table comme montré dans

Remarque: Ce grill portable fonctionnant avec un flexible de 1 m (38 po), nous suggérons qu'il soit installé sur une table de 91 cm (3 pi).

Figure 3



INSTRUCTIONS D'INSTALLATION

RACCORDEMENT AU GAZ

N'utilisez que l'ensemble du régulateur et du flexible fourni avec le grill. Tout ensemble de rechange du régulateur et du flexible doit être spécifié par le fabricant du grill. Ce grill est configuré pour le propane liquide. N'utilisez pas une alimentation au gaz naturel.

Consommation totale de gaz (par heure) avec tous les brûleurs sur « HI » (fort) :

Brûleurs principaux	20 000 BTU/h.
Total	20 000 BTU/h.

L'installation de cet appareil doit être conforme aux codes locaux ou, à défaut, soit au National Fuel Gas Code ANSI Z223. 1/NFPA 54, au Code national CAN/CSA B149.1 d'installation du gaz naturel et du propane, ou au Code sur l'emmagasinement et la manipulation du propane B149.2

EXIGENCES RELATIVES À LA BOUTEILLE DE PROPANE LIQUIDE (bouteille de 9 kg – 20 lb)

Toute bouteille de propane liquide bosselée ou rouillée peut être dangereuse et doit être vérifiée par votre fournisseur. Ne jamais utiliser une bouteille dont le robinet est endommagé. La bouteille de propane liquide doit être construite et marquée conformément aux spécifications concernant les bouteilles de PL du département des Transports des États-Unis (DOT) ou de la Norme nationale du Canada CAN/CSA-b339 relative aux cylindres, sphères et tubes pour la Commission du transport des matières dangereuses.

La bouteille de 9 kg (20 lb) doit être pourvue d'un robinet d'arrêt s'achevant en orifice d'évacuation spécifié, s'il y a lieu, pour le raccordement de type QCC1 aux normes ANSI/CGA-V-1 pour le robinet d'évacuation et le raccordement d'admission des bouteilles de gaz comprimé.

L'entreposage d'un appareil à gaz de cuisson en extérieur n'est permis en intérieur que si la bouteille en est débranchée et séparée. Le système de la bouteille doit être positionné de façon à permettre le soutirage de la vapeur. La bouteille doit comporter une bague pour protéger son robinet.

INSTRUCTIONS D'INSTALLATION

Pression d'admission : (en fonctionnement) 11 pouces de colonne d'eau (W.C.), (pas en fonctionnement) 11,2 pouces de colonne d'eau (W.C.).

La bouteille de propane liquide doit être équipée d'un dispositif de protection contre le trop-plein.

Retirez le couvercle en plastique du robinet de la bouteille de propane liquide. Assurez-vous que les flexibles de gaz du grill ne sont pas en contact avec le plateau à graisse ou le foyer du grill quand la bouteille de propane liquide est placée dans le chariot.

BRANCHER LA BOUTEILLE DE PROPANE LIQUIDE

Pour brancher la bouteille d'alimentation de propane liquide :

- Le robinet de la bouteille doit être fermé (« OFF ») Sinon, tournez le robinet dans le sens horaire jusqu'à l'arrêt.
- Assurez-vous que la bouteille de gaz est dotée du bon raccord fileté extérieur mâle de type-1 en vertu de l'ANSI z21.81.
- Assurez-vous que les robinets du brûleur sont fermés (« OFF »).
- Inspectez les raccords des robinets, l'orifice et l'ensemble du régulateur. Retirez les débris et vérifiez l'absence de dommages sur le flexible.
- Lors du raccordement au robinet de l'ensemble du régulateur, serrez l'écrou à la main dans le sens horaire jusqu'à l'arrêt. L'utilisation d'une clé risquerait d'abîmer l'écrou de raccordement rapide, créant une situation dangereuse.
- Avant d'allumer le grill, vérifiez l'absence de fuite sur tous les raccords à l'aide d'une solution savonneuse.
- En cas de détection de fuite, fermez le robinet de la bouteille et n'utilisez pas le grill tant qu'un fournisseur local de propane liquide n'a pas effectué les réparations nécessaires.

INSTRUCTIONS D'INSTALLATION

DÉBRANCHER LA BOUTEILLE DE PROPANE LIQUIDE

- Fermez les robinets des brûleurs du grill (« OFF ») et assurez-vous que le grill soit froid.
- Fermez le robinet de la bouteille de propane liquide (« OFF ») en le tournant dans le sens horaire jusqu'à l'arrêt.
- Déconnectez l'ensemble du régulateur du robinet de la bouteille en tournant l'écrou de raccordement rapide dans le sens antihoraire.
- Remettez le capuchon anti-poussière sur l'orifice de sortie du robinet de la bouteille quand celle-ci n'est pas utilisée. N'installez sur l'orifice de sortie du robinet de la bouteille que le type de capuchon anti-poussière fourni avec le robinet. D'autres capuchons ou bouchons pourraient provoquer des fuites de propane.

ESSAI D'ÉTANCHÉITÉ – GÉNÉRALITÉS

Bien que les raccords de gaz soient vérifiés avant l'expédition, un essai complet d'étanchéité doit être réalisé sur le lieu de l'installation. Avant chaque utilisation, vérifiez l'absence de fuite de tous les raccords de gaz à l'aide des procédures énoncées ci-dessous.

Si vous sentez à quelque moment que ce soit l'odeur du gaz, vérifiez immédiatement l'absence de fuite sur l'ensemble du système.

AVANT L'ESSAI

Assurez-vous que toutes les matières d'emballage ont été retirées du grill, notamment les courroies d'arrimage des brûleurs.

AVERTISSEMENT

Vérifier l'absence de fuite sur tous les raccords de gaz avant chaque utilisation. N'utilisez pas le grill tant que tous les raccords n'ont pas été vérifiés ni l'absence de fuite confirmée. Ne fumez pas pendant l'essai d'étanchéité. N'effectuez jamais l'essai d'étanchéité avec une flamme nue.

INSTRUCTIONS D'INSTALLATION

Préparez une solution savonneuse de détergent liquide et d'eau à part égale. Il vous faudra un pulvérisateur, une brosse ou un chiffon pour appliquer la solution aux raccords. Pour l'essai d'étanchéité initial, assurez-vous que la bouteille de propane liquide soit pleine.

POUR L'ESSAI

1. Fermer les robinets des brûleurs.
2. Tournez le robinet de la bouteille de propane liquide dans le sens antihoraire pour l'ouvrir.
3. Appliquez une solution savonneuse sur tous les raccords de gaz. Des bulles de savon apparaîtront à l'endroit des fuites s'il y en a.
4. En cas de fuite, fermez immédiatement l'alimentation de gaz (« OFF ») et serrez les raccords qui fuient.
5. Rouvrez l'alimentation de gaz (« ON ») et vérifiez à nouveau.
6. Si le gaz continue à fuir de l'un des raccords, fermez à nouveau l'alimentation de gaz (« OFF ») et contactez le service à la clientèle.
7. En présence de signes d'abrasion ou d'usure excessive, ou de coupure du flexible, procédez au remplacement avant de faire fonctionner l'appareil à gaz de cuisson en extérieur.

Seules les pièces recommandées par le fabricant ne doivent être utilisées sur le grill. Toute substitution annulera la garantie.

AVERTISSEMENT

N'entreposez pas le grill à l'intérieur à moins que la bouteille soit déconnectée. N'entreposez pas la bouteille dans un bâtiment, un garage ou quelque zone close que ce soit, et maintenez-la à tout moment hors de portée des enfants.

INSTRUCTIONS D'INSTALLATION

DERNIÈRE VÉRIFICATION D'INSTALLATION

- Respectez le dégagement spécifié de 1 m (36 po) des matières combustibles et des constructions.
- Toutes les matières d'emballage ont été retirées.
- Le flexible et le régulateur sont correctement raccordés à
- La bouteille de propane liquide
- Le dispositif a été vérifié, il ne comporte aucune fuite.
- Le robinet d'arrêt de l'alimentation en gaz a été repéré.
- Tous les brûleurs sont installés.
- Conservez le manuel d'instructions pour consultation future.

AVERTISSEMENT

1. Le grill et son robinet d'arrêt individuel doivent être déconnectés du système de tuyauterie d'alimentation en gaz lors de tout essai de pression de ce système à une pression d'essai excédant 1/2-po. PSI (3,5kpa).
2. L'appareil à gaz de cuisson en extérieur doit être isolé du système de tuyauterie d'alimentation en gaz en fermant son robinet d'arrêt individuel lors de tout essai de pression du système de tuyauterie d'alimentation en gaz à une pression d'essai inférieure ou égale à 1/2 po. PSI (3,5kpa).

AVERTISSEMENT

1. N'entreposez pas les bouteilles de recharge de propane liquide sous cet appareil ou à proximité.
2. Ne remplissez jamais la bouteille au-delà de 80 % de sa capacité.
3. Le non-respect scrupuleux des points 1 et 2 peut entraîner une incendie et de graves blessures ou la mort.

INSTRUCTIONS D'UTILISATION

ALLUMER LE GRILL

1. Mettez les pieds en position haute.
2. Assurez-vous que la bouteille de propane soit fermement vissée au filetage du régulateur (serrage à la main seulement).
3. Ouvrez le couvercle. Ouvrez toujours le couvercle pour l'allumage.
4. Poussez puis tournez lentement la mollette du brûleur principal jusqu'à « IGNITE/HI » (allumer/fort) comme illustré à la Figure 4, le brûleur devrait aussitôt s'allumer.
5. Si l'allumage ne se fait pas après 3 à 5 secondes, tournez la mollette pour la fermer (« OFF »). Attendez 5 minutes avant d'essayer de rallumer le grill. Si le grill ne s'allume toujours pas à la deuxième tentative, appelez le service à la clientèle. Une fois le brûleur allumé, fermez doucement le couvercle et laissez chauffer 5 minutes le grill avant de l'utiliser.

Remarque: Si la mollette ne déclenche pas d'étincelle, insérez l'allumette dans la tige d'allumage comme illustré à la Figure 5. Allumez l'allumette et insérez-la à travers la grille de cuisson jusqu'au brûleur.

Figure 4

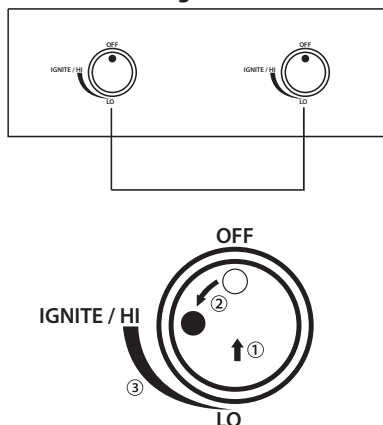
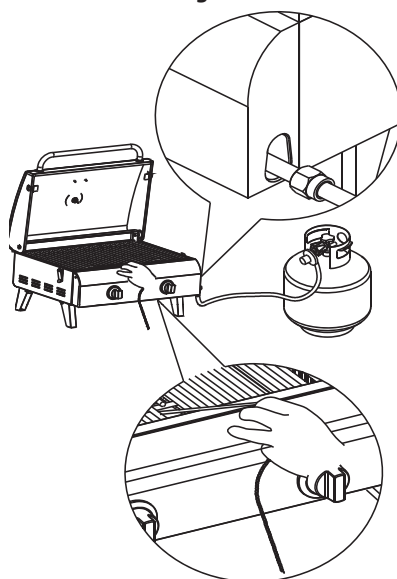


Figure 5



1. Poussez
2. Tournez la mollette sur Ignite/HI
3. Réglez la flamme

INSTRUCTIONS D'UTILISATION

ÉTEINDRE LE GRILL

1. Tournez la molette pour la fermer (« OFF »).
2. Tournez la molette de contrôle de la bouteille de propane pour la fermer (« OFF »). **Attention:** N'essayez pas de rallumer le grill sans suivre toutes les instructions d'allumage.
3. Laissez refroidir le corps du grill pendant au moins 30 minutes avant de tenter de le déplacer ou de le transporter.
4. Retirez et nettoyez le plateau à graisse avant le transport, remettez-le après.

CARACTÉRISTIQUES DE LA FLAMME

- Vérifiez que la flamme possède les caractéristiques correctes. Les flammes du brûleur doivent être bleues et stables, sans extrémités jaunes, bruit ni hauteur excessifs, comme illustré à la Figure 6.
- Tournez les mollettes de contrôle et les robinets de la bouteille de propane pour les fermer (« OFF »).
- Laissez refroidir le grill et les brûleurs.



Figure 6



Vérifiez visuellement les flammes du brûleur avant chaque utilisation, elles doivent ressembler à celles de cette image, sinon, reportez-vous à la section de ce manuel consacrée aux brûleurs.

UTILISATION DU GRILL

1. Trouvez une surface plane sur laquelle employer le grill.
2. Laissez chauffer le grill avec le couvercle fermé pendant 5 minutes avant de cuire.
3. Vous pouvez cuire sur le grill par tout temps. Selon que la température soit extrêmement froide ou chaude, les temps de cuisson seront légèrement plus longs ou plus courts. Mettre le grill à l'abri du vent excessif pendant l'utilisation.

CONSERVATION ET ENTRETIEN

Les tâches de conservation et d'entretien nécessaires sont minimales. Le grill à gaz portatif est conçu et fait de matériaux qui dureront de nombreuses années d'utilisation normale. Respecter ces instructions augmentera la longévité de l'appareil et la qualité de la cuisson. Pour une utilisation sûre de votre grill, la zone de cuisson doit toujours rester libre de tout type de matières combustibles, comme l'essence ou d'autres vapeurs et liquides inflammables.

Pièces extérieures du grill – Elles sont en acier inoxydable. Elles se nettoient facilement avec de l'eau savonneuse chaude ou n'importe quel nettoyeur d'acier inoxydable.

Grille de cuisson et plateau à graisse – La grille de cuisson est en acier inoxydable. Le grill de cuisson doit être brossé à la brosse en acier immédiatement après la cuisson, quand elle est encore chaude. Le plateau à graisse est aussi en acier et peut se nettoyer avec un racloir plat, comme un couteau à mastic.

Attention: Le plateau à graisse doit être maintenu propre et sans accumulation importante pour bien fonctionner et éliminer les flambées.

Brûleurs principaux du grill – Retirer un brûleur demande un soin extrême. Il faut correctement le centrer sur l'orifice avant de tenter de rallumer le grill. La fréquence du nettoyage dépendra de celle de l'utilisation du grill.

Le mauvais placement du brûleur sur l'orifice pourrait provoquer un incendie derrière le panneau de robinets et en-dessous, ce qui endommagerait le grill et rendrait son utilisation dangereuse. Avant de nettoyer, assurez-vous que les mollettes d'arrivée de gaz et de contrôle sont fermées (« OFF ») et que les brûleurs sont froids.

Pour retirer les brûleurs principaux et les nettoyer:

1. Repérez la vis du brûleur derrière le foyer.
2. Retirez la vis et extrayez le brûleur du foyer en le soulevant.

CONSERVATION ET ENTRETIEN

Pour nettoyer les brûleurs du grill:

1. Nettoyez l'extérieur du brûleur à la brosse métallique. Utilisez un racleur en métal pour les taches et les résidus récalcitrants.
2. Nettoyez les orifices obstrués avec un trombone redressé. N'utilisez jamais un cure-dents en bois qui risquerait de se casser et d'obstruer l'orifice.
3. Vérifiez l'absence d'insectes et de nids d'insectes dans les brûleurs et les tubes de Venturi, nettoyez-les si nécessaire. Un tube obstrué peut provoquer un incendie derrière le panneau de commandes principal et au-dessous.

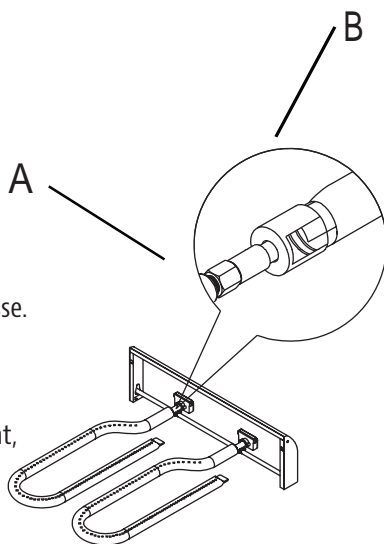
Pour réinstaller les brûleurs principaux:

1. Insérez le brûleur par dessus le robinet de gaz du brûleur principal (pièce no. 11 page 19)
2. Assurez-vous que l'embase de l'orifice (A) se trouve dans le tube de Venturi du brûleur (B) comme illustré à la Figure 7.
3. Alignez le trou de la vis du brûleur avec celui du foyer, insérez la vis et serrez-la.

Foyer – Utilisez de l'eau chaude savonneuse pour nettoyer cette zone. Ne laissez pas s'accumuler la graisse.

Orifice d'évacuation – L'orifice d'évacuation doit rester libre de graisses et de particules pour que les égouttements puissent correctement s'écouler dans le plateau à graisse. Cela doit être effectué pour maintenir le bon fonctionnement de votre grill.

Généralité – Ce grill, comme tout équipement, aura un meilleur aspect et durera plus longtemps si vous le laissez à l'abri des intempéries quand il ne sert pas



CONSERVATION ET ENTRETIEN

Attention: N'entreposez pas les bouteilles de propane dans des endroits clos. Si vous utilisez une bâche ou vous déplacez le grill, attendez toujours qu'il ait refroidi pendant au moins 30 minutes.

- N'obstruez pas le flux de l'air de combustion et de ventilation.
- Un tube obstrué peut provoquer un incendie sous l'appareil.

Cet appareil **doit** être rangé dans une zone sans matières combustibles, essence ni vapeurs ou liquides inflammables.

Assurez-vous que toutes les ouvertures du corps du grill sont dégagées et sans débris et qu'aucun objet ni aucune matière n'empêche le flux de combustion ou de ventilation. Assurez-vous que les pieds soient en position relevée pour utiliser le grill.

Vérifiez l'absence de nids d'insectes ou d'obstruction dans les orifices d'admission d'air du brûleur(derrière le garde de l'admission à l'extrémité droite du corps du grill). Assurez-vous que les événements du tube du brûleur sont dégagés.

Lorsque le grill n'est pas utilisé, fermez la mollette de contrôle (position « OFF ») et retirez la bouteille de propane du régulateur. Retirez le régulateur du brûleur.

Pour utilisation en extérieur uniquement, si vous l'entreposez à l'intérieur, débranchez la bouteille de propane et entreposez-la en extérieur. Les bouteilles de propane doivent être entreposées hors de portée des enfants.

IMPORTANT

Première utilisation : Il est important d'allumer et de laisser chauffer le grill pendant au moins 30 minutes avant de déposer des aliments sur la grille de cuisson. Il est normal qu'apparaisse de la fumée lors de la première utilisation du grill. Après le chauffage initial, le grill est prêt à l'usage. Vous pouvez utiliser un pulvérisateur de cuisson sur les grilles de cuisson pour faciliter le nettoyage.

CET APPAREIL DE CUISSON EST RÉSERVÉ À UNE UTILISATION EN INTÉRIEUR, IL NE DOIT PAS SERVIR DANS UN BÂTIMENT, D'UN GARAGE OU DE QUELQUE LIEU CLOS QUE CE SOIT.

CONSERVATION ET ENTRETIEN

INSTRUCTIONS POUR LE DÉPLACEMENT

Attention: Ne jamais déplacer le grill alors que le brûleur est allumé.

- Assurez-vous que la mollette de contrôle soit en position « OFF » (fermé). Déconnectez la bouteille de propane du régulateur.
- Assurez-vous que le grill se soit complètement refroidi pendant au moins 30 minutes.
- Fermez le couvercle et fermez le loquet. Retirez et nettoyez le plateau à graisse, puis réinstallez-le. Mettez les pieds en position abaissée. Utilisez la poignée pour transporter le grill.

Remarque: Il vaut mieux laisser le plateau de graisse en place, fixé au fond du grill. Il se peut qu'un peu de graisse continue de s'égoutter de l'orifice d'évacuation pendant le transport.

DÉPANNAGE

AVERTISSEMENT

Des araignées ou des insectes peuvent faire leur nid dans les brûleurs du grill et perturber le flux du gaz. Cette situation extrêmement dangereuse peut provoquer un incendie derrière le panneau de robinets, endommageant le grill et rendant son utilisation dangereuse. Procédez à l'inspection du grill au moins deux fois par an.

Quand vérifier l'absence d'araignées

Il faut inspecter les brûleurs au moins deux fois par an ou immédiatement après l'une des situations suivantes :

- Une odeur de gaz se fait sentir et les flammes du brûleur sont jaunes.
- Le grill n'atteint pas la température souhaitée.
- Le grill ne chauffe pas uniformément.
- Les brûleurs font des bruits d'éclatement.

DÉPANNAGE

AVANT D'APPELER LE SERVICE APRÈS-VENTE

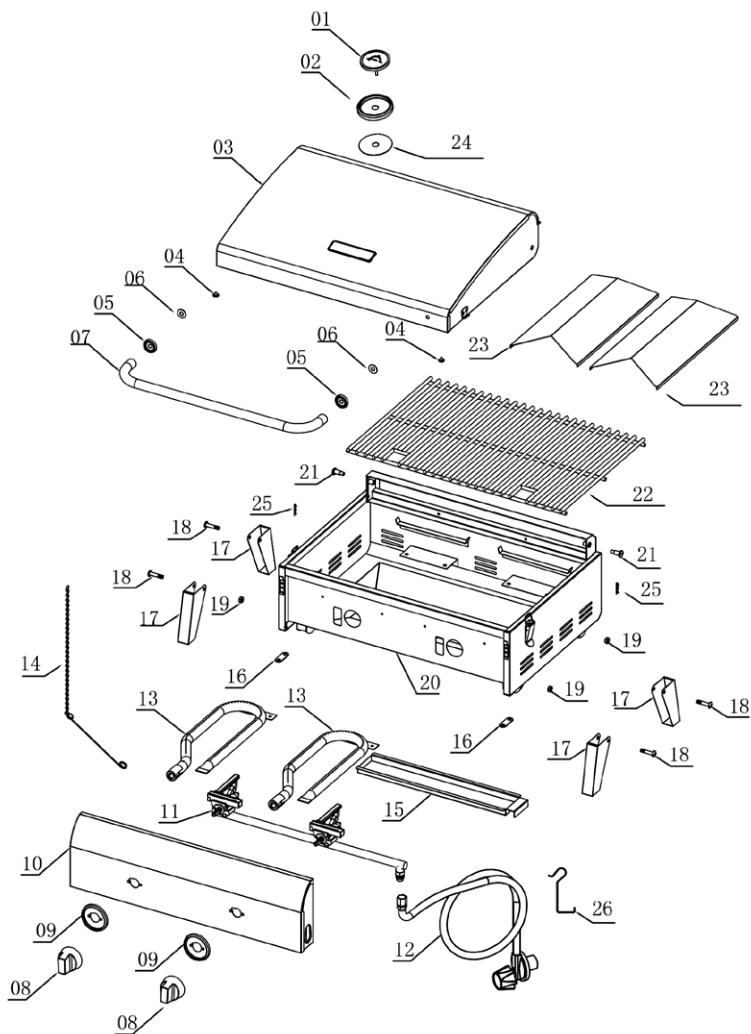
Si le grill ne fonctionne pas correctement, utilisez la liste de contrôle suivante avant de contacter le service à la clientèle.

Problèmes	Que faire
Le grill ne s'allume pas.	<ul style="list-style-type: none">• Vérifiez que la bouteille de propane liquide n'est pas vide.• Vérifiez que les orifices des brûleurs ne sont pas obstrués. Utilisez une brosse souple pour• dégager les orifices obstrués.• Vérifiez que l'orifice du gaz du brûleur n'est pas obstrué. Si l'orifice est obstrué, nettoyez-le à l'aide d'une épingle ou du fil de fer fin. N'UTILISEZ JAMAIS UN CURE-DENTS
La flamme du brûleur est jaune ou orange et une odeur de gaz se fait sentir.	<ul style="list-style-type: none">• Vérifiez l'absence d'araignées et d'insectes.• Appelez le service à la clientèle au 888 804 7455
La chaleur est faible alors que la mollette de commande est en position « HI » (fort).	<ul style="list-style-type: none">• Assurez-vous que la zone du grill ne soit pas poussiéreuse.• Assurez-vous que le brûleur et l'orifice soient propres.• Vérifiez l'absence d'araignées et d'insectes.• La réserve de gaz disponible est-elle suffisante?• Le grill est-il préchauffé pendant 15 minutes?

PIÈCES DE RECHANGE

Pour les pièces de rechange, appelez notre service à la clientèle au 1-877-303-3134 du lundi au vendredi et de 08 h 00 à 17 h 00 HNR.

REMARQUE : Toutes les pièces ne sont pas changeables.



AVERTISSEMENT: Lorsque le grill n'est pas utilisé, le régulateur doit pendre sur le côté du foyer.

PIÈCES DE RECHANGE

Pièce	Qté	Description
1	1	Thermomètre
2	1	Cadran du thermomètre
3	1	Couvercle du grill
4	2	Butoir du couvercle
5	2	Cadran de la poignée du couvercle
6	2	Espaceur isolant de la poignée du couvercle
7	1	Poignée du couvercle
8	2	Mollette
9	2	Cadran
10	1	Panneau de commande
11	1	Ensemble robinet et admission
12	1	Régulateur
13	2	Brûleur principal
14	1	Outil d'allumage à l'allumette
15	1	Plateau à graisse
16	2	Support du panneau de commande
17	4	Pied pliable
18	4	Vis de la charnière du pied
19	4	Vis hexagonale
20	1	Foyer
21	2	Vis de la charnière du couvercle
22	1	Grille de cuisson
23	2	Diffuseur de flamme
24	1	Espaceur isolant thermique pour thermomètre
25	2	Épingle-R
26	1	Crochet pour tuyau et régulateur

GARANTIE

Une preuve d'achat est requise pour bénéficier de ce programme de garantie, qui prend effet à la date d'achat. Si le client n'est pas en mesure de produire une preuve de l'achat ou si la date de couverture de la garantie est dépassée, il sera tenu de payer les pièces, l'expédition et la main-d'œuvre.

Pour toute question ou en cas de problème, appelez notre service à la clientèle au **1-877-303-3134** du lundi au vendredi et de 08 h 00 à 17 h 00 HNR.

Garantie limitée

Garantie 5 ans sur les brûleurs en acier inoxydable.

Garantie 1 an sur toutes les autres pièces.

Dispositions de la garantie:

Cette garantie n'est pas cessible et ne couvre pas les défaillances dues au mésusage, à la mauvaise installation ou au mauvais entretien.

Cette garantie ne concerne que le remplacement de pièces défectueuses. Nous déclinons toute responsabilité relative aux dommages directs ou indirects ou aux coûts de la main-d'œuvre.

Cette garantie ne couvre pas la corrosion ni la décoloration une fois le grill utilisé, ou à cause d'un manque d'entretien, d'un environnement hostile, d'accidents, d'altérations, d'abus ou de négligence.

Cette garantie ne couvre pas les dommages occasionnés par la chaleur, les nettoyants abrasifs et chimiques ou tout dommage à d'autres composants utilisés pour l'installation ou l'utilisation du grill à gaz.

Certains états n'autorisant pas la limitation ou l'exclusion des dommages directs ou indirects, les limitations et exclusions qui précèdent ne s'appliquent peut-être pas à vous. Cette garantie vous confère des droits juridiques précis, et vous en avez peut-être d'autres qui varient d'un État à l'autre.

IMPORTANT

DO NOT RETURN PRODUCT TO STORE

For all questions, comments, or inquiries, please contact Dansons Inc. directly. Our Pit Boss Grills Customer Service department is available Monday to Friday 8 am – 5pm MST.

**Contact Pit Boss Customer Service
(English/French)**

service@pitboss-grills.com

TOLL FREE: 1-877-303-3134

TOLL FREE FAX: 1-877-303-3135

IMPORTANT

NE RETOURNEZ PAS LE PRODUIT AU MAGASIN

Pour toute questions, commentaires ou demandes de renseignements, veuillez communiquer avec Dansons Inc. directement. Le service à la clientèle Pit Boss est ouvert du lundi au vendredi, de 8 h à 17 h (heure des Rocheuses).

**Communiquez avec service à la clientèle Pit Boss.
(Anglais/français)**

service@pitboss-grills.com

NUMÉRO SANS FRAIS : 1-877-303-3134

TÉLÉCOPIEUR SANS FRAIS : 1-877-303-3135

⚠ Proposition 65 Warning: Combustion bi-products produced when using this product contain chemicals known to the State of California to cause cancer, birth defects, and other reproductive harm. This product contains chemicals known to the State of California to cause cancer, birth defects or other reproductive harm. Wash hands after handling this product.