



Mon - Thurs 7:30am - 5:00pm | Friday 7:30am - 4:00pm CST

1-800-779-2102

WWW.DEEZEE.COM

**PLEASE INSPECT YOUR PRODUCT FOR DAMAGE
BEFORE PROCEEDING TO INSTALLATION.**

INSTRUCTIONS FOR RETURNS:

ALL PRODUCTS NEED RETURNED TO POINT OF PURCHASE
FOR WARRANTY DEFECTS, DAMAGES, OR RETURNS.

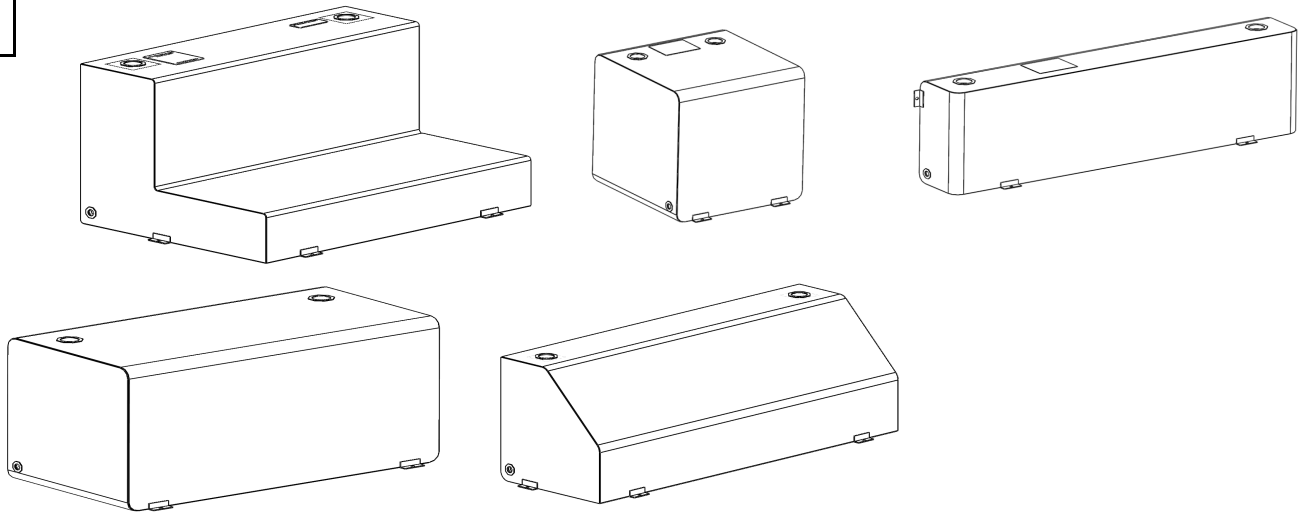
FOR MISSING PARTS PLEASE CONTACT DEE ZEE INC.

REGISTER YOUR PRODUCT ONLINE: www.deezee.com/registration

VIEW INSTRUCTIONS ONLINE: www.deezee.com/instructions

TRANSFER TANK INSTALLATION INSTRUCTION

A

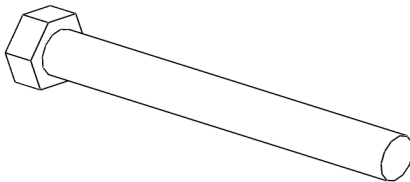


VARIES

X4

B

5/16" BOLT

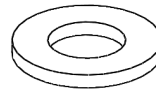


PN 1156

X4

C

5/16" WASHER

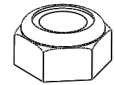


PN 339

X8

D

5/16" LOCK NUT

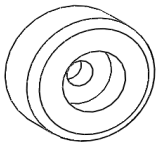


PN 240

X4

E

RUBBER
BUMPER



PN 1165

X4

WARNING:

This tank is not to be used to transport flammables such as gasoline.

This liquid transfer tank is designed and manufactured to be used as a transfer tank solely for private use and not for commercial applications or interstate commerce.

It is not designed for use as an auxiliary fuel tank connected to the vehicle's fuel supply system and its intended use design does not meet

Title 49 of the United States Federal Register governing transportation.

Before using the liquid transfer tank, visually inspect the entire tank for any damage to the tank. If damage has occurred, do not use the tank unless it is tested with a harmless fluid such as water.

TOOLS REQUIRED

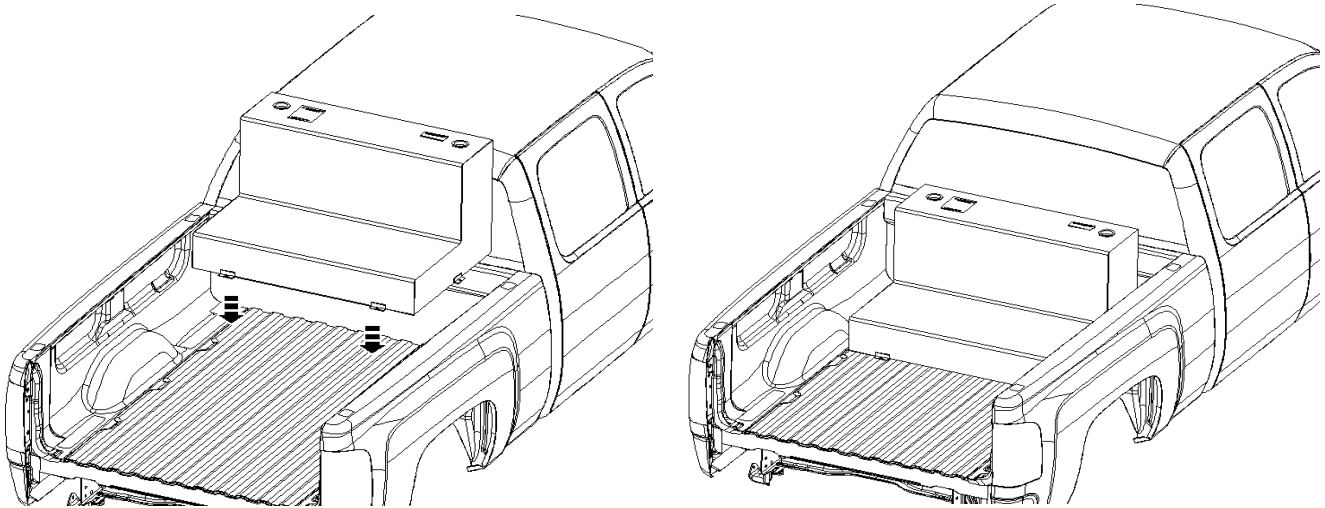
MARKER
WRENCH/RATCHET
3/8" DRILL BIT



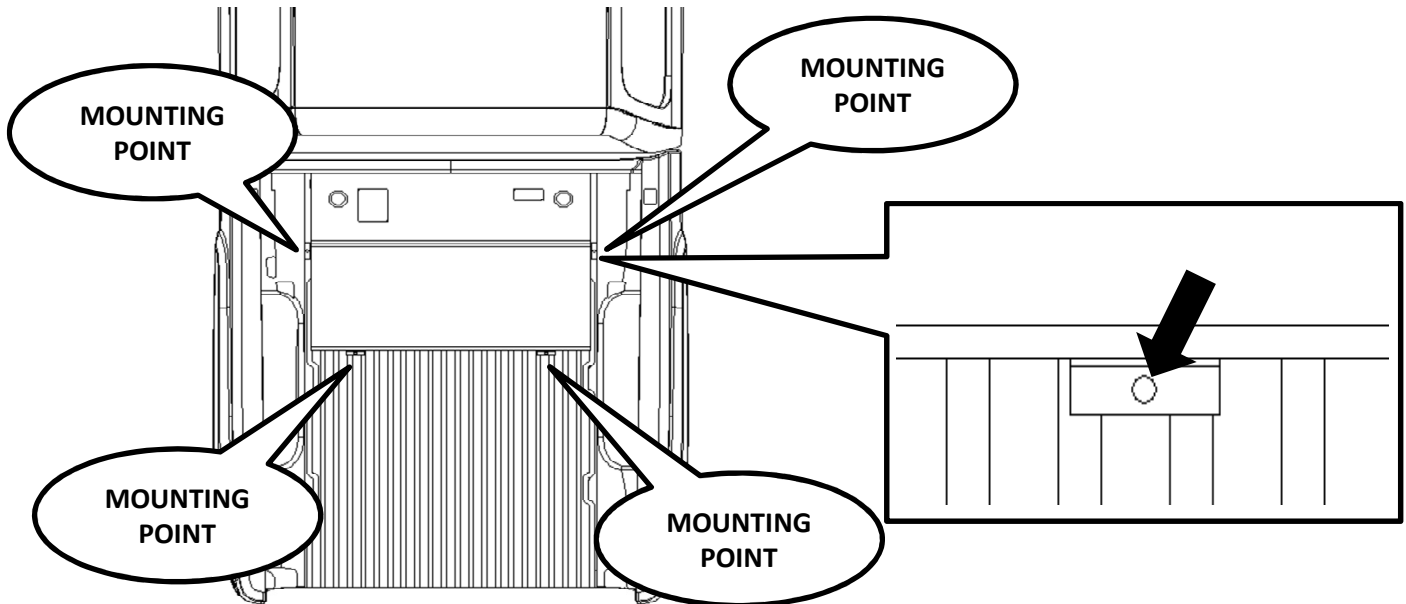
1

Place the transfer tank in the truck bed.

Your tank may vary from the one shown in the images. The attachment points are the same for all Dee Zee tanks and will mount the same way.



Using a marker, mark the hole location in the four tank attachment points.

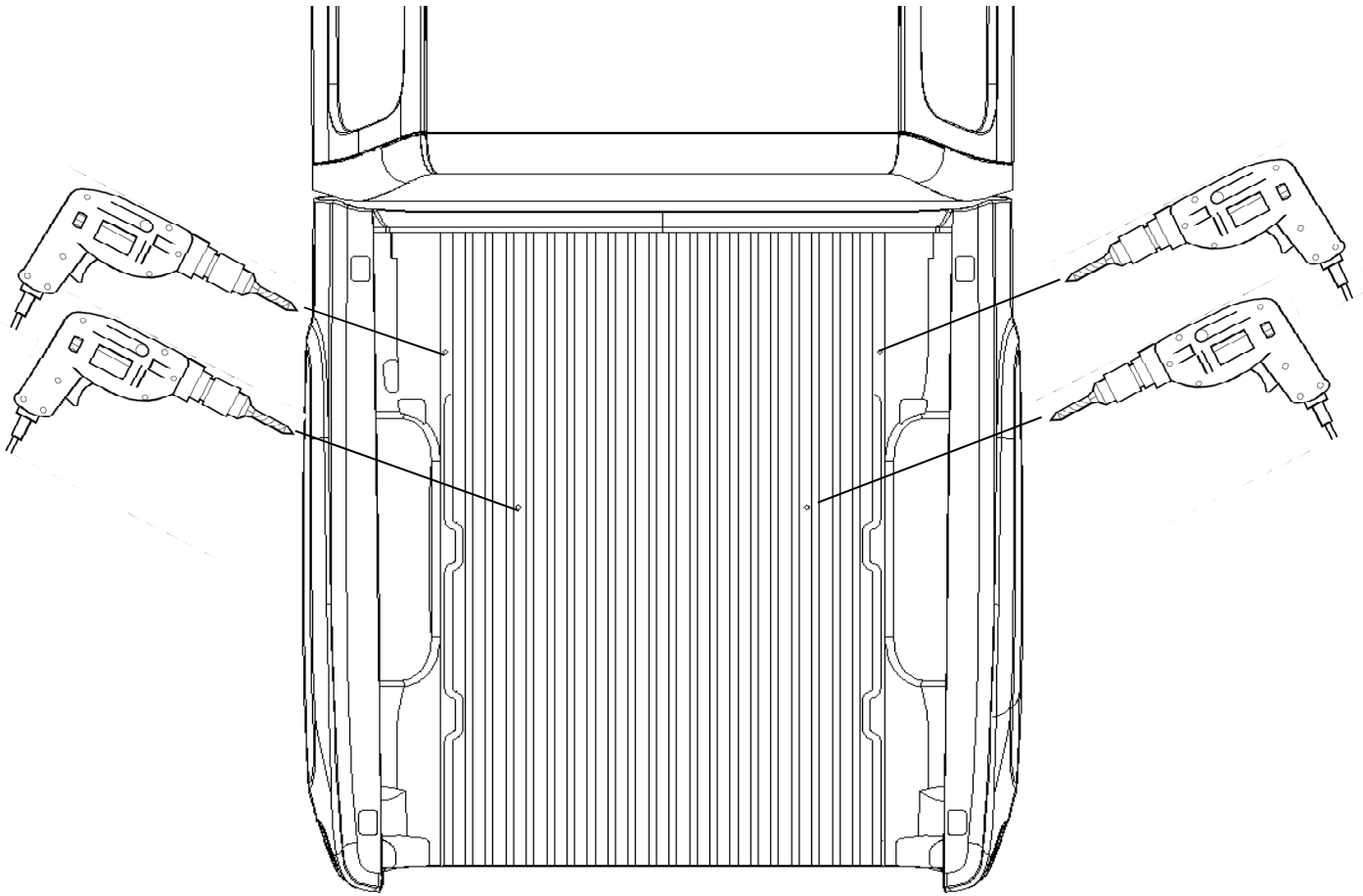


For rectangular shaped tanks there will be 2 mounting location on the front, and 2 on the back.

2

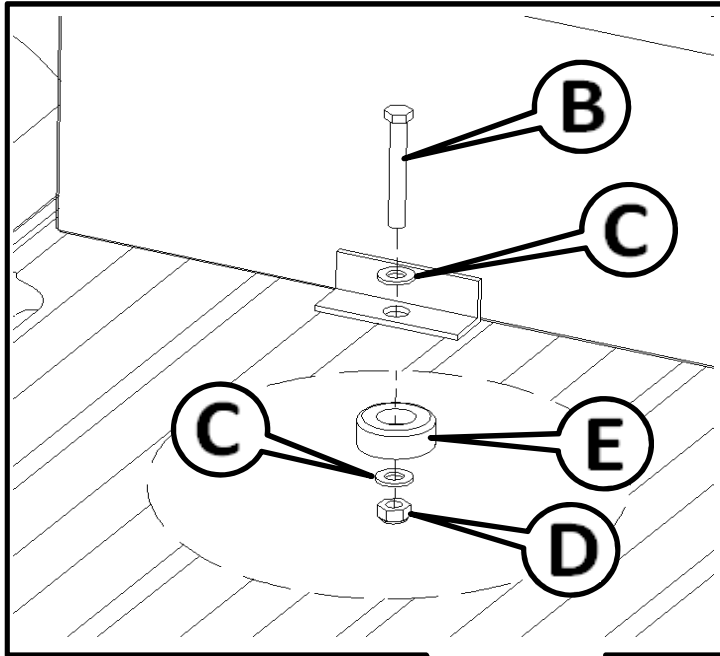
Check the underside of the truck bed below the marked locations for clearance.
If something is in the way of the marked location, shift the tank to avoid the obstruction.

Remove the tank from the truck bed, and drill a 3/8" hole at each of the marked locations.
Check with manufacturer/body shop for recommendations for sealing drilled holes.

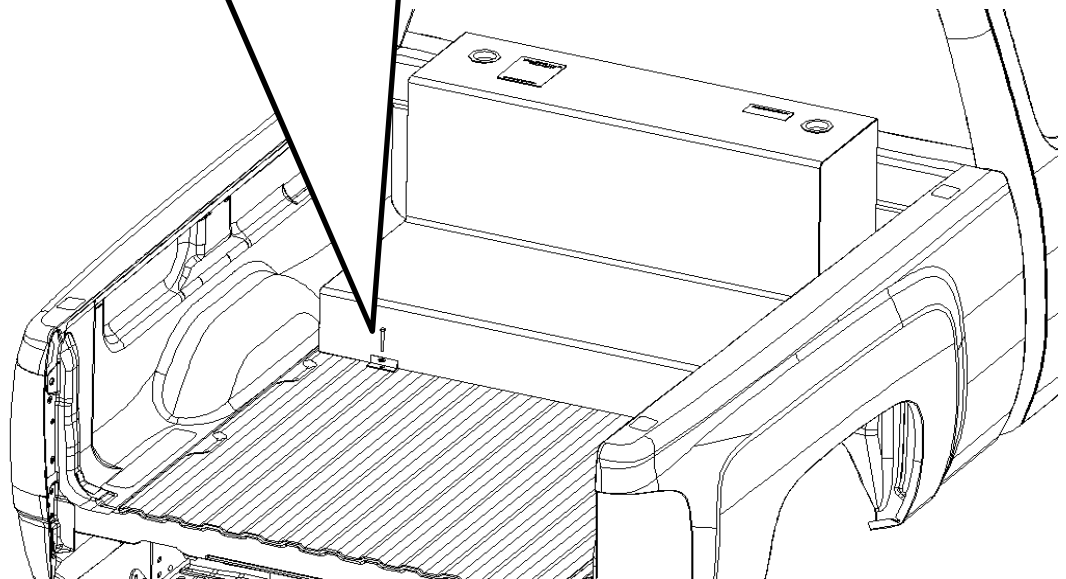
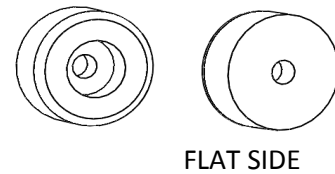


3 After drilling the holes, return the tank to the truck bed and align the tank mounting locations with the holes in the truck bed.

At each of the mounting locations, place a 5/16" bolt [B] and 5/16" washer [C] down through the mounting location hole. From the underside of the truck place a rubber bumper [E], 5/16" washer [C], and 5/16" lock nut [D] onto the bolt.



Note: The flat side of the rubber bumper will be towards the ground.



Tighten the nut and bolt using a 1/2" socket and wrench until the rubber bumper comes into contact with the underside of the truck bed. Grab the rubber bumper and try to rotate it around the bolt. If the rubber bumper can still rotate on the bolt, continue to tighten the nut until the rubber bumper can no longer be turned by hand. Once the rubber bumper can no longer be turned by hand, tighten the nut one additional 360 degree turn. Repeat this process for all four mounting locations.

NOTE:

For aluminum tanks:

Due to the fact aluminum is softer than steel, make sure the threads on the steel pump are clean and not damaged. The pump will strip the threads in the tank if not installing the pump carefully.

The liquid transfer tank must be vented at all times for expansion and to prevent vacuum formation during liquid removal.

Before installing prevent fill cap assembly, coat the threads with an acceptable thread sealing compound such as **LA-CO, Slic-tite Paste with "Teflon"**. Screw threaded portion of prevent fill cap assembly into desired flange. Install the prevent cap on threaded casting, press down and turn clockwise past the intermediate stop to the last stop. To remove the cap, turn it slowly counter-clockwise to the intermediate stop. After all pressure is relieved, push down and turn counter-clockwise and lift to remove.

If you should incur any problems with the installation of this product, please feel free to call us at 1-800-779-8222. So that we may better serve you when you call, please have the W/O# , SEQUENCE #, and the DATE from the labels on the outside of the box.