

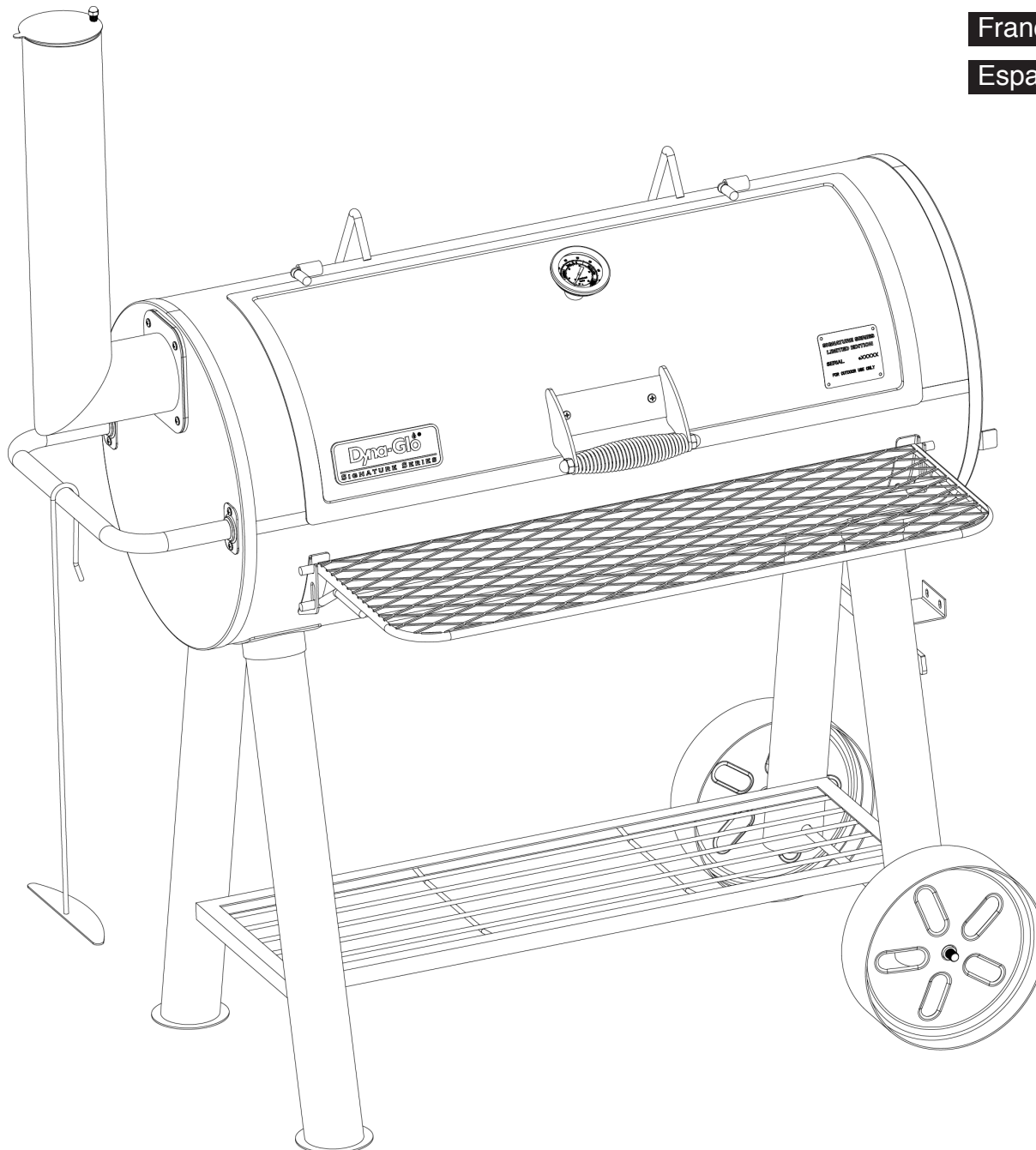


Heavy-Duty Barrel Charcoal Grill

MODEL #DGSS675CB-D / DGSS675CB

Français p. 19

Español p. 37



ATTACH YOUR RECEIPT HERE

Serial Number _____ Purchase Date _____




Questions, problems, missing parts? Before returning to your retailer, call our customer service department at 1-877-447-4768, 8:00 a.m. – 4:30 p.m. CST, Monday – Friday or email customerservice@ghpgroupinc.com.

TABLE OF CONTENTS

Safety Information	2
Package Contents	4
Hardware Contents	5
Preparation	5
Assembly Instructions	6
Operation Instructions	14
Care and Maintenance	15
Warranty	16
Replacement Parts List	17

SAFETY INFORMATION

Please read and understand this entire manual before attempting to assemble, operate, or install the product. If you have any questions regarding the product, call our customer service department at 1-877-447-4768, 8:00 a.m.- 4:30 p.m. CST, Monday - Friday or email customerservice@ghpgroupinc.com.

 Use caution when lifting and moving the unit to avoid back strain or back injury. Do not move the unit while it is in use.

- **DO NOT** operate the unit near or under flammable or combustible materials such as decks, porches or carports.
- A minimum clearance to combustible construction is 36 in. (91.4 cm) from sides and back.
- **DO NOT** operate the unit under overhead construction.
- **DO NOT** use this grill as a heater.
- Operate the unit on a stable, level, noncombustible surface such as asphalt, concrete, or solid ground.
- **DO NOT** operate the unit on flammable material such as carpet or wood deck.

SAFETY INFORMATION

- Use caution when assembling and operating this unit to avoid cuts and scrapes from edges.
- **DO NOT** use this product in a manner other than its intended purpose. It is NOT intended for commercial use. It is NOT intended to be installed or used in or on a recreational vehicle and/or boats.
- **DO NOT** store this unit near gasoline or other combustible liquids or where other combustible vapors may be present.
- **DO NOT** use, store or operate this unit in an area accessible to children or pets. Store this unit in a dry protected location.
- **DO NOT** leave the unit unattended while in use.
- **DO NOT** leave hot ashes unattended, until the unit cools completely.
- **DO NOT** move the unit while in use, or while ashes are still hot. Allow the unit to cool completely before moving or storing.
- **NEVER** use gasoline, kerosene, Zippo/Ronson lighter fluid, or other highly volatile fluids as a starter.
- Always cook your food on the grate after the flame is burned out.
- Dispose of cold ashes by wrapping them in heavy-duty aluminum foil and placing in a noncombustible container. Make sure that there are no other combustible materials in or near the container.
- If you must dispose of ashes in less time than it takes for the ashes to completely cool down, remove the ashes from the unit using heat-resistant gloves along with long metal tongs or fireplace shovel. Place the coals in aluminum foil and soak them completely with water before disposing of them in a noncombustible container.
- Allow the unit to cool completely before conducting any routine cleaning or maintenance.
- This product will be hot during and after use. Use insulated oven mitts, or gloves, for protection from hot surfaces or splatter from cooking liquids.
- Grease or other liquids inside the grease cup will be hot after using this appliance. Allow the grease cup to completely cool before removing or disposing. If the grease cup must be removed before it's allowed to completely cool, use heat resistant gloves or mitts for removal or disposal.
- Use caution when opening the lid of the unit while in operation. Keep hands, face and body safe from hot steam or flare-ups. **DO NOT** inhale smoke.
- **DO NOT** wear loose clothing while operating the unit. Tie back long hair while operating the unit.
- **ALWAYS** wear shoes that fully cover your feet while operating the unit.
- **NEVER** use glassware, plastic or ceramic cookware on or in the unit. Use metallic cookware only.
- Use of accessories not intended for this unit is not recommended and may lead to injury or property damage.

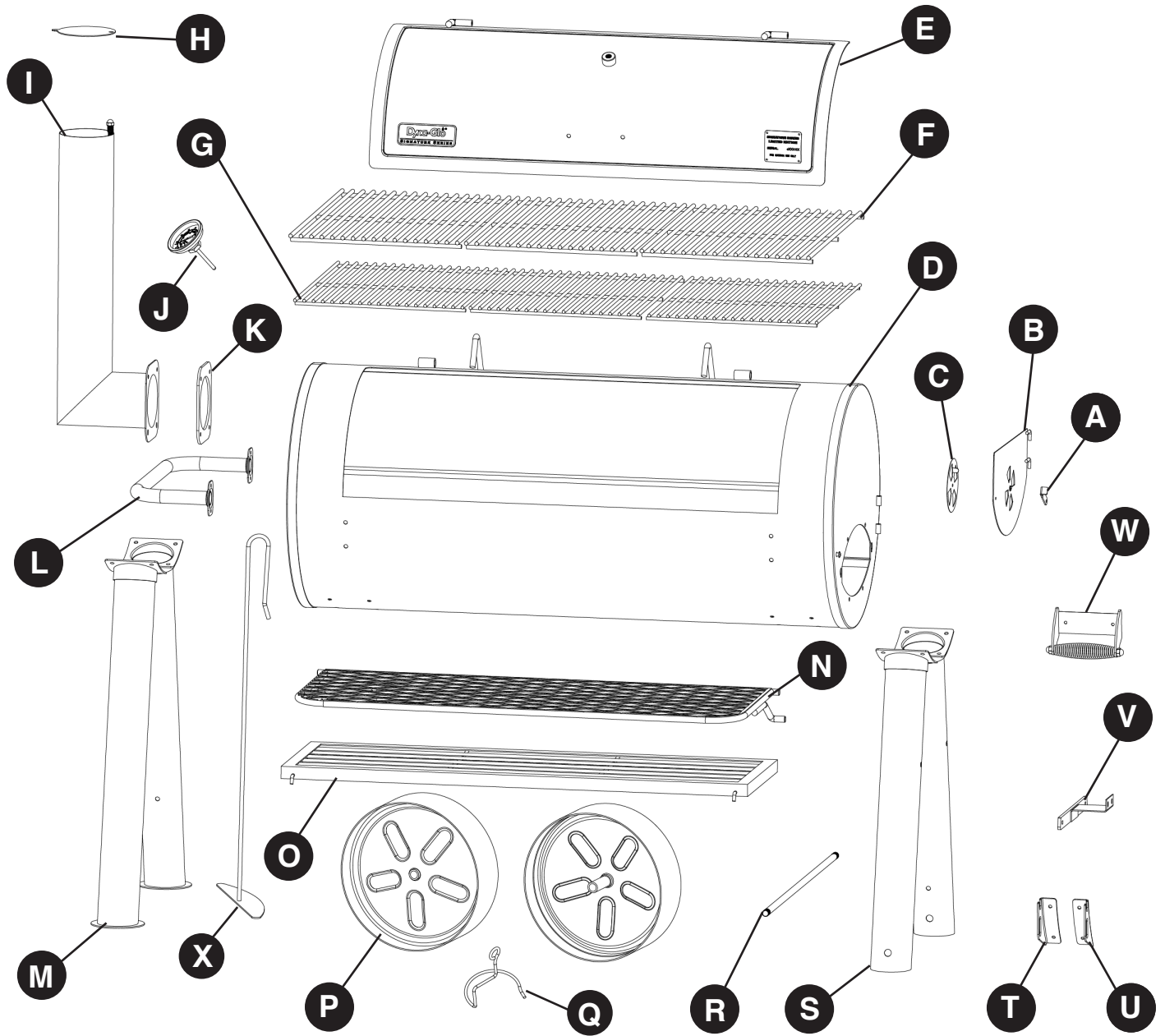
CALIFORNIA PROPOSITION 65

WARNING

This product and the fuels used to operate this product (charcoal or wood), and the products of combustion of such fuels, can expose you to chemicals including carbon black, which is known to the State of California to cause cancer, and carbon monoxide, which is known to the State of California to cause birth defects or other reproductive harm.

For more information go to www.p65Warnings.ca.gov









PACKAGE CONTENTS



PART	DESCRIPTION	QUANTITY
A	Access Door Latch	1
B	Side Access Door	1
C	Side Damper Plate	1
D	Chamber	1
E	Lid	1
F	Cooking Grills	3
G	Charcoal Grates	3
H	Smoke Stack Damper	1
I	Smoke Stack	1
J	Temperature Gauge	1
K	Smoke Stack Gasket	1
L	Side Handle - Grill Body	1

PART	DESCRIPTION	QUANTITY
M	Left Leg - Front / Rear	2
N	Front Shelf	1
O	Bottom Table	1
P	Wheels	2
Q	Grease Cup Holder	1
R	Wheel Axle	1
S	Wheel Legs	2
T	Shelf Bracket - Left	1
U	Shelf Bracket - Right	1
V	Offset Support Bracket	1
W	Lid Handle	1
X	Ash Removal Tool	1

HARDWARE CONTENTS

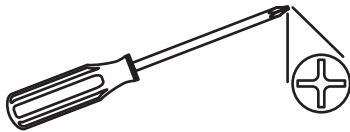
AA	BB	CC	DD	EE	FF	GG	HH
							
M6 x 12 Bolt	M6 Nut	M6 Flat Washer	M12 Nut	M6 Lock Nut	M6 x 14 Bolt	M5 x 13 Bolt	M5 Nut
Qty. 31	Qty. 28	Qty. 16	Qty. 2	Qty. 1	Qty. 1	Qty. 1	Qty. 1

PREPARATION

Before beginning assembly of product, make sure all parts are present. Compare parts with package contents list and hardware contents above. If any part is missing or damaged, do not attempt to assemble the product. Contact customer service for replacement parts.

Estimated Assembly Time: 30 minutes

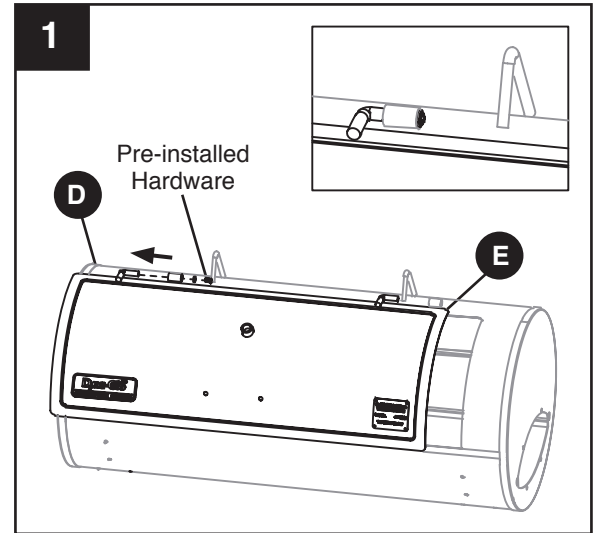
Tools Required for Assembly (not included): Phillips Screwdriver, Adjustable Wrench



ASSEMBLY INSTRUCTIONS




⚠ CAUTION: This unit is HEAVY! Do not attempt to handle this unit without assistance!

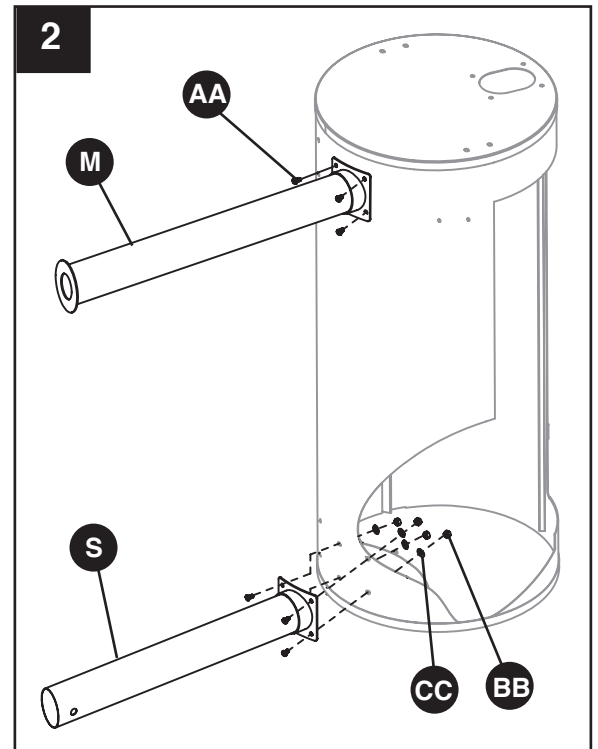
1. Remove the pre-installed bolt and washer from the left lid hinge on the grill body (D) and slide the lid (E) off the grill body hinges.



2. Attach the left front leg (M) and right front leg (S) using four M6 x 12 bolts (AA), four M6 nuts (BB) and four M6 flat washers (CC) per leg.

Hardware Used

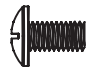


AA	M6 x 12mm Bolt		x 8
BB	M6 Nut		x 8
CC	M6 Flat Washer		x 8



ASSEMBLY INSTRUCTIONS

3. Before attaching the rear legs, insert the bottom shelf (O) posts into the holes located on all four legs. With the bottom shelf (O) securely in place, attach the left rear leg (M) and right rear leg (S) using four M6 x 12 bolts (AA), four M6 nuts (BB) and four M6 flat washers (CC), per leg.

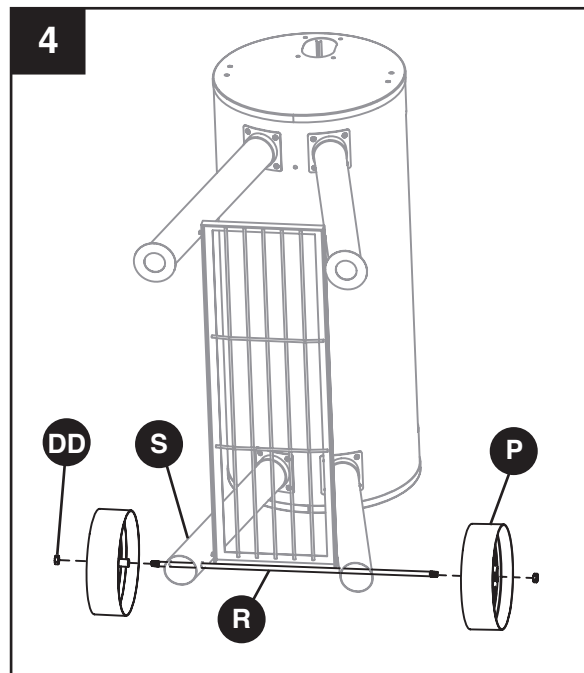
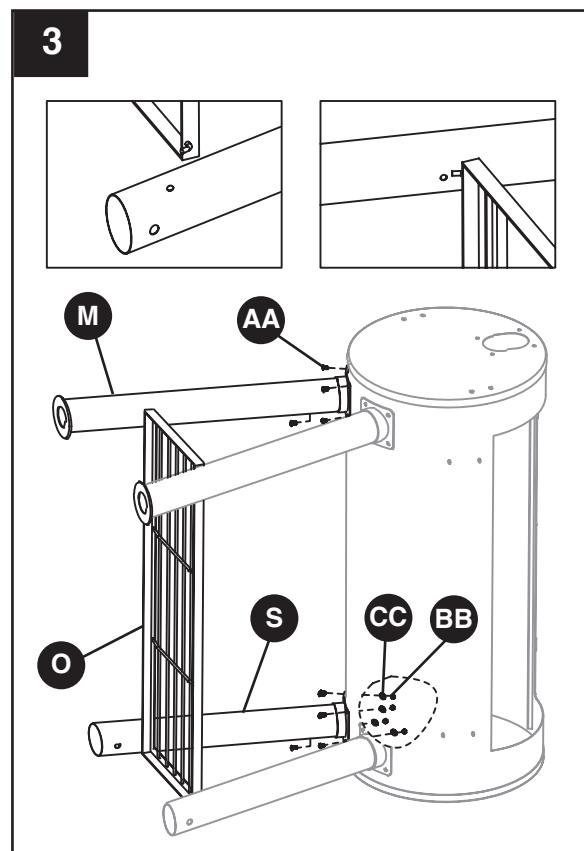
Hardware Used

AA	M6 x 12mm Bolt		x 8
BB	M6 Nut		x 8
CC	M6 Flat Washer		x 8

4. Insert the wheel axle (R) through the holes in the right front and right rear legs (S) and attach the left and right wheel (P) using one M12 nut (DD) per side.

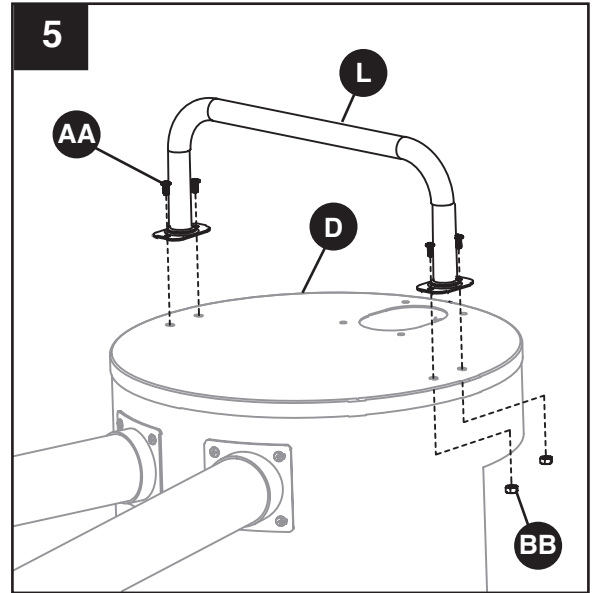
Hardware Used

DD	M12 Nut		x 2
-----------	---------	---	-----





ASSEMBLY INSTRUCTIONS

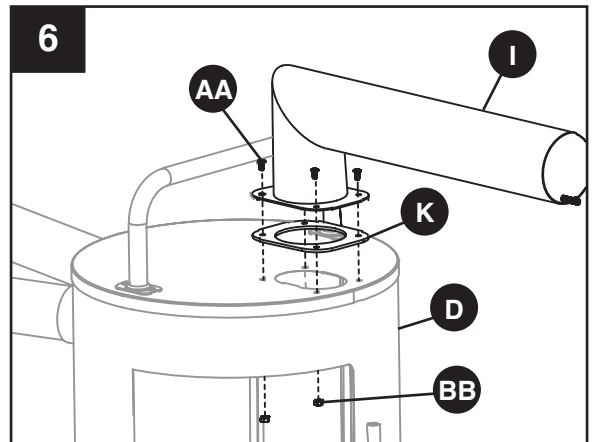
5. Attach side handle (L) to the left side of the grill body (D) using four M6 x 12 bolts (AA) and four M6 nuts (BB).





Hardware Used

AA	M6 x 12mm Bolt		x 4
BB	M6 Nut		x 4

6. Place the smoke stack gasket (K) between the grill body (D) and the smoke stack (I) and attach using four M6 x 12 bolts (AA) and four M6 nuts (BB).

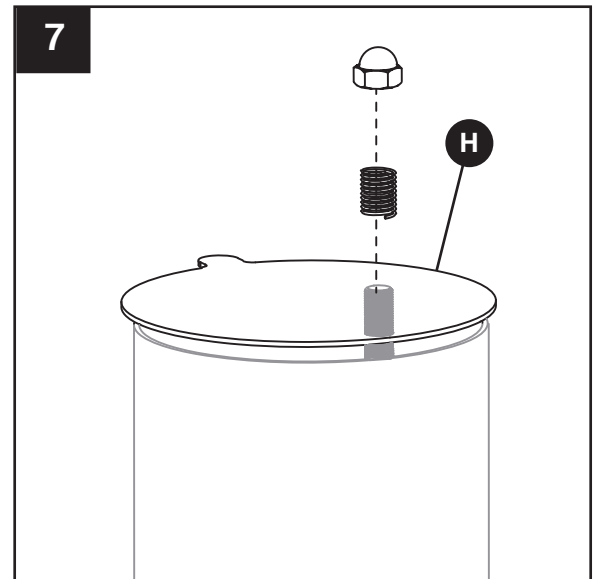


Hardware Used

AA	M6 x 12mm Bolt		x 4
BB	M6 Nut		x 4

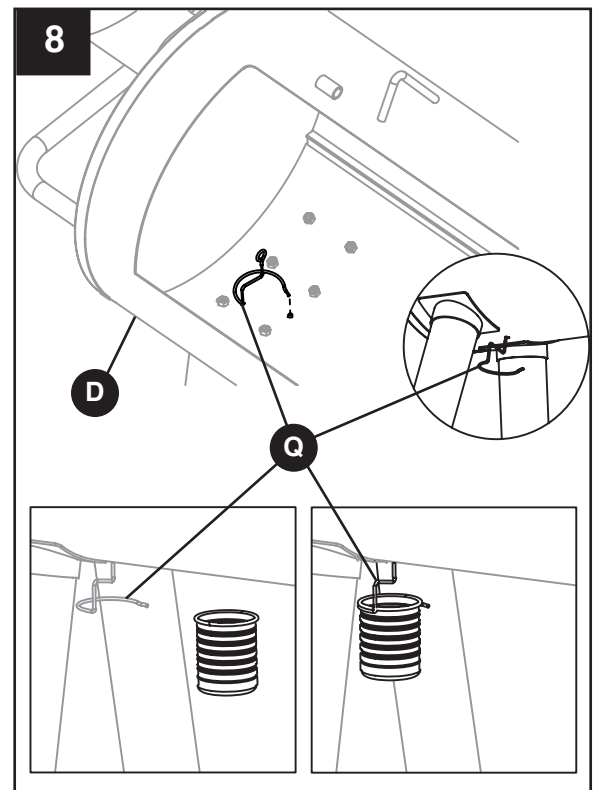
ASSEMBLY INSTRUCTIONS

7. Attach the smoke stack damper (H) using the pre-installed spring and nut.



8. Insert the end of the grease cup support (Q) into the hole located on the bottom of the smoker body (D). Thread the support through the hole until the support is hanging as shown.



Note: This grill does not include a container for catching grease or liquids from inside the smoker body. Use a discarded aluminum can with minimum diameter of 2 1/4" (58mm) and slide the top lip of the can onto the grease cup support (I) as shown. See Page 3 for disposing the can after use.

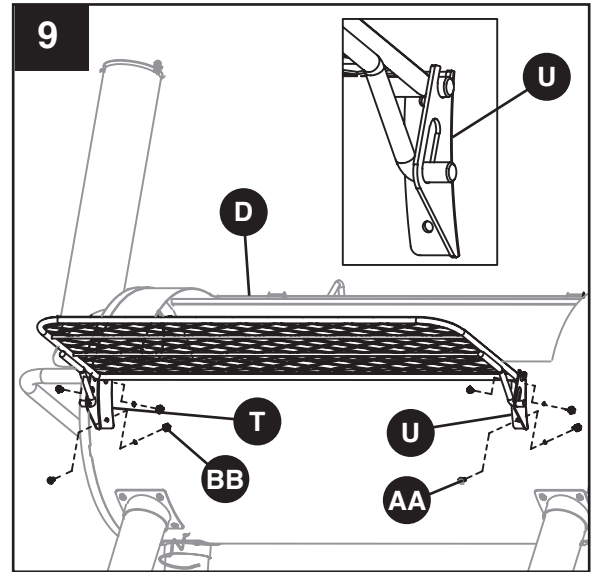


ASSEMBLY INSTRUCTIONS

9. Attach the right shelf bracket (U) to the grill body (D), using two M6 x 12 bolts (AA) and two M6 nuts (BB), and insert the shelf support wire into the bracket, as shown. Insert the shelf supports into the left shelf bracket (T), before securing the bracket with two M6 x 12 bolts (AA) and two M6 nuts (BB).

Hardware Used

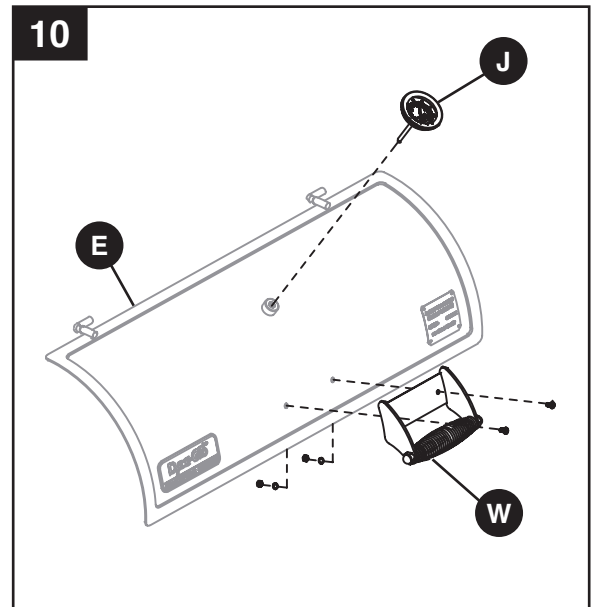
AA	M6 x 12mm Bolt		x 4
BB	M6 Nut		x 4



10. Attach the temperature gauge (J) by inserting the probe through the threaded opening on the lid (E) and turning clockwise. Do not remove the pre-installed nut prior to attaching the gauge.

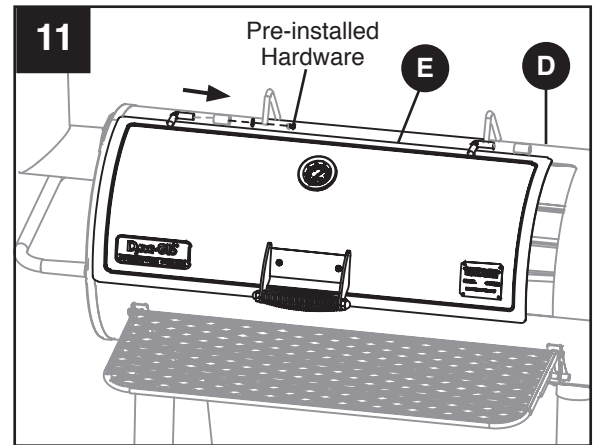
NOTE: The alignment of the temperature gauge can be adjusted by turning the pre-installed nut clockwise (or counter-clockwise) prior to installing.

Attach the lid handle (W) to the lid (E) using the pre-installed bolts & nuts and flat washers



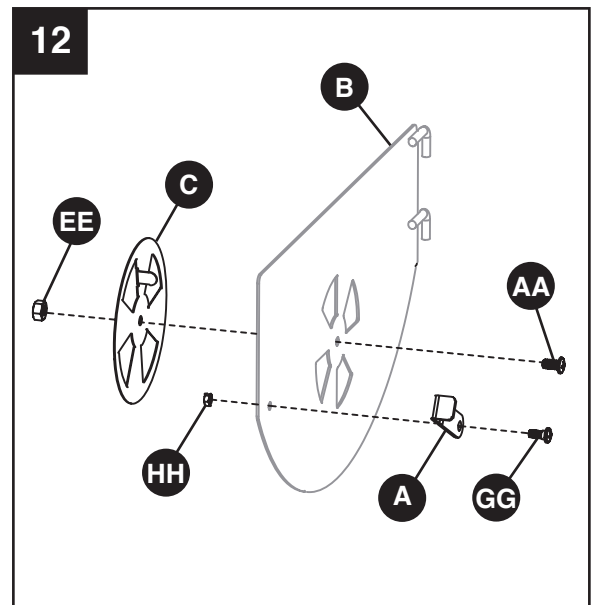
ASSEMBLY INSTRUCTIONS

11. Attach the lid assembly (E) to the hinges on the grill body (D) using the pre-installed bolt and washer.

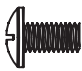





12. Attach the side damper plate (C) to the inside of the access door (B) using one M6 x 12 bolt (AA) and one M6 lock nut (EE).

Attach the door latch (A) to the outside of the access door (B) using one M5 x 13mm bolt (GG) and one M5 nut (HH).



Hardware Used

AA	M6 x 12mm Bolt		x 1
EE	M6 Lock Nut		x 1
GG	M5 x 13mm Bolt		x 1
HH	M5 Nut		x 1

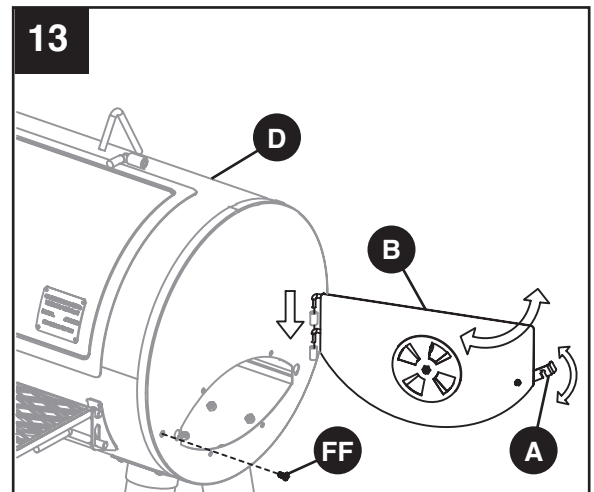
ASSEMBLY INSTRUCTIONS

13. Screw one M6 x 14 shoulder bolt (FF) into the grill body (D). Attach the access door (B) to the grill body (D) by sliding the hinge rods into the hinge openings on the grill body (D).

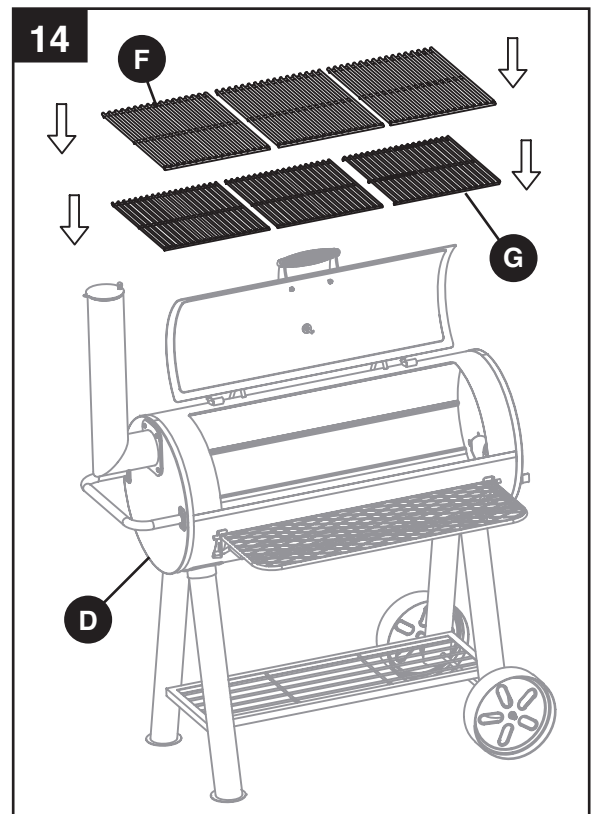
Latch the access door (B) by pivoting the door latch (A) onto the M6 x 14 bolt on the grill body (D).

Hardware Used

FF	M6 x 12mm Bolt		x 1
-----------	----------------	---	-----



14. Install the charcoal grates (G) on the bottom support rails inside the grill body (D). Install the cooking grates (F) on the top support rails inside the grill body (D).



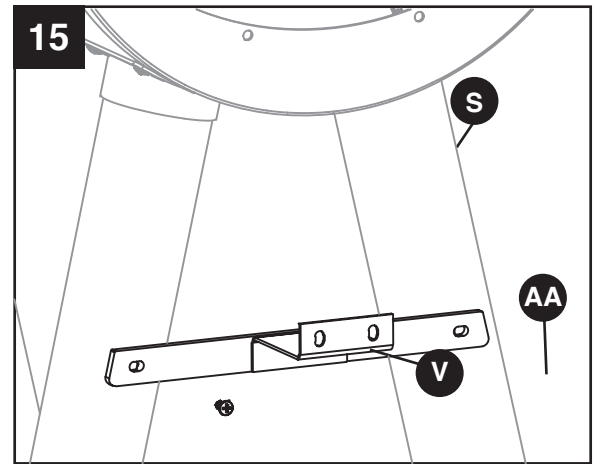
ASSEMBLY INSTRUCTIONS

15. Attach the offset support bracket (V) to the right front and right rear leg (S) using two M6 x 12 bolts (AA).

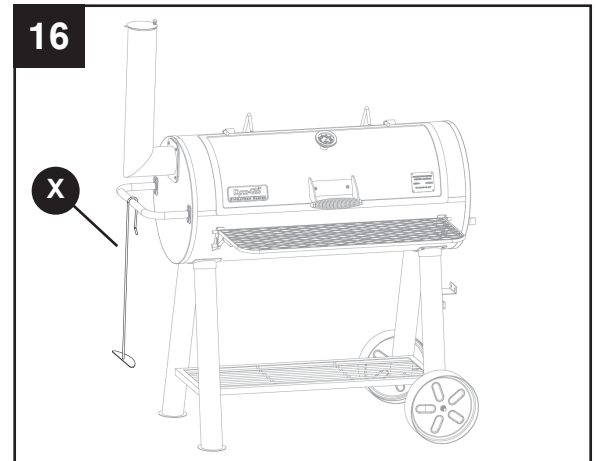
Note: This bracket is used to support Dyna-Glo smoker box model DGSS287CB-D (Sold Separately)

Hardware Used

AA M6 x 12mm Bolt  x 2



16. Store Ash Removal Tool (X) on side handle, when not in use.



OPERATING INSTRUCTIONS

BEFORE FIRST USE

Remove all hangings or plastic straps, if present.

It is important to "season" your grill, prior to cooking food. Seasoning seals the paint and interior of your smoker to enhance flavoring, durability and overall performance. To season your grill, simply use it as you normally would without adding food. You will need to follow all of the lighting and operating procedures in the next few sections of this manual.

Seasoning the Grill

Using the recommended amount of charcoal (listed below), burn the grill for at least 30-45 minutes.

Lighting Instructions

Start with at least 4 lbs. (1.8 kgs.) of charcoal (75 standard briquettes).

Make adjustments as needed when cooking in colder climates or during high winds, and/or when fair amounts of precipitation are present.

Step 1

Note: Please refer to the manufacturer's recommended amount of charcoal lighter fluid before applying fluid to the briquettes. Charcoal can be added to the grill by removing the cooking grates. Pile the charcoal towards the middle of the charcoal grate. Briquettes should be packed closely together for maximum burn efficiency. Saturate charcoal with the amount of charcoal lighter fluid as recommended by the charcoal lighter fluid manufacturer. After soaking the charcoal, place the charcoal lighter fluid at a safe distance away from the grill. Allow the charcoal lighter fluid to soak into the charcoal for 3 minutes before lighting.

Step 2

With lid open, stand back and carefully light charcoal and allow to burn until covered with a light ash (approximately 20-25 minutes). Charcoal lighter fluid must be allowed to completely burn off prior to closing the lid. (Fumes will tend to collect in both fireboxes, when both lids are closed).

Step 3

After 20-25 minutes, charcoal should be ready for grilling. Use heat-resistant gloves or oven mitts when placing the cooking grates back into the grill.

⚠ WARNING: Use caution since flames can flare-up when fresh air suddenly comes in contact with fire. When opening the lid, keep hands, face and body a safe distance from hot steam and flame flare-ups.

⚠ WARNING: Never add charcoal lighting fluid to hot or even warm coals as flashback may occur causing severe burns.

Allow the ashes to completely cool before reusing or cleaning the grill or smoker.

CARE AND MAINTENANCE

AFTER USE SAFETY AND MAINTENANCE

WARNING

- Use caution when lifting and moving the unit to avoid strain injuries. Two people are recommended to lift or move the unit.
- **DO NOT** store the unit near gasoline or other combustible liquids or where combustible vapors may be present. Keep the area around the appliance clear and free of combustible materials and vapors.
- **DO NOT** store this appliance in an area accessible to children or pets. Store the appliance in a dry, protected location.
- **DO NOT** allow anyone to conduct activities around the appliance following use until it has cooled. It is hot during operation and remains hot for a period of time following use.
- **DO NOT** leave hot ashes unattended until the appliance cools completely.
- The grill becomes extremely hot – allow the appliance to cool completely before handling. Allow the grill to cool before removing and cleaning the grease cup.
- Dispose of **cold** ashes by wrapping them in heavy-duty aluminum foil and putting them in a noncombustible container.
- If you must dispose of the ashes in less time than it takes for them to completely cool, remove the ashes using heat-resistant gloves, along with Dyna Glo ash scoop (if equipped), metal tongs, or fire place shovel. Place the ashes in aluminum foil. Completely soak the ashes with water before disposing of them in a noncombustible container.

 **CAUTION: All care and maintenance procedures are to be performed while the unit is completely cooled.**

Clean the cooking grates with hot, soapy water. Rinse and dry thoroughly. You may prefer to coat the cooking grates lightly with cooking oil or cooking spray.

To clean the inside and outside of the grill body, simply use a damp cloth. Spray-washing with a water hose is not recommended. Moisture should be wiped away and not allowed to stand inside or on top of the unit. Once cleaned, you may prefer to lightly coat the interior of the grill body with cooking oil or cooking spray.

If rust is present on the exterior surface of the unit, clean the area with steel wool or emery cloth and use heavy-duty, heat-resistant paint.

NEVER apply additional paint to the interior of the unit. If rust is present on the interior of the grill, clean it thoroughly with steel wool or emery cloth and lightly coat the area with cooking oil or cooking spray to help minimize recurring rust.

To protect your unit from weather conditions, always keep it covered while not in use.

WARRANTY

This charcoal grill is warranted against broken or damaged parts at the time of purchase. All parts carry a one (1) year limited warranty. Paint is warranted to be free of defects for 90 days except for rust, which may appear after repeated use.

This warranty does not cover damage or issues related to neglect, abuse or modifications to the appliance. Repair labor is not covered.

All parts that meet the warranty requirements will be shipped at no charge via the discretion of GHP Group Inc. (ground shipments, US Mail or Parcel Post ONLY). Any special handling charges (i.e. Second Day, Overnight, etc.) will be the responsibility of the consumer.

All warranty claims apply only to the original purchaser and require a proof of purchase verifying purchase date. Do not return parts to GHP address without first obtaining a return authorization number from our customer service. This service is available by calling toll free 1-877-447-4768, 8:00 a.m. - 4:30 p.m. CST, Monday - Friday.

Some states do not allow the exclusion or limitation of incidental or consequential damages or limitations on how long an implied warranty lasts, so the above limitations or exclusions may not apply to you. This warranty gives you specific legal rights, and you may have other rights that vary from state to state.

GHP Group Inc.
6440 W. Howard Street
Niles, IL, USA
60714-3302

Item name: Heavy-Duty Barrel Charcoal Grill
Model #: DGSS675CB / DGSS675CB-D

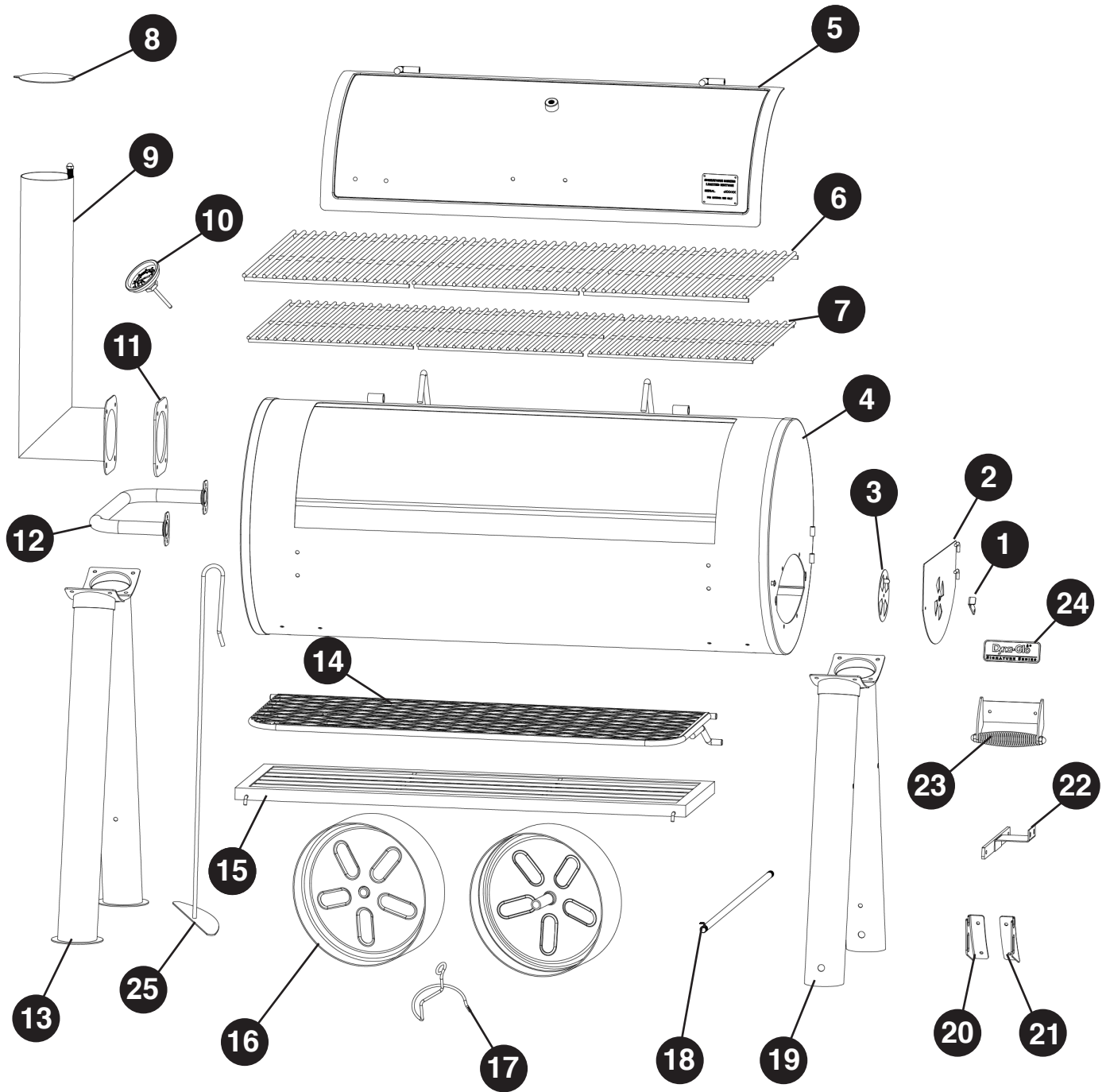
REPLACEMENT PARTS LIST

For replacement parts, call our customer service department at 1-877-447-4768, 8:00 a.m. – 4:30 p.m. CST, Monday – Friday or email customerservice@ghpgroupinc.com.

PART	DESCRIPTION	PART #
1	Side Access Door Latch	70-01-592
2	Side Access Door	70-01-594
3	Side Damper Plate	70-01-593
4	Chamber	70-01-604
5	Lid	70-01-601
6	Cooking Grills	70-01-599
7	Charcoal Grate (1pc)	70-01-547
8	Smoke Stack Damper	70-01-522
9	Smoke Stack	70-01-548
10	Temperature Gauge	70-01-518
11	Smoke Stack Gasket	70-01-549
12	Side Handle - Grill Body	70-01-550
13	Left Legs - Front / Rear (1pc)	70-01-551

PART	DESCRIPTION	PART #
14	Front Shelf	70-01-602
15	Bottom Table	70-01-603
16	Wheel - Left / Right (1pc)	70-01-516
17	Grease Cup Holder	70-01-554
18	Wheel Axle	70-01-513
19	Wheel Legs	70-01-555
20	Front Shelf Bracket - Left	70-01-559
21	Front Shelf Bracket - Right	70-01-566
22	Offset Support Bracket	70-01-556
23	Lid Handle	70-01-584
24	Dyna Glo Badge	70-01-562
25	Ash Removal Tool	70-01-987
n/a	Instruction Manual	70-10-585
n/a	Hardware Pack	70-09-520

REPLACEMENT PARTS LIST



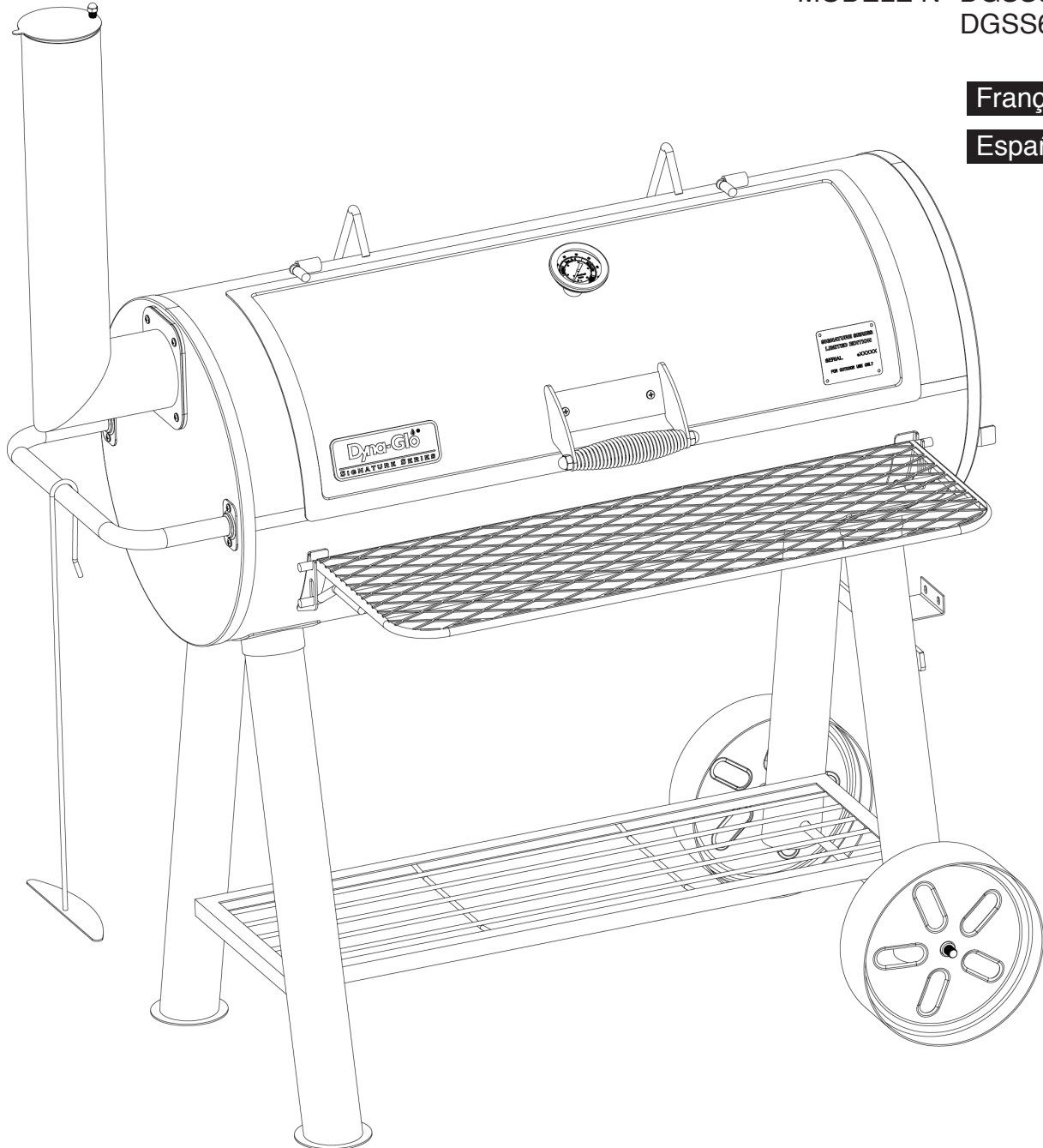


Barbecue au charbon haute-capacité cylindrique

MODÈLE N° DGSS675CB-D/
DGSS675CB

Français p. 19

Español p. 37



AGRAFEZ VOTRE FACTURE ICI

Numéro de série _____ Date d'achat _____



Des questions, des problèmes, des pièces manquantes? Avant de retourner chez votre détaillant, appelez notre service à la clientèle au 1 877 447-4768, entre 8 h et 16 h 30 (HNC), du lundi au vendredi ou écrivez à customerservice@ghpgroupinc.com.

70-10-585


Rév. 6/12/20

TABLE DES MATIÈRES

Informations relatives à la sécurité	20
Contenu de l'emballage	22
Quincaillerie fournie	23
Préparation	23
Instructions d'assemblage	24
Instructions de fonctionnement	32
Entretien et maintenance	33
Garantie	34
Liste des pièces de rechange	35

INFORMATIONS RELATIVES À LA SÉCURITÉ

Veillez lire et comprendre le présent guide avant de tenter d'assembler, d'utiliser ou d'installer le produit. Si vous avez des questions concernant le produit, appelez notre service à la clientèle au 1 877 447-4768, entre 8 h et 16 h 30 (HNC), du lundi au vendredi, ou écrivez à customerservice@ghpgroupinc.com.

 Faites preuve de prudence lorsque vous soulevez et déplacez l'appareil afin d'éviter les douleurs et les blessures au dos. Ne déplacez jamais l'appareil lorsqu'il est en onction.

- N'utilisez **PAS** l'appareil près de matériaux inflammables ou combustibles, comme une terrasse, un porche ou un abri à voitures, ou sous de tels matériaux.
- Le dégagement minimum entre l'appareil et les constructions combustibles, sur les côtés et à l'arrière, est de 91,4 cm (36 po).
- N'utilisez **PAS** l'appareil sous des constructions.
- N'utilisez **PAS** l'appareil comme réchaud.
- Utilisez l'appareil sur une surface stable, nivelée et non combustible comme de l'asphalte, du béton ou tout autre sol solide.
- N'utilisez **PAS** l'appareil sur des matériaux inflammables comme un tapis ou une terrasse en bois.
- Faites preuve de prudence lorsque vous assemblez et utilisez l'appareil pour éviter de vous couper ou de vous écorcher sur les rebords de l'appareil ou de ses pièces.
- N'utilisez **PAS** le produit de quelque manière autre que la fonction pour laquelle il a été prévu. Il n'est **PAS** destiné à un usage commercial. Il n'est **PAS** conçu pour une installation ou un usage à bord d'un véhicule récréatif ou d'un bateau.

INFORMATIONS RELATIVES À LA SÉCURITÉ

- N'entreposez **PAS** l'appareil près d'essence ou d'autres liquides combustibles, ni dans des endroits où des vapeurs combustibles peuvent être présentes.
- Ne rangez et n'utilisez **PAS** le produit dans un endroit accessible aux enfants ou aux animaux domestiques. Rangez-le dans un endroit sec et protégé.
- Ne laissez **PAS** l'appareil sans surveillance pendant qu'il est en fonction.
- Ne laissez **PAS** de cendres chaudes sans surveillance tant que le barbecue n'a pas complètement refroidi.
- Ne déplacez **PAS** l'appareil lorsqu'il est en fonction ou que les cendres sont encore chaudes. Laissez-le refroidir complètement avant de le déplacer ou de le ranger.
- N'utilisez **JAMAIS** d'essence, de kérosène, d'essence à briquet Zippo/Ronson ou d'autres fluides très volatils comme allume-feu.
- Faites toujours cuire les aliments sur la grille une fois que les flammes se sont éteintes d'elles-mêmes.
- Jetez les cendres froides en les enveloppant dans du papier d'aluminium très résistant et en les plaçant dans un contenant incombustible. Assurez-vous qu'il n'y a aucune matière combustible dans le contenant ou près de celui-ci.
- Si vous devez jeter les cendres avant qu'elles n'aient complètement refroidi, retirez-les de l'appareil à l'aide de gants résistants à la chaleur et de longues pinces en métal ou d'une pelle à cendres. Placez les braises dans du papier d'aluminium et trempez-les complètement dans l'eau avant de les jeter dans un contenant incombustible.
- Laissez l'appareil refroidir complètement avant de procéder au nettoyage et à l'entretien habituels de l'appareil.
- L'appareil sera brûlant pendant et après l'utilisation. Utilisez des mitaines de four ou des gants isolants pour vous protéger des surfaces brûlantes et des éclaboussures de liquides de cuisson chauds.
- La graisse et les autres liquides accumulés dans le récupérateur de graisse seront chauds après l'utilisation de l'appareil. Laissez le récupérateur de graisse refroidir complètement avant de l'enlever ou de le jeter. Si le récupérateur de graisse doit être retiré avant d'avoir complètement refroidi, utilisez des gants résistants à la chaleur ou des mitaines de four pour le retirer ou le jeter.
- Faites preuve de prudence lorsque vous ouvrez le couvercle de l'appareil pendant qu'il est en fonction. Gardez vos mains, votre visage et votre corps loin de la vapeur chaude et des flammes. N'inhalez **PAS** de fumée.
- Ne portez **PAS** de vêtements amples lorsque vous utilisez le barbecue. Attachez vos cheveux, s'ils sont longs, lorsque vous utilisez le barbecue.
- Portez **TOUJOURS** des chaussures qui couvrent entièrement vos pieds lorsque vous utilisez le barbecue.
- N'utilisez **JAMAIS** d'accessoires de cuisson en verre, en plastique ou en céramique sur le barbecue ou à l'intérieur de celui-ci. Utilisez des accessoires en métal uniquement.
- L'utilisation d'accessoires non conçus pour une utilisation avec ce barbecue n'est pas recommandée et peut entraîner des blessures ou des bris matériels.

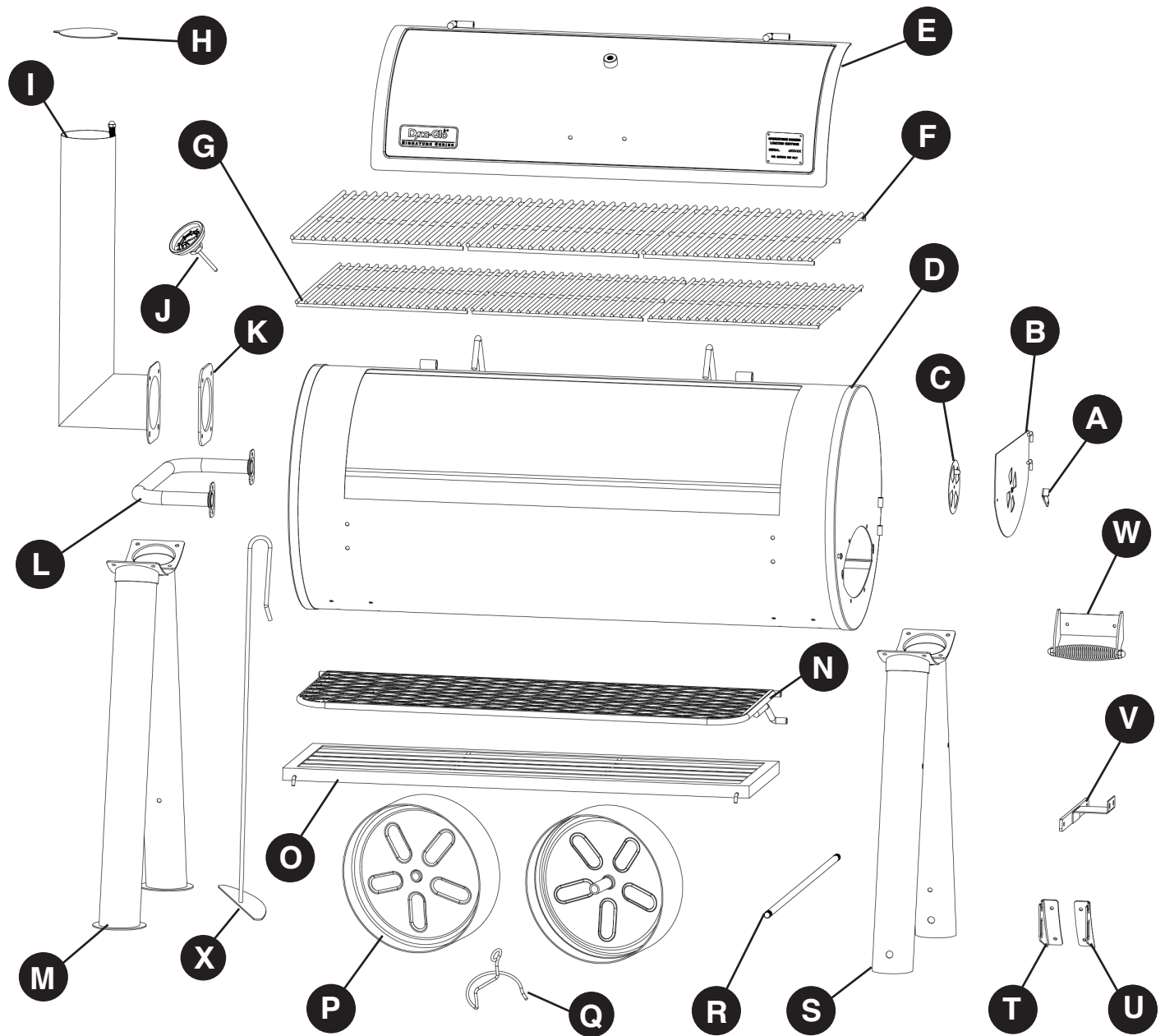
PROPOSITION 65 DE CALIFORNIE

AVERTISSEMENT

Ce produit et les combustibles utilisés pour le faire fonctionner (charbon ou bois), de même que les produits de leur combustion, peuvent vous exposer à des substances chimiques comme le noir de carbone, reconnu par l'État de la Californie comme causant le cancer, ou le monoxyde de carbone, reconnu par l'État de la Californie comme causant des anomalies congénitales ou d'autres problèmes de reproduction.

Pour plus de renseignements, visitez le www.p65Warnings.ca.gov

CONTENU DE L'EMBALLAGE



PIÈCE	DESCRIPTION	QUANTITÉ
A	Loquet de la porte d'accès	1
B	Porte d'accès latérale	1
C	Registre latéral	1
D	Chambre	1
E	Couvercle	1
F	Grilles de cuisson	3
G	Grilles à charbon	3
H	Clapet d'aération de la cheminée	1
I	Cheminée	1
J	Jauge de température	1
K	Joint de la cheminée	1
L	Poignée latérale – bâti du barbecue	1

PIÈCE	DESCRIPTION	QUANTITÉ
M	Pied gauche – avant/arrière	2
N	Tablette avant	1
O	Table inférieure	1
P	Roues	2
Q	Support du récupérateur de graisse	1
R	Axe de roue	1
S	Pieds à roulette	2
T	Support de tablette – gauche	1
U	Support de tablette – droit	1
V	Support de raccordement du fumoir décalé	1
W	Poignée du couvercle	1
X	Outil pour retirer les cendres	1

QUINCAILLERIE FOURNIE

AA



Boulon
M6 x 12 mm

Qté 31

BB



Écrou M6

Qté 28

CC



Rondelle
plate M6

Qté 16

DD



Écrou M12

Qté 2

EE



Écrou de
blocage M6

Qté 1

FF



Boulon
M6 x 14 mm

Qté 1

GG



Boulon
M5 x 13 mm

Qté 1

HH



Écrou M5

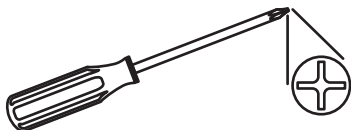
Qté 1

PRÉPARATION

Avant de commencer l'assemblage du produit, assurez-vous que toutes les pièces sont présentes. Comparez les pièces à la liste de contenu de l'emballage et de quincaillerie fournie précédemment. Si des pièces sont manquantes ou endommagées, ne tentez pas d'assembler le produit. Communiquez avec le service à la clientèle pour obtenir des pièces de rechange.

Temps d'assemblage estimé : 30 minutes

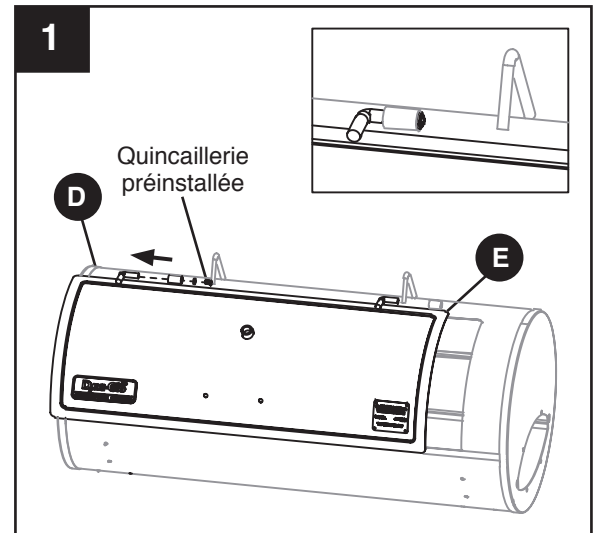
Outils nécessaires pour l'assemblage (non compris) : tournevis cruciforme, clé à molette ajustable



INSTRUCTIONS D'ASSEMBLAGE




**⚠ MISE EN GARDE : Cet appareil est LOURD.
Ne tentez pas de le manipuler sans aide!**

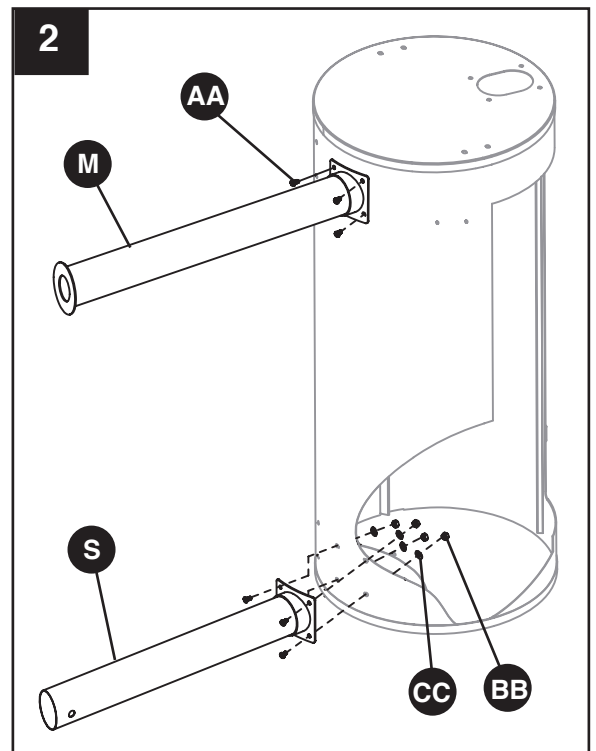
1. Retirez le boulon et la rondelle préinstallés sur la charnière gauche du couvercle du bâti du barbecue (D) et glissez le couvercle (E) hors des charnières du bâti du barbecue.



2. Fixez les pieds avant gauche (M) et droit (S) à l'aide de quatre (4) boulons M6 x 12 mm (AA), de quatre (4) écrous M6 (BB) et de quatre (4) rondelles plates M6 (CC) par pied.

Matériel utilisé




AA	Boulon M6 x 12 mm		x 8
BB	Écrou M6		x 8
CC	Rondelle plate M6		x 8



INSTRUCTIONS D'ASSEMBLAGE

3. Avant de fixer les pieds arrière, insérez les tenons de la tablette inférieure (O) dans les trous situés sur les quatre (4) pieds. Une fois la tablette inférieure (O) bien en place, fixez les pieds arrière gauche (M) et droit (S) à l'aide de quatre (4) boulons M6 x 12 mm (AA), de quatre (4) écrous M6 (BB) et de quatre (4) rondelles plates M6 (CC) par pied.

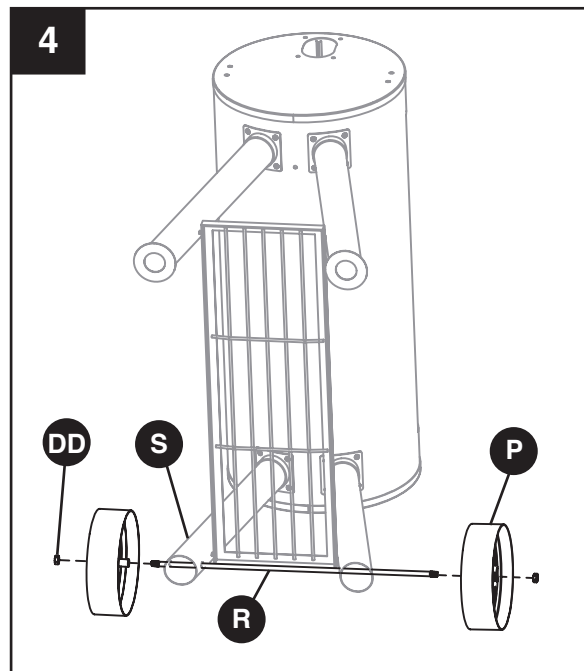
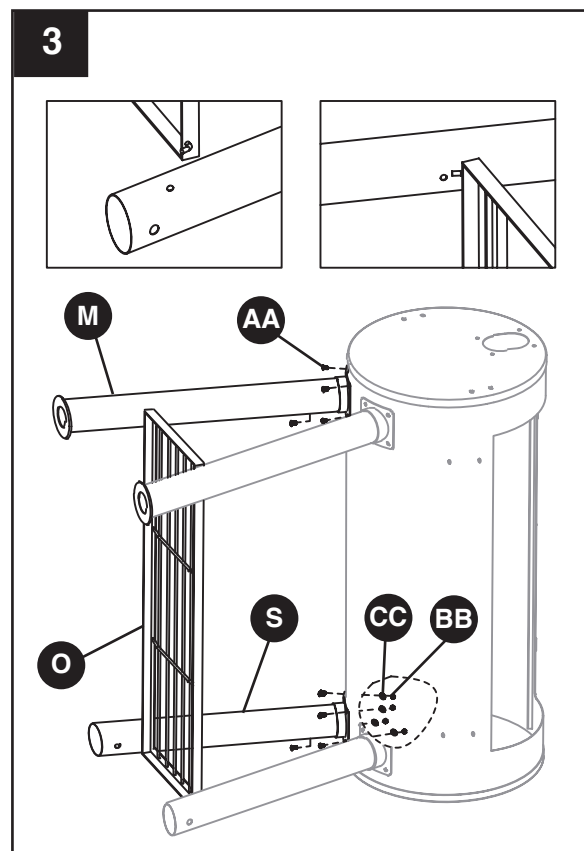
Matériel utilisé

AA	Boulon M6 x 12 mm		x 8
BB	Écrou M6		x 8
CC	Rondelle plate M6		x 8

4. Insérez l'axe de roue (R) dans les trous des pieds avant et arrière droit (S) et fixez les roues gauche et droite (P) à l'aide d'un (1) écrou M12 (DD) de chaque côté.

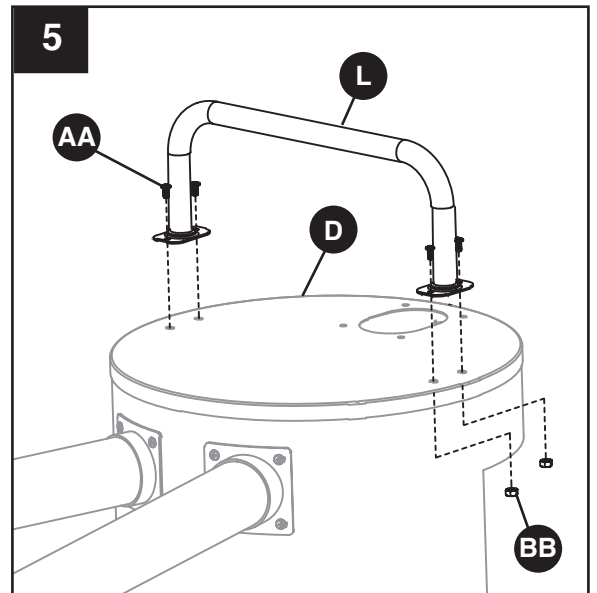
Matériel utilisé

DD	Écrou M12		x 2
-----------	-----------	---	-----



INSTRUCTIONS D'ASSEMBLAGE

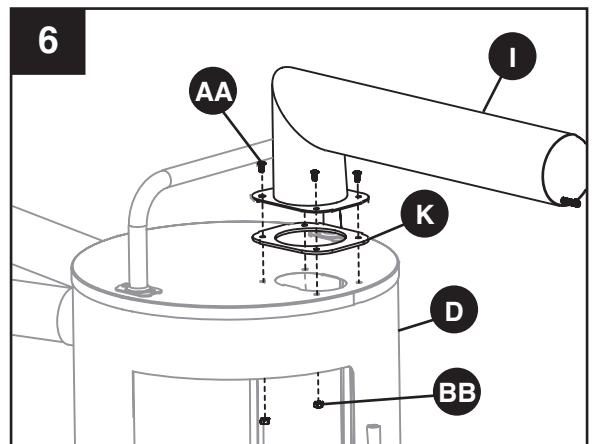
5. Fixez la poignée latérale (L) au côté gauche du bâti du barbecue (D) à l'aide de quatre (4) boulons M6 x 12 mm (AA) et de quatre (4) écrous M6 (BB).




Matériel utilisé

AA	Boulon M6 x 12 mm		x 4
BB	Écrou M6		x 4

6. Placez le joint de la cheminée (K) entre le bâti du barbecue (D) et la cheminée (I) et fixez le tout à l'aide de quatre (4) boulons M6 x 12 mm (AA) et de quatre (4) écrous M6 (BB).

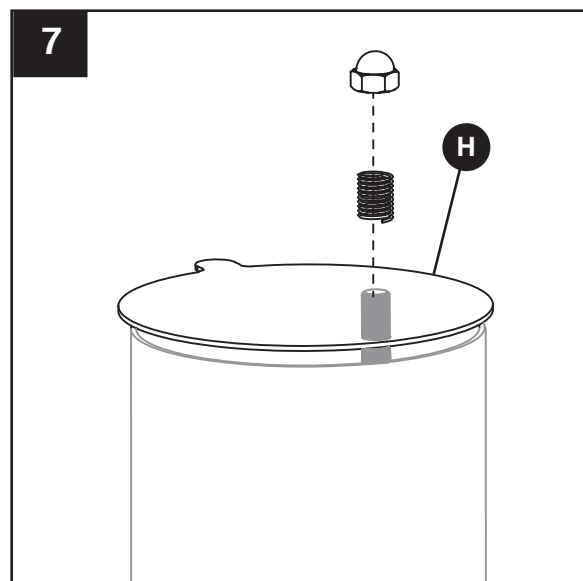


Matériel utilisé

AA	Boulon M6 x 12 mm		x 4
BB	Écrou M6		x 4

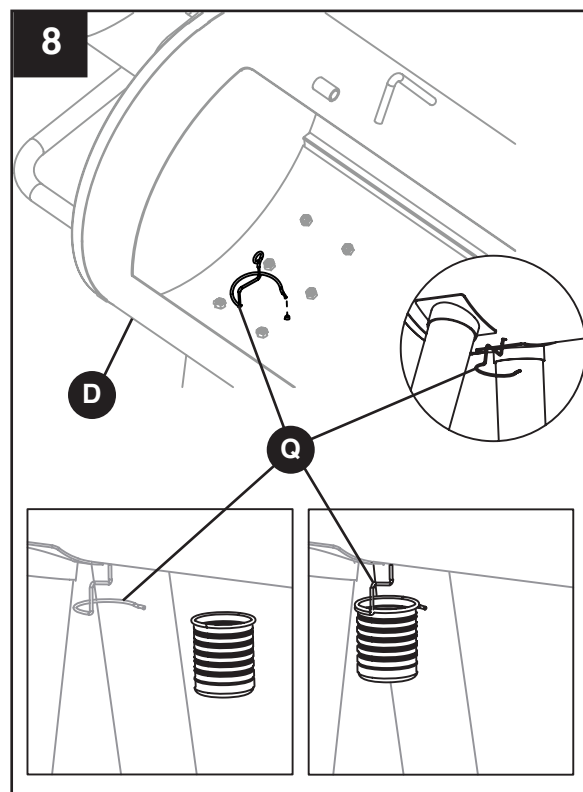
INSTRUCTIONS D'ASSEMBLAGE

7. Fixez le clapet d'aération de la cheminée (H) à l'aide du ressort et de l'écrou préinstallés.



8. Insérez l'extrémité du support du récupérateur de graisse (Q) dans le trou situé au fond du bâti du barbecue (D). Faites glisser le support dans le trou jusqu'à ce qu'il soit suspendu comme illustré.



Remarque : Ce barbecue ne comprend pas de contenant pour récupérer la graisse ou les liquides s'écoulant à l'intérieur du bâti du barbecue. Utilisez une boîte de conserve en aluminium vide d'un diamètre minimal de 58 mm (2 1/4 po) et glissez la lèvre supérieure de la boîte dans le support du récupérateur de graisse (I) comme illustré. Voir la page 21 pour savoir comment jeter la boîte après utilisation.

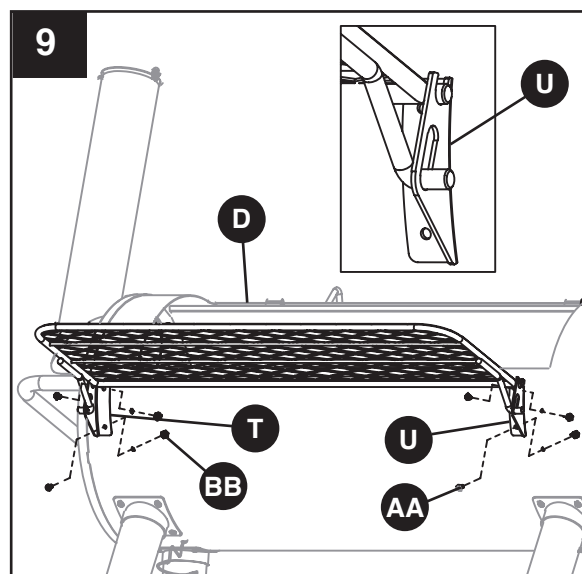


INSTRUCTIONS D'ASSEMBLAGE

9. Fixez le support de tablette de droite (U) au bâti du barbecue (D) à l'aide de deux (2) boulons M6 x 12 mm (AA) et de deux (2) écrous M6 (BB). Insérez les tiges de la tablette dans le support comme illustré. Insérez les tiges de la tablette dans le support de tablette de gauche (T) avant de le fixer à l'aide de deux (2) boulons M6 x 12 mm (AA) et de deux (2) écrous M6 (BB).

Matériel utilisé

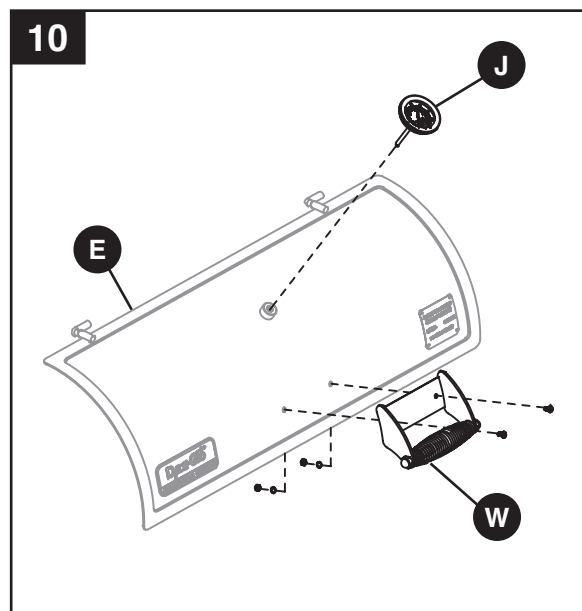
AA	Boulon M6 x 12 mm		x 4
BB	Écrou M6		x 4



10. Fixez la jauge de température (J) en insérant la sonde par l'ouverture fileté du couvercle (E) et en tournant dans le sens horaire. Ne retirez pas l'écrou préinstallé avant l'installation.

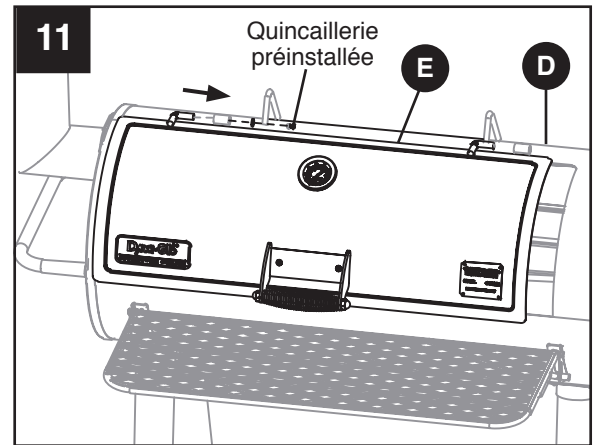
REMARQUE : L'alignement de la jauge de température peut être réglé en tournant l'écrou préinstallé dans le sens horaire (ou antihoraire) avant l'installation.

Fixez la poignée du couvercle (W) au couvercle (E) à l'aide des boulons, des écrous et des rondelles plates préinstallés.



INSTRUCTIONS D'ASSEMBLAGE

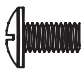



11. Fixez le couvercle (E) aux charnières du bâti du barbecue (D) à l'aide du boulon et de la rondelle préinstallés.

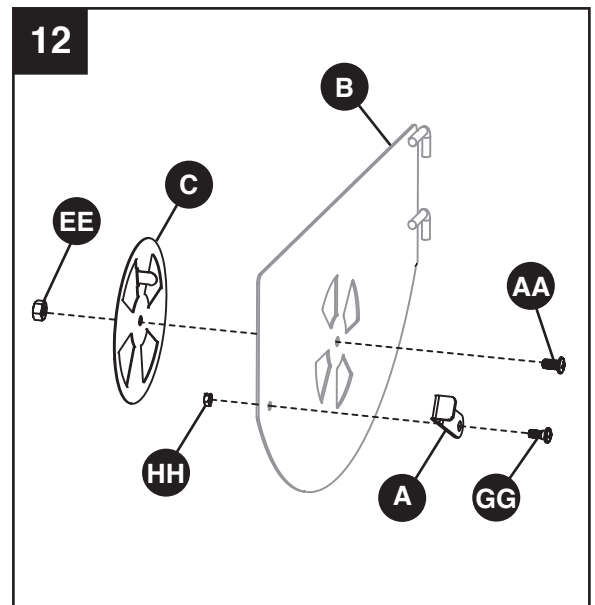


12. Fixez le registre latéral (C) à l'intérieur de la porte d'accès (B) à l'aide d'un (1) boulon M6 x 12 mm (AA) et d'un (1) écrou de blocage M6 (EE).

Fixez le loquet de la porte (A) à l'extérieur de la porte d'accès (B) à l'aide d'un (1) boulon M5 x 12 mm (GG) et d'un (1) écrou M5 (HH).

Matériel utilisé

AA	Boulon M6 x 12 mm		x 1
EE	Écrou de blocage M6		x 1
GG	Boulon M5 x 13 mm		x 1
HH	Écrou M5		x 1



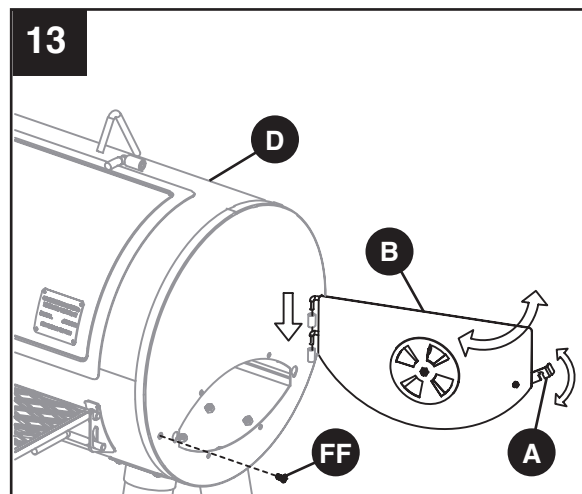
INSTRUCTIONS D'ASSEMBLAGE

13. Vissez un (1) boulon à épaulement M6 x 14 mm (FF) dans le bâti du barbecue (D). Fixez la porte d'accès (B) au bâti du barbecue (D) en faisant glisser les tiges de la charnière dans les trous de la charnière du bâti du barbecue (D).

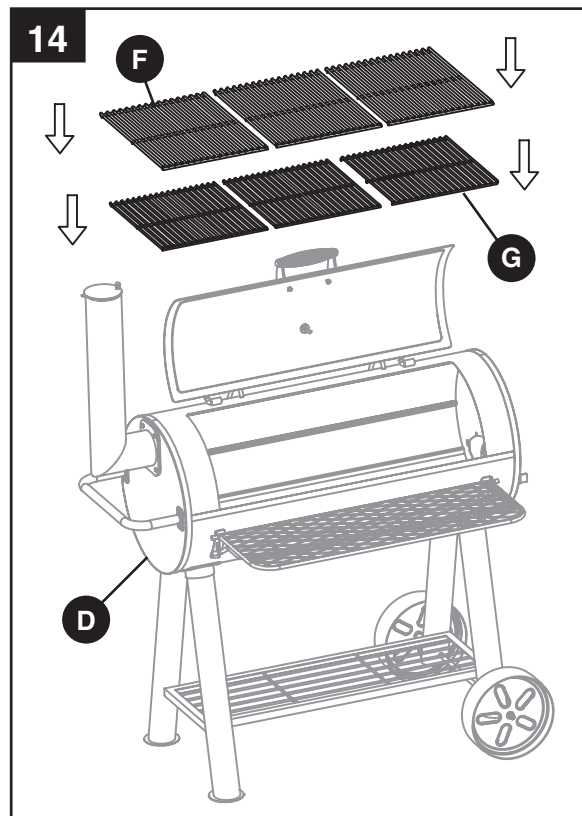
Verrouillez la porte d'accès (B) en pivotant le loquet de la porte (A) sur le boulon M6 x 14 mm du bâti du barbecue (D).

Matériel utilisé

FF Boulon M6 x 12 mm  x 1



14. Placez les grilles à charbon (G) sur les rails de soutien inférieurs à l'intérieur du bâti du barbecue (D). Placez les grilles de cuisson (F) sur les rails de soutien supérieurs à l'intérieur du bâti du barbecue (D).



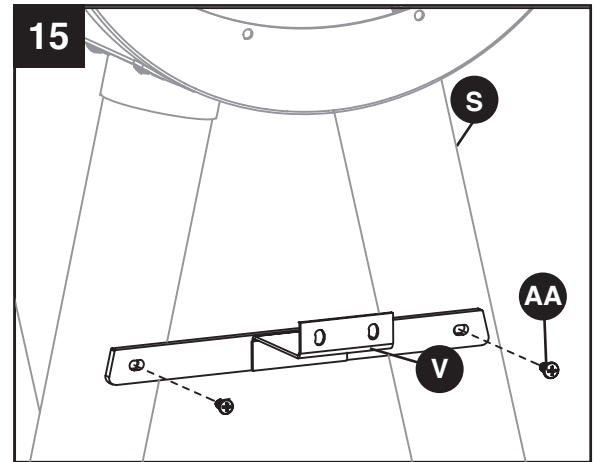
INSTRUCTIONS D'ASSEMBLAGE

15. Fixez le support de raccordement du fumoir décalé (V) aux pieds avant et arrière droit (S) à l'aide de deux (2) boulons M6 x 12 mm (AA).

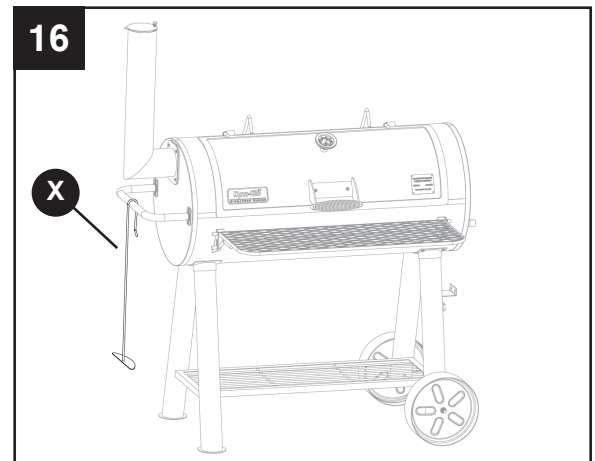
Remarque : Ce support sert à soutenir la chambre de combustion du fumoir décalé Dyna-Glo DGSS287CB-D (vendu séparément).

Matériel utilisé

AA Boulon
M6 x 12 mm  x 2



16. Accrochez l'outil pour retirer les cendres (X) à la poignée latérale entre les utilisations.



INSTRUCTIONS DE FONCTIONNEMENT

AVANT LA PREMIÈRE UTILISATION

Retirez tous les emballages et toutes les attaches de plastique, le cas échéant.

Avant la cuisson des aliments, il est important de culotter le barbecue. Le culottage permet de sceller la peinture et l'intérieur de l'appareil pour améliorer le goût des aliments, en plus d'augmenter la durabilité et la performance globale. Pour culotter le barbecue, utilisez-le comme vous le feriez normalement, mais en ne faisant cuire aucun aliment. Vous devrez suivre toutes les procédures d'allumage et d'utilisation des prochaines sections de ce guide.

Culottage du barbecue

En utilisant la quantité recommandée de charbon (indiquée ci-dessous), faites chauffer le barbecue pendant au moins 30 à 45 minutes.

Instructions d'allumage

Commencez avec au moins 1,8 kg (4 lb) de charbon (75 briquettes standards). Ajustez la quantité au besoin lorsque vous cuisinez par temps froid, venteux ou pluvieux.

Étape 1

Remarque : Veuillez vous reporter aux recommandations du fabricant pour connaître la quantité d'allume-feu liquide pour charbon de bois avant d'en mettre sur les briquettes. Il est possible d'ajouter du charbon au barbecue en retirant les grilles de cuisson de ce dernier. Empilez le charbon au milieu de la grille à charbon. Les briquettes doivent être rapprochées les unes des autres afin d'assurer une combustion optimale. Dispersez de l'allume-feu liquide sur les charbons en respectant la quantité recommandée par le fabricant. Après avoir laissé le charbon s'imbiber, placez l'allume-feu liquide à une distance sécuritaire du barbecue. Laissez l'allume-feu liquide s'imbiber dans le charbon pendant trois (3) minutes avant l'allumage.

Étape 2

Alors que le couvercle est ouvert, tenez-vous à l'écart, allumez le charbon avec prudence et laissez-le brûler jusqu'à ce qu'il soit recouvert d'une mince couche de cendre (environ 20 à 25 minutes). Il faut laisser le temps à l'allume-feu liquide de se consumer complètement avant de fermer le couvercle. (Les vapeurs auront tendance à s'accumuler dans les deux chambres de combustion lorsque les deux couvercles sont fermés.)

Étape 3

Après 20 à 25 minutes, les charbons devraient être prêts pour la cuisson. Utilisez des gants résistants à la chaleur ou des mitaines de four lorsque vous remplacez les grilles de cuisson dans le barbecue.



AVERTISSEMENT : Faites preuve de prudence, car des flammes peuvent jaillir lorsque de l'air frais entre soudainement en contact avec le feu. Lorsque vous ouvrez le couvercle, gardez vos mains, votre visage et votre corps à une distance sécuritaire de la vapeur chaude et des flammes.



AVERTISSEMENT : N'ajoutez jamais d'allume-feu liquide sur les charbons ardents ou même chauds, car cela pourrait provoquer un retour de flamme entraînant des blessures graves.

Attendez que les braises aient complètement refroidi avant de réutiliser ou de nettoyer le barbecue ou le fumoir.

SÉCURITÉ ET ENTRETIEN APRÈS USAGE

AVERTISSEMENT

- Soyez prudent lorsque vous soulevez et déplacez l'appareil afin d'éviter les douleurs et les blessures. Il est conseillé de s'y prendre à deux pour le soulever ou le déplacer.
- N'entreposez **PAS** l'appareil près d'essence ou d'autres liquides combustibles, ni dans des endroits où des vapeurs combustibles peuvent être présentes. Maintenez la zone entourant l'appareil propre et libre de tout matériau ou de toute vapeur combustibles.
- Ne rangez **PAS** l'appareil dans un endroit accessible aux enfants ou aux animaux domestiques. Rangez-le dans un endroit sec et protégé.
- Ne laissez **PERSONNE** mener des activités autour de l'appareil après son fonctionnement tant qu'il n'a pas refroidi. Il devient chaud pendant son fonctionnement et reste chaud pendant un certain temps après l'utilisation.
- Ne laissez **PAS** de cendres chaudes sans surveillance tant que l'appareil n'a pas complètement refroidi.
- Le barbecue peut devenir extrêmement chaud – laissez-le refroidir complètement avant de le manipuler. Laissez le barbecue refroidir avant d'enlever et de nettoyer le récupérateur de graisse.
- Jetez les cendres **froides** en les enveloppant dans du papier d'aluminium très résistant et en les plaçant dans un contenant incombustible.
- Si vous devez jeter les cendres avant qu'elles n'aient complètement refroidi, retirez les cendres à l'aide de gants résistants à la chaleur, de même qu'à l'aide de pinces en métal ou d'une pelle à cendres Dyna-Glo (en option) ou autre. Placez les cendres dans du papier d'aluminium. Trempez-les complètement dans l'eau avant de les jeter dans un contenant incombustible.

 **MISE EN GARDE : Toutes les procédures d'entretien et de maintenance doivent être effectuées lorsque l'appareil a complètement refroidi.**

Nettoyez les grilles de cuisson à l'aide d'eau chaude savonneuse. Rincez-les et essuyez-les bien. Il est préférable d'enduire les grilles de cuisson d'un peu d'huile ou d'aérosol de cuisson.

Pour nettoyer l'intérieur et l'extérieur du bâti du barbecue, utilisez simplement un chiffon humide. Le lavage à l'aide d'un boyau d'arrosage n'est pas recommandé. L'humidité doit être essuyée et ne doit pas être tolérée à l'intérieur ou sur le dessus du barbecue. Une fois nettoyé, il est préférable d'enduire l'intérieur du bâti du barbecue d'un peu d'huile ou d'aérosol de cuisson.

S'il y a présence de rouille à l'extérieur de l'appareil, nettoyez bien la zone à l'aide d'une laine d'acier ou d'une toile d'émeri et enduisez-la de peinture durable résistante à la chaleur.

N'appliquez JAMAIS de peinture supplémentaire à l'intérieur de l'appareil. S'il y a présence de rouille à l'intérieur du barbecue, nettoyez-le bien à l'aide d'une laine d'acier ou d'une toile d'émeri et enduisez la zone d'un peu d'huile ou d'aérosol de cuisson pour aider à réduire la réapparition de la rouille.

Pour protéger l'appareil des conditions climatiques, couvrez-le toujours lorsque vous ne l'utilisez pas.

GARANTIE

Ce barbecue au charbon est garanti contre les pièces brisées ou endommagées au moment de l'achat. Toutes les pièces sont couvertes par une garantie limitée d'un (1) an. La peinture est garantie contre les défauts pour une période de 90 jours, mais n'est pas garantie contre la rouille, qui pourrait apparaître après une utilisation répétée.

La garantie ne couvre pas les dommages et les problèmes causés par une négligence, une utilisation abusive ou des modifications apportées à l'appareil. La garantie ne couvre pas les coûts de main-d'œuvre.

Pour chaque pièce couverte par la garantie, une pièce de remplacement sera livrée sans frais selon la méthode choisie par GHP Group, Inc. (livraisons par voie terrestre, service postal des États-Unis ou services de colis postaux UNIQUEMENT). Tous les frais de manutention spéciaux (p. ex. 2 jours, jour suivant, etc.) relèvent de la responsabilité du consommateur.

Toutes les réclamations sous garantie s'appliquent uniquement à l'acheteur initial du produit et nécessitent une preuve d'achat qui indique la date d'achat. Ne retournez aucune pièce à l'adresse de GHP sans avoir obtenu au préalable un numéro d'autorisation de retour de la part du service à la clientèle. Pour obtenir ce service, appelez sans frais au 1 877 447-4768, entre 8 h et 16 h 30 (HNC), du lundi au vendredi.

Les lois en vigueur dans certains États, provinces ou territoires n'autorisent pas l'exclusion ou la limitation des dommages consécutifs ou indirects, ou encore la limitation de la durée d'une garantie implicite et, par conséquent, les limitations et exclusions énoncées ci-dessus pourraient ne pas s'appliquer à vous. La présente garantie vous accorde des droits spécifiques reconnus par la loi et vous bénéficiez peut-être aussi d'autres droits, qui peuvent varier selon l'État, la province ou le territoire.

GHP Group, Inc.
6440 W. Howard St.
Niles, IL, États-Unis
60714-3302

Nom de l'article : Barbecue au charbon haute-capacité cylindrique
N° de modèle : DGSS675CB/DGSS675CB-D

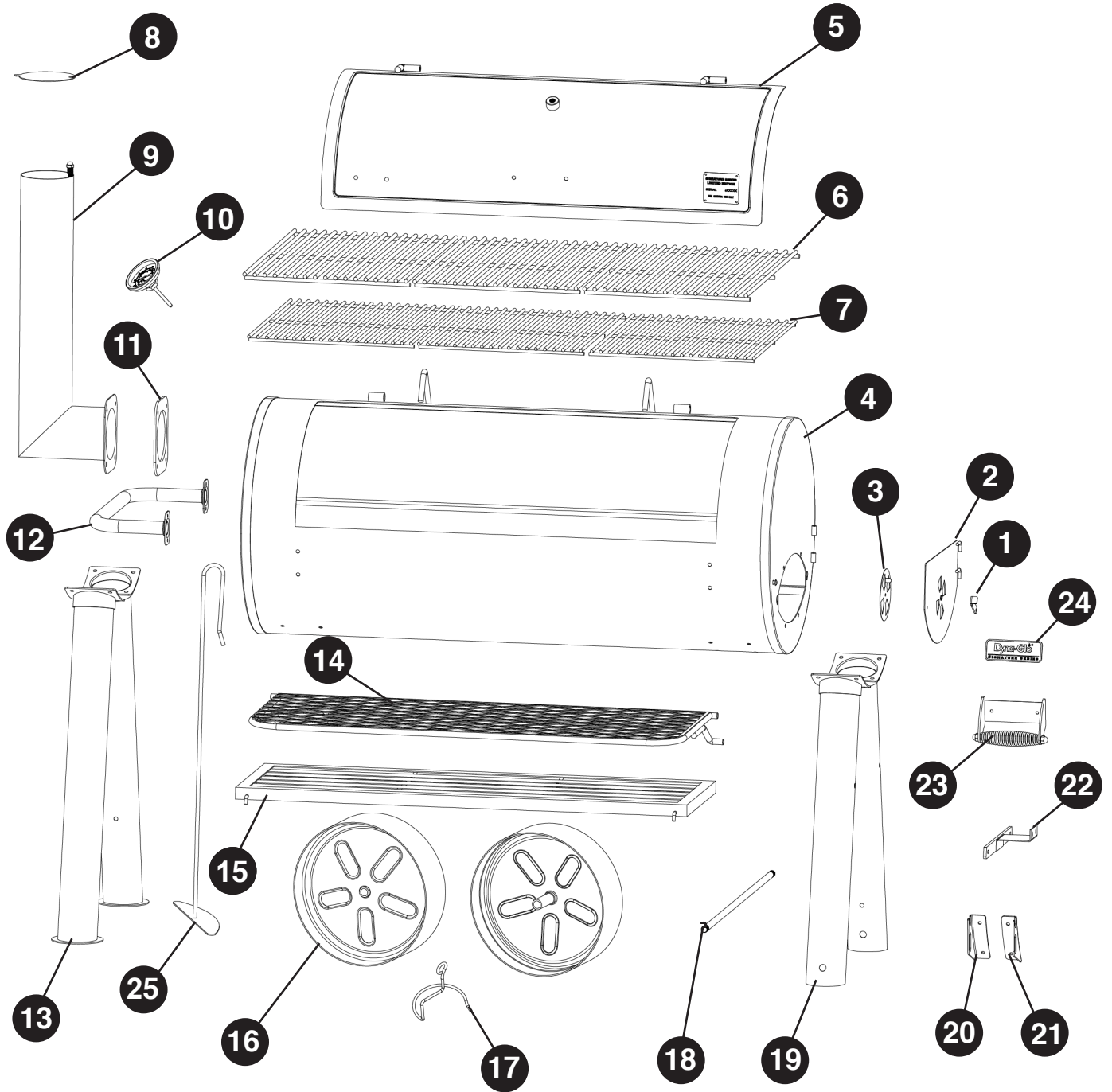
LISTE DES PIÈCES DE RECHANGE

Pour obtenir des pièces de rechange, appelez notre service à la clientèle au 1 877 447-4768, entre 8 h et 16 h 30 (HNC), du lundi au vendredi, ou écrivez à customerservice@ghpgroupinc.com.

PIÈCE	DESCRIPTION	NUMÉRO DE PIÈCE
1	Loquet de la porte d'accès latérale	70-01-592
2	Porte d'accès latérale	70-01-594
3	Registre latéral	70-01-593
4	Chamber	70-01-604
5	Lid	70-01-601
6	Cooking Grills	70-01-599
7	Grille à charbon (1)	70-01-547
8	Clapet d'aération de la cheminée	70-01-522
9	Cheminée	70-01-548
10	Jauge de température	70-01-518
11	Joint de la cheminée	70-01-549
12	Poignée latérale – bâti du barbecue	70-01-550
13	Pied gauche – avant/arrière(1)	70-01-551

PIÈCE	DESCRIPTION	NUMÉRO DE PIÈCE
14	Tablette avant	70-01-602
15	Bottom Table	70-01-603
16	Roue – gauche/droite (1)	70-01-516
17	Grease Cup Holder	70-01-554
18	Axe de roue	70-01-513
19	Wheel Legs	70-01-555
20	Support de tablette avant – gauche	70-01-559
21	Support de tablette avant – droit	70-01-566
22	Support de raccordement du fumoir décalé	70-01-556
23	Poignée du couvercle	70-01-584
24	Insigne Dyna-Glo	70-01-562
25	Outil pour retirer les cendres	70-01-987
s.o.	Guide d'instruction	70-10-585
s.o.	Trousse de matériel	70-09-520

LISTE DES PIÈCES DE RECHANGE



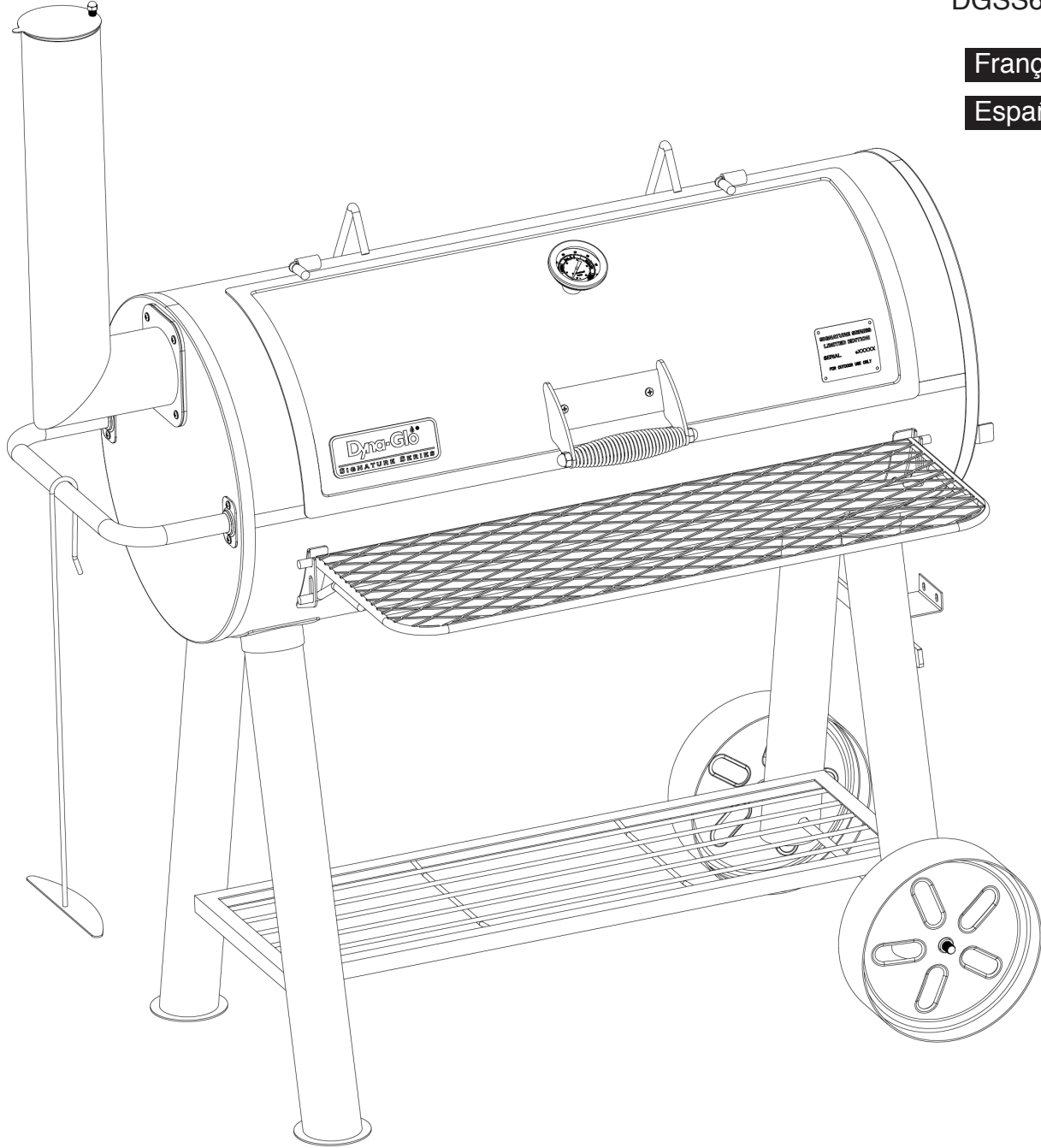


Resistente parrilla de tambor a carbón

MODELO N.º DGSS675CB-D /
DGSS675CB

Français p. 19

Español p. 37



ADJUNTE SU RECIBO AQUÍ

Número de serie _____ Fecha de compra _____




¿Dudas, problemas, piezas faltantes? Antes de volver a la tienda, llame a nuestro Departamento de Atención al Cliente al 1-877-447-4768, de lunes a viernes de 8:00 a 16:30 (hora central estándar), o escriba a customerservice@ghpgroupinc.com.

CONTENIDO

Información de seguridad	38
Contenido del paquete	40
Herramientas y tornillería.....	41
Preparación	41
Instrucciones de ensamblaje	42
Instrucciones de funcionamiento	50
Cuidado y mantenimiento	51
Garantía	52
Lista de piezas de repuesto	53

INFORMACIÓN DE SEGURIDAD

Lea el manual entero atentamente antes de intentar ensamblar, poner en funcionamiento o instalar el producto. Si tiene alguna pregunta sobre el producto, llame a nuestro Departamento de Atención al Cliente al 1-877-447-4768, de lunes a viernes de 8:00 a 16:30 (hora central estándar), o escriba a customerservice@ghpgroupinc.com.

 Tenga precaución al levantar y mover la unidad para evitar un esguince o lesión en la espalda. No mueva la unidad mientras esté en uso.

- **NO** ponga en funcionamiento la unidad cerca ni debajo de materiales combustibles o inflamables, como pisos de madera, galerías o cocheras.
- La distancia mínima desde los laterales y la parte trasera hasta la estructura combustible debe ser de 36 pulgadas (91,4 cm).
- **NO** ponga en funcionamiento la unidad debajo de techos.
- **NO** utilice esta parrilla como calefactor.
- Utilice la unidad sobre una superficie no combustible, estable y nivelada, por ejemplo, una superficie asfaltada, de cemento o tierra firme.
- **NO** ponga en funcionamiento la unidad sobre material inflamable, como alfombra o pisos de madera.
- Tenga precaución al ensamblar y utilizar esta unidad para evitar cortarse y rasparse con los bordes.
- **NO** utilice este producto con una finalidad para la que no fue diseñado. **NO** está diseñada para uso comercial. **NO** está diseñada para ser instalada o utilizada en interiores ni sobre casas rodantes o embarcaciones.

INFORMACIÓN DE SEGURIDAD

- **NO** guarde esta unidad cerca de gasolina u otros líquidos combustibles o donde podría haber otros vapores combustibles.
- **NO** utilice ni guarde esta unidad en un área a la que podrían acceder niños o mascotas. Guarde esta unidad en un lugar seco y protegido.
- **NO** deje desatendida la unidad mientras esté en uso.
- **NO** deje desatendidas las cenizas calientes hasta que la unidad se enfríe completamente.
- **NO** mueva la unidad mientras esté encendida o mientras las cenizas estén calientes. Deje que la unidad se enfríe completamente antes de moverla o guardarla.
- **NUNCA** utilice gasolina, kerosene, líquido combustible Zippo/Ronson ni otros líquidos altamente volátiles para encender la unidad.
- Siempre cocine los alimentos sobre la parrilla una vez que la llama se haya apagado.
- Deseche las cenizas frías envolviéndolas en una hoja de aluminio resistente y colocándolas en un contenedor no combustible. Asegúrese de que no haya otros materiales combustibles dentro o cerca del contenedor.
- Si debe desechar las cenizas antes de que estén completamente frías, quítelas de la unidad utilizando guantes termorresistentes junto con una pinza de metal larga o una pala para hogar. Coloque las brasas en una hoja de aluminio y mójelas por completo con agua antes de desecharlas en un contenedor no combustible.
- Deje que la unidad se enfríe completamente antes de realizar la limpieza o el mantenimiento de rutina.
- Este producto estará caliente durante y después del uso. Utilice manoplas o guantes aislantes para horno para protegerse de las superficies calientes o de las salpicaduras de los líquidos que se estén cocinando.
- La grasa u otros líquidos dentro de la grasera estarán calientes después de utilizar este artefacto. Deje que la grasera se enfríe por completo antes de extraerla o desecharla. Si debe extraer la grasera antes de que esté completamente fría, utilice manoplas o guantes termorresistentes para extraerla o desecharla.
- Tenga precaución al abrir la puerta de la unidad durante el funcionamiento. Protéjase las manos, el rostro y el cuerpo del vapor caliente o de las llamaradas. **NO** inhale humo.
- **NO** use vestimentas sueltas mientras cocina en la unidad. Sujétese el cabello hacia atrás mientras cocina.
- **SIEMPRE** use calzado que le cubra completamente los pies mientras cocine en la unidad.
- **NUNCA** use vajilla de cristal ni utensilios de plástico o cerámica sobre la unidad ni dentro de ella. Use utensilios metálicos únicamente.
- El uso de accesorios que no estén diseñados para esta unidad no es recomendable y podría causar lesiones personales o daños materiales.

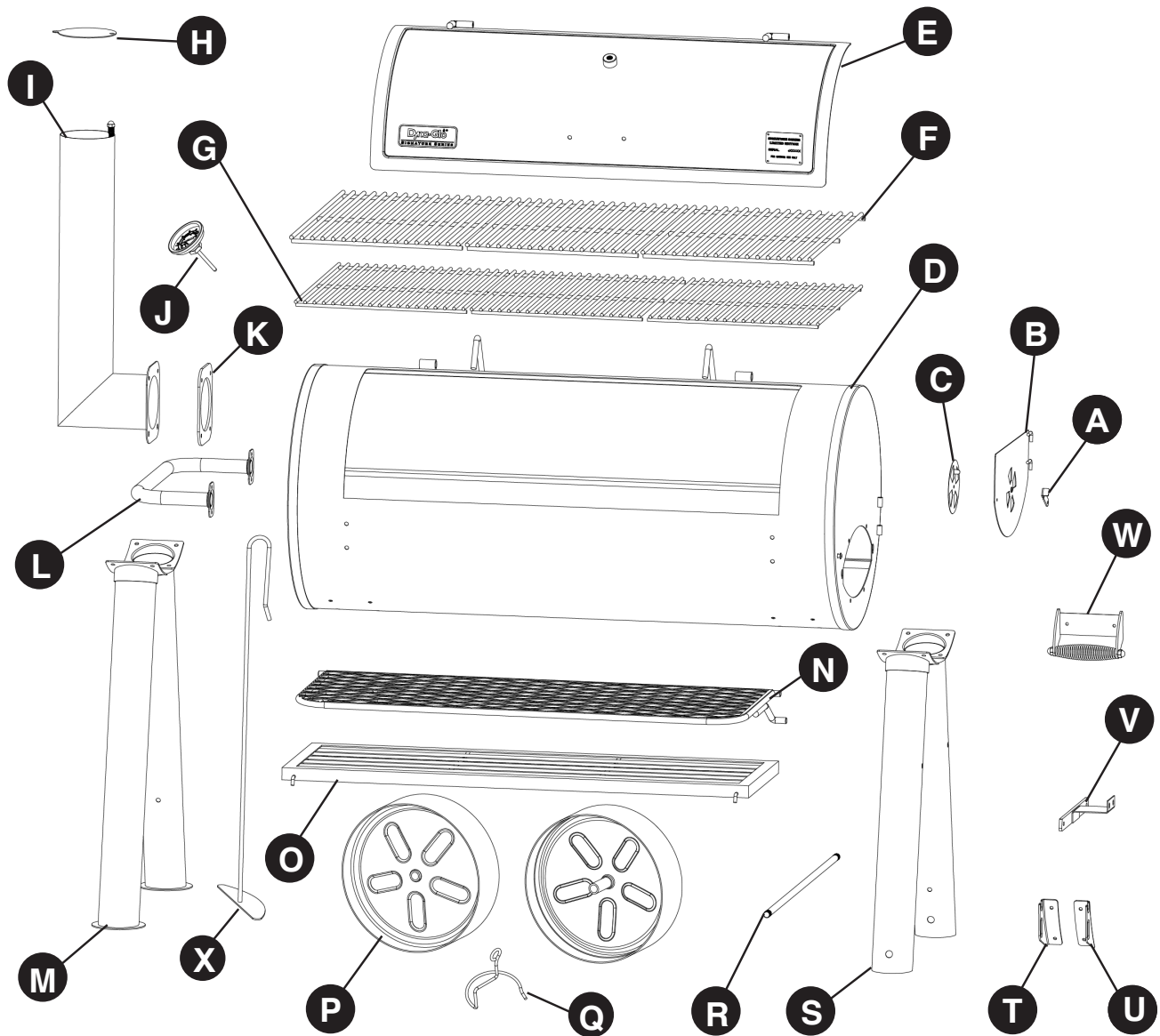
PROPOSICIÓN 65 DE CALIFORNIA

ADVERTENCIA

Este producto y los combustibles utilizados para poner en funcionamiento este producto (carbón o madera) y los productos de la combustión de tales combustibles, pueden exponerlo a sustancias químicas como el negro de carbón, que según el estado de California, puede provocar cáncer, y el monóxido de carbono, que, según el estado de California, puede provocar anomalías congénitas u otros daños reproductivos.

















Para obtener más información, visite www.p65Warnings.ca.gov

CONTENIDO DEL PAQUETE



PIEZA	DESCRIPCIÓN	CANTIDAD	PIEZA	DESCRIPCIÓN	CANTIDAD
A	Cerrojo de puerta lateral	1	M	Pata izquierda - Frontal/trasera	2
B	Puerta de acceso lateral	1	N	Estante frontal	1
C	Plato regulador lateral	1	O	Estante inferior	1
D	Estructura de la parrilla	1	P	Ruedas	2
E	Conjunto de la tapa	1	Q	Soporte de la grasera	1
F	Rejilla para cocinar	3	R	Eje de las ruedas	1
G	Rejillas para carbón	3	S	Pata derecha - Frontal/trasera	2
H	Regulador de tiro de la chimenea	1	T	Abrazadera del estante - Izquierda	1
I	Chimenea	1	U	Abrazadera del estante - Derecha	1
J	Indicador de temperatura	1	V	Abrazadera de soporte del conjunto lateral	1
K	Junta de la chimenea	1	W	Manija de la tapa	1
L	Manija lateral - Estructura de la parrilla	1	X	Pala para retirar cenizas	1

HERRAMIENTAS Y TORNILLERÍA

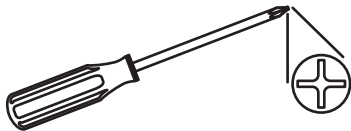
							
							
Perno M6 x 12	Tuerca M6	Arandela plana M6	Tuerca M12	Contratuerca M6	Perno M6 x 14	Perno M5 x 13	Tuerca M5
Cant. 31	Cant. 28	Cant. 16	Cant. 2	Cant. 1	Cant. 1	Cant. 1	Cant. 1

PREPARACIÓN

Antes de comenzar a ensamblar el producto, asegúrese de tener todas las piezas. Compare las piezas con la lista del contenido del paquete, y con las herramientas y tornillería que figuran arriba. No intente ensamblar el producto si falta una pieza o hay una pieza dañada. Comuníquese con el servicio de atención al cliente para obtener las piezas de repuesto.

Tiempo estimado para el ensamblaje: 30 minutos

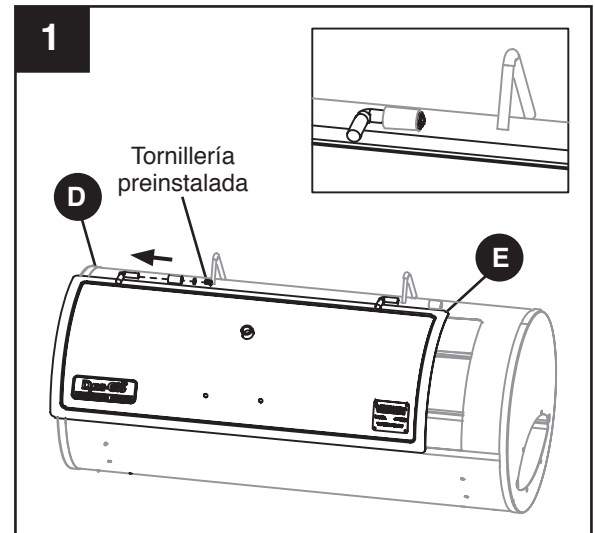
Herramientas requeridas para el ensamblaje (no incluidas): destornillador Phillips, llave ajustable



INSTRUCCIONES DE ENSAMBLAJE

**⚠ PRECAUCIÓN: Esta unidad es PESADA.
No intente manipular esta unidad sin ayuda.**

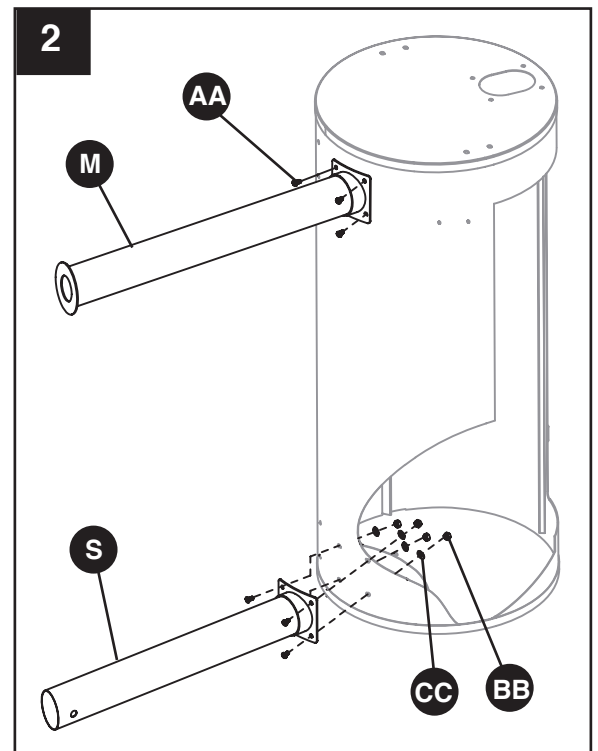
1. Quite el perno y la arandela preinstalados de la bisagra izquierda de la tapa de la estructura de la parrilla (D) y deslice la tapa (E) hacia afuera de las bisagras de la estructura de la parrilla.



2. Fije la pata frontal izquierda (M) y la pata frontal derecha (S) utilizando cuatro pernos M6 x 12 (AA), cuatro tuercas M6 (BB) y cuatro arandelas planas M6 (CC) en cada pata.

Herramientas y tornillería utilizadas




AA	Perno M6 x 12 mm		x 8
BB	Tuerca M6		x 8
CC	Arandela plana M6		x 8



INSTRUCCIONES DE ENSAMBLAJE

3. Antes de colocar las patas traseras, inserte los pasantes del estante inferior (O) en los orificios ubicados en las cuatro patas. Con el estante inferior (O) colocado firmemente en su lugar, fije la pata trasera izquierda (M) y la pata trasera derecha (S) utilizando cuatro pernos M6 x 12 (AA), cuatro tuercas M6 (BB) y cuatro arandelas planas M6 (CC) en cada pata.

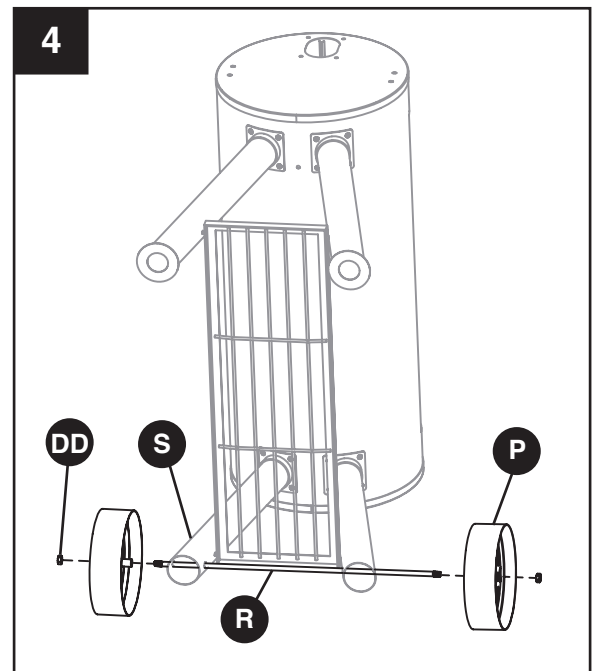
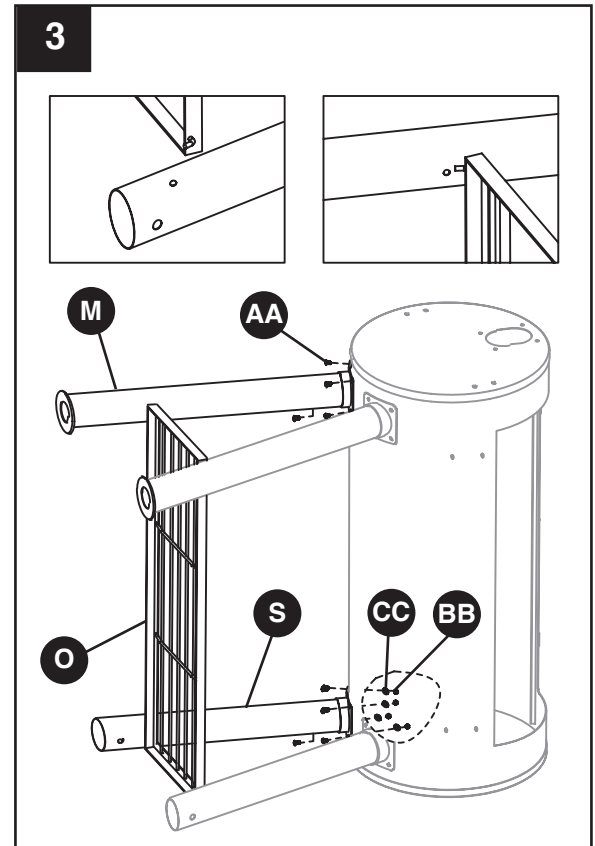
Herramientas y tornillería utilizadas

AA	Perno M6 x 12 mm		x 8
BB	Tuerca M6		x 8
CC	Arandela plana M6		x 8

4. Inserte el eje de las ruedas (R) en los orificios de la pata frontal derecha y la pata trasera derecha (S) y fije las ruedas izquierda y derecha (P) utilizando una tuerca M12 (DD) en cada lado.

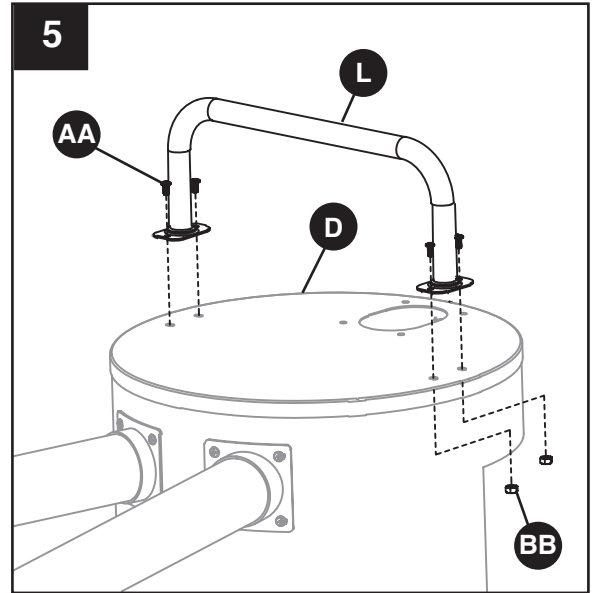
Herramientas y tornillería utilizadas

DD	Tuerca M12		x 2
-----------	------------	---	-----





INSTRUCCIONES DE ENSAMBLAJE

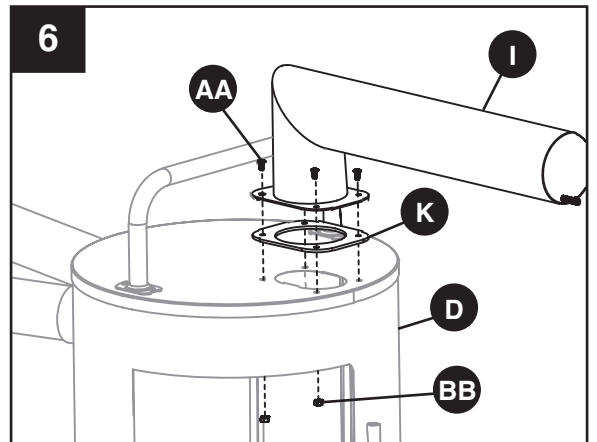
5. Instale la manija lateral (L) en el lado izquierdo de la estructura de la parrilla (D) utilizando cuatro pernos M6 x 12 (AA) y cuatro tuercas M6 (BB).





Herramientas y tornillería utilizadas

AA	Perno M6 x 12 mm		x 4
BB	Tuerca M6		x 4

6. Coloque la junta de la chimenea (K) entre la estructura de la parrilla (D) y la chimenea (I), y fíjela utilizando cuatro pernos M6 x 12 (AA) y cuatro tuercas M6 (BB).

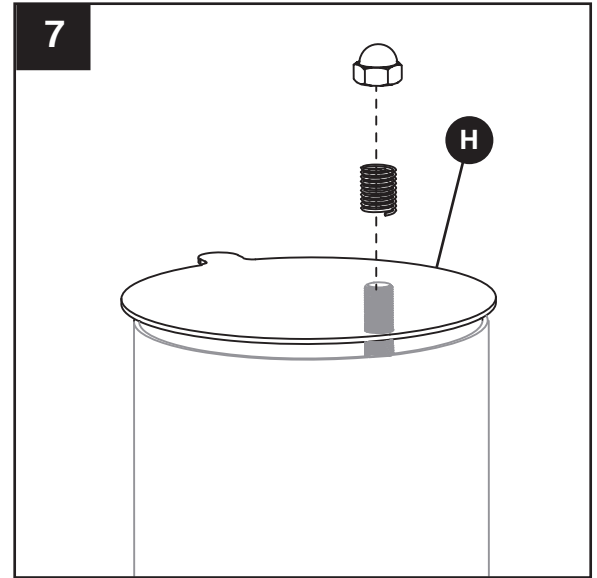


Herramientas y tornillería utilizadas

AA	Perno M6 x 12 mm		x 4
BB	Tuerca M6		x 4

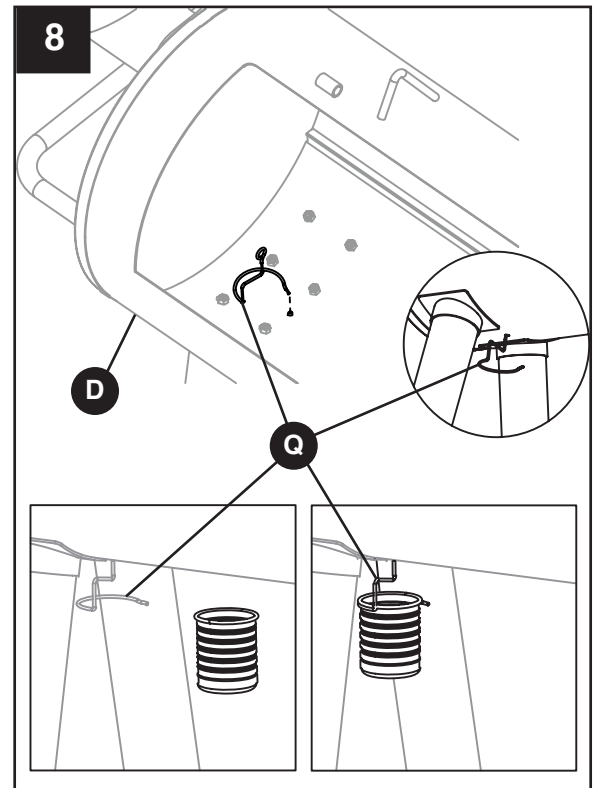
INSTRUCCIONES DE ENSAMBLAJE

7. Coloque el regulador de tiro de la chimenea (H) utilizando el resorte y la tuerca preinstalados.



8. Inserte el extremo del soporte de la grasera (Q) en el orificio ubicado en la parte inferior de la estructura del ahumador (D). Enrosque el soporte en el orificio hasta que quede colgando como se muestra.



Nota: Esta parrilla no incluye un contenedor para recolectar grasa o líquidos del interior de la estructura del ahumador. Utilice una lata de aluminio desechada de un diámetro mínimo de 2 1/4" (58 mm) y deslice el extremo superior de la lata en el soporte de la grasera (I), como se muestra. Consulte la página 39 para saber cómo desechar la lata luego del uso.

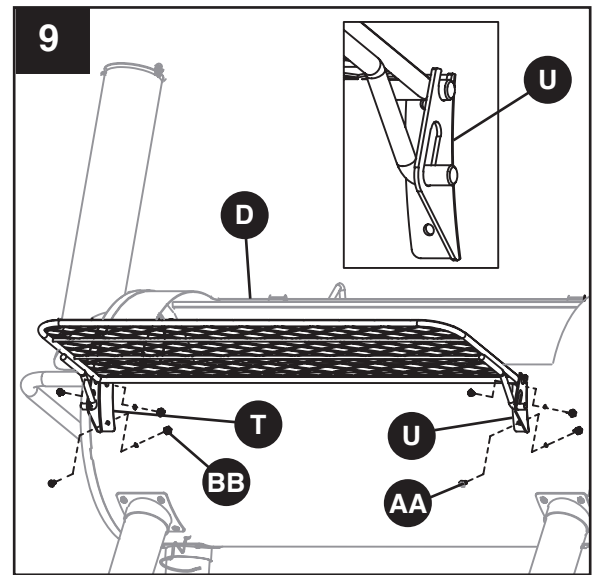


INSTRUCCIONES DE ENSAMBLAJE

9. Fije la abrazadera derecha del estante (U) a la estructura de la parrilla (D) utilizando dos pernos M6 x 12 (AA) y dos tuercas M6 (BB), e inserte el soporte del estante en la abrazadera, como se muestra. Inserte los soportes del estante en la abrazadera izquierda del estante (T), antes de fijar la abrazadera con dos pernos M6 x 12 (AA) y dos tuercas M6 (BB).

Herramientas y tornillería utilizadas

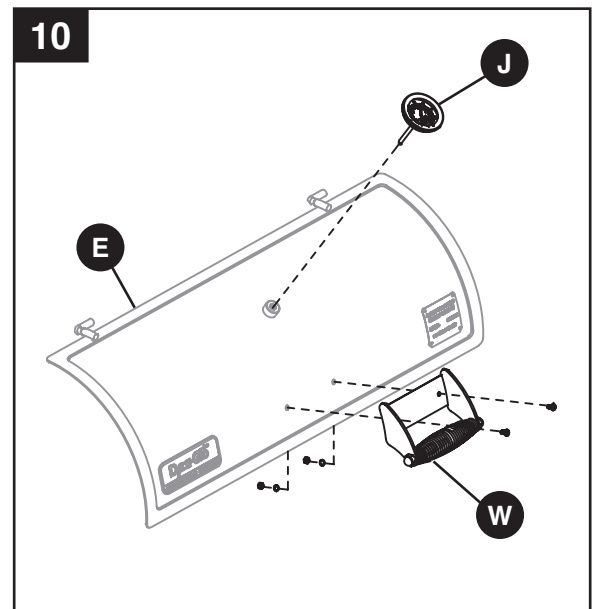
AA	Perno M6 x 12 mm		× 4
BB	Tuerca M6		× 4



10. Coloque el indicador de temperatura (J) insertando la sonda térmica en el orificio roscado de la tapa (E) y girando en el sentido de las agujas del reloj. No quite la tuerca preinstalada antes de colocar el indicador de temperatura.

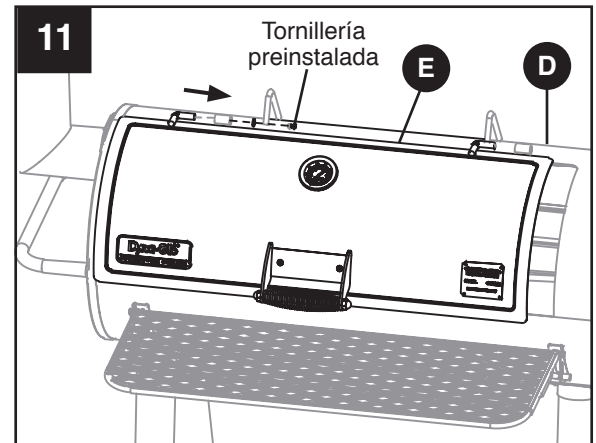
NOTA: La alineación del indicador de temperatura se puede ajustar girando la tuerca preinstalada en el sentido de las agujas del reloj (o en sentido contrario) antes de instalar.

Instale la manija de la tapa (W) en la tapa (E) utilizando los pernos, las tuercas y las arandelas planas preinstalados.



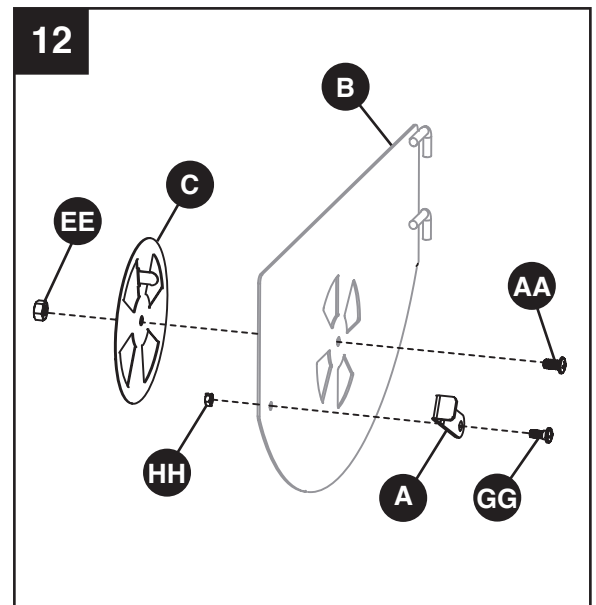
INSTRUCCIONES DE ENSAMBLAJE

11. Fije el conjunto de la tapa (E) a las bisagras de la estructura de la parrilla (D) utilizando el perno y la arandela preinstalados.



12. Fije el plato regulador de tiro lateral (C) a la parte interior de la puerta de acceso (B) utilizando un perno M6 x 12 (AA) y una contratuerca M6 (EE).

Fije el cerrojo de la puerta (A) a la parte exterior de la puerta de acceso (B) utilizando un perno M5 x 12 (GG) y una tuerca M5 (HH).



Herramientas y tornillería utilizadas


AA	Perno M6 x 12 mm		x 1
EE	Contratuerca M6		x 1
GG	Perno M5 x 12 mm		x 1
HH	Tuerca M5		x 1

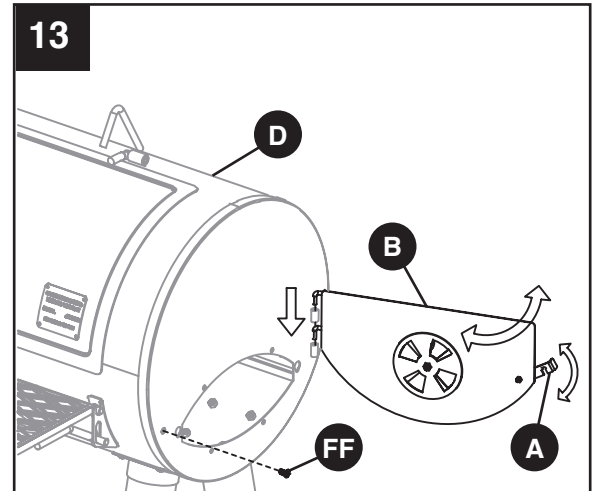
INSTRUCCIONES DE ENSAMBLAJE

13. Atornille un perno de tope M6 x 14 (FF) en la estructura de la parrilla (D). Fije la puerta de acceso (B) a la estructura de la parrilla (D) deslizando las varillas de la bisagra dentro de las aberturas de la bisagra en la estructura de la parrilla (D).

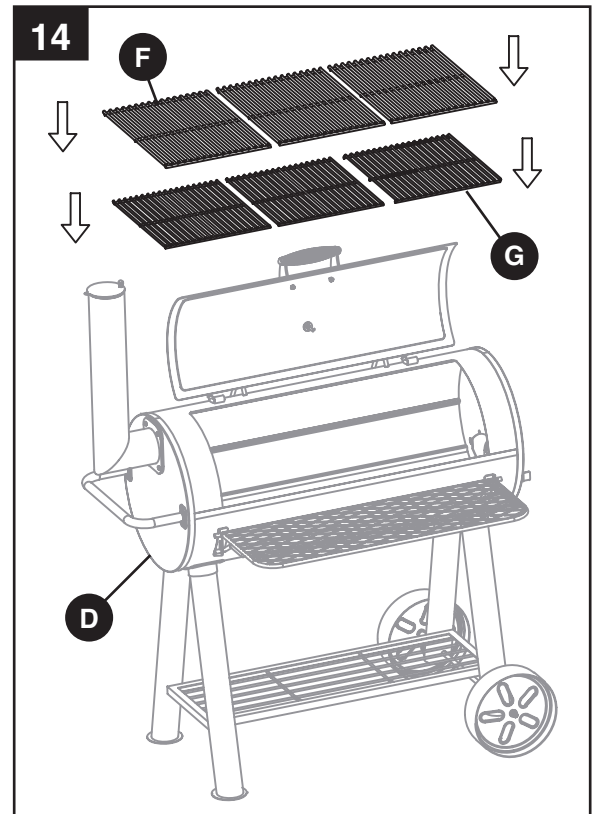
Cierre el cerrojo de la puerta de acceso (B) haciendo girar el cerrojo de la puerta (A) en el perno M6 x 14 de la estructura de la parrilla (D).

Herramientas y tornillería utilizadas

FF Perno M6 x 12 mm  × 1



14. Coloque las rejillas para carbón (G) en los carriles de soporte inferiores dentro de la estructura de la parrilla (D). Coloque las rejillas para cocinar (F) en los carriles de soporte superiores dentro de la estructura de la parrilla (D).



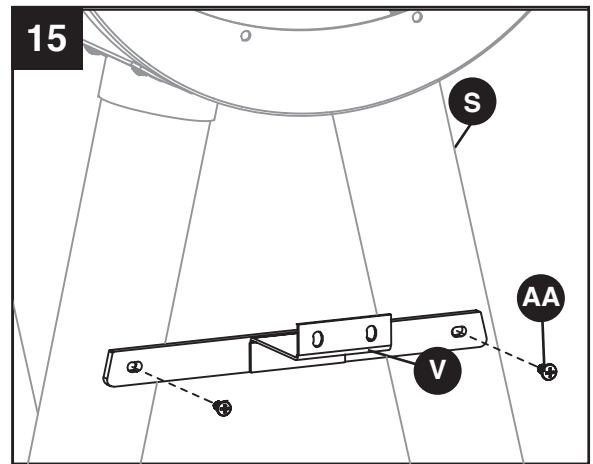
INSTRUCCIONES DE ENSAMBLAJE

15. Fije la abrazadera de soporte del conjunto lateral (V) a la pata frontal derecha y la pata trasera derecha (S) utilizando dos pernos M6 x 12 (AA).

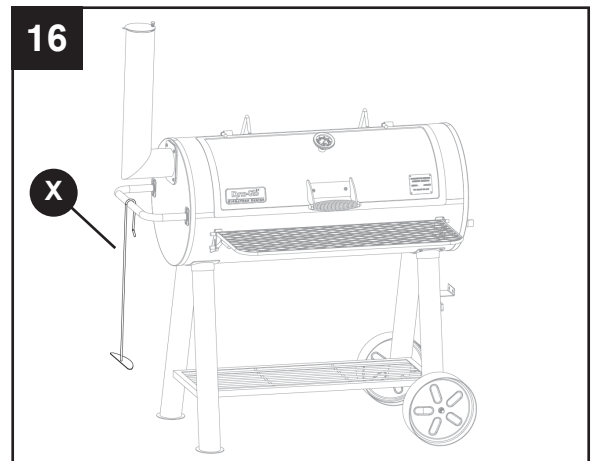
Nota: Esta abrazadera se utiliza para sostener el ahumador Dyna-Glo modelo DGSS287CB-D (se vende por separado).

Herramientas y tornillería utilizadas

AA Perno M6 x 12 mm  x 2



16. Guarde la pala para retirar cenizas (X) en la manija lateral, cuando no esté en uso.



INSTRUCCIONES DE FUNCIONAMIENTO

ANTES DE UTILIZAR LA UNIDAD POR PRIMERA VEZ

Quite todas las presillas o las fajas de plástico, si están presentes.

Es importante "curar" la parrilla antes de cocinar alimentos. Este proceso sella la pintura y el interior del ahumador para mejorar el sabor, la durabilidad y el rendimiento en general. Para curar la parrilla, simplemente utilícela como lo haría normalmente, pero sin agregar alimentos. Deberá seguir los procedimientos de encendido y funcionamiento de las secciones siguientes de este manual.

Cómo curar la parrilla

Utilizando la cantidad de carbón recomendada (que figura debajo), haga funcionar la parrilla durante 30 a 45 minutos como mínimo.

Instrucciones de encendido

Comience con al menos 4 lb (1,8 kg) de carbón (75 briquetas estándar).

Realice los ajustes necesarios cuando cocina en climas fríos, cuando hay mucho viento y/o cuando hay una cantidad considerable de precipitaciones.

Paso 1

Nota: Consulte la cantidad de líquido para encender carbón recomendada por el fabricante antes de aplicar el líquido a las briquetas. Se puede agregar carbón a la parrilla quitando las rejillas para cocinar. Apile el carbón en el medio de la rejilla para carbón. Las briquetas deben estar apiladas muy juntas para que se quemen con la máxima eficiencia. Empape el carbón con la cantidad de líquido para encender carbón recomendada por el fabricante del líquido. Luego de empapar el carbón, coloque el líquido para encender carbón a una distancia segura de la parrilla. Deje que el líquido penetre en el carbón durante 3 minutos antes de encender.

Paso 2

Con la tapa abierta, aléjese de la unidad, encienda cuidadosamente el carbón y deje que se queme hasta que quede cubierto de ceniza encendida (aproximadamente 20-25 minutos). Antes de cerrar la tapa, debe dejar que el líquido para encender carbón se haya quemado completamente. (Si las dos tapas se cierran, el humo tenderá a acumularse en ambas cámaras de combustión).

Paso 3

Después de 20 a 25 minutos, el carbón estará listo para asar. Utilice guantes termorresistentes o manoplas para horno al colocar nuevamente las rejillas para cocinar en la parrilla.

⚠ ADVERTENCIA: Tenga precaución para evitar que se genere una llamarada cuando el aire fresco entre en contacto con el fuego. Al abrir la puerta, mantenga las manos, el rostro y el cuerpo a una distancia prudente del vapor caliente y las llamas.

⚠ ADVERTENCIA: Nunca agregue líquido para encender carbón a las brasas calientes, ni siquiera a las brasas templadas, porque el retroceso de la llama podría causar quemaduras graves.

Permita que las cenizas se enfríen completamente antes de volver a utilizar o limpiar la parrilla o el ahumador.

CUIDADO Y MANTENIMIENTO

SEGURIDAD Y MANTENIMIENTO DESPUÉS DEL USO

ADVERTENCIA

- Tenga precaución al levantar y mover la unidad para evitar lesiones por esfuerzo. Se recomienda levantar o mover la unidad entre dos personas.
- **NO** guarde la unidad cerca de gasolina u otros líquidos combustibles o donde podría haber vapores combustibles. Asegúrese de que no haya materiales ni vapores combustibles en el área donde se encuentra el artefacto.
- **NO** guarde este artefacto en un área a la que podrían acceder niños o mascotas. Guarde el artefacto en un lugar seco y protegido.
- **NO** deje que nadie realice actividades cerca del artefacto después de haberlo utilizado sin que se haya enfriado. Se calienta durante el uso y permanece caliente por un tiempo después del uso.
- **NO** deje desatendidas las cenizas calientes hasta que el artefacto se enfríe completamente.
- La parrilla se calienta mucho; deje que se enfríe completamente antes de manipularla. Deje que la parrilla se enfríe antes de extraer y limpiar la grasera.
- Deseche las cenizas **frías** envolviéndolas en una hoja de aluminio resistente y colocándolas en un contenedor no combustible.
- Si debe desechar las cenizas antes de que estén completamente frías, quite las cenizas utilizando guantes termorresistentes y una pala para cenizas Dyna Glo (si la unidad está equipada con una), pinza de metal o pala para hogar. Coloque las cenizas en una hoja de aluminio. Moje las cenizas por completo con agua antes de desecharlas en un contenedor no combustible.

 **PRECAUCIÓN: Todos los procedimientos de cuidado y mantenimiento se realizarán con la unidad completamente fría.**

Limpie las rejillas para cocinar con agua caliente y jabonosa. Enjuague y seque bien. Si lo desea, puede cubrir las rejillas para cocinar con una pequeña capa de aceite comestible líquido o en aerosol.

Para limpiar el interior y el exterior de la estructura de la parrilla, utilice solo un paño húmedo. No es recomendable realizar un lavado por aspersión con manguera. Se debe secar la humedad y asegurarse de que el interior y la parte superior de la unidad no queden húmedos. Luego de la limpieza, si lo desea, puede cubrir el interior de la estructura de la parrilla con una pequeña capa de aceite comestible líquido o en aerosol.

Si hay óxido en la superficie exterior de la unidad, limpie el área con lana de acero o tela de esmeril y utilice una pintura sólida resistente al calor.

NUNCA aplique pintura adicional en el interior de la unidad. Si hay óxido en el interior de la parrilla, límpielo bien con una estopa metálica o tela de esmeril y cubra el área con una pequeña capa de aceite comestible líquido o en aerosol para minimizar la posibilidad de que se vuelva a oxidar.

Para proteger la unidad de las condiciones climáticas, manténgala siempre cubierta cuando no esté en uso.

GARANTÍA

Esta parrilla a carbón está garantizada contra piezas rotas o dañadas en el momento de la compra. Todas las piezas tienen una garantía limitada por un (1) año. La pintura tiene una garantía contra defectos por 90 días, a excepción del óxido, que podría aparecer después de varios usos.

Esta garantía no cubre los daños o problemas relacionados con negligencia, uso indebido o modificaciones realizadas al artefacto. El trabajo de reparación no está cubierto.

Todas las piezas que cumplan con los requisitos de la garantía serán enviadas sin cargo a través de un medio seleccionado por GHP Group Inc. (envíos terrestres, correo de EE. UU. o servicio de encomiendas ÚNICAMENTE). Los cargos de entrega especial (es decir, entrega de segundo día, antes del mediodía, etc.) serán responsabilidad del consumidor.

Todos los reclamos bajo la garantía solo se aplican al comprador original y requieren una prueba de la compra que verifique la fecha de compra. No devuelva piezas a la dirección de GHP sin antes obtener el número de autorización de devolución emitido por nuestro servicio al cliente. Este servicio está disponible a través del número gratuito 1-877-447-4768, de lunes a viernes de 8:00 a 16:30 (hora central estándar).

Algunos estados no permiten la exclusión o limitación de daños incidentales o daños indirectos por el tiempo que dura una garantía implícita. Por lo tanto, es posible que las limitaciones o exclusiones mencionadas no se apliquen en su caso. Esta garantía otorga derechos legales específicos, y podría haber otros derechos aplicables según el estado.

GHP Group Inc.
6440 W. Howard Street
Niles, IL, EE. UU.
60714-3302

Nombre del artículo: Resistente parrilla de tambor a carbón
N.º de modelo: DGSS675CB/DGSS675CB-D

LISTA DE PIEZAS DE REPUESTO

Para obtener piezas de repuesto, llame a nuestro Departamento de Atención al Cliente al 1-877-447-4768, de lunes a viernes de 8:00 a 16:30 (hora central estándar), o escriba a customerservice@ghpgroupinc.com.

PIEZA	DESCRIPCIÓN	N.º DE PIEZA
1	Cerrojo de la puerta de acceso lateral	70-01-592
2	Puerta de acceso lateral	70-01-594
3	Plato regulador de tiro lateral	70-01-593
4	Estructura de la parrilla (sin conjunto de la tapa)	70-01-604
5	Conjunto de la tapa (sin placa Dyna Glo ni indicador de temperatura)	70-01-601
6	Rejilla para cocinar (1 pieza)	70-01-599
7	Rejilla para carbón (1 pieza)	70-01-547
8	Regulador de tiro de la chimenea	70-01-522
9	Chimenea	70-01-548
10	Indicador de temperatura	70-01-518
11	Junta de la chimenea	70-01-549
12	Manija lateral - Estructura de la parrilla	70-01-550
13	Patatas izquierdas - Frontales/ traseras (1 pieza)	70-01-551

PIEZA	DESCRIPCIÓN	N.º DE PIEZA
14	Estante frontal	70-01-602
15	Estante inferior	70-01-603
16	Rueda - Izquierda/ derecha (1 pieza)	70-01-516
17	Soporte de la grasera	70-01-554
18	Eje de las ruedas	70-01-513
19	Patatas derechas - Frontales/ traseras (1 pieza)	70-01-555
20	Abrazadera del estante frontal - Izquierda	70-01-559
21	Abrazadera del estante frontal - Derecha	70-01-566
22	Abrazadera de soporte del conjunto lateral	70-01-556
23	Manija de la tapa	70-01-584
24	Placa Dyna Glo	70-01-562
25	Pala para retirar cenizas	70-01-987
n/a	Manual de instrucciones	70-10-585
n/a	Paquete de herramientas y tornillería	70-09-520

LISTA DE PIEZAS DE REPUESTO

