

TJ1

1,000 lb Capacity Trailer Jack

Assembly & Operating Instructions



READ ALL INSTRUCTIONS AND WARNINGS BEFORE USING THIS PRODUCT.

This manual provides important information on proper operation & maintenance. Every effort has been made to ensure the accuracy of this manual. These instructions are not meant to cover every possible condition and situation that may occur. **We reserve the right to change this product at any time without prior notice.**

IF THERE IS ANY QUESTION ABOUT A CONDITION BEING SAFE OR UNSAFE, DO NOT OPERATE THIS PRODUCT!

HAVE QUESTIONS OR PROBLEMS? DO NOT RETURN THIS PRODUCT TO THE RETAILER - CONTACT CUSTOMER SERVICE.

If you experience a problem or need parts, visit our website <http://www.sportsmanseriesbrand.com> or call our customer help line at **1-888-287-6981**, Monday-Friday, 8 AM - 4 PM Central Time. A copy of the sales receipt is required.

FOR CONSUMER USE ONLY - NOT FOR PROFESSIONAL USE.

KEEP THIS MANUAL, SALES RECEIPT & APPLICABLE WARRANTY FOR FUTURE REFERENCE.

COMMON SENSE AND CAUTION ARE FACTORS WHICH CANNOT BE BUILT INTO ANY PRODUCT. THESE FACTORS MUST BE SUPPLIED BY THE OPERATOR. PLEASE REMEMBER:

1. When using electric tools, machines or equipment, basic safety precautions should always be followed to reduce the risk of fire, electric shock, and personal injury.
2. Keep work area clean. Cluttered areas invite injuries.
3. Consider work area conditions. Do not use machines or power tools in damp, wet, or poorly lit locations. Do not expose equipment to rain. Keep work area well lit. Do not use tools in the presence of flammable gases or liquids.
4. Keep children away. All children should be kept away from the work area.
5. Guard against electric shock. Prevent body contact with grounded surfaces such as pipes, radiators, ranges, and refrigerator enclosures.
6. Stay alert. Never operate equipment if you are tired.
7. Do not operate the product if under the influence of alcohol or drugs. Read warning labels on prescriptions to determine if your judgment or reflexes might be impaired.
8. Do not wear loose clothing or jewelry as they can be caught in moving parts.
9. Wear restrictive hair covering to contain long hair.
10. Use eye and ear protection. Always wear:
 - ANSI approved chemical splash goggles when working with chemicals.
 - ANSI approved impact safety goggles at other times.
 - ANSI approved dust mask or respirator when working around metal, wood, and chemical dusts and mists.
 - A full face shield if you are producing metal or wood filings.
11. Keep proper footing and balance at all times.
12. Do not reach over or across running machines.
13. Always check that adjusting keys and wrenches are removed from the tool or machine work surface before plugging it in.
14. Do not carry any tool with your finger on either the start button or trigger.
15. When servicing, use only identical replacement parts.
16. Check for damaged parts. Before using any tool, any part that appears damaged should be carefully checked to determine that it will operate properly and perform its intended function.
17. Check for alignment and binding of all moving parts, broken parts or mounting fixtures and any other condition that may affect proper operation. Any part that is damaged should be properly repaired or replaced by a qualified technician.
18. Never force the tool or attachment to do the work of a larger industrial tool. It is designed to do the job better and more safely at the rate for which it was intended.

**IF THERE IS ANY QUESTION ABOUT A CONDITION BEING SAFE OR UNSAFE, DO NOT USE THE TOOL!
SAVE THE RECEIPT, WARRANTY AND THESE INSTRUCTIONS. IT IS IMPORTANT THAT YOU READ THE
ENTIRE MANUAL TO BECOME FAMILIAR WITH THIS PRODUCT BEFORE YOU BEGIN USING IT.**

Specifications

Purpose: Jack mounts to side of straight trailer tongue. Once connected to the trailer, the Trailer Jack makes hitching, unhitching, leveling, and moving the trailer a simple and safe procedure. The Trailer Jack can be used on heavy farm duty trailers as well as recreational boat trailers. The Trailer Jack is designed for permanent or semi-permanent attachment to the trailer tongue, and can be available for use wherever the trailer goes. The Trailer Jack comes with all needed assembly hardware.

Trailer Jack Capacity: 1,000 lbs. (Not including load supported by trailer wheels). Do not exceed this capacity.

Maximum Lift: 24"

Wheel Diameter: 5-5/8"; Wheel Width: 1-3/4"

Weight: 12.4 lbs.

Designed with a heavy duty worm gear with built-in gear box.

Unpacking

Carefully unpack the Trailer Jack and check all parts against the parts diagram and part number.
Do not discard any packing material until the Trailer Jack is fully assembled and operational.

Read and understand carefully the warnings and cautions described below as they pertain to the operation of the Trailer Jack:

1. Be aware that the user/installer of this product is solely responsible for the way the Trailer Jack is installed, operated and maintained, and is responsible for any and all consequences that occur, whether or not anticipated in these warning statements.
2. Never exceed the rated load capacity of 1000 lbs. for the Trailer Jack.
3. Never loosen, adjust, or take apart the Spring Plate or Press Plates while the Trailer Jack is supporting any weight.
4. Before each use, verify that the Spring Plate and Press Plates are securely attached to the trailer's tongue, and that all Bolts and Nuts are tight in good condition.
5. Always keep feet, arms, and legs out from under the trailer tongue while hitching, unhitching, or moving the trailer. Children should be kept at a safe distance, and should never be allowed to operate the Trailer Jack.
6. Always take precautions to prevent uncontrolled movement of the trailer when the Trailer Jack is being used.

Assembly

The Trailer Jack requires no assembly, but care must be taken to properly mount the Trailer Jack to the trailer.

1. If the Caster ever needs to be removed or assembled to the Trailer Jack, it can be done simply by removing the Nut, sliding out the bolt and taking out the Bushing before removing the Caster. To put on the caster, slide on the Bushing, place Caster in position in the Caster Frame and tighten using Bolt and Nut. Each time before using the Trailer Jack, check to make sure the Caster is securely on the Trailer Jack and that the Bolt and Nut are tightly in place.
2. Plan the location of the Trailer Jack. Examine both sides of the trailer tongue and choose the appropriate location for the jack, keeping in mind the mounting method, and the need to turn the Handle. The Trailer Jack is designed to be mounted on either side of the trailer tongue, and will swing back in either direction (Caster wheel forward or to the rear).
3. Before installing the Trailer Jack, properly support the tongue of the trailer so that it is high enough off the ground to provide clearance for the jack. Take precautions to insure the trailer is blocked and will not roll.
4. Position the Swing Plate on the side of the trailer's tongue in the desired mounting position. Position the two Press Plates on the opposite side of the tongue. Insert Bolts through the Press Plates and through the Swing Plate. Note: Use the hole positions on the Press Plates which will support your trailer tongue design. Install Spring Washers and Nuts. At this time, tighten Nuts only enough to hold the Trailer Jack in position for adjustment.
5. Inspect the position of the Trailer Jack. Check the alignment of the mount position, and tap lightly into alignment with a hammer of the mount position. Bolts should be at right angles to the mounting plates. There should be proper clearance of the trailer's tongue from the Caster Frame. Once it is determined that the Trailer Jack is properly positioned, tighten the Nuts evenly, increasing pressure by small increments on alternate Bolts so that the Swing Plate remain parallel. Nuts should be more than tight enough to fully compress the washers, but not tight enough to damage the threads. Turn the Handle both ways to make sure the Trailer Jack is functioning properly.
6. Before operating the Trailer Jack, lubricate the grease fitting on the upper portion of the Outer Tube. Use a good quality gear grease and insert the grease using a needle adapter on the grease gun. Lubricate periodically while the Trailer Jack is in use.

Operation

Unhitching

To use the Trailer Jack as an aid in unhitching the trailer, first make sure that the Trailer Jack is securely attached to the trailer tongue. Check out Bolt/Nut connection to make sure the Swing Plate assembly is properly connected to the trailer tongue. Take the necessary precautions against uncontrolled trailer movement, and loosen the trailer hitching mechanism. Turn the Handle clockwise to increase the height of the Trailer Jack until the tongue has been lifted from the hitch ball. Keep all body parts clear of the hitch, the tongue, and the area underneath the tongue.

Hitching

Trailer Jack Fits Up To 3" x 5" Trailer Frame. To use the Trailer Jack as an aid in hitching the trailer, maneuver the trailer so that the trailer's hitch is directly over the towing vehicle's hitch ball. Turn the Handle counterclockwise to lower the Trailer Jack, and lower the tongue hitch onto the hitch ball. Tighten the hitch retainer mechanism. Continue turning the Handle until the Trailer Jack is fully retracted. Pulling out the Clamp will allow the Trailer Jack to swing back to a position parallel to the trailer's tongue. With the Trailer Jack in this swing back position, align the holes and push in the Clamp to secure the Swing back position whenever the trailer is to be towed. Always keep all body parts clear of the hitch, the tongue, and the area underneath.

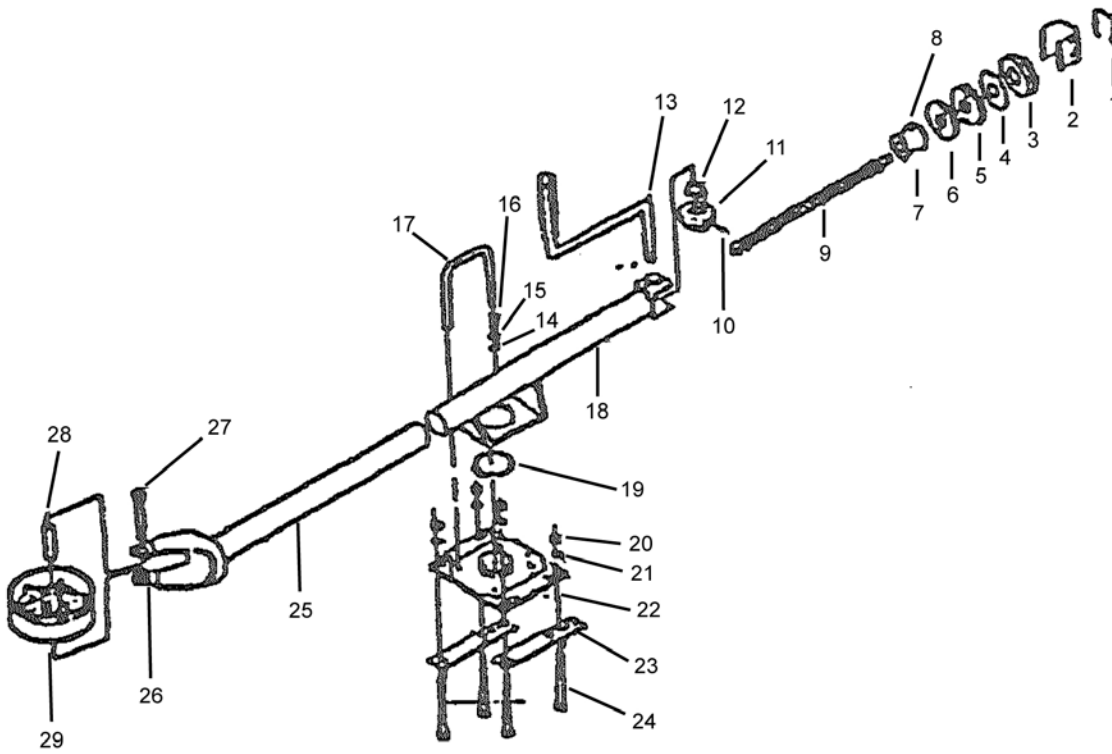
Leveling and Moving

In the unhitched mode, the trailer can be leveled or adjusted in pitch angle by turning the Crank Handle in either clockwise or counterclockwise direction to lengthen or shorten the Trailer Jack. In this mode, the trailer is a three wheeled vehicle that can be moved from one position to another, but only with suitable precautions against uncontrolled movement. If the trailer is to be stored in this mode, it is advised that the trailer wheels be properly blocked.

Towing

When the Trailer Jack is attached while the trailer is being towed, the Trailer Jack must be pivoted into the horizontal position described above in the section on Hitching.

Parts Diagram



Part #	Description	Qty	Part #	Description	Qty
1	Retaining Clip	1	17	Clamp	1
2	Gear Cover	1	18	Outer Tube	1
3	Gear #1	1	19	Snap Ring Clip	1
4	Plain Washer	1	20	Nut	4
5	Plain Bearing	1	21	Spring Washer	4
6	Thick Washer	1	22	Swing Plate	1
7	Worm Gear	1	23	Press Plate	2
8	Pin	1	24	Bolt	4
9	Screw Shaft	1	25	Caster Frame	1
10	Spring Pin	1	26	Nut	1
11	Gear #2	1	27	Bolt	1
12	Oil Bearing	1	28	Bushing	1
13	Handle	1	29	Caster	1
14	Clip	1			
15	Washer	1			
16	Spring	1			