

# Item # PS07424

## Electric Blower

### Assembly & Operating Instructions



**READ ALL INSTRUCTIONS AND WARNINGS BEFORE USING THIS PRODUCT.**

This manual provides important information on proper operation & maintenance. Every effort has been made to ensure the accuracy of this manual. These instructions are not meant to cover every possible condition and situation that may occur. We reserve the right to change this product at any time without prior notice.

**IF THERE IS ANY QUESTION ABOUT A CONDITION BEING SAFE OR UNSAFE, DO NOT OPERATE THIS PRODUCT!**

**HAVE QUESTIONS OR PROBLEMS? - CONTACT CUSTOMER SERVICE.**

If you experience a problem or need parts for this product, visit our website <http://www.buffalotools.com> or call our customer help line at 1-636-532-9888, Monday-Friday, 8 AM - 4 PM Central Time. A copy of the sales receipt is required.

**FOR CONSUMER USE ONLY – NOT FOR PROFESSIONAL USE.**

**KEEP THIS MANUAL, SALES RECEIPT & APPLICABLE WARRANTY FOR FUTURE REFERENCE.**

# IMPORTANT SAFETY INSTRUCTIONS

## WORK AREA

### **⚠ WARNING**

Keep your work area clean and well lit. Cluttered work benches and dark work areas may cause accidents or injury.

Do not operate power tools in explosive areas, such as in the presence of flammable liquids, gases or dust. Power tools create sparks which may ignite the dust or fumes.

Keep bystanders, children and visitors away while operating a power tool. Distractions can cause you to lose control.

## ELECTRICAL SAFETY

### **⚠ WARNING**

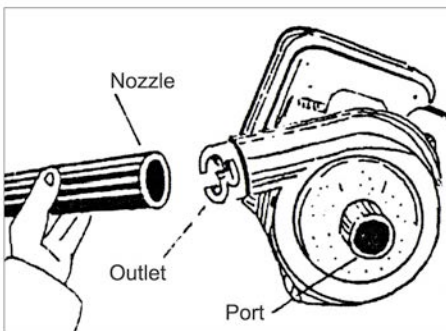
Double insulated tools are equipped with a polarized plug (one blade is wider than the other.) This plug will fit in a polarized outlet only one way. If the plug does not fit fully in the outlet, reverse the plug. If it still does not fit, contact a qualified electrician to install a polarized outlet. Do not change the plug in any way. Double insulation eliminates the need for the three wire grounded power cord and grounded power supply system.

Avoid body contact with grounded surfaces such as pipes, radiators, ranges and refrigerators. There is an increased risk of electric shock if your body is grounded.

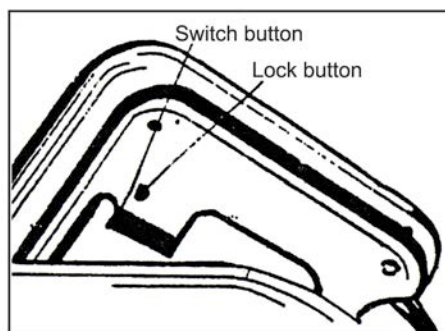
Do not abuse the cord. Never use the cord to carry the tool or pull the plug from an outlet. Keep the cord away from heat, oil, sharp edges, or moving parts. Replace damaged cords immediately. Damaged cords increase the risk of electric shock.

When operating the tool outside, use an outdoor extension cord marked "WA" or "W." These cords are rated for outdoor use and reduce the risk of electric shock. Make sure the extension cord being used is in good condition. If there are any cuts or nicks (no matter how deep) in the insulation, DO NOT use that cord. Also, make sure the extension cord is heavy enough to carry the current needed. DO NOT use small "around-the-house" lamp extension cords. These cords can easily overheat and/or catch fire when used with power tools.

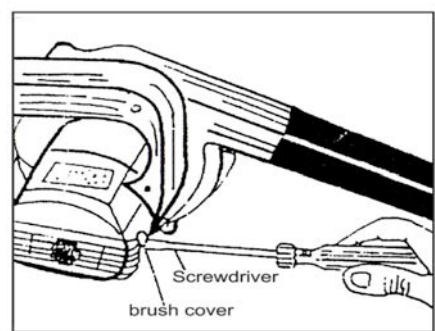
## ASSEMBLY



1. Attach the Nozzle to the Outlet. This will provide the necessary angle to the blower.



2. Locate the Power Trigger (Switch Button) and Lock Button. Use the Lock Button to provide locking to the ON/OFF power button.



3. Over time, the carbon brush may need to be replaced. Follow the diagram above to locate and replace the brush.

## TOOL USE & CARE

### CAUTION

**Do not use the tool if the power switch does not turn it “ON” or “OFF”.** Any tool that cannot be controlled with the switch is dangerous and must be repaired.

**Disconnect the power cord plug from the power source before making any adjustments, changing accessories or storing the tool.** Such preventive safety measures reduce the risk of starting the tool accidentally.

**Store idle tools out of reach of children and other untrained persons.** Tools are dangerous in the hands of untrained users.

### DANGER

**People with pacemakers or other electronic devices should consult with a physician before operating this product.** Interruption or failure of the pacemaker could occur when electrical equipment is operated within close proximity of electrical devices.

### WARNING

**Wash hands after handling the power cord.** Touching the power cord could expose you to lead, which is known in the State of California to cause cancer, birth defects and other reproductive harm.

### WARNING

**Do not operate power tools in the presence of flammable liquids, gas, or dust.** Sparks created from the power tool could ignite flammable materials.

### WARNING

**This power tool is equipped with a polarized plug, meaning one blade is wider than the other and is designed to fit into a standard polarized outlet.** The plug will fit into polarized outlets only one way. **DO NOT FORCE THE PLUG INTO THE OUTLET!** If the plug does not fit, a polarized outlet may need to be installed by a qualified electrician.

### WARNING

**Keep the power cord in good condition, and replace damaged cords immediately.** Do not use the cord to pull the plug from the outlet. Keep the cord away from materials and surfaces that could damage cords. The risk of electric shock increases when the power cord is damaged.

### WARNING

**Always use the appropriate extension cord, making sure it is rated for use with power tools.** Always be sure the extension cords are in good condition, free of cuts or nicks in the insulation. If using the power tool in an outside area with an extension cord, make sure the cord is rated for outdoor use.

### WARNING

**Do not make contact with a grounded surface while using this power tool.** Contact with surfaces like pipes, radiators or major appliances increases your risk of electric shock.

### WARNING

**Use common sense while operating this power tool.**

Do not use this tool if you are:

- Feeling tired or are under the influence of alcohol or drugs.
- Wearing loose clothing or jewelry. Keep long hair pulled back and away from moving parts.
- Overreaching or have improper footing. Handling the tool in this way could cause serious injury.

When using this power tool always:

- Wear the proper safety equipment, such as safety goggles, dust masks, non-skid shoes, etc.
- Check to be sure the power switch is in the “OFF” position before plugging the power tool into an electrical outlet.