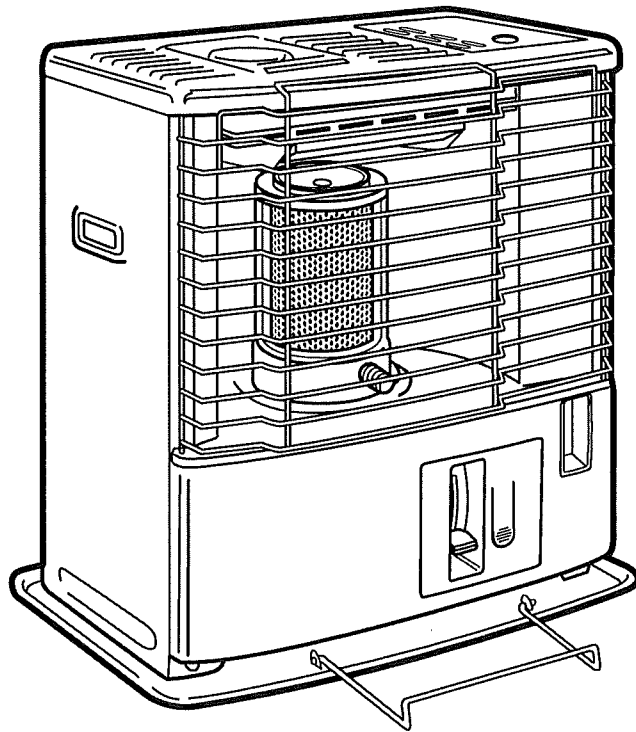


**RED
STONE**

KEROSENE HEATER OWNER'S

MANUAL



MODEL RS-110



877-GET-HEAT
877-438-4328
www.SengokuLA.com

**NEVER LEAVE THE HEATER
UNATTENDED WHILE BURNING!**

WARNINGS & CAUTIONS

1. WARNING:

FAILURE TO INSTALL, MAINTAIN, AND/OR OPERATE THIS KEROSENE HEATER ACCORDING TO MANUFACTURER'S INSTRUCTIONS MAY RESULT IN CONDITIONS WHICH CAN PRODUCE BODILY INJURY AND/OR PROPERTY DAMAGE.

NOTE: The **WARNING** and **IMPORTANT** Instructions appearing in this manual are not meant to cover all possible conditions and situations that may occur. It must be understood that common sense, caution, and carefulness are factors which cannot be built into this heater. These factors must be supplied by the person(s) installing, maintaining, or operating the kerosene heater.

Always contact your dealer, distributor, service agent, or the manufacturer on any problems or conditions you do not understand.

2. WARNING: RISK OF EXPLOSION

- * **NEVER** use any fuel other than clear or red dyed No. 1-K kerosene. **NEVER** use fuel such as gasoline, benzene, paint thinners or other oil compounds in this heater.
- * **NEVER** refill heater fuel tank when heater is operating or still hot.
- * **NEVER** use heater in areas where flammable vapors or gases may be present.
- * **NEVER** fill heater fuel tank in living space; fill tank outdoors.
- * **NEVER** store nor transport kerosene in other than a metal or plastic container that is (1) acceptable for kerosene, (2) non-red in color, and (3) clearly marked "Kerosene." **NEVER** store kerosene in the living space; kerosene should be stored in a well ventilated place outside the living area.
- * The unit is **EXTREMELY HOT** while in operation. Due to high surface temperatures, keep children, clothing, furniture, and other combustible objects at least 36" away from top and front area.
- * **RISK OF INDOOR AIR POLLUTION**
USE HEATER ONLY IN WELL VENTILATED AREAS. People with breathing problems should consult a physician before using the heater. In a house of typical construction, that is, one that is not of unusually tight construction due to heavy insulation and tight seals against air infiltration, an adequate supply of air for combustion and ventilation is provided through infiltration; however, if the heater is used in a small room where less

than 200 cubic feet (5.7 m³) of air space is provided for each 1,000 BTU per hour of heater rating (considering the maximum burner adjustment), the door(s) to adjacent room(s) should be kept open or the window to the outside should be opened at least 1 inch (25.4 mm) to guard against potential buildup of indoor air pollution. Do **NOT** use the heater in a bathroom or any other small room with the door closed.

- * **NEVER** use heater to heat or boil water nor use as a cooking appliance.

3. WARNING: RISK OF FIRE

NEVER use gasoline in this heater.

NEVER remove cartridge tank when heater is operating or when heater is hot. **NEVER** use this cartridge tank for transporting or storage of kerosene or any other flammable liquids.

- 4. **NEVER** leave heater operating if you intend to leave for any period of time. Always make sure to turn heater off and inspect to insure that it is completely extinguished prior to going to bed.

- 5. **NEVER** leave heater unattended. **NEVER** use as a source of heat for drying objects.

- 6. **NEVER** place objects on the top plate.

- 7. If poor quality kerosene is used, so much carbon will be accumulated on the upper part of the wick that it may not move down, a strong odor will be generated and shorter wick life will result; therefore, careful attention should be paid to the kerosene quality. When lowering the wick, make certain fire is out. (For details, see Extinguishing on page 9.)

- 8. Adjustment of room temperature, when the room becomes too hot, should be carried out by ventilation such as opening a window, but never by means of the wick adjuster knob. If heat is reduced excessively by means of the wick adjuster knob, it will cause imperfect combustion, thereby resulting in accumulation of carbon, and odor will be generated.

- 9. During normal operation, you will on occasion hear the sound of the fuel from the cartridge tank fill the fuel reservoir area. This sound is a normal characteristic of kerosene heaters that use a cartridge tank.

10. CAUTION: RISK OF BURNS

NEVER operate the heater without the guard or grille completely attached.

SAVE THESE INSTRUCTIONS

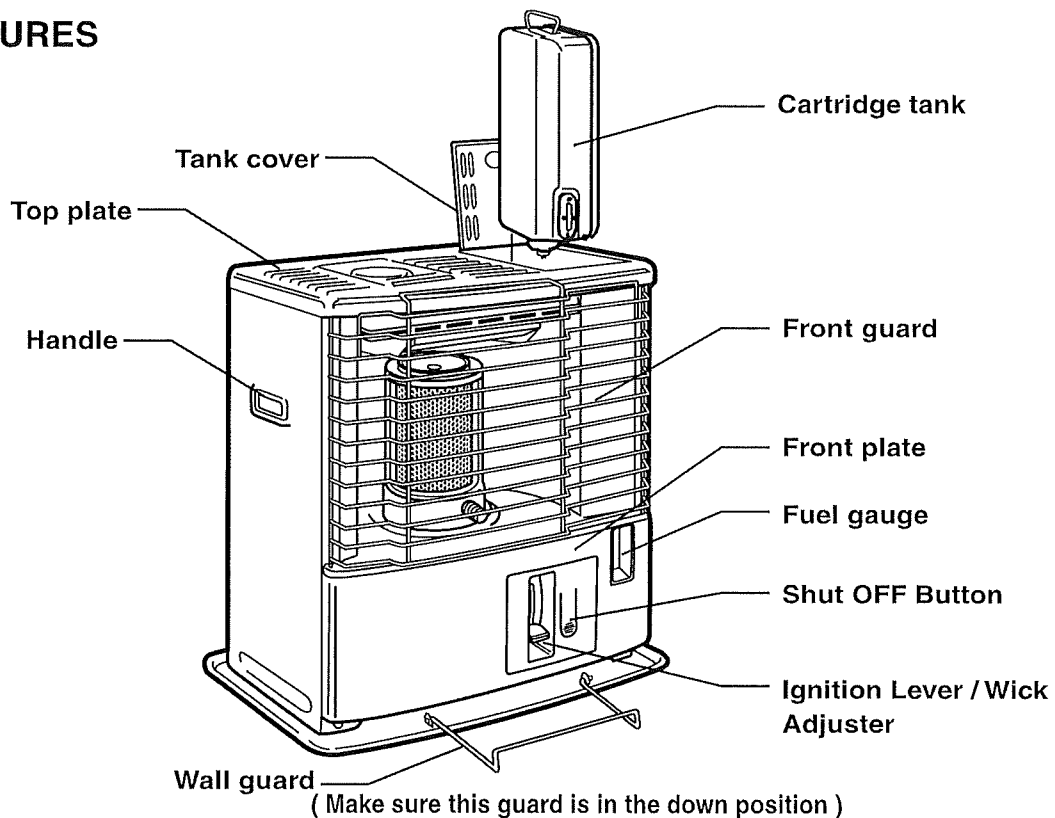
NEVER LEAVE THE HEATER UNATTENDED WHILE BURNING!

TABLE OF CONTENTS

	Page		Page
● CAUTIONS	1	● STORAGE OF KEROSENE	
● FEATURES	2	HEATER	12
● SPECIFICATIONS	2	● EXPLODED PARTS	
● PRECAUTIONS	3	DRAWING	14
● USAGE	5	● TROUBLE SHOOTING	
● DAILY CHECKS AND		GUIDE	15
MAINTENANCE	9		
● REPLACEMENT OF PARTS	11		

Please read this Instruction Manual carefully. It will show you how to assemble, maintain, and operate the heater safely and efficiently to obtain full benefit from its many built-in features.

FEATURES



SPECIFICATIONS

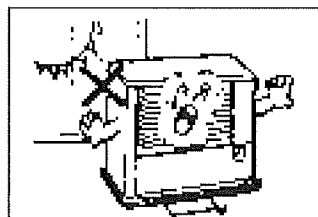
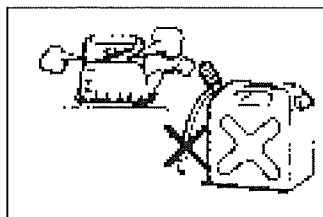
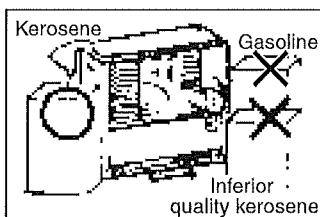
Model No.	RS-110		
Type of Heater	Radiant Reflection	Weight (empty)	20 lbs.
Heat Output	Max. 10,000 BTU/hr.	Dimensions	Height 19.7 inches
Fuel Tank	Cartridge		Width 18.5 inches
Tank Capacity	1.2 U.S. Gallon		Depth 12.2 inches
Continuous Combustion Time	14.5-16 hr.	Max. Wick Height	1/2 IN. (13 mm)
Max. Fuel Consumption	0.08 U.S. gallon/hr.	Wick No.	OS-65B
Ignition Method	Battery—C Cell x 4	CSA Certified	Yes

**NEVER LEAVE THE HEATER
UNATTENDED WHILE BURNING!**

PRECAUTIONS

1 FUEL

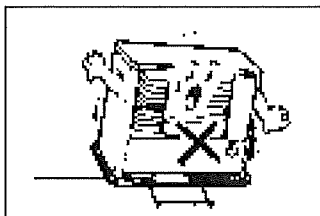
This kerosene heater is designed to operate with No. 1-K kerosene ONLY. The use of any other kerosene, liquids that are flammable or non-flammable is dangerous. Improper fuel may contaminate the unit, influence its performance and may be a RISK of explosion, fire or bodily injury.



2 PLACE FOR USE

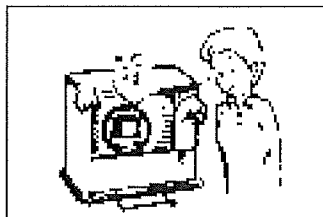
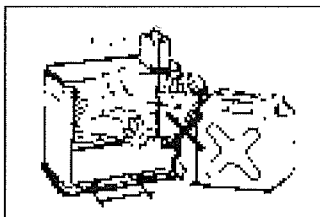
Use a kerosene heater in a level position only.

- Do not use it in a moving vehicle, a vibrating place, near a window curtain or near flammable objects.
- Do not use it under mantelpiece or any high raised area.
- Do not use it in a passage place such as entrance, exit or windy place.
- Do not use it in a room where the temperature is more than 86°F (30°C)



3 REFUELING

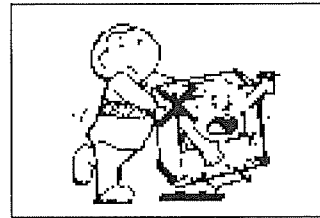
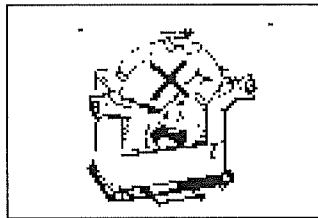
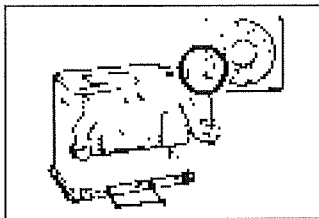
- Refuel after the kerosene heater is extinguished and cool to touch.
- It is dangerous to refuel while the heater is in operation or still hot.
- In case of spillage, wipe up immediately. Be sure to close the tank cap tightly. Ignite the wick about 60 minutes after fueling when using it for the first time. After "Carbon Removal"(Refer to Page10), let wick absorb kerosene for 60 minutes before reigniting.



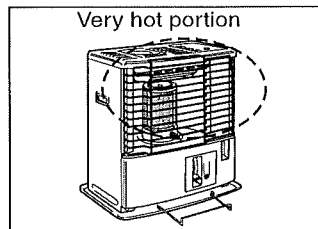
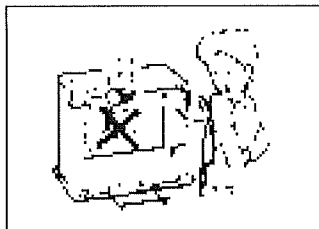
4 USAGE

Wick does not have low or medium flame but burns in one position with blue flame about 1/2 inch high. (Refer to Fig. 15, Page 9)

- Ignite the wick in correct order, and confirm the wick is burning normally. Raising the wick too high or lifting the burner causes abnormal burning and can be dangerous. Adjust the flame about 15 minutes after ignition in order to acquire correct combustion.
- Keep the room well ventilated. Do not use the kerosene heater in a place where flammable gases are generated or stored. Shortage of oxygen could cause improper combustion and generate carbon monoxide.
- Do not use the kerosene heater for drying clothes or other flammable objects.
- Do not carry the kerosene heater while the wick is burning - it may cause an accident.



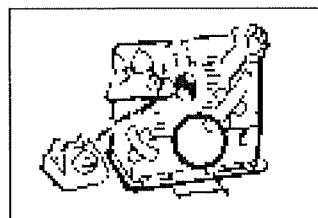
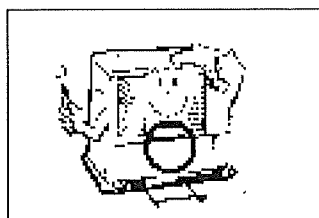
- If the kerosene heater is burning abnormally, push the shut off button. If the flame does not go out, use a fire extinguisher.
- **Before you go to bed or leave the room, extinguish the heater, then lift the burner and look at the wick to be sure fire is completely out.**
- Do not hit and/or turn over the kerosene heater when you extinguish the fire.
- Never touch any portion of top plate during combustion, because it is very hot.
- Never put a pan, a kettle or any other objects on the heater.
- Never sprinkle the glass cylinder with water.



5 DAILY CHECKS AND MAINTENANCE

Perform complete check and maintenance. (Details are described on page 9)

Remedy any problem immediately even if it is a minor one. It is dangerous to operate the kerosene heater when a problem exists.



**NEVER LEAVE THE HEATER
UNATTENDED WHILE BURNING!**

USAGE

1 PREPARATIONS

(A) Unpacking

- Remove the heater from the cardboard box. Remove all protections and packing materials. Remove the sticky tape from the protection grid and open it as described below:
 1. Push the front guard upwards.
 2. Pull the bottom of the front guard facing you.
 3. Pull the front guard downwards. Reverse the process to install the grid. Remove the packing material from the combustion cylinder. Open the lid of the fuel tank compartment and remove the packing materials.
- Make sure the wall guard is in the down position.

(B) Setting burner

Place the chimney assembly on the round wick guide. Turn the burner knob to the left and then half way to the right until the chimney assembly is correctly positioned on the round wick guide.

(C) Installing batteries (LR14 or Type C)

Place 4 batteries in the battery case at the rear of the heater. Make sure that you respect the polarities +/- as indicated in the drawing.

IMPORTANT: DANGER:

- Never remove the batteries while the heater is operating.

2 REFUELING

(A) Fuel to use

- (1) Use only clear or red colored **No. 1-K kerosene** for fuel. Do not use **GASOLINE** or **LIGHT OIL** or any other fuel except No. 1-K kerosene. Specific gravity of kerosene is about 0.8, and its ignition point is more than 104°F (40°C). To distinguish kerosene from others, take half a teaspoon of fuel and bring it close to a lit match. If the fuel has a low ignition point (such as gasoline or thinner), it will burn, but if it is pure kerosene (No. 1-K kerosene), it will not. (Fig. 4)

Kerosene in the USA is sometimes dyed red due to tax laws and the red dyed kerosene should be translucent (able to be seen through) and not cloudy.

- (2) If improper kerosene or deteriorated or impure kerosene is employed, within 3 to 20 hours the wick will be covered with excessive carbon. The following will take place and impair the kerosene heater:

- The burner will not get completely red, letting off the strong odor of incomplete combustion.
- It will become hard to ignite the wick and, even if it is ignited, the flame will die out soon.
- The upper and lower parts of wick will become stiffened so that the flame will not extinguish despite pushing the shut off button.

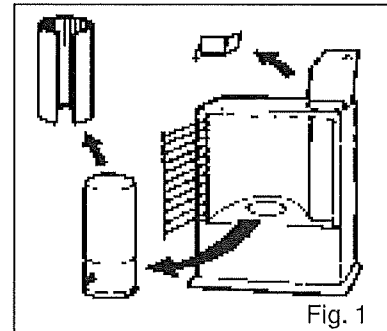


Fig. 1

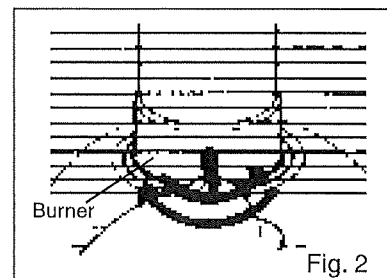


Fig. 2

Move from side to side

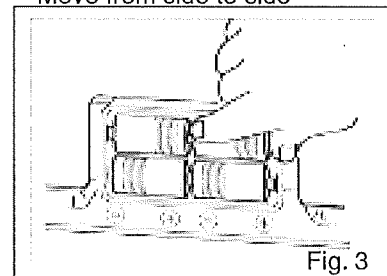


Fig. 3

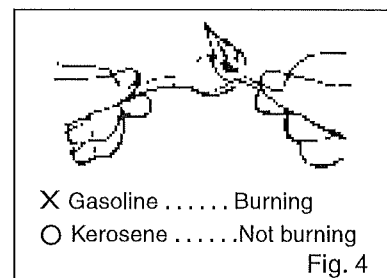
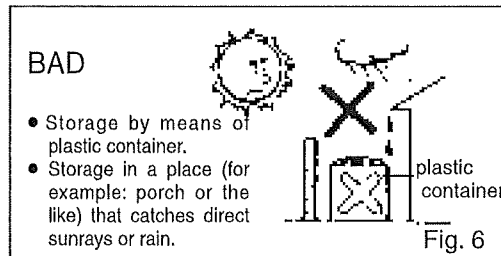
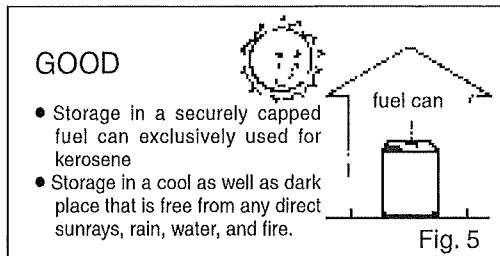


Fig. 4

(3) Improper kerosene

a) Deteriorated kerosene may be caused by the following:

- Kerosene kept over from the preceding season.
- Kerosene stored for a long period of time in a sunlit place.
- Kerosene stored for a long period of time in a place of high temperature.
- Kerosene mixed with other fuel oils such as diesel fuel, heating fuel oil or bad kerosene. In any of those cases, kerosene will easily deteriorate.



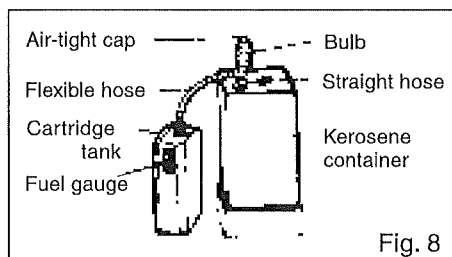
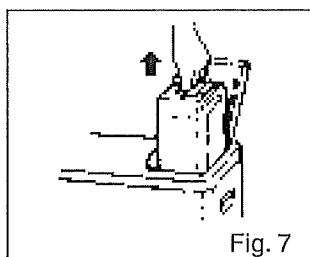
b) Impure kerosene

- Kerosene mixed with other kinds of oil such as cooking oil, machine oil, diesel fuel or other foreign fuels.
- Kerosene mixed with water or dirt.
- Kerosene mixed with anything else not recommended by manufacturer.
- Never use a container that has been used to store gasoline.
- Make sure the inside of can is free of rust.

(4) It is quite difficult to separate proper kerosene from deteriorated or impure kerosene, therefore care should be taken to distinguish good quality from BAD. Kerosene should not be kept over from the preceding season. Avoid using kerosene that is unreasonably low in price.

(B) Procedures and cautions for refueling

- (1) Be sure to extinguish the kerosene heater and let it become cool to the touch before refueling.
- (2) Do not remove the cartridge tank while heater is burning or it is still hot. (Fig. 7)
- (3) Use the enclosed siphon for refueling.
Procedures for using the siphon. (Fig. 8)
- (4) Refuel outdoor.

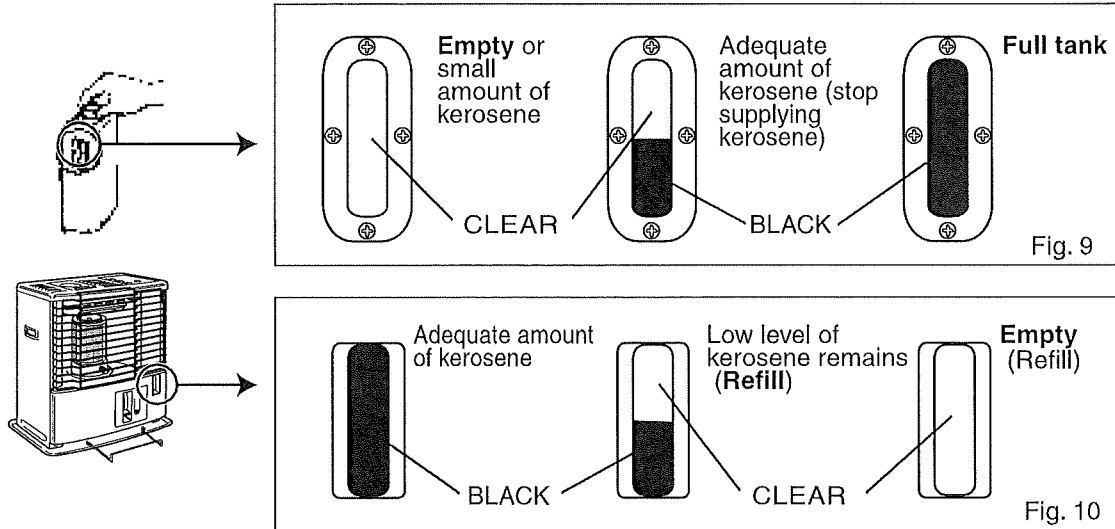


- (a) Tighten the air-tight cap located on the top of siphon.
 - (b) Insert the straight hose into the kerosene container.
 - (c) Insert the flexible hose through the opening of cartridge tank.
 - (d) Squeezing the bulb repeatedly, refuel by watching the fuel gauge.
 - (e) When the fuel level rises up to the center of fuel gauge, loosen the air-tight cap. (Fig. 9)
Allow siphon to drain before removing from tank and container.
- (5) Fasten the tank cap to the cartridge tank securely.
 - (6) Wipe up any spilled kerosene thoroughly.
 - (7) Please check that push pin (Refer to Page 14) is seated properly before replacing tank.
 - (8) Set the tank into the kerosene heater properly.
(If the cartridge tank is set improperly, the cover on cartridge tank will no shut.)
Do not drop the tank into the heater. When tank is replaced a gurgling sound will be heard signifying that fuel is being released into reservoir.

**NEVER LEAVE THE HEATER
UNATTENDED WHILE BURNING!**

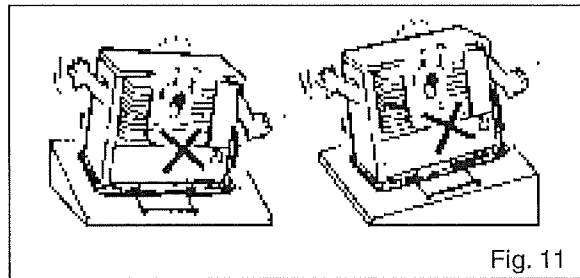
NOTE

- Extinguish the kerosene heater and refill the tank before the fuel reaches the bottom of the cartridge tank. (Fig. 10)



3 PREPARATION PRIOR TO IGNITION

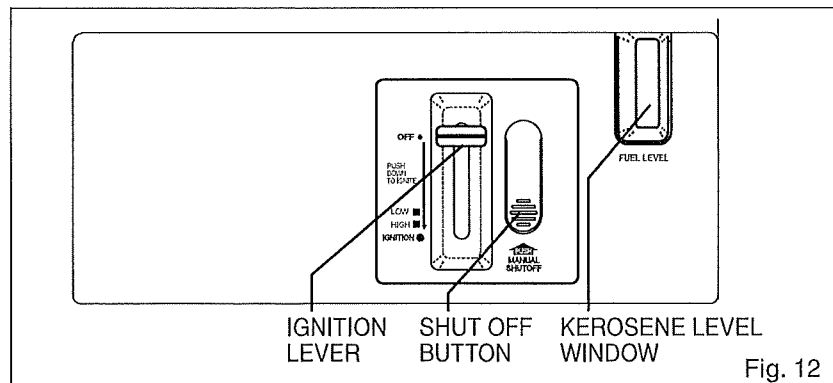
The kerosene heater should be used in a level position or improper combustion may result. When using it on a slanted floor or in an unstable position the automatic safety shut-off device may be activated.



4 IGNITION

Do not carry the heater while wick is burning. Wait for 60 minutes the first time the tank is filled to allow the wick to become saturated with kerosene before igniting the wick. If the wick is used before fully saturated with kerosene, the wick will be damaged permanently.

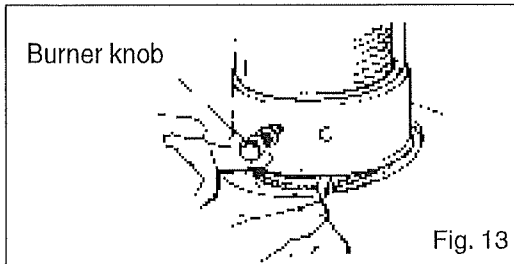
- (A) Strongly and fully press down the IGNITION LEVER to the end.
- (B) After confirming ignition, release the ignition lever. For confirmation of ignition, look in through the glass diagonally above the combustion cylinder.



(C) Ignition by a match

- A broken igniter wire or dead batteries should be replaced with new ones. When using matches, open the front guard and light as illustrated. (Fig. 13)
- Never leave a burnt match on the wick adjuster or horizontal reflector. Incomplete burning or fire may occur.

(D) After igniting the wick rotate the burner knob (spring) left and right a few times to ensure that the burner rests properly on the round wick guide. (Fig. 14)



NOTE

- During initial use, a slight odor may be noticed. This is caused by evaporation of anticorrosion oil and therefore not abnormal. This odor disappears after new burner has been used 3 to 4 hours.
- Wait 5 minutes before reigniting the heater if the automatic safety shut-off device was activated. Reigniting immediately after extinguishing will cause non-ignition, white smoke or strong odor. (**Caution:** the burner may still be hot.)

5 FLAME ADJUSTMENT

Combustion can be optimized within a range of 10% by adjusting the height of the flame.

To adjust the flame, adjust the ignition lever up which will lower the wick and in turn lower the flame.

If the ignition lever has been adjusted all the way up (wick height at minimum height) and the flame is still too high according to Fig. 15, shut off the heater and contact us at 877- Get HEAT (877-438-4328), or e-mail: getheat@sengokula.com. If you continue to use your heater with bad combustion, soot and/or Carbon Monoxide (CO) emissions will result.

If the flame on the burner is un-even, adjust the burner back and forth as described in IGNITION Section 4 (D), Page 8 of these instructions to even-out the flame.

Using fan or humidifier while operating your heater may cause the flame to become slightly pink. This is normal.

Never use the automatic ignition device when the heater is in use. When you lower the ignition lever to use the ignition device, you may be increasing the wick height and you may burn-out the wick.

NEVER LEAVE THE HEATER UNATTENDED WHILE BURNING!

WARNING: RISK OF INDOOR AIR POLLUTION AND FIRE
 Do not operate your heater at a wick setting lower than the minimum wick-stop setting. If the heater is used at lower than the low wick stop, it may cause the generation of odor or Carbon Monoxide.

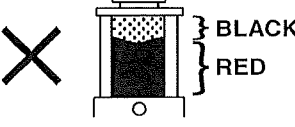
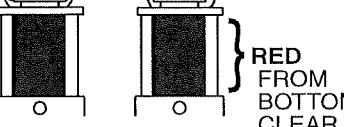
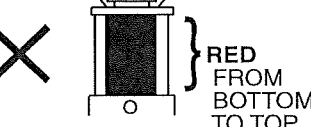
<p>BAD</p>  <p>● Flame too low ● Improper combustion results ● Produces odor fumes ● Reduces heat efficiency</p> <p>CURE: Raise the wick as high as it will go until burner metal inside the glass glows red from top to bottom.</p>	<p>GOOD BLUE FLAME</p>  <p>● Normal flame ● Perfect combustion</p> <p>PERFECT COMBUSTION AND MAXIMUM HEAT OUTPUT. Do not try to reduce heat or save kerosene by lowering the wick.</p>	<p>BAD</p>  <p>● Flame too high ● Improper combustion ● Produces odor ● Reduces heat efficiency</p> <p>CURE: Lower the wick slightly until the yellow flicker in the flame disappears and only blue flame remains.</p>
---	---	---

Fig. 15

6 EXTINGUISHING THE HEATER

To extinguish press the **SHUT OFF BUTTON**. The wick will descend for extinguishment and the **IGNITION LEVER** will move up to the "OFF" position (in the control panel).

NOTE

- It is possible that an excess accumulation of carbon and other deposits on the wick will prevent proper operation of the automatic shut-off device. Always make sure to visually check that the automatic shut-off device has operated properly.
- The automatic shut-off device may function if heater is given a shock by hitting or shaking.
- Never disassemble or adjust the automatic shut-off device. Otherwise it may not operate correctly in case of emergency.

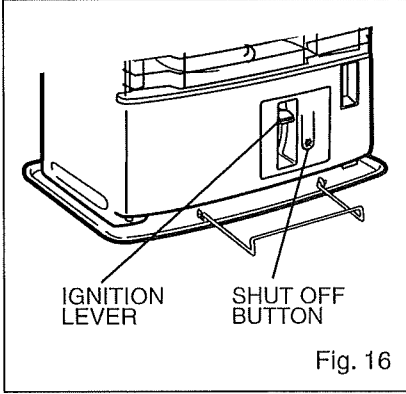


Fig. 16

DAILY CHECKS AND MAINTENANCE

Always keep kerosene heater clean. The reflector should be free of dust, film, grease, oil, etc. Using dirty kerosene heater is dangerous and also shortens the life of the kerosene heater.

NEVER TRY TO REPAIR THE FOLLOWING PARTS MENTIONED BELOW AT HOME.

- Fuel gauge Do not unfasten the screws to disassemble the fuel gauge from the tank.
- Tip-over device Do not disassemble the shock sensitive section of the tip-over extinguishing device, and do not allow kerosene to spill on this device.
- **Inspection of cartridge tank**
 Is there kerosene in base plate while using the kerosene heater?
 Is there rust or foreign matter in the tank?
 Are there any dents or cracks in the tank?
 If so, replace the tank with a new one.
- **Inspection of the wick**
 Inspect as often as possible to see if carbon has accumulated. When the carbon has accumulated, remove it by (-) screw driver after fully lowering the wick (Refer to "Wick Maintenance" on Page 10).

**NEVER LEAVE THE HEATER
UNATTENDED WHILE BURNING!**

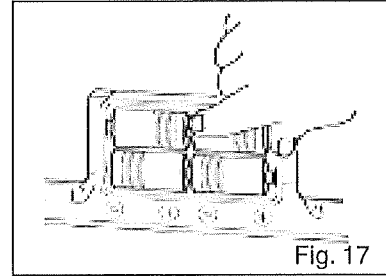
- **Checking batteries**

In the event of low battery voltage (when the Ignition plug is normal), the Ignition plug will not spark enough. In this case, replace batteries.

- **Check condition of wick (and how to replace, see Page 11.)**

Check the wick height — 1/2 inch (13mm) (see Step 19 of "Wick Replacement" and uniformity of the height).

Also check if carbon accumulates on the wick. If carbon accumulates, perform "Carbon Removal" as mentioned below.



IMPORTANT

- **WICK MAINTENANCE**

The top of a fiberglass wick accumulates carbon in the process of burning kerosene. This must be removed to maintain efficiency in burning and prevent sooting. It is very important that you feel for carbon hardness after second or third tankful of fuel. A wick in good condition will feel soft while one that is carbonized will feel like a bristle brush or, in late stages, top could be coated with hard black carbon.

Check for resistance when moving the wick adjuster; check if burner assembly is fully red; check if it is difficult to ignite. Any of these troubles result from carbon on the upper part of the wick.

To get rid of carbon, perform the "Carbon Removal" procedure described below.

- **CARBON REMOVAL / DRY BURN**

To perform the "Carbon Removal" take the unit outdoors, on a porch or the like because a strong odor is produced.

- (a) With the cartridge tank having only a small amount of kerosene, keep the wick burning without refilling kerosene even when the tank becomes empty. When flame starts to burn out, raise wick fully and leave it there until it burns out. Wait approximately 60 minutes, then relight wick (with match if necessary) and allow it to burn out again. When unit cools down remove any remaining ashes with an old toothbrush.
- (b) The upper part of the wick will be cleared of carbon and softened with this operation. However, if any parts are still left stiff, pinch them by means of small pliers to fracture carbon into pieces, supply a small amount of kerosene to tank and once again perform the "Carbon Removal". After carbon has been removed, refill the tank and wait 60 minutes before igniting the wick.
- (c) In addition, perform the "Carbon Removal" within 5 to 7 days after the first use of the kerosene heater, and carbon accumulation to the wick will be reduced. Thereafter perform the "Carbon Removal" every 5 or 6 tank fulls of kerosene. If any water gets into the cartridge tank or when the season for kerosene heaters comes to an end, completely remove all kerosene from the cartridge tank and sump the tank.

NOTE

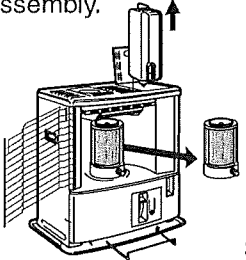
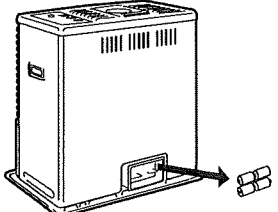
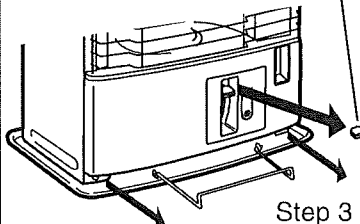
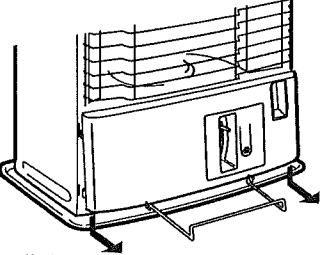
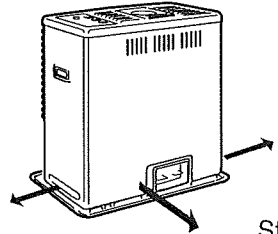
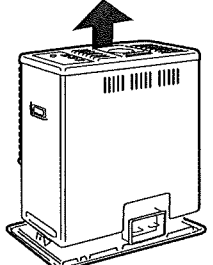
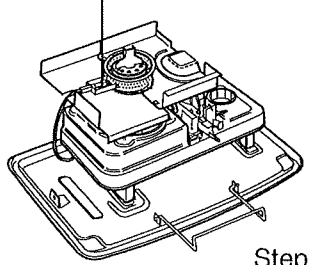
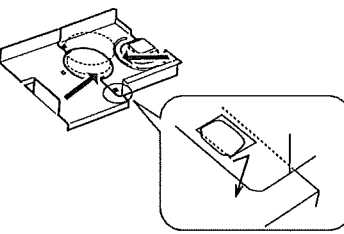
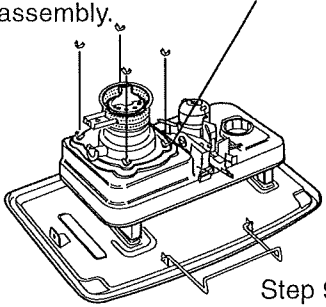
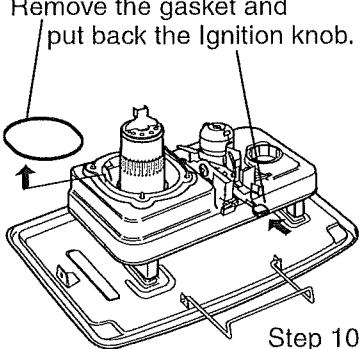
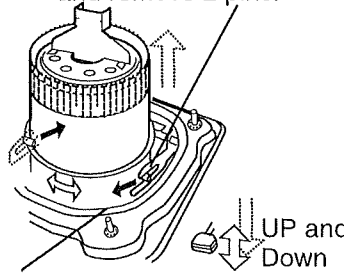
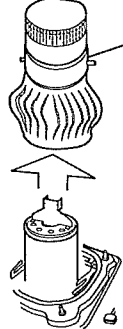
"CARBON REMOVAL" SHOULD BE DONE WEEKLY DURING THE HEATING SEASON UNLESS NEEDED MORE FREQUENTLY. CHECK TO BE SURE.

**NEVER LEAVE THE HEATER
UNATTENDED WHILE BURNING!**

REPLACEMENT OF PARTS

1 WICK REPLACEMENT

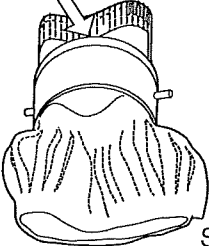
Wick replacement should be performed on a completely cooled heater after the cartridge tank has been removed and the remainder of the kerosene in the heater has been burned off.

<p>Remove the cartridge tank. Open the front guard and remove the chimney assembly.</p>  <p>Step 1</p>	<p>Remove the batteries.</p>  <p>Step 2</p>	<p>Pull out the ignition knob and unscrew the sides of the heater.</p>  <p>Step 3</p>
<p>Remove the panel.</p>  <p>Pull down</p> <p>Step 4</p>	<p>Unscrew the 3 body screws.</p>  <p>Step 5</p>	<p>Carefully lift off the body.</p>  <p>Step 6</p>
<p>Remove the screw and lift off the igniter.</p>  <p>Step 7</p>	<p>Separate the wind cover into 2 pieces.</p>  <p>Caution: The edge is very sharp.</p> <p>Step 8</p>	<p>Unscrew 4 wing nuts and remove the wick holder assembly.</p>  <p>Step 9</p>
<p>Remove the gasket and put back the Ignition knob.</p>  <p>Step 10</p>	<p>Press down the Ignition lever and remove 2 pins.</p>  <p>Very sharp.</p> <p>UP and Down</p> <p>Step 11</p>	<p>Remove the wick holder.</p>  <p>Step 12</p>

NEVER LEAVE THE HEATER UNATTENDED WHILE BURNING!

Remove the wick from the wick holder.

Push

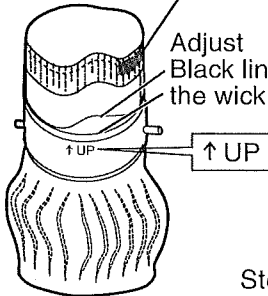


Step 13

Set the new wick to the wick holder. (Mesh → right side)

Adjust Black line to the wick holder

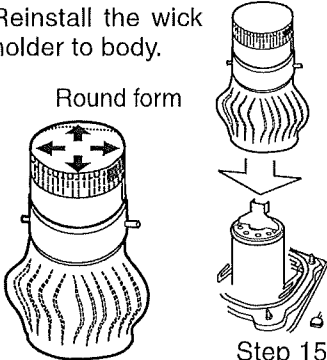
UP



Step 14

Reinstall the wick holder to body.

Round form

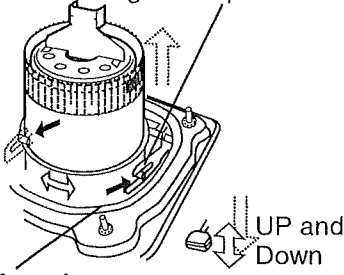


Step 15

Press down the Ignition lever and tighten 2 pins.

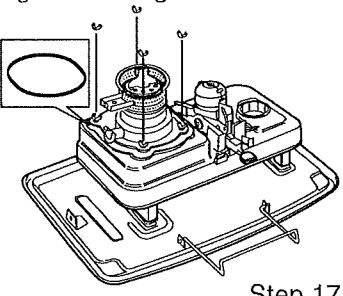
UP and Down

Very sharp.



Step 16

Install the assembly and tighten 4 wing nuts.

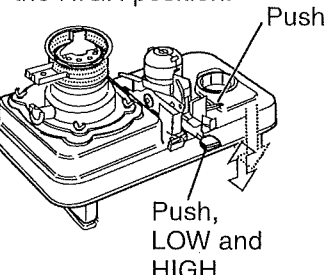


Step 17

Set the wick once to the HIGH position.

Push

Push, LOW and HIGH

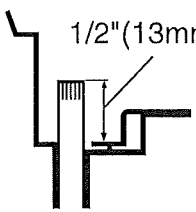


Step 18

Check the wick height.

1/2" (13mm)

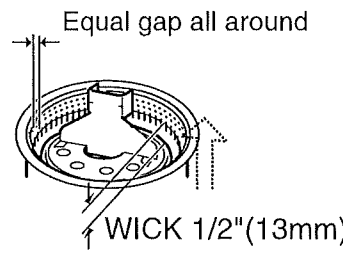
(HIGH position)



Step 19

Equal gap all around

WICK 1/2" (13mm)

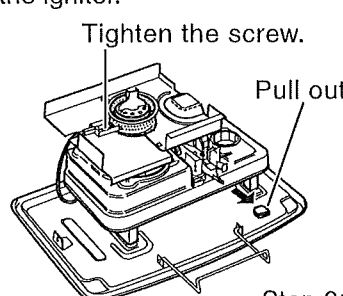


Step 20

Reinstall the wind cover and the igniter.

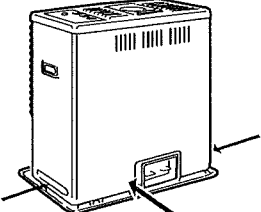
Tighten the screw.

Pull out



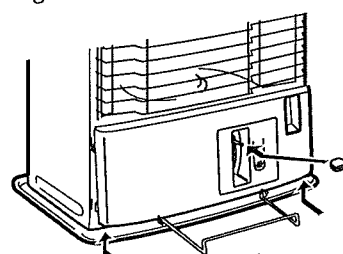
Step 21

Reinstall the body. Tighten 3 screws.



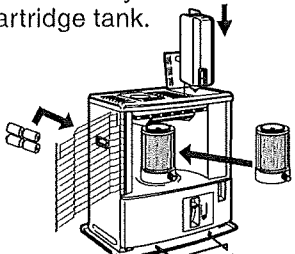
Step 22

Reinstall the panel and the ignition knob. Tighten 2 screws.



Step 23

Install 4 batteries. Reinstall the chimney assembly and the cartridge tank.



Step 24

**NEVER LEAVE THE HEATER
UNATTENDED WHILE BURNING!**

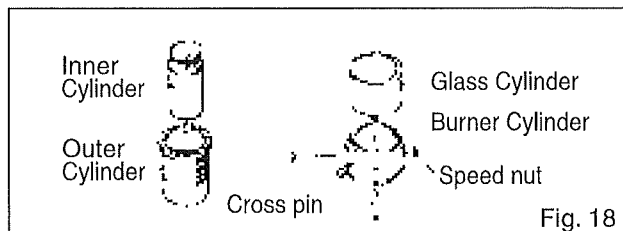
Fill the cartridge tank with clean, pure 1-K kerosene. Place the cartridge tank in the heater and wait at least 60 minutes for kerosene to fully saturate the new wick.

IMPORTANT! If this is not done air bubbles may form in the wick reducing its ability to draw up kerosene. Remember to "dry burn" (Refer to Page 10) the new wick after each 5 or 6 tankfulls of kerosene are consumed.

2 GLASS CYLINDER REPLACEMENT

Remove speed nuts holding cross pins. Then pull out cross pins. Replace glass cylinder.

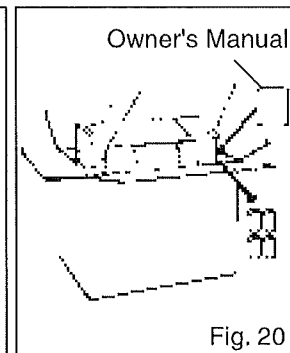
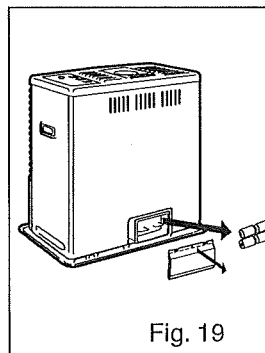
While reassembling, make sure that inner and outer cylinders are set in their proper places.



STORAGE OF KEROSENE HEATER

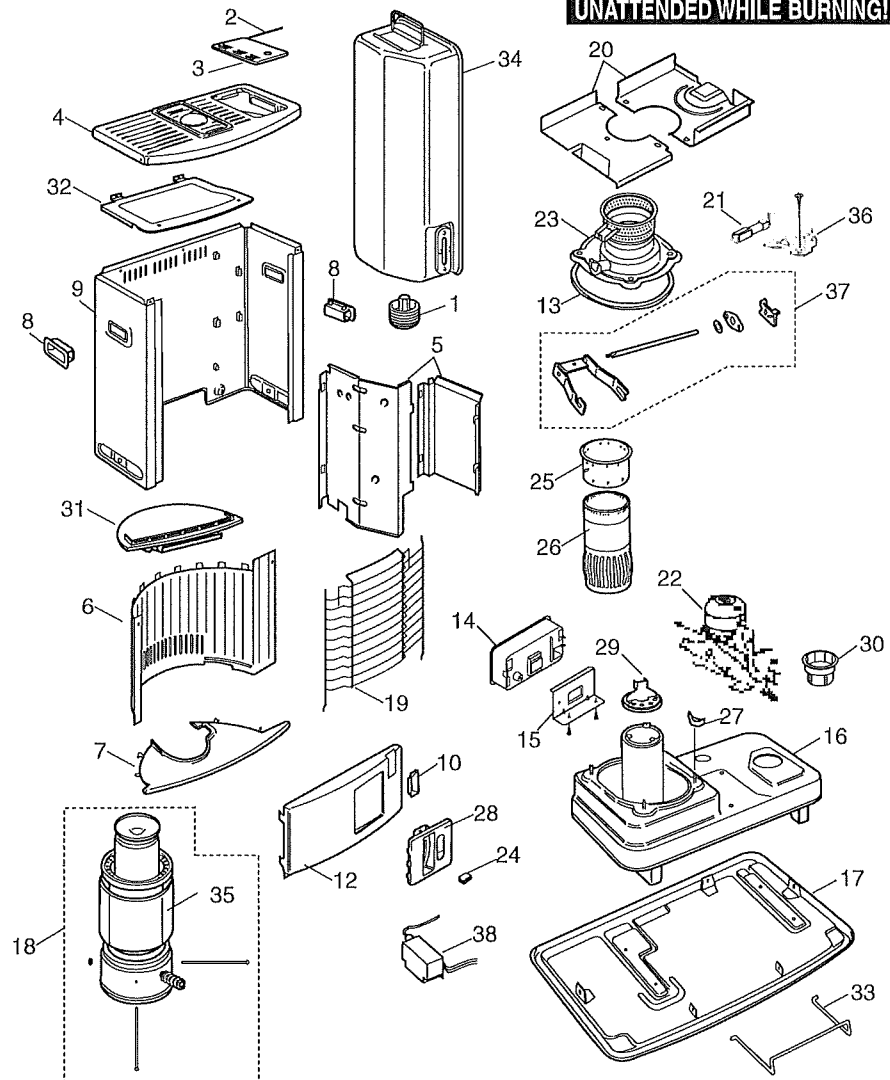
Store the kerosene heater carefully using the following procedure so it will operate safely next season.

- (1) Agitate and rinse inner part of the tank with a little of remaining kerosene, then pour out entirely. Water rarely mixes with kerosene, and it would cause rust inside the tank. Remove kerosene and dry the inside of tank well.
- (2) With no kerosene left in the kerosene heater, ignite and keep the wick burning. When the red heat of the outer cylinder becomes faint, keep the wick fully turned up until it burns out (about an hour).
- (3) After removing the burner and batteries, remove the wick holder assembly from the fuel reservoir, dry the inside of the fuel reservoir thoroughly. Remove the carbon accumulated on the wick holder assembly and/or the soot adhering to the burner with a brush or screw driver.
- (4) After cleaning, reassemble the heater. Remember to reassemble the wick holder assembly so as to keep the gap between the wick holder assembly and the round wick guide equal all the way around. (Refer to page 12 "Wick Replacement", Step 20)
- (5) The batteries should be taken out from the battery case because they may leak and corrode the kerosene heater. (Fig. 19)
- (6) Store the kerosene heater with the the automatic safety shut-off device deactivated and the wick lowered down.
- (7) Put the kerosene heater in the original box with original packing and keep it in a well-ventilated place. Always keep the "Owner's Manual" with the heater! (Fig. 20)



EXPLODED PARTS DRAWING

NOTE
SPECIFY MODEL NUMBER
AND
SERIAL NUMBER
WHEN ORDERING PARTS.



PICTURE REFERENCE NUMBER	DESCRIPTION	PART NUMBER
1	FILL CAP ASS'Y	OS-CT101
2	SPRING HINGE	OS-CT102
3	DOOR	OS-CT103
4	TOP PLATE	OS-CT104
5	CARTRIDGE TANK BAFFLE ASS'Y	OS-CT105
6	REFLECTOR VERTICAL	OS-CT106
7	REFLECTOR BOTTOM	OS-CT107
8	HANDLE	OS-CT108
9	BODY	OS-CT109
10	KEROSENE LEVEL WINDOW	OS-CT110
11		
12	FRONT PANEL	OS-CT112
13	WICK GUIDE PACKING	OS-CT113
14	BATTERY CASE ASS'Y	OS-CT114
15	BATTERY CASE HOLDER	OS-CT115
16	BURNER TANK ASS'Y	OS-CT116
17	DRIP TRAY ASS'Y	OS-CT117
18	CHIMNEY (BURNER) ASS'Y	OS-CT118
19	GRILLE	OS-CT119

PICTURE REFERENCE NUMBER	DESCRIPTION	PART NUMBER
20	WIND COVER	OS-CT120
21	IGNITION PLUG	OS-CT121
22	AUTOMATIC SAFETY SHUTOFF	OS-CT122
23	WICK HOLDER ASS'Y	OS-CT123
24	IGNITION KNOB	OS-CT124
25	WICK HOLDER	OS-CT125
26	WICK	OS-65B
27	WINGNUT	(M4)
28	CONTROL PANEL	OS-CT128
29	DRAFT TUBE TOP	OS-CT129
30	PUSH PIN	OS-CT130
31	INSULATOR BOTTOM	OS-CT131
32	INSULATOR TOP	OS-CT132
33	WALL GUARD	OS-CT133
34	CARTRIDGE TANK ASS'Y	OS-CT134
35	GLASS CYLINDER	OS-CT135
36	IGNITION BLACKET	OS-CT136
37	SPINDLE UNIT	OS-CT137
38	AUTOMATIC IGNITION UNIT	OS-CT138

REPAIR OF DAMAGED OR LEAKING CARTRIDGE TANK ASSEMBLY MUST BE DONE BY A FACTORY AUTHORIZED SERVICE STATION.

**NEVER LEAVE THE HEATER
UNATTENDED WHILE BURNING!**

TROUBLE SHOOTING GUIDE

TROUBLES	ACTION TO BE TAKEN
<p><u>Heater Will Not Light</u></p> <ol style="list-style-type: none"> 1. Empty cartridge tank 2. Water in kerosene 3. Ignition failure 4. Wick is not completely saturated 	<ol style="list-style-type: none"> 1. Fill tank with water-clear 1-K kerosene. 2. Drain tank. Remove wick assembly and replace wick. Reinstall wick assembly. Fill tank with water-clear 1-K kerosene. 3. Replace the batteries. Ensure that igniter makes contact with the top of the wick (not with the side of wick). 4. After filling with kerosene let unit stay for 60 min.
<p><u>Heater Produces Smoke or Odor</u></p> <ol style="list-style-type: none"> 1. Flame is too high 2. Heater is in an air draft 3. Burner unit is not level 4. Built-up carbon or tar on wick 5. Contaminated kerosene 	<ol style="list-style-type: none"> 1. Lift ignition/adjuster lever to lower wick. 2. Move heater out of direct air draft. 3. Use wire handle to rotate burner side to side until it seats properly over the wick. 4. Perform "CARBON REMOVAL / DRY BURN" procedure. If necessary, replace wick. 5. Drain tank. Remove wick assembly and replace wick. Reinstall wick assembly. Fill tank with water-clear 1-K kerosene.
<p><u>Flame Flickers or Dies</u></p> <ol style="list-style-type: none"> 1. Water in kerosene 2. Built-up carbon or tar on wick 3. Wick is not completely saturated 	<ol style="list-style-type: none"> 1. Drain tank. Remove wick assembly and replace wick. Reinstall wick assembly. Fill tank with water-clear 1-K kerosene. 2. Perform "CARBON REMOVAL / DRY BURN" procedure. If necessary, replace wick. 3. After filling with kerosene let unit stay for 60 min.
<p><u>Excessive Wick Burning Down</u></p> <ol style="list-style-type: none"> 1. Dangerous volatile fuel mixed with kerosene (alcohol, benzene, diesel, gasoline, paint thinner, white gas, etc.) 	<ol style="list-style-type: none"> 1. Drain and clean tank. Replace wick. Fill tank with water-clear 1-K kerosene.
<p><u>Wick Adjuster Sticks</u></p> <ol style="list-style-type: none"> 1. Water in kerosene 2. Built-up carbon or tar on wick 	<ol style="list-style-type: none"> 1. Drain tank. Remove wick assembly and replace wick. Reinstall wick assembly. Fill tank with water-clear 1-K kerosene. 2. Perform "CARBON REMOVAL / DRY BURN" procedure. If necessary, replace wick.
<p><u>If the heater is enveloped in flames:</u></p>	<ul style="list-style-type: none"> - Call Fire Department. - Smother flames with fire extinguisher or sand if possible. - Otherwise, smother flames with blankets and throw water on blankets. Do not throw water directly on the heater.