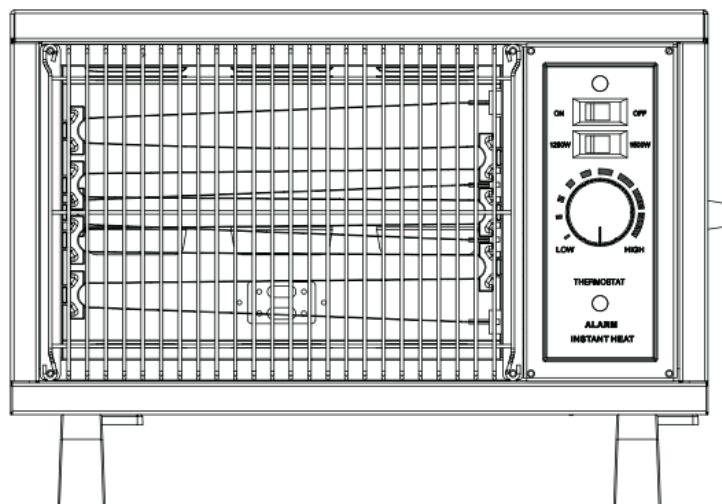




Redstone Electric Radiant Heater OWNER'S MANUAL

Model No. BY1201

SKU No. 1241595



PLEASE SAVE THESE INSTRUCTIONS

WARNING: READ THIS OWNER'S MANUAL CAREFULLY BEFORE USE.

Thank you for choosing our Electric Radiant Heater. This owner's manual will provide you with valuable information necessary for the proper care and maintenance of your new product. Please take a few moments to thoroughly read the instructions and familiarize yourself with all the operational aspects of your new heater.

PLEASE SAVE THESE INSTRUCTIONS

IMPORTANT SAFETY INSTRUCTIONS

READ AND UNDERSTAND ALL INSTRUCTIONS, SAFETY WARNINGS, BEFORE USING THE HEATER



WARNING!



! POTENTIAL FOR ELECTRICAL HAZARD IF NOT ADHERED TO!

When using electrical appliances, basic precautions should always be followed to reduce the risk of fire, electric shock, and injury to persons, including the following:

1. Read ALL instructions before using this unit.
2. CAUTION: Risk of Electric Shock. DO NOT open or try to repair the heater yourself.
3. This heater may get hot when in use. To avoid burns, DO NOT let bare skin touch hot surfaces.
4. Keep combustible materials, such as furniture, pillows, bedding, paper, clothes, and curtains at least 3 feet (0.9 m) from the front of the heater and keep them away from the sides, top, and rear. DO NOT place towels or other objects on the heater.
5. Extreme caution is necessary when any heater is used by or near children or the disabled, or when the heater is left operating and unattended.
6. DO NOT operate any heater with a damaged cord or after the heater malfunctions, has been dropped or damaged in any manner.
7. This heater is not intended for use in bathrooms, laundry areas and similar indoor locations. NEVER locate heater where it may fall into a bathtub or other water container. To protect against electrical hazards, DO NOT immerse in water or other liquids.
8. DO NOT touch the control panel or plug with a wet hand.
9. DO NOT run cord under carpeting. DO NOT cover cord with throw rugs, runners, or similar coverings. Arrange cord away from traffic area and where it will not be tripped over.
10. DO NOT insert or allow foreign objects to enter any ventilation or exhaust opening as this may cause an electric shock or fire, or damage the heater.
11. To prevent a possible fire, DO NOT block the air intakes or exhaust in any manner. DO NOT use on soft surfaces, like a bed, where openings may become blocked.
12. A heater has hot and arcing or sparking parts inside. DO NOT use in areas where gasoline, paint, explosive and/or flammable liquids are used or stored. Keep unit away

from heated surfaces and open flames.

13. Always plug heaters directly into a wall outlet / receptacle Never use with an extension cord or relocatable power tap (outlet/power strip)
14. To avoid fire or shock hazard, plug the unit directly into a 120 V AC electrical outlet.
15. To disconnect heater, turn controls to OFF, then remove plug from outlet. Pull firmly on the plug, DO NOT unplug by pulling on the cord.
16. Always unplug the unit before moving or cleaning, or whenever the heater is not in use.
17. Use only for intended household use as described in this manual.
Any other use not recommended by the manufacturer may cause fire, electric shock, or injury to persons. The use of attachments not recommended or sold by unauthorized dealers may cause hazards.
18. Always use on a dry, level surface. Use on floor only.
19. DO NOT use outdoors.
20. WARNING: To reduce the risk of fire or electric shock, DO NOT use this unit with any solid-state speed control device.
21. DO NOT attempt to repair or adjust any electrical or mechanical functions on this unit. Doing so will void your warranty. The inside of the unit contains no user serviceable parts. Only qualified personnel should perform all servicing.
22. Connect to properly grounded outlets only.

SAVE THESE INSTRUCTIONS

SPECIFICATIONS

Voltage Rating	120 V (60Hz)
Power Consumption	1500W
Unit Size	16.34 in. (L) x 7.09 in. (W) x 11.42 in. (H)
Unit Weight	5.29 lbs

SAFETY FEATURES

Overheat Safety Feature

This heater is equipped with a shut-off safety feature. Once the heater is tipped over, an internal switch will automatically shut the heater off. Once the heater is restored to an upright position, the heater will reset. To continue operation, press the power button on the control panel.

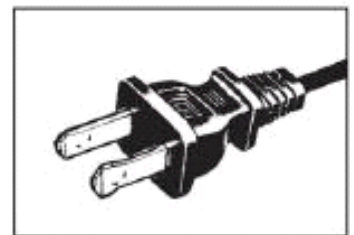
Overheat Safety Feature

This heater is equipped with an overheat safety feature. When the heater's internal components reach a certain temperature that could cause overheating and possible fire, the heater will automatically shut off.

WARNING: It is normal for the power cord to feel warm to the touch; however, a loose fit between the outlet and the plug may cause overheating of the plug. If this occurs, try inserting the plug into a different outlet. Contact a qualified electrician to inspect the original outlet for damage.

Polarized plugs

This appliance has a polarized plug, (one blade is wider than the other). As a safety feature to reduce the risk of electrical shock, this plug is intended to fit in a polarized outlet only one way. If the plug does not fit fully in the outlet, reverse the plug. If it still does not fit, contact a qualified electrician. Do not attempt to defeat this safety feature or modify the plug in any way. If the plug fits loosely into the AC outlet or if the AC outlet feels warm do not use that outlet.

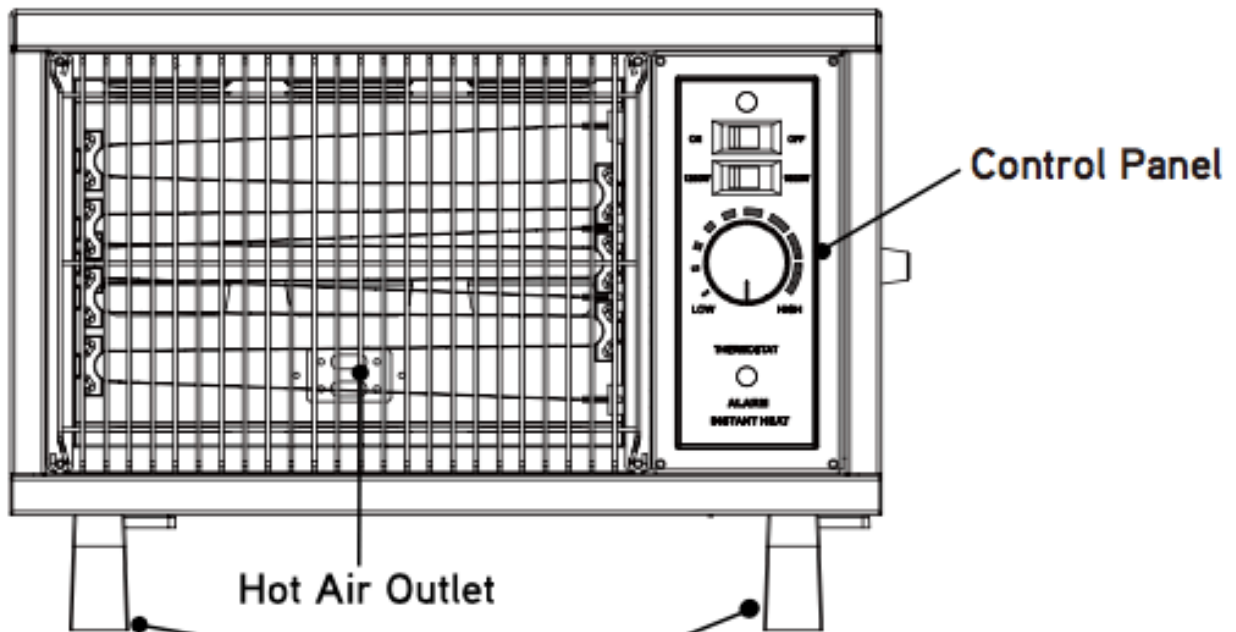


PREPARATION

Before beginning assembly of product, make sure all parts are present. Compare parts with package contents list and hardware contents above. If any part is missing or damaged, do not attempt to assemble the product. Contact customer service for replacement parts.

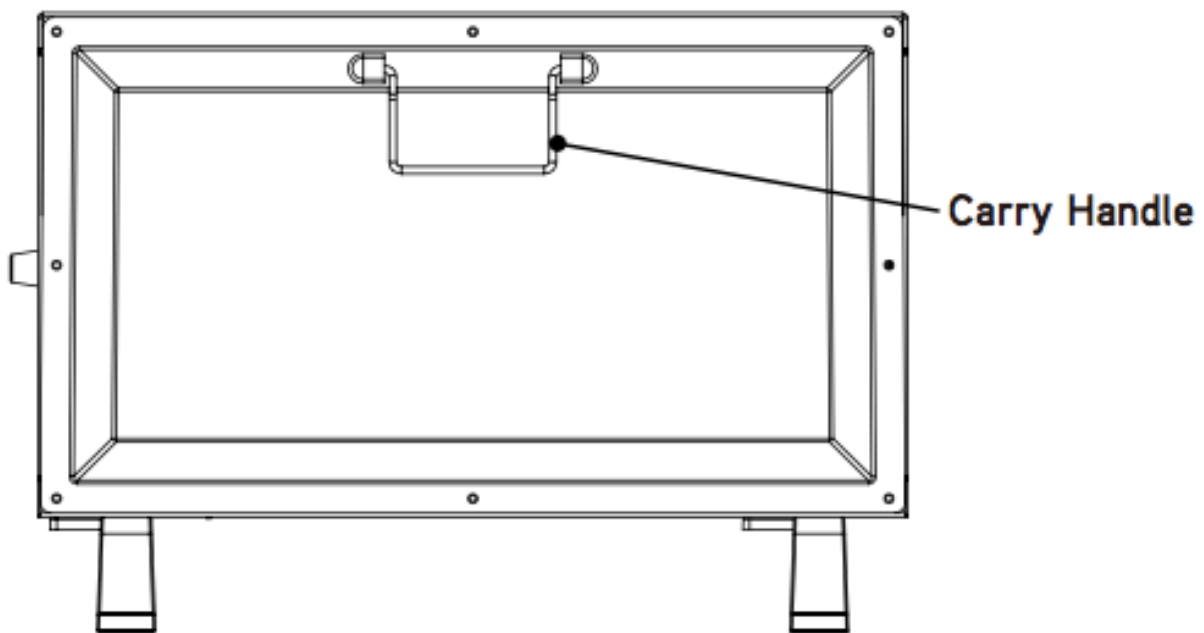
PRODUCT DIAGRAM

FRONT

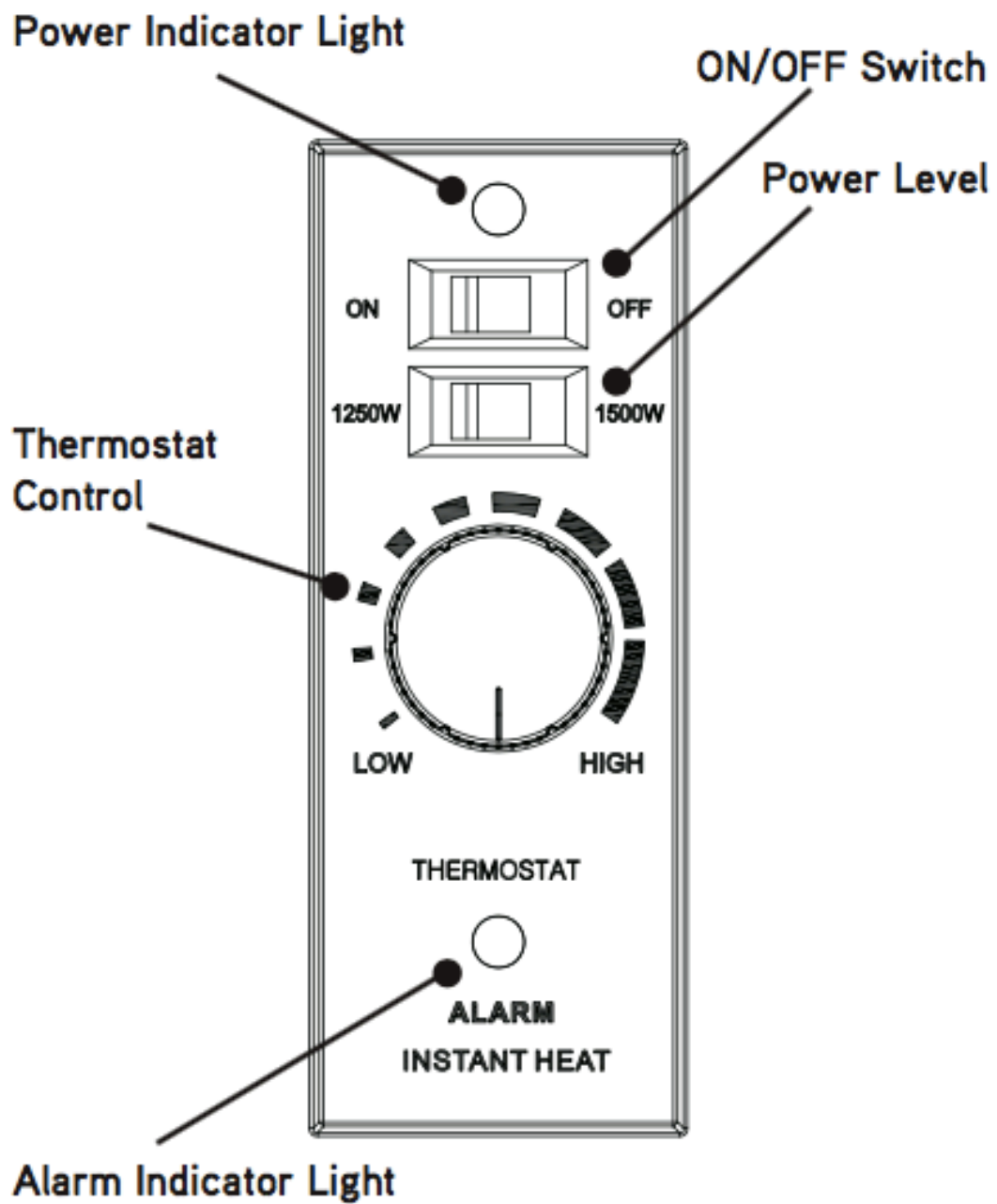


BACK

Base Feet



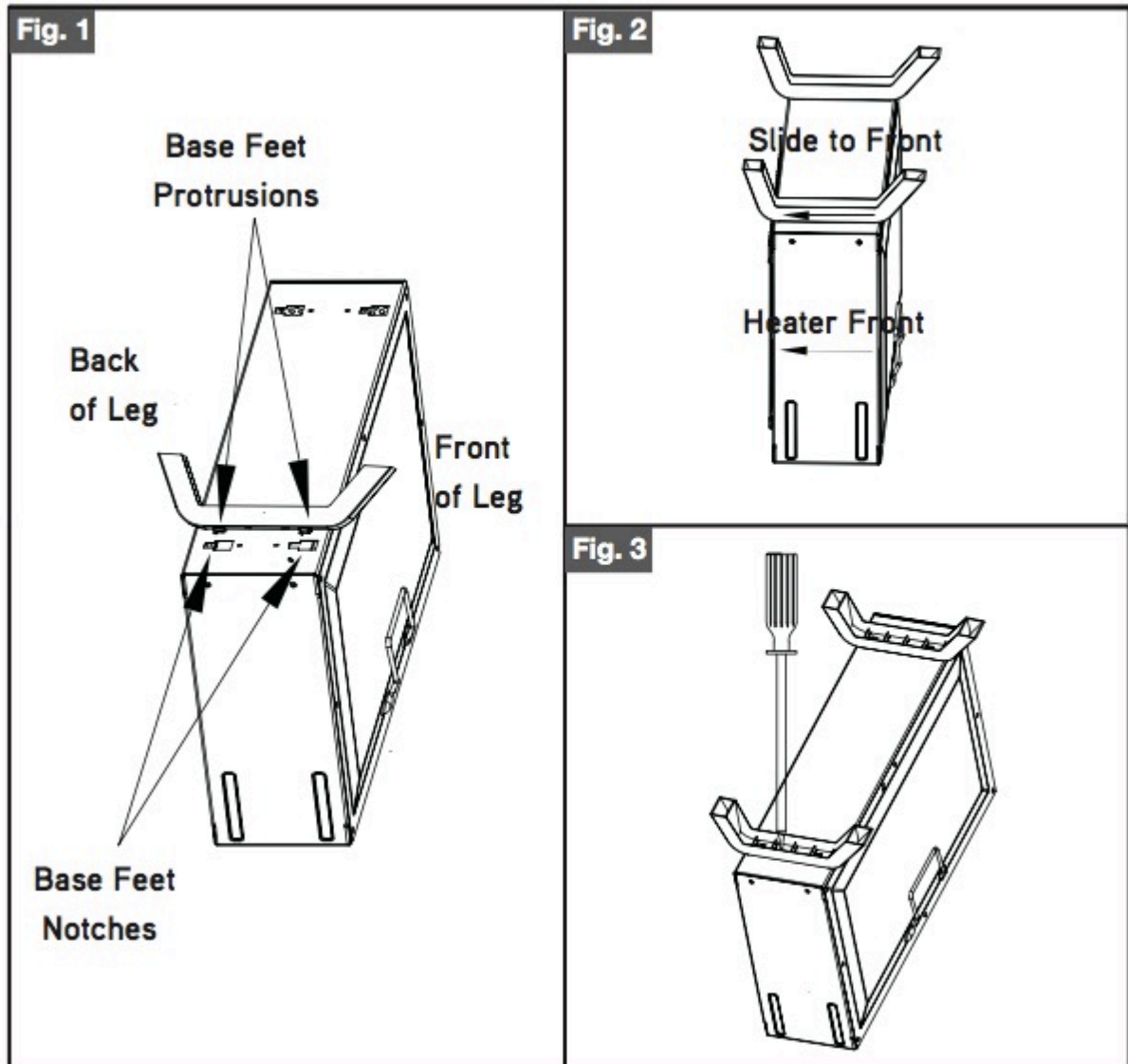
PANEL DIAGRAM



INSTRUCTIONS FOR ASSEMBLY

To complete assembly, please follow these steps in order:


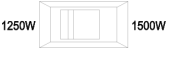
1. Place heater upside down.
2. Ensure Front of Heater and Front of Legs are in correct position. (Fig. 1)
3. Insert Base Feet into notches on bottom of heater. Slide toward front of heater until secure. (Fig. 2)
4. Use 2 screws to secure each leg. Ensure they are tightened securely. (Fig. 3)



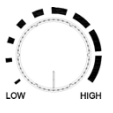
NOTICE: When the heat function is used for the first time, a slight odor may be present. This is normal and should not occur again unless the heater is not used for an extended period of time.

1. Place the product on a firm, level surface, only in the upright position.
2. With the power in the OFF position, plug the unit directly into a 120 V AC electrical outlet
3. Turn ON the power switch at the front of the product.

STARTING UNIT AND SELECTING HEAT MODE

SWITCH ON PANEL	FUNCTION
	Turn the heater ON by pressing the HEAT ON/OFF button.
	Turn the heater OFF by pressing the HEAT ON/OFF button.
	Press the Mode button to toggle between the heat modes. High Mode (1500 W)/Low Mode (1250W)

SELECTING DESIRED TEMPERATURE

SWITCH ON PANEL	FUNCTION
	<p>a) To lower temperature, rotate the Knob counter-clockwise toward the “LOW” position.</p> <p>b) To raise temperature, rotate the knob clockwise toward the “HIGH” position.</p>

NOTE: After room has reached the desired temperature, slowly rotate the temperature knob counter-clockwise until the heater shuts off (you should hear a faint “click”). By leaving the thermostat at this setting it will automatically maintain this temperature.

NOTICE: Do not plug the heater into a circuit that is servicing other electrical needs.

NOTICE: Alarm Indicator will illuminate when the heater has overheated. If light is illuminated, immediately turn the ON/OFF Switch to the “OFF” position, then unplug the unit. Wait for 20-30 minutes for the unit to cool down, then plug in the unit and reset it according to **INSTRUCTIONS FOR USE** section.

MAINTENANCE

1. Turn the POWER OFF.
2. Unplug the unit and let it cool completely.
3. To keep the heater clean, the outer shell may be cleaned with a soft, damp cloth. A mild detergent can be used if necessary.
4. After cleaning, dry the unit with a soft cloth.
5. Wait until the unit is completely dry before use.

TROUBLE SHOOTING

If the heater will not operate, please check the following:

1. Check if the power cord is plugged into an electrical outlet. If not, plug in unit to appropriate outlet.
2. Check if electricity to the outlet is working.
3. Ensure power is turned to ON position.
4. Make sure heater is placed on the solid surface.
5. See SAFETY FEATURES section for additional information.
6. Overheat protection function may have been triggered. Try to press the power button, if the heater does not turn on, clear any obstructions from front and rear of heater that may have caused internal overheating. To restart the heater, unplug it to cool for 5-15minutes, then plug in again. Make sure the obstruction removed before restarting.

STORAGE

Store the heater in a cool, dry location when not in use. To prevent dust and dirt build-up, use the original packaging to repack the unit.