

**NEVER LEAVE THE HEATER UNATTENDED WHILE BURNING!**

# OPERATING INSTRUCTIONS AND OWNER'S MANUAL



## **FORCED AIR PROPANE CONSTRUCTION HEATER**

**Featuring NEW QUIET BURNER TECHNOLOGY**

Model #  
MH60QFAV,  
MH85QFAV  
MH125QFAV

**READ INSTRUCTIONS CAREFULLY:** Read and follow all instructions. Place instructions in a safe place for future reference. Do not allow anyone who has not read these instructions to assemble, light, adjust or operate the heater.



**WARNING: If the information in this manual is not followed exactly, a fire or explosion may result causing property damage, personal injury or loss of life.**

- Do not store or use gasoline or other flammable vapors and liquids in the vicinity of this or any other appliance.
- An LP cylinder not connected for use shall not be stored in the vicinity of this or any other appliance.
- WHAT TO DO IF YOU SMELL GAS
  - Do not try to light appliance.
  - Extinguish any open flame.
  - Shut off gas to appliance.
- Service must be performed by a qualified service agency.

This is an unvented gas-fired portable heater. It uses air (oxygen) from the area in which it is used. Adequate combustion and ventilation air must be provided. Refer to page 3.

**⚠ WARNING:** YOUR SAFETY IS IMPORTANT TO YOU AND TO OTHERS, SO PLEASE READ THESE INSTRUCTIONS BEFORE YOU OPERATE THIS HEATER.

**GENERAL HAZARD WARNING:**

**⚠ FAILURE TO COMPLY WITH THE PRECAUTIONS AND INSTRUCTIONS PROVIDED WITH THIS HEATER, CAN RESULT IN DEATH, SERIOUS BODILY INJURY AND PROPERTY LOSS OR DAMAGE FROM HAZARDS OF FIRE, EXPLOSION, BURN, ASPHYXIATION, CARBON MONOXIDE POISONING, AND/OR ELECTRICAL SHOCK.**

**⚠ ONLY PERSONS WHO CAN UNDERSTAND AND FOLLOW THE INSTRUCTIONS SHOULD USE OR SERVICE THIS HEATER.**

**⚠ IF YOU NEED ASSISTANCE OR HEATER INFORMATION SUCH AS AN INSTRUCTIONS MANUAL, LABELS, ETC. CONTACT THE MANUFACTURER.**

**⚠ WARNING:** NOT FOR HOME OR RECREATIONAL VEHICLE USE

**⚠ WARNING:** FIRE, BURN, INHALATION, AND EXPLOSION HAZARD. KEEP SOLID COMBUSTIBLES, SUCH AS BUILDING MATERIALS, PAPER OR CARDBOARD, A SAFE DISTANCE AWAY FROM THE HEATER AS RECOMMENDED BY THE INSTRUCTIONS NEVER USE THE HEATER IN SPACES WHICH DO OR MAY CONTAIN VOLATILE OR AIRBORNE COMBUSTIBLES, OR PRODUCTS SUCH AS GASOLINE, SOLVENTS, PAINT THINNER, DUST PARTICLES OR UNKNOWN CHEMICALS.

**⚠ WARNING:** THIS PRODUCT CAN EXPOSE YOU TO CHEMICALS INCLUDING LEAD AND LEAD COMPOUNDS, WHICH ARE KNOWN TO THE STATE OF CALIFORNIA TO CAUSE CANCER AND BIRTH DEFECTS OR OTHER REPRODUCTIVE HARM. FOR MORE INFORMATION VISIT [WWW.P65WARNINGS.CA.GOV](http://WWW.P65WARNINGS.CA.GOV)

**⚠ WARNING:** Fuels used in liquefied propane gas appliances, and the products of combustion of such fuel, can expose you to chemicals including benzene, which is known to the state of California to cause cancer and cause birth defects or other reproductive harm, for more information go to [www.P65Warnings.ca.gov](http://www.P65Warnings.ca.gov)

**CONTENTS**

HEATER SPECIFICATIONS..... 2  
 WARNINGS..... 2  
 OPERATING PRECAUTIONS..... 3  
 SAFETY PRECAUTIONS ..... 4  
 ODOR FADE WARNING ..... 5  
 OPERATING INSTRUCTIONS..... 6  
 SERVICING..... 6  
 SIZE AND CAPACITY OF PROPANE CYLINDERS REQUIRED ..... 7  
 WIRING DIAGRAMS..... 8  
 55FAV PARTS ..... 9  
 60FAV PARTS ..... 9  
 85FAV PARTS ..... 9  
 125FAV PARTS ..... 9  
 WARRANTY ..... 12

**LANGUAGES**

▶ English ..... 1-12  
 Spanish..... 1-12  
 French ..... 1-12


**GENERAL INFORMATION**

RETAIN THIS MANUAL FOR FUTURE REFERENCE.  
 FOR QUESTIONS, PROBLEMS, MISSING PARTS BEFORE RETURNING TO RETAILER PLEASE CALL WITH MODEL NUMBER AND SERIAL NUMBER OF HEATER:  
 1-800-251-0001  
 MONDAY-FRIDAY 8-5 PM EASTERN TIME  
 OR EMAIL USING THE MR. HEATER WEBSITE:  
[WWW.MRHEATER.COM](http://WWW.MRHEATER.COM)

In order to provide the best service possible Mr. Heater is now giving you more ways to get in touch with us:

 FACEBOOK: Find us on facebook

 TWITTER: Find us on twitter

 YOUTUBE: There are now informational videos on YouTube.

WEBSITE: Mr. Heater's full line of product are now at [WWW.MRHEATER.COM](http://WWW.MRHEATER.COM)

**SPECIFICATIONS**

**CAUTION: For use with Propane Only  
NOT FOR USE WITH DUCT WORK**

<b>Model:</b>	<b>MH60QFAV</b>	<b>MH85QFAV</b>	<b>MH125QFAV</b>
Rating: BTU	30,000 - 60,000 Btu/Hr	50,000 - 85,000 Btu/Hr	75,000 - 125,000 Btu/Hr
Kilowatts	(8.8 - 17.5 kW)	(14.6 – 25.0 kW)	(21.9 – 36.6 kW)
Fuel Consumption:	1.4 - 2.8 lbs/hr	2.3 – 3.9 lbs/hr	3.5 – 5.8 lbs/hr
	(0.64 - 1.27 kg/hr)	(1.04 – 1.77 kg/hr)	(1.56 – 2.63 kg/hr)
Gas Supply Pressure (to regulator):	Max. Bottle Pressure Min. 20 psi (137.kPa)	Max. Bottle Pressure Min. 20 psi (137.kPa)	Max. Bottle Pressure Min. 20 psi (137.kPa)
Gas Supply Pressure (Regulator out):	20 psi (137.9 kPa)	20 psi (137.9 kPa)	20 psi (137.9 kPa)
Electrical Input	115V, 60 Hz, 1Ø, 2A Min. Operating Voltage:100V	115V, 60 Hz, 1Ø, 2A Min. Operating Voltage:100V	115V, 60 Hz, 1Ø, 2A Min. Operating Voltage:100V
	230 Watts (W)	230 Watts (W)	230 Watts (W)
High Temperature Control:	240°F (116°C)	240°F (116°C)	240°F (116°C)
Ignition	Auto Spark/Manual Valve	Auto Spark/Manual Valve	Auto Spark/Manual Valve

\*\*Each heater is packaged with a 10' long hose with regulator\*\*

**DIMENSIONS**

<b>Model:</b>	<b>Length(in)</b>	<b>Width(in)</b>	<b>Height(in)</b>	<b>Weight(LBS)</b>
MH60QFAV	19.75	11.50	14.25	19.00
MH85QFAV	18.50	11.50	14.00	19.00
MH125QFAV	21.25	11.75	16.00	22.15

**OPERATING PRECAUTIONS**

This is a propane, direct-fired, forced air heater. It's intended use is primarily temporary heating of buildings under construction, alteration or repair.

Propane is heavier than air. If propane leaks from a connection or fitting, it sinks to the floor, collecting there with the surrounding air, forming a potentially explosive mixture. Obviously, propane leaks should be avoided, so set up the propane supply with utmost care. Read enclosed Odor Fade and Propane Sheet for additional information about detecting propane leaks. Leak check new connections or reconnections with a soap and water solution and follow all connection instructions herein. Also, ask your propane dealer for advice on the propane application and supply installation and ask him to check it if there are any questions.

This heater was designed and certified for use as a construction heater in accordance with ANSI Z83.7/CGA 2.14. Check with your local fire safety authority if you have any questions about your applications. Other standards govern the use of fuel gases and heat producing products in specific applications. Your local authority can advise you about these.

Direct-Fired means that all of the combustion products enter the heated space. Even though this heater operates very close to 100 percent combustion efficiency, it still produces small amounts of carbon monoxide. Carbon monoxide (called CO) is toxic. We can tolerate small amounts but not a lot. CO can build up in a heated space and failure to provide adequate ventilation could result in death.

The symptoms of inadequate ventilation are:

- headache
- dizziness
- burning eyes and nose
- nausea
- dry mouth or sore throat

So, be sure to follow advice about ventilation in these operating instructions.

Forced Air means that a blower or fan pushes the air through the heater. Proper combustion depends upon this air flow; therefore, the heater must not be revised, modified or operated with parts removed or missing. Likewise, safety systems must not be circumvented or modified in order to operate the heater.

When the heater is to be operated in the presence of other people the user is responsible for properly acquainting those present with the safety precautions and instructions, and of the hazards involved.

**SAFETY PRECAUTIONS**

1. Check the heater thoroughly for damage. DO NOT operate a damaged heater.
2. DO NOT modify the heater or operate a heater which has been modified from its original condition.
3. Use only propane gas.
4. Use only VAPOR WITHDRAWAL propane supply. If there is any question about vapor withdrawal, ask your propane dealer.
5. Mount the propane cylinders vertically (shutoff valve up). Secure them from falling or being knocked over and protect them from damage.
6. Locate propane containers at least (USA) 7 ft. (2.13m), (Canada) 10 ft. (3m) from the heater and **do not** direct exhaust toward containers.
7. **IMPORTANT** Use only the hose and regulator assembly provided with the heater. Match the color stripe on the hangtag attached to the hose assembly with the color on the label located near the propane inlet fitting on the heater. Inspect hose assembly before each use of the heater. If there is excessive abrasion or wear, or hose is cut, replace with hose assembly listed on parts list before using heater.
8. For indoor use only. Area must be well ventilated. **Figure 1.** (also see "Operating Precautions").
9. If at any time gas odor is detected, IMMEDIATELY DISCONTINUE operation until the source of gas has been located and corrected. Read enclosed Odor fade and Propane Sheet for additional information about detecting propane leaks.
10. Install the heater such that it is not directly exposed to water spray, rain and/or dripping water.
11. Maintain minimum clearance from normal combustable material (like paper). **Figure 2.**
12. Due to the high surface and exhaust temperatures, adults and children must observe clearances to avoid burns or clothing ignition.
13. Operate only on a stable, level surface.
14. Do not use with duct work. Do not restrict inlet or exit.
15. Use only the electrical power specified. The electrical connection and grounding must comply with National Electrical Code - ANSI/NFPA 70 (USA) and CSA C22.1 Canadian Electrical Code, Part 1 (Canada).
16. Use only a properly grounded 3-prong receptacle or extension cord.
17. Do not move, handle or service while hot or burning.
18. **Do not adjust the heater combustion tube elevation while heater is running or hot. Adjustments to elevation should only be made after the heater has cooled to touch.**
19. Use only in accordance with local codes or, in the absence of local codes, with the Standard for the Storage and Handling of Liquefied Petroleum Gases ANSI/NFPA 58 and CSA B149.1, Natural Gas and Propane Installation Code.

**Figure 1**

VENTILATION: Minimum openings required

Heater	Opening near floor	Opening near ceiling
Forced air (55, 60).....	1 ft <sup>2</sup> .....	1 ft <sup>2</sup>
Forced air (85, 125).....	2 ft <sup>2</sup> .....	2 ft <sup>2</sup>

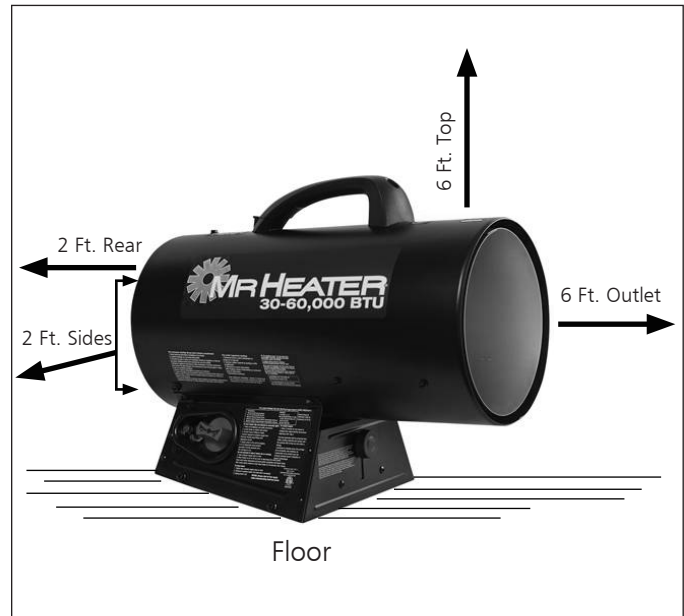
**Figure 2**

MINIMUM CLEARANCE: From normal combustable material

Clearance	60, 85, 125 Forced Air
From floor .....	0 ft
From outlet.....	6 ft
From sides .....	2 ft
From top .....	6 ft

Locate 10 ft. from canvas or plastic tarpaulins or similar coverings and secure them to prevent flapping or movement due to wind action.

**Figure 2 Clearance Diagram**



## ODOR FADE WARNING

### WARNING

#### Asphyxiation Hazard

- Do not use this heater for heating human living quarters.
- Do not use in unventilated areas.
- The flow of combustion and ventilation air must not be obstructed.
- Proper ventilation air must be provided to support the combustion air requirements of the heater being used.
- Refer to the specification section of the heater's manual, heater data plate, or contact the factory to determine combustion air ventilation requirements of the heater.
- Lack of proper ventilation air will lead to improper combustion.
- Improper combustion can lead to carbon monoxide poisoning leading to serious injury or death. Symptom of carbon monoxide poisoning can include headaches, dizziness and difficulty in breathing.

## FUEL GAS ODOR

LP gas and natural gas have man-made odorants added specifically for detection of fuel gas leaks.

**If a gas leak occurs you should be able to smell the fuel gas. Since Propane (LP) is heavier than air you should smell for the gas odor low to the floor. ANY GAS ODOR IS YOUR SIGNAL TO GO INTO IMMEDIATE ACTION!**

- Do not take any action that could ignite the fuel gas. Do not operate any electrical switches. Do not disconnect any power supply or extension cords. Do not light matches or any other source of flame. Do not use your telephone.
- Get everyone out of the building and away from the area immediately.
- Close all propane (LP) gas tank or cylinder fuel supply valves, or the main fuel supply valve located at the meter if you use natural gas.
- Propane (LP) gas is heavier than air and may settle in low areas. When you have reason to suspect a propane leak, keep out of all low areas.
- Use your neighbor's phone and call your fuel gas supplier and your fire department. Do not re-enter the building or area.
- Stay out of the building and away from the area until declared safe by the firefighters and your fuel gas supplier.
- FINALLY, let the fuel gas service person and the firefighters check for escaped gas. Have them air out the building and area before you return. Properly trained service people must repair any leaks, check for further leakages, and then relight the appliance for you.

## ODOR FADING - NO ODOR DETECTED

- Some people cannot smell well. Some people cannot smell the odor of the man-made chemical added to propane (LP) or natural gas. You must determine if you can smell the odorant in these fuel gases.
- Learn to recognize the odor of propane (LP) gas and natural gas. Local propane (LP) gas dealers will be more than happy to give you a scratch and sniff pamphlet. Use it to become familiar with the fuel gas odor.
- Smoking can decrease your ability to smell. Being around an odor for a period of time can affect your sensitivity to that particular odor. Odors present in animal confinement buildings can mask fuel gas odor.
- **The odorant in propane (LP) gas and natural gas is colorless and the intensity of its odor can fade under some circumstances.**
- If there is an underground leak, the movement of gas through the soil can filter the odorant.
- Propane (LP) gas odor may differ in intensity at different levels. Since Propane (LP) gas is heavier than air, there may be more odor at lower levels.
- **Always be sensitive to the slightest gas odor.** If you continue to detect any gas odor, no matter how small, treat it as a serious leak. Immediately go into action as discussed previously.

## ATTENTION - CRITICAL POINTS TO REMEMBER!

- Propane (LP) gas has a distinctive odor. Learn to recognize these odors. (Reference Fuel Gas Odor and Odor Fading sections above.)
- Even If you are not property trained in the service and repair of the heater, ALWAYS be consciously aware of the odors of propane (LP) gas and natural gas.
- If you have not been properly trained in repair and service of propane (LP) gas then do not attempt to light heater, perform service or repairs, or make any adjustments to the heater on the propane (LP) gas fuel system.
- A periodic sniff test around the heater or at the heater's joints; i.e. hose, connections, etc., is a good safety practice under any conditions. If you smell even a small amount of gas, CONTACT YOUR FUEL GAS SUPPLIER IMMEDIATELY. DO NOT WAIT!

## OPERATING INSTRUCTIONS

### PREPARING FOR OPERATION

1. Check the heater for possible shipping damage. If any is found, immediately notify the factory.
2. Follow all of the "Precautions".
3. Connect the POL fitting of hose and regulator assembly to the propane cylinder by rotating the POL nut counterclockwise into the propane cylinder's valve outlet and securely tighten with a wrench.
4. Connect the hose to the heater by rotating the hose fitting clockwise.
5. Securely tighten all gas connections.
6. Open the cylinder's gas valve and check all gas connections with a soap and water solution. **DO NOT USE A FLAME.**
7. Connect power cord to well-grounded 115V, 60 Hz, 1Ø source of power.
8. When using an extension cord, make certain that it is a 3-wire (grounded) cord of proper wire size.

### START

1. Before heater ignition, always allow heater fan (blower) to run for 20 seconds to purge fuel.
2. Slowly open the main valve at propane cylinder.
3. Depress the fuel valve button to light the heater.
4. After the heater lights, keep the gas valve button depressed for 15 seconds then release and the heater will continue to operate.
5. Adjust burn rate by setting control knob to desired level.
6. No thermostat usable with these units.

### STOP

1. Securely close valve on the propane cylinder.
2. Continue to operate heater until all fuel in the hose has burned.
3. Unplug the power cord.

### RESTART AFTER SAFETY SHUTDOWN

1. Securely close valve at propane cylinder. Unplug heater.
2. Wait 5 minutes.
3. Restart following "Start" procedure.

## MAINTENANCE AND STORAGE

1. The heater should be inspected before each use, and at least annually by a qualified person.
2. Before each use, check the soft "O" ring seal at the bullnose of the POL fitting. If the "O" ring is cut, scuffed, or otherwise damaged, replace it with part number 73786.
3. Turn off the gas at the LP-gas supply cylinder(s) when the heater is not in use.
4. When the heater is to be stored indoors, the connection between the LP-gas supply cylinder(s) and the heater must be disconnected and the cylinder(s) removed from the heater and stored out of doors and in accordance with Chapter 5 of the standard for Storage and Handling of Liquefied Petroleum Gases ANSI/NFPA 58 and CSA B149.1, Natural Gas and Propane Installation Code.

## SERVICING

A hazardous condition may result if a heater is used that has been modified or is not functioning properly. When the heater is working properly:

- The flame is contained within the heater.
- The flame is essentially blue with perhaps some yellow tipping.
- There is no strong disagreeable odor, eye burning or other physical discomfort.
- There is no smoke or soot internal or external to the heater.
- There are no unplanned or unexplained shut downs of the heater.

The parts lists and wiring diagram show the heater as it was constructed. Do not use a heater which is different from that shown. In this regard, use only the hose, regulator and cylinder connection fitting (called a POL fitting) supplied with the heater.

**IMPORTANT** Match the color stripe on the hangtag attached to the hose assembly with the color on the label located near the propane inlet fitting on the heater. Do not use alternates. For this heater, the regulator must be set as shown in "specifications". If there is any uncertainty about the regulator setting, have it checked.

A heater which is not working right must be repaired, but only by a trained, experienced service person.

In-warranty products will be repaired with no charge for either parts or labor. Please include a brief statement indicating date, place of purchase, the nature of the problem and proof of purchase.

Out-of-warranty products will be repaired with a charge for parts and labor.

## SIZE AND CAPACITY OF PROPANE CYLINDERS REQUIRED

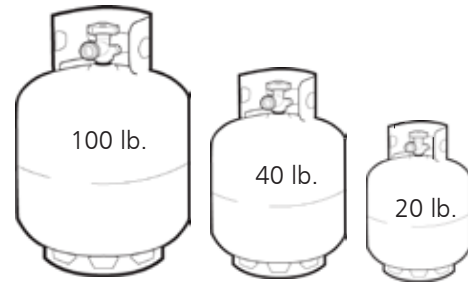
The charts below show the approximate size of the cylinder required for these heaters. To use the chart:

1. Select the lowest air temperature expected (at the bottom of the chart).
2. Move straight up to time of operation desired (left side of chart).
3. Read the cylinder size required.

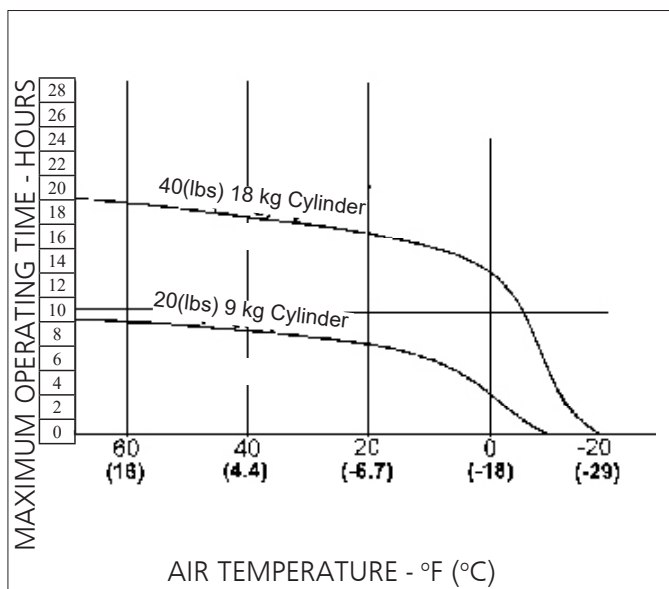
All heaters should have:

- full cylinders
- good air circulation
- no frost on cylinders

## PROPANE/LP VAPORATION RATE (Per 100 lb. Propane Cylinder)



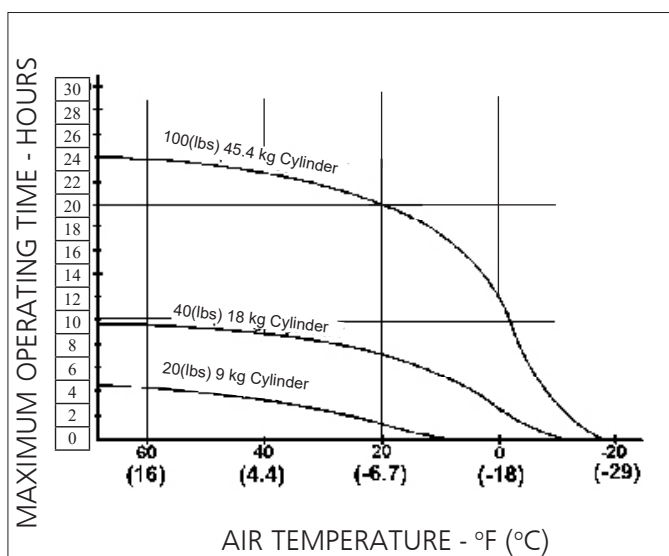
### 60,000 BTU/HR (17.5 kW)



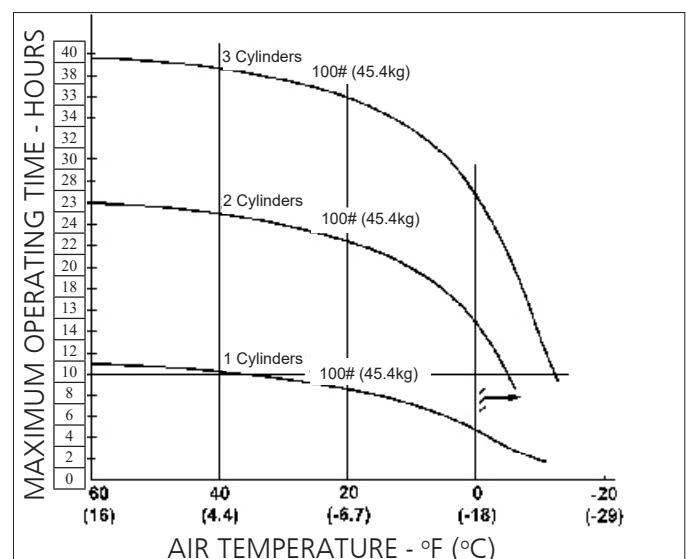
### Propane Heater Cylinder Selection Chart

Pounds of Propane in Cylinder	Maximum continuous BTU Output per Hour at Various Temperature		
	0°	20°	40°
100	113,000	167,000	214,000
90	104,000	152,000	200,000
80	94,000	137,000	180,000
70	83,000	122,000	160,000
60	75,000	109,000	140,000
50	64,000	94,000	125,000
40	55,000	79,000	105,000
30	45,000	66,000	85,000
20	36,000	51,000	69,000
10	28,000	38,000	49,000

### 85,000 BTU/HR (24.9 kW)

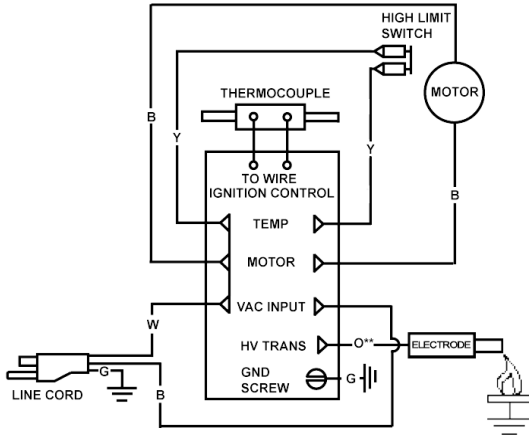


### 125,000 BTU/HR (36.6 kW)

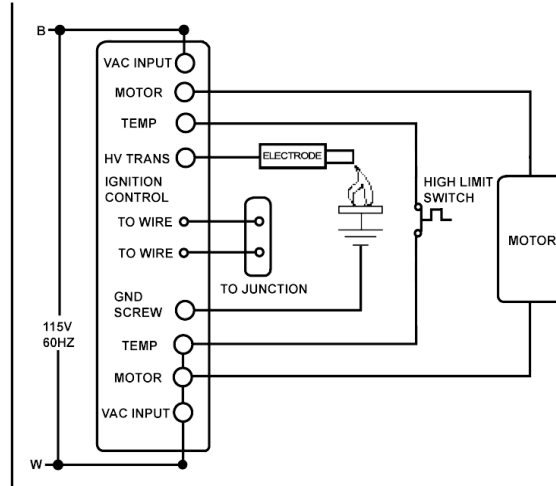


## WIRING DIAGRAMS MH60QFAV & NMH85QFAV

CONNECTION DIAGRAM



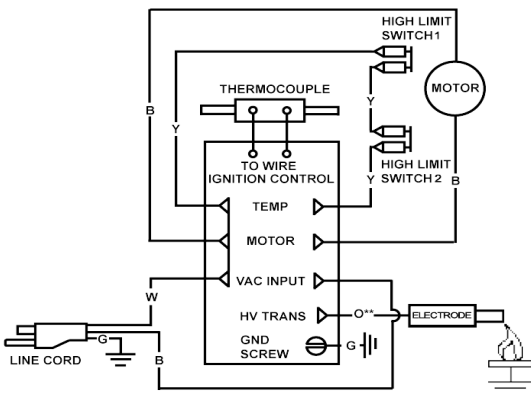
SCHEMATIC DIAGRAM



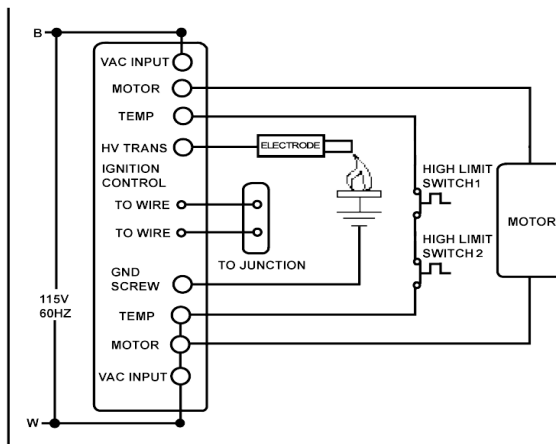
COLOR CODE		LEGEND	
B BLACK	R RED		FEMALE CONN.
W WHITE	Y YEL		RING CONN.
G GREEN	O ORG		

## WIRING DIAGRAMS MH125QFAV

CONNECTION DIAGRAM



SCHEMATIC DIAGRAM

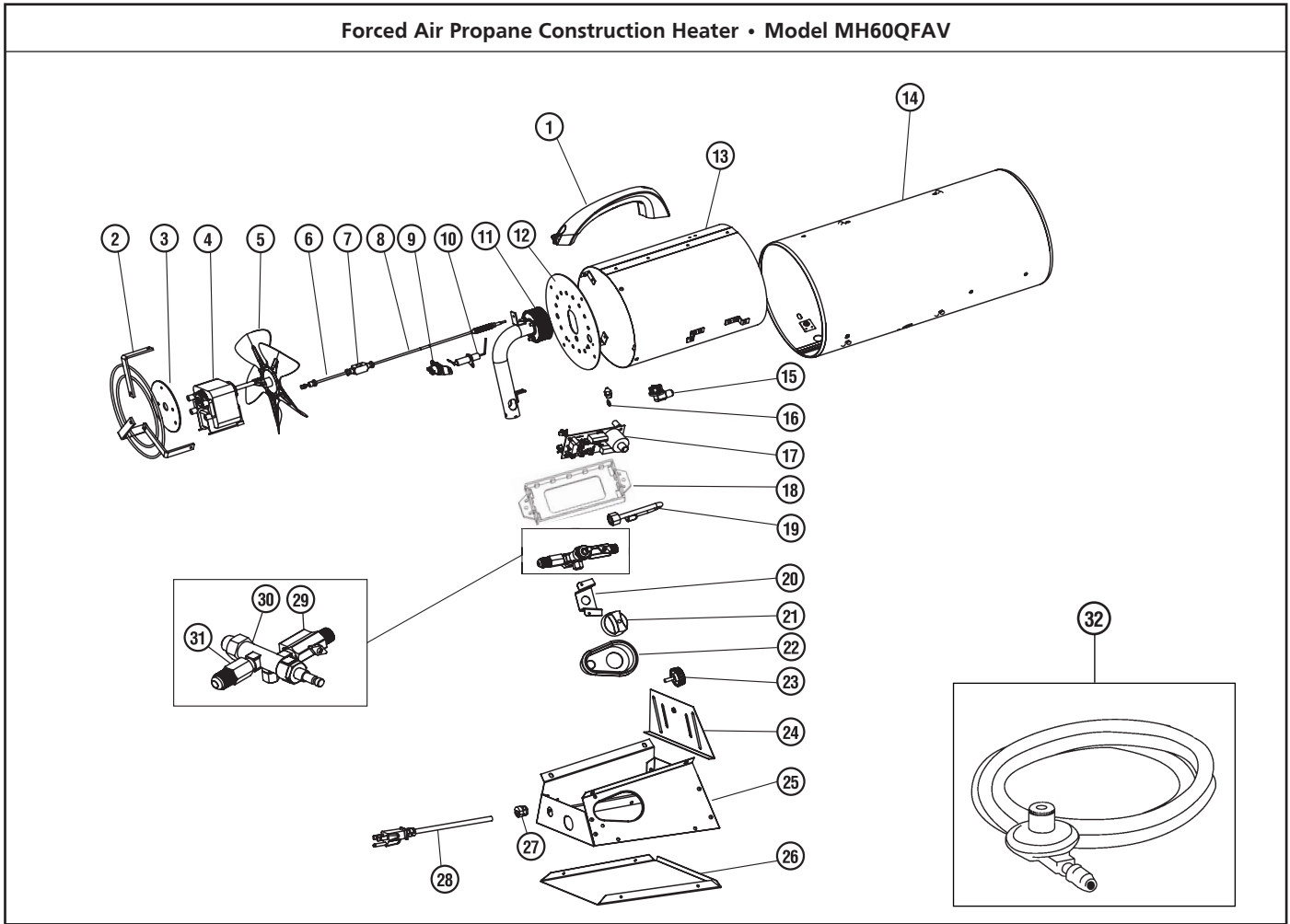


COLOR CODE		LEGEND	
B BLACK	R RED		FEMALE CONN.
W WHITE	Y YEL		RING CONN.
G GREEN	O ORG		



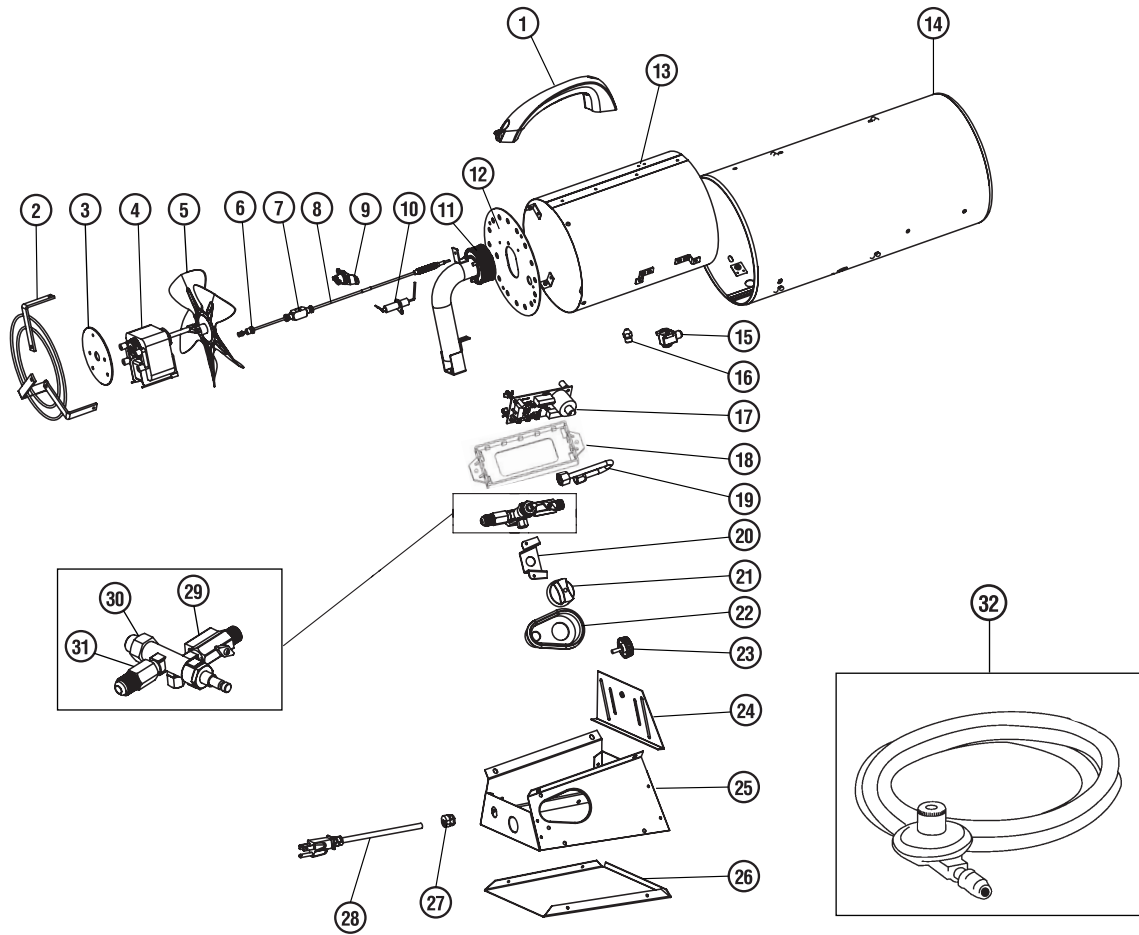
**¡NUNCA DEJE EL CALENTADOR DESATENDIDO MIENTRAS SE QUEMA!**

**Forced Air Propane Construction Heater • Model MH60QFAV**



REF.#	ITEM#	DESCRIPTION	QTY.	REF.#	ITEM#	DESCRIPTION	QTY.
1	27925	Handle,carry,35k	1	17	27002	Ignition/relay module	1
2	27443	Guard,rear,assy,60k	1	18	27003	Ignition Board Cover	1
3	40701	Motor mounting Brkt.	1	19	27452	Fuel tube assembly	1
4	21652	Motor assembly	1	20	27453	Plastic insert	1
5	26086	Fan assembly	1	21	25027	Knob, variable rate	1
6	26656	Thermocouple connector	1	22	27093	Valve cover cup	1
7	26134	Compression relay block	1	23	25026	Elevation knob	1
8	26655	Thermocouple 10"	1	24	27454	Elevation plate	1
9	27445	High limit switch	1	25	27001	Control box assembly	1
10	40904	Ignition electrode	1	26	27456	Panel, bottom	1
11	27446	Burner assembly	1	27	26223	Strain relief bushing	1
12	27447	Flame holder	1	28	21036	Power cord assembly	1
13	27448	Radiationshield assembly	1	29	27457	Variable valve assembly	1
14	27449	Outer shell	1	30	27285	Main gas valve	1
15	27450	Orifice holder	1	31	26127	Fitting, male connector	1
16	27451	Orifice	1	32	27493M	Hose and Regulator (10' Long)	1

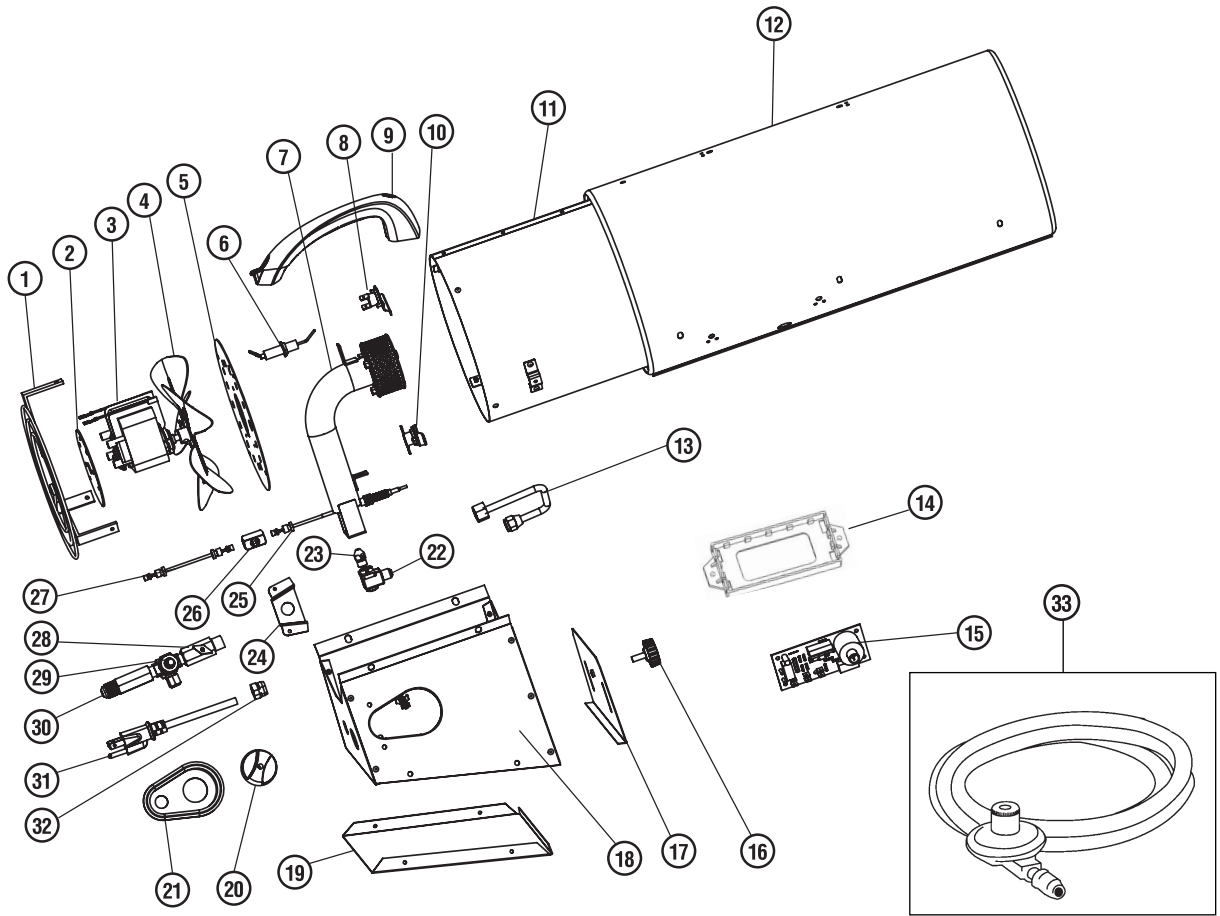
**Forced Air Propane Construction Heater • Model MH85QFAV**



REF.#	ITEM#	DESCRIPTION	QTY.	REF.#	ITEM#	DESCRIPTION	QTY.
1	27925	Handle,carry,35k	1	17	27002	Ignition/relay module	1
2	27443	Guard,rear,assy,60k	1	18	27003	Ignition Board Cover	1
3	40701	Motor mounting Brkt.	1	19	21656	Fuel tube assembly	1
4	21652	Motor assembly	1	20	27453	Plastic insert	1
5	26086	Fan assembly	1	21	25027	Knob, variable rate	1
6	26656	Thermocouple connector	1	22	27093	Valve cover cup	1
7	26134	Compression relay block	1	23	25026	Elevation knob	1
8	26655	Thermocouple 10"	1	24	27454	Elevation plate	1
9	27439	High limit switch	1	25	27001	Control box assembly	1
10	40904	Ignition electrode	1	26	27456	Panel, bottom	1
11	27486	Burner assembly	1	27	26223	Strain relief bushing	1
12	27485	Flame holder	1	28	21036	Power cord assembly	1
13	27448	Radiationshield assembly	1	29	27489	Variable valve assembly	1
14	27449	Outer shell	1	30	27285	Main gas valve	1
15	40900	Orifice holder	1	31	26127	Fitting, male connector	1
16	27487	Orifice	1	32	27493M	Hose and Regulator (10' Long)	1

**¡NUNCA DEJE EL CALENTADOR DESATENDIDO MIENTRAS SE QUEMA!**

**Forced Air Propane Construction Heater • Model MH125QFAV**



REF.#	ITEM#	DESCRIPTION	QTY.	REF.#	ITEM#	DESCRIPTION	QTY.
1	27459	Guard, rear assembly	1	17	27467	Elevation plate	1
2	40897	Panel, guard, rear	1	18	27004	Base, metal assembly	1
3	21652	Motor assembly	1	19	27469	Base, metal, bottom assembly	1
4	26086	Fan assembly	1	20	25027	Knob, variable valve	1
5	40909	Holder, flame	1	21	27093	Insert, plastic, controls	1
6	40904	Electrode, ignition	1	22	40900	Holder, orifice, assembly	1
7	27471	Burner, mesh assembly	1	23	40899	Orifice	1
8	40913	High limit control	1	24	27453	Bracket, plastic, insert	1
9	27925	Handle, carry, plastic	1	25	26655	Thermocouple	1
10	40914	High limit control	1	26	26134	Compression block, relay	1
11	27472	Shield, radiation assembly	1	27	26656	Thermocouple, connector	1
12	27466	Barrel assembly	1	28	40902	Valve, variable, assembly	1
13	27473	Tubing, gas burner assembly	1	29	27285	Valve, gas, main	1
14	27003	Cover, ignition board	1	30	40905	Fitting, gas inlet	1
15	27002	Board, spark ignition	1	31	21036	Power cord assembly	1
16	25026	Elevation knob	1	32	26223	Strain Relief Bushing	1
				33	27493M	Hose and Regulator (10' Long)	1

**⚠WARNING**

**Air Quality Hazard**

- Do not use this heater for heating human living quarters.
- Use of direct-fired heaters in the construction environment can result in exposure to levels of CO, CO<sub>2</sub>, and NO<sub>2</sub> considered to be hazardous to health and potentially life threatening.
- Do not use in unventilated areas.
- Know the signs of CO and CO<sub>2</sub> poisoning.
  - Headaches, stinging eyes
  - Dizziness, disorientation
  - Difficulty breathing, feels of being suffocated
- Proper ventilation air exchange (OSHA 29 CFR 1926.57) to support combustion and maintain acceptable air quality shall be provided in accordance with OSHA 29 CFR Part 1926.154, ANSI A10.10 Safety Requirements for Temporary and Portable Space Heating Devices and Equipment used in the Construction Industry or the Natural Gas and Propane Installation Codes CSA B149.1.
  - Periodically monitor levels of CO, CO<sub>2</sub> and NO<sub>2</sub> existing at the construction site – at the minimum at the start of the shift and after 4 hours.
  - Provide ventilation air exchange, either natural or mechanical, as required to maintain acceptable indoor air quality.

	USA 8-Hr Time weighted average (OSHA 29 CFR 1926.55 App A)	Canada 8-hr time weighted average WorkSafe BC OHS Guidelines Part 5.1 and Ontario Workplaces Reg 833
CO	50 ppm	25 ppm
CO <sub>2</sub>	5000 ppm	5000 ppm
NO <sub>2</sub>		3 ppm (Reg 833)
	USA – Ceiling Limit (Short Term Exposure Limit = 15 minutes)	Canada STEL (15 minutes Reg 833/1 hour WSBC) WorkSafe BC OHS Guidelines Part 5.1 and Ontario Workplaces Reg 833
CO		100 ppm
CO <sub>2</sub>		15000 ppm (WSBC) 30000 ppm (Reg 833)
NO <sub>2</sub>	5 ppm	1.0 ppm (WorkSafeBC) 5.0 ppm (Reg 833)

- Ensure that the flow of combustion and ventilation air exchange cannot become obstructed.
- As the building ‘tightens up’ during the construction phases ventilation may need to be increased.

Installation of this appliance at altitudes above 2000 ft (610 m) shall be in accordance with local codes, or in the absence of local codes, the National Fuel Gas Code, ANSI Z223.1/NFPA 54, or National Standard of Canada, Natural Gas and Propane Installation Code, CSA B149.1

The heater has been shipped from the factory set up for operation on propane gas.



# OPERATING INSTRUCTIONS AND OWNER'S MANUAL

Model #

MH60QFAV  
MH85QFAV  
MH125QFAV

**READ INSTRUCTIONS CAREFULLY:** Read and follow all instructions. Place instructions in a safe place for future reference. Do not allow anyone who has not read these instructions to assemble, light, adjust or operate the heater.



**WARNING:** USE ONLY MANUFACTURER'S REPLACEMENT PARTS. USE OF ANY OTHER PARTS COULD CAUSE INJURY OR DEATH. REPLACEMENT PARTS ARE ONLY AVAILABLE DIRECT FROM THE FACTORY AND MUST BE INSTALLED BY A QUALIFIED SERVICE AGENCY.

### PARTS ORDERING INFORMATION:

**PURCHASING:** Accessories may be purchased at any Mr. Heater local dealer or direct from the factory

#### FOR INFORMATION REGARDING SERVICE

Please call Toll-Free 800-251-0001 • [www.mrheater.com](http://www.mrheater.com)

Our office hours are 8:00 AM – 5:00 PM, EST, Monday through Friday.

Please include the model number, serial number, date of purchase, and description of problem in all communication.

You can also contact Mr. Heater through TWITTER and FACEBOOK

### LIMITED WARRANTY

The company warrants this product to be free from imperfections in material or workmanship, under normal and proper use in accordance with instructions of The Company, for a period of one year from the date of delivery to the buyer. The Company, at its option, will repair or replace products returned by the buyer to the factory, transportation prepaid within said one year period and found by the Company to have imperfections in material or workmanship.

If a part is damaged or missing, call our Technical Support Department at 800-251-0001.

Address any Warranty Claims to the Service Department, Mr. Heater, Inc., 4560 W. 160TH ST., CLEVELAND, OHIO 44135. Include your name, address and telephone number and include details concerning the claim. Also, supply us with the purchase date and the name and address of the dealer from whom you purchased our product.

The foregoing is the full extent of the responsibility of the Company. There are no other warranties, express or implied. Specifically there is no warranty of fitness for a particular purpose and there is no warranty of merchantability. In no event shall the Company be liable for delay caused by imperfections, for consequential damages, or for any charges of the expense of any nature incurred without its written consent. The cost of repair or replacement shall be the exclusive remedy for any breach of warranty. There is no warranty against infringement of the like and no implied warranty arising from course of dealing or usage of trade. This warranty will not apply to any product which has been repaired or altered outside of the factory in any respect which in our judgment affects its condition or operation.

Some states do not allow the exclusion or limitation of incidental or consequential damages, so the above limitation or exclusion may not apply to you. This Warranty gives you specific legal rights, and you may have other rights which vary from state to state.

Mr. Heater, Inc. reserves the right to make changes at any time, without notice or obligation, in colors, specifications, accessories, materials and models.

**PRODUCT REGISTRATION:** Thank you for your purchase.

Please log in to <http://www.mrheater.com/warranty-registration> to register your product.



ENERCO GROUP, INC., 4560 W. 160TH ST., CLEVELAND, OHIO 44135 • 800-251-0001  
Mr. Heater is a registered trademark of Mr. Heater, Inc.  
© 2021, Mr. Heater. All rights reserved

**¡NUNCA DEJE EL CALENTADOR DESATENDIDO MIENTRAS SE QUEMA!**

## INSTRUCCIONES DE USO Y MANUAL DEL USUARIO



### CALENTADOR A PROPANO DE AIRE FORZADO PARA CONSTRUCCIÓN

Presentamos la NUEVA TECNOLOGÍA DE QUEMADOR SILENCIOSO

Modelo #

MH60QFAV

MH85QFAV

MH125QFAV

**LEA CUIDADOSAMENTE LAS INSTRUCCIONES:** lea y siga todas las instrucciones. Consérvelas en un lugar seguro para futura referencia. No permita que nadie que no haya leído estas instrucciones arme, encienda, ajuste o use el calentador.



**⚠ ADVERTENCIA:** Si no se sigue la información de este manual con exactitud, puede producirse un incendio o una explosión y provocar daños a la propiedad, lesiones personales o la muerte.

- No almacene ni utilice gasolina ni otros vapores y líquidos inflamables en las proximidades de este artefacto ni de ningún otro artefacto.
- No almacene ningún cilindro de PL (petróleo líquido) no conectado para su uso en las proximidades de este artefacto ni de ningún otro artefacto.
- QUÉ HACER SI DETECTA OLOR A GAS
  - No intente encender el artefacto.
  - Extinga cualquier llama expuesta.
  - Cierre el paso de gas al artefacto.
- La reparación debe ser realizada por una agencia de reparación calificada únicamente.

Éste es un calentador portátil con fuego a gas sin ventilación. Utiliza aire (oxígeno) del área en la que se utiliza. Se debe proporcionar aire de ventilación y de combustión adecuado. Consulte la página 3.

**⚠️ ADVERTENCIA:** LA SEGURIDAD ES IMPORTANTE PARA USTED Y PARA OTRAS PERSONAS; LEA LAS INSTRUCCIONES ANTES DE OPERAR EL CALENTADOR.

**ADVERTENCIA SOBRE PELIGROS GENERALES:**

NO CUMPLIR CON LAS PRECAUCIONES O INSTRUCCIONES QUE SE INCLUYEN CON EL CALENTADOR PUEDE OCASIONAR LA MUERTE, GRAVES LESIONES FÍSICAS Y DAÑO O PÉRDIDA DE BIENES COMO CONSECUENCIA DE UN INCENDIO, UNA EXPLOSIÓN, QUEMADURAS, ASFIXIA, ENVENENAMIENTO POR MONÓXIDO DE CARBONO O DESCARGA ELÉCTRICA.

**⚠️** EL CALENTADOR DEBERÁ SER USADO Y REVISADO SÓLO POR PERSONAS QUE COMPRENDAN Y PUEDAN SEGUIR LAS INSTRUCCIONES.

**⚠️** SI NECESITARA ASESORAMIENTO O INFORMACIÓN SOBRE EL CALENTADOR, COMO UN MANUAL DE INSTRUCCIONES, ETIQUETAS, ETC., COMUNÍQUESE CON EL FABRICANTE.

**⚠️ ADVERTENCIA:** NO APTO PARA USO DOMÉSTICO NI EN VEHÍCULOS RECREATIVOS

**⚠️ ADVERTENCIA:** PELIGRO DE INCENDIO, QUEMADURAS, INHALACIÓN Y EXPLOSIÓN. LOS COMBUSTIBLES SÓLIDOS, COMO MATERIALES DE CONSTRUCCIÓN, PAPEL O CARTÓN, DEBEN MANTENERSE A UNA DISTANCIA ADECUADA DEL CALENTADOR, SEGÚN SE RECOMIENDA EN LAS INSTRUCCIONES. NO UTILIZAR NUNCA EL CALENTADOR EN ESPACIOS QUE CONTENGAN O PUEDAN CONTENER COMBUSTIBLES VOLÁTILES O AEROTRANSPORTADOS, O PRODUCTOS COMO GASOLINA, SOLVENTES, DILUYENTE PARA PINTURAS, PARTÍCULAS DE POLVO O QUÍMICOS DESCONOCIDOS.

**⚠️ ADVERTENCIA:** LOS COMBUSTIBLES USADOS EN EQUIPOS PARA LICUAR GAS PROPANO, ASÍ COMO LOS PRODUCTOS DE SU COMBUSTIÓN, PUEDEN EXPONERTE A SUSTANCIAS QUÍMICAS, ENTRE ELLAS EL BENCENO, QUE EL ESTADO DE CALIFORNIA RECONOCE COMO CAUSA DE CÁNCER Y DE MALFORMACIONES CONGÉNITAS Y OTROS DAÑOS AL SISTEMA REPRODUCTOR. PARA MÁS INFORMACIÓN, WWW.P65WARNINGS.CA.GOV

**⚠️ ADVERTENCIA:** ESTE PRODUCTO PUEDE EXPONERLE A PLOMO Y COMPUESTOS DE PLOMO, QUE ES CONOCIDO (A) POR EL ESTADO DE CALIFORNIA COMO CAUSANTE DE CÁNCER. LÁVESE LAS MANOS DESPUÉS DE MANIPULAR ESTE PRODUCTO. PARA MAYOR INFORMACIÓN, VISITE WWW.P65WARNINGS.CA.GOV.

**CONTENIDO**

ESPECIFICACIONES DEL CALENTADOR ..... 2

ADVERTENCIAS ..... 2

PRECAUCIONES DE FUNCIONAMIENTO ..... 3

PRECAUCIONES DE SEGURIDAD ..... 4

ADVERTENCIA SOBRE LA AUSENCIA DE OLOR ..... 5

INSTRUCCIONES DE FUNCIONAMIENTO ..... 6

MANTENIMIENTO ..... 6

TAMAÑO Y CAPACIDAD DE CILINDROS DE PROPANO SOLICITADOS ..... 7

DIAGRAMAS DE CABLEADO ..... 8

REPUESTOS 55FAV ..... 9

REPUESTOS 60FAV ..... 9

REPUESTOS 85FAV ..... 9

REPUESTOS 125FAV ..... 9

GARANTÍA ..... 11

**IDIOMAS**

INGLÉS ..... 1-12

▶ ESPAÑOL ..... 1-12

FRANCÉS ..... 1-12

**ESPECIFICACIONES**

GUARDE ESTE MANUAL PARA FUTURAS REFERENCIAS.

PARA PREGUNTAS, PROBLEMAS, FALTAN PIEZAS ANTES VOLVER A MINORISTA POR FAVOR LLAMAR CON MODELO NÚMERO Y NÚMERO DE SERIE DEL CALENTADOR:

1-800-251-0001


Lunes-Viernes 8-5 PM ESTE TIEMPO

O CORREO ELECTRÓNICO EL USO DEL SR. CALENTADOR DE SITIO WEB: WWW.MRHEATER.COM

Con el fin de proporcionar el mejor servicio posible Mr. Heater ahora se le está dando más formas de ponerse en contacto con nosotros

 FACEBOOK: Encuéntrenos en facebook

 TWITTER: Encuéntrenos en twitter

 YouTube: Hay videos ahora informativos en YouTube

WEBSITE: WEBSITE: La línea completa de Mr. Heater del producto se encuentran ahora en WWW.MRHEATER.COM

# ¡NUNCA DEJE EL CALENTADOR DESATENDIDO MIENTRAS SE QUEMA!

## ESPECIFICACIONES

**PRECAUCIÓN: Para uso con propano Sólo NO UTILIZAR CON DUCTOS**

Modelo:	MH60QFAV	MH85QFAV	MH125QFAV
Rating: BTU	30,000 - 60,000 Btu/Hr	50,000 - 85,000 Btu/Hr	75,000 - 125,000 Btu/Hr
Kilowatts	(8.8 - 17.5 kW)	(14.6 - 25.0 kW)	(21.9 - 36.6 kW)
Consumo de Combustible	1.4 - 2.8 lbs/hr	2.3 - 3.9 lbs/hr	3.5 - 5.8 lbs/hr
	(0.64 - 1.27 kg/hr)	(1.04 - 1.77 kg/hr)	(1.56 - 2.63 kg/hr)
Presión del suministro de gas (hacia el regulador)	Max. Bottle Pressure Min. 20 psi (137.kPa)	Max. Bottle Pressure Min. 20 psi (137.kPa)	Max. Bottle Pressure Min. 20 psi (137.kPa)
Presión del suministro de gas (salida del regulador)	20 psi (137.9 kPa)	20 psi (137.9 kPa)	20 psi (137.9 kPa)
Entrada de corriente	115V, 60 Hz, 1Ø, 2A Voltaje de funcionamiento mínima:100V	115V, 60 Hz, 1Ø, 2A Voltaje de funcionamiento mínima:100V	115V, 60 Hz, 1Ø, 2A Voltaje de funcionamiento mínima:100V
	230 Watts (W)	230 Watts (W)	230 Watts (W)
Control de alta temperatura	240°F (116°C)	240°F (116°C)	240°F (116°C)
Ignición	Chispa directa	Chispa directa	Chispa directa

\*\*Cada calentador se suministra con una manguera de 10 'de largo con regulador\*\*

## DIMENSIONS

Modelo:	Largo(in)	Ancho(in)	Altura(in)	Peso(LBS)
MH60QFAV	19.75	11.50	14.25	19.00
MH85QFAV	18.50	11.50	14.00	19.00
MH125QFAV	21.25	11.75	16.00	22.15

## PRECAUCIONES DE FUNCIONAMIENTO

Este calentador funciona mediante aire forzado, propano y calor directo. Fue diseñado para ser usado principalmente para calefaccionar edificios que se estén construyendo, reformando o reparando.

El propano es más pesado que el aire. Si se produce una fuga de propano a través de una conexión o un accesorio, el propano goteará al suelo y se acumulará rodeado de aire, lo que representa una mezcla potencialmente explosiva. Las fugas de propano deben evitarse, por lo que el suministro de propano debe colocarse con extremo cuidado. Consulte la hoja adjunta sobre Ausencia de olor y propano para conocer mejor cómo detectar fugas. Controle que no haya fugas en las nuevas conexiones o reconexiones usando una solución de jabonosa, y siga todas las instrucciones de conexión que se detallan aquí. Consulte al distribuidor de propano respecto de la instalación de la aplicación y el suministro de propano, y pídale que lo controle si tuviera alguna duda al respecto.

Este calentador fue diseñado y certificado para ser utilizado como un calentador para sitios de construcción de acuerdo con la norma ANSI Z83.7/CGA 2.14. Consulte con la autoridad de seguridad antiincendios si tiene alguna pregunta sobre sus aplicaciones. Hay otros estándares que rigen el uso de gases combustibles y productos que producen calor en aplicaciones específicas. La autoridad local podrá asesorarlo al respecto.

Calor directo significa que la totalidad de los productos de combustión ingresa en el espacio calefaccionado. Si bien este

calentador tiene cerca del 100% de eficiencia de combustión, libera pequeñas cantidades de monóxido de carbono. El monóxido de carbono (llamado CO) es tóxico. Las personas pueden tolerar cantidades pequeñas, pero no mucho. La acumulación de CO en el espacio calefaccionado, y la falta de una ventilación adecuada, pueden ocasionar la muerte. Síntomas de una ventilación deficiente:

- dolor de cabeza
- mareo
- ardor en los ojos y la nariz
- náuseas
- sequedad en la boca o dolor de garganta

Por lo tanto, asegúrese de seguir las indicaciones sobre ventilación que se detallan en estas instrucciones.

Aire forzado se refiere a que un soplador o ventilador impulsa el aire a través del calentador. De este flujo de aire depende que haya una combustión adecuada, por lo que no se debe revisar ni modificar el calentador, ni se lo debe utilizar si le faltara alguna pieza. De igual manera, no deben quitarse ni modificarse los sistemas de seguridad para poner en funcionamiento el calentador.

Al utilizarlo en presencia de otras personas, el usuario deberá informarles debidamente acerca de las precauciones e instrucciones de seguridad, y advertirles sobre los posibles peligros.



**PRECAUCIONES DE SEGURIDAD**

1. Controle detalladamente que el calentador no esté dañado. NO utilice ningún calentador dañado.
2. NO modifique el calentador ni utilice ninguno cuya condición original haya sido alterada.
3. Utilice sólo gas propano.
4. Utilice sólo suministro de propano con EXTRACCIÓN DE VAPOR. Si tuviera alguna duda acerca de la extracción de vapor, consulte a su vendedor de propano.
5. Coloque los cilindros de propano verticalmente (con la válvula de cierre hacia arriba). Sujételos para evitar que se caigan o se volteen, y protéjalos para que no se dañen.
6. Ubique los contenedores de propano al menos a (EE. UU.) 2,13m (7 ft), (Canadá) 3 m (10 ft) del calentador, y **no** dirija el escape hacia los contenedores.
7. **IMPORTANTE:** Use sólo el ensamble de manguera y regulador que se incluye con el calentador. Haga coincidir la tira de color de la etiqueta que cuelga del ensamble de manguera con el color de la etiqueta ubicada cerca de la conexión de entrada de propano del calentador. Revise el ensamble de manguera antes de cada uso del calentador. Si presentara mucha abrasión o desgaste, o si la manguera estuviera cortada, reemplácelo con el ensamble que figura en la lista de piezas antes de utilizar el calentador.
8. Sólo para uso en interiores. El área debe estar bien ventilada. **Figura 1.** (Ver también "Precauciones de funcionamiento").
9. Si en algún momento se percibe olor a gas, DETENGA DE INMEDIATO el funcionamiento hasta que el origen del gas se haya detectado o reparado. Consulte la hoja adjunta sobre Ausencia de olor y propano para conocer mejor cómo detectar fugas de propano.
10. Instale el calentador de manera que no quede directamente expuesto a rocío de agua, lluvia ni goteras.
11. Mantenga el espacio libre mínimo respecto de material combustible normal (como papel). **Figura 2.**
12. Debido a la alta temperatura que alcanzan la superficie y el escape, adultos y niños deben respetar las distancias mínimas para evitar quemarse o que su ropa se prenda fuego.
13. Utilizar sólo sobre una superficie estable y nivelada.
14. No utilizar sobre redes de conductos. No obstruya la entrada ni la salida.
15. Utilice sólo la potencia eléctrica especificada. La conexión eléctrica y la conexión a tierra deben cumplir con el Código eléctrico nacional, ANSI/NFPA 70 (EE. UU.), y con la norma CSA C22.1 del Código eléctrico canadiense, Parte 1 (Canadá).
16. Utilice sólo un cable de extensión o un tomacorriente de 3 puntas debidamente conectado a tierra.
17. No mueva ni manipule el aparato, ni realice mantenimiento alguno mientras esté caliente o funcionando.
18. No ajuste la elevación del tubo de combustión del calentador mientras el aparato esté funcionando o caliente. Estos ajustes sólo pueden realizarse una vez que el calentador esté frío al tacto.
19. Utilizar solamente según los códigos locales o, si no hubiera códigos locales, según las Normas para el almacenamiento y el suministro de gases licuados del petróleo, ANSI/NFPA 58 y CSA B149.1, Código de instalación de gas natural y propano.

**Figura 1**

VENTILACIÓN: Aperturas mínimas necesarias

Calentador	Apertura cerca del suelo	Apertura cerca del techo
Aire forzado (55, 60).....	0,1 m <sup>2</sup> (1 ft <sup>2</sup> ) .....	0,1 m <sup>2</sup> (1 ft <sup>2</sup> )
Aire forzado (85, 125).....	0,19 m <sup>2</sup> (2 ft <sup>2</sup> ).....	0,19 m <sup>2</sup> (2 ft <sup>2</sup> )

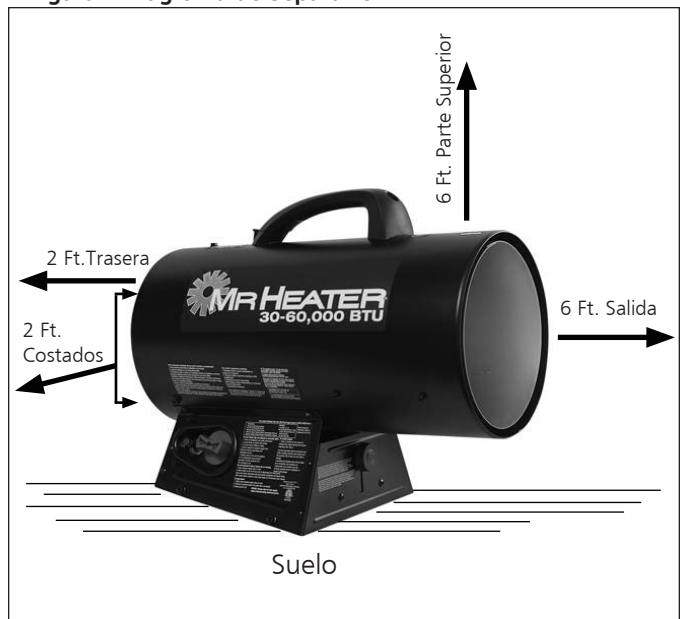
**Figura 2**

ESPACIO LIBRE MÍNIMO: De material combustible normal

Espacio mínimo	60, 85, 125 Aire forzado
Desde el suelo .....	0 m (0 ft)
Desde la salida.....	1,8 m (6 ft)
Desde los costados .....	0,6 m (2 ft)
Desde la parte superior.....	0,9 m (6 ft)

Colocar a 3 m. (10 ft.) de lonas plásticas o de tela, o de coberturas similares, y asegurarlas para evitar que se agiten o se muevan por la acción del viento.

**Figura 2 Diagrama de Separación**



## ADVERTENCIA SOBRE LA AUSENCIA DE OLOR

### ADVERTENCIA



#### Peligro de asfixia

- No utilice este calentador para calefaccionar espacios habitados por personas.
- No utilizar en áreas sin ventilación.
- El flujo del aire de ventilación y de combustión no debe estar obstruido.
- Se debe proporcionar una ventilación adecuada para cumplir con los requisitos de aire de combustión del calentador que está utilizando.
- Consulte la sección de especificaciones del manual del calentador, la placa de identificación del calentador, o comuníquese con la fábrica para determinar los requisitos de ventilación de aire de combustión del calentador.
- La falta de una ventilación adecuada provocará una combustión incorrecta.
- La combustión incorrecta puede conducir a la intoxicación por monóxido de carbono, lo que puede provocar lesiones graves o la muerte. Los síntomas de la intoxicación por monóxido de carbono pueden incluir dolores de cabeza, mareos y dificultad para respirar.

## OLOR DEL GAS COMBUSTIBLE

El gas licuado y el gas natural poseen odorizantes artificiales agregados específicamente para la detección de fugas de gas combustible.

Si se produce una fuga de gas, podrá oler el gas combustible.

Dado que el propano (licuado) es más pesado que el aire, debe detectar el olor a gas cerca del nivel del suelo.

**CUALQUIER OLOR A GAS QUE DETECTE LE INDICA QUE DEBE TOMAR MEDIDAS INMEDIATAS.**

- No realice ninguna actividad que pudiera encender el gas combustible. No accione interruptores eléctricos de ningún tipo. No desconecte ningún cable de suministro de energía ni de extensión. No encienda fósforos ni ningún otro tipo de llama. No use su teléfono.
- Retire a todos del edificio y lejos del área de inmediato.
- Cierre todas las válvulas de suministro de gas a tanques o cilindros de gas licuado propano, o la válvula principal de suministro de gas ubicada en el contador si utiliza gas natural.
- El gas licuado propano es más denso que el aire y puede permanecer en áreas bajas. Cuando tenga motivos para sospechar la presencia de una fuga de propano, manténgase alejado de todas las áreas bajas.
- Use el teléfono de su vecino y llame a su suministrador de gas combustible y al departamento de bomberos. No vuelva a ingresar al edificio o al área.
- Manténgase alejado del edificio y del área hasta que los bomberos y su suministrador de gas combustible indiquen que es seguro hacerlo.
- FINALMENTE, permita que el encargado del servicio del gas combustible y que los bomberos verifiquen el escape de gas. Indíqueles que ventilen el edificio y el área antes de volver a ingresar. El personal de servicio capacitado y adecuado debe reparar la fuga, controlar la existencia de otras fugas y luego volver a encender la aplicación.

## PÉRDIDA DE LA INTENSIDAD DEL OLOR - FALTA DE DETECCIÓN DE OLOR

- Algunas personas no tienen buen olfato. Algunas personas no pueden detectar el olor del químico realizado por el hombre que se agrega al gas licuado propano o al gas natural. Usted debe determinar si puede distinguir ese olor en estos gases combustibles.
- Aprenda a reconocer el olor del gas licuado propano y del gas natural. Los vendedores de gas licuado propano gustosamente le facilitarán un panfleto para raspar y oler. Úselo para reconocer el olor al gas combustible.
- Fumar puede disminuir su capacidad de reconocer olores. Permanecer rodeado de un olor determinado por un período de tiempo puede afectar su sensibilidad a ese olor en particular. Los olores presentes en edificios donde permanecen encerrados animales pueden ocultar el olor al gas combustible.
- **El odorizante en el gas licuado propano y en el gas natural es invisible y la intensidad de su olor puede perder su intensidad bajo determinadas circunstancias.**
- En caso de una pérdida subterránea, el movimiento de gas por el suelo puede filtrar el odorizante.
- El olor del gas licuado propano puede variar su intensidad en distintos niveles. Como el gas licuado propano es más denso que el aire, podría haber más olor en los niveles más bajos.
- **Esté siempre atento al más mínimo olor a gas.** Si continúa detectando olor a gas, no importa cuán ínfima sea su intensidad, tómelo como una pérdida seria. Actúe de inmediato según lo indicado anteriormente.

## ATENCIÓN: ¡PUNTOS IMPORTANTES PARA RECORDAR!

- El gas licuado propano tiene un olor distintivo. Aprenda a reconocer esos olores. (Secciones de referencia del olor del gas combustible y de la pérdida de intensidad del olor, explicadas anteriormente).
- Incluso si no se encuentra adecuadamente capacitado para el servicio y reparación del calentador, SIEMPRE esté alerta para reconocer los olores del gas licuado propano y del gas natural.
- Si no ha sido adecuadamente capacitado en la reparación y servicio del gas licuado propano, no intente encender el calentador, realizar mantenimiento o reparaciones o realizar ajustes al calentador en el sistema de combustible de gas licuado propano.
- Una prueba periódica oliendo alrededor del calentador o en las juntas del calentador, por ejemplo manguera, conexiones, etc., es una buena práctica de seguridad en cualquier circunstancia. Si huele incluso una pequeña cantidad de gas, **CONTACTE DE INMEDIATO A SU PROVEEDOR DE GAS COMBUSTIBLE. ¡NO ESPERE!**

## INSTRUCCIONES DE FUNCIONAMIENTO

### PREPARACIÓN PARA EL FUNCIONAMIENTO

1. Controle que el calentador no se haya dañado durante el envío. Si hubiera algún daño, notifique de inmediato a la fábrica.
2. Respete todas las "Precauciones".
3. Conecte el accesorio POL del ensamble de manguera y de regulador al cilindro de propano girando la tuerca POL hacia la izquierda dentro de la salida de la válvula del cilindro, y ajuste bien con una llave de tuercas.
4. Conecte la manguera al calentador girando la conexión de la manguera hacia la derecha.
5. Ajuste firmemente todas las conexiones de gas.
6. Abra la válvula de gas del cilindro y controle todas las conexiones con una solución de agua jabonosa. NO UTILICE LLAMA.
7. Conecte el cable a un suministro de energía de 115 V, 60 Hz, 1Ø debidamente conectado a tierra.
8. Si utiliza un cable de extensión, asegúrese de que sea un cable de tres puntas (conectado a tierra) del tamaño adecuado.

### ARRANQUE

1. Antes de encender el calentador, deje funcionar el ventilador (soplador) unos 20 segundos para que se purgue el combustible.
2. Abra lentamente la válvula principal del cilindro de propano.
3. Presione el botón de la válvula de combustible para encender el calentador.
4. Una vez encendido el calentador, mantenga el botón de la válvula de gas presionado durante 15 segundos, luego suéltelo y el calentador seguirá funcionando.
5. Ajuste la potencia girando la perilla de control hasta el nivel deseado.
6. Mientras el cable de suministro eléctrico esté conectado, el encendedor seguirá funcionando.
  - a) El encendedor echa chispas permanentemente.
7. Estas unidades no incluyen termostato.

### PARO

1. Cierre debidamente la válvula del cilindro de propano.
2. Mantenga el calentador funcionando hasta que se haya consumido todo el combustible de la manguera.
3. Desconecte el cable de suministro eléctrico.

### REINICIO LUEGO DE APAGADO DE SEGURIDAD

1. Cierre debidamente la válvula del cilindro de propano. Desenchufe el calentador.
2. Espere 5 minutos.
3. Reinicie siguiendo el procedimiento de "Arranque".

## MANTENIMIENTO Y ALMACENAJE

1. El calentador debe ser inspeccionado antes de cada uso y por una persona calificada al menos una vez al año.
2. Antes de cada uso, controle el sello hermético de la junta tórica ubicada en la boquilla de unión del accesorio POL. Si la junta tórica está cortada, desgastada o dañada de alguna manera, reemplácela con la pieza número 73786.
3. Cierre el paso de gas del cilindro de suministro de gas propano mientras el calentador no esté en uso.
4. Si el calentador se almacenará en un sitio cerrado, se deben desconectar los cilindros de suministro de gas propano, y se los debe colocar fuera, de acuerdo con el Capítulo 5 de la Norma para el almacenamiento y el suministro de gases licuados del petróleo, ANSI/NFPA 58 y CSA B149.1, Código de instalación de gas natural y propano.

## MANTENIMIENTO

Usar un calentador que ha sido modificado o que no funciona debidamente puede generar una situación peligrosa. Si el calentador funciona correctamente:

- La llama permanece dentro del calentador.
- La llama es principalmente azul, quizá con algunas puntas amarillas.
- No se percibe ningún olor desagradable, irritación en los ojos ni otro tipo de molestia física.
- No se acumula humo ni hollín dentro ni fuera del calentador.
- El calentador no se apaga de forma sorpresiva ni inesperada.

Las listas de piezas y el diagrama de cableado muestran el calentador tal como fue construido. No utilice el calentador si fuera diferente al que se muestra aquí. A su vez, use sólo la manguera, el regulador y el accesorio de conexión al cilindro (llamado accesorio POL) que se incluye con el calentador. **IMPORTANTE:** Haga coincidir la tira de color de la etiqueta que cuelga del ensamble de manguera con el color de la etiqueta ubicada cerca de la conexión de entrada de propano del calentador. No utilice elementos alternativos. En este calentador, el regulador debe configurarse como se muestra en "especificaciones". Si no está seguro de la configuración del regulador, haga que lo controlen. Se deben reparar los calentadores que no funcionen debidamente, pero sólo podrá hacerlo un experto en mantenimiento capacitado. Los productos que estén dentro de la garantía serán reparados sin que deba pagarse por las piezas ni por la mano de obra. Incluya una breve descripción en la que indique la fecha y el lugar en que realizó la compra, la naturaleza del problema y un comprobante de compra.

Los productos que ya no estén en garantía serán reparados, pero se cobrarán las piezas y la mano de obra.

## AJUSTE DE LA ELEVACIÓN DEL CALENTADOR

Este calentador cuenta con un panel de ajuste de la elevación, ubicado en el extremo del escape de la caja de control.

1. No ajuste la elevación del tubo de combustión del calentador mientras el aparato esté funcionando o caliente. Estos ajustes sólo pueden realizarse una vez que el calentador esté frío al tacto.
2. Para ajustar la elevación del tubo de combustión, gire la perilla del tornillo de ajuste hacia la izquierda, y eleve el tubo de combustión hasta la posición deseada.

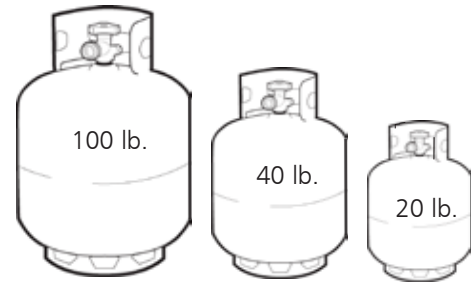
## CAPACIDAD Y TAMAÑO REQUERIDOS DE LOS CILINDROS DE PROPANO

Las siguientes tablas muestran el tamaño aproximado requerido del cilindro para estos calentadores. Para utilizar la tabla:

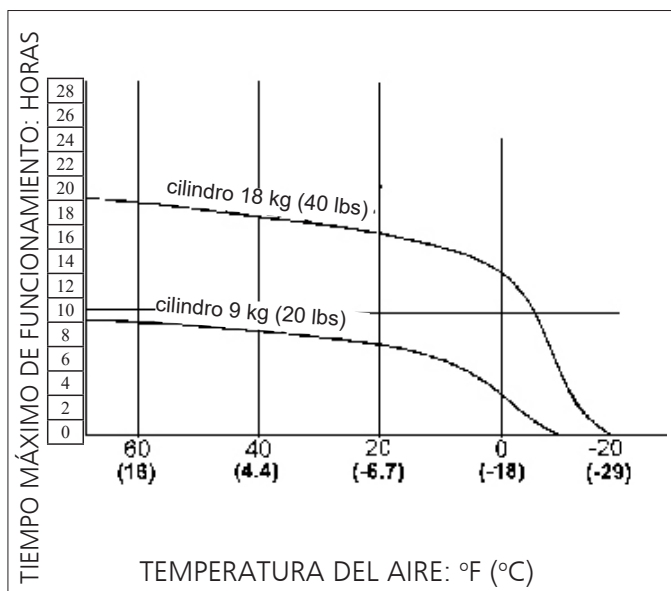
1. Seleccione la mínima temperatura de aire esperada (en la parte inferior de la tabla).
2. Suba hasta el tiempo de funcionamiento deseado (lado izquierdo de la tabla).
3. Compruebe el tamaño de cilindro necesario.

Todos los calentadores deberán tener:  
 cilindros completos,  
 buena circulación de aire y  
 cilindros sin ninguna parte congelada.

## PROPANO / PL LA VAPORIZACIÓN TASA (Por cada 100 lb cilindro de propano)



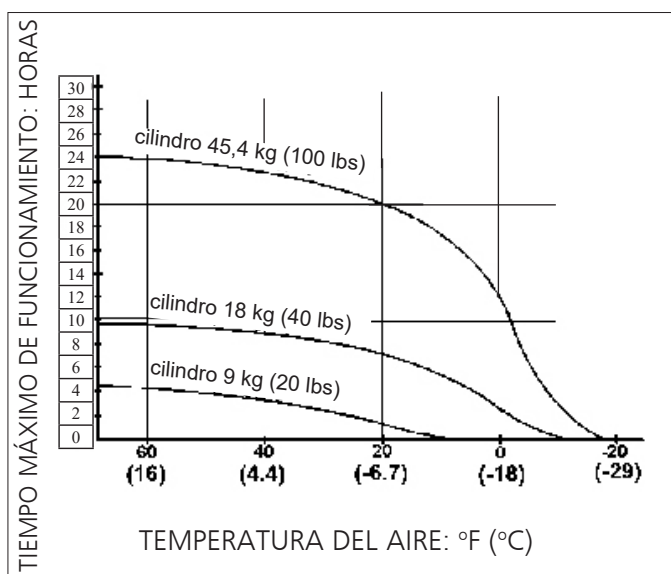
### 60.000 BTU/HR (17,5 kW)



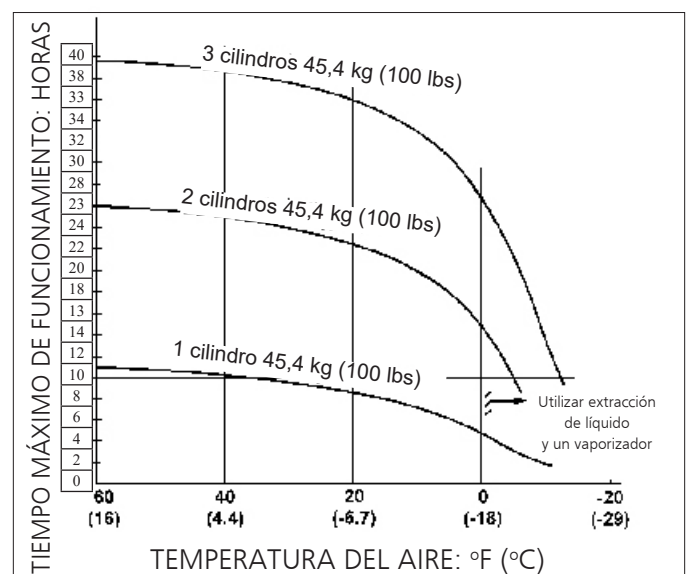
### Gráfico Propano Calentador Cilindro Selección

Pounds of Propane in Cylinder	Maximum continuous BTU Output per Hour at Various Temperature		
	0°	20°	40°
100	113,000	167,000	214,000
90	104,000	152,000	200,000
80	94,000	137,000	180,000
70	83,000	122,000	160,000
60	75,000	109,000	140,000
50	64,000	94,000	125,000
40	55,000	79,000	105,000
30	45,000	66,000	85,000
20	36,000	51,000	69,000
10	28,000	38,000	49,000

### 85,000 BTU/HR (24,9 kW)



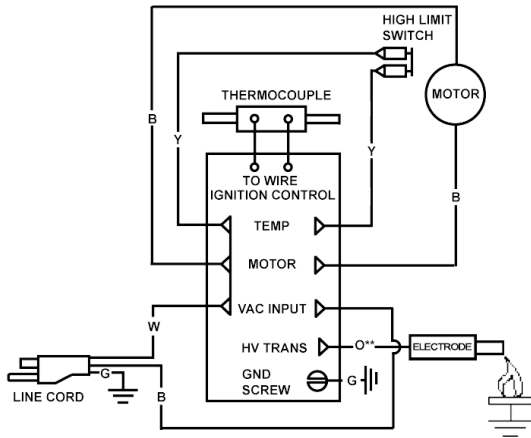
### 125,000 BTU/HR (36,6 kW)



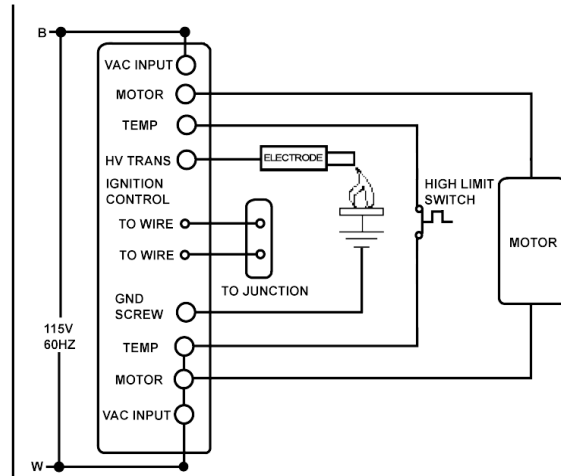
**DIAGRAMA DE CABLEADO**

**WIRING DIAGRAMS MH60QFAV & MH85QFAV**

CONNECTION DIAGRAM



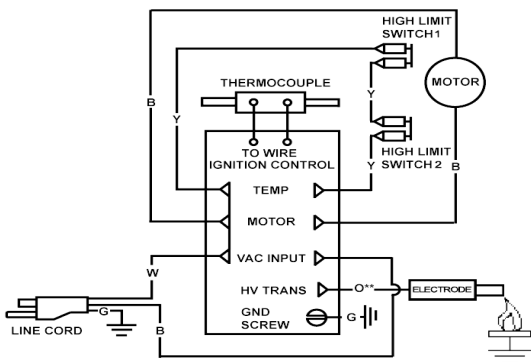
SCHEMATIC DIAGRAM



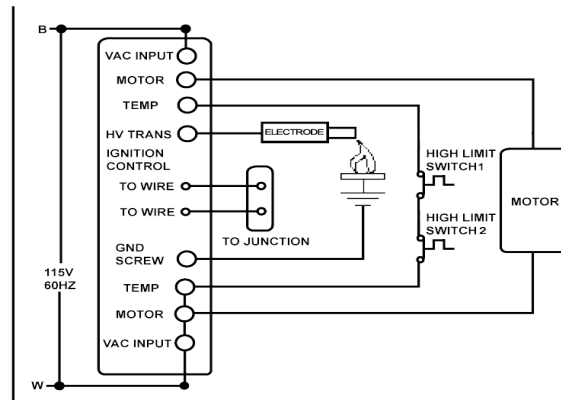
COLOR CODE		LEGEND	
B BLACK	R RED		FEMALE CONN.
W WHITE	Y YEL		RING CONN.
G GREEN	O ORG		

**WIRING DIAGRAMS MH125QFAV**

CONNECTION DIAGRAM



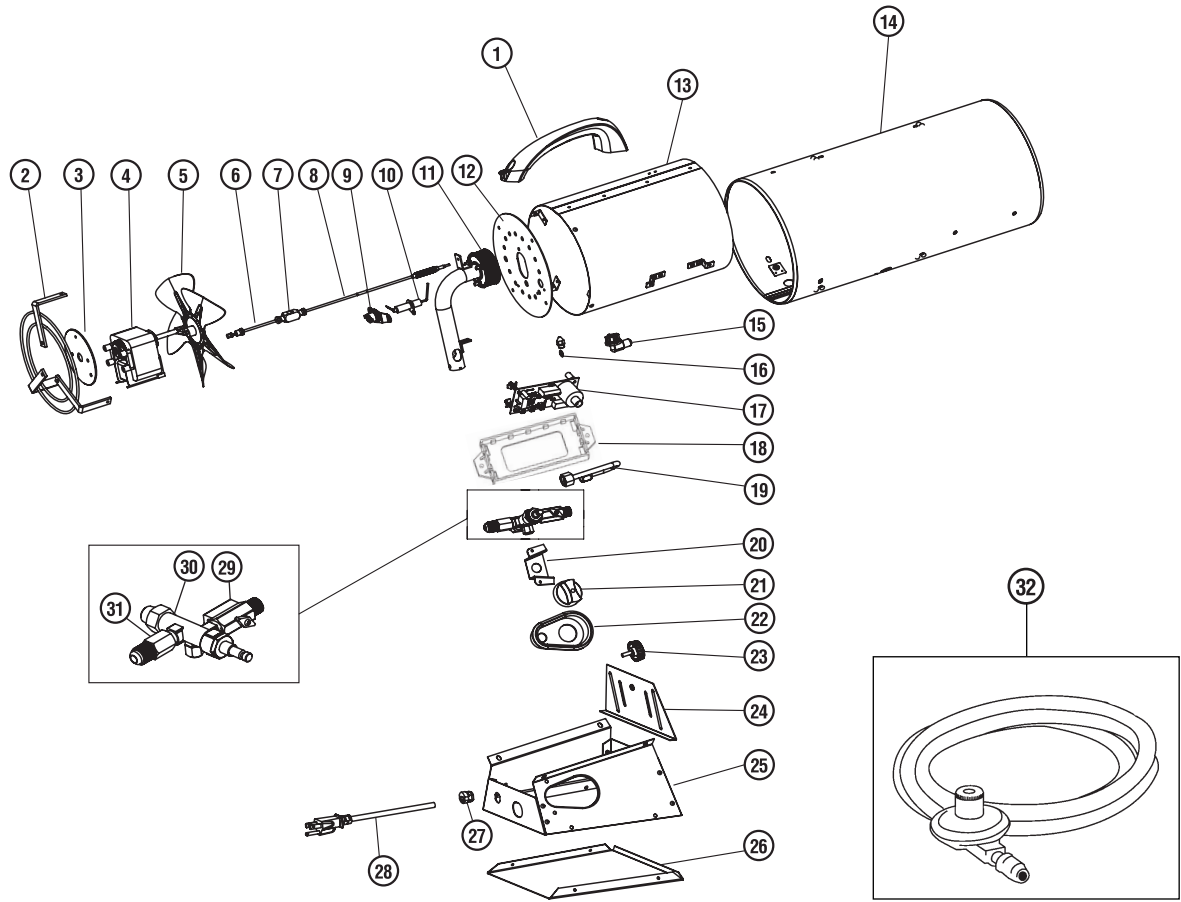
SCHEMATIC DIAGRAM



COLOR CODE		LEGEND	
B BLACK	R RED		FEMALE CONN.
W WHITE	Y YEL		RING CONN.
G GREEN	O ORG		

# ¡NUNCA DEJE EL CALENTADOR DESATENDIDO MIENTRAS SE QUEMA!

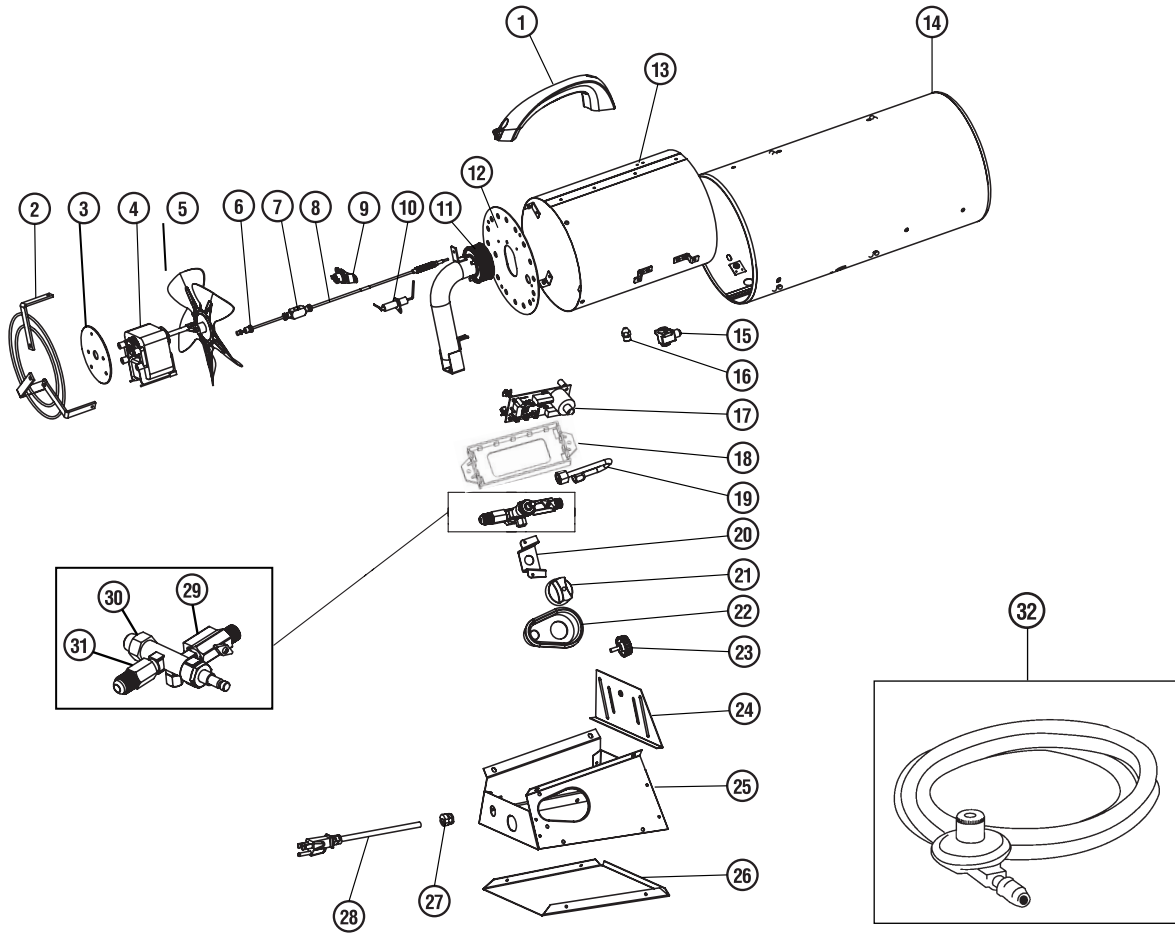
## Calentador de propano a aire forzado para construcción • Modelo MH60QFAV



REF.#	ITEM#	DESCRIPTION	QTY.	REF.#	ITEM#	DESCRIPTION	QTY.
1	27925	Manija	1	17	27002	Módulo de ignición/relé	1
2	27443	Cubierta posterior	1	18	27003	Cubierta de la placa de encendido	1
3	40701	Soporte, montaje del motor	1	19	27452	Tubo de combustible	1
4	21652	Motor	1	20	27453	Soporte, plástico, inserto	1
5	26086	Paletas del ventilador	1	21	25027	Perilla, variable, válvula	1
6	26656	Termocupla, conector	1	22	27093	Inserto, plástico, controles	1
7	26134	Bloque de compresión, relé	1	23	25026	Perilla de elevacion	1
8	26655	Termocupla de 10"	1	24	27454	Placa de elevacion	1
9	27445	Control de límite superior	1	25	27001	Conjunto de la caja de control	1
10	40904	Electrodo, ignición	1	26	27456	Base, metal, panel inferior	1
11	27446	La unidad del quemador	1	27	26223	Casquillo de alivio de la tensión	1
12	27447	Mecanismo de soporte de la llama	1	28	21036	Cable de alimentación	1
13	27448	Pantalla, radiación	1	29	27457	Válvula, variable	1
14	27449	Cascara externa	1	30	27285	Válvula, gas, principal	1
15	27450	Titular de orificio	1	31	26127	Adaptador, conector macho	1
16	27451	Orificio	1	32	27493M	Manueras y el regulador (10 'Long)	1

# ¡NUNCA DEJE EL CALENTADOR DESATENDIDO MIENTRAS SE QUEMA!

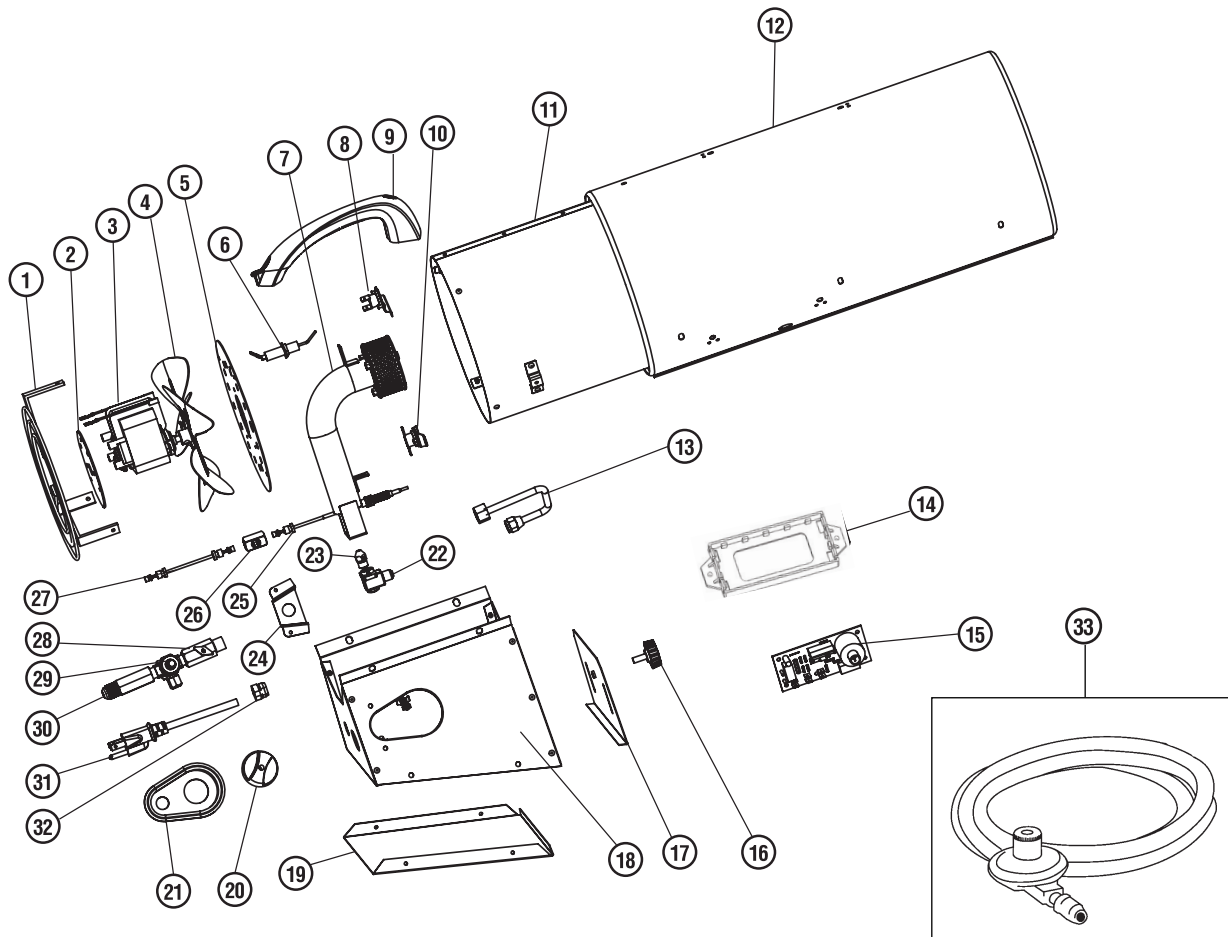
## Calentador de propano a aire forzado para construcción • Modelo MH85QFAV



REF.#	ITEM#	DESCRIPTION	QTY.	REF.#	ITEM#	DESCRIPTION	QTY
1	27925	Manija	1	17	27002	Módulo de ignición/relé	1
2	27443	Cubierta posterior	1	18	27003	Cubierta de la placa de encendido	1
3	40701	Soporte, montaje del motor	1	19	21656	Tubo de combustible	1
4	21652	Motor	1	20	27453	Soporte, plástico, inserto	1
5	26086	Paletas del ventilador	1	21	25027	Perilla, variable, válvula	1
6	26656	Termocupla, conector	1	22	27093	Inserto, plástico, controles	1
7	26134	Bloque de compresión, relé	1	23	25026	Perilla de elevación	1
8	26655	Termocupla de 10"	1	24	27454	Placa de elevación	1
9	27439	Control de límite superior	1	25	27001	Conjunto de la caja de control	1
10	40904	Electrodo, ignición	1	26	27456	Base, metal, panel inferior	1
11	27486	La unidad del quemador	1	27	26223	Casquillo de alivio de la tensión	1
12	27485	Mecanismo de soporte de la llama	1	28	21036	Cable de alimentación	1
13	27448	Pantalla, radiación	1	29	27489	Válvula, variable	1
14	27449	Cascara externa	1	30	27285	Válvula, gas, principal	1
15	40900	Titular de orificio	1	31	26127	Adaptador, conector macho	1
16	27487	Orificio	1	32	27493M	Mangueras y el regulador (10' Long)	1

# ¡NUNCA DEJE EL CALENTADOR DESATENDIDO MIENTRAS SE QUEMA!

## Calentador de propano a aire forzado para construcción • Modelo MH125QFAV



REF.#	ITEM#	DESCRIPTION	QTY.	REF.#	ITEM#	DESCRIPTION	QTY.
1	27459	Cubierta posterior Cubierta posterior	1	17	27467	Placa de elevacion	1
2	40897	Panel, reverdo de guardia	1	18	27004	Conjunto de la caja de control	1
3	21652	Motor	1	19	27469	Base, metal, panel inferior	1
4	26086	Paletas del ventilador	1	20	25027	Perilla, variable, válvula	1
5	40909	Mecanismo de soporte de la llama	1	21	27093	Inserto, plástico, controles Inserto, plástico, controles	1
6	40904	Electrodo, ignición	1	22	40900	Titular de orificio	1
7	27471	La unidad del quemador	1	23	40899	Orifíce	1
8	40913	Control de límite superior	1	24	27453	Soporte, plástico, inserto	1
9	27925	Handle, carry, plastic	1	25	26655	Termocupla de 10"	1
10	40914	Control de límite superior	1	26	26134	Bloque de compresión, relé	1
11	27472	Pantalla, radiación	1	27	26656	Termocupla, conector	1
12	27466	Cascara externa	1	28	40902	Válvula, variable	1
13	27473	Tubo de combustible	1	29	27285	Válvula, gas, principal	1
14	27003	Cubierta de la placa de encendido	1	30	40905	Adaptador, conector macho	1
15	27002	Módulo de ignición/relé	1	31	21036	Cable de alimentación	1
16	25026	Perilla de elevacion	1	32	26223	Casquillo de alivio de la tensión	1
				33	27493M	Mangueras y el regulador (10 'Long)	1



**⚠ADVERTENCIA**

**Peligro para la calidad del aire**

- No utilice este calefactor para calentar viviendas de personas.
- El uso de calefactores a fuego directo en lugares de construcción puede causar una exposición a niveles de CO, CO<sub>2</sub> y NO<sub>2</sub> considerados como peligrosos para la salud y potencialmente letales.
- No lo utilice en áreas sin ventilación.
- Conozca los signos de envenenamiento por CO y CO<sub>2</sub>.
  - Dolor de cabeza, picazón en los ojos
  - Mareo, desorientación
  - Dificultad para respirar, sentirse sofocado
- Se debe proporcionar aire de ventilación exterior adecuado (OSHA 29 CFR 1926.57) como para mantener la combustión y una calidad de aire aceptable de acuerdo con la norma OSHA 29 CFR Parte 1926.154, con los requisitos de seguridad para dispositivos y equipos de calefacción temporarios y portátiles utilizados en la industria de la construcción (ANSI A10.10) o con las normas de instalación para gas natural y propano (CSA B149.1).
  - Controle periódicamente los niveles de CO, CO<sub>2</sub> y NO<sub>2</sub> presentes en el lugar de la construcción (como mínimo, al principio del turno de trabajo y luego de 4 horas).
  - Proporcione aire de ventilación exterior, ya sea de forma natural o mecánica, como sea necesario para mantener una calidad aceptable del aire interior.

	EE.UU.: Promedio ponderado de 8 horas (OSHA 29 CFR 1926.55 App A)	Canadá: Promedio ponderado de 8 horas Recomendaciones WorkSafe BC OHS Parte 5.1 y Reglamentaciones para lugares de trabajo de Ontario 833
CO	50 partes por millón	25 partes por millón
CO <sub>2</sub>	5000 partes por millón	5000 partes por millón
NO <sub>2</sub>		3 partes por millón (Reg 833)
	EE.UU.: Límite superior (Límite de exposición por corto tiempo = 15 minutos)	Canadá: STEL (15 minutos Reglamentación 833/1 hora WSBC) Recomendaciones WorkSafe BC OHS Parte 5.1 y Reglamentaciones para lugares de trabajo de Ontario 833
CO		100 partes por millón
CO <sub>2</sub>		15000 partes por millón (WSBC) 30000 partes por millón (Reg 833)
NO <sub>2</sub>	5 partes por millón	1.0 partes por millón (WorkSafeBC) 5.0 partes por millón (Reg 833)

- Asegúrese de que no obstruya el flujo de aire necesario para la combustión y para el aire de ventilación.
- A medida que el edificio se vuelve "más cerrado" durante las etapas de construcción, podría ser necesario aumentar la ventilación.

La instalación de este artefacto a alturas de más de 2000 pies (610 m) debe realizarse de acuerdo con las normas locales, y en caso de no existir, de acuerdo con la norma nacional para gas combustible (ANSI Z223.1/NFPA 54), con las normas nacionales de Canadá o con las normas de instalación para gas natural y propano (CSA B149.1)

El calefactor se envió desde la fábrica configurado para funcionar con gas propano.



# INSTRUCCIONES DE USO Y MANUAL DEL USUARIO

Modelo #

MH60QFAV

MH85QFAV

MH125QFAV

**LEA CUIDADOSAMENTE LAS INSTRUCCIONES:** lea y siga todas las instrucciones. Consérvelas en un lugar seguro para futura referencia. No permita que nadie que no haya leído estas instrucciones arme, encienda, ajuste o use el calentador.



**ADVERTENCIA:** UTILICE ÚNICAMENTE REPUESTOS DEL FABRICANTE. EL USO DE CUALQUIER OTRO REPUESTO PUEDE CAUSAR LESIONES O LA MUERTE. LOS REPUESTOS SÓLO ESTÁN DISPONIBLES DIRECTAMENTE DE FÁBRICA Y DEBEN SER INSTALADOS POR UNA AGENCIA DE REPARACIÓN CALIFICADA.

## INFORMACIÓN PARA REALIZAR PEDIDOS DE PIEZAS:

**COMPRAS:** Los accesorios pueden comprarse en cualquier distribuidor local de Mr. Heater, o directamente de la fábrica.

### PARA OBTENER INFORMACIÓN SOBRE EL MANTENIMIENTO

Llame al número gratuito 800-251-0001 • [www.mrheater.com](http://www.mrheater.com)

Nuestro horario de atención es de lunes a viernes de 08:00 a 17:00, hora del Este.

En todas las comunicaciones recuerde incluir el número de modelo, la fecha de compra y la descripción del problema.

### GARANTÍA LIMITADA

La empresa garantiza que este producto no presenta imperfecciones de material o mano de obra cuando se usa normal y debidamente de acuerdo con las instrucciones de la Empresa, por un período de un año desde la fecha de entrega al comprador. La Empresa, según su criterio, reparará o cambiará los productos devueltos por el comprador a la fábrica, con transporte prepago dentro de dicho período de un año y cuando la Empresa determine que los productos tienen imperfecciones de material o mano de obra.

Si una pieza falta o está dañada, comuníquese con el Departamento de servicio técnico llamando al 800-251-0001.

Envíe los Reclamos de garantía al Departamento de mantenimiento: Mr. Heater, Inc., 4560 W. 160TH ST., CLEVELAND, OHIO 44135. Incluya su nombre, dirección y número de teléfono, así como los detalles relativos al reclamo. Además, infórmenos la fecha de compra y el nombre y la dirección del vendedor del producto.

La información precedente constituye el alcance total de la responsabilidad de la Empresa. No existe ningún otro tipo de garantía, explícita ni implícita. En particular, no existen garantías de aptitud para un fin específico ni comercialización. La Empresa no será responsable en ninguna circunstancia por el retraso causado por las imperfecciones, los daños indirectos o los cargos de cualquier tipo de gasto realizado sin el consentimiento de la empresa por escrito. La única solución por el incumplimiento de la garantía será el pago de los costos de reparación o cambio. No existe ninguna garantía por problemas similares y ninguna garantía implícita derivada de la negociación o el uso comercial. Esta garantía no será válida para ningún producto que haya sido reparado o alterado fuera de la fábrica de cualquier manera que en nuestra opinión afecte su estado o funcionamiento.

En algunos estados está prohibida la exclusión o limitación de los daños fortuitos o indirectos, por eso es posible que la limitación o exclusión anterior no se aplique a su caso. Esta Garantía le confiere derechos legales específicos y es posible que usted tenga otros derechos que varían según el estado.

Mr. Heater, Inc. se reserva el derecho de realizar cambios en cualquier momento, sin aviso u obligación, en los colores, las especificaciones, los accesorios, los materiales y los modelos.

REGISTRO DEL PRODUCTO: Gracias por su compra.

Inicie sesión en <http://www.egiregistration.com> para registrar su producto.



**Intertek**

ENERCO GROUP, INC., 4560 W. 160TH ST., CLEVELAND, OHIO 44135 • 800-251-0001

Mr. Heater es una marca comercial registrada de Mr. Heater, Inc.

© 2021, Mr. Heater. Todos los derechos reservados.

# GUIDE D'UTILISATION ET MANUEL DU PROPRIÉTAIRE



## APPAREIL DE CHAUFFAGE AU PROPANE À AIR PULSÉ POUR CHANTIER DE CONSTRUCTION

Avec la NOUVELLE TECHNOLOGIE DE  
BRÛLEUR SILENCIEUX

Modèle #

MH60QFAV  
MH85QFAV  
MH125QFAV

**LISEZ SOIGNEUSEMENT LES INSTRUCTIONS :** Lisez et observez toutes les instructions. Conservez ces instructions dans un endroit sécuritaire pour vous y référer ultérieurement. Ne permettez pas à quiconque n'ayant pas lu les présentes instructions d'assembler, d'allumer, de régler ou de faire fonctionner l'appareil.



**⚠ AVERTISSEMENT :** Le fait de ne pas respecter les instructions données dans le présent guide avec exactitude risque d'entraîner une explosion ou un incendie causant des dommages matériels, des blessures et des pertes de vie.

- N'entreposez ni n'utilisez d'essence ou autres liquides ou vapeurs inflammables à proximité de ce type d'appareil.
- Aucune bonbonne de propane liquéfié non raccordée pour utilisation ne doit se trouver à proximité de cet appareil, ni d'aucun autre appareil.
- EN PRÉSENCE D'UNE ODEUR DE GAZ
  - Ne tentez pas d'allumer l'appareil de chauffage.
  - Éteignez toute flamme nue.
  - Fermez l'alimentation en gaz à l'appareil.
- L'entretien doit être effectué par un fournisseur de services d'entretien qualifié.

Cet appareil de chauffage portatif alimenté au gaz n'est pas ventilé. Il utilise l'oxygène de l'air ambiant. Une circulation d'air adéquate doit être assurée pour la combustion et la ventilation. Voir page 3.

**⚠️ AVERTISSEMENT :** VOTRE SÉCURITÉ PERSONNELLE ÉTANT IMPORTANTE POUR TOUS, VEUILLEZ LIRE LES INSTRUCTIONS AVANT D'UTILISER CET APPAREIL DE CHAUFFAGE.

**AVERTISSEMENT GÉNÉRAL DE DANGER :**

- ⚠️ LE NON-RESPECT DES MESURES DE PRÉVENTION ET INSTRUCTIONS FOURNIES AVEC CET APPAREIL DE CHAUFFAGE RISQUE DE CAUSER LA MORT, DES BLESSURES GRAVES ET DES DOMMAGES OU DES PERTES MATÉRIELLES RÉSULTANT D'INCENDIE, D'EXPLOSION, DE BRÛLURE, D'ASPHYXIE, D'INTOXICATION AU MONOXYDE DE CARBONE OU D'ÉLECTROCUTION.
- ⚠️ SEULES LES PERSONNES APTES À COMPRENDRE ET À RESPECTER LES INSTRUCTIONS DEVRAIENT UTILISER OU EFFECTUER L'ENTRETIEN DE CET APPAREIL DE CHAUFFAGE.
- ⚠️ SI VOUS AVEZ BESOIN D'AIDE OU D'INFORMATION AU SUJET DE L'APPAREIL DE CHAUFFAGE (MANUEL D'INSTRUCTIONS, ÉTIQUETTES, ETC.), VEUILLEZ COMMUNIQUER AVEC LE FABRICANT.

**⚠️ AVERTISSEMENT :** NON CONÇU POUR UNE UTILISATION DANS LA MAISON OU UN VÉHICULE RÉCRÉATIF

**⚠️ AVERTISSEMENT:** DANGER D'INCENDIE, D'EXPLOSION ET D'INHALATION CONSERVEZ LES MATÉRIAUX COMBUSTIBLES TELS QUE LES MATÉRIAUX DE CONSTRUCTION, LE PAPIER ET LE CARTON À UNE DISTANCE SÉCURITAIRE DE L'APPAREIL DE CHAUFFAGE COMME LE RECOMMANDENT LES INSTRUCTIONS. N'UTILISEZ JAMAIS L'APPAREIL DE CHAUFFAGE DANS UN LOCAL QUI CONTIENT OU RISQUE DE CONTENIR DES PARTICULES COMBUSTIBLES EN SUSPENSION DANS L'AIR OU DES PRODUITS TELS QUE DE L'ESSENCE, DES SOLVANTS, DU DILUANT À PEINTURE, DES PARTICULES DE POUSSIÈRE OU DES PRODUITS CHIMIQUES INCONNUS.

**⚠️ AVERTISSEMENT:** CE PRODUIT PEUT VOUS EXPOSER À PLOMB ET COMPOSÉS DE PLOMB, IDENTIFIÉ PAR L'ÉTAT DE CALIFORNIE COMME POUVANT CAUSER LE CANCER. LAVEZ-VOUS LES MAINS APRÈS AVOIR MANIPULÉ CE PRODUIT. POUR DE PLUS AMPLES INFORMATIONS, PRIÈRE DE CONSULTER [WWW.P65WARNINGS.CA.GOV](http://WWW.P65WARNINGS.CA.GOV).

**⚠️ AVERTISSEMENT:** Les carburants utilisés dans les appareils à des produits chimiques, notamment le benzène, connu en Californie pour causer le cancer et causer des malformations congénitales ou d'autres problèmes de reproduction. [www.P65Warnings.ca.gov](http://www.P65Warnings.ca.gov).

**TABLE DES MATIÈRES**

SPÉCIFICATIONS ..... 2

AVERTISSEMENTS..... 2

PRÉCAUTIONS LIÉES AU FONCTIONNEMENT..... 3

PRÉCAUTIONS LIÉES À LA SÉCURITÉ..... 4

AVERTISSEMENT LIÉ AUX SUBSTANCES ODORANTES ..... 5

INSTRUCTIONS DE FONCTIONNEMENT..... 6

ENTRETIEN..... 6

TABLEAU DE DIMENSIONS ET CONTENANCES ..... 7

SCHÉMAS DE CÂBLAGE..... 8

PIÈCES POUR LE MODÈLE 55FAV ..... 9

PIÈCES POUR LE MODÈLE 60FAV ..... 9

PIÈCES POUR LE MODÈLE 85FAV ..... 9

PIÈCES POUR LE MODÈLE 125FAV ..... 9

GARANTIE ..... 11

**LANGUES**

Anglais ..... 1-12




Epagno..... 1-12

▶ Français..... 1-12

**INFORMATIONS GÉNÉRALES**

CONSERVER CE MANUEL POUR FUTURE RÉFÉRENCE. POUR QUESTIONS, DES PROBLÈMES, DES PIÈCES MANQUANTES AVANT RETOUR AU CONCESSIONNAIRE S'IL VOUS PLAÎT APPEL DU MODÈLE ET NUMÉRO DE SÉRIE DE CHAUFFAGE: 1-800-251-0001 DU LUNDI AU VENDREDI 8-5 PM HEURE DE L'EST OU COURRIER ÉLECTRONIQUE À M.. CHAUFFAGE SITE WEB: [WWW.MRHEATER.COM](http://WWW.MRHEATER.COM)

Afin de fournir le meilleur service possible Mr. Heater est maintenant de vous donner plus de moyens pour entrer en contact avec nous:

-  FACEBOOK: Retrouvez-nous sur facebook
-  TWITTER: Retrouvez-nous sur twitter
-  YouTube: Il ya maintenant des vidéos d'information sur YouTube

SITE WEB: gamme complète de produits de Mr. Heater sont maintenant à: [WWW.MRHEATER.COM](http://WWW.MRHEATER.COM)

## SPÉCIFICATIONS

**ATTENTION: Pour une utilisation avec propane seulement  
NE PAS UTILISER AVEC LES CONDUITES**

Model:	MH60QFAV	MH85QFAV	MH125QFAV
Tension: BTU	30,000 - 60,000 Btu/Hr	50,000 - 85,000 Btu/Hr	75,000 - 125,000 Btu/Hr
Kilowatts	(8.8 - 17.5 kW)	(14.6 - 25.0 kW)	(21.9 - 36.6 kW)
Consommation de Carburant	1.4 - 2.8 lbs/hr	2.3 - 3.9 lbs/hr	3.5 - 5.8 lbs/hr
	(0.64 - 1.27 kg/hr)	(1.04 - 1.77 kg/hr)	(1.56 - 2.63 kg/hr)
Pression d'alimentation gaz (à régulateur)	Bouteille Pression Maximale Min. 20 psi (137.kPa)	Bouteille Pression Maximale Min. 20 psi (137.kPa)	Bouteille Pression Maximale Min. 20 psi (137.kPa)
Pression d'alimentation gaz (Régulateur mal)	20 psi (137.9 kPa)	20 psi (137.9 kPa)	20 psi (137.9 kPa)
Entrée Électrique	115V, 60 Hz, 1Ø, 2A Min. Voltage Opérationnel:100V	115V, 60 Hz, 1Ø, 2A Min. Voltage Opérationnel:100V	115V, 60 Hz, 1Ø, 2A Min. Voltage Opérationnel:100V
	230 Watts (W)	230 Watts (W)	230 Watts (W)
Contrôle à haute température	240°F (116°C)	240°F (116°C)	240°F (116°C)
Allumage	Spark Auto / valve manuelle	Spark Auto / valve manuelle	Spark Auto / valve manuelle

\*\*Chaque appareil est livré avec un long tuyau de 10' avec régulateur\*\*

## DIMENSION SPÉCIFICATIONS

Modèle::	Longueur(Pouces)	Largeur (Pouces)	Hauteur(Pouces)	Peser(LBS)
60QFAV	19.75	11.50	14.25	19.00
85QFAV	18.50	11.50	14.00	19.00
125QFAV	21.25	11.75	16.00	22.15

## PRÉCAUTIONS LIÉES AU FONCTIONNEMENT

Cet appareil de chauffage à air pulsé et à feu direct fonctionne au gaz propane. Il est destiné principalement à chauffer temporairement des édifices en construction, en rénovation ou en réparation.

Le gaz propane est plus lourd que l'air. Si du gaz propane fuit d'une connexion ou d'un raccord, il se dirige vers le plancher, se mélange avec l'air ambiant et forme un mélange potentiellement explosif. Évidemment, les fuites de gaz propane devraient être évitées ; il est donc important de raccorder l'alimentation en propane avec le plus grand soin. Veuillez lire le feuillet « Substance odorante et gaz propane » ci-joint pour obtenir plus de précisions relatives à la détection des fuites de gaz propane. Vérifiez la présence de fuite aux nouvelles connexions et raccords en utilisant un mélange d'eau et de savon et suivez les instructions mentionnées. Obtenez également les conseils de votre détaillant quant à votre installation au propane et posez-lui toute question que vous auriez à cet égard.

Cet appareil de chauffage a été conçu et homologué pour être utilisé comme appareil de chauffage pour chantier de construction, conformément à la norme ANSI Z83.7/CGA 2.14. Veuillez vérifier auprès de votre autorité locale sécurité-incendie pour toutes questions concernant vos applications. D'autres normes régissent l'utilisation des gaz combustibles et des produits de combustion lors d'applications spécifiques. Votre autorité locale saura vous conseiller à cet égard.

Le fonctionnement à feu direct de cet appareil signifie que tous les produits de combustion se retrouvent dans l'air ambiant.

Même si l'efficacité de combustion de l'appareil de chauffage est presque complète, il produit quand même de petites quantités de monoxyde de carbone. Le monoxyde de carbone (appelé CO) est toxique. Notre organisme ne peut en supporter que de faibles quantités. Il est possible que le CO s'accumule dans le local à chauffer. Une ventilation inadéquate pourrait ainsi causer la mort. Les symptômes ressentis en cas de ventilation inadéquate sont les suivants :

- mal de tête
- étourdissement
- sensation de brûlure au nez et aux yeux
- nausée
- mal de gorge ou bouche sèche

Assurez-vous donc de respecter les conseils au sujet de la ventilation mentionnés dans ces instructions.

Un appareil à air pulsé signifie que l'air est soufflé dans l'appareil de chauffage par un ventilateur. La qualité de la combustion dépend du débit d'air. Par conséquent, l'appareil de chauffage ne doit pas être modifié ni fonctionner si des pièces sont manquantes. Dans le même ordre d'idées, les systèmes de sécurité ne doivent pas être contournés ni modifiés pour faire fonctionner l'appareil.

Lorsque l'appareil de chauffage doit fonctionner en présence d'autres personnes, l'utilisateur est responsable d'informer ces dernières des instructions et précautions liées à la sécurité et de les avertir des dangers inhérents.

**PRÉCAUTIONS LIÉES À LA SÉCURITÉ**

- Vérifiez attentivement si l'appareil de chauffage a subi des dommages. NE FAITES PAS fonctionner un appareil endommagé.
- NE MODIFIEZ PAS l'appareil de chauffage et ne le faites pas fonctionner s'il n'est plus dans son état d'origine.
- Utilisez uniquement du gaz propane.
- Utilisez uniquement une alimentation au propane à ÉLIMINATION DES ÉMANATIONS. Si vous avez des questions à propos de l'élimination des émanations, consultez votre détaillant de gaz propane.
- Installez les bonbonnes de propane verticalement (robinet de fermeture vers le haut). Fixez-les comme il convient de sorte qu'ils ne puissent se décrocher accidentellement et protégez-les contre les dommages.
- Placez les réservoirs de gaz propane à une distance minimale (aux États-Unis) de 2,13 m (7 pi) ou (au Canada) de 3 m (10 pi) de l'appareil de chauffage et **n'orientez pas** l'échappement directement vers les réservoirs.
- IMPORTANT** : Utilisez uniquement le tuyau et le régulateur fournis avec l'appareil. Faites correspondre la bande de couleur de l'étiquette fixée au tuyau à la couleur de l'étiquette située près du raccord d'entrée de gaz propane sur l'appareil. Inspectez le tuyau avant chaque utilisation de l'appareil de chauffage. En cas d'abrasion, d'usure excessive ou de coupure, remplacez le tuyau par l'ensemble de tuyaux recommandé avant d'utiliser l'appareil de chauffage.
- Pour utilisation intérieure seulement. La ventilation doit être adéquate. **Figure 1.** (voir également « Précautions liées au fonctionnement »).
- Si une odeur de gaz est détectée, **ARRÊTEZ IMMÉDIATEMENT** l'appareil de chauffage jusqu'à ce que la source d'émission du gaz ait été localisée et colmatée. Veuillez lire le feuillet « Substance odorante et gaz propane » ci-joint pour obtenir plus de précisions relatives à la détection des fuites de gaz propane.
- Placez l'appareil de chauffage de façon à ce qu'il ne soit pas exposé directement à l'eau.
- Conservez un écart minimal entre l'appareil et tout matériel combustible (tel que du papier). **Figure 2.**
- En raison des températures élevées de la surface et de l'échappement, les adultes et les enfants doivent respecter les distances de sécurité pour éviter des brûlures et l'inflammation des vêtements.
- Utilisez uniquement sur des surfaces stables et de niveau.
- N'utilisez pas l'appareil avec des conduits d'air. N'obstruez pas l'entrée et la sortie d'air.
- N'utilisez qu'avec l'alimentation électrique spécifiée. Le raccordement électrique et la mise à la terre doivent être conformes au Code national de l'électricité - ANSI/NFPA 70 (aux États-Unis) - et à la norme CSA C22.1, partie 1 du Code canadien de l'électricité (au Canada).
- N'utilisez qu'avec une prise ou une rallonge mise à la terre munie de trois broches.
- Ne déplacez pas l'appareil, ne le touchez pas et n'essayez pas d'en faire l'entretien alors qu'il est chaud.
- Vous ne devez jamais ajuster la hauteur du tube de combustion de l'appareil de chauffage lorsque l'appareil est chaud ou fonctionne. Les réglages de hauteur doivent être faits uniquement lorsque l'appareil n'est pas chaud au toucher.**
- Utilisez l'appareil en observant les codes de sécurité en vigueur localement ou référez-vous aux normes relatives à l'entreposage et à la manutention des produits de pétrole liquéfiés ANSI/NFPA 58 et CSA B149.1 du Code d'installation du gaz naturel et du gaz propane.

**Figure 1**

VENTILATION : Ouvertures minimales requises

Appareil de chauffage	Ouverture près du plancher	Ouverture près du plafond
Air pulsé (55, 60).....	0,1 m <sup>2</sup> (1 pi <sup>2</sup> ) .....	0,1 m <sup>2</sup> (1 pi <sup>2</sup> )
Air pulsé (85, 125).....	0,19 m <sup>2</sup> (2 pi <sup>2</sup> ).....	0,19 m <sup>2</sup> (2 pi <sup>2</sup> )

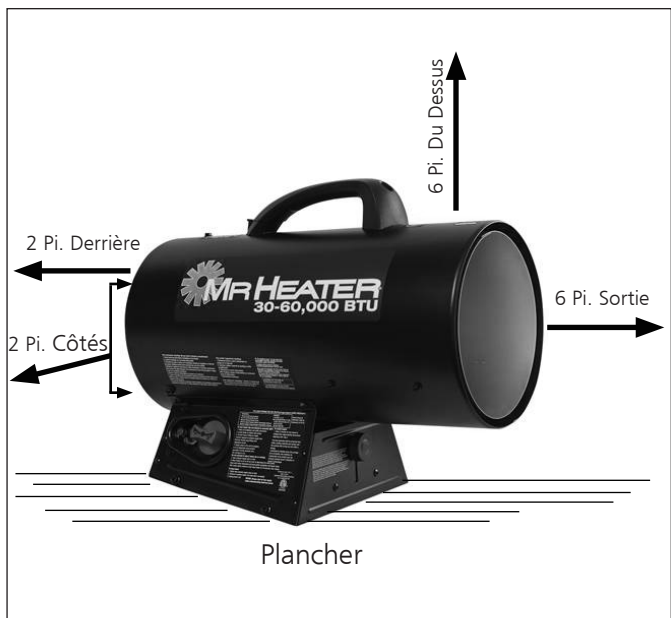
**Figure 2**

ÉCART MINIMUM : entre l'appareil et tout matériel combustible.

Écart	Air pulsé 60, 85, 125 Du
Plancher.....	0 m (0 pi)
De la sortie .....	1,8 m (6 pi)
Des côtés.....	0,6 m (2 pi)
Du dessus .....	0,9 m (6 pi)

Placez l'appareil à 3 m (10 pi) des bâches et des revêtements similaires, et fixez-les afin d'empêcher tout battement ou mouvement causé par le vent.

**Figure 2 Schéma de Dégagement**



## AVERTISSEMENT LIÉ AUX SUBSTANCES ODORANTES

### AVERTISSEMENT

#### ⚠ Risque d'asphyxie

- Cet appareil ne doit pas être utilisé pour le chauffage de locaux où demeurent des gens.
- Ne l'utilisez pas dans des endroits non aérés.
- Le débit de chaleur et d'air de ventilation ne doit pas être obstrué.
- Le processus de combustion de cet appareil exige un apport adéquat en air de ventilation.
- Consultez la rubrique portant sur les spécifications techniques dans le manuel de l'appareil ou sur la plaque de données de l'appareil, ou communiquez avec le fabricant pour obtenir les renseignements relatifs aux exigences en apport d'air de ventilation pour la combustion.
- Le processus de combustion ne peut s'effectuer correctement si l'apport en air de ventilation est insuffisant.
- Une combustion inadéquate produit des émanations nocives de monoxyde de carbone pouvant entraîner des troubles de santé graves, voire mortels. Les symptômes d'empoisonnement au monoxyde de carbone sont les maux de tête, les étourdissements et la difficulté respiratoire.

## ODEUR DE GAZ COMBUSTIBLE

**Des additifs odorants ont été ajoutés au gaz propane liquéfié et au gaz naturel dans le but de faciliter la détection de fuites. Vous devriez remarquer une odeur de gaz combustible s'il y a une fuite. Comme le gaz propane (liquéfié) est plus lourd que l'air, l'odeur de gaz se détecte plus facilement près du sol. TOUTE ODEUR DE GAZ EST UN SIGNAL QU'IL FAUT INTERVENIR IMMÉDIATEMENT !**

- Ne prenez aucune mesure qui provoquerait l'allumage des vapeurs de gaz. N'utilisez aucun interrupteur électrique. Ne tirez sur aucune source d'alimentation électrique ou rallonge électrique. N'allumez pas d'allumettes ni aucune source de flamme. N'utilisez pas votre téléphone.
- Faites évacuer immédiatement toute personne se trouvant dans l'immeuble.
- Fermez tous les robinets d'alimentation du réservoir de gaz propane (liquéfié) ou de la bonbonne, ainsi que le robinet d'alimentation principale situé sur le compteur, si vous utilisez du gaz naturel.
- Le gaz propane (liquéfié) est plus lourd que l'air et peut s'accumuler dans les endroits près du sol. Si vous croyez qu'il y a une fuite de gaz propane, éloignez-vous des endroits plus bas.
- Utilisez le téléphone d'un voisin et communiquez avec votre fournisseur en gaz combustible et votre service d'incendies. Ne retournez pas dans l'immeuble ou dans le secteur.
- N'entrez pas dans l'immeuble et restez-en à l'écart jusqu'à ce que le personnel du service des incendies ou le fournisseur en gaz combustible ait confirmé que l'endroit ne comporte aucun risque.
- EN DERNIER LIEU, laissez le personnel du service des incendies ou d'approvisionnement en gaz combustible vérifier si du gaz s'échappe. Assurez-vous qu'ils aient aéré l'immeuble avant d'y retourner. Le personnel d'entretien expérimenté doit colmater toute fuite, vérifier la présence d'autres fuites, puis se charger d'allumer l'appareil pour vous.

## SUBSTANCE ODORANTE AUCUNE ODEUR DÉCELÉE

- Certaines personnes ne détectent pas bien les odeurs. Il est donc possible que certaines personnes ne puissent sentir la substance odorante ajoutée au gaz propane (liquéfié) ou au gaz naturel. Vous devez savoir si vous arrivez à déceler l'odeur de cette substance dans le gaz combustible.
- Apprenez à reconnaître l'odeur du gaz propane et celle du gaz naturel. Pour ce faire, les détaillants de gaz propane (liquéfié) locaux seront heureux de vous fournir un feuillet comprenant une pastille à humer. Servez-vous de cette pastille pour vous aider à reconnaître l'odeur de gaz combustible.
- Le tabagisme peut nuire à votre faculté olfactive. Votre facilité à déceler une odeur quelconque peut s'estomper si vous demeurez un certain temps dans un endroit où cette odeur est présente. La présence d'animaux dans des endroits clos peut aussi masquer l'odeur du gaz combustible.
- **La substance odorante contenue dans le gaz propane (liquéfié) et le gaz naturel est incolore et, selon certaines circonstances, son odeur pourrait s'estomper.**
- En cas de fuite souterraine, le déplacement du gaz dans le sol peut filtrer l'odeur.
- L'intensité de l'odeur du gaz propane (liquéfié) peut varier à différents niveaux. Étant donné que le gaz propane (liquéfié) est plus lourd que l'air, l'odeur peut être plus prononcée à des niveaux inférieurs.
- **Portez toujours attention à la moindre odeur de gaz.** Si une odeur de gaz persiste, même si elle est minime, agissez comme s'il s'agissait d'une fuite importante. Intervenez immédiatement tel que décrit précédemment.

## ATTENTION POINTS ESSENTIELS À RETENIR !

- Le gaz propane (liquéfié) dégage une odeur particulière. Apprenez à reconnaître cette odeur. Consultez les rubriques Odeur du gaz combustible et Substance odorante, ci-dessus.
- Même si vous n'avez pas été formé pour effectuer l'entretien et la réparation de l'appareil, soyez TOUJOURS attentif aux odeurs que dégagent le gaz propane (liquéfié) et le gaz naturel.
- Si vous n'êtes pas formé pour procéder à l'entretien et à la réparation des appareils au gaz propane (liquéfié), ne tentez pas d'allumer l'appareil, de le réparer ou de l'entretenir, ni d'apporter des réglages au système d'alimentation en gaz propane de l'appareil.
- Peu importe les conditions, une bonne pratique de sécurité consiste à sentir de temps à autre autour de l'appareil, des raccords, du tuyau et autres éléments. Si vous décelez la moindre odeur de gaz, COMMUNIQUEZ IMMÉDIATEMENT AVEC VOTRE FOURNISSEUR EN GAZ COMBUSTIBLE. N'ATTENDEZ PAS !

## INSTRUCTIONS DE FONCTIONNEMENT

### AVANT LE FONCTIONNEMENT

1. Vérifiez soigneusement tout dommage qu'aurait pu subir l'appareil de chauffage pendant l'expédition. Si vous en découvrez, avertissez *immédiatement* le fabricant.
2. Respectez toutes les « Précautions ».
3. Branchez le raccord POL (filet à gauche) du tuyau et du régulateur en tournant l'écrou POL en sens anti-horaire dans la sortie du robinet de la bonbonne de gaz propane, puis serrez-le avec une clé.
4. Raccordez le tuyau à l'appareil de chauffage en tournant le raccord en sens horaire.
5. Serrez fermement toutes les connexions de gaz.
6. Ouvrez le robinet de gaz de la bonbonne et vérifiez toutes les connexions au moyen d'un mélange d'eau et de savon. N'UTILISEZ PAS DE FLAMME.
7. Raccordez le cordon d'alimentation à une source d'alimentation électrique de 115 V, 60 Hz, 1 Ø, mise à la terre correctement.
8. Lorsque vous utilisez une rallonge électrique, assurez-vous que celle-ci comporte trois fils (mis à la terre) de dimension appropriée.

### DÉMARRAGE

1. Avant d'allumer l'appareil de chauffage, laissez toujours le ventilateur de l'appareil fonctionner pendant 20 secondes pour éliminer le gaz combustible.
2. Ouvrez lentement le robinet principal de la bouteille de propane.
3. Enfoncez le bouton du robinet de gaz pour allumer le chauffage.
4. Une fois le brûleur allumé, gardez le bouton du robinet de gaz enfoncé pendant 15 secondes avant de le relâcher, et l'appareil de chauffage restera en fonction.
5. Réglez le taux de combustion avec le clapet à bille au réglage souhaité.
6. L'allumeur fonctionne tant que le cordon d'alimentation est branché
  - a) L'allumeur est continuellement en marche
7. Aucun thermostat n'est disponible pour ces unités.

### ARRÊT

1. Fermez le robinet sur la bonbonne de gaz propane.
2. Laissez l'appareil fonctionner jusqu'à ce que tout le gaz dans le tuyau ait brûlé.
3. Débranchez le cordon d'alimentation.

### REDÉMARRAGE APRÈS UN ARRÊT D'URGENCE

1. Fermez complètement le robinet sur la bonbonne de gaz propane. Débranchez l'appareil de chauffage.
2. Attendez cinq minutes.
3. Recommencez la procédure « Démarrage ».

## ENTRETIEN ET ENTREPOSAGE

1. L'appareil de chauffage doit être vérifié avant chaque utilisation et au moins une fois par année par un technicien qualifié.
2. Avant chaque utilisation, vérifiez l'assise du joint torique souple à la partie arrondie du raccord POL (filet à gauche). Si le joint torique est coupé, usé ou endommagé de quelque façon, remplacez-le par la pièce n° 73786.
3. Coupez l'alimentation en gaz propane liquéfié quand l'appareil n'est pas utilisé.
4. Quand l'appareil de chauffage est rangé à l'intérieur, la connexion entre la bonbonne d'alimentation en gaz propane liquéfié et l'appareil doit être débranchée et la bonbonne doit être retirée de l'appareil et rangée à l'extérieur, tel que précisé au chapitre 5 de la norme relative au rangement et à la manutention des produits de pétrole liquéfiés ANSI/NFPA 58 et CSA B149.1 du Code d'installation du gaz naturel et du gaz propane.

## ENTRETIEN

Un appareil de chauffage qui a été modifié ou qui ne fonctionne pas correctement risque d'être une cause de dangers. Lorsqu'il fonctionne correctement :

- La flamme reste dans l'appareil de chauffage.
- La flamme a une teinte bleue avec des pointes de couleur jaune.
- Il n'y a pas de forte odeur désagréable, ni de sensation de brûlure aux yeux, ni de malaise physique en général.
- Il n'y a pas de production de fumée ou de suie à l'intérieur ou à l'extérieur de l'appareil de chauffage.
- Il ne se produit pas d'arrêts imprévus ou inexplicables de l'appareil.

La liste des pièces et le schéma de câblage présentent l'appareil de chauffage tel qu'il a été construit. N'utilisez pas un appareil de chauffage qui diffère de ce qui est illustré. N'utilisez à cet effet que le tuyau, le régulateur et le raccord de bonbonne (appelé raccord POL) fournis avec l'appareil de chauffage. **IMPORTANT :** Faire correspondre la bande de couleur de l'étiquette fixée au tuyau à la couleur de l'étiquette située près du raccord d'entrée de gaz propane. N'utilisez aucun élément de substitution. Sur cet appareil de chauffage, le régulateur doit être réglé tel qu'indiqué à la rubrique « Spécifications ». Si vous avez un doute au sujet du réglage du régulateur, faites-le vérifier.

Si un appareil de chauffage *ne fonctionne pas* correctement, il doit être réparé, mais *seulement* par un technicien formé et expérimenté.

Les produits couverts par la garantie seront réparés sans frais, pièces et main-d'œuvre comprises. Veuillez joindre une courte description de la nature du problème avec la date, le lieu et la preuve d'achat.

Les produits non couverts par la garantie seront réparés aux frais (pièces et main-d'œuvre) du client.

## RÉGLAGE EN HAUTEUR DE L'APPAREIL DE CHAUFFAGE

Cet appareil est équipé d'un panneau de réglage en hauteur situé à l'extrémité de l'échappement du boîtier de contrôle.

1. Ne pas régler la hauteur du tube de combustion de l'appareil de chauffage quand l'appareil est en marche ou est encore chaud. Les réglages de hauteur ne doit être faits qu'après que le chauffage soit froid au toucher.
2. Pour régler la hauteur du tube de combustion de l'appareil de chauffage, tournez le bouton de la vis de réglage dans le sens anti-horaire et soulevez le tube de combustion à la position désirée.



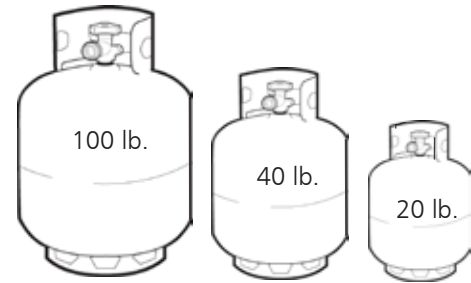
**TABLEAU DE DIMENSIONS ET CONTENANCES DES BONBONNES DE GAZ PROPANE REQUISES**

Les tableaux qui suivent indiquent la taille approximative de la bonbonne de gaz requise pour ces appareils de chauffage. Pour utiliser le tableau :

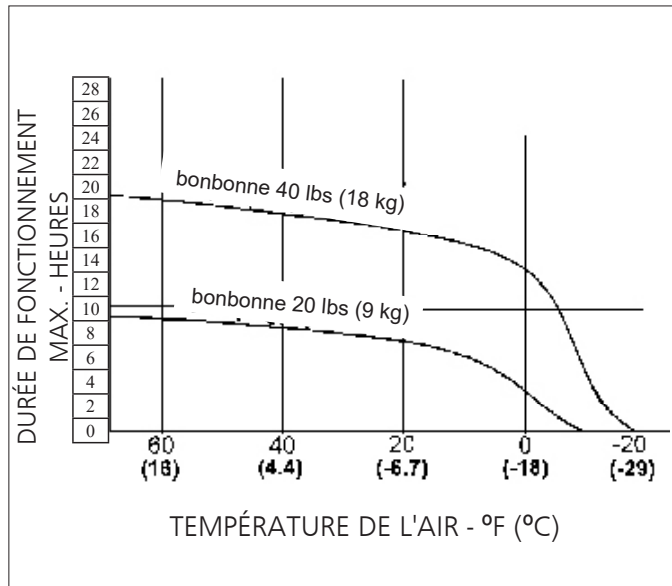
1. Sélectionnez la température de l'air la plus basse prévue (au bas du tableau).
2. Allez ensuite directement au haut du tableau au temps d'utilisation désiré (côté gauche du tableau).
3. Notez la dimension de la bonbonne requise.

Tous les appareils de chauffage doivent :  
 être munis de bonbonne pleine  
 disposer d'une bonne circulation d'air  
 ne présenter aucun signe de givre

**PROPANE TAUX / LP vaporation (100LBS par bouteille de propane)**



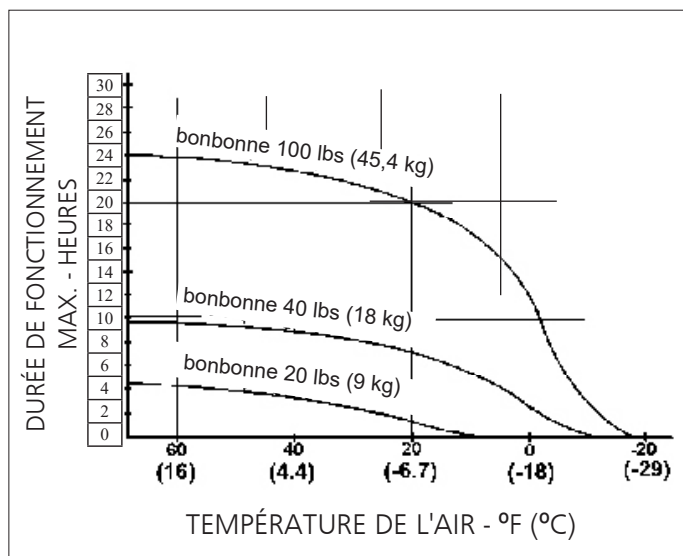
**60 000 BTU/H (17,5 kW)**



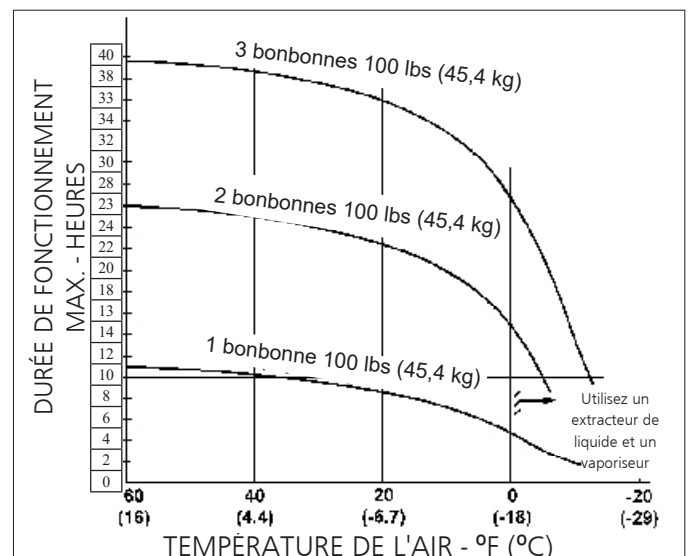
**Tableau Radiateur au propane sélection Cylindre**

Pounds of Propane in Cylinder	Maximum continuous BTU Output per Hour at Various Temperature		
	0°	20°	40°
100	113,000	167,000	214,000
90	104,000	152,000	200,000
80	94,000	137,000	180,000
70	83,000	122,000	160,000
60	75,000	109,000	140,000
50	64,000	94,000	125,000
40	55,000	79,000	105,000
30	45,000	66,000	85,000
20	36,000	51,000	69,000
10	28,000	38,000	49,000

**85 000 BTU/H (24,9 kW)**



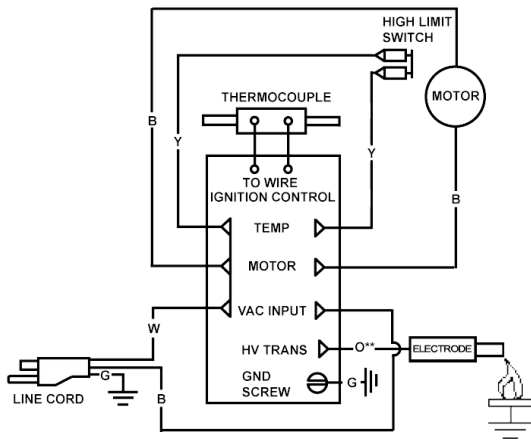
**125 000 BTU/H (36,6 kW)**



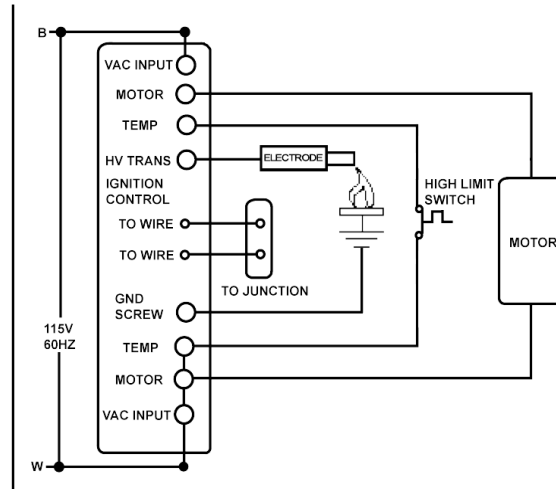
**SCHEMA DE CÂBLAGE**

**WIRING DIAGRAMS MH60QFAV & MH85QFAV**

CONNECTION DIAGRAM



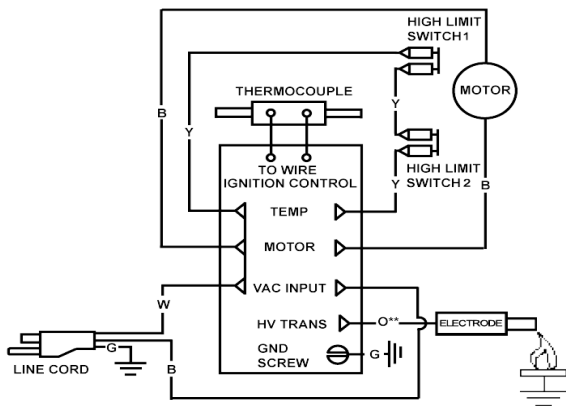
SCHEMATIC DIAGRAM



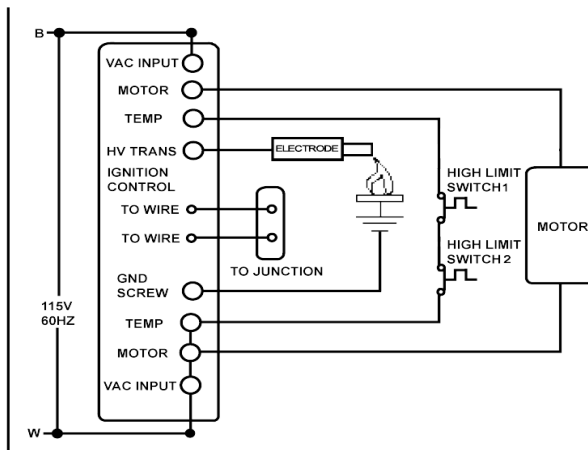
COLOR CODE		LEGEND	
B	BLACK	R	RED
Y	YEL	Y	YEL
W	WHITE	O	ORG
G	GREEN		
		⏏	FEMALE CONN.
		⊙	RING CONN.

**WIRING DIAGRAMS MH125QFAV**

CONNECTION DIAGRAM



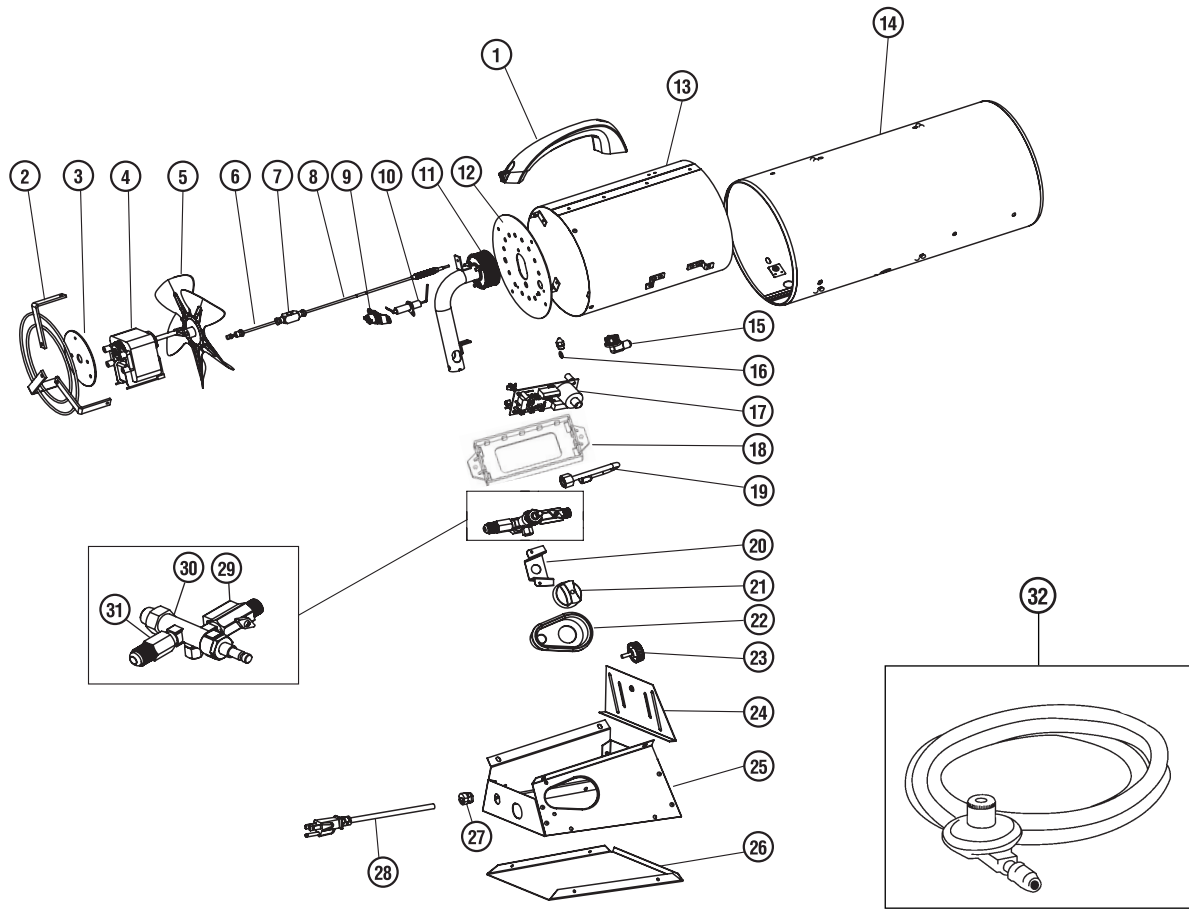
SCHEMATIC DIAGRAM



COLOR CODE		LEGEND	
B	BLACK	R	RED
Y	YEL	Y	YEL
W	WHITE	O	ORG
G	GREEN		
		⏏	FEMALE CONN.
		⊙	RING CONN.

# NE JAMAIS LAISSER LE CHAUFFAGE SANS SURVEILLANCE PENDANT LE BRÛLAGE!

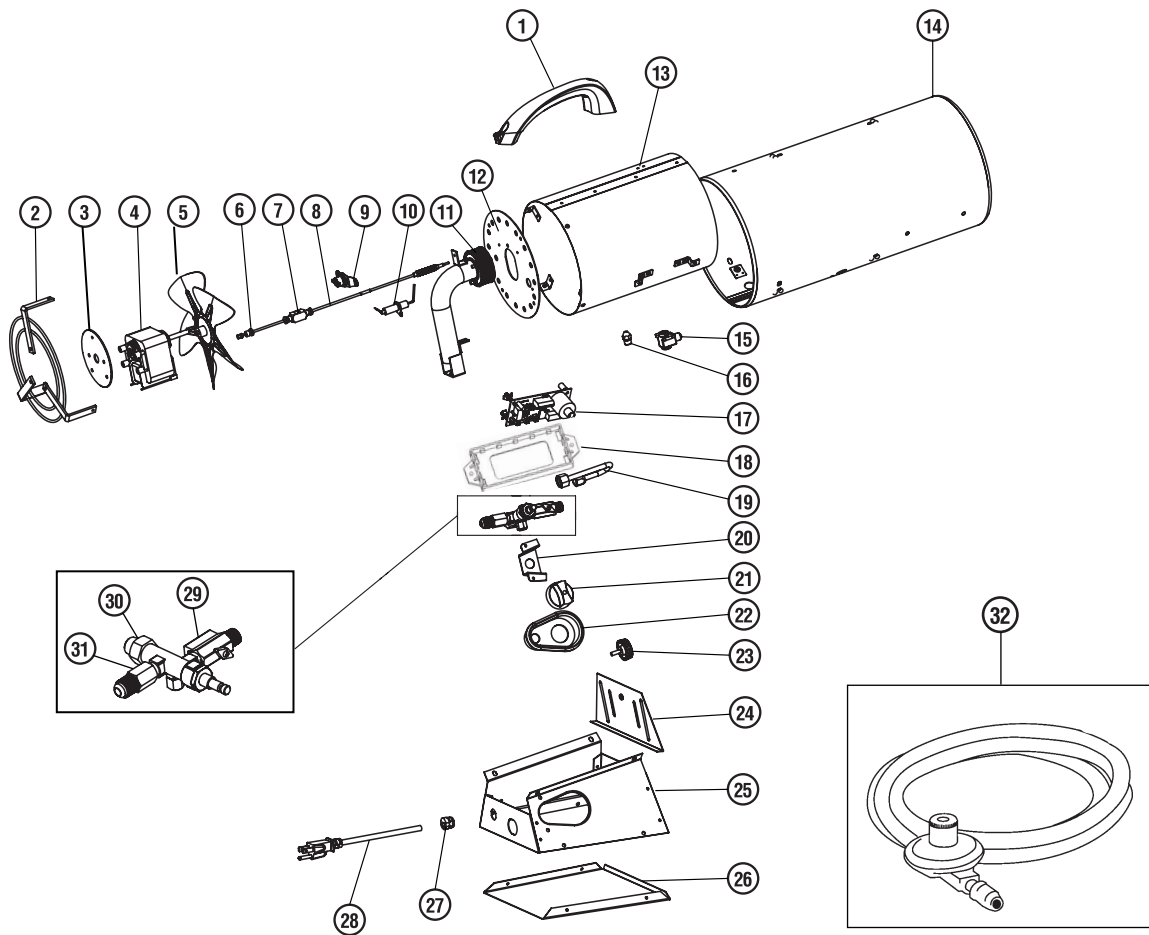
## Appareil de chauffage à air pulsé au gaz propane pour chantier de construction • modèle MH60QFAV



REF.#	ITEM#	DESCRIPTION	QTY.	REF.#	ITEM#	DESCRIPTION	QTY
1	27925	Poignée	1	17	27002	Module d'allumage/de relais	1
2	27443	Garde, arrière, assemblage	1	18	27003	Couvercle de la carte d'allumage	1
3	40701	Support, montage du moteur	1	19	27452	Assemblage du tube de combustible	1
4	21652	Moteur, assemblage	1	20	27453	Support, plastique, inséré	1
5	26086	Pale du ventilateur	1	21	25027	Bouton, variable, valve	1
6	26656	Thermocouple, connecteur	1	22	27093	Inséré, plastique, contrôles	1
7	26134	Bloc de compression, relais	1	23	25026	Bouton d'elevation	1
8	26655	Thermocouple, 10 po	1	24	27454	Plaque Altitude	1
9	27445	Assemblage de contrôle de la limite supérieure	1	25	27001	La boîtier de commande assemblage	1
10	40904	Électrode, allumage, assemblage	1	26	27456	Base, métal, bas, panneau	1
11	27446	Assemblage de brûleurs	1	27	26223	Passe-fil	1
12	27447	Assemblage du support de flamme	1	28	21036	Cordon d'alimentation	1
13	27448	Radiation, écran, assemblage	1	29	27457	Valve, variable, assemblage	1
14	27449	Enveloppe extérieure	1	30	27285	Valve, gaz, principal	1
15	27450	Titulaire de orifice	1	31	26127	Ftg, connecteur mâle	1
16	27451	Orifice	1	32	27493M	Tuyaux et du régulateur (10 'Long)	1

# NE JAMAIS LAISSER LE CHAUFFAGE SANS SURVEILLANCE PENDANT LE BRÛLAGE!

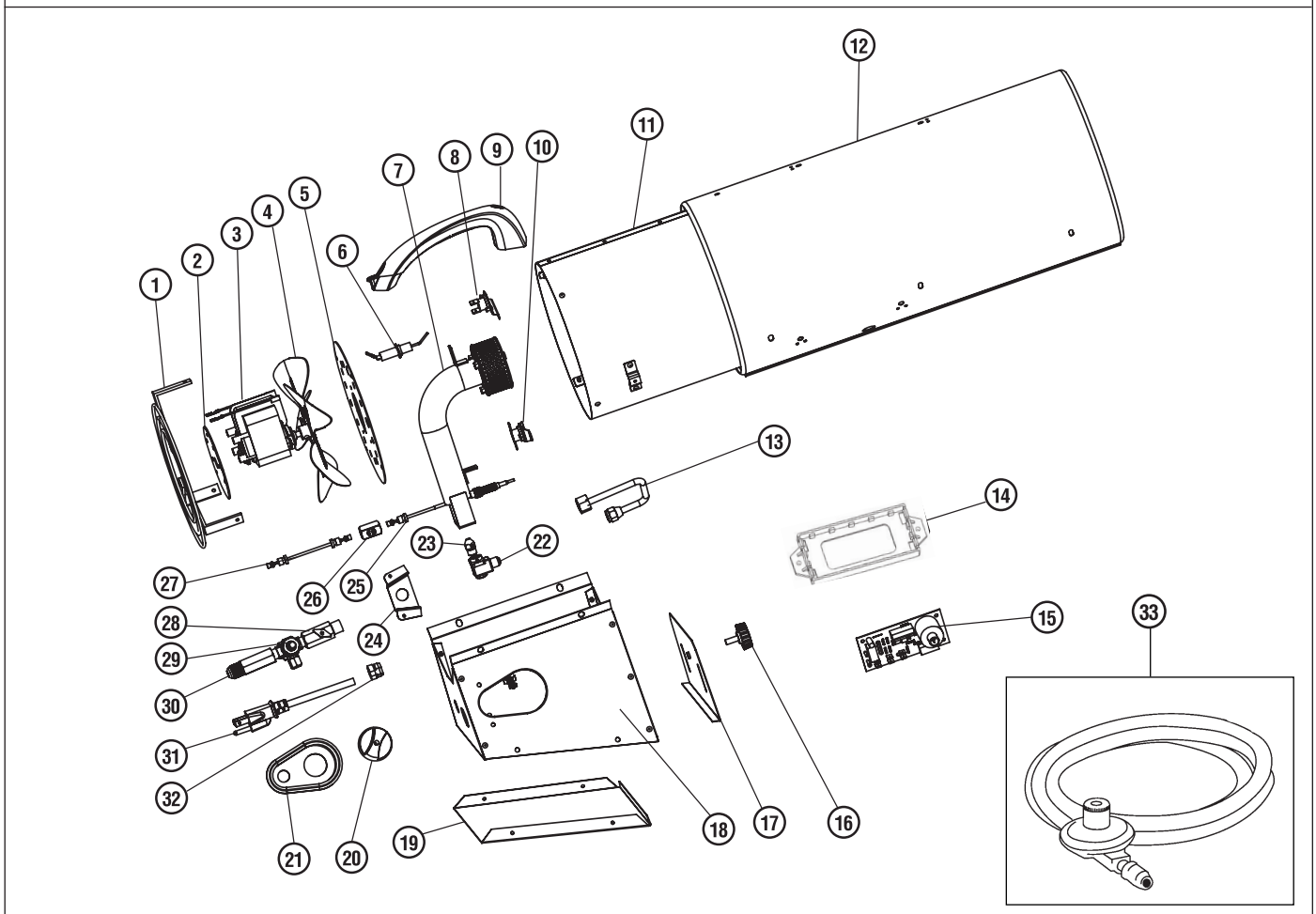
## Appareil de chauffage à air pulsé au gaz propane pour chantier de construction • modèle MH85QFAV



REF.#	ITEM#	DESCRIPTION	QTY.	REF.#	ITEM#	DESCRIPTION	QTY
1	27925	Poignée	1	17	27002	Module d'allumage/de relais	1
2	27443	Garde, arrière, assemblage	1	18	27003	Couvercle de la carte d'allumage	1
3	40701	Support, montage du moteur	1	19	21656	Assemblage du tube de combustible	1
4	21652	Moteur, assemblage	1	20	27453	Support, plastique, inséré	1
5	26086	Pale du ventilateur	1	21	25027	Bouton, variable, valve	1
6	26656	Thermocouple, connecteur	1	22	27093	Inséré, plastique, contrôles	1
7	26134	Bloc de compression, relais	1	23	25026	Bouton d'elevation	1
8	26655	Thermocouple, 10 po	1	24	27454	Plaque Altitude	1
9	27439	Assem. de contrôle de la limite supérieure	1	25	27001	La boitier de commande assemblage	1
10	40904	Électrode, allumage, assemblage	1	26	27456	Base, métal, bas, panneau	1
11	27486	Assemblage de brûleurs	1	27	26223	Passe-fil	1
12	27485	Assemblage du support de flamme	1	28	21036	Cordon d'alimentation	1
13	27448	Radiation, écran, assemblage	1	29	27489	Valve, variable, assemblage	1
14	27449	Enveloppe extérieure	1	30	27285	Valve, gaz, principal	1
15	40900	Titulaire de orifice	1	31	26127	Ftg, connecteur mâle	1
16	27487	Orifice	1	32	27493M	Tuyaux et du régulateur (10 'Long)	1

# NE JAMAIS LAISSER LE CHAUFFAGE SANS SURVEILLANCE PENDANT LE BRÛLAGE!

## Appareil de chauffage à air pulsé au gaz propane pour chantier de construction • modèle MH125QFAV



REF.#	ITEM#	DESCRIPTION	QTY.	REF.#	ITEM#	DESCRIPTION	QTY.
1	27465	Garde, arrière, assemblage	1	17	27467	Plaque Altitude	1
2	40897	Comite, arriere de garde	1	18	27004	Plaque Altitude	1
3	21652	Moteur, assemblage	1	19	27469	Base, métal, bas, panneau	1
4	26086	Pale du ventilateur	1	20	25027	Bouton, variable, valve	1
5	40909	Assemblage du support de flamme	1	21	27093	Support, plastique, inséré	1
6	40904	Électrode, allumage, assemblage	1	22	40900	Support, plastique, inséré	1
7	27471	Assemblage de bruleurs	1	23	40899	Orifice	1
8	40913	Assemblage de contrôle de la limite supérieure	1	24	27470	Inséré, plastique, contrôles	1
9	27925	Poignée	1	25	26655	Thermocouple, 10 po	1
10	40914	Assemblage de contrôle de la limite supérieure	1	26	26134	Bloc de compression, relais	1
11	27472	Radiation, écran, assemblage	1	27	26656	Thermocouple, connecteur	1
12	27466	Enveloppe extérieure	1	28	40902	Valve, variable, assemblage	1
13	27473	Assemblage du tube de combustible	1	29	40844	Valve, gaz, principal	1
14	27003	Couvercle de la carte d'allumage	1	30	40905	Ftg, connecteur mâle	1
15	27002	Conseil, ignition d'étincelle	1	31	21036	Cordon d'alimentation	1
16	25026	Bouton d'elevation	1	32	26223	Passe-fil	1
				33	27493M	Tuyaux et du régulateur (10 'Long)	1

**⚠️ AVERTISSEMENT**

**Danger de la qualité de l'air**

- N'utilisez pas cet appareil de chauffage pour le chauffage des locaux d'habitation humaine.
- L'utilisation des appareils de chauffage direct dans les environnements de construction peut vous exposer à des niveaux de CO, CO<sub>2</sub>, et NO<sub>2</sub>, qui sont considérés comme dangereux pour la santé et potentiellement mortels.
- Ne pas utiliser dans les zones non ventilées.
- Connaissez les signes d'empoisonnement au CO et CO<sub>2</sub>.
  - Maux de tête, brûlure des yeux
  - Vertige, désorientation
  - Difficulté à respirer, sensation d'étouffement
- Un échange d'air de ventilation adéquat (OSHA 29 CFR 1926.57) pour supporter la combustion et maintenir une qualité de l'air acceptable est fournie selon OSHA 29 CFR partie 1926.154, ANSI A10.10 Exigences de sécurité pour les appareils et équipements de chauffage portables et temporaires utilisés dans l'industrie de la construction ou les Codes CSA pour le gaz naturel et le gaz propane CSA B149.1.
  - Surveiller périodiquement les niveaux de CO, de CO<sub>2</sub> et de NO<sub>2</sub> existants sur le site de construction – à tout le moins au début du quart de travail et après 4 heures.
  - Prévoir un échange d'air de ventilation, soit naturel ou mécanique, tel que requis pour maintenir une qualité de l'air intérieur acceptable.

	Moyenne pondérée dans le temps sur 8 heures, États-Unis (OSHA 29 CFR 1926.55 App A)	Moyenne pondérée dans le temps sur 8 heures, Canada Directives SST de WorkSafe BC partie 5.1 et Règlement sur les milieux de travail en Ontario 833
CO	50 parties par million	25 parties par million
CO <sub>2</sub>	5000 parties par million	5000 parties par million
NO <sub>2</sub>		3 parties par million (Reg 833)
	É.-U. - Limite de plafond (limite d'exposition à court terme = 15 minutes)	Directives de SST Canada STEL (15 minutes Rég. 833 / 1 heure WSBC) de WorkSafe BC partie 5.1 et Règlement sur les milieux de travail en Ontario 833
CO		100 parties par million
CO <sub>2</sub>		15000 parties par million (WSBC) 30000 parties par million (Reg 833)
NO <sub>2</sub>	5 parties par million	1.0 parties par million (WorkSafeBC) 5.0 parties par million (Reg 833)

- Assurez-vous que le débit d'échange d'air de combustion et de ventilation ne peut pas être obstrué.
- La ventilation peut devoir être augmentée à mesure que le bâtiment « durcit » lors des phases de construction.

L'installation de cet appareil à une altitude supérieure à 2000 pi (610 m) doit être conforme aux codes locaux, ou en l'absence de codes locaux, le National Fuel Gas Code, ANSI Z223.1/NFPA 54, ou la norme nationale du Canada, le Code pour le gaz naturel et le gaz propane, CSA B149.1.

L'appareil de chauffage a été expédié de l'usine, configuré pour fonctionner au gaz propane.

THIS PAGE INTENTIONALLY LEFT BLANK  
ESTA PÁGINA INTENCIONALMENTE SE DEJA EN BLANCO  
CETTE PAGE A ÉTÉ INTENTIONNELLEMENT LAISSÉE VIERGE



# GUIDE D'UTILISATION ET MANUEL DU PROPRIÉTAIRE

Modèle#  
MH60QFAV  
MH85QFAV  
MH125QFAV

**LISEZ SOIGNEUSEMENT LES INSTRUCTIONS :** Lisez et observez toutes les instructions. Conservez ces instructions dans un endroit sécuritaire pour vous y référer ultérieurement. Ne permettez pas à quiconque n'ayant pas lu les présentes instructions d'assembler, d'allumer, de régler ou de faire fonctionner l'appareil.



**⚠️ AVERTISSEMENT :** N'UTILISEZ QUE LES PIÈCES DE REMPLACEMENT DU FABRICANT. L'UTILISATION D'AUTRES PIÈCES RISQUE DE CAUSER DES BLESSURES ET LA MORT. LES PIÈCES DE REMPLACEMENT NE SONT OFFERTES QUE PAR LE FABRICANT ET DOIVENT ÊTRE INSTALLÉES PAR UNE ENTREPRISE SPÉCIALISÉE.

## INFORMATIONS SUR LA COMMANDE DE PIÈCES :

**ACHAT :** On peut se procurer les accessoires par l'entremise de tous les détaillants locaux Mr. Heater ou directement du fabricant.

### POUR OBTENIR DES INFORMATIONS SUR LE SERVICE

Appelez sans frais au 800-251-0001 • [www.mrheater.com](http://www.mrheater.com)

Nos heures d'ouverture sont de 8 h 00 à 17 h HE, du lundi au vendredi.

Veuillez indiquer le numéro du modèle, la date d'achat et la description du problème dans toutes vos communications avec nous.

### GARANTIE LIMITÉE

L'entreprise garantit ce produit contre tout défaut de matériel ou de main-d'œuvre, dans des conditions d'utilisation normale et adéquate, conformément aux instructions de l'entreprise, pour une période de un an à compter de la date de livraison à l'acheteur. L'entreprise réparera ou remplacera, à sa discrétion, les produits retournés port payé par l'acheteur au fabricant dans la période de un an et jugés par l'entreprise comme présentant des défauts de matériel ou de main-d'œuvre.

Si une pièce est endommagée ou manquante, téléphonez à notre service de soutien technique au 800-251-0001.

Adressez toute réclamation relative à la garantie à Service Department, Mr. Heater, Inc., 4560 W. 160TH ST., CLEVELAND, OHIO 44135 États-Unis. Indiquez vos nom, adresse et numéro de téléphone ainsi que les détails de la réclamation. Indiquez-nous également la date d'achat et le nom et l'adresse du détaillant de qui vous avez acheté le produit.

Ce qui est énoncé ci-dessus constitue la responsabilité totale de l'entreprise. Il n'existe aucune autre garantie, expresse ou tacite. Plus précisément, il n'y a aucune garantie concernant l'adéquation à une utilisation particulière ni aucune garantie concernant la qualité marchande. En aucun cas l'entreprise ne saura être tenue responsable des retards causés par des défauts, ni des dommages indirects, ni des dépenses encourues sans son consentement écrit, quelle que soit leur nature. Le coût de la réparation ou du remplacement sera le seul recours possible en cas de violation de garantie. Il n'y a aucune garantie contre une transgression de ce genre ni aucune garantie tacite découlant des usages du commerce ou de la façon habituelle d'échanger. La présente garantie ne s'applique à aucun produit qui a été réparé ou modifié par d'autres que le fabricant si cela influe de quelque façon que ce soit sur la condition de l'appareil ou son fonctionnement, selon notre jugement.

Certains États ou provinces ne permettent pas d'exclure ou de limiter les dommages indirects ou subséquents. Par conséquent, les limitations ou exclusions ci-dessus mentionnées ne vous concernent peut-être pas. La présente garantie vous accorde des droits juridiques précis, mais vous pourriez avoir d'autres droits qui varient selon la province ou l'État.

Mr. Heater, Inc. se réserve le droit d'effectuer des modifications en tout temps, sans préavis ni obligation, aux couleurs, aux spécifications, aux accessoires, aux matériaux et aux modèles.

**ENREGISTREMENT DU PRODUIT :** Nous vous remercions de votre achat. Veuillez vous connecter à <http://www.egiregistration.com> pour enregistrer votre produit.



**Intertek**

ENERCO GROUP, INC., 4560 W. 160TH ST., CLEVELAND, OHIO 44135 • 800-251-0001  
Mr. Heater est une marque déposée de Mr. Heater, Inc.  
© 2021, Mr. Heater. Tous droits réservés