

*Power***FLO**

Diaphragm Pumps

Diaphragm Pumps & Accessories

Delavan Powerflo Diaphragm pumps offer a wide range of products from 1 gallon per minute to 7 gallons per minute, meeting all your agricultural and industrial needs. Powerflo is available for "Bypass" or "Demand" fluid handling, and also comes ready with threaded and quick attach assemblies.



DELANVAN

Discover the Delavan Difference

PowerFLO

Diaphragm Pumps



2200 SERIES

2200-201 – 1.0 GPM PUMP / 3/8" Hose Barb

Motor:

Type: 12V DC permanent magnet, thermally protected, splashproof.

Connection:

2200-101: 18 AWG 9" long

2200-201: 18 AWG, 4.5" long

2200-201: 18 AWG, 4.5" long

Duty Cycle: Intermittent

Pump:

Type: 2 chamber positive displacement diaphragm pump, self priming, capable of being run dry.

Max Temp: 110°F

Priming Capabilities: 4 feet

Max Pressure: 40 PSI

Pressure Demand Switch: Shut-off: 40 ± 5 PSI,

Turn-On: 25 ± 5 PSI

Inlet/Outlet Ports: 3/8" hose barb

Weight: 1.25lbs

Materials of Construction:

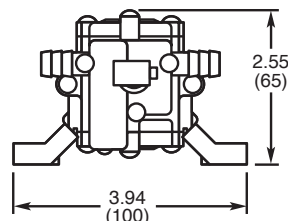
Pump Housing: Polypropylene

Valves: Viton

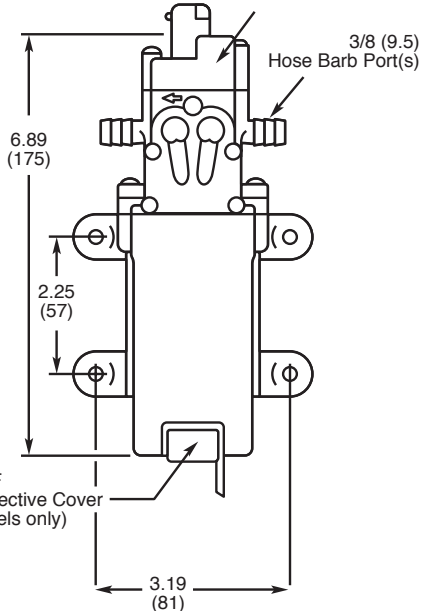
Diaphragm: Santoprene

Fasteners: Stainless Steel and zinc plated

Motor Housing: Nylon 6/6

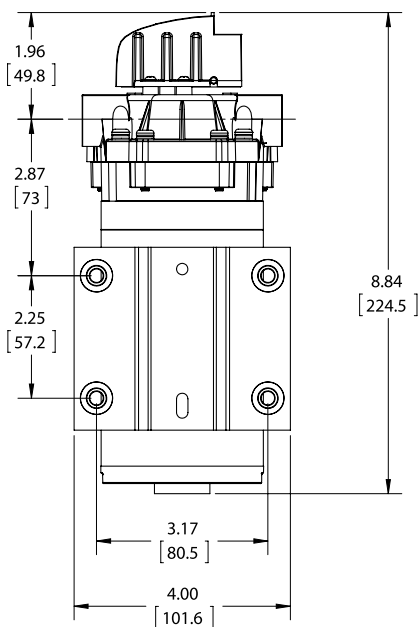
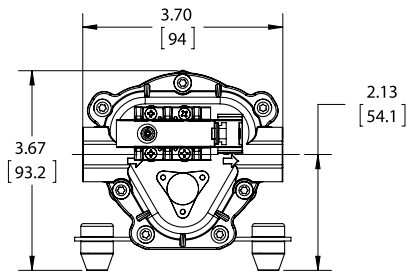


Pressure Demand Switch



2200 Series Performance

PSI	GPM	Amps
0	1.05	1.5
10	0.90	1.9
20	0.80	2.1
30	0.75	2.4
40	0.65	2.6
50	0.60	2.9



7800 SERIES



- 7801 – 1.2 GPM – Quick Attach Ports
 - 7811 – 1.2 GPM – 3/8" Threaded Ports
 - 7802 – 2.0 GPM – Quick Attach Ports
 - 7812 – 2.0 GPM – 3/8" Threaded Ports
 - 7822FS – 2.2 GPM – Quick Attach Ports (Flex Series)
 - 7812-201-SBI* – 2.1 GPM – Threaded Ports, Santoprene Valves
- *Sourced from China

Motor:

Type: 12 VDC permanent magnet, totally enclosed, non-ventilated
 Leads: 14AWG, 12" long

Pump:

Type: 3 chamber positive displacement diaphragm pump,
 self priming, capable of being run dry, demand or bypass modes

Certification: CE Approval

Max Temp: 140°F

Priming Capabilities: 8 feet

Max Pressure: 60 PSI

Inlet/Outlet Ports: 7801/7802: Delavan Quick Attach 5/8"

7811/7812: 3/8" FNPT

Weight: 6lbs

Materials of Construction:

Pump Housing: Polypropylene

Valves: Viton

Diaphragm: Santoprene

Fasteners: Stainless Steel and zinc plated

Motor Shell: Coated Steel

7800 Series Performance

PSI	7801/7811		7802/7812	
	GPM	AMPS	GPM	AMPS
0	1.15	3.0	2.20	3.0
10	1.09	3.7	2.10	3.7
20	1.05	3.9	2.00	3.7
30	1.00	4.3	1.95	4.2
40	0.95	4.8	1.90	4.7
50	.30	5.2	1.80	5.2
60	0.25	5.5	1.75	5.7

PowerFLO

Diaphragm Pumps



5800 Series

- 5830 – 3.0 GPM Pump / Bypass or Demand
- 5836 – 3.6 GPM Pump / Bypass or Demand
- 5840 – 4.0 GPM Pump / Bypass or Demand
- 5850 – 5.0 GPM Pump / Bypass or Demand

Motor:

Type: 12 VDC permanent magnet, totally enclosed, non-ventilated
 Leads: 14AWG, 12" long
 Temperature Limits: Motor is not equipped with thermal protection.
 For user safety, optimal performance, and maximum motor life, the motor surface temperature should not exceed 180°F.

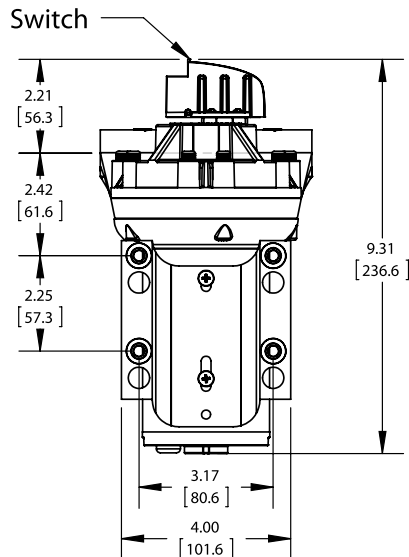
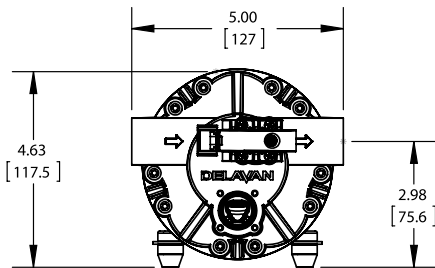
Pump:

Type: 5 chamber positive displacement diaphragm pump, self priming, capable of being run dry, demand or bypass mode, CE Approval upon request.

Max Temp: 140°F
 Priming Capabilities: 14 feet
 Max Pressure: 100 PSI
 Inlet/Outlet Ports:
 1/2" FNPT
 3/4" Delavan Quick Attach
 Weight: 8lbs.

Materials of Construction:

Pump Housing: Polypropylene
 Valves: Viton
 Diaphragm: Santoprene
 Fasteners: Stainless Steel
 Motor Shell: Coated Steel



5800 Series Performance

PSI	5830		5836	
	GPM	AMPS	GPM	AMPS
0	3.5	4.0	3.9	3.9
10	3.2	3.5	3.4	4.0
20	2.8	5.8	3.0	5.9
30	2.65	7.2	2.8	7.2
40	2.45	8.3	2.4	8.9
50	2.2	9.1	2.2	9.9
60	2	9.9	2.0	10.5
PSI	5840		5850	
	GPM	AMPS	GPM	AMPS
0	5.0	4.5	5.8	5.1
10	4.2	4.8	5	6
20	3.8	6.1	4.5	9
30	3.4	7.2	4.1	7.2
40	3.1	9.6	3.8	13
50	2.5	10.1	3.3	14.5
60	2	11.3	3.0	16.3



5900 Series



- 5930 – 3.0 GPM Pump / Bypass or Demand
- 5936 – 3.6 GPM Pump / Bypass or Demand
- 5940 – 4.0 GPM Pump / Bypass or Demand
- 5950 – 5.0 GPM Pump / Bypass or Demand

Motor:

Type: 12 VDC permanent magnet, totally enclosed, non-ventilated
 Leads: 14AWG, 12" long
 Temperature Limits: Motor is not equipped with thermal protection.
 For user safety, optimal performance, and maximum motor life, the motor surface temperature should not exceed 180°F.

Pump:

Type: 5 chamber positive displacement diaphragm pump, self priming, capable of being run dry, demand or bypass mode, CE Approval upon request.

Certifications: NSF Standard 58

Max Temp: 140°F

Priming Capabilities: 14 feet

Max Pressure: 100 PSI

Inlet/Outlet Ports:

1/2" FNPT

3/4" Delavan Quick Attach

Weight: 8lbs.

Materials of Construction:

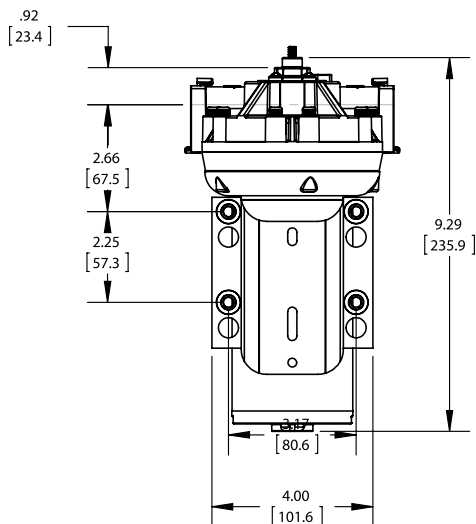
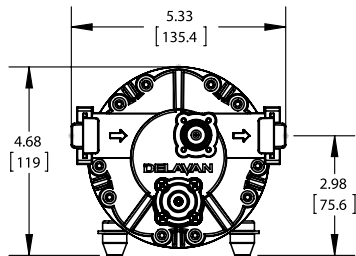
Pump Housing: Polypropylene

Valves: Viton

Diaphragm: Santoprene

Fasteners: Stainless Steel

Motor Shell: Coated Steel

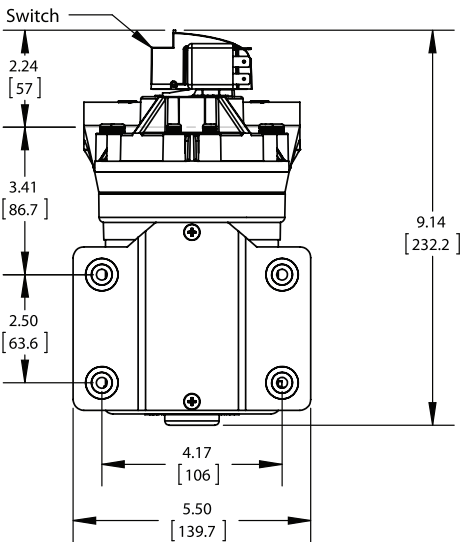
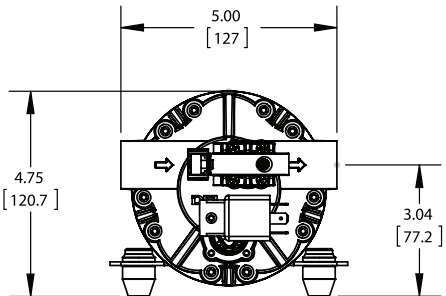


5900 Series Performance

PSI	5830		5836	
	GPM	AMPS	GPM	AMPS
0	3.5	4.0	3.9	3.9
10	3.2	3.5	3.4	4.0
20	2.8	5.8	3.0	5.9
30	2.65	7.2	2.8	7.2
40	2.45	8.3	2.4	8.9
50	2.2	9.1	2.2	9.9
60	2	9.9	2.0	10.5
PSI	5840		5850	
	GPM	AMPS	GPM	AMPS
0	5.0	4.5	5.8	5.1
10	4.2	4.8	5	6
20	3.8	6.1	4.5	9
30	3.4	7.2	4.1	7.2
40	3.1	9.6	3.8	13
50	2.5	10.1	3.3	14.5
60	2	11.3	3.0	16.3

PowerFLO

Diaphragm Pumps



FB2 Series



7870 – 7.0 GPM pump / 1/2" FNPT Ports
7970 – 7.0 GPM pump / Quick Attach Ports

Motor:

Type: 12 VDC permanent magnet, totally enclosed
Leads: 14AWG, 12" long
Temperature Limits: Motor is not equipped with thermal protection. For user safety, optimal performance, and maximum motor life, the motor surface temperature should not exceed 180°F.

Pump:

Type: 5 chamber positive displacement diaphragm pump, self priming, capable of being run dry, demand or bypass modes

Liquid Temperature: 140°F
Priming Capabilities: 14 feet
Max Pressure: 100 PSI
Inlet/Outlet Ports:
1/2" FNPT
3/4" Delavan Quick Attach
Weight: 8lbs

Materials of Construction:

Pump Housing: Polypropylene
Valves: Santoprene
Diaphragm: Santoprene
Fasteners: Stainless Steel
Motor Shell: Coated Steel

FB2 Series Performance

PSI	GPM	AMPS
0	7	14.5
10	6.4	17.2
20	6	19
30	5.6	13
40	5.2	22.5
60	4.8	26
100	2.55	27

Wiring Harness Kits & Miscellaneous Parts

PART #	DESCRIPTION	USED IN
WHK-101SBC	96" 18AWG wire, (2) 80MM Clips, w/ switch, 2 eyelets and butt connector	All PowerFlo Series
WHK-120BC	120" 18AWG wire, (2) 80MM Clips w/ switch	All PowerFlo Series
WHK201-CA	96" 18AWG Wire, on/off switch, car adaptor	All PowerFlo Series
30A82M-RB	(2) 80MM clips, Red and Black	All PowerFlo Series
FBR-102	Relay Switch	FB2 Series



PowerFlo Quick Attach Fittings

Part #	Size	Fitting Type	Used In	Material	Qty.
3DFA38	5/8" QA x 3/8"	HB Straight Fitting w/ O-Ring	7801 / 7802 Series	Nylon	1
3DFA12	5/8" QA x 1/2"	HB Straight Fitting w/ O-Ring	7801 / 7802 Series	Nylon	1
3DFE38	5/8" QA x 3/8"	HB Elbow Fitting w/ O-Ring	7801 / 7802 Series	Nylon	1
3DFE12	5/8" QA x 1/2"	HB Elbow Fitting w/ O-Ring	7801 / 7802 Series	Nylon	1
3DFF38	5/8" QA x 3/8"	FNPT Straight Fitting w/O-Ring	7801 / 7802 Series	Nylon	1
3DFF12	5/8" QA x 1/2"	FNPT Straight Fitting w/O-Ring	7801 / 7802 Series	Nylon	1
5DFA38	3/4"QA X 3/8"	HB Straight Fitting w/ O-Ring	5900 Series, FB2 7970 Series	Nylon	1
5DFA12	3/4"QA X 1/2"	HB Straight Fitting w/ O-Ring	5900 Series, FB2 7970 Series	Nylon	1
5DFE38	3/4"QA X 3/8"	HB Elbow Fitting w/ O-Ring	5900 Series, FB2 7970 Series	Nylon	1
5DFE12	3/4"QA X 1/2"	HB Elbow Fitting w/ O-Ring	5900 Series, FB2 7970 Series	Nylon	1
5DFF38	3/4"QA X 3/8"	FNPT Straight Fitting w/ O-Ring	5900 Series, FB2 7970 Series	Nylon	1
5DFF12	3/4"QA X 1/2"	FNPT Straight Fitting w/ O-Ring	5900 Series, FB2 7970 Series	Nylon	1



REPLACEMENT PARTS



PART #	DESCRIPTION	USED IN
COMPLETE PUMP HEAD ASSEMBLIES		
PH-7811-B	1 GPM, NPT Ports, Bypass	7800 Series
PH-7811-PS	1 GPM, NPT Ports, Demand	7800 Series
PH-7801-B	1 GPM, Quick Attach, Bypass	7800 Series
PH-7801-PS	1 GPM, Quick Attach, Demand	7800 Series
PH-7812-B	2 GPM, NPT Ports, Bypass	7800 Series
PH-7812-D	2 GPM, NPT Ports, Demand	7800 Series
PH-7801-B	1 GPM, Quick Attach, Bypass	7800 Series
PH-7801-PS	1 GPM, Quick Attach, Demand	7800 Series
PH-7802-B	2 GPM, Quick Attach, Bypass	7800 Series
PH-7802-PS	2 GPM, Quick Attach, Demand	7800 Series
PHA-5830-PS	3 GPM, NPT Ports, Demand	5800 Series
PHA-5830-B	3 GPM, NPT Ports, Bypass	5800 Series
PHA-5930-PS	3 GPM, Quick Attach Ports, Demand	5900 Series
PHA-5930-B	3 GPM, Quick Attach Ports, Bypass	5900 Series
PHA-5836-PS	3.6 GPM, NPT Ports, Demand	5800 Series
PHA-5836-B	3.6 GPM, NPT Ports, Bypass	5800 Series
PHA-5936-PS	3.6 GPM, Quick Attach Ports, Demand	5900 Series
PHA-5936-B	3.6 GPM, Quick Attach Ports, Bypass	5900 Series
PHA-5840-PS	4 GPM, NPT Ports, Demand	5800 Series
PHA-5840-B	4 GPM, NPT Ports, Bypass	5800 Series
PHA-5940-PS	4 GPM, Quick Attach Ports, Demand	5900 Series
PHA-5940-B	4 GPM, Quick Attach Ports, Bypass	5900 Series
PHA-5850-PS	5 GPM, NPT Ports, Demand	5800 Series
PHA-5850-B	5 GPM, NPT Ports, Bypass	5800 Series
PHA-5950-PS	5 GPM, Quick Attach Ports, Demand	5900 Series
PHA-5950-B	5 GPM, Quick Attach Ports, Bypass	5900 Series
PHA-7870-PS	7 GPM, NPT Ports, Demand	FB2 Series
PHA-7870-B	7 GPM, NPT Ports, Bypass	FB2 Series
PHA-7970-PS	7 GPM, Quick Attach Ports, Demand	FB2 Series
PHA-7970-B	7 GPM, Quick Attach Ports, Demand	FB2 Series

PART #	DESCRIPTION	USED IN
UPPER HOUSING ASSEMBLIES		
UHA-7802-PS	Quick Attach Ports, Demand	7800 Series
UHA-7812-PS	NPT Ports, Demand	7800 Series
UHA-7802-B	Quick Attach Ports, Bypass	7800 Series
UHA-7812-B	NPT Ports, Bypass	7800 Series
UHA-5800-PS	NPT Ports, Demand	5800 Series
UHA-5800-B	NPT Ports, Bypass	5800 Series
UHA-5900-PS	Quick Attach Ports, Demand	5900 Series
UHA-5900-B	Quick Attach Ports, Bypass	5900 Series
UHA-7800-PS	NPT Ports, Demand	FB2 Series
UHA-7800-B	NPT Ports, Bypass	FB2 Series
UHA-7900-PS	Quick Attach Ports, Demand	FB2 Series
UHA-7900-B	Quick Attach Ports, Bypass	FB2 Series
VALVE HOUSING ASSEMBLIES		
VHA-7800	Valve Plate and Viton Valves	7800 Series
VHA-5800	Valve Plate and Viton Valves	5800 Series, 5900 Series
VHA-7870	Valve Plate and Santoprene Valves	FB2 Series
LOWER HOUSING ASSEMBLIES		
LHA-7801	Diaphragm and bearing, 1 GPM	7800 Series
LHA-7802	Diaphragm and bearing, 2 GPM	7800 Series
LHA-5830	Diaphragm and bearing, 3 GPM	5800 Series, 5900 Series
LHA-5836	Diaphragm and bearing, 3.6 GPM	5800 Series, 5900 Series
LHA-5840	Diaphragm and bearing, 4 GPM	5800 Series, 5900 Series
LHA-5850	Diaphragm and bearing, 5 GPM	5800 Series, 5900 Series
LHA-7870	Diaphragm and bearing, 7 GPM	FB2 Series
REPLACEMENT PRESSURE SWITCHES		
2200-PSW	Pressure Switch	2200 Series
7800-PSW	Pressure Switch	7800 Series
7800-PSW-100	Pressure Switch	5800 Series, 5900 Series, FB2 Series
REPLACEMENT MOTORS		
M12-78B	12 volt motor w/ connector	7800 Series
M12-78C	12 volt motor w/ connector and on/off switch	7800 Series
M70-352-JO	115 volt motor w/ 6' power cord	7800 Series
M12-58B	12 volt motor w/ connector	5800 Series, 5900 Series
M70-563-JDS	12 volt motor for bypass w/ wire leads	5800 Series, 5900 Series
M70-558-JO	115 volt motor w/ 6' power cord	5800 Series, 5900 Series
M12-7870A	12 volt motor w/ wire leads	FB2 Series
HEAT SINKS		
50-075	Heat Sink	7800 Series, 5800 Series, 5900 Series
50-125	Heat Sink	FB2 Series



ORDERING INFORMATION

Item #	GPM	Pump Type	PSI	Vavles	Diaphragm	Ports	Wire Leads	2-pin Molded Connector	Integral On/Off Switch	115 VAC Plug
2200 Series										
2200-201	1	Demand	40	Viton	Santoprene	3/8" Barb		•		
2200-301	1	Demand	40	Viton	Santoprene	3/8" Barb		•	•	
7800 Series										
7801-201	1	Demand	60	Viton	Santoprene	Quick Attach		•		
7811-201	1	Demand	60	Viton	Santoprene	3/8" FNPT		•		
7801-301	1	Demand	60	Viton	Santoprene	Quick Attach		•	•	
7811-301	1	Demand	60	Viton	Santoprene	3/8" FNPT		•	•	
7811-104	1	Demand	60	Viton	Santoprene	3/8" FNPT		•		
7801-111	1	Bypass	60	Viton	Santoprene	Quick Attach	•			
7811-111	1	Bypass	60	Viton	Santoprene	3/8" FNPT	•			
7802-201	2	Demand	60	Viton	Santoprene	Quick Attach		•		
7812-201	2	Demand	60	Viton	Santoprene	3/8" FNPT		•		
(Extreme Duty) 7812ED-201-SB	2	Demand	60	Viton	Geolast®	3/8" FNPT		•		
7802-301	2	Demand	60	Viton	Santoprene	Quick Attach		•	•	
7812-301	2	Demand	60	Viton	Santoprene	3/8" FNPT		•	•	
7812-104	2	Demand	60	Viton	Santoprene	3/8" FNPT				•
7802-111	2	Bypass	60	Viton	Santoprene	Quick Attach	•			
7812-111	2	Bypass	60	Viton	Santoprene	3/8" FNPT	•			
7812-114	2	Bypass	60	Viton	Santoprene	3/8" FNPT				•
(Import) 7812-201-SBI	2	Demand	60	Santoprene	Santoprene	3/8" FNPT		•		
(Retail Boxed) 7822-201-SB	2	Demand	60	Viton	Santoprene	Quick Attach		•		
(Retail Boxed) 7822FS-201-SB	2	Demand	60	Viton	Santoprene	Universal Quick Attach		•		
5800 Series										
5830-201C	3	Demand	45	Viton	Santoprene	1/2" FNPT		•		
5830-201E	3	Demand	60	Viton	Santoprene	1/2" FNPT		•		
5830-301C	3	Demand	45	Viton	Santoprene	1/2" FNPT		•	•	
5830-104C	3	Demand	45	Viton	Santoprene	1/2" FNPT				•
5830-104E	3	Demand	60	Viton	Santoprene	1/2" FNPT				•
5830-111E	3	Bypass	60	Viton	Santoprene	1/2" FNPT	•			
5830-114E	3	Bypass	60	Viton	Santoprene	1/2" FNPT				•
5836-201C	3.6	Demand	45	Viton	Santoprene	1/2" FNPT		•		
5836-301C	3.6	Demand	45	Viton	Santoprene	1/2" FNPT		•	•	
5836-104C	3.6	Demand	45	Viton	Santoprene	1/2" FNPT				•
5836-104E	3.6	Demand	60	Viton	Santoprene	1/2" FNPT				•
5836-111C	3.6	Bypass	45	Viton	Santoprene	1/2" FNPT	•			
5836-111E	3.6	Bypass	60	Viton	Santoprene	1/2" FNPT	•			
5836-114E	3.6	Bypass	60	Viton	Santoprene	1/2" FNPT				•
5840-201C	4	Demand	45	Viton	Santoprene	1/2" FNPT		•		
5840-201E	4	Demand	60	Viton	Santoprene	1/2" FNPT		•		

Item #	GPM	Pump Type	PSI	Vavles	Diaphragm	Ports	Wire Leads	2-pin Molded Connector	Integral On/Off Switch	115 VAC Plug
5840-301C	4	Demand	45	Viton	Santoprene	1/2" FNPT		•	•	
5840-301E	4	Demand	45	Viton	Santoprene	1/2" FNPT		•	•	
5840-104C	4	Demand	45	Viton	Santoprene	1/2" FNPT				•
5840-104E	4	Demand	60	Viton	Santoprene	1/2" FNPT				•
5840-111E	4	Bypass	60	Viton	Santoprene	1/2" FNPT	•			
5840-114E	4	Bypass	60	Viton	Santoprene	1/2" FNPT				•
5850-201C	5	Demand	45	Viton	Santoprene	1/2" FNPT		•		
5850-201E	5	Demand	60	Viton	Santoprene	1/2" FNPT		•		
5850-301C	5	Demand	45	Viton	Santoprene	1/2" FNPT		•	•	
5850-104C	5	Demand	45	Viton	Santoprene	1/2" FNPT				•
5850-104E	5	Demand	60	Viton	Santoprene	1/2" FNPT				•
5850-111E	5	Bypass	60	Viton	Santoprene	1/2" FNPT	•			
5850-114E	5	Bypass	60	Viton	Santoprene	1/2" FNPT				•
5900 Series										
5930-201C	3	Demand	45	Viton	Santoprene	Quick Attach		•		
5930-201E	3	Demand	60	Viton	Santoprene	Quick Attach		•		
5930-301C	3	Demand	45	Viton	Santoprene	Quick Attach		•	•	
5930-301E	3	Demand	60	Viton	Santoprene	Quick Attach		•	•	
5930-111C	3	Bypass	45	Viton	Santoprene	Quick Attach	•			
5930-111E	3	Bypass	60	Viton	Santoprene	Quick Attach	•			
5930-114E	3	Bypass	60	Viton	Santoprene	Quick Attach				•
5936-201C	3.6	Demand	45	Viton	Santoprene	Quick Attach		•		
5936-111E	3.6	Bypass	60	Viton	Santoprene	Quick Attach	•			
5940-201C	4	Demand	45	Viton	Santoprene	Quick Attach		•		
5940-201E	4	Demand	60	Viton	Santoprene	Quick Attach		•		
5940-301C	4	Demand	45	Viton	Santoprene	Quick Attach		•	•	
5940-111C	4	Bypass	45	Viton	Santoprene	Quick Attach	•			
5940-111E	4	Bypass	60	Viton	Santoprene	Quick Attach	•			
5950-201C	5	Demand	45	Viton	Santoprene	Quick Attach		•		
5950-201E	5	Demand	60	Viton	Santoprene	Quick Attach		•		
5950-104E	5	Demand	60	Viton	Santoprene	Quick Attach				•
5950-111C	5	Bypass	45	Viton	Santoprene	Quick Attach	•			
5950-111E	5	Bypass	60	Viton	Santoprene	Quick Attach	•			
5950-114E	5	Bypass	60	Viton	Santoprene	Quick Attach				•
FB2 Series										
7970-101E-SB	7	Demand	60	Viton	Santoprene	Quick Attach	•			
7970-101Y-SB	7	Demand	100	Viton	Santoprene	Quick Attach	•			
7870-101E-SB	7	Demand	60	Viton	Santoprene	1/2" FNPT	•			
7870-101Y-SB	7	Demand	100	Viton	Santoprene	1/2" FNPT	•			
7970-111E-SB	7	Bypass	60	Viton	Santoprene	Quick Attach	•			
7970-111Y-SB	7	Bypass	100	Viton	Santoprene	Quick Attach	•			
7870-111E-SB	7	Bypass	60	Viton	Santoprene	1/2" FNPT	•			
7870-111Y-SB	7	Bypass	100	Viton	Santoprene	1/2" FNPT	•			

Standard Warranty

Delavan Ag Pumps warrants PowerFLO, RollerPRO, HD Magnum, and Turbo-90 Pumps for a period of two years from date of purchase and PowerMax products for a period of three years from date of purchase.

All products sold by Delavan Ag Pumps are warranted only to purchasers from Delavan for resale or for the use in purchasers' own business or original equipment manufacture, against defects in workmanship or materials under normal use, maintenance and service (rental use excluded).

The sole and exclusive obligation of Delavan Ag Pumps under this or any implied warranty shall be to replace or, at its option, to repair, without charge, any product that is determined by Delavan Ag Pumps to be defective in workmanship or materials after the product is returned to the Delavan factory, shipping costs prepaid.

In no event shall Delavan Ag Pumps be liable to any person for indirect or consequential damages or for injury or commercial loss resulting from any use or inability to use any Delavan product. Delavan Ag Pumps expressly negates any other warranty, express or implied, including any warranty of merchantability or fitness for a particular purpose, or arising from any course of dealing or custom or usage of trade.

No person, including any dealer or representative of Delavan Ag Pumps, is authorized to make any representation or warranty on behalf of Delavan Ag Pumps in addition to or inconsistent with these provisions. Purchasers to whom these provisions apply agree to hold Delavan harmless from claims by their customers in excess of the obligations of Delavan expressly set forth herein.

DEHAVAN

Discover the Delavan Difference

=^eZoZg] nf i l 98<'[] ++1[-a\l rgnrñ o^%F tgg^Zi hñ %.-) ,
M&7 * +& , , & * 12[PZq3] * +& , , & +, * [Nhe?k^3] // & , . &+1/
ppp] ^eZoZgZ i nf i l \hf [] ^eZoZgI Ze\ 9] ^eZoZgZ i nf i l \hf