

QUICK ATTACH SNOW PUSHER

OPERATION AND ASSEMBLY MANUAL

INTRODUCTION

TO THE OWNER:

Read this manual before operating your equipment. Keep this manual handy for ready reference. Require all operators to read this manual carefully and become acquainted with all adjustments and operating procedures before attempting to operate the equipment. Replacement manuals can be obtained from your selling dealer.

The equipment you have purchased has been carefully engineered and manufactured to provide dependable and satisfactory use. Like all mechanical products, it will require cleaning and upkeep. Lubricate the unit as specified. Please observe all safety information in this manual and safety decals on the equipment.

Use only genuine service parts. Substitute parts will void the warranty and may not meet the required standards for safe and satisfactory operation.

Throughout this manual, the term **IMPORTANT** is used to indicate that failure to observe procedures can cause damage to equipment. The terms **CAUTION**, **WARNING** and **DANGER** are used in conjunction with the Safety-Alert Symbol, (a triangle with an exclamation mark), to indicate the degree of hazard for items of personal safety.



**This Safety-Alert Symbol indicates a hazard and means ATTENTION!
BECOME ALERT! YOUR SAFETY IS INVOLVED!**



DANGER

Indicates an imminently hazardous situation that, if not avoided, will result in death or serious injury.



WARNING

Indicates a potentially hazardous situation that, if not avoided, could result in death or serious injury, and includes hazards that are exposed when guards are removed.



CAUTION

Indicates a potentially hazardous situation that, if not avoided, may result in minor or moderate injury.

IMPORTANT

Indicates that failure to observe can cause damage to equipment.

NOTE

Indicates helpful information.

TABLE OF CONTENTS

Introduction	2-3
Safety	4-7
Description	8
Attaching	9
Detaching	9
Operation	9
Maintenance	9
Storage	9
Parts	10
Warranty	11

General Information

The purpose of this manual is to assist you in operating and maintaining your quick attach snow pusher for years of service. Read it carefully. The information and instructions in this manual have been compiled from extensive field experience and engineering data. Some information may be general in nature due to unknown and varying operating conditions. However, through experience and these instructions, you should be able to develop procedures suitable to your particular situation.

The illustrations and data used in this manual were current at the time of printing, but due to possible in-line production changes, your machine may vary slightly in detail. We reserve the right to redesign and change the machines as may be necessary without notification.

TRAINING

Safety is a primary concern in the design and manufacturing of our product. Unfortunately, our efforts to provide safe equipment can be wiped out by a single careless act of an operator or bystander.

In addition to the design and configuration of equipment, hazard control and accident prevention are dependent upon the awareness, concern, prudence and proper training of personnel involved in the operation, transport, maintenance and storage of this equipment.

It has been said, "The best safety device is an informed, careful operator." We ask you to be that kind of operator. It is the operator's responsibility to read and understand all safety and operating instructions in the manual and to follow them. Accidents can be avoided.

Working with unfamiliar equipment can lead to careless injuries. Read this manual, and the manual for your loader, skid steer or tractor, before assembly or operating, to acquaint yourself with the machines. If this machine is used by any person other than you, or is loaned or rented, it is the Quick Attach Snow Pusher owner's responsibility to make certain that the owner's manual be available to the operator prior to operating and the operator:

- 1.) Reads and understands the operator's manuals.
- 2.) Is instructed in safe and proper use.

Know your controls and how to stop the loader, skid steer or tractor, engine, and Quick Attach Snow Pusher quickly in an emergency. Read this manual and the one provided with your loader.

Train all new personnel and review instructions frequently with existing workers. Be certain only a properly trained and physically able person will operate the machinery. A person who has not read and understood all operating and safety instructions is not qualified to operate the machine. An untrained operator exposes himself and bystanders to possible serious injury or death. If the elderly are assisting with farm work, their physical limitations need to be recognized and accommodated.

PREPARATION

Never operate the tractor and Quick Attach Snow Pusher until you have read and completely understand this manual, the loader, skid steer or tractors Operator's Manual, and each of the safety messages found on the safety signs on the loader, skid steer or tractor and Quick Attach Snow Pusher.

Personal protection equipment including hard hat, safety glasses, safety shoes, and gloves are recommended during assembly, installation, operation, adjustment, maintenance, repairing, removal, or moving the implement. Do not allow long hair, loose fitting clothing, or jewelry to be around equipment.

PROLONGED EXPOSURE TO LOUD NOISE MAY CAUSE PERMANENT HEARING LOSS! Loader, skid steers or tractors with or without attachments can often be noisy enough to cause permanent, partial hearing loss. We recommend that you wear hearing protection on a full time basis if the noise in the operator's position exceeds 80 db. Noise over 80 db on a long-term basis can cause severe hearing loss. Noise over 90 db adjacent to the operator over a long-term basis may cause permanent, total hearing loss.

NOTE: Hearing loss from loud noise (from loader, tractor, skid steer, chain saws, radios, and other such sources close to the ear) is cumulative over a lifetime without hope of natural recovery.

Operate the Quick Attach Snow Pusher only with a loader equipped with an approved Roll-Over-Protective System (ROPS). Always wear your seat belt. Serious injury or even death could result from falling off the loader — particularly during a turnover when the operator could be pinned under the ROPS or the loader.

Operate only in daylight or good artificial light. Ensure Quick Attach Snow Pusher is properly mounted, adjusted and in good operating condition.

Ensure that all safety shielding and safety signs are properly installed and in good condition.

OPERATION

The use of this equipment is subject to certain hazards that cannot be protected against by the mechanical means or product design. All operators of this equipment must read and understand this entire manual, paying particular attention to safety and operating instructions, prior to using. If there is something in this manual you do not understand, ask your supervisor, or your dealer, to explain it to you.

Most accidents occur because of neglect or carelessness. Only properly trained people should operate this attachment.

(continued on next page)

(continued from previous page)

The majority of the accidents involve crushing injuries. Do not allow bystanders between the tractor, Quick Attach Snow Pusher, or implements when connecting or detaching. Accidents are most likely to occur with machines that are loaned or rented to someone who has not read the owner's manual and is not familiar with a Quick Attach Snow Pusher.

The Quick Attach Snow Pusher is compatible with 55-100 PTO horsepower tractors and 40-80 HP skid steer and track loaders.

Do not allow riders on the Quick Attach Snow Pusher, loader, skid steer or tractor at anytime. There is no safe place for any riders.

Stay alert for uneven terrain, holes, rocks, and roots and other hidden hazards. Keep away from drop-offs and hazards that could cause roll over. Use extreme care and maintain minimum ground speed when transporting or operating on hillsides, over rough ground and when operating close to ditches or fences. Be careful and slow down when turning sharp corners and changing direction on slopes. Do not start or stop suddenly on slopes. Avoid operation on steep slopes. In extremely uneven terrain, rear wheels weights, front tractor weight, and/or tire ballast should be used to improve stability.

Always cut down slopes, never across the face. Always check tractor manual for proper use on slopes.

When using a unit, a minimum 20% of tractor and equipment weight must be on tractor front wheels. Without this weight, tractor could tip over, causing personal injury or death. The weight may be attained with a front end loader, front wheel weights, ballast in the tires or front tractor weights. When attaining a minimum 20% of tractor and equipment weight on the front wheels, you must not exceed the ROPS weight certification. Weigh the tractor and equipment. Do not guess or estimate!

TRANSPORTATION

Comply with state and local laws governing highway safety and movement of farm machinery on public roads.

The use of flashing amber lights is acceptable in most localities. However, some localities prohibit their use. Local laws should be checked for all lighting and marking requirements.

At all times, when driving the tractor and equipment on

the road or highway under 20 mph (32 kph) use flashing amber warning lights and a slow moving vehicle (SMV) identification emblem. Do not exceed 20 mph (32 kph). Reduce speed on rough roads and surfaces. Plan your route to avoid heavy traffic.

Always install transport locks, pins or brackets before transporting.

Do not drink and drive.

Be a safe and courteous driver. Always yield to oncoming traffic in all situations, including narrow bridges, intersections, etc. Watch for traffic when operating near or crossing roadways.

Turn curves or go up or down hills only at a low speed and at a gradual steering angle. Make certain that a least 20% of the tractor's weight is on the front wheels to maintain safe steering. Slow down on rough or uneven surface. Always check tractor manual for proper use on slopes. Use extreme care and maintain minimum ground and when operating close to ditches or fences. Be careful when turning sharp corners.

Never allow riders on either tractor or Quick Attach Snow Pusher.

MAINTENANCE

Good maintenance is your responsibility. Poor maintenance is an invitation to trouble. Follow good shop practices. Keep service area clean and dry. Be sure electrical outlets and tools are properly grounded. Use adequate light for the job at hand. Make sure there is plenty of ventilation. Never operate the engine of the towing vehicle in a closed building. The exhaust fumes may cause asphyxiation.

Before working on this machine, shut off the engine, set the brakes, and remove the ignition keys. Be certain all moving parts on attachments have come to a complete stop before attempting to perform maintenance. Never work under equipment unless it is blocked securely.

Always use personal protection devices such as eye, hand and hearing protectors, when performing any service or maintenance. Frequently check the Quick Attach Snow Pusher. It should be free of nicks, cracks, and securely fastened.

(continued on next page)

(continued from previous page)

Periodically tighten all bolts, nuts, and screws to ensure unit is in safe condition.

After servicing, be sure all tools, parts and service equipment are removed from Quick Attach Snow Pusher.

Do not allow debris, grease or oil to build up on the Quick Attach Snow Pusher.

When replacement parts are necessary for periodic maintenance and servicing, genuine factory replacement parts must be used to restore your equipment to original specifications.

The manufacturer will not be responsible for injuries or damages caused by use of unapproved parts and/or accessories.

A fire extinguisher and the first aid kit should be kept readily accessible while performing maintenance on this equipment.

STORAGE

Following operation, or when unhooking the Quick Attach Snow Pusher, stop the loader, skid steer or tractor, set the brakes, shut off the engine and remove the ignition keys.

Store the unit in an area away from human activity.

Do not park equipment where it can be exposed to direct contact to livestock for long periods of time. Damage and livestock injury could result.

Make sure all parked machines are on a hard, level surface and engage all safety devices.

EQUIPMENT SAFETY GUIDELINES

Safety of the operator and bystanders is one of the main concerns in designing and developing a Quick Attach Snow Pusher. However, every year accidents occur which could have been avoided by a few seconds of thought and a more careful approach to handling equipment. You, the operator, can avoid many accidents by observing the following precautions and insist those working with you, or for you, follow them.

Location of such safety signs are indicated in this manual. Never use alcoholic beverages or drugs that can hinder alertness or coordination while operating this equipment. Consult your doctor about operating this machine while

taking prescription medications.

Under no circumstances should children under the age of 18 be allowed to work with this equipment. Do not allow persons to operate or assemble this unit until they have read this manual and have developed a thorough understanding of the safety precautions and how it works. Review the safety instructions with all users annually. This equipment is dangerous to children and persons unfamiliar with its operation. The operator should be a responsible, properly trained and physically able person familiar with farm machinery and trained in this equipment's operations. If the elderly are assisting with farm work, their physical limitations need to be recognized and accommodated.

Use a tractor equipped with a Roll Over Protective System and seat belts. (ROPS)

Never exceed the limits of a piece of machinery. If its ability to do a job, or to do so safely, is in question – DON'T TRY IT. Do not modify the equipment in any way. Unauthorized modification could result in serious injury or death and may impair the function and life of the equipment.

In addition to the design and the confirmation of this implement, including safety signs and safety equipment, hazard control and accident prevention are dependent upon the awareness, concern, prudence, and proper training of personnel involved in the operation, transport, maintenance, and storage of the machine. Refer also to safety messages and operation instruction in each of the appropriate sections of the tractor and Quick Attach Snow Pusher manuals. Pay close attention to the safety signs affixed to the loader, skid steer or tractor and the Quick Attach Snow Pusher.

ATTENTION! BECOME ALERT! YOUR SAFETY IS INVOLVED!
Replace Decals Immediately if Damaged!



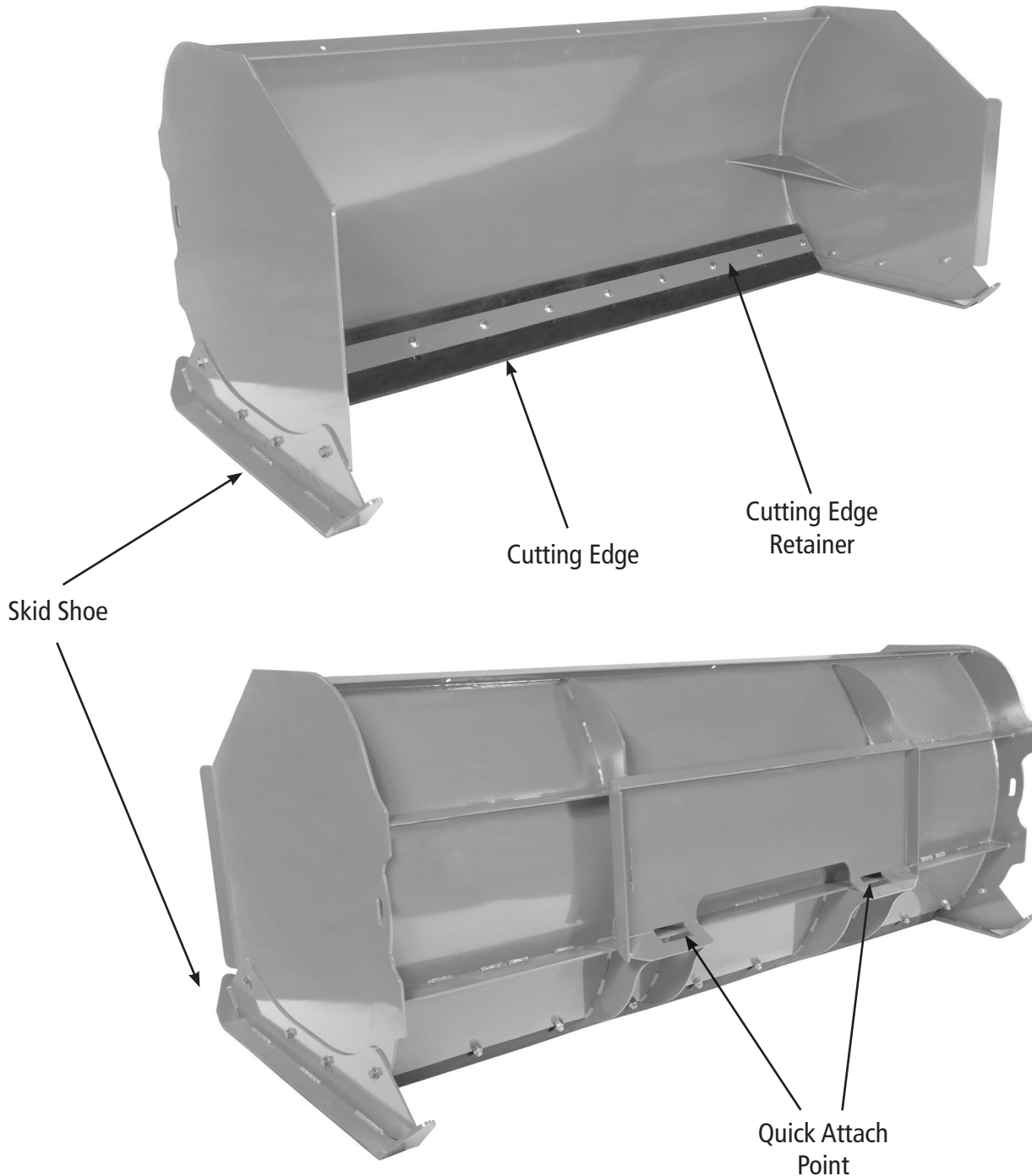
 WARNING	AVOID INJURY OR DEATH Keep 10 feet (3m) away from machine when in use.
--	--

① SERIOUS INJURY

DESCRIPTION

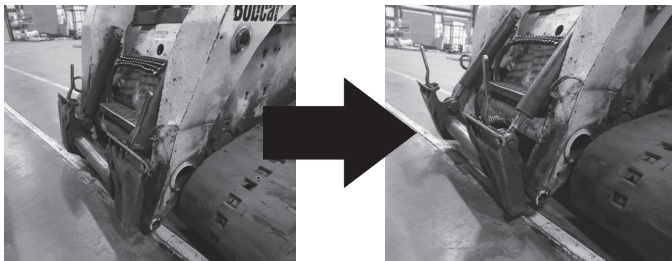
Your Quick Attach Snow Pusher has been carefully designed for pushing and moving snow. This manual is provided to give you the necessary operation and maintenance instructions for keeping your snow pusher in excellent operating condition. Please read this manual thoroughly. Understand the purpose of the controls and how to use them. Observe all safety precautions on the machine and as noted throughout this manual.

Major components

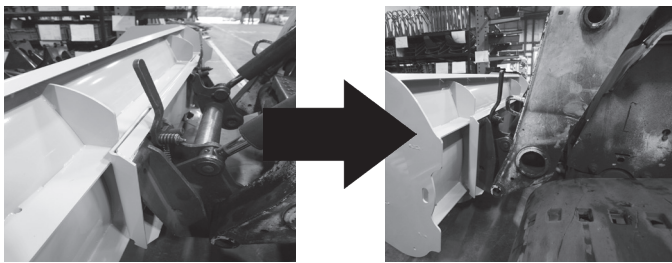


ATTACHING

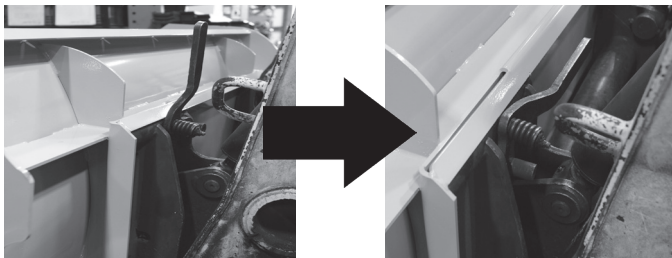
1. Tilt the attachment plate forward.



2. Drive the loader forward slowly making sure the top edge of the attachment plate is completely under the top flange of the snow pusher mounting frame. Then tilt the attachment plate backward.



3. Push down on the attachment levers until they are fully engaged and locked. The snow pusher is then ready for use.



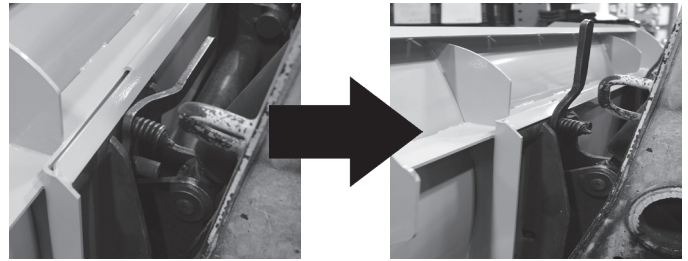
NOTE If attachment pins do not engage fully with tractor or skid steer adjustments can be made by grinding or enlarging the bottom holes.

OPERATION

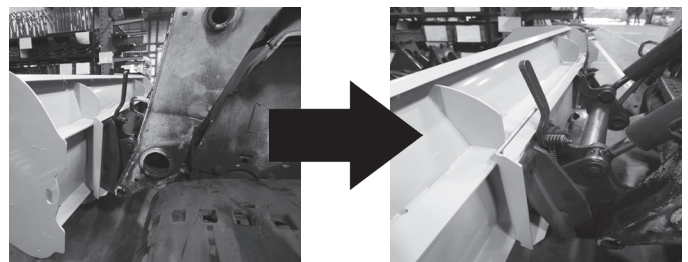
Drive forward pushing snow to desired location. Depending on the depth and weight of the snow being moved adjust speed accordingly.

DETACHING

1. Release the attachment levers on the attachment plate.



2. Tilt attachment levers forward.



3. Slowly back loader up until attachment levers have cleared the snow pusher's top flange.



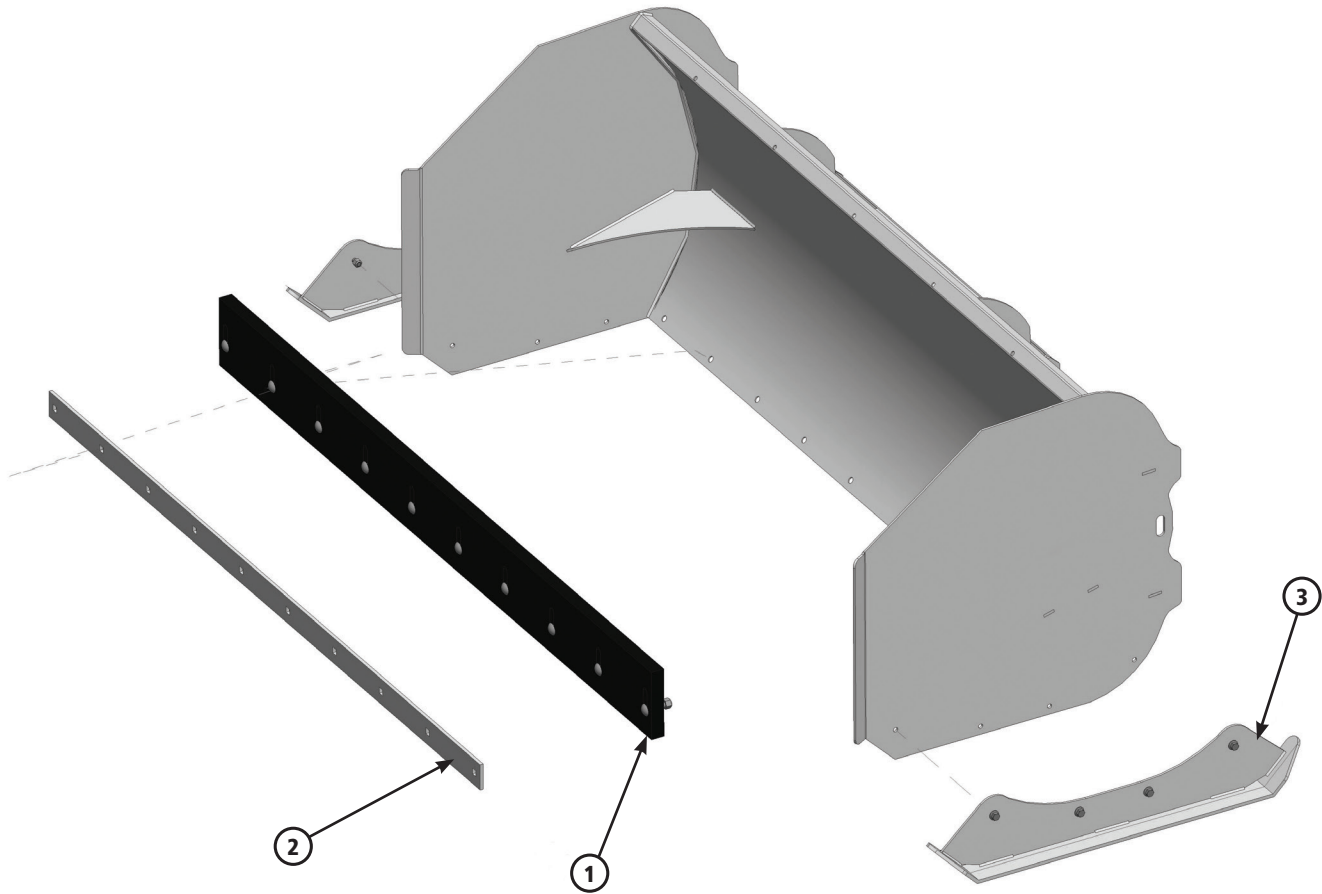
STORAGE

AT THE END OF YOUR SNOW PUSHING SEASON

IMPORTANT: When the unit is going to be stored for an extended amount of time please perform the following steps to keep the snow pusher from deteriorating.

1. Inspect mounting flange, skid shoes, pivot rod, rubber cutting edge, and all bolts on the snow pusher for wear and damage. Replace if damaged.
2. Clean snow pusher.
3. Store snow pusher in a clean, dry location.

Parts Overall View QASP6, QASP8



Item Number	Part Number	Description
1	2000106	Cutting edge with hardware
1a	2000107	Cutting edge with hardware
2	2000108	Cutting edge retainer
2a	2000109	Cutting edge retainer
3	2000110	Skid shoe with hardware (1 piece RH or LH)
3a	2000111	Skid shoe with hardware (1 piece RH or LH)

* For complete Safety Decals listing and locations refer to pages 7.

Because we are always striving to improve our products, this diagram could differ slightly from actual equipment. Specifications are subject to change without notice.

WARRANTY

The manufacturer warrants to the original purchaser that the implement is free from defects in both material and workmanship under normal use and service for a period of one (1) year for noncommercial use. Any use by commercial, state, and municipalities will void warranty.

This Warranty shall not be interpreted to render the Manufacturer liable for damages of any kind, direct, consequential, or contingent to property. Furthermore, Manufacturer shall not be liable for damages resulting from any cause beyond its reasonable control. This Warranty does not extend to loss of crops, any expense or loss for labor, supplies, rental machinery, or for any other reason.

This Warranty does not apply to any part or product which in the Manufacturer's judgment shall have been misused or damaged by accident or lack of normal maintenance or care, or which has been used for purpose for which the product is not designed. Manufacturer reserves the right to make changes in materials or design of the product at any time without notice.

This Warranty is extended solely to the original purchaser of the product. Should the original purchaser sell or otherwise transfer this product to a third party, this Warranty does not transfer to the third party purchaser in any way. There are no third party beneficiaries of this Warranty.

Warranty specifications:

- Must show proof of purchase within 1 year of purchase date.
- Photos must be provided to ensure proper warranty claim.
- Claims under this Warranty must be made to an authorized dealer, and must be submitted within 30 days of failure.

The above information must be provided in order for us to process your claim and for you to receive a Return Manufacturers Authorization # (RMA) from manufacturer. Any product determined to be defective and has been issued an RMA # by the manufacturer will be picked up and returned to our facility for complete inspection and disposition of liability. Once a warranty claim is accepted, the manufacturer will issue full credit or exchange the product at no cost to the store or customer.

KEEP FOR YOUR RECORDS

Record the model number, serial number, and the date of purchase with original sales receipt. This information will be helpful to your dealer if parts or service are required.

MODEL NUMBER _____
SERIAL NUMBER _____
DATE OF PURCHASE _____
DEALER _____

