



## **Landscape Drag**

### **OWNER'S MANUAL**



#### **WARNING:**

Read carefully and understand all **ASSEMBLY AND OPERATION INSTRUCTIONS** before operating. Failure to follow the safety rules and other basic safety precautions may result in serious personal injury.

12112009

**Item# ATV-LD**

Thank you very much for choosing this product! For future reference, please complete the owner's record below:

Model: \_\_\_\_\_ATV-LD\_\_\_\_\_ Purchase Date: \_\_\_\_\_

Save the receipt, warranty and these instructions. It is important that you read the entire manual to become familiar with this product before you begin using it.

This machine is designed for certain applications only. The manufacturer cannot be responsible for issues arising from modification. We strongly recommend this machine not be modified and/or used for any application other than that for which it was designed. If you have any questions relative to a particular application, DO NOT use the machine until you have first contacted us to determine if it can or should be performed on the product.

For technical questions please call **1-218-943-6296**.

## INTENDED USE

Used for Driveway, Parking Lot, or Park Leveling

## TECHNICAL SPECIFICATIONS

Tows Easily Behind an ATV or Lawn Tractor
5.5FT Working Width
Up To 50LBS of Weight can be Added to Top

## GENERAL SAFETY RULES



**WARNING:** Read and understand all instructions. Failure to follow all instructions listed below may result in serious injury.



**CAUTION:** Do not allow persons to operate or assemble this landscape drag until they have read this manual and have developed a thorough understanding of how the landscape drag works.



**WARNING:** The warnings, cautions, and instructions discussed in this instruction manual cannot cover all possible conditions or situations that could occur. It must be understood by the operator that common sense and caution are factors which cannot be built into this product, but must be supplied by the operator.

## SAVE THESE INSTRUCTIONS

## WORK AREA (During Assembly and Operation)

- **Keep work area clean**, free of clutter and well lit. Cluttered and dark work areas can cause accidents.
- **Keep children and bystanders** away while operating a **landscape drag**. Distractions can cause you to lose control, so visitors should remain at a safe distance from the work area.
- **Be aware of all power lines, electrical circuits**, water pipes and other mechanical hazards in your work area, particularly those hazards below the work surface hidden from the operator's view that may be unintentionally contacted and may cause personal harm or property damage.
- **Be alert of your surroundings**. Using a **landscape drag** in confined work areas may put you dangerously close to cutting tools and rotating parts.

## PERSONAL SAFETY

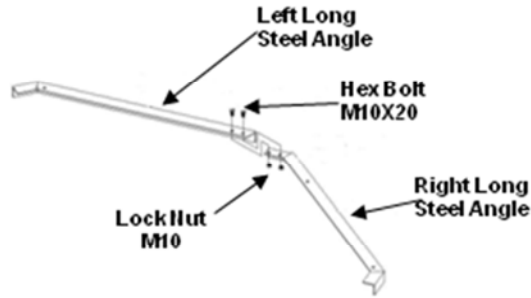
- **Stay alert**, watch what you are doing and use common sense when using a **landscape drag**. Do not use a **landscape drag** while you are tired or under the influence of drugs, alcohol or medication. A moment of inattention while operating a **landscape drag** may result in serious personal injury.
- **Dress properly**. Do not wear loose clothing, dangling objects, or jewelry. Keep your hair, clothing and gloves away from moving parts. Loose clothes, jewelry or long hair can be caught in moving parts.
- **Use safety apparel and equipment**. Use safety goggles or safety glasses with side shields which comply with current national standards, or when needed, a face shield. Use as dust mask in dusty work conditions. This applies to all persons in the work area. Also use non-skid safety shoes, hardhat, gloves, dust collection systems, and hearing protection when appropriate.

## LANDSCAPE DRAG USE AND CARE

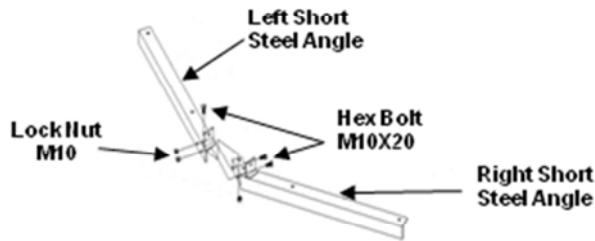
- **Do not modify the landscape drag in any way**. Unauthorized modification may impair the function and/or safety and could affect the life of the equipment. There are specific applications for which the **landscape drag** was designed.
- **Always check of damaged or worn out parts before using the landscape drag**. Broken parts will affect the **landscape drag** operation. Replace or repair damaged or worn parts immediately.
- **Do not exceed the landscape drag load capacity**.
- **Distribute the load evenly**. Uneven loads may cause the **landscape drag** to tip, resulting in personal injury to the operator or others.
- **Use the landscape drag on flat and level surfaces** capable of supporting the **landscape drag** and its maximum load. Pulling or pushing a load on a slanted or uneven surface can result in loss of control.
- **Store idle landscape drag**. When **landscape drag** is not in use, store it in a secure place out of the reach of children. Inspect it for good working condition prior to storage and before re-use.

# ASSEMBLY

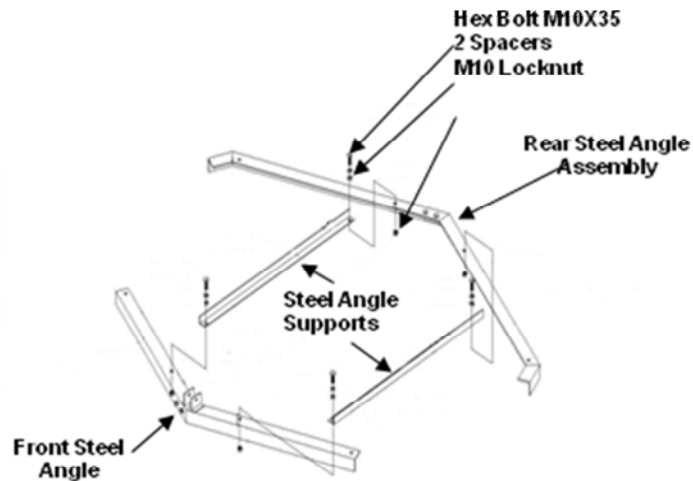
**Step 1** Connect the Right Long Steel Angle to the Left Long Steel Angle using the hex bolts and locknuts as shown.



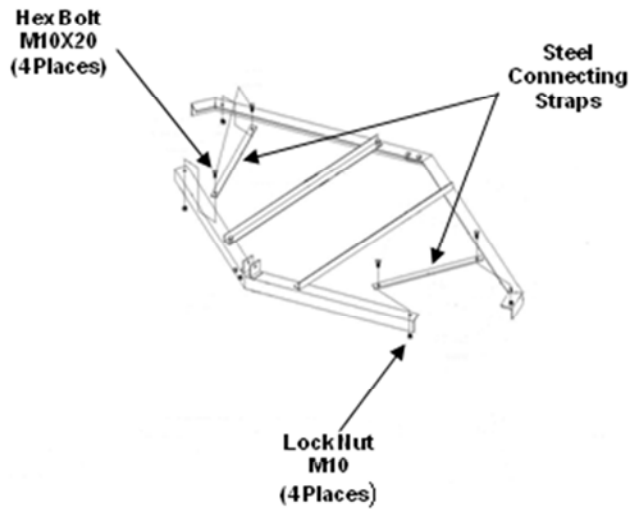
**Step 2** Connect the Right Short Steel Angle to the Left Short Steel Angle using the hex bolts and locknuts as shown.



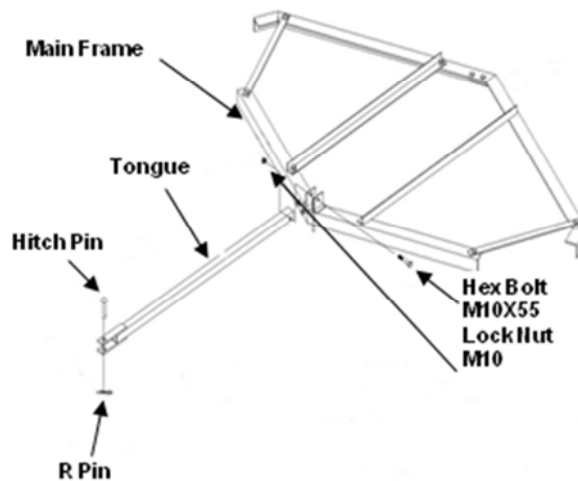
**Step 3** Connect the Front Steel Angle Assembly to the Rear Steel Angle Assembly using the two Steel Angle Supports, connect using 2 Spacers, Hex Bolt M10X35 and M10 Locknut. (4 Places)



**Step 4** Connect the Front Steel Angle Assembly to the Rear Steel Angle Assembly with the two Steel Connecting Straps using the Hex Bolt and Lock Nut. (4 Places)



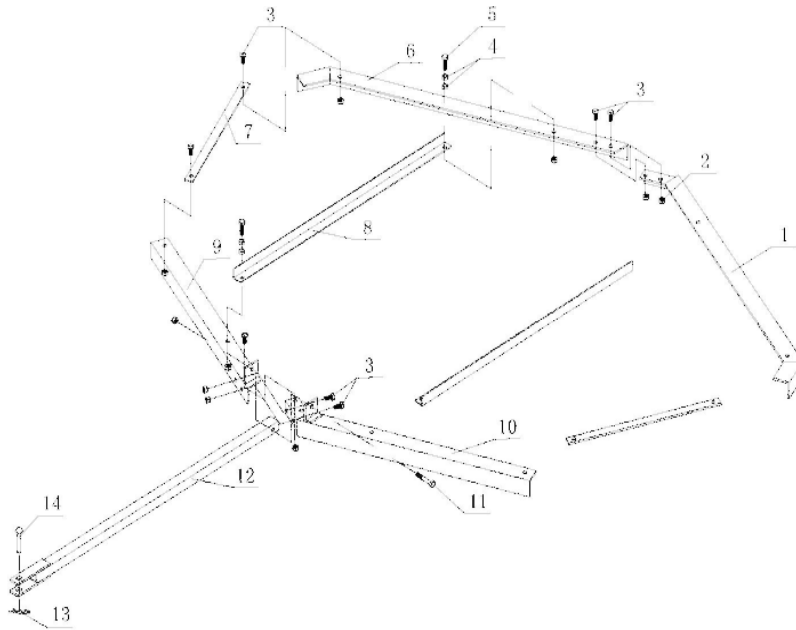
**Step 5** Connect the Tongue to the Main frame using the Hex Bolt and Lock Nuts. Install the Hitch pin and the R pin into Tongue.



## MAINTENANCE

- **Maintain your landscape.** It is recommended that the general condition of any landscape drag be examined before it is used. Keep your landscape drag in good repair by adopting a program of conscientious repair and maintenance. If any abnormal vibrations or noise occurs, have the problem corrected before further use. Have necessary repairs made by qualified service personnel.

## DIAGRAM & PARTS LIST



PART#	DESC	QTY	PART#	DESC	QTY
1	Right long angle steel	1	8	Long connector steel bar	2
2	Lock Nut M10	16	9	Left small angle steel	1
3	Bolt M10x20	11	10	Right small angel steel	1
4	Spacer	8	11	Bolt M10x55	1
5	Bolt M10x35	4	12	Tongue	1
6	Left long angle steel	1	13	R Pin Ø3	1
7	Connector steel bar	2	14	Cup head pin	1

For replacement parts and technical questions, please call 1-218-943-6296.

## WARRANTY

One-year limited warranty



TG  
 PO BOX 203  
 Miltona, MN 56354  
 Made in CHINA