



HOW TO ASSEMBLE

SNAP & GROW® SERIES

IMPORTANT!

Please read these instructions carefully before starting assembly.
Keep these instructions in a safe place for future reference.

www.canopia.com



A member of
Palram Industries Ltd.



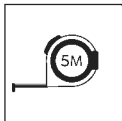
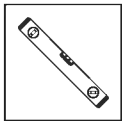
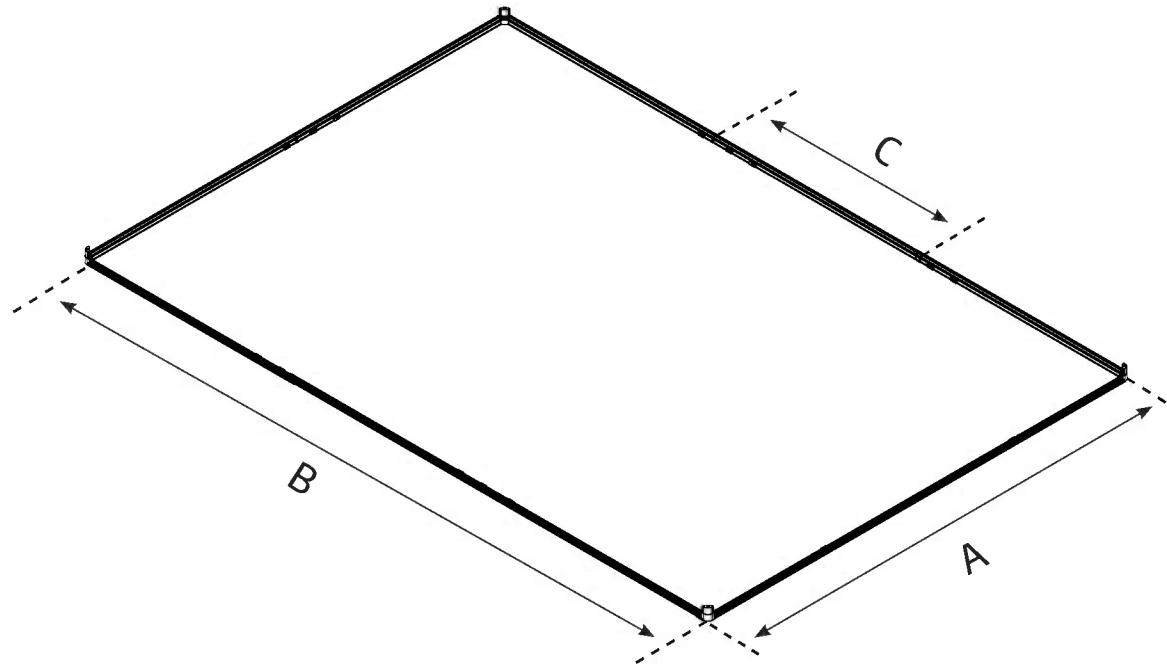


AVAILABLE MODELS

8x8 / 2.5x2.5		8x12 / 2.5x3.7		8x16 / 2.5x5		8x20 / 2.5x6	
PRIMARY UNIT 2.5x2.5	1 BOX 	PRIMARY UNIT 2.5x2.5	1 BOX 	PRIMARY UNIT 2.5x2.5	1 BOX 	PRIMARY UNIT 2.5x2.5	1 BOX
		1 EXT. UNIT 8x4 / 2.4x1.2	1 BOX 	2 EXT. UNIT 8x4 / 2.4x1.2	2 BOXES 	3 EXT. UNIT 8x4 / 2.4x1.2	3 BOXES
8x24 / 2.5x7.3		8x28 / 2.5x8.5		8x32 / 2.5x9.7			
PRIMARY UNIT 2.5x2.5	1 BOX 	PRIMARY UNIT 2.5x2.5	1 BOX 	PRIMARY UNIT 2.5x2.5	1 BOX 		
4 EXT. UNIT 8x4 / 2.4x1.2	4 BOXES 	5 EXT. UNIT 8x4 / 2.4x1.2	5 BOXES 	6 EXT. UNIT 8x4 / 2.4x1.2	6 BOXES 		



BASE DIMENSIONS SNAP & GROW SERIES



MODELS	WIDTH		LENGTH		EXTENSION UNITS	
8x8 / 2.5x2.5	A	244 cm / 8'	B	242 cm / 7'11"	C	-
8x2 / 2.5x3.7				362 cm / 11'10"		120 cm / 3'11" (x1)
8x16 / 2.5x5				482 cm / 15'10"		120 cm / 3'11" (x2)
8x20 / 2.5x6				602 cm / 11'10"		120 cm / 3'11" (x3)
8x24 / 2.5x7.3				722 cm / 23'80"		120 cm / 3'11" (x4)
8x28 / 2.5x8.5				842 cm / 27'7"		120 cm / 3'11" (x5)
8x32 / 2.5x9.7				692 cm / 22'8"		120 cm / 3'11" (x6)



1

PARTS REQUEST

In the case of missing or damaged parts, do not return product to store.

Go to the link below or scan the QR code for help, it will direct you to a form that will help us assist you as soon as possible.



SCAN ME

Contact us on our website:
bit.ly/3js7yZi

2

ASSEMBLY ASSISTANCE

If you need any technical assistance in assembling your product, go to the link below or scan the QR code for help. It will direct you to a form that will help us assist you as soon as possible.



SCAN ME

Contact us on our website:
bit.ly/3kqqFEc



CUSTOMER SUPPORT



SCAN ME

WE ARE HERE TO HELP

For general questions: bit.ly/3kY07dP

USA



877-627-8476



hobbyservice@poly-tex.com

CANADA



905-5646007



sales@footprintproducts.com

UNITED KINGDOM · IRELAND



01302-380775



customer.serviceUK@palram.com

GERMANY



0180-522-8778



customer.serviceDE@palram.com

FRANCE · BELGIUM



+33-169-791-094



customer.serviceFR@palram.com

ISRAEL



04-848-6816



info.il@palram.co.il

ITALY · NETHERLANDS · PORTUGAL · SPAIN



+33-169-791-094



customer.serviceFR@palram.com

AUSTRIA · LUXEMBURG · LIECHTENSTEIN



+49-180-522-8778



customer.serviceDE@palram.com

AUSTRALIA



03-9219-4444



salesvic@palram.com

NORWAY · SWEDEN · ARGENTINA · GREECE · GREENLAND · ICELAND · ESTONIA · JAPAN · LATVIA · LITHUANIA
MAURITIUS · MEXICO · ROMANIA · RUSSIA · TURKEY · UZBEKISTAN · UKRAINE · SWAZILAND · KOREA



+972-4-848-6816



customer.service@palram.com



CUSTOMER SUPPORT




SCAN ME

WE ARE HERE TO HELP


For general questions: bit.ly/3kY07dP

AUSTRALIA - GREENHOUSES

 03-9544-6-999

 info@mazedistribution.com.au


HUNGARY · SLOVAKIA

 +420-493-523-523

 servis@garland.cz

NEW ZEALAND

 0800 800 880


 customer.service@palram.com


DENMARK

 07-575 42 70


 post@nshnordic.com


SOUTH AFRICA

 011-397-7771


 receptionza@palram.com


CROATIA · SLOVENIA

 0599-37-057


 info@ms-viscom.com

CZECH REPUBLIC

 0493-523-523


 servis@garland.cz

FINLAND

 Neuvonta: 09-6866720
Tuki / Varaosat: 050-3715350


 www.horisontenterprises.fi
tuki@horisontenterprises.fi


POLAND

 Infolinia: 801-011-929
22-349-93-36


 kontakt@ogrodosfera.pl

CYPRUS

 0224-971-13

 alpaco@alpacodomica.com
www.alpacodomica.com

SWITZERLAND

 062-287-33-77

 info@ritter.ch



DIGITAL INSTRUCTIONS WORLDWIDE

ES

Para reducir las cantidades de papel utilizadas, los manuales de instrucciones preliminares fueron traducidos a muchos otros idiomas y están disponibles en nuestro sitio web www.canopia.com.

Los encontrará en la página web respectiva de(los) producto(s) CANOPIA que haya elegido, así como a las **instrucciones de seguridad, las indicaciones para preparar el terreno, cómo colocar los cimientos** y mucho más...

HE

על מנת לצמצם שימוש בכמויות נייר, תרגמנו את ההוראות המקדימות בשפות רבות נוספות, אותן תוכלו למצוא באתר האינטרנט שלנו www.canopia.com. תוכלו למצוא אותן בדף האינטרנט של המוצר CANOPIA שבחרתם, כולל **הוראות בטיחות, הנחיות להכנת השטח לפני הרכבה, הקמת בסיס מוצר ועוד...**

NL

Om de hoeveelheid gebruikt papier te verminderen, hebben we de voorlopige instructies vertaald naar meerdere extra talen en ze beschikbaar gemaakt voor u op onze website www.canopia.com.

U kunt deze vinden op de respectieve webpagina van het (de) CANOPIA product(en) dat (die) u hebt gekozen, **inclusief veiligheidsinstructies, richtlijnen om uw site voor te bereiden, uw fundering** te leggen en meer...

IT

Per ridurre la quantità di carta utilizzata, abbiamo tradotto le istruzioni preliminari in molte altre lingue e le abbiamo messe a vostra disposizione sul nostro sito web www.canopia.com.

Potete trovare queste istruzioni sulla pagina web del prodotto CANOPIA di vostra scelta, **comprese le istruzioni di sicurezza, le istruzioni per la preparazione del terreno, la posa delle fondamenta** e molto altro...

SV

För att minska mängden papper som använts har vi översatt de preliminära instruktionerna på många andra språk och gjort dem tillgängliga för dig på vår webbplats www.canopia.com.

Du hittar dem på respektive webbsida för CANOPIA-produkterna du har valt, inklusive **säkerhetsinstruktioner**, anvisningar för att **förbereda din plats, skapa din grund** och mycket annat ...

NN

For å redusere mengden papir som brukes har vi oversatt de preliminære instruksene i mange ekstra språk og gjort dem tilgjengelig for deg på nettsiden vår www.canopia.com.

Du finner dem på den respektive nettsiden til CANOPIA produkt(ene) du har valgt, **inkludert sikkerhetsinstruksjoner, instruksjoner for å forberede området, legge fundamentet** og mer...

FI

Paperin määrän vähentämiseksi olemme kääntäneet alustavat ohjeet monille muille kielille ja saattaneet ne saataville verkkosivustollamme www.canopia.com.

Löydät ne kunkin CANOPIA-tuotteen vastaavalta verkkosivulta, mukaan lukien **turvallisuusohjeet, ohjeet asennuspaikan valmistelemiseksi, perustan luomiseksi** ja paljon muuta...

DA

For at reducere mængden af brugt papir har vi oversat de foreløbige instruktioner til mange andre sprog og har gjort dem tilgængelige for dig på vores hjemmeside www.canopia.com.

Du finder dem på den respektive CANEBSITE for de CANOPIA-produkter, du har valgt, **herunder sikkerhedsinstruktioner, anvisninger til forberedelse af dit siteebsted, indstilling af dit fundament** og mere...



DIGITAL INSTRUCTIONS WORLDWIDE

SL

Da bi zmanjšali količino porabljenega papirja, smo predhodna navodila prevedli v številne dodatne jezike in vam jih dali na voljo na naši spletni strani www.canopia.com.

Našli jih boste na ustrezni spletni strani izdelka(-ov) CANOPIA, ki ste ga(jih) izbrali, vključno z **varnostnimi navodili**, navodili za **pripravo gradbišča**, **postavitve temeljev** in še več...

CS

Abychom snížili množství použitého papíru, přeložili jsme předběžné pokyny do mnoha dalších jazyků a zpřístupnili jsme je na našich webových stránkách www.canopia.com.

Najdete je na příslušné webové stránce produktů CANOPIA, které jste si vybrali, **včetně bezpečnostních pokynů, pokynů k přípravě pozice, nastavení základů** a další...

HU

A felhasználókat papírmennyiség csökkentése érdekében az előkészületi utasításokat szívesebben nyelvre lefordítottuk, és a www.canopia.com weboldalunkon elérhetővé tettük az Ön számára.

Ezeket a kívánt CANOPIA termék(ek) megfelelő weboldalán találja meg, **beleértve a biztonsági utasításokat, a helyszín előkészítésére, az alapozásra vonatkozó utasításokat és még sok más...**

LT

Lai samazinātu izmantotā papīra daudzumu, esam iztulkojuši sākotnējās instrukcijas daudzās papildu valodās un padarījušas tās pieejamas mūsu vietnē www.canopia.com.

Jūs tulkojumus atradīsiet attiecīgajā izvēlētā(-o) CANOPIA produkta(-u) tīmekļa lapā, tur atradīsiet arī **drošības instrukcijas, norādījumus, kā sagatavot vietni, iestatīt pamatu un vēl vairāk...**

SK

Za účelom zníženia množstva použitého papiera sme preložili predbežné pokyny do mnohých ďalších jazykov a sprístupnili sme ich pre vás na našej webovej stránke www.canopia.com.

Nájdete ich na príslušnej webovej stránke produktov CANOPIA, ktoré ste si vybrali, **vrátane bezpečnostných pokynov, pokynov na prípravu vášho pracoviska, vytvorenia základov** a ďalších...

ET

Kasutatava paberi koguse vähendamiseks oleme tõlkinud esialgsed juhised paljudesse lisakeeltesse, need on teile kättesaadavad meie veebilehel www.canopia.com.

Leiate need teie poolt valitud CANOPIA toote (toodete) **vasataval veebileheküljel, sealhulgas ohutusjuhised, teie objekti ettevalmistuse, aluse seadmise juhised** ja palju muud...

PL

W celu zmniejszenia ilości zużywanego papieru przetłumaczyliśmy wstępną instrukcję w wielu dodatkowych językach i udostępniliśmy ją Państwu na naszej stronie internetowej www.canopia.com.

Znajdziecie je Państwo na stronie internetowej wybranego produktu CANOPIA, łącznie z **instrukcjami bezpieczeństwa, wskazówkami dotyczącymi przygotowania terenu, fundamentów** i wieloma dodatkowymi informacjami..

RU

Чтобы сократить количество используемой бумаги, мы перевели предварительные инструкции на множество других языков и сделали их доступными для вас на нашем веб-сайте www.canopia.com.

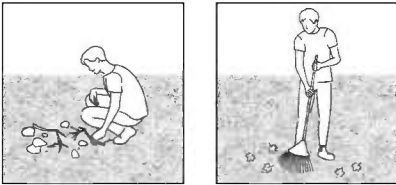
Вы найдете их на соответствующей веб-странице изделия CANOPIA, которые вы выбрали, **включая инструкции по безопасности, инструкции по подготовке вашего места, закладке основы** и многое другое...

SITE PREPARATION & FOUNDATION

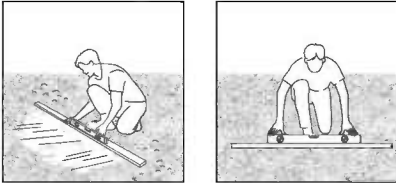
A - PREPARE THE SITE

The product must be built on a **solid and leveled** surface in order to perform properly.

1 - Clear the site



2 - Level the ground



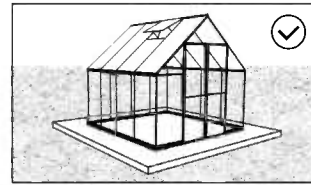
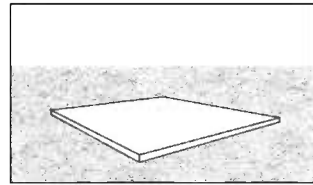
IMPORTANT

We recommend checking for restrictions or covenants for building this product in your area. In addition we advise to check if you need to submit any forms or if any permit is required prior to building the product.

B - CHOOSE YOUR FOUNDATION TYPE

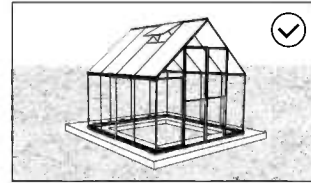
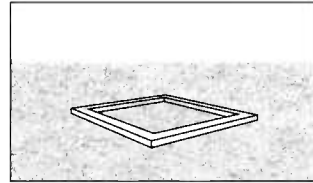
For a base, we recommend using three material types :
Concrete | Pressure treated wood / wood deck | Paver blocks

Option 1: Solid base



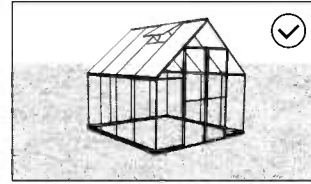
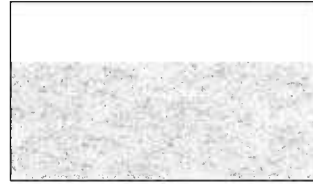
Preferred

Option 2: Solid frame



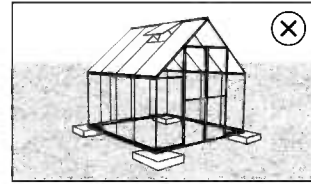
Preferred

Option 3: Firm ground / grass



Possible

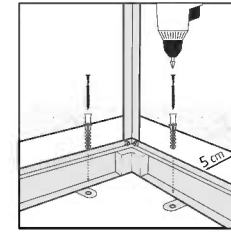
* The size of the greenhouse displayed is for illustration purposes only and may not reflect the size of your greenhouse.



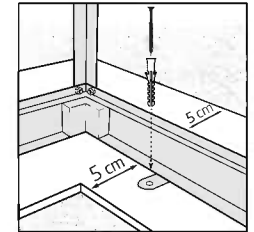
Not possible

C - ANCHOR TO FOUNDATION

On a solid base



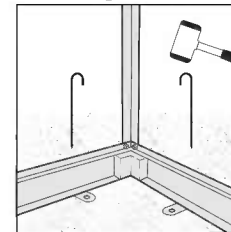
On a solid frame



Secure the product to the foundation of your choice using suitable screws & plugs or masonry anchors (not supplied).

Make sure you have at least 5 cm | 2" between the product base and the edges of your foundation - **on all sides.**

On soil / grass



Secure the product to the ground surface using suitable long pegs (not supplied).

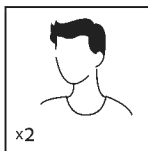
SAFETY ADVICE

- It is of utmost importance to assemble all of the parts according to the directions. Do not skip any steps.
- We strongly recommend using work gloves during panel sliding.
- Always wear shoes and safety goggles when working with extruded aluminium.
- If using a step ladder or power tools make sure that you follow the manufacturer's safety advice.
- Do not touch overhead power cables with the aluminium profiles.
- Do not attempt to assemble the product in windy or wet conditions.
- Dispose of all plastic bags. Keep them out of reach of small children.
- Keep children away from the assembly area.
- Do not lean against or push the products during construction.
- Do not position your product in an area exposed to excessive winds.
- Do not attempt to assemble this product if you are tired, have taken drugs or alcohol or if you are prone to dizzy spells.
- Hot items such as recently used grills, blowtorches etc. must not be stored in the product.
- Make sure there are no hidden pipes or cables in the ground before inserting the pegs.
- This product is designed to be used mainly as a greenhouse.
- **Please Note:** We strongly recommend anchoring the product directly to a solid foundation to increase the product's stability and wind resistance in areas with severe weather conditions. Make sure that there are no obstructions between the assembly area and the final position of the product. The Palram - Canopia Anchoring kit is available for purchase separately.

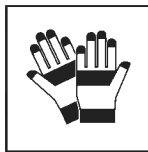
CARE & MAINTENANCE

- When your product needs to be cleaned, use a mild detergent solution and rinse with cold clean water.
- DO NOT use acetone, abrasive cleaners or other special detergents to clean the panels.
- Clean the product once assembly is complete.

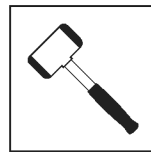
TOOLS & EQUIPMENT



2 people needed



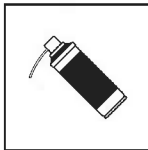
Work gloves



Rubber Mallet



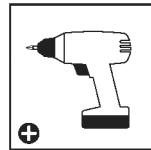
Microfiber Cloth



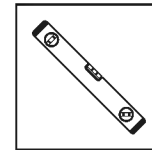
Lubricant Spray



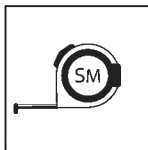
Phillips head Screwdriver



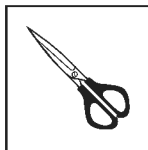
Cordless drill Phillips head



Spirit Level



Tape measure



Scissors



Wrench 10 mm | 13/32"

BEFORE ASSEMBLY

1. Selecting a site:
 - The product must be positioned and fixed on a flat level surface.
 - Choose a sunny position away from overhanging trees.
2. We strongly recommend this product to be secured directly to a solid foundation.
3. This is a multi-part assembly best achieved by two people. Allow at least half a day for the assembly process.
4. Take all components & parts out of the packages. Sort the parts and check against the content parts list.
5. Parts should be laid out close at hand. Keep all small parts (screws etc.) in a bowl so they do not get lost.
6. Please note multi-sided profiles are used in this greenhouse. As a result some holes in the profiles are not used during assembly.
7. Please review entire instructions before starting. Carry out the assembly steps in exact order.
8. Please consult your local authorities if any permits are required prior to constructing the product.
9. The drawings in this manual are designed for 8' x 8' product + 4' Extension. Please note that content list refers only to 8' x 8' product.

DURING ASSEMBLY

- Make sure the base is square by measuring the diagonals and level by using a spirit level.
- You may use silicone lubricant spray on the frame in order to help you slide the panels into the profiles.
- Do not spray the Polycarbonate panels.
- Use a rubber mallet if necessary.



- During assembly you will encounter the information icon, please refer to the relevant assembly step for additional comments and assistance.



- This icon indicates that the installer should be inside the product.



- This icon indicates that the installer should be outside the product.

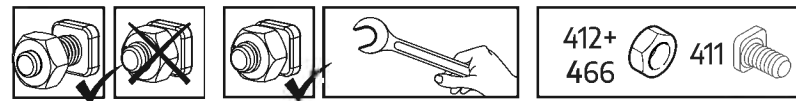


- All the extension module steps are marked with a dashed outline, should be performed during the product's assembly process.

IMPORTANT RECOMMENDATIONS

- Firmly connect the product to a level surface immediately after completion of the assembly.
- Anchoring this product to the ground is essential to its stability and rigidity. It is required to complete this stage in order for your warranty to be valid.
- During assembly use a soft surface below the parts to avoid scratches and damages.
- Tighten all screws once assembly is completed.
- Screws **411** and nuts **412 & 466** are used throughout the assembly process
- Screws **411** are to be assembled from the outside and nuts **412 & 466** from the inside of the greenhouse.

- If not specified otherwise, do not fasten screws and nuts (**411, 412 & 466**) for more than 2-3 turns. Do not tighten them until completion of the panels assembly. These 2 icons below indicate if screw's tightening is required or not.
- In some steps, temporary tightening of a few screws may be needed to prevent a profile from sliding out.





IMPORTANT ASSEMBLY STEPS

When encountering this information icon during assembly, please refer to the relevant assembly step for important additional comments.

- Step 3:** While anchoring the product to the ground, make sure you allow free movement of item #4. Refer to the drawing marked at the bottom of the page + “**Foundation SNG 8**” page.
- Step 6:** After connecting profiles **816** to each other clean the connection area using a cloth. Place the cover strip on the connection only when it is clean and dry.
- Step 8:** After connecting profiles **816** to each other clean the connection area using a cloth. Place the cover strip on the connection only when it is clean and dry.
- Steps 9, 10:** Use part **95** as a template in order to measure the gap between posts of the greenhouse wall and roof area.
- Step 10:** Profile **841** should be placed on the right hand side. Profile **840** should be placed on the left hand side when viewed from the front.

- Step 11:** Slide the panel **566** till the end of the rail and insert it into it's final position as shown in illustration d.

- Steps 17, 21:** Refer to page “**Mounting window**” for options of where to install the window.

- Steps 20, 21:** If the window doesn't close properly, please release the screws, adjust the profile and re-tighten the screws.

- Step 35:** Profiles **814** should be inserted from the four corners of the greenhouse, then insert profile **815** in between them.

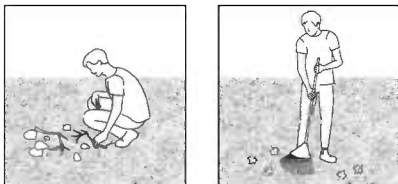
- Step 36:** Ensure you use long screw **450** to secure the door catch **34** as shown in illustration a.

PRÉPARATION DU TERRAIN ET FONDATION

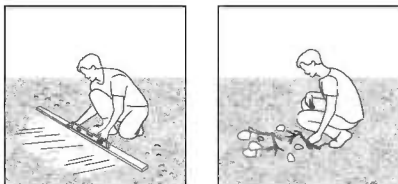
A- PRÉPARER LE TERRAIN

Le produit doit être monté sur une **surface solide et nivelée** afin d'en assurer la bonne stabilité.

1- Déblayer le terrain



2- Nivelier le sol



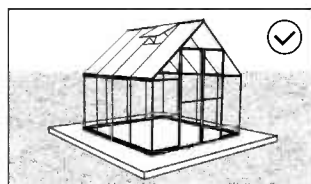
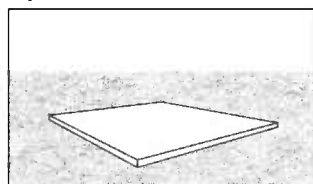
— IMPORTANTE —

Avant d'assembler ce produit dans votre région, nous vous recommandons de vous renseigner sur les restrictions ou réglementations locales. Nous vous conseillons en outre de vérifier si vous devez soumettre des formulaires ou si un permis est requis avant de monter le produit.

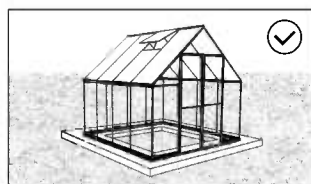
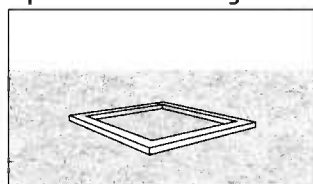
B - CHOISIR VOTRE TYPE DE FONDATION

Pour la base, nous recommandons d'utiliser trois types de matériaux :
Béton | Bois traité sous pression / plancher en bois | Blocs de pavés.

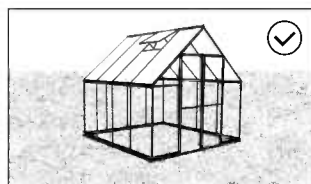
Option 1 : Une base solide



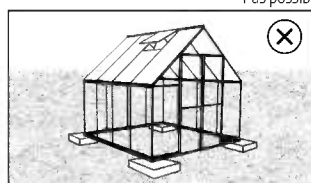
Option 2 : Un cadre rigide



Option 3 : Terre / pelouse ferme

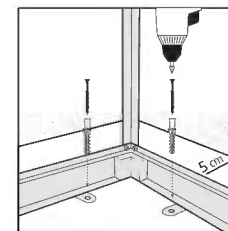


*La taille de la serre affichée ici est uniquement à titre d'illustration et ne reflète pas forcément la taille de votre serre.

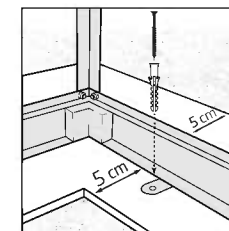


C - ANCRAGE A LA FONDATION

Sur une base solide



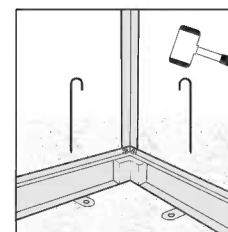
Sur un cadre solide



Fixez le produit à la fondation de votre choix, à l'aide de vis et de chevilles appropriées ou d'ancrages en maçonnerie (non fournis).

Assurez-vous qu'il y a au moins 5 cm entre la base du produit et le périmètre de votre fondation - **de tous les côtés**.

Sur la terre ou l'herbe



Fixez le produit à la surface du sol à l'aide de longs piquets appropriés (non fournis).

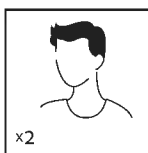
CONSEILS DE SECURITE

- Très important ! Veuillez suivre scrupuleusement les instructions de ce manuel et réaliser les étapes dans l'ordre énoncé.
- Nous recommandons vivement le port de gants de protection pendant le montage.
- Portez toujours des chaussures de travail et des lunettes de protection lorsque vous travaillez des pièces en aluminium extrudé.
- Lors de l'utilisation d'une échelle ou d'outils électriques, assurez-vous de bien suivre les consignes de sécurité du fabricant.
- Veillez à ne pas toucher de câbles aériens avec les profilés en aluminium.
- N'essayez pas de monter la produit s'il y a du vent ou s'il fait humide.
- Jetez tous les sacs en plastique en appliquant les règles de sécurité et maintenez-les hors de portée des jeunes enfants.
- Eloignez les enfants de la zone d'assemblage.
- Ne vous appuyez pas contre la produit et ne la poussez pas pendant le montage.
- Ne positionnez pas la produit dans un endroit trop exposé au vent.
- N'essayez pas de monter la produit si vous êtes fatigué, si vous êtes sous l'effet de drogues, de médicaments ou d'alcool ou encore si vous êtes sujet aux vertiges.
- Les objets chauds tels qu'un barbecue, un chalumeau ou autre article ayant été récemment utilisés, ne doivent pas être rangés dans la produit.
- Avant de planter les piquets, assurez-vous qu'aucun tuyau ni câble n'est enterré à l'endroit sélectionné pour l'installation.
- Ce produit a été conçu pour être principalement utilisé comme serre.
- **Veillez noter :** Nous recommandons fortement d'ancrer le produit directement sur une base solide afin d'augmenter la stabilité et la résistance au vent du produit dans les zones où les conditions météorologiques sont défavorables. Veillez à ce qu'il n'y ait pas d'obstacles entre la zone de montage et la position finale du produit. Le kit d'ancrage Palram - Canopia est disponible à l'achat séparément.

ENTRETIEN & MAINTENANCE

- Pour nettoyer votre produit, utilisez une solution détergente douce et rincez à l'eau claire et froide.
- NE PAS utiliser d'acétone ni de produits nettoyants ou autres détergents spéciaux pour nettoyer les panneaux clairs.
- Nettoyez le produit une fois le montage termine.

OUTILS ET ÉQUIPEMENT

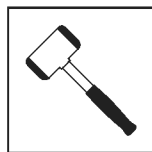


Nécessite
2 personnes

x2



Gants de travail



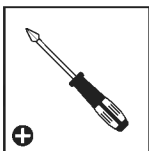
Maillet en
caoutchouc



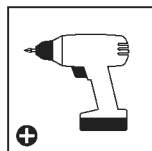
Chiffon microfibre



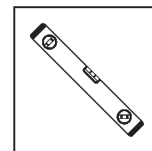
Spray lubrifiant



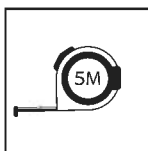
Tournevis
cruciforme



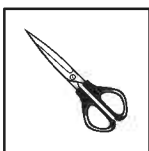
Perceuse
Tête Philips



Niveau



Mètre



Ciseaux



Clé
10 mm | 13/32"

AVANT LE MONTAGE

1. Choisir un endroit :
 - La produit doit être positionnée et fixée sur une surface plane et horizontale.
 - Choisissez un endroit ensoleillé loin des arbres en saillie.
2. Nous vous recommandons fortement de sécuriser cette produit directement à une fondation en béton solide. Utilisez les trous pré-perçés dans la base métallique au moment de le faire.
3. Il s'agit d'un assemblage multi parties qu'il vaut mieux réaliser à deux. Comptez au moins une demi journée pour le processus de montage.
4. Retirez tous les composants des paquets. Triez les éléments et vérifiez la liste. Les éléments doivent se trouver à portée de main.
5. Gardez tous les petits éléments (vis etc.) dans un bol pour ne pas les perdre.
6. Veuillez noter que des coupes multi faces sont utilisées dans cette produit. C'est pourquoi certains trous dans les coupes ne sont pas utilisés pendant le montage.
7. Veuillez vérifier toutes les instructions avant de commencer. Procédez aux étapes de montage dans l'ordre exact.
8. Veuillez consulter les autorités locales au cas où des permis sont nécessaires pour la construction du produit.
9. Les dessins de ce manuel correspondent à un produit 8' x 8' + un kit d'extension 4'. Veuillez prendre en note que la liste du contenu fait uniquement référence à produit 8' x 8'.

DURANT L'ASSEMBLAGE

- Assurez-vous que la base soit bien carrée en mesurant les diagonales et le nivelage à l'aide d'un niveau à bulle.
- Vous pouvez utiliser un spray de lubrifiant pour silicone afin de vous aider à glisser les panneaux dans les profilés.
- Ne pulvérisez pas les panneaux en polycarbonate.
- Utilisez un maillet en caoutchouc si nécessaire.



- Pendant le montage, vous verrez l'icône d'information, veuillez-vous référer à la phase de montage correspondante pour des commentaires et une assistance supplémentaires.



- Cette icône indique que l'installateur doit être à l'intérieur du produit



- Cette icône indique que l'installateur doit être en dehors du produit.

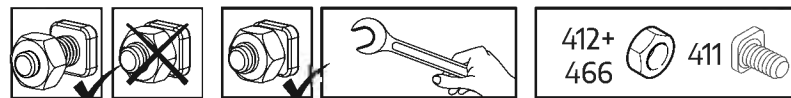


- Toutes les étapes de module d'extension sont marquées avec un contour en pointillés dans l'intégralité du processus d'assemblage du produit.

RECOMMANDATIONS IMPORTANTES

- Connectez du produit fermement à une surface nivelée après l'achèvement de l'assemblage.
- Cette étape d'ancrage du produit au sol est essentielle à sa stabilité et à sa rigidité, elle est de plus nécessaire pour assurer la validité de votre garantie.
- Pendant le montage, placez une surface souple sous les pièces pour éviter de les érafler ou de les endommager.
- Serrez toutes les vis une fois l'assemblage terminé.
- Les vis **411** et écrous **412 & 466** servent tout au long de la procédure.
- Les vis **411** se placent à l'extérieur et les écrous **412 & 466** à l'intérieur de la serre.

- Ne serrez les vis et écrous (**411, 412 & 466**) que de 2 à 3 tours, pas plus. Ne les serrez pas tant que l'assemblage n'est pas complètement terminé, sauf indication contraire.
- Cependant, la réalisation de certaines étapes peut nécessiter le serrage provisoire de quelques vis pour empêcher un profilé de tomber en attendant qu'il soit entièrement intégré à l'ensemble de la structure dans les étapes suivantes.





PRINCIPALES ÉTAPES D'ASSEMBLAGE

Lorsque vous rencontrez cette icône d'information pendant l'assemblage, veuillez vous référer à l'étape d'assemblage correspondante pour d'autres commentaires importants.

- Étape 3:** Lors de l'ancrage du produit au sol, assurez-vous de permettre le libre mouvement de l'élément #4. Reportez-vous au dessin marqué en bas de page + "Foundation SNG 8" page.
- Étape 6:** Après avoir connecté le profil **816** à tous les autres, nettoyez les zones de connexion avec le chiffon. Ne placez la bande couvrante qu'une fois la connexion sèche et propre.
- Étape 8:** Après avoir connecté le profil **858** à tous les autres, nettoyez les zones de connexion avec le chiffon. Ne placez la bande couvrante qu'une fois la connexion sèche et propre.
- Étapes 9, 10:** Utilisez la **partie 95** comme modèle afin de mesurer l'écart entre les poaux du mur et du toit de la serre.
- Étape 10:** Le profil **841** doit être placé sur la partie droite. Le profil **840** doit être placé sur la partie gauche quand on les regarde depuis le devant de la serre.

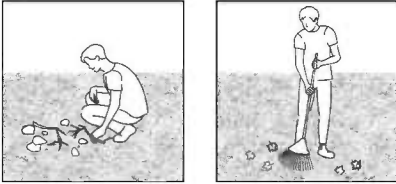
- Étape 11:** Faire glisser le panneau **566** depuis la fin du rail et l'insérez dans sa position finale comme indiqué sur l'illustration a et d.
- Étapes 17, 21:** Reportez-vous à la page "Mounting window" pour connaître les options d'installation de la fenêtre.
- Étapes 20, 21:** Au cas où la fenêtre ne ferme pas correctement, veuillez relâcher les vis, ajustez la coupe et serrez les vis.
- Étape 35:** Les profils **814** doivent être insérés depuis les 4 coins de la serre, installez ensuite entre eux le profil **815**.
- Étape 36:** Stellen Sie sicher, dass Sie die lange Schraube **450** verwenden um den Türfänger 34 zu sichern, wie in Abbildung a gezeigt wird.

STANDORTWAHL & FUNDAMENT

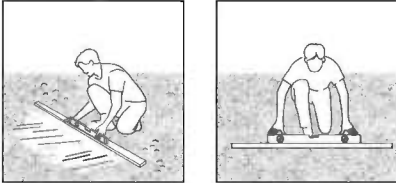
A - VORBEREITUNG DES UNTERGRUNDES

Das Produkt muss auf einem **festen und absolut ebenmäßigen** Untergrund aufgebaut werden, um eine einwandfreie Funktion zu gewährleisten.

1 - Standort säubern



2 - Untergrund ausgleichen und nivellieren



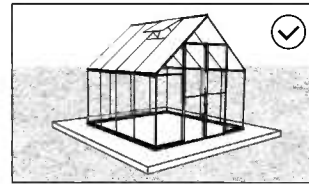
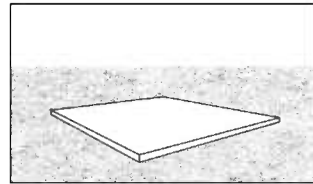
WICHTIG

Bevor Sie mit der Montage beginnen, vergewissern Sie sich bitte beim zuständigen Bauamt, ob es in Ihrer Region Einschränkungen oder Auflagen für den Bau des gewählten Produktes gibt. Wir bitten Sie außerdem zu prüfen, ob eine Genehmigung für den Bau erforderlich ist.

B - FUNDAMENTWAHL

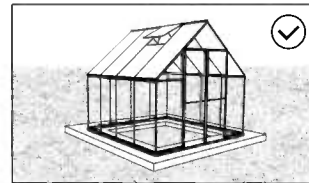
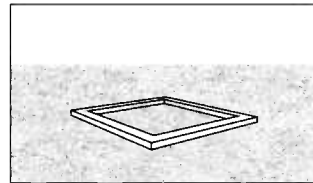
Als Untergrund stehen folgende Materialien zur Auswahl (Empfehlung):
Beton | Druckbehandeltes Holz/Holzdeck | Pflastersteine

Option 1: Fester Untergrund



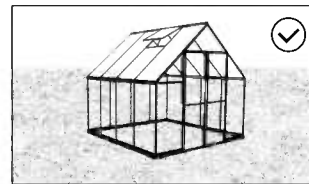
Optimal

Option 2: Fester Rahmen



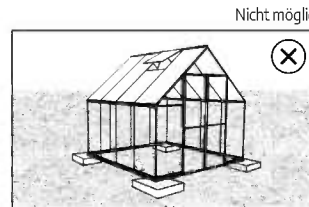
Optimal

Option 3: Erdboden / Gras



Möglich

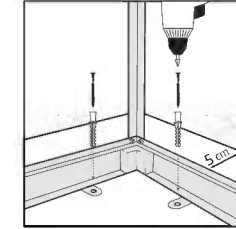
*Die Größe des abgebildeten Gewächshauses dient nur zur Veranschaulichung und entspricht möglicherweise nicht der Größe Ihres Gewächshauses.



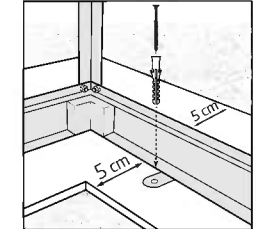
Nicht möglich

C - BEFESTIGUNG AM FUNDAMENT

Befestigen Sie das Produkt auf einem festen Untergrund



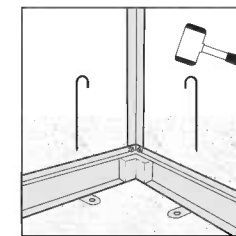
Achten Sie bei einem festen Fundament darauf



Mit geeigneten Dübeln und Schrauben oder Mauerwerksankern, je nach gewähltem Fundamenttyp (nicht mitgeliefert).

Stellen Sie sicher, dass zwischen der Basis des Produkts und den Kanten Ihres Fundaments auf allen Seiten mindestens 5 cm Abstand sind.

Montieren Sie das Produkt direkt auf dem Rasen/Boden



Müssen ausreichend lange Erdanker verwendet werden.

Sichern Sie das Produkt auf dem Boden/Rasen mit geeigneten langen Pflöcken (nicht im Lieferumfang enthalten) auf der Bodenoberfläche.

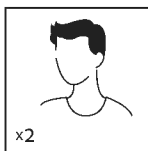
SICHERHEITSHINWEISE

- Es ist sehr wichtig, dass alle Teile gemäß den Anweisungen ja dieser Anleitung zusammenzubauen. Lassen Sie bitte keinen Schritt aus.
- Tragen Sie während des Aufbaus unbedingt Arbeitshandschuhe. Außerdem empfehlen wir ausdrücklich das Tragen von festem Schuhwerk und einer Schutzbrille.
- Achten Sie beim verwenden einer Leiter oder Elektrowerkzeug bitte auf die jeweiligen Sicherheitshinweise des Herstellers.
- Berühren Sie mit den Aluminiumprofilen keine Oberleitungen.
- Halten Sie Kinder vom Aufbaubereich fern.
- Die Montage darf nur bei trockenem und windstillem Wetter erfolgen.
- Entsorgen Sie alle Plastiktüten sicher und bewahren sie außerhalb der Reichweite von kleinen Kindern auf.
- Während des Aufbaus sollten Sie sich nicht gegen das Produkt lehnen oder Druck ausüben.
- Suchen Sie einen windgeschützten Standort für das Produkt aus.
- Versuchen Sie nicht, dieses Produkt zu montieren, wenn Sie müde sind, Drogen oder Alkohol zu sich genommen haben oder zu Schwindelanfällen neigen.
- Heiße Gegenstände wie kürzlich benutzte Grills, Lötlampen usw. dürfen nicht im Produkt gelagert werden.
- Vergewissern Sie sich, dass sich keine versteckten Rohre oder Kabel im Boden befinden, bevor Sie die Erdanker einsetzen.
- Dieses Produkt ist hauptsächlich für die Verwendung als Gewächshaus vorgesehen.
- **Bitte beachten:** Wir empfehlen dringend, das Produkt direkt auf einem soliden Fundament zu verankern, um die Stabilität und Windbeständigkeit des Produkts in Gebieten mit strengen Wetterbedingungen zu erhöhen. Stellen Sie sicher, dass sich keine Hindernisse zwischen dem Montagebereich und der endgültigen Position des Produkts befinden. Der Palram - Canopia-Verankerungssatz kann separat erworben werden.

PFLEGE & WARTUNG

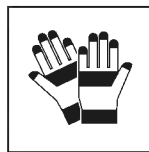
- Zur Reinigung verwenden Sie ein mildes Reinigungsmittel und spülen es mit kaltem, sauberem Wasser nach.
- Verwenden Sie zur Reinigung der Paneele KEIN Aceton und auch keine anderen scheuernden Reinigungsmittel oder andere Spezialreiniger.
- Säubern Sie das Produkt nach dem Aufbau.

WERKZEUGE & AUSTRÜSTUNG

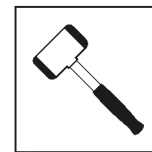


Zwei Personen erforderlich

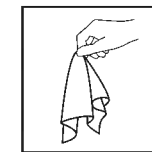
x2



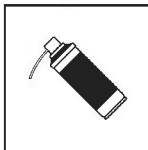
Arbeitshandschuhe



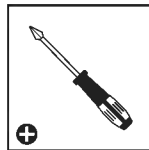
Gummihammer



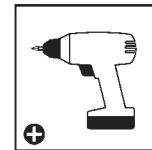
Mikrofasertuch



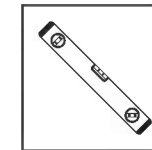
Schmierstoffspray



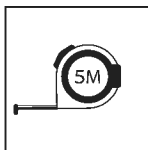
Kreuzschlitzschraubendreher



Akkubohrer - Kreuzschlitzaufsatz



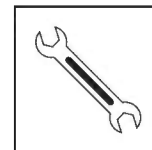
Wasserwaage



Maßband



Schere



Schraubenschlüssel
10 mm | 13/32"

VOR DEM ZUSAMMENBAU

1. Die Standortwahl:
 - Das Produkt muss auf einem flachen Untergrund aufgestellt und befestigt werden.
 - Wählen Sie eine sonnige Position abseits von überhängenden Bäumen.
2. Wir empfehlen dringend, das Produkt direkt auf einem betonierten Fundament zu befestigen.
3. Für die Montage dieses Produktes sind zwei Personen erforderlich. Nehmen Sie sich für den Zusammenbau mindestens einen halben Tag Zeit.
4. Packen Sie die Bauteile aus und überprüfen Sie, ob alle Teile der Liste aufgeführt sind. Nehmen Sie die Teile sollten griffbereit ausgelegt werden.
5. Bewahren Sie alle kleinen Teile (Schrauben usw.) in einer Schüssel, damit nichts verloren geht.
6. Beachten Sie bitte, dass bei diesem Produkt mehrseitige Profile verwendet werden.
7. Während des Zusammenbaus sind daher nicht alle Löcher in den Profilen relevant.
8. Lesen Sie vor Beginn des Aufbaus die gesamte Anleitung durch.
9. Führen Sie die Montageschritte in genauer Reihenfolge durch.
10. Bitte erkundigen Sie sich bei den örtlichen Behörden, ob vor dem Aufbau des Produktes eine Genehmigung erforderlich ist.
11. Die Zeichnungen in diesem Handbuch beziehen sich für den 8' x 8' Schuppen mit dem + 4' Extension Kit. Bitte beachten Sie, dass sich die Inhaltsliste nur auf 8' x 8' Schuppen bezieht.

WÄHREND DER MONTAGE

- Vergewissern Sie sich, dass die Basis sowohl quadratisch als auch waagrecht ist, indem Sie die Diagonalen messen und die Basis mit einer Wasserwaage prüfen.
- Sie können Silikonschmierspray auf den Rahmen sprühen, um das Einschieben der Platten in die Profile zu erleichtern.
- Besprühen Sie nicht die Polycarbonat-Platten.
- Nehmen Sie – falls nötig – einen Gummihammer zur Hilfe.



- Während der Montage begegnet Ihnen das Informationssymbol, weitere Hinweise und Hilfestellungen finden Sie auf der Seite "WICHTIGE MONTAGESCHRITTE".



- Dieses Symbol zeigt an, dass sich die installierende Person im Inneren des Produktes befinden sollte.



- Dieses Symbol zeigt an, dass sich die installierende Person an der Außenseite des Produktes befinden sollte.

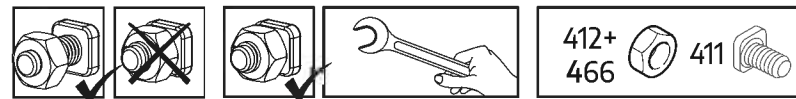


- alle Erweiterungsmodul Schritte sind mit gestrichelter Umriss markiert sein sollte im Gewächsmontageprozess durchgeführt wird.

WICHTIGE HINWEISE

- Befestigen Sie das Produkt sofort nach Fertigstellung der Montage auf einem ebenen Untergrund.
- Die Verankerung dieses Produkts im Boden ist für seine Stabilität und Standfestigkeit von maßgeblicher Bedeutung.
- Legen sie während des Aufbaus eine weiche Unterlage unter die einzelnen Teile, um Kratzer und Schäden zu vermeiden.
- Die Verankerung dieses Produkts im Boden ist für seine Stabilität und Standfestigkeit unerlässlich. Eine ordentlich Befestigung ist erforderlich, damit die Garantie gültig ist. Ziehen Sie nach Abschluss der Montage alle Schrauben fest.
- Die Schrauben **411** und Muttern **411, 412 & 466** werden während des gesamten Montagevorgangs benötigt. Bitte montieren Sie die Schrauben **411** immer von außen und die Muttern **411, 412 & 466** immer von der Innenseite des Gewächshauses.

- Wenn nicht anders spezifiziert, ziehen Sie Schrauben und Muttern (**411, 412 & 466**) erst nach Fertigstellung der Plattenmontage und nicht öfter als 2-3 Umdrehungen an. Diese 2 Symbole unten zeigen an, ob das Anziehen der Schrauben erforderlich ist oder nicht.
- Bei einigen Schritten kann jedoch ein vorübergehendes Anziehen einiger Schrauben erforderlich sein, um das Herausrutschen eines Profils zu verhindern.





WICHTIGE MONTAGESCHRITTE

Wenn Sie bei der Montage auf dieses Informationssymbol stoßen, finden Sie im jeweiligen Montageschritt wichtige Zusatzhinweise.

- Schritt 3:** Während Sie das Produkt am Boden verankern, stellen Sie sicher, dass sich Teil #4 frei bewegen kann. Beachten Sie die Zeichnung unten auf der Seite + “**Foundation SNG 8**“ Seite.
- Schritt 6:** Nach dem gegenseitigen Zusammenschließen von Profilen **816**, reinigen Sie den Anschlussbereich mit einem Tuch. Legen Sie das Abdeckband auf die Verbindung nur wenn es sauber und trocken ist.
- Schritt 8:** Nach dem gegenseitigen Zusammenschließen von Profilen **858**, reinigen Sie den Anschlussbereich mit einem Tuch. Legen Sie das Abdeckband auf die Verbindung nur wenn es sauber und trocken ist.
- Schritte 9, 10:** Verwenden Sie Teil **Nr. 95** als Vorlage, um die Lücke zwischen Pfosten des Gewächshauses im Wand -und Dachbereich zu messen.
- Schritt 10:** Profil **841** sollte auf der rechten Seite platziert werden. Profil **840** sollte auf der linken Seite platziert werden, wenn von vorne betrachtet.

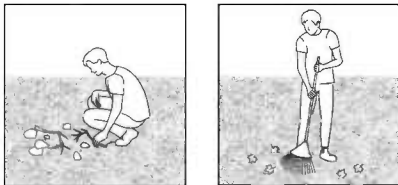
- Schritt 11:** Schieben Sie das Paneel 566 bis zum Ende der Schiene und stecken Sie dieses in seiner endgültigen Position wie in Illustration d dargestellt wird.
- Schritte 17, 21:** Siehe die Seite “**Mounting window**” für Optionen, wo das Fenster installiert werden kann.
- Schritte 20, 21:** Falls das Fenster nicht richtig schließen sollte, lösen Sie bitte die Schrauben, passen Sie die Profile an und ziehen Sie die Schrauben wieder fest.
- Schritt 35:** Profile **814** soll von den vier Ecken des Gewächshauses eingefügt werden legen Sie dann Profil **815** dazwischen.
- Schritt 36:** Stellen Sie sicher, dass Sie die lange Schraube **450** verwenden um den Türfänger 34 zu sichern, wie in Abbildung a gezeigt wird.

PREPARACIÓN DEL SITIO Y CIMENTACIÓN

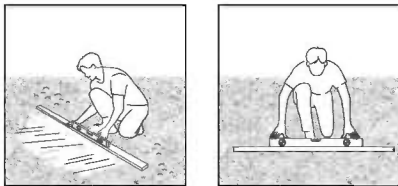
A - PREPARE EL SITIO

Este producto debe construirse sobre una **base sólida y una superficie nivelada** para que funcione correctamente.

1 - Limpie el sitio



2 - Nivele el terreno



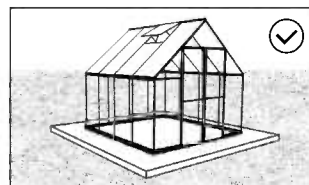
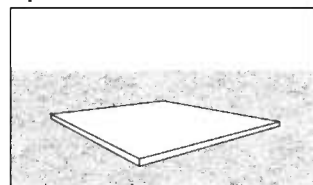
IMPORTANTE

Recomendamos comprobar las restricciones o convenios para la construcción de este producto en su área. Además, aconsejamos comprobar si necesita presentar algún formulario o si se requiere algún permiso antes de construir el producto.

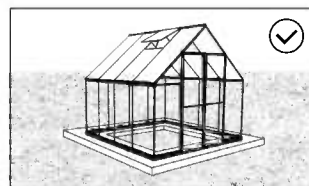
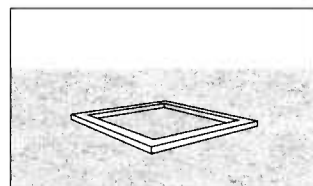
B - ELIJA EL TIPO DE CIMENTACIÓN

Como base, recomendamos usar tres tipos de materiales:
Hormigón | Madera prensada | Piso de madera | Adoquín de hormigón.

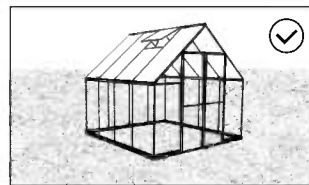
Opción 1: Base sólida



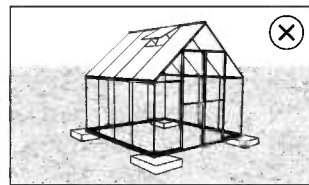
Opción 2: Estructura sólida



Opción 3: Tierra firme / césped

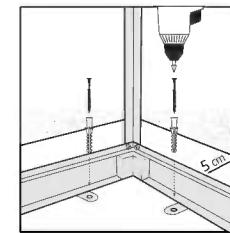


* El tamaño del invernadero que se muestra tiene un propósito meramente ilustrativo y puede no reflejar el tamaño de su invernadero.

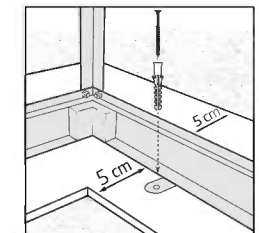


C - ANCLAJE A LOS CIMIENTOS

Sobre una base sólida

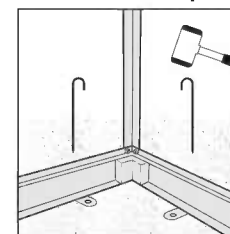


En una estructura sólida



Asegure el producto a los cimientos de su elección, usando tornillos y tacos adecuados o anclajes de mampostería (no suministrados). Asegúrese de tener al menos 5 cm | 2" entre la base del producto y el perímetro de su cemento - **en todos los lados.**

Sobre tierra / césped



Asegure el producto a la superficie del terreno usando clavijas largas y adecuadas (no suministradas).

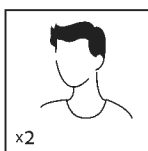
CONSEJOS DE SEGURIDAD

- Es de suma importancia montar todas las partes de acuerdo con las instrucciones. No se salte ningún paso.
- Recomendamos firmemente el uso de guantes de trabajo durante el montaje.
- Use siempre zapatos y gafas de seguridad al trabajar con aluminio extruido.
- Al usar una escalera plegable o herramientas eléctricas asegúrese de que sigue las instrucciones de seguridad de los fabricantes.
- No toque los cables eléctricos aéreos con los perfiles de aluminio.
- No intente montar el invernadero en días de viento o días con humedad.
- Disponga todas las bolsas plásticas en lugar seguro - guárdelas fuera del alcance de niños.
- Mantenga a los niños fuera del área de montaje.
- No se apoye ni empuje el producto durante la construcción.
- No coloque su producto en un área expuesta al viento excesivo.
- No intente montar este producto si usted está cansado, ha tomado drogas o alcohol o si usted es propenso a ataques de mareo.
- Artículos calientes recientemente usados tales como parrillas, sopletes etc. no deben ser almacenados en el producto.
- Asegúrese de que no haya ninguna tubería o cables ocultos en la tierra antes de insertar las clavijas.
- Este producto fue diseñado para ser utilizado principalmente como un invernadero.
- **Nota:** Recomendamos encarecidamente anclar el producto directamente a una base sólida para aumentar la estabilidad y la resistencia al viento del mismo en zonas con condiciones meteorológicas adversas. Asegúrese de que no haya obstáculos entre la zona de montaje y la posición final del producto. El kit de anclaje de Palram - Canopia puede adquirirse por separado.

CUIDADOS & MANTENIMIENTO

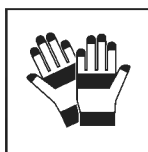
- Cuando precise limpiar su producto, use una solución de detergente suave y aclare con agua limpia fría.
- NO use acetona, limpiadores abrasivos u otros detergentes especiales para limpiar los paneles transparentes.
- Limpie el producto una vez terminado el montaje.

HERRAMIENTAS Y EQUIPOS

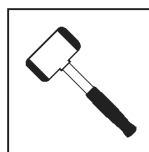


Se necesitan dos personas

x2



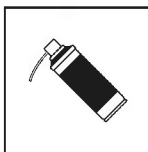
Guantes de trabajo



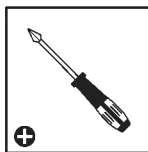
Martillo de goma



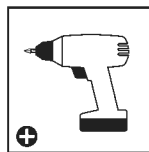
Tela de microfibra



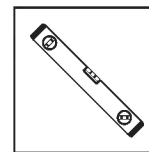
Aceite en aerosol



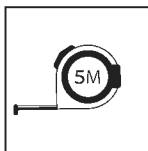
Destornillador de cabeza Philips



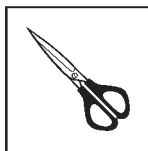
Taladro inalámbrico: cabeza Philips



Regla de nivel



Cinta métrica



Tijeras



Llave 10 mm | 13/32"

ANTES DEL MONTAJE

1. Seleccionar un lugar:
 - El producto debe colocarse y fijarse en una superficie plana y nivelada.
 - Escoja una ubicación soleada y apartada de árboles que la cubran.
2. Recomendamos encarecidamente que el producto se fije directamente sobre cimientos de cemento sólido. Para hacer esto, utilice los agujeros previamente taladrados en la base de metal.
3. Este montaje consta de varias partes y sería óptimo que lo realizaran dos personas. El proceso de montaje llevará alrededor de medio día.
4. Extraiga todas las piezas de componentes de sus embalajes. Ordene las piezas y compruebe que están todas usando la lista de contenidos.
5. Las piezas deberían colocarse cerca y tenerlas a mano. Ponga las piezas pequeñas (p. ej. tornillos) en un bol para no perderlas.
6. Por favor, tenga en cuenta que este producto incluye perfiles con múltiples superficies. Como resultado, algunos de los agujeros de los perfiles no se utilizan durante el montaje.
7. Por favor, revise todas las instrucciones antes de empezar. Siga los pasos del montaje en el orden exacto.
8. Consulte las limitaciones, requisitos, permisos y a las autoridades locales para la construcción de este cobertizo de jardín.
9. Los dibujos en este manual están diseñados para cobertizos de 8' x 8' + Kit de ampliación de 4'. Tenga en cuenta que la lista de contenido es solo para cobertizos de 8' x 8'.

DURANTE EL MONTAJE

- Asegúrese de que la base es cuadrada, midiendo las diagonales y el nivel mediante el uso de un nivel de burbuja.
- Puede utilizar spray lubricante de silicona para facilitar el deslizamiento de los paneles en los contornos.
- No ponga spray en los paneles de policarbonato.
- Use un martillo de goma si hiciera falta.



- Cuando encuentre el ícono de información, por favor lea con cuidado dicho paso con comentarios y asistencia adicionales.



- Este ícono indica que el instalador debe estar dentro del producto.



- Este ícono indica que el instalador debe estar fuera del producto.

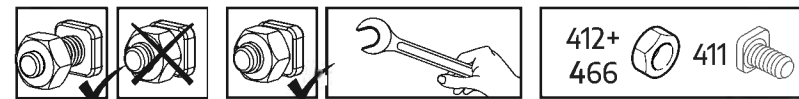


- Todos los pasos del módulo de ampliación están marcados íntegramente con un contorno de trazos en el proceso de montaje del invernadero.

RECOMENDACIONES IMPORTANTES

- Conecte firmemente el producto a una superficie nivelada inmediatamente después de terminar el montaje.
- Por favor, tenga en cuenta: Anclar este producto al suelo es esencial para su estabilidad y rigidez. Es necesario completar esta fase para que su garantía sea válida.
- Durante el montaje, ponga algo suave por debajo de las piezas, para evitar que se rayen o estropeen.
- Apriete todos los tornillos una vez esté completado el montaje.
- Los tornillos **411** y las tuercas **412 & 466** son usados durante todo el proceso de montaje.
- Los tornillos **411** deben ser montados desde el exterior y las tuercas **412 & 466** desde el interior del invernadero.

- No apriete los tornillos y tuercas (**411 y 412 & 466**) más de 2-3 vueltas. No los apriete hasta terminar el montaje de los paneles, a menos que orientado de otra manera.
- Sin embargo, en algún paso puede ser necesario apretar de forma temporal algunos tornillos para evitar que se caiga un perfil.





PASOS DE MONTAJE IMPORTANTES

Al encontrar este icono de información durante el montaje, consulte el paso de montaje correspondiente para obtener importantes comentarios adicionales.

- Paso 3:** Al anclar el producto al suelo, asegúrese de permitir el libre movimiento del ítem #4. Consulte el dibujo indicado en la parte inferior de la página + “**Foundation SNG 8**” página.
- Paso 6:** Después de conectar los perfiles **816** unos a otros, limpiar la zona de conexión con un paño.
Coloque el listón de cobertura en la conexión sólo cuando esté limpia y seca.
- Paso 8:** Después de conectar los perfiles **858** unos a otros, limpiar la zona de conexión con un paño.
Coloque el listón de cobertura en la conexión sólo cuando esté limpia y seca.
- Pasos 9, 10:** Use la **parte 95** como una plantilla con el fin de medir la brecha entre los postes de la pared del invernadero y el área del techo.
- Paso 10:** Perfil **841** debe ser puesto a mano derecha. Perfil **840** debe ser colocado en el lado izquierdo cuando se mira desde el frente.

- Paso 15:** Deslice el panel de **566** hasta el fin del riel e insértelo en su posición final como se muestra en la illustration d.

- Pasos 17, 21:** Consulte la página “**Mounting window**” para conocer los posibles lugares de instalación de la ventana.

- Pasos 20, 21:** En el caso de que la ventana no cierre adecuadamente, por favor, extraiga los tornillos, ajuste el perfil y apriete los tornillos.

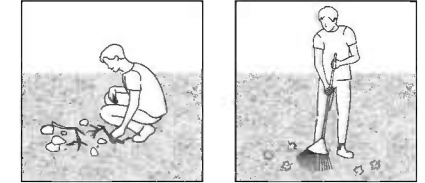
- Paso 35:** Perfiles **814** deben ser insertados de las cuatro esquinas del invernadero, a continuación, inserte el perfil **815** entre ellos.

- Paso 36:** Asegúrese de utilizar tornillos largos **450** para asegurar el retenedor de la puerta 34 que figura en la ilustración a.

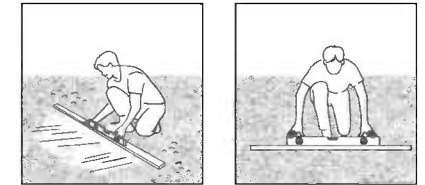
א. הכן את האתר

את המוצר יש להקים על **קרקע יציבה ומפולסת** בכדי שהוא יתפקד כראוי.

1 - פנה את האתר



2 - פלס את הקרקע



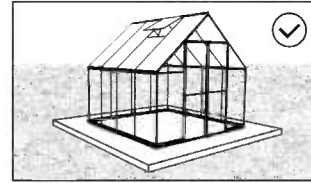
חשוב

אנו ממליצים לבדוק האם יש מגבלות חוקיות להקמת מבנה זה באזורכם. בנוסף, אנחנו מציעים שתבדקו האם אתם חייבים להגיש טפסים כלשהם, האם יש צורך בהיתר לפני שאתם מתחילים בבנייתו של המוצר.

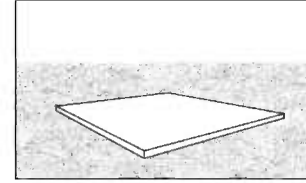
ב. בחר את סוג היסודות שלך

בתור בסיס אנו ממליצים לעשות שימוש בשלושה סוגי חמרים: בטון | עץ שעבר טיפול הקשייה/דק עץ | בלוקים לריצוף

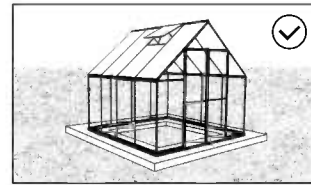
מועדף



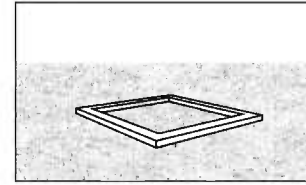
אופציה ראשונה: בסיס מוצק



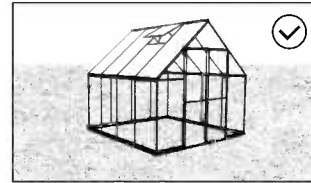
מועדף



אופציה שניה: מסגרת מוצקה



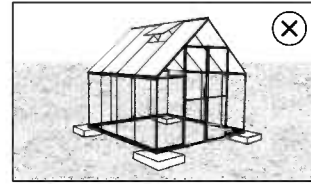
אפשרי



אופציה שלישית: קרקע מהודקת / עשב



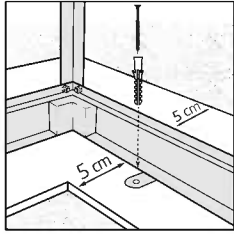
בלתי אפשרי



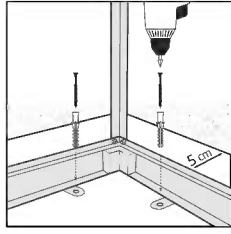
* גודל החממה המוצג הינו להדגמה בלבד ולא מייצג את גודל החממה שלכם.

ג. עגן את הבסיס

על מסגרת מוצקה



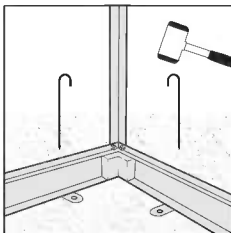
על בסיס מוצק



חבר את המוצר לבסיס (יסוד) שבחרת והשתמש בברגים מתאימים וסגרים, או עוגני בנאות (לא סופקו).

וודאו שיש לכם לכול הפחות 5 סמ' בין מסגרת המוצר וקצות הבסיס (היסוד) - **בכול הצדדים**.

על אדמה/עשב



חזק את המצור אל פני הקרקע תוך שימוש ביתדות ארוכים מתאימים (לא סופקו).

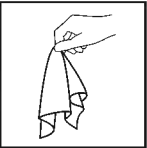


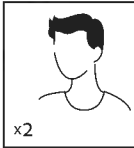
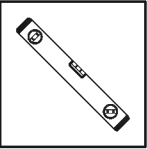


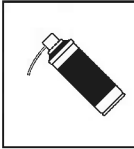


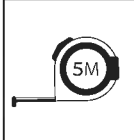
הצעת בטיחות

- יש להקפיד ולהרכיב את כל החלקים בהתאם להוראות. אין לדלג על שום שלב.
- אנו ממליצים מאד להשתמש בכפפות עבודה במהלך ההרכבה.
- בעת השימוש באלומיניום משוחל יש לנעול תמיד נעלי עבודה ומשקפי מגן.
- בשימוש בסולם או במכשירים חשמליים, יש למלא אחר הוראות הבטיחות של היצרן.
- יש להמנע ממגע של פרופילי האלומיניום עם כבלי חשמל עיליים.
- אין לנסות להרכיב את המוצר בזמן רוחות או תנאי רטיבות.
- בכדי למנוע סכנת חנק, יש להרחיק את חומרי האריזה מהישג ידם של ילדים.
- יש להרחיק ילדים מאזור ההרכבה.
- אין להישען על או לדחוף את המוצר בעת ההרכבה.
- אין למקם את המוצר במקום החשוף לרוחות חזקות.
- אין לנסות להרכיב את המוצר במצב עייפות, שימוש בסמים, תרופות או אלכוהול, או אם יש נטייה לסחרחורת.
- אין לאחסן במוצר פריטים חמים כגון גריל שנעשה בו שימוש לאחרונה, מבערים וכד'.
- יש לוודא כי אין בקרקע צינורות נסתרים או כבלים לפני הכנסת היתדות.
- מוצר זה תוכנן לשמש בעיקר כחממה.
- לתשומת לב:** אנו ממליצים מאד לעגן את המוצר ישירות אל בסיס מוצק בכדי להגדיל את יציבות המוצר ועמידות לרוחות באזורים עם תנאי מזג אוויר קשים. יש לוודא כי אין מכשולים בין אזור ההרכבה למיקום הסופי של המוצר. את ערכת העיגון של Palram - Canopia ניתן לרכוש בנפרד.

טיפול ותחזוקה

- כדי לנקות את המוצר יש להשתמש בסבון עדין ולרחוץ במים קרים נקיים.
- אין להשתמש באצטון, חומרי ניקוי שוחקים וסבונים מיוחדים.
- יש לנקות את המוצר בסיום ההתקנה.

כלים וציוד

<input type="checkbox"/> מטלית מיקרופיבר		<input type="checkbox"/> פטיש גומי		<input type="checkbox"/> כפפות עבודה		<input type="checkbox"/> נחוצים שני אנשים x2	
<input type="checkbox"/> פלס מים		<input type="checkbox"/> מקדחה ניידת עם ראש פיליפס		<input type="checkbox"/> מברג פיליפס		<input type="checkbox"/> ספריי שימון	
		<input type="checkbox"/> מפתח 10 mm 13/32"		<input type="checkbox"/> מספריים רגילים		<input type="checkbox"/> סרט מדידה	

לפני ההרכבה

1. בחר בתשומת לב את מיקום ההרכבה לפני תחילת ההרכבה.
2. על הקרקע להיות שטוחה ומפולסת לחלוטין ובעלת בסיס מוצק כגון: בטון, אספלט, דק מעץ וכו'.
3. יש לבחור אזור שטוף-שמש, רחוק מהעצים.
4. אין למקם את המוצר באזור חשוף לרוחות חזקות.
5. יש למקם את המוצר ולקבע אותו על משטח שטוח. אנו ממליצים לקבע את המוצר ישירות לבסיס מוצק. אנא השתמש בחורים הקדווחים מראש בבסיס הפלדה. אנא הכן את האתר לפני פריקת החלקים והתחלת הרכבה.
6. יש למיין את החלקים ולבדוק כמויות אל מול רשימת התכולה.
7. יש להניח את חלקי ההרכבה בקרבה למקום ההרכבה. שמור את החלקים הקטנים בקערה על מנת שלא יאבדו.
8. אנא בדוק מול הרשויות באם יש צורך בהיתרים כלשהם טרם הרכבת המוצר.
9. התרשימים במדריך זה מיועדים למוצר של 8 על 8 רגל + ערכה הרחבה של 4 רגל. יש לציין שתכולת הרשימה מתייחסת רק לסככת ה-8 על 8 רגל.

במהלך ההרכבה

- ודא שהבסיס מרובע על ידי מדידת האלכסון ומפולס היטב לאחר בדיקת פלט.
- ניתן להשתמש בספריי סיליקון בכדי לסייע לך להשחיל את הלוחות אל תוך הפרופילים.
- אין להתיז ספריי סיליקון על לוחות הפולי קרבונט.
- במידת הצורך, השתמש בפטיש גומי.

- כאשר מופיע סימן זה, נא לעיין בשלב ההרכבה המצוין כדי לקרוא הערות ומידע נוסף.



- סמל זה מציינ שעל המרכיב להיות בתוך המוצר.



- סמל זה מציינ שעל המרכיב להיות מחוץ למוצר.

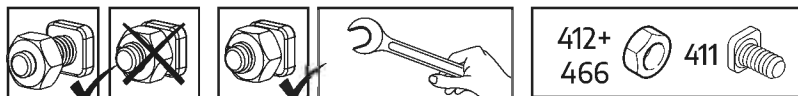


- כל שלבי יחידות הרחבה מסומנות בקו מקווקו ויש לבצעם במהלך הרכבת המוצר.



המלצות חשובות

- שים לב אם לא צוין אחרת, אין להדק את הברגים והאומים יותר מאשר 2-3 סיבובים בלבד.
- אין להדק אותם לפני סיום הרכבת הלוחות. 2 סמלים אלה מציינים האם נחוץ הידוק או לא.
- בחלק מהשלבים, הידוק זמני של הברגים עשוי להיות נחוץ בכדי למנוע את נפילתו של פרופיל.



- עיגון המוצר לקרקע חיוני ליציבות ועמידותו. מיד לאחר השלמת ההרכבה, יש לעגן מיד את המוצר היטב כשהקרקע במצב מפולס. תוקף האחריות תלוי בהשלמת שלב זה.
- בעת ההרכבה, השתמש במשטח רך מתחת לחלקים בכדי למנוע שריטות ונזק.
- הדק את הברגים היטב בסיום ההרכבה.
- ברגים 411 ואומים 412 ו 466 משמשים במהלך כל תהליך ההרכבה.
- ברגים 411 יורכבו מבחוץ ואומים 412 ו 466 יורכבו מחלקה הפנימי של החממה.



שלבים חשובים בהרכבה

כאשר אתם רואים את הסמל הזה במהלך ההרכבה, אנא פנו אל שלב ההרכבה לקבלת הערות חשובות נוספות.

שלב 3:

בקיבוע החממה לרצפה, שים לב לא לחסום את מעבר פריט #4, ראה תמונות + דף "Foundation SNG 8".

שלב 6:

לאחר חיבור פרופילים 816 זה לזה נקה את אזור החיבור באמצעות מטלית. הנח את רצועת הכיסוי על החיבור רק כשהיא נקייה ויבשה.

שלב 8:

לאחר חיבור פרופילים 858 זה לזה נקה את אזור החיבור באמצעות מטלית. הנח את רצועת הכיסוי על החיבור רק כשהיא נקייה ויבשה.

שלבים 9, 10:

השתמש בחלק 95 כסרגל על מנת למדוד את המרחק בין העמודים של קיר החממה ואזור הגג.

שלב 10:

יש להציב את פרופיל 841 בצד ימין. יש למקם את פרופיל 840 בצד שמאל כאשר הוא מביט מלפנים.

שלב 11:

החלק את הלוח 566 עד לקצה המסילה והכנס אותו למצב הסופי שלו כפי שמוצג באיור d.

שלבים 17, 21:

מתייחס לדף "Mounting window" - אופציות היכן להתקין חלון.

שלבים 20, 21:

במקרה שהחלון אינו נסגר כהלכה, יש לשחרר את הברגים, לכוון את הפרופיל ולהדק את הברגים בשנית.

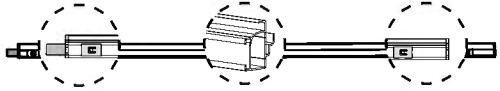




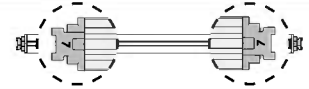






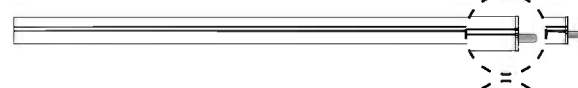

שלב 35:

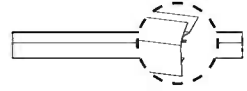

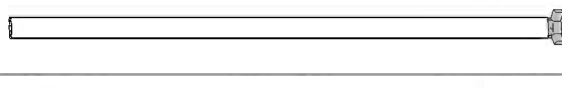
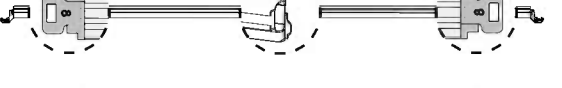
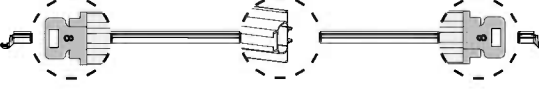

יש להכניס פרופילים 814 מארבע פינות החממה, ואז להכניס פרופיל 815 ביניהם.



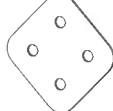

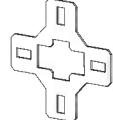
שלב 36:




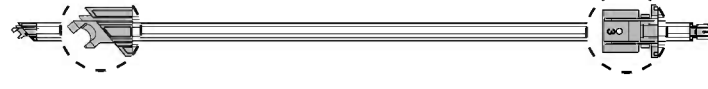

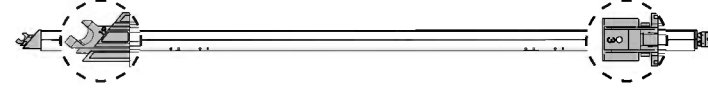
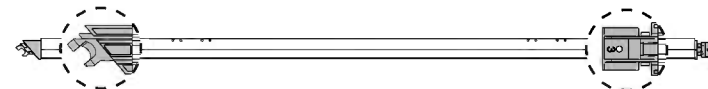
וודא שאתה משתמש בבורג ארוך מס' 450 כדי לאבטח את תפס הדלת 34 כמוצג באיור a.



Contents

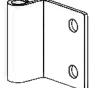
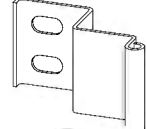
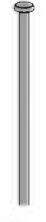


845		1
817		3
824		3
846		1
855		1
844		2
7020		1
7021		1
7022		1
7023		1
848		2
849		2
813		4
816		2

815		2
814		4
850		4
847		4
842		1
843		1

459		3
8469		6
927		2
8550		4
98B		2

835		6
836		6
837		1
838		1
839		1
840		1
841		1

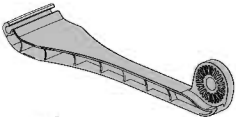
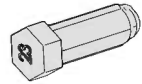
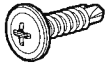

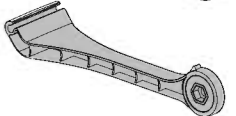




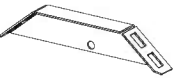
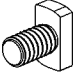
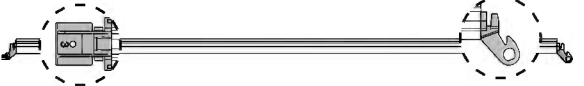


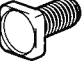
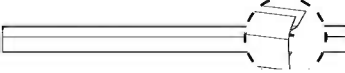

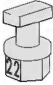


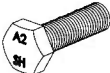

4		1
4		1

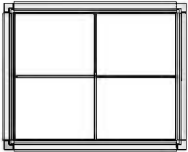
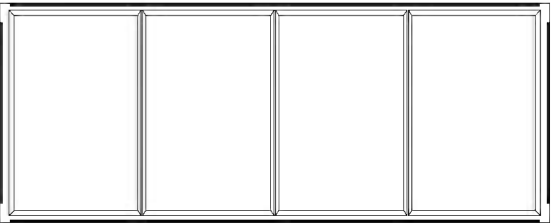
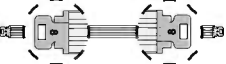

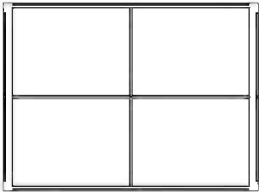
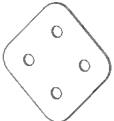



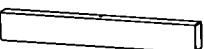
464		8
462		4
463		4
465		16 (+2)
422		16 (+2)

Contents

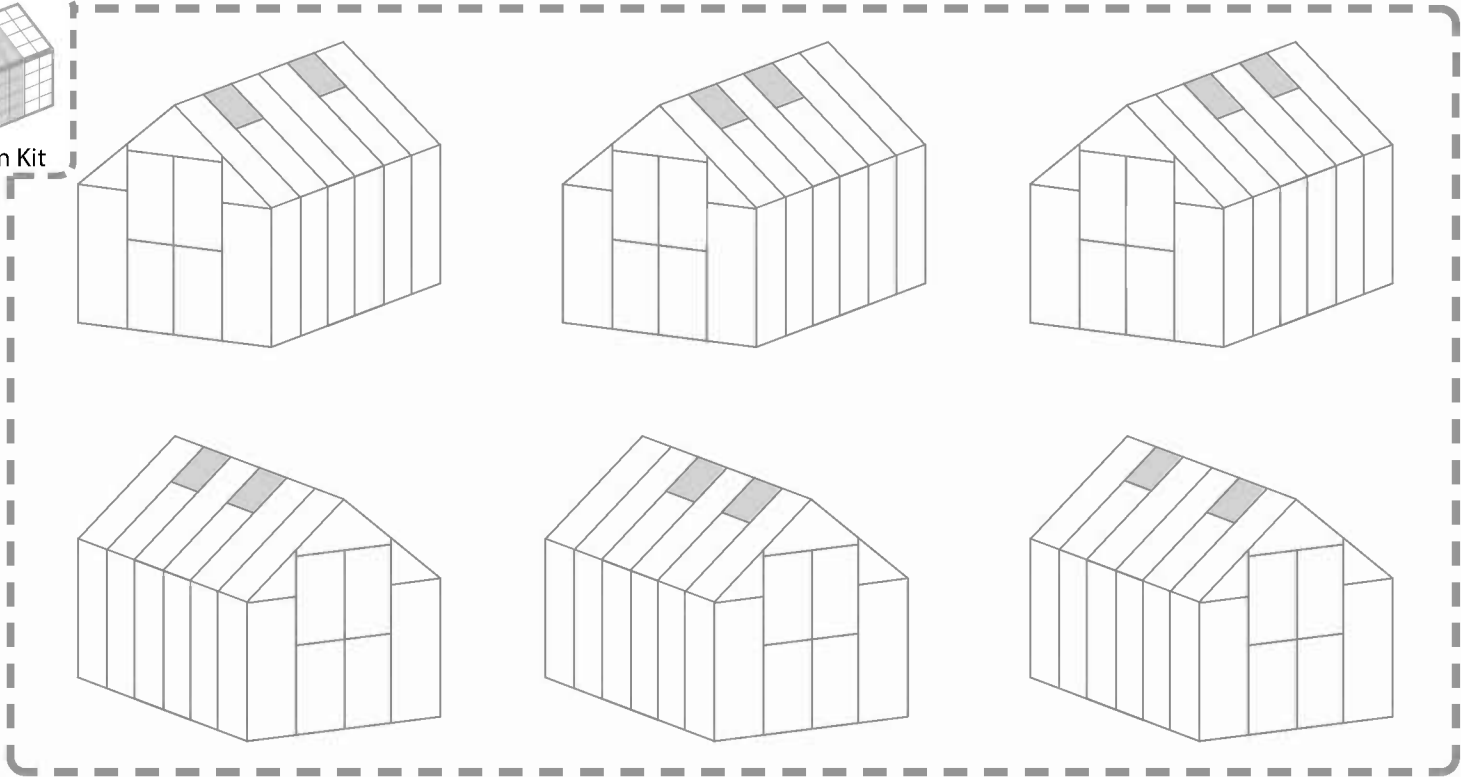
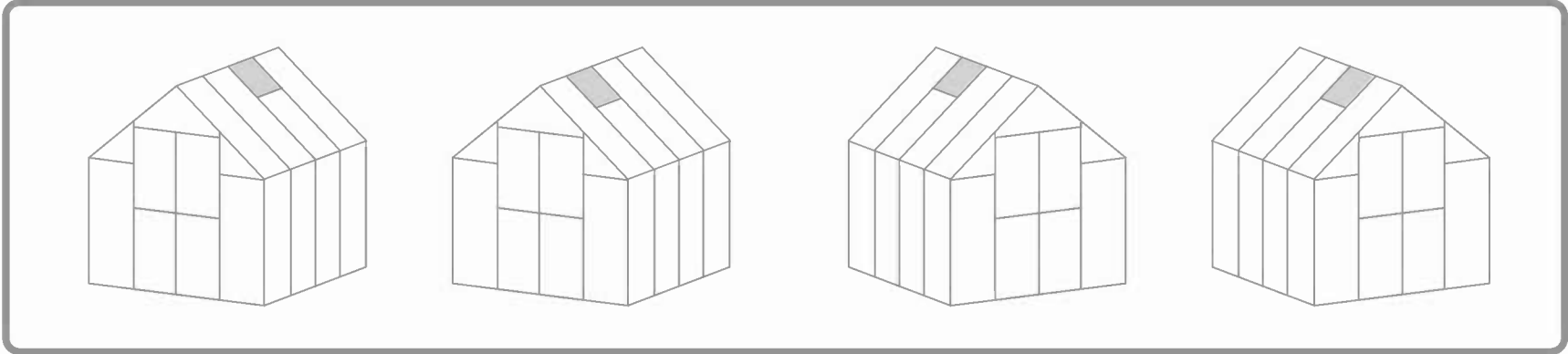
46		2	566		21	8797		1	28		5
47		2				8798		1	29B		3
49A		1	565		1	8801		1	29A		2
49B		1				8799		1	300		2
48		2	564		1	8800		1	101		1
363		1							924		10
34		1				466		74 (+7)	558		1
450		2 (+1)	8584		2	461		61 (+9)	809		1
447		6 (+1)	256		8	411		20 (+2)			
						412		9	562		2
						410		1	559		2
561		2	21		4 (+1)	#95			560		2
563		1	22		12 (+5)	851		1			
			23		9 (+6)	852		2			
			100		1	833		4			

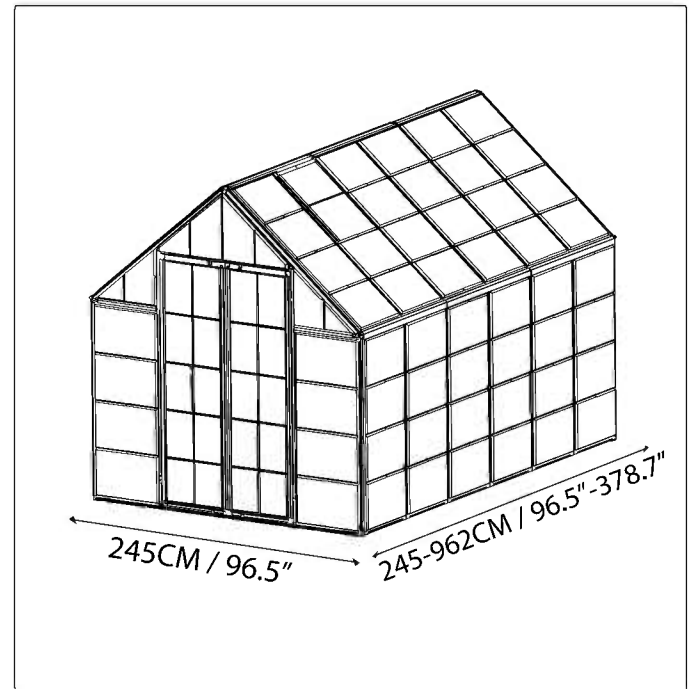
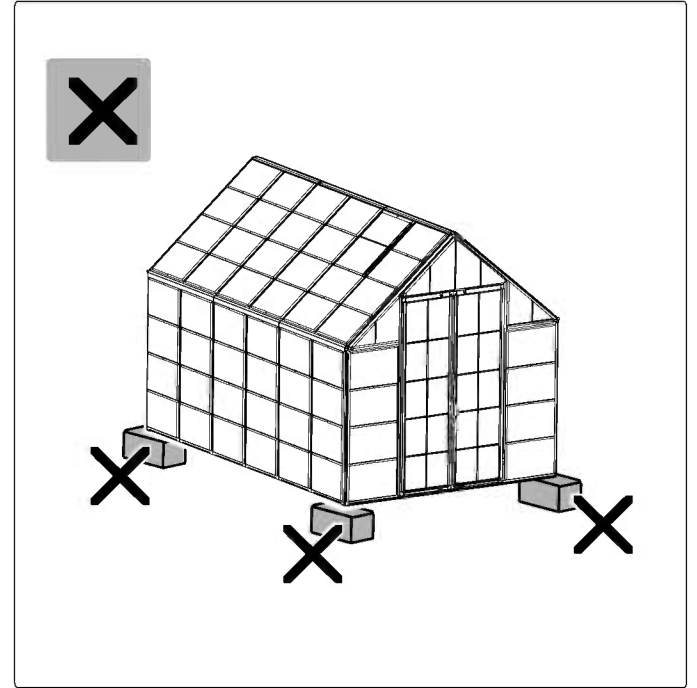
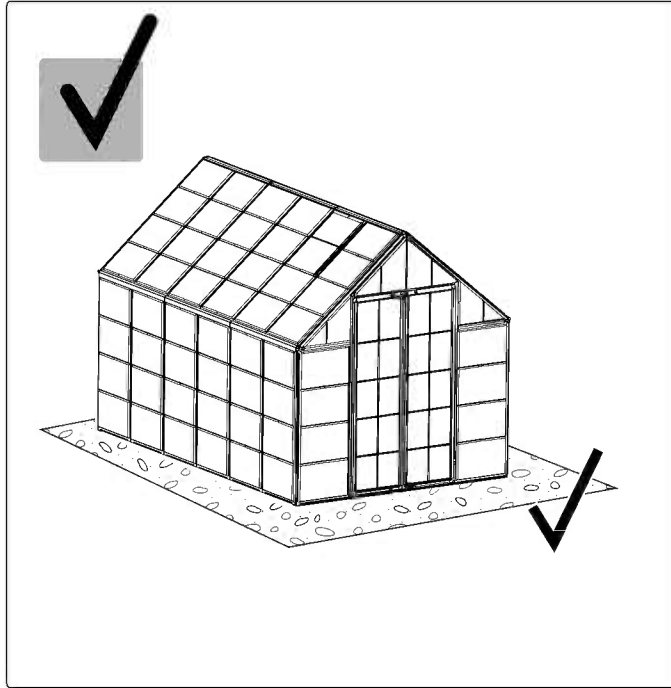
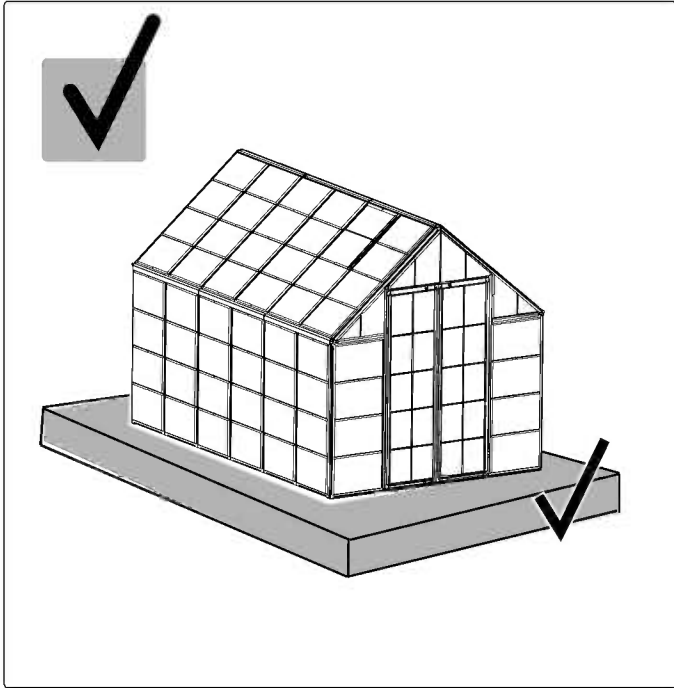
Contents Only For Extension Kit

8797		1	23		6 (+6)	4008		8	856		2
8798		1	100		2	466		52 (+5)	835		4
8801		1	459		2	461		40 (+5)	836		4
8799		1	924		4	411		12 (+1)	830		2
8800		1	22		2	412		1	854		2
						410		1	858		1

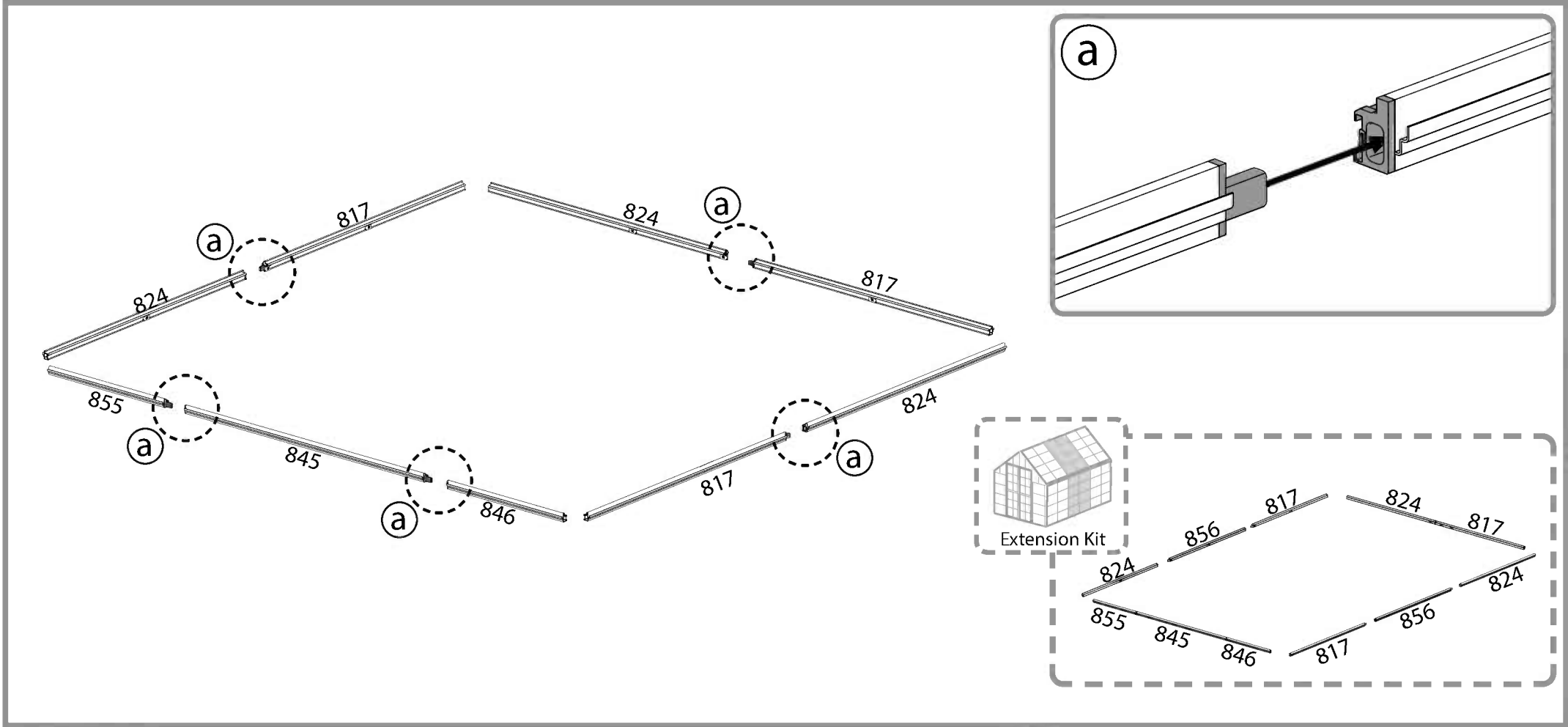
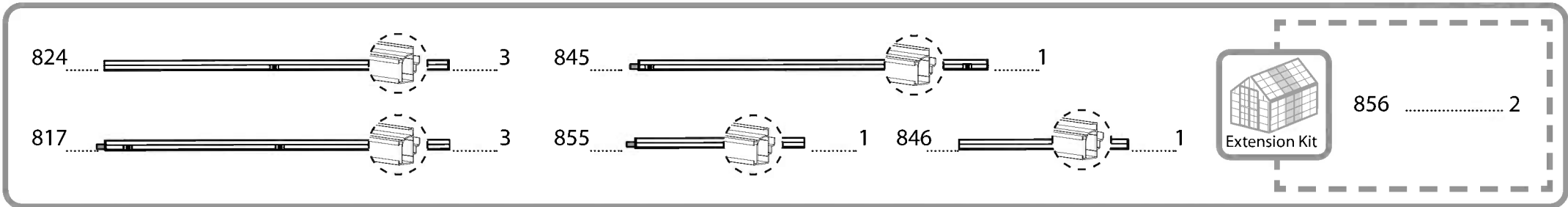
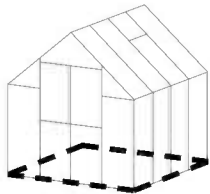
558		1	566		7
809		1			
8469		4	563		1
927		4	265		4
8550		4	8582		4
8583		2			

Mounting window

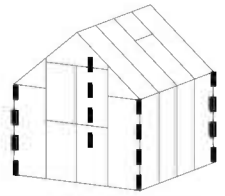




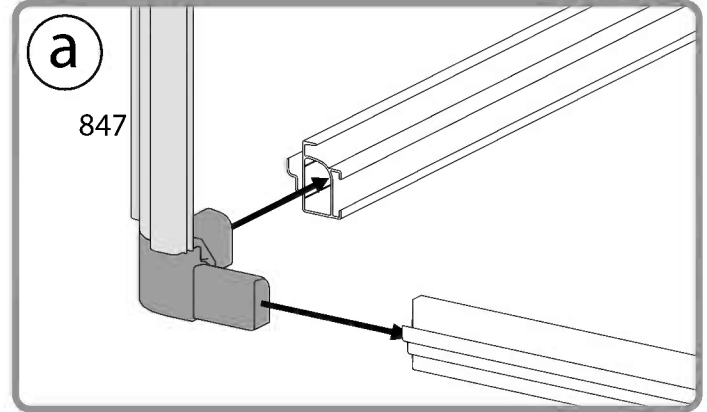
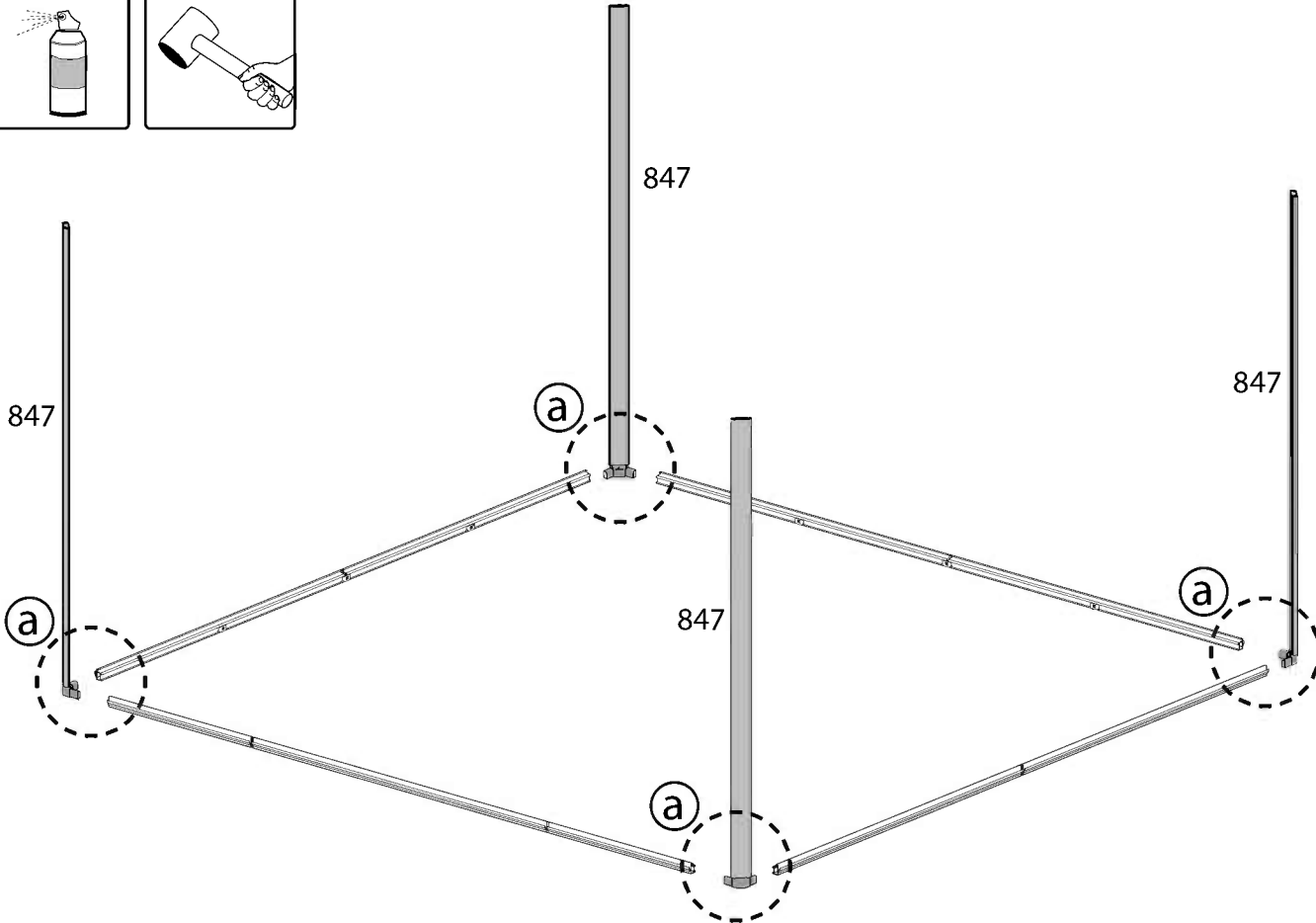
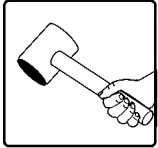
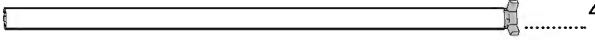
1



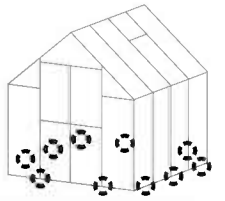
2



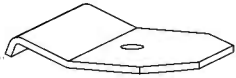
847 4



3

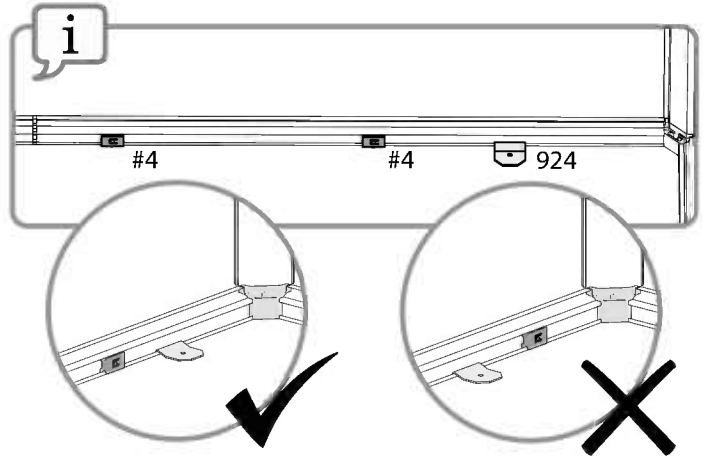
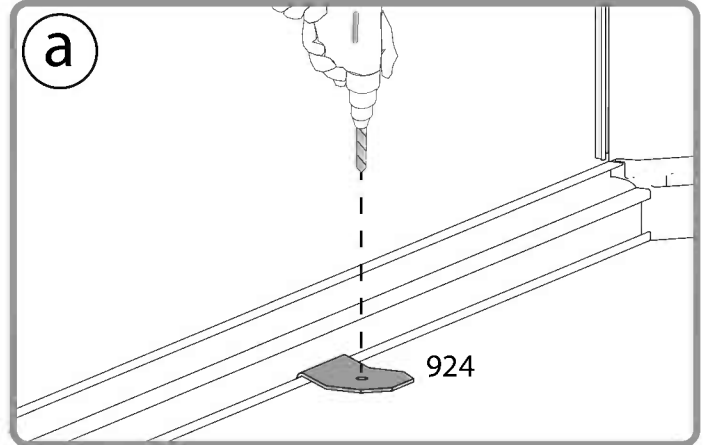
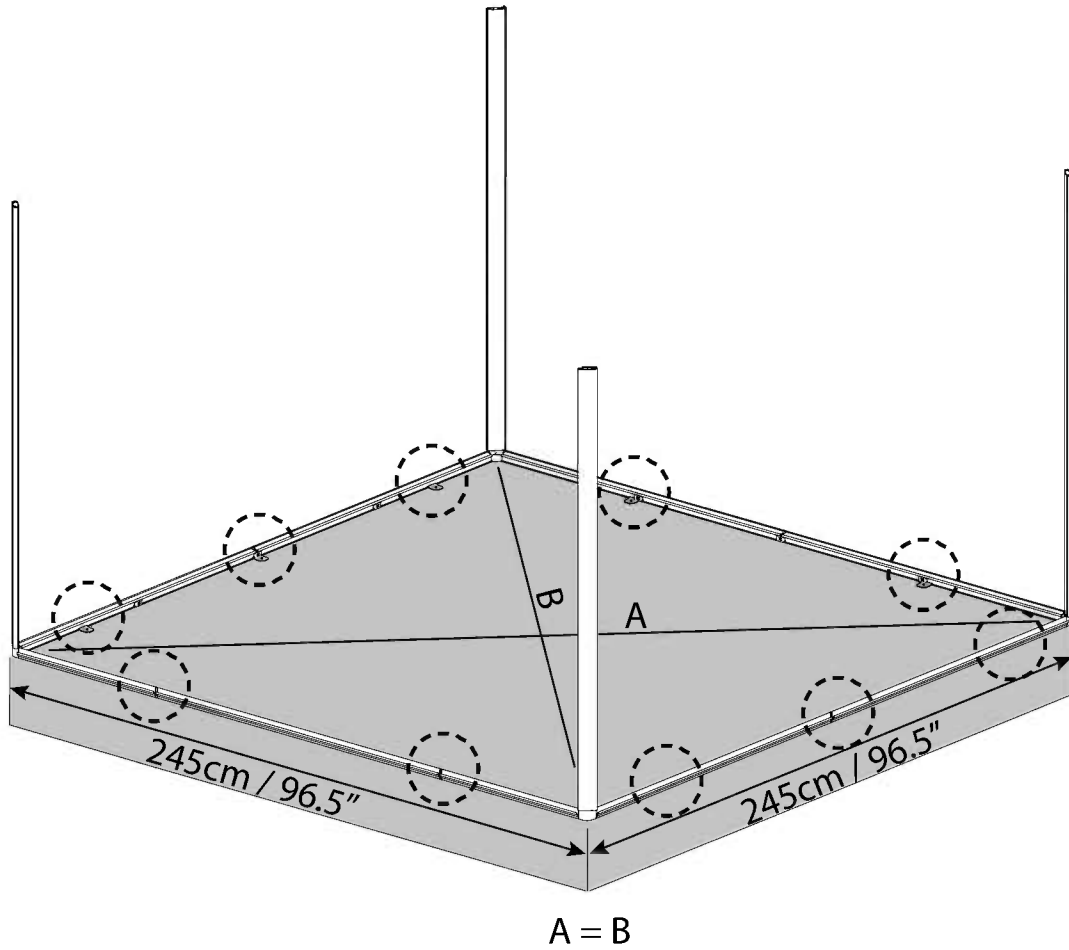


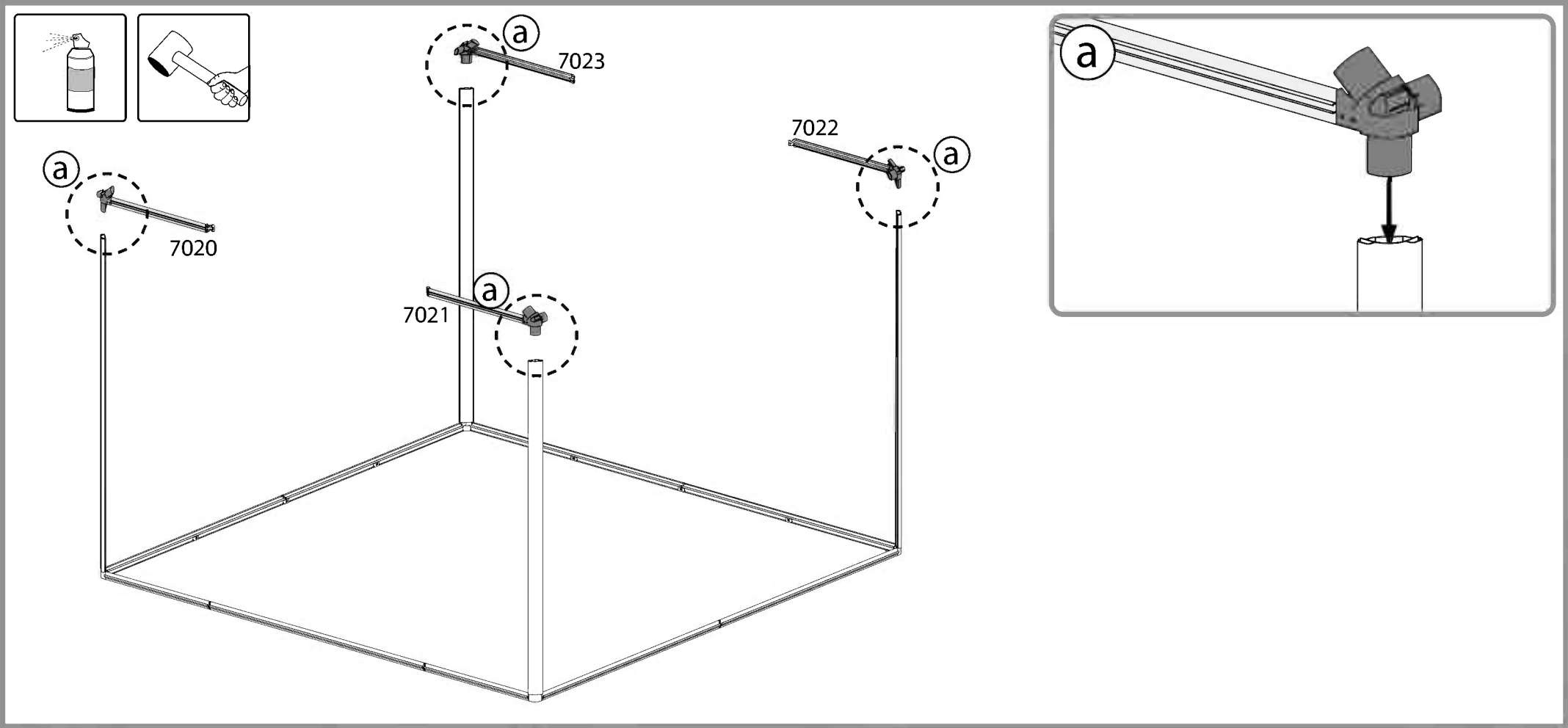
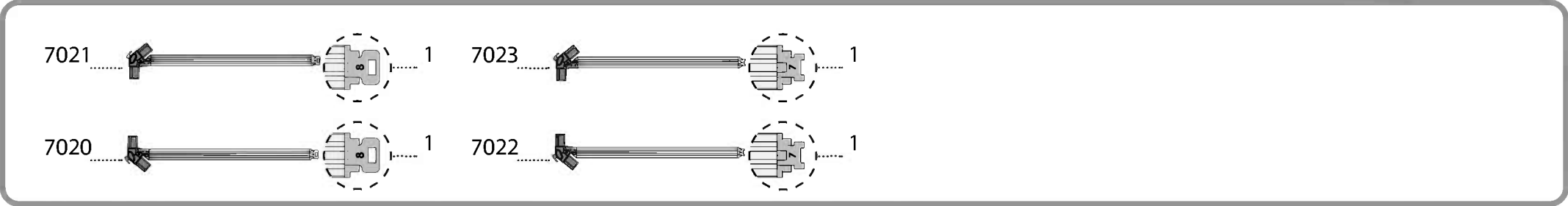
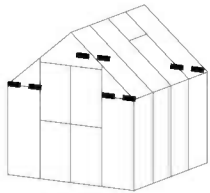
92410



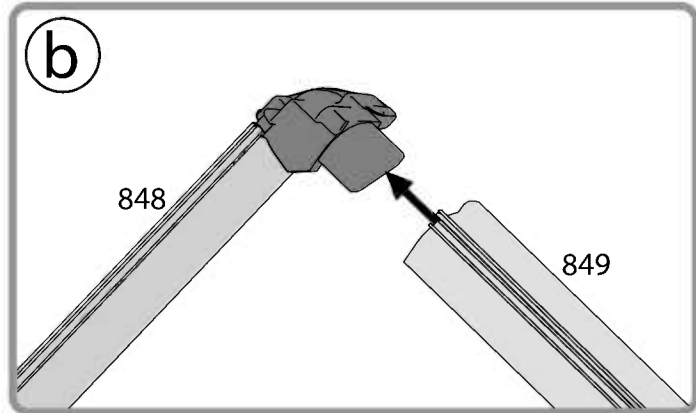
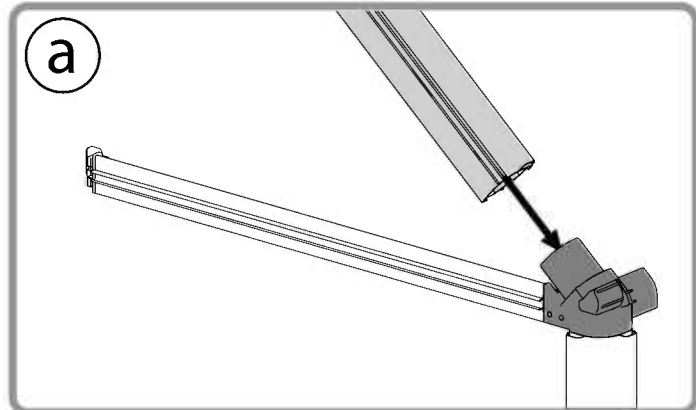
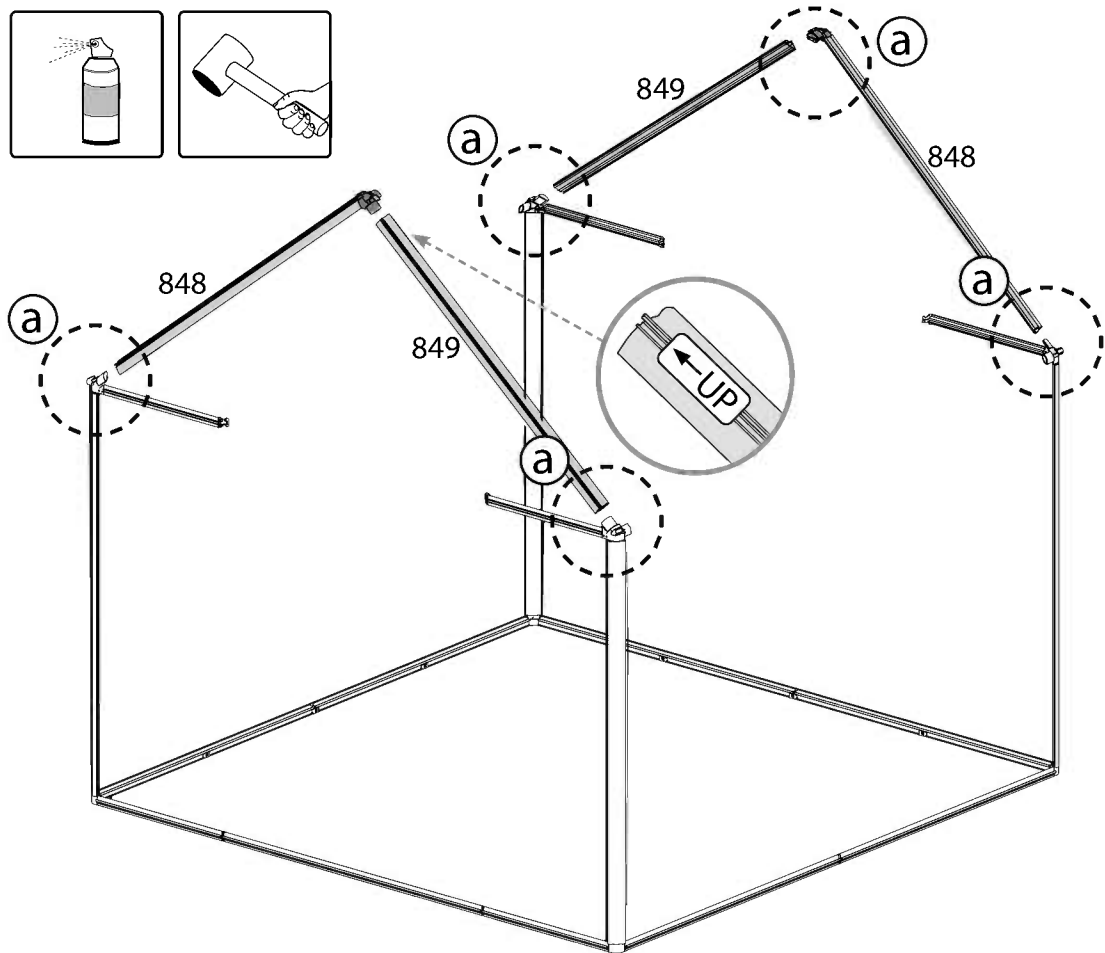
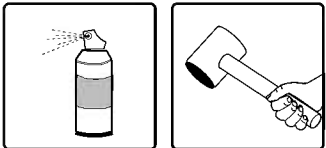
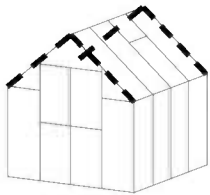
Extension Kit

924 4

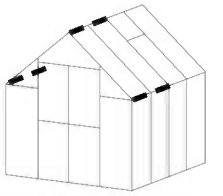




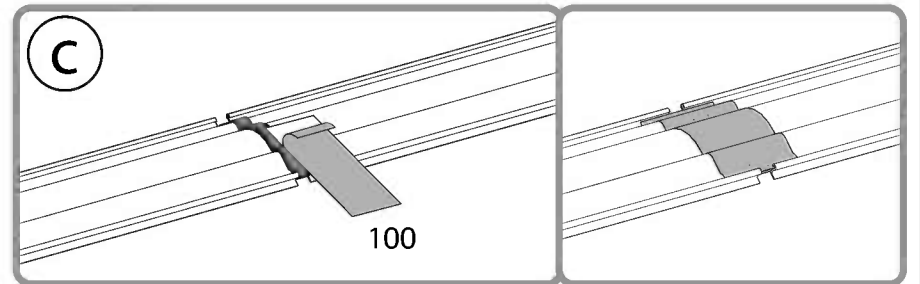
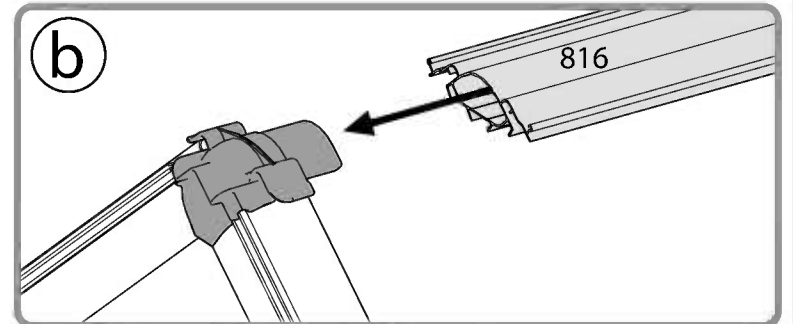
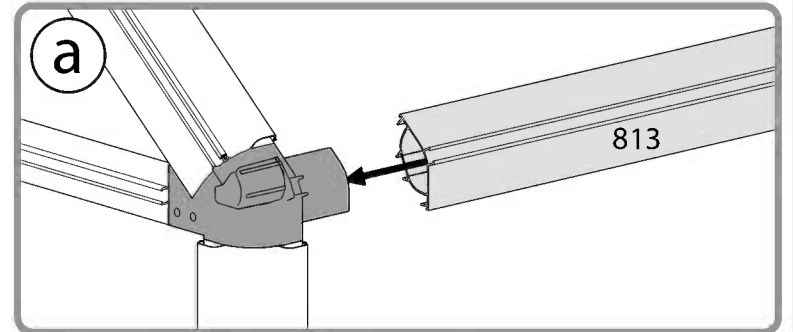
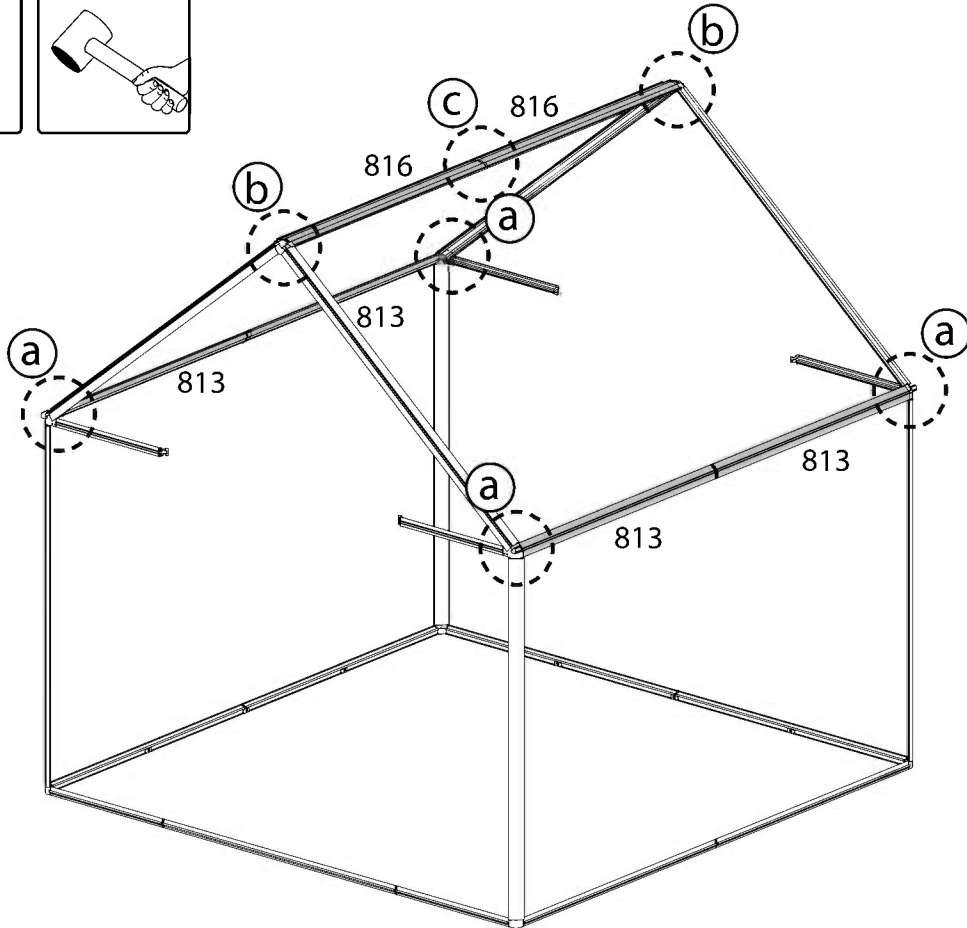
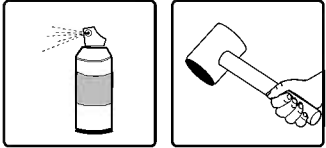
5



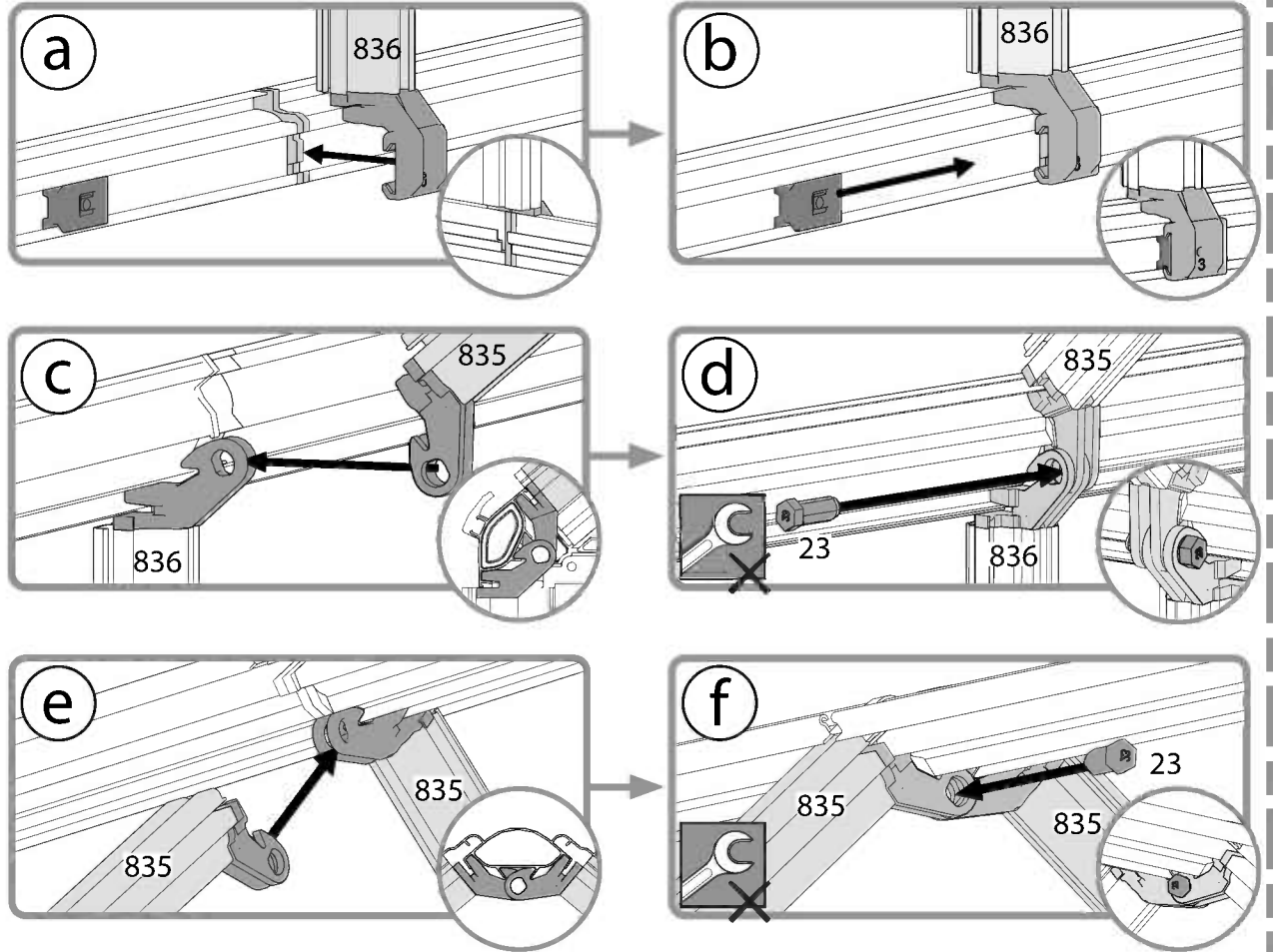
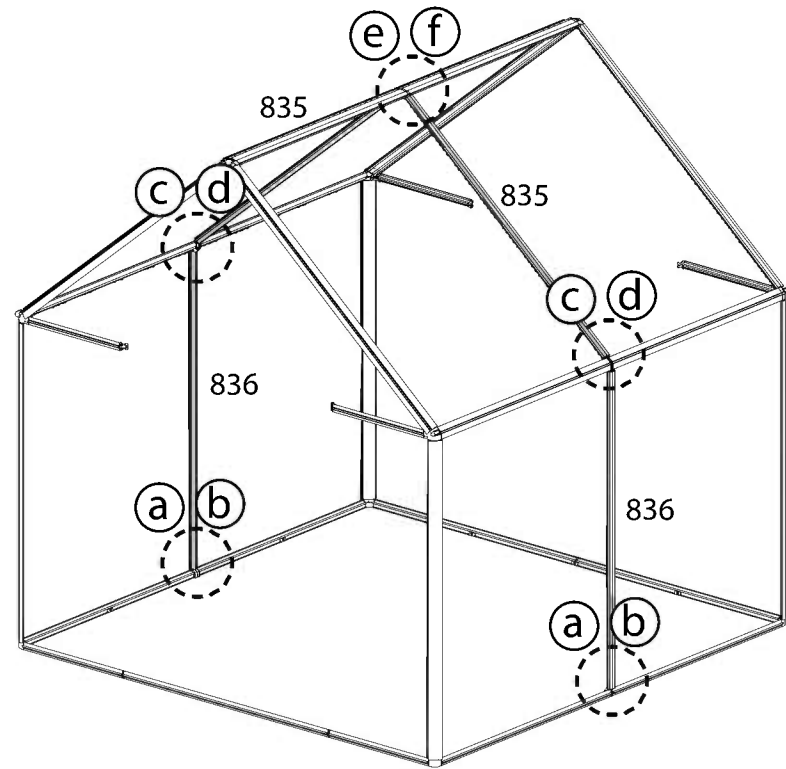
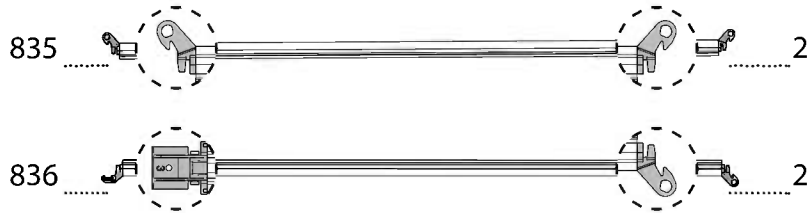
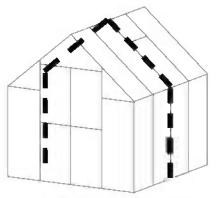
6 *i*



813 4 816 2 100 1



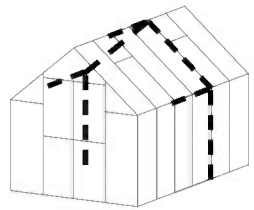
7 Only For Base Kit 8X8



8



Only For Extension Kit



854 2

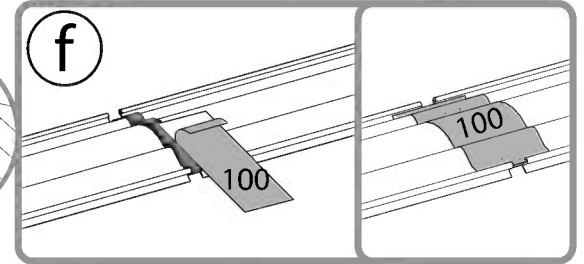
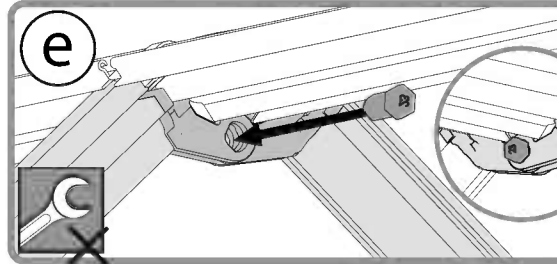
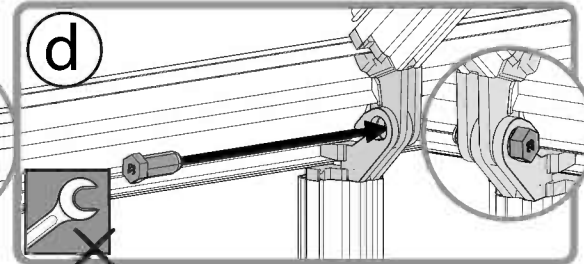
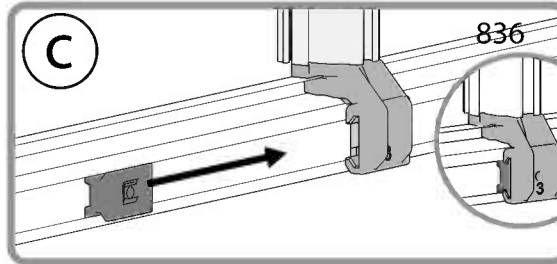
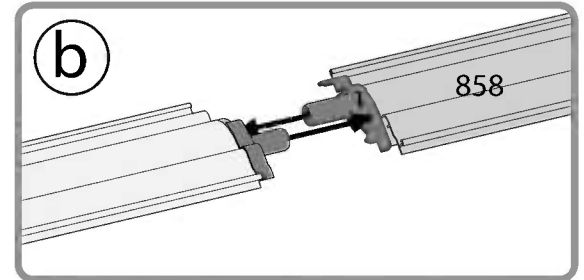
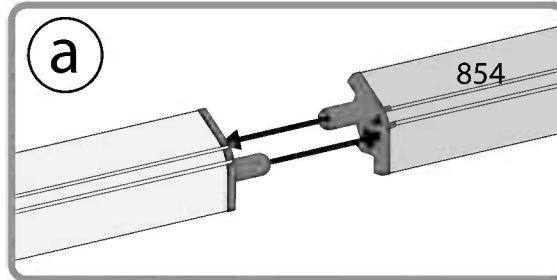
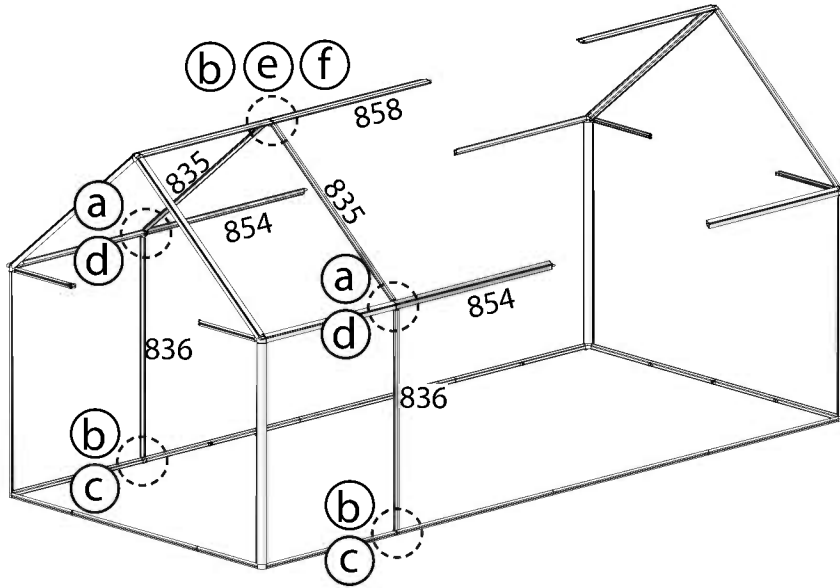
835 2

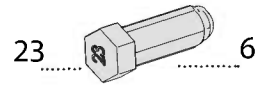
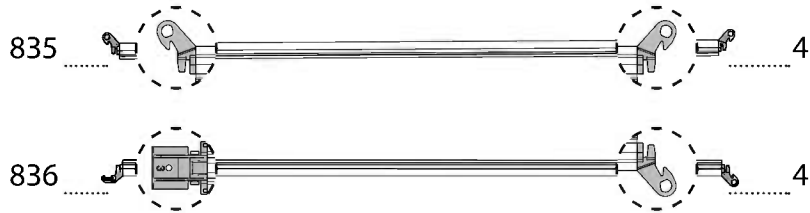
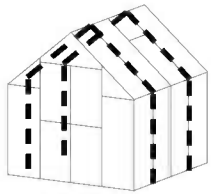
23 3

858 1

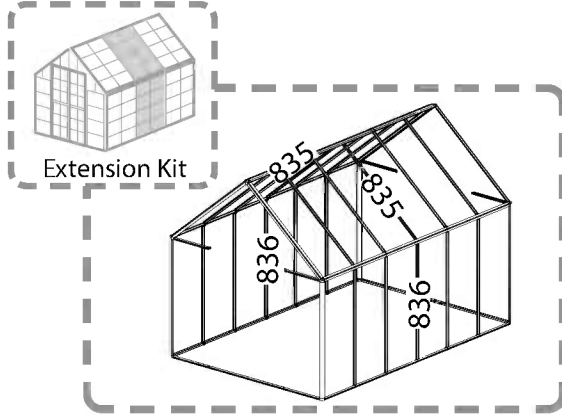
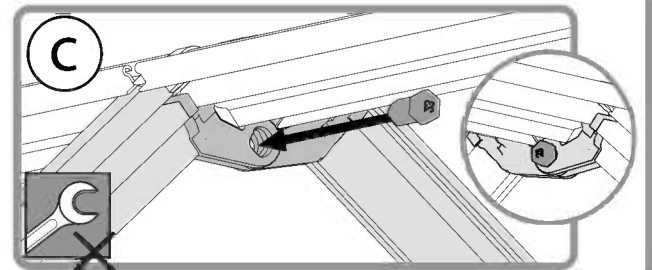
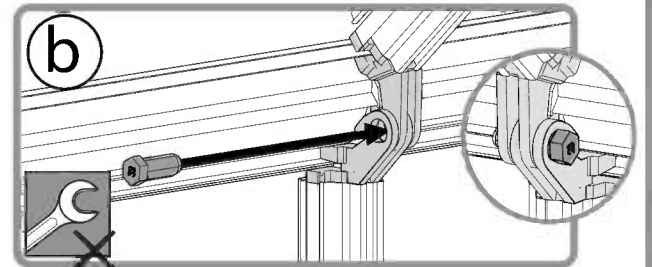
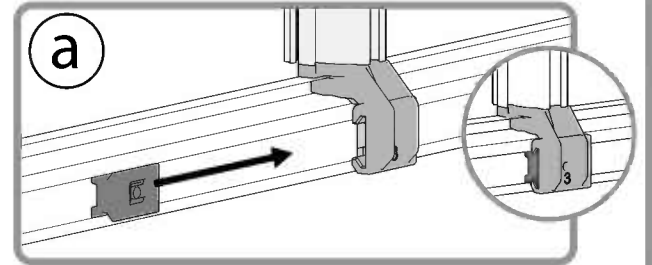
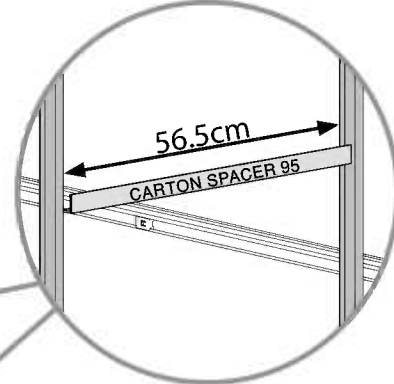
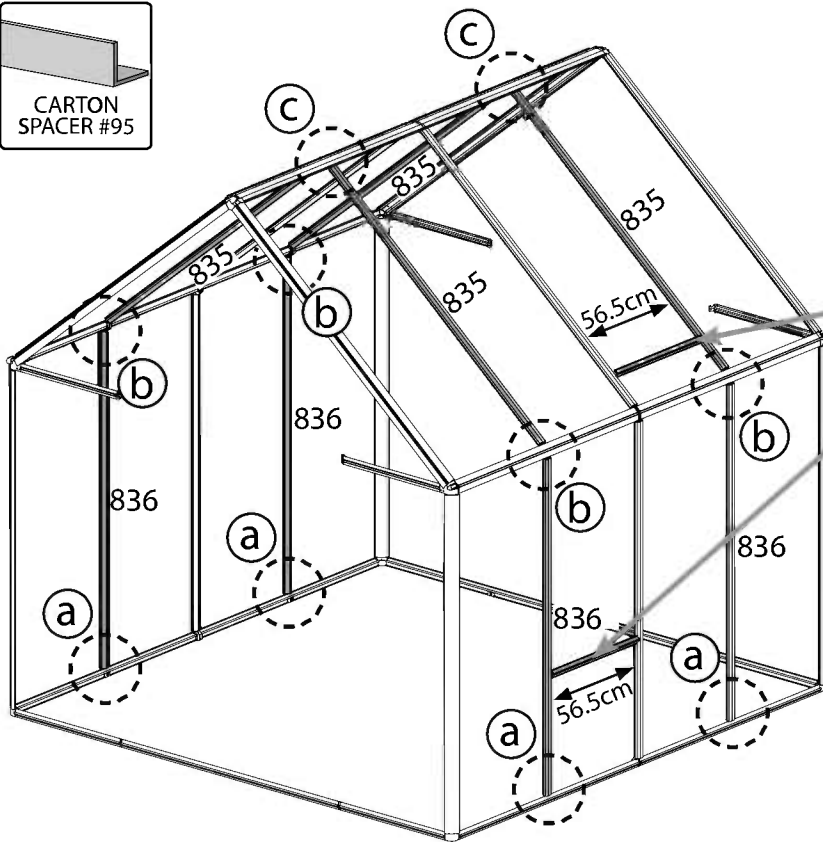
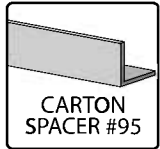
836 2

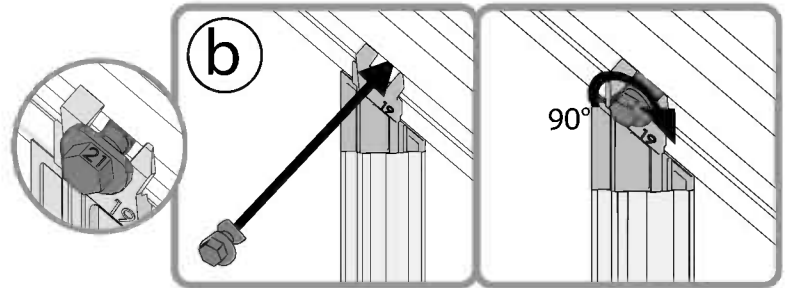
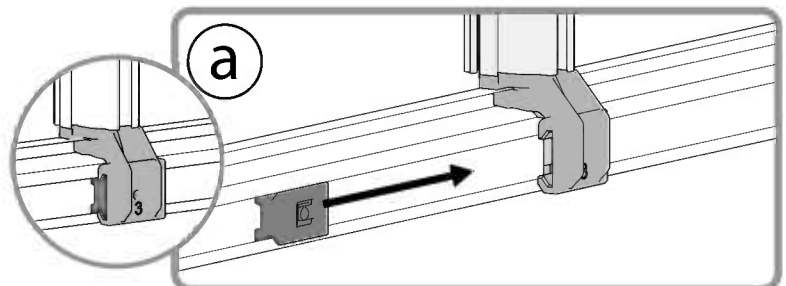
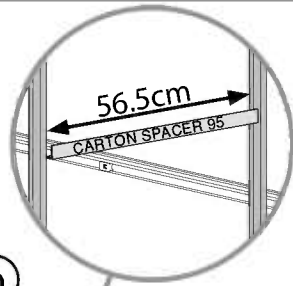
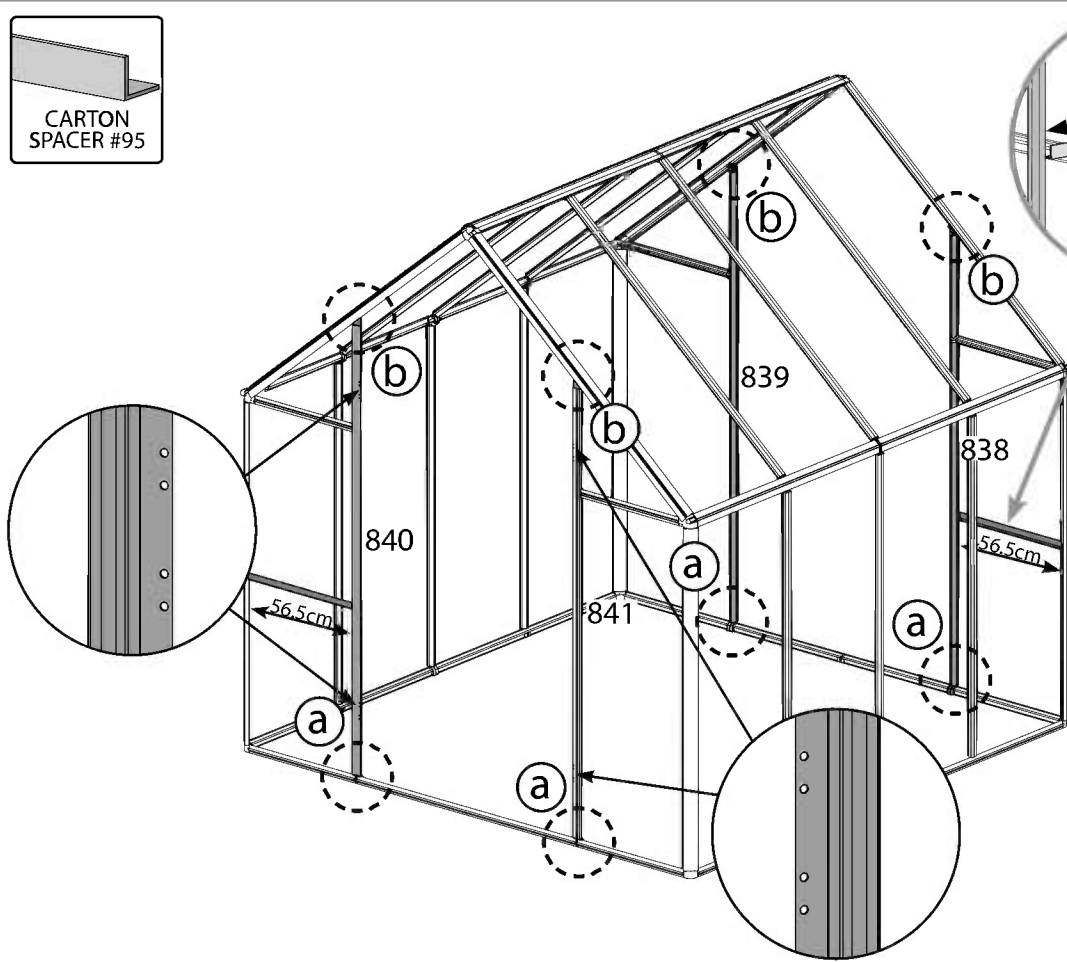
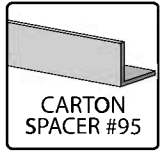
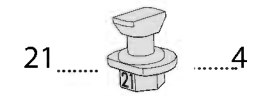
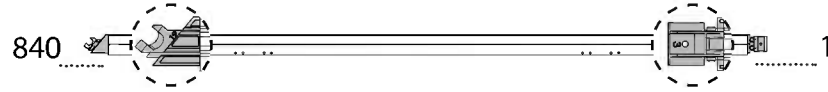
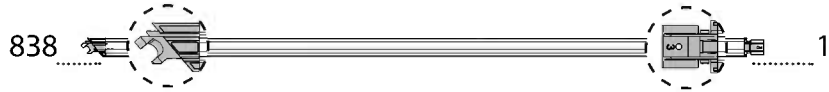
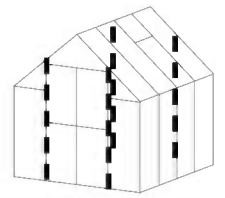
100 1

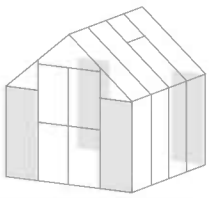




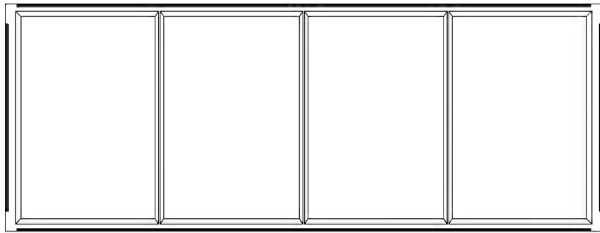
 Extension Kit	836 2
	835 2
	23 3



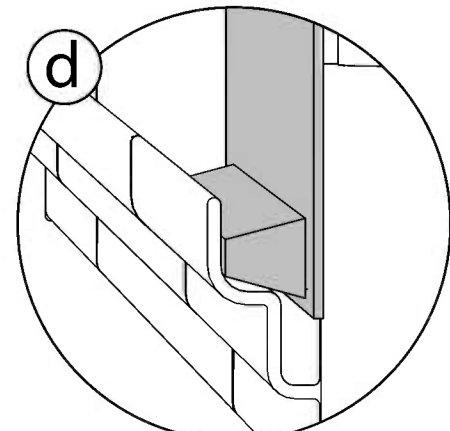
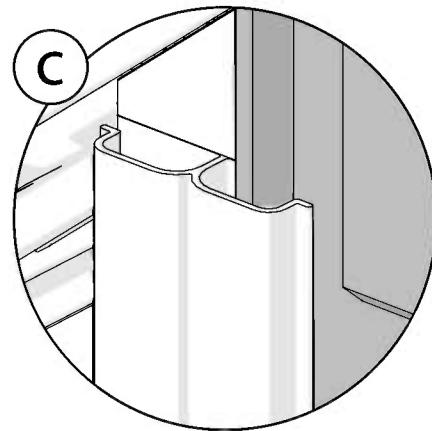
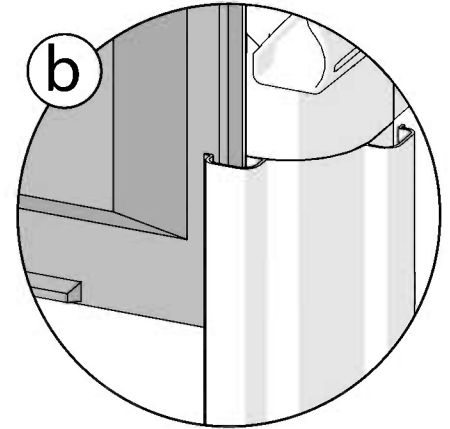
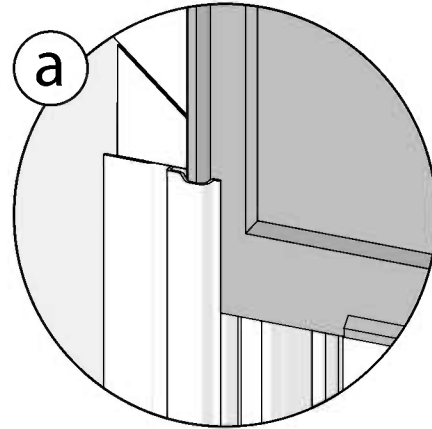
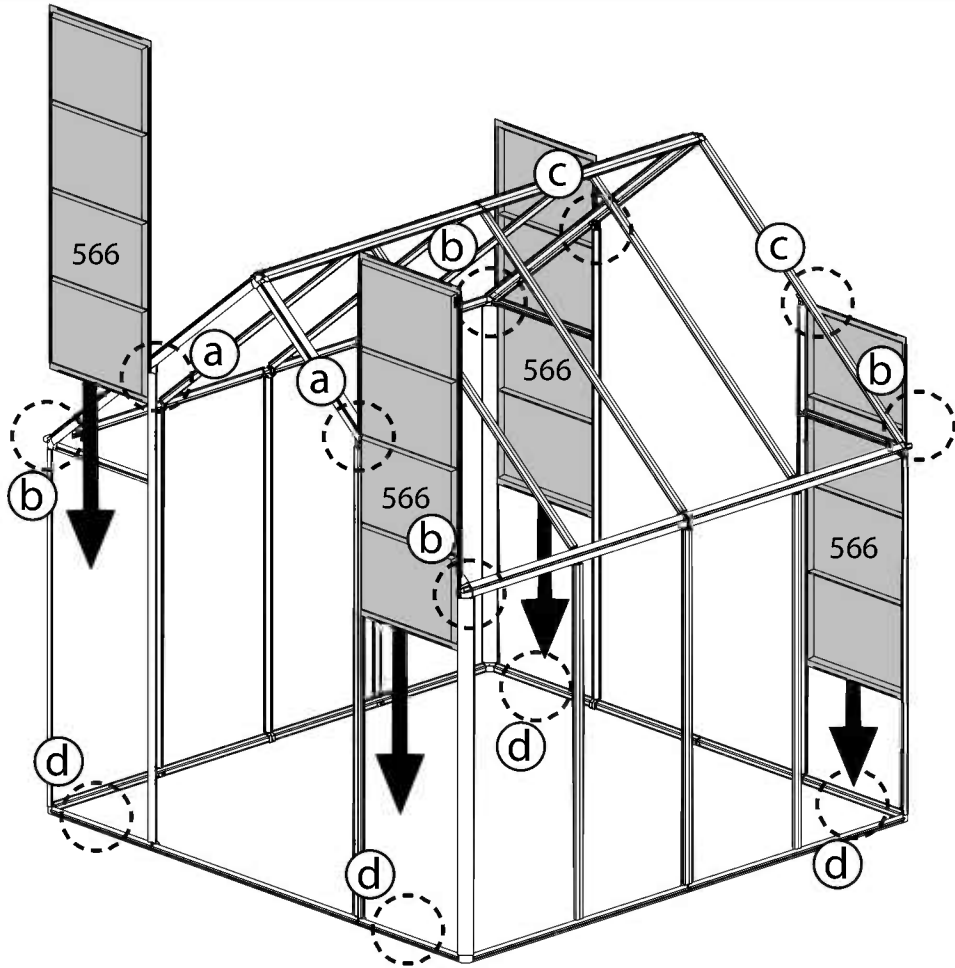


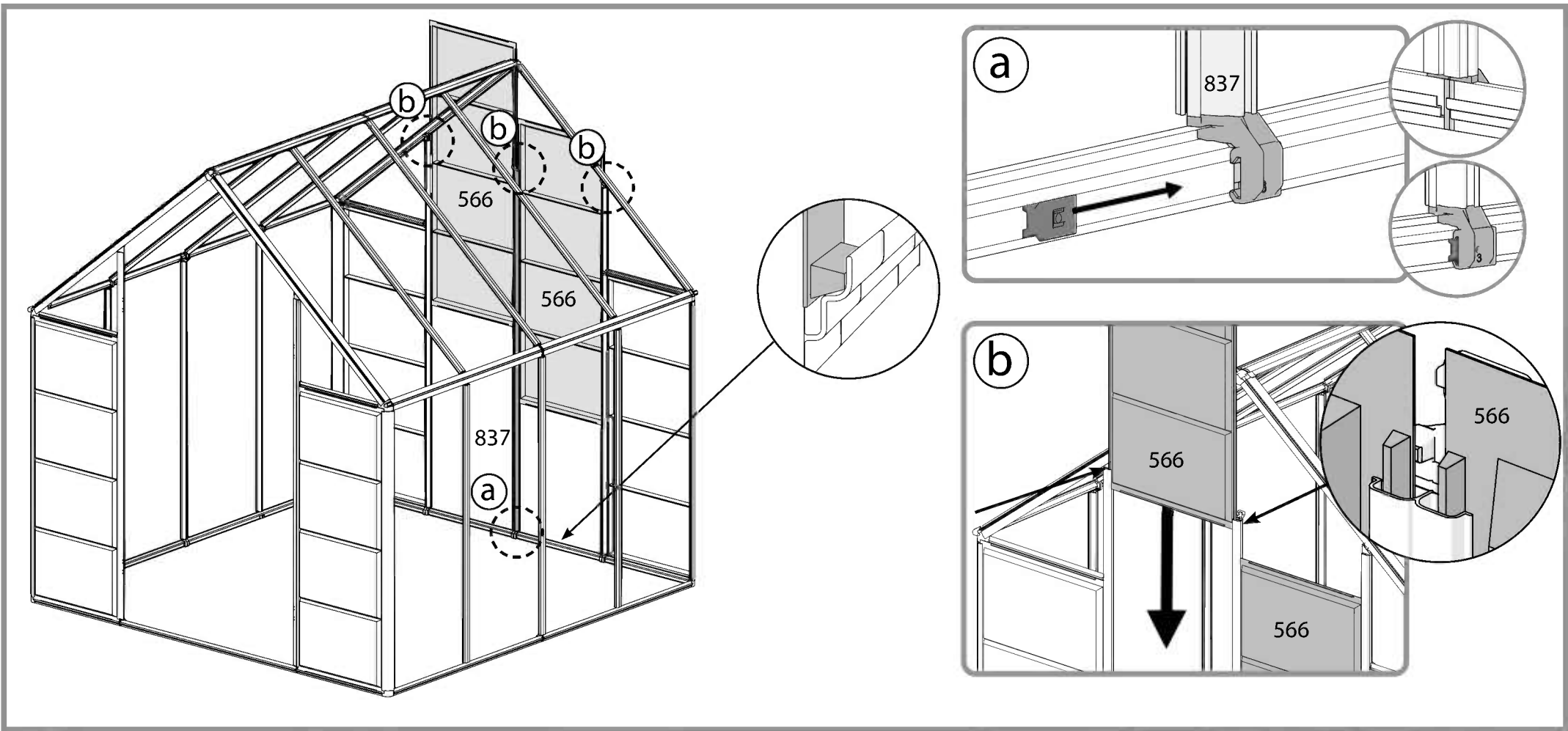
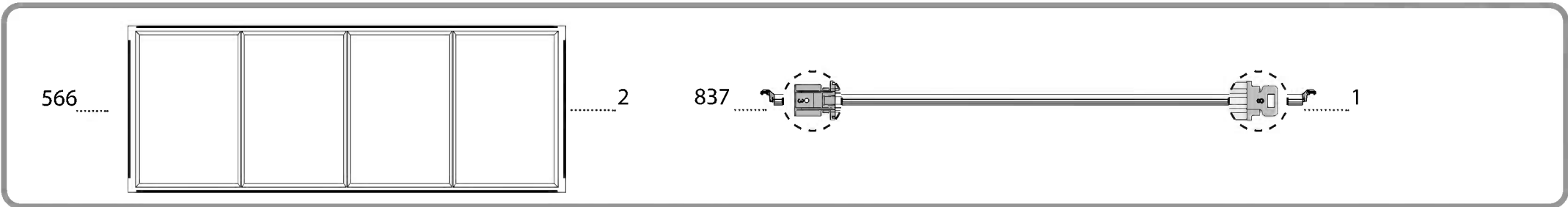
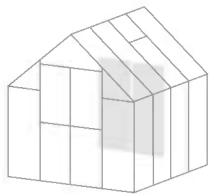


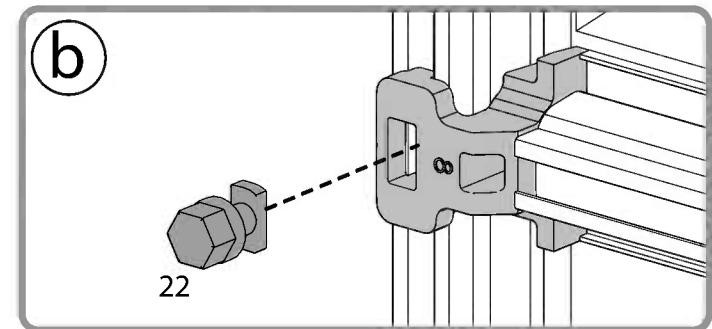
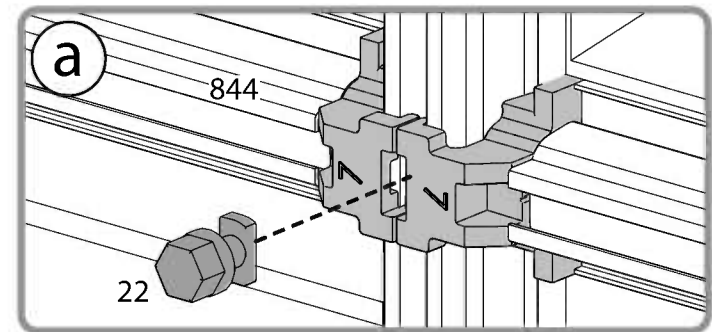
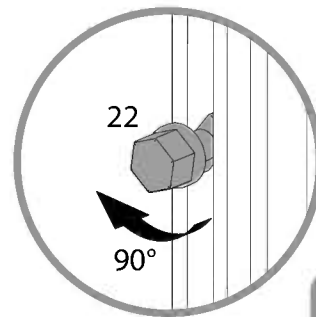
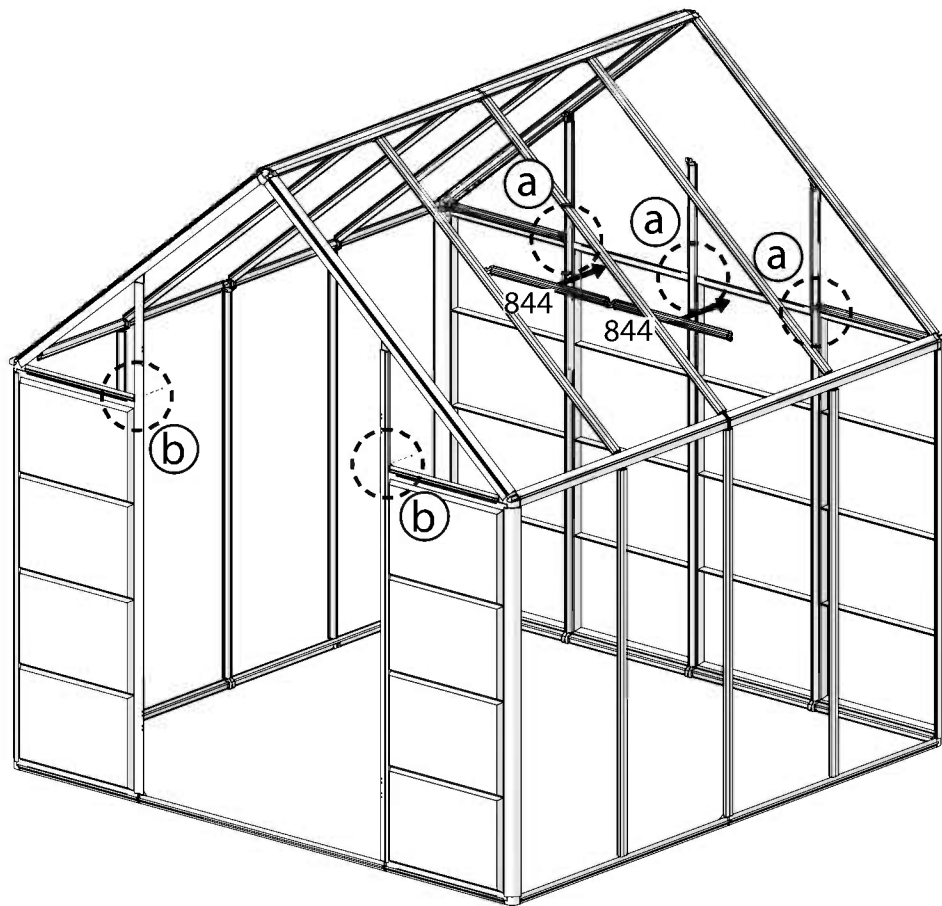
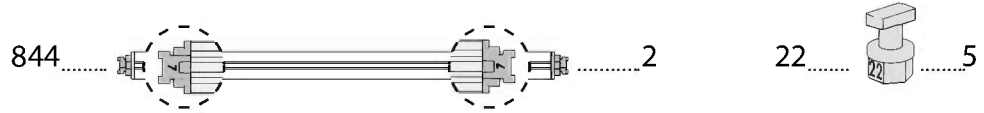
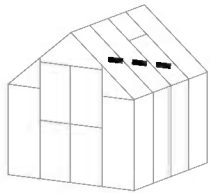
566.....

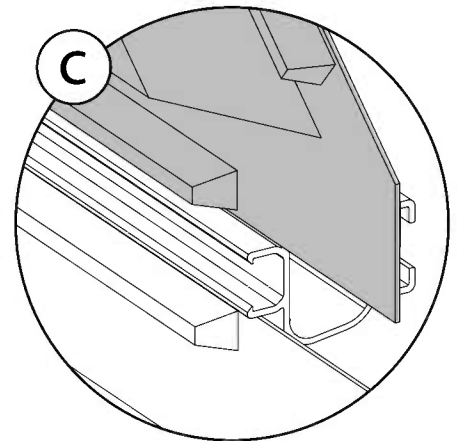
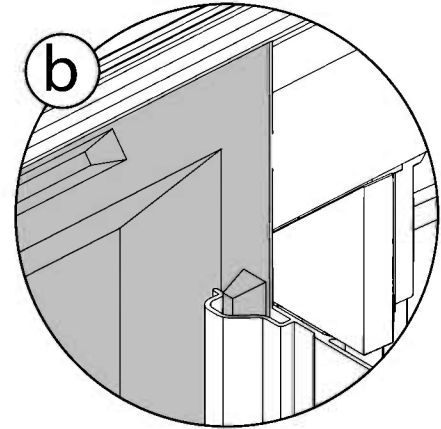
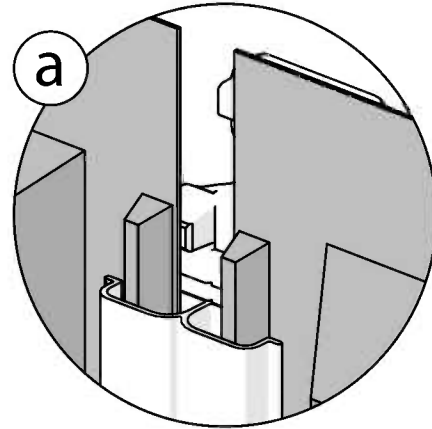
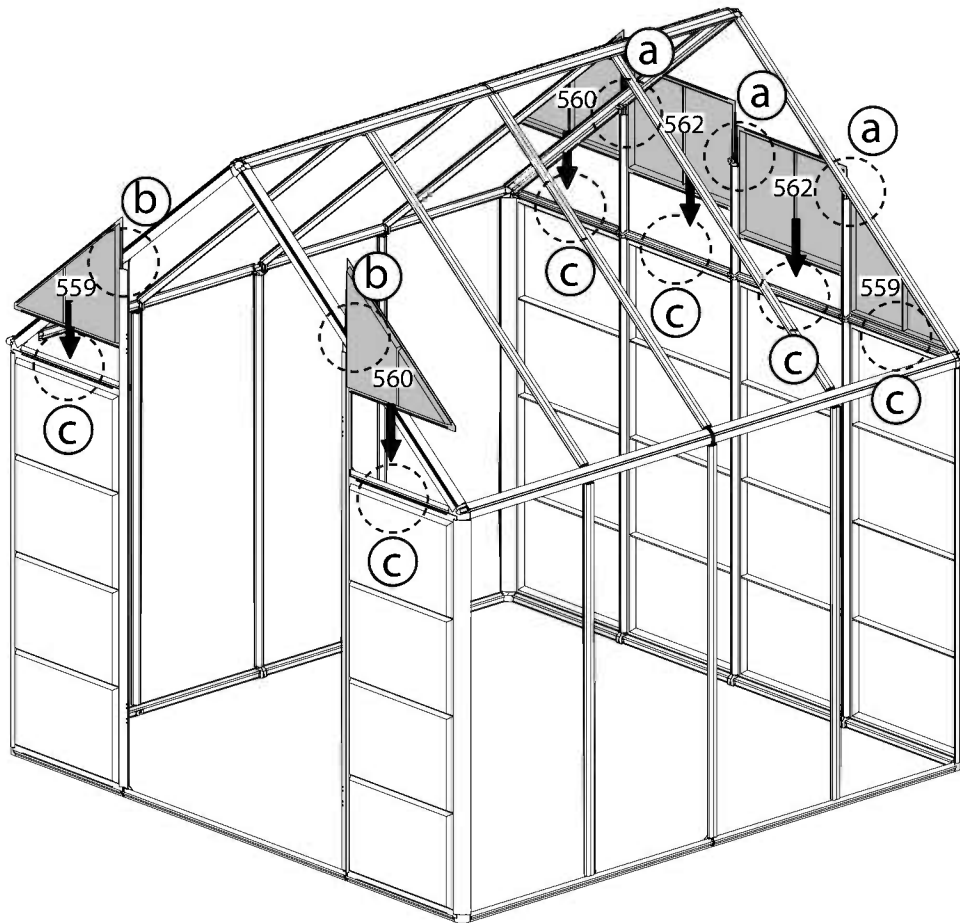
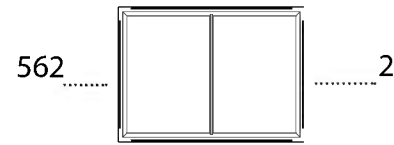
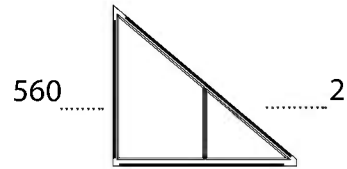
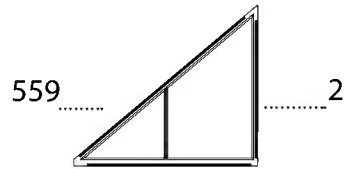
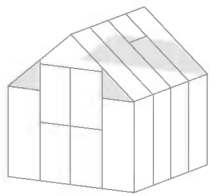


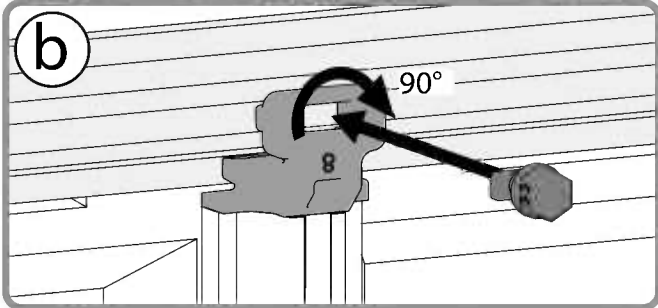
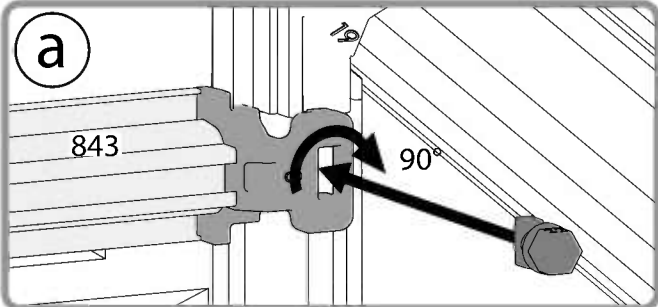
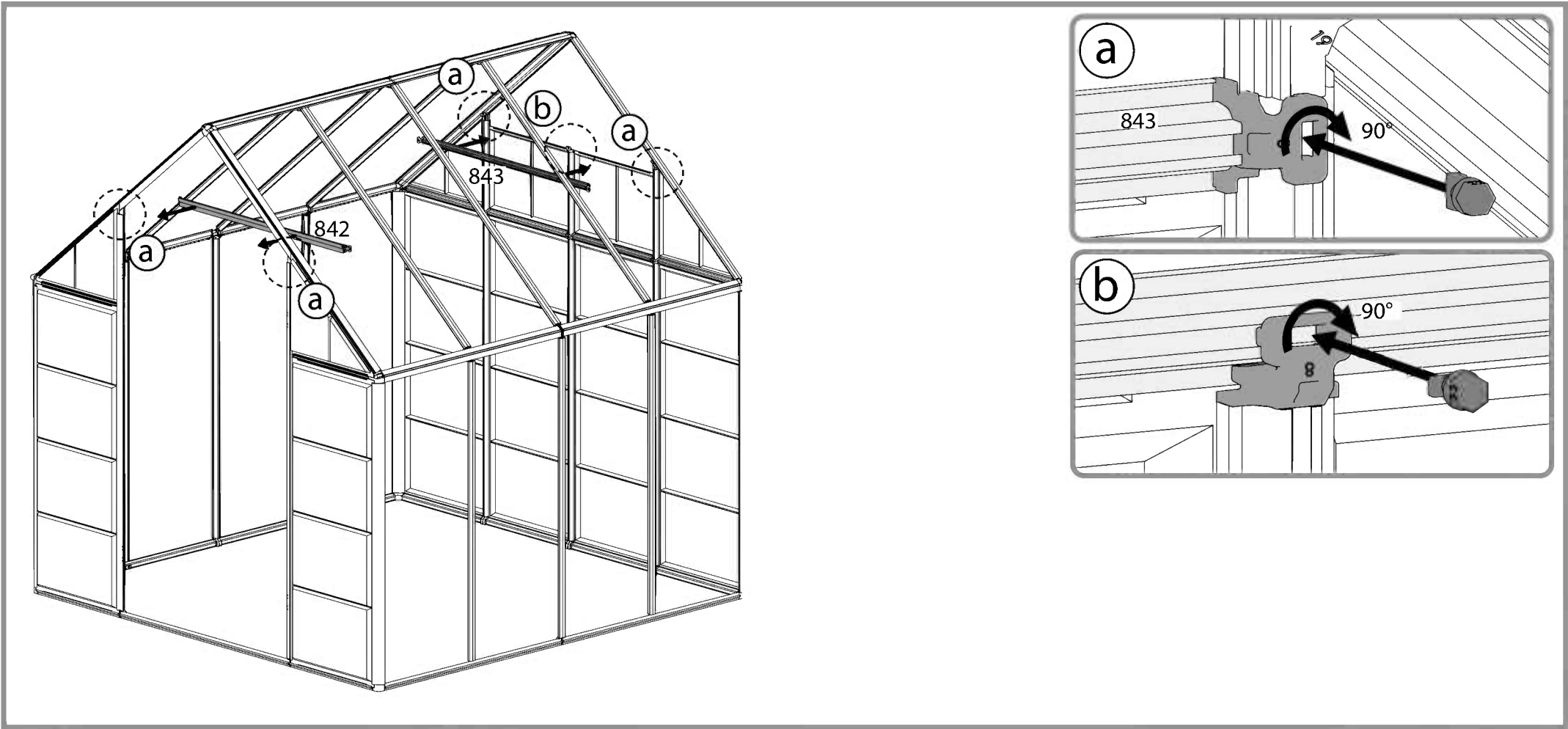
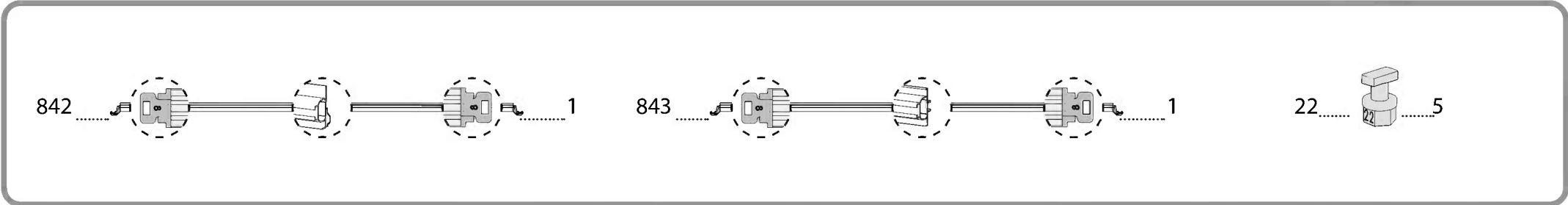
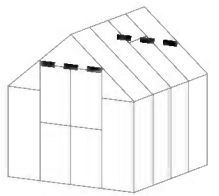
4

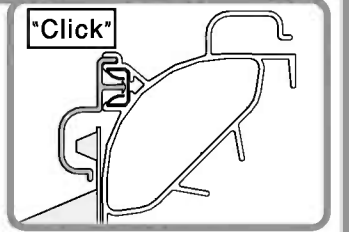
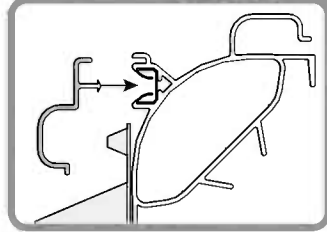
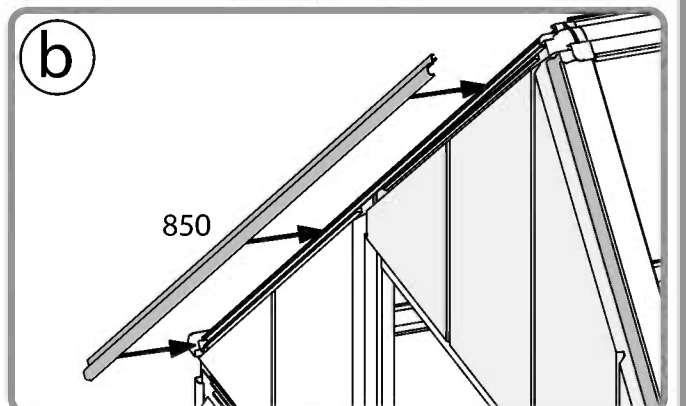
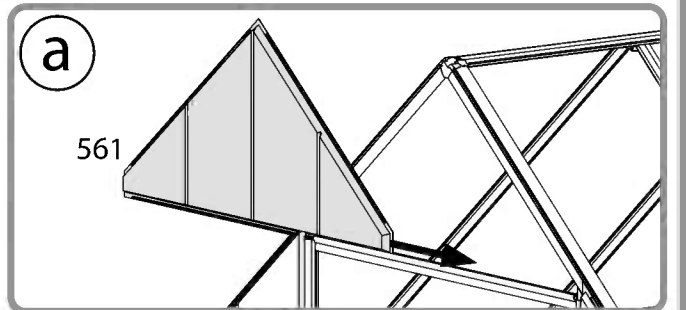
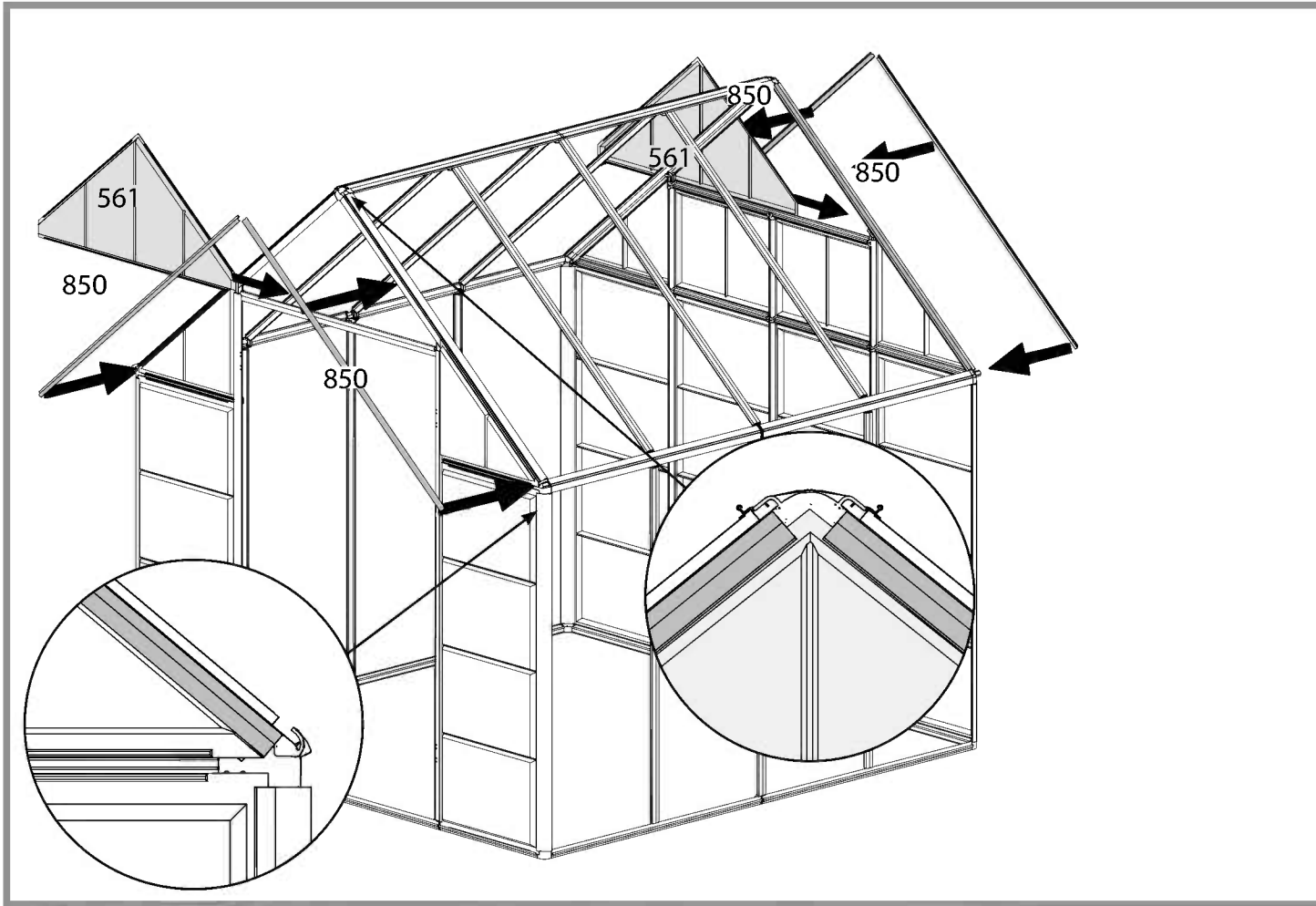
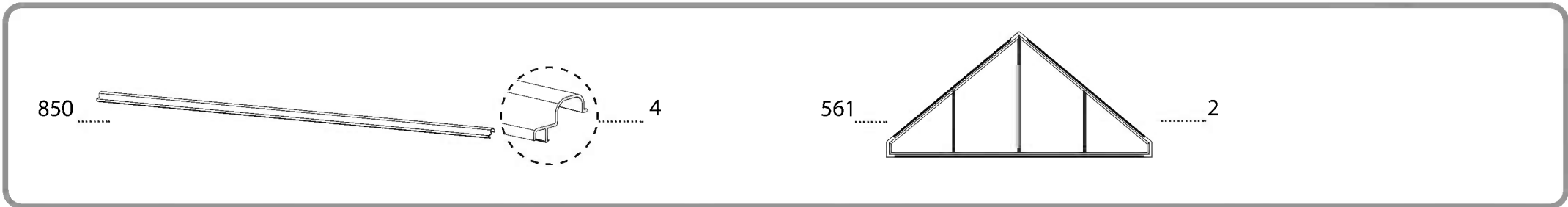
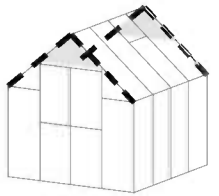


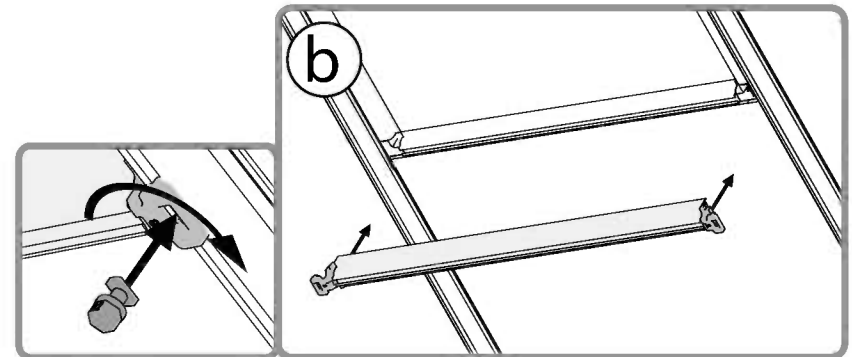
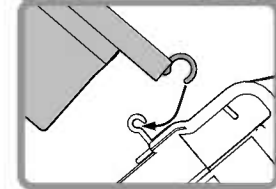
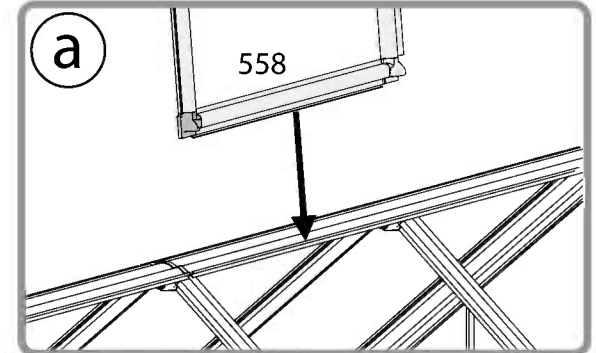
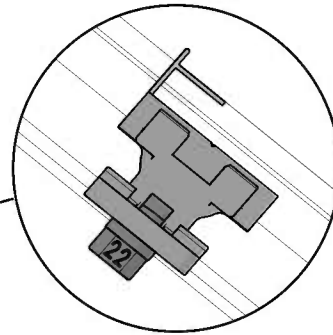
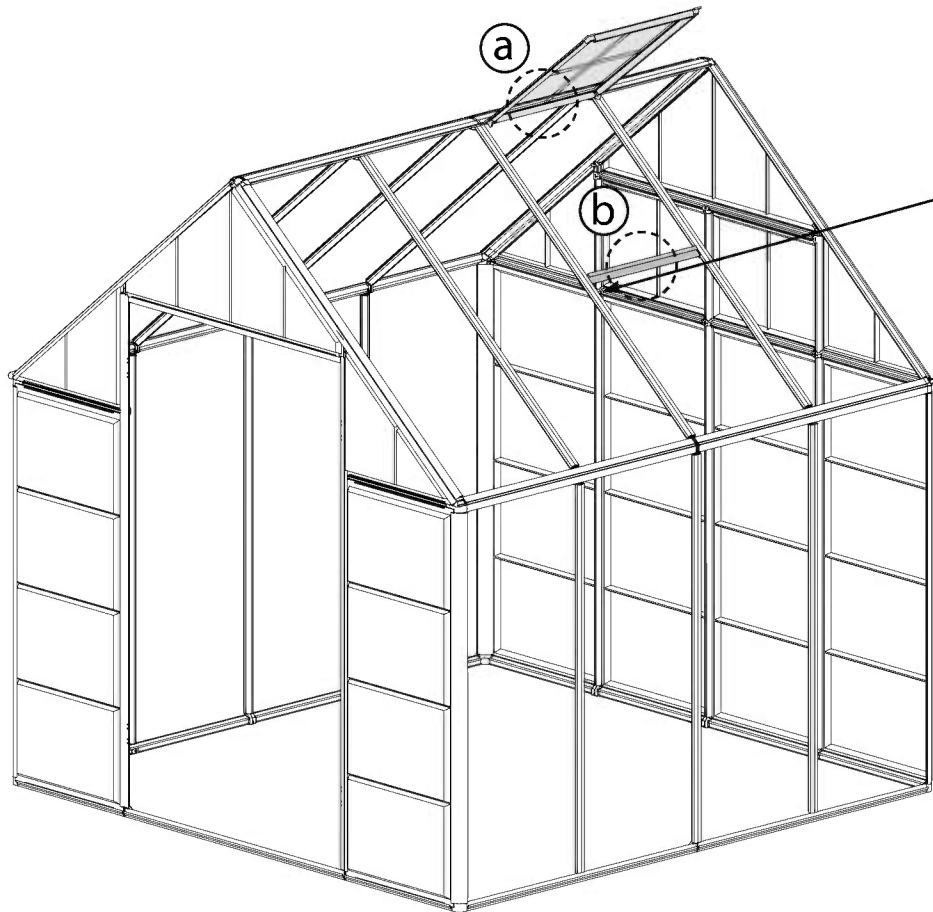
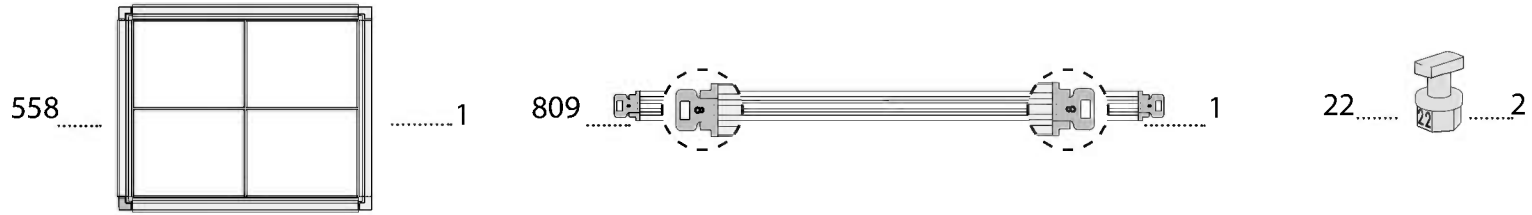
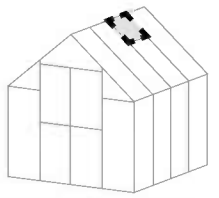


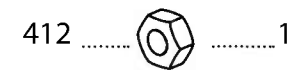
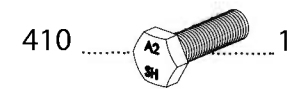
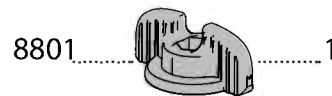
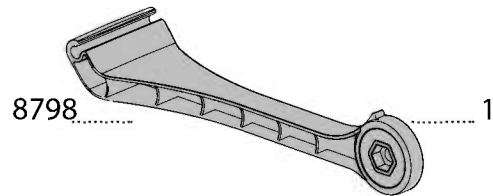
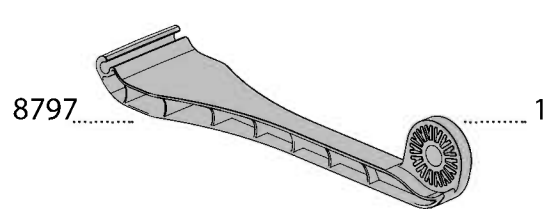
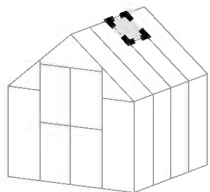




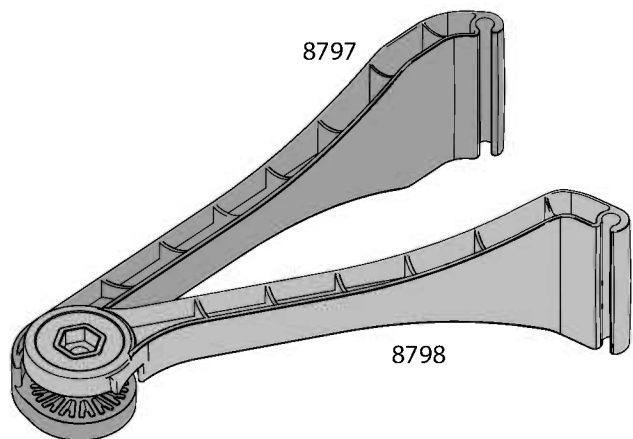




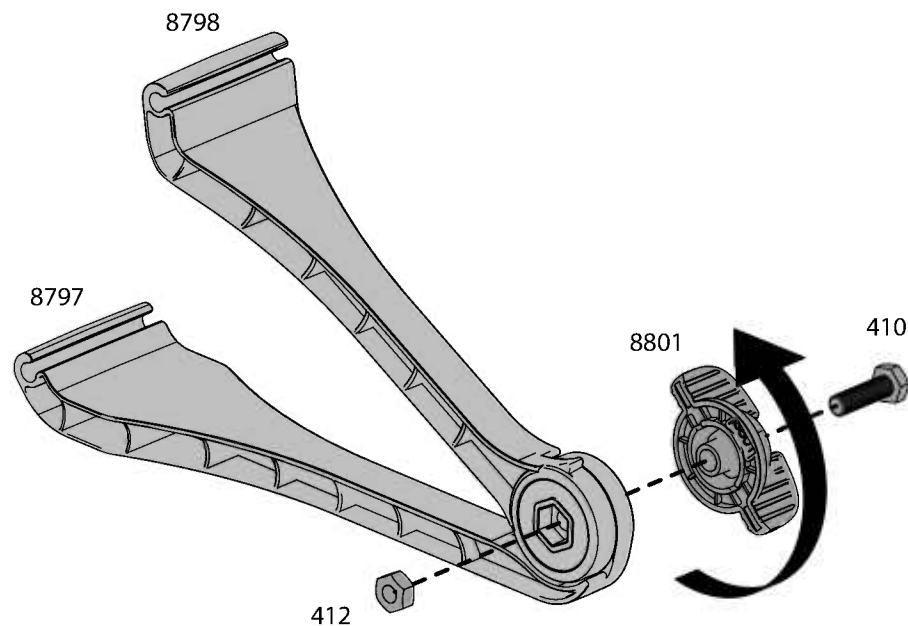


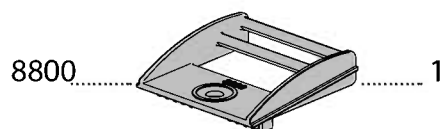
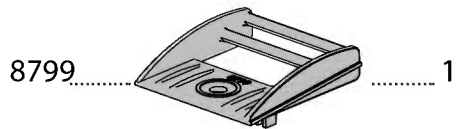
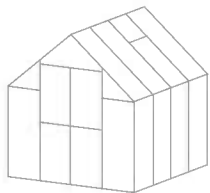


a

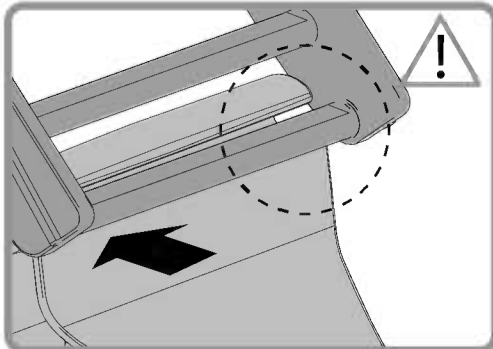
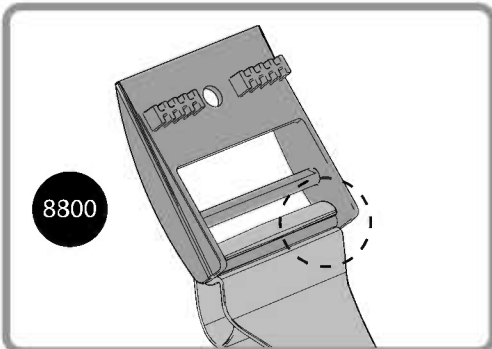
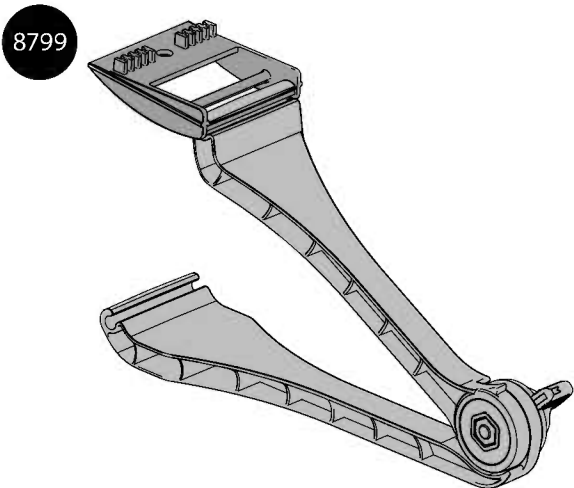


b

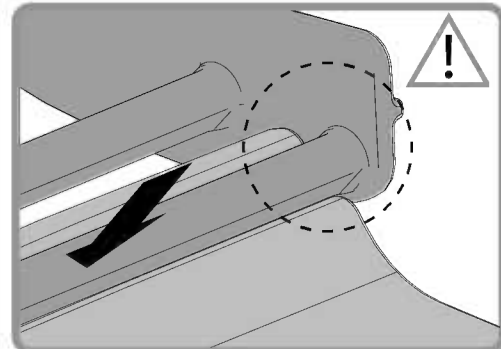
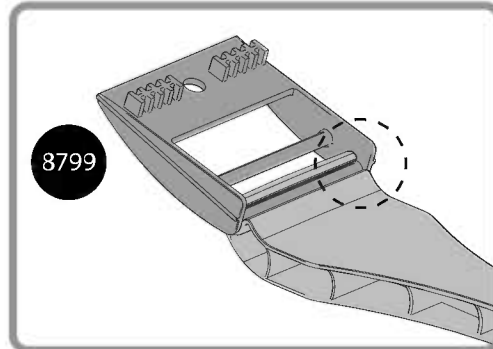
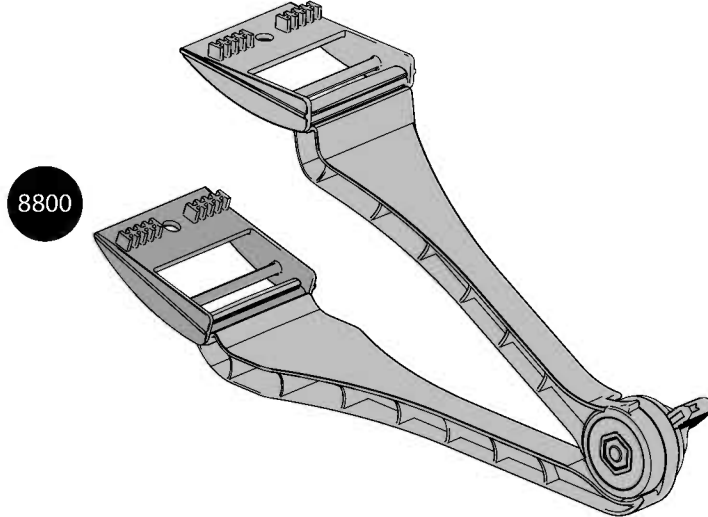


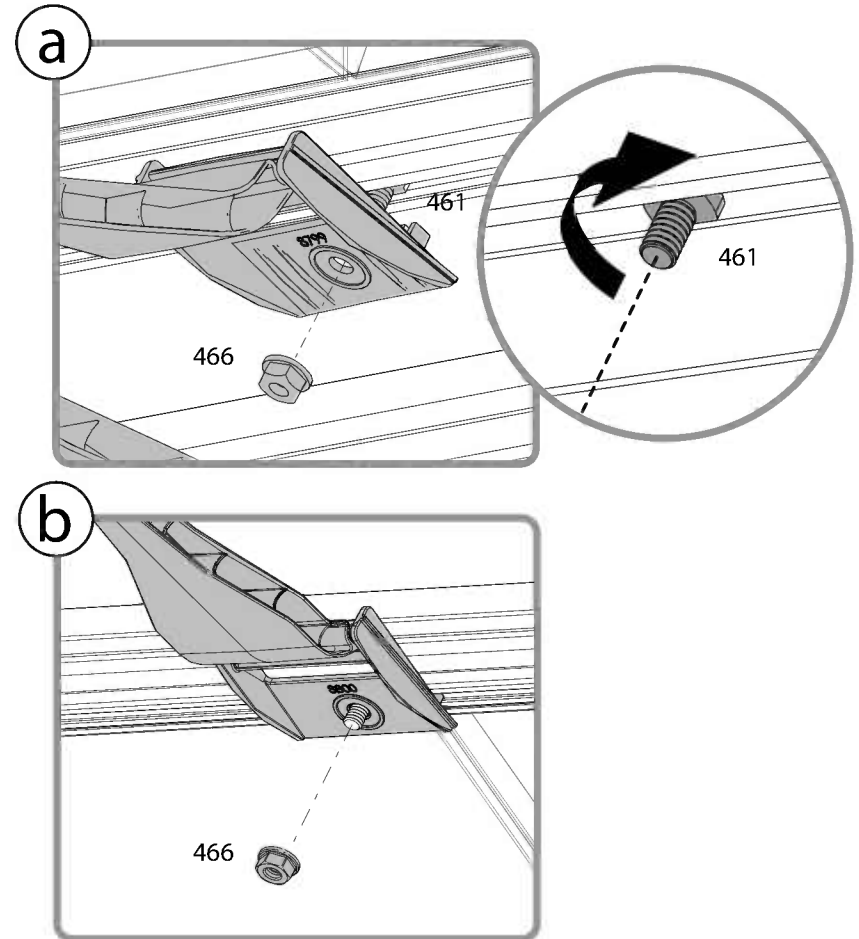
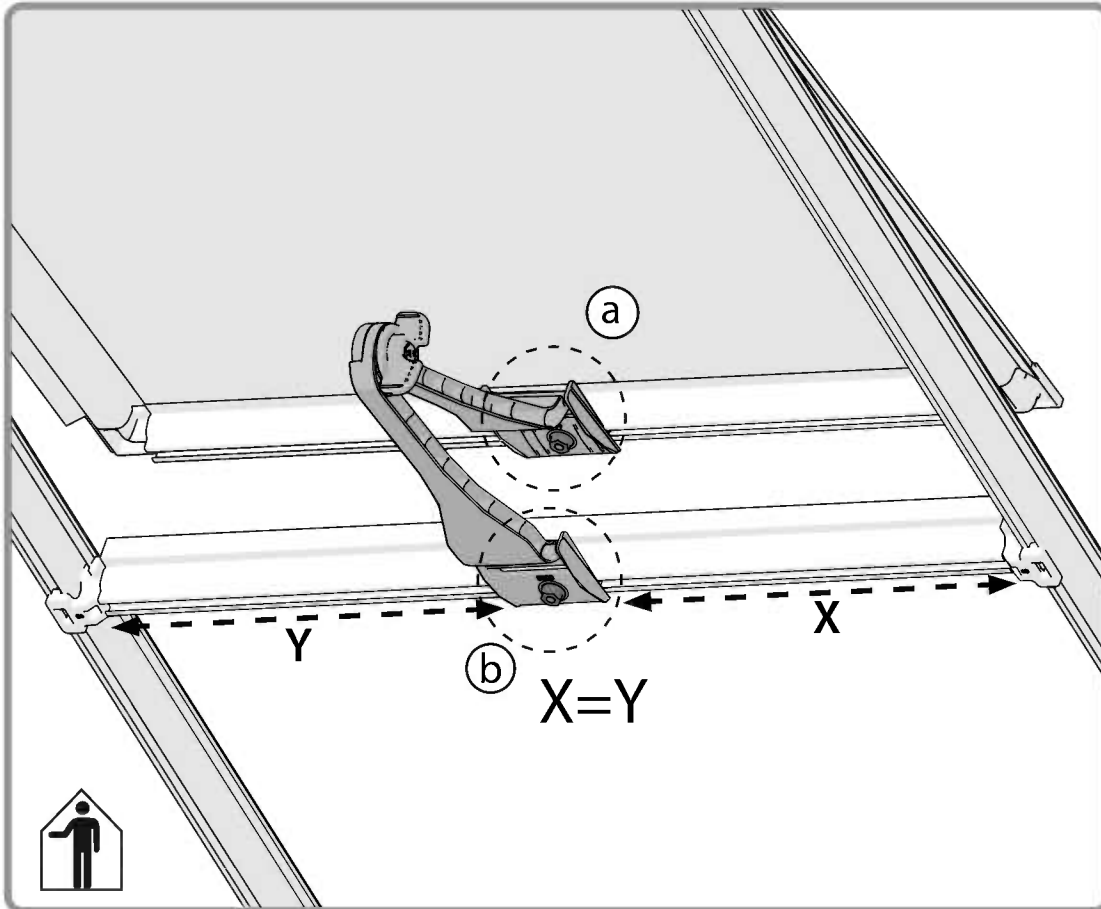
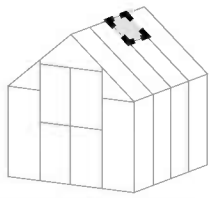


a

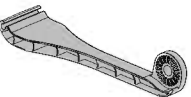
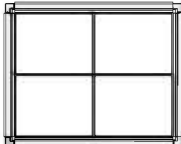
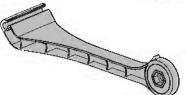




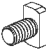






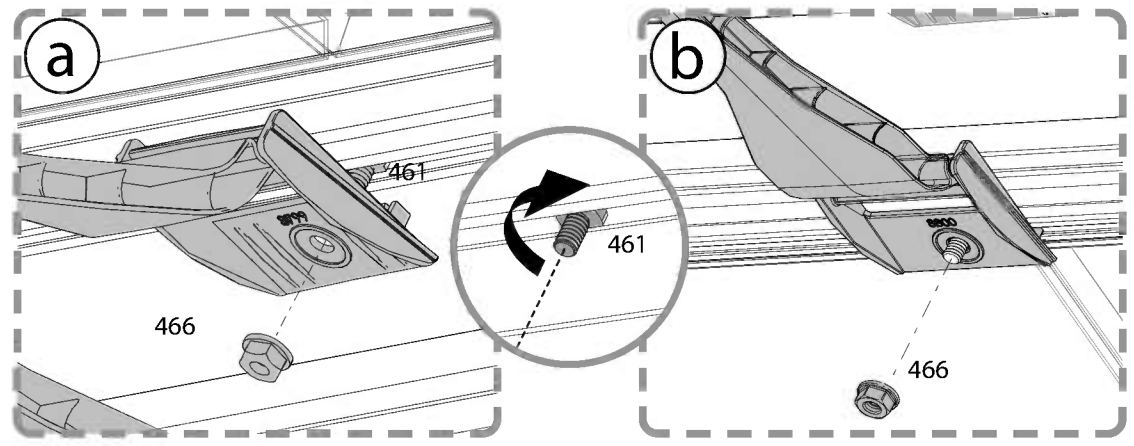
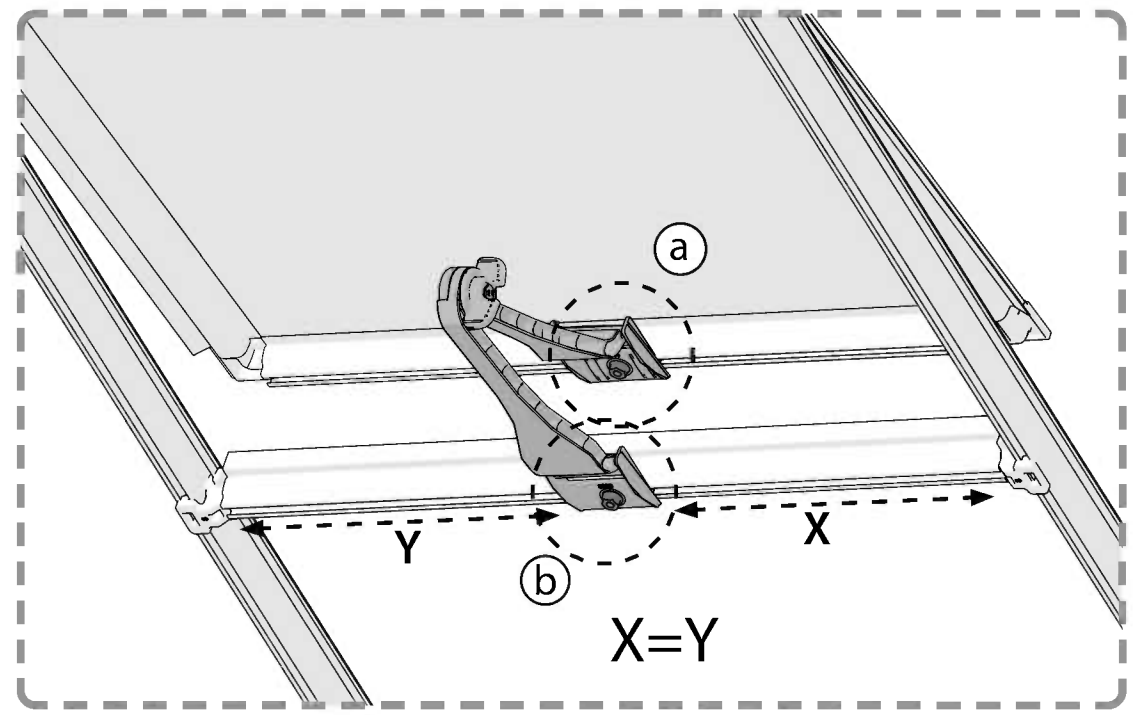
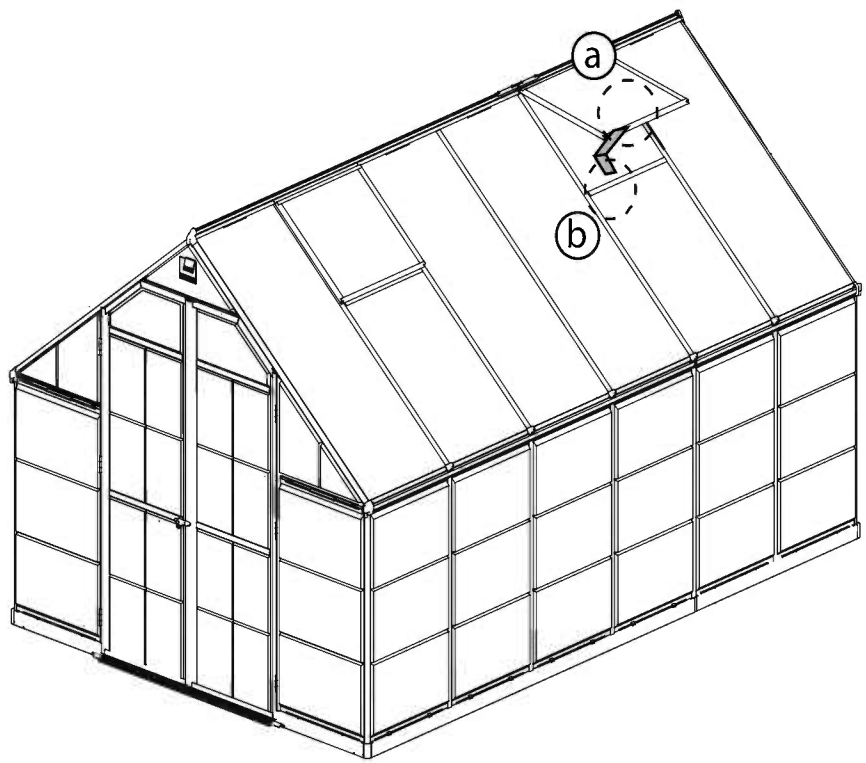
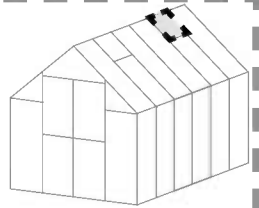
b

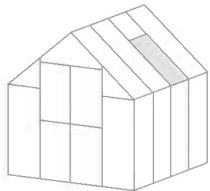




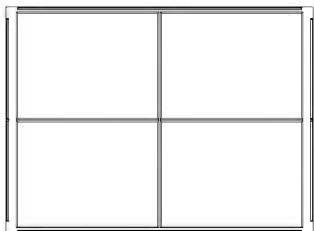
21  Only For Extension Kit

- | | | |
|--|---|---|
| 8797... 1 | 558..... 1 | |
| 8798... 1 | 809..... 1 | |
| 8800... 1 | 22..... 2 | |
| 8799... 1 | 461... 1 | 410... 1 |
| 8801... 1 | 466... 2 | 412... 1 |

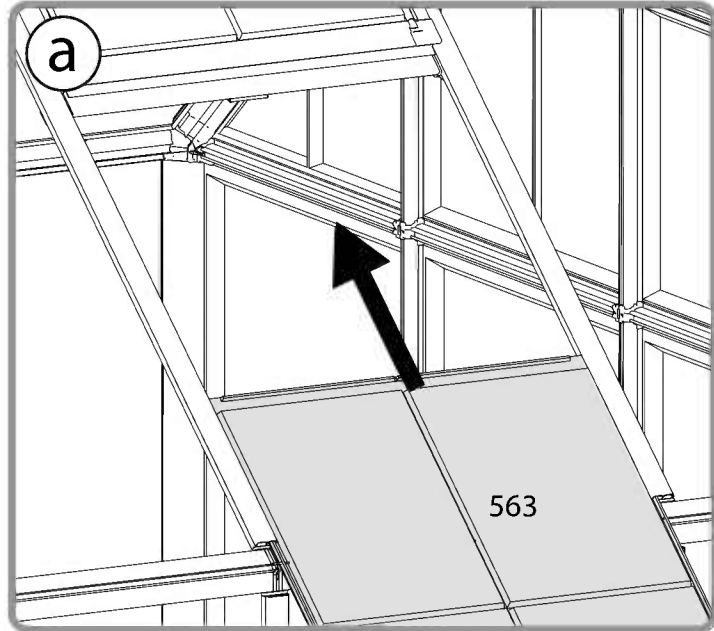
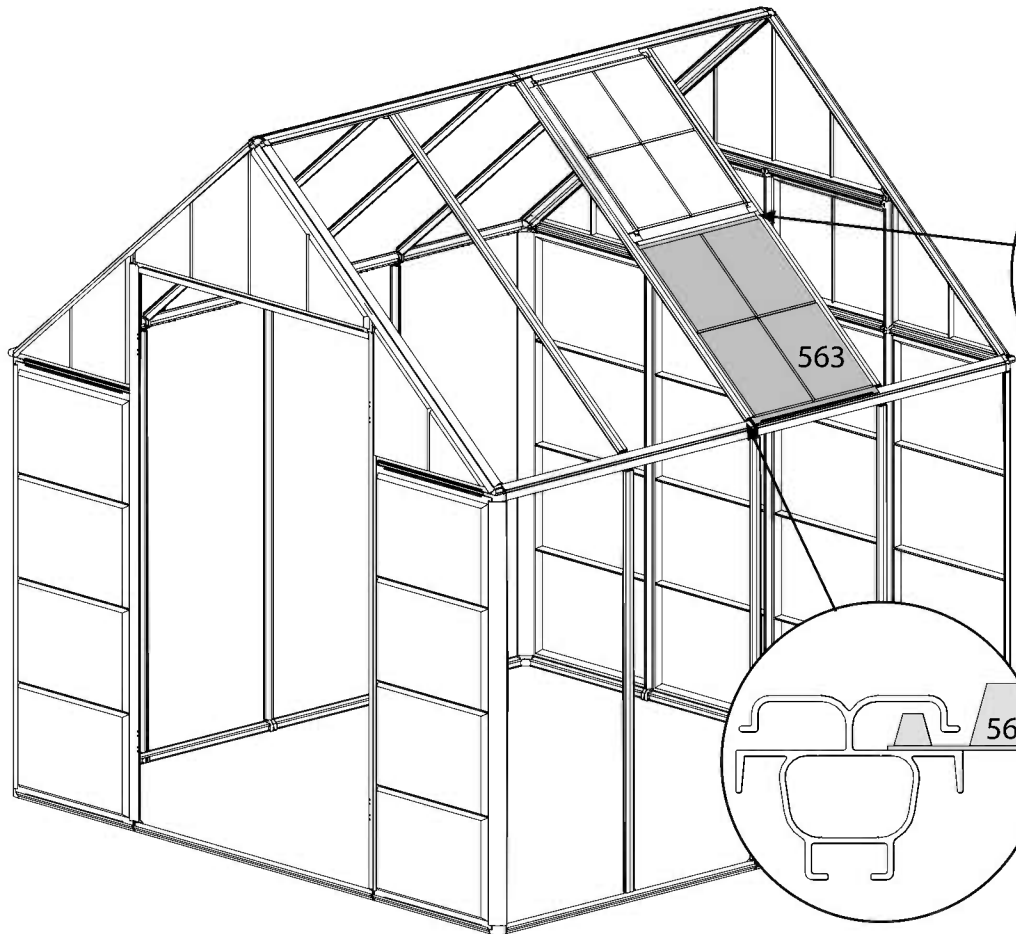


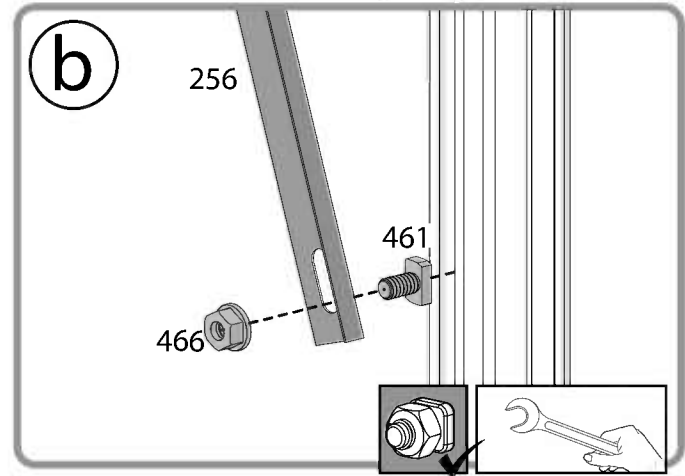
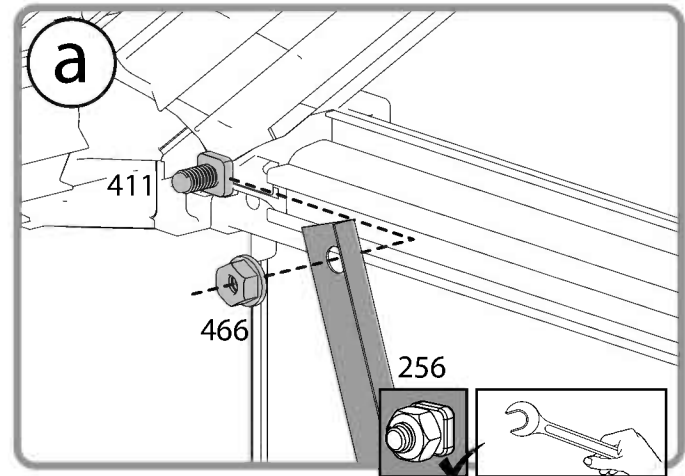
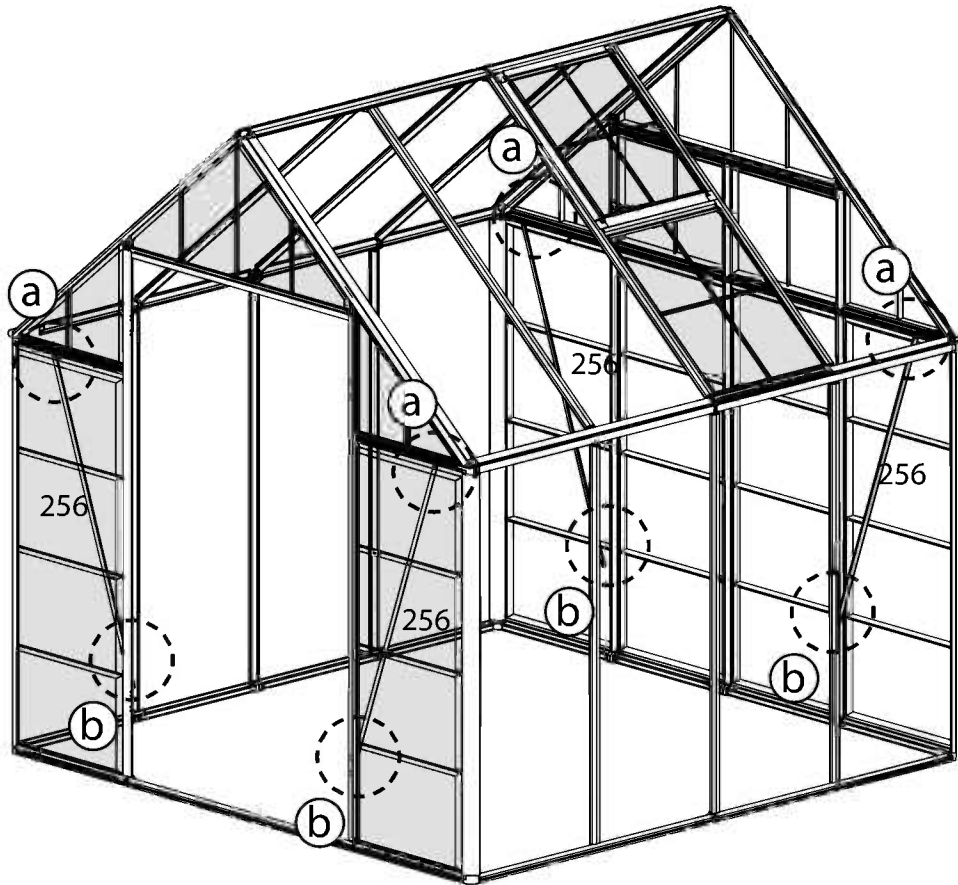
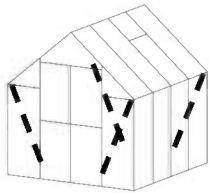


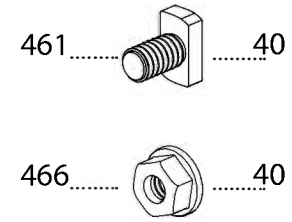
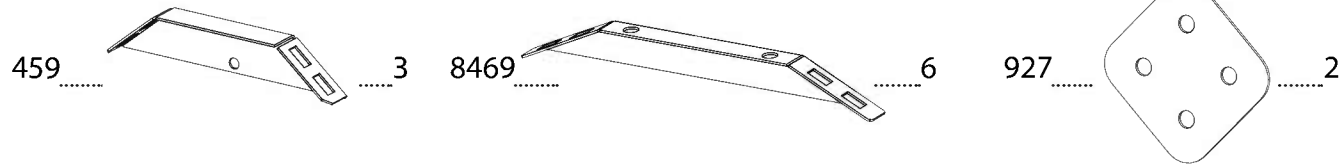
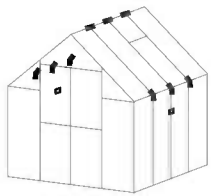
563 1



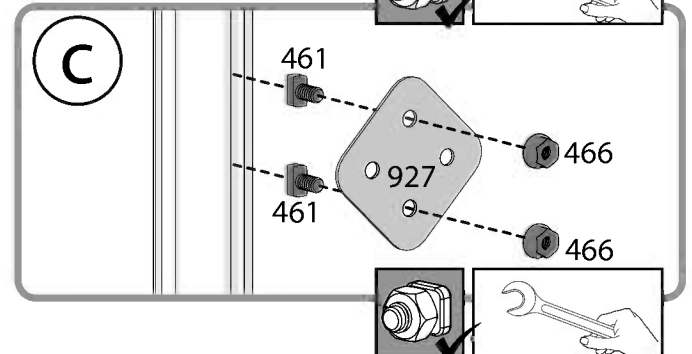
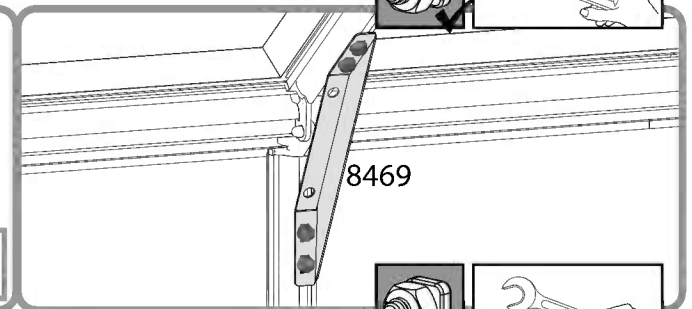
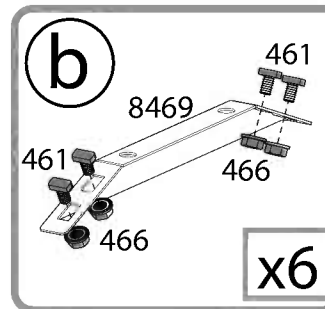
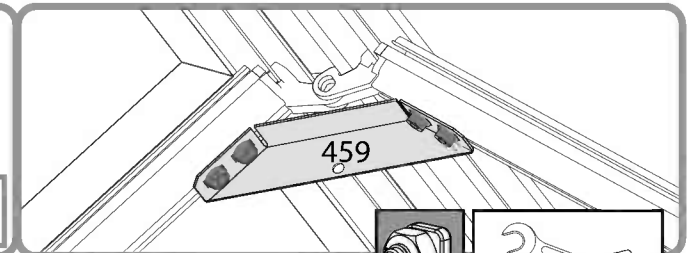
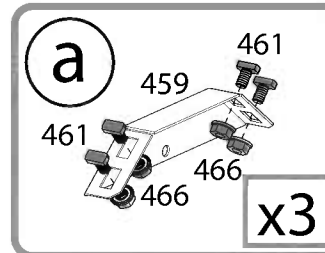
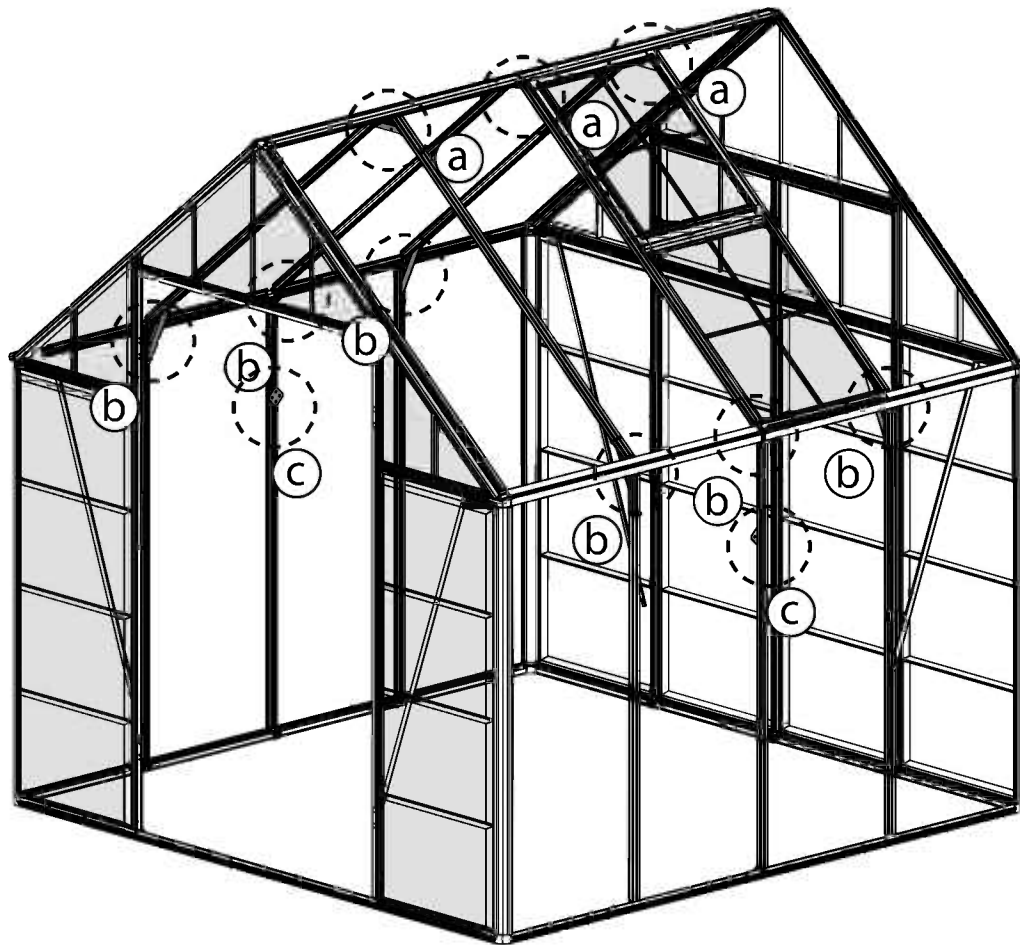
563 1

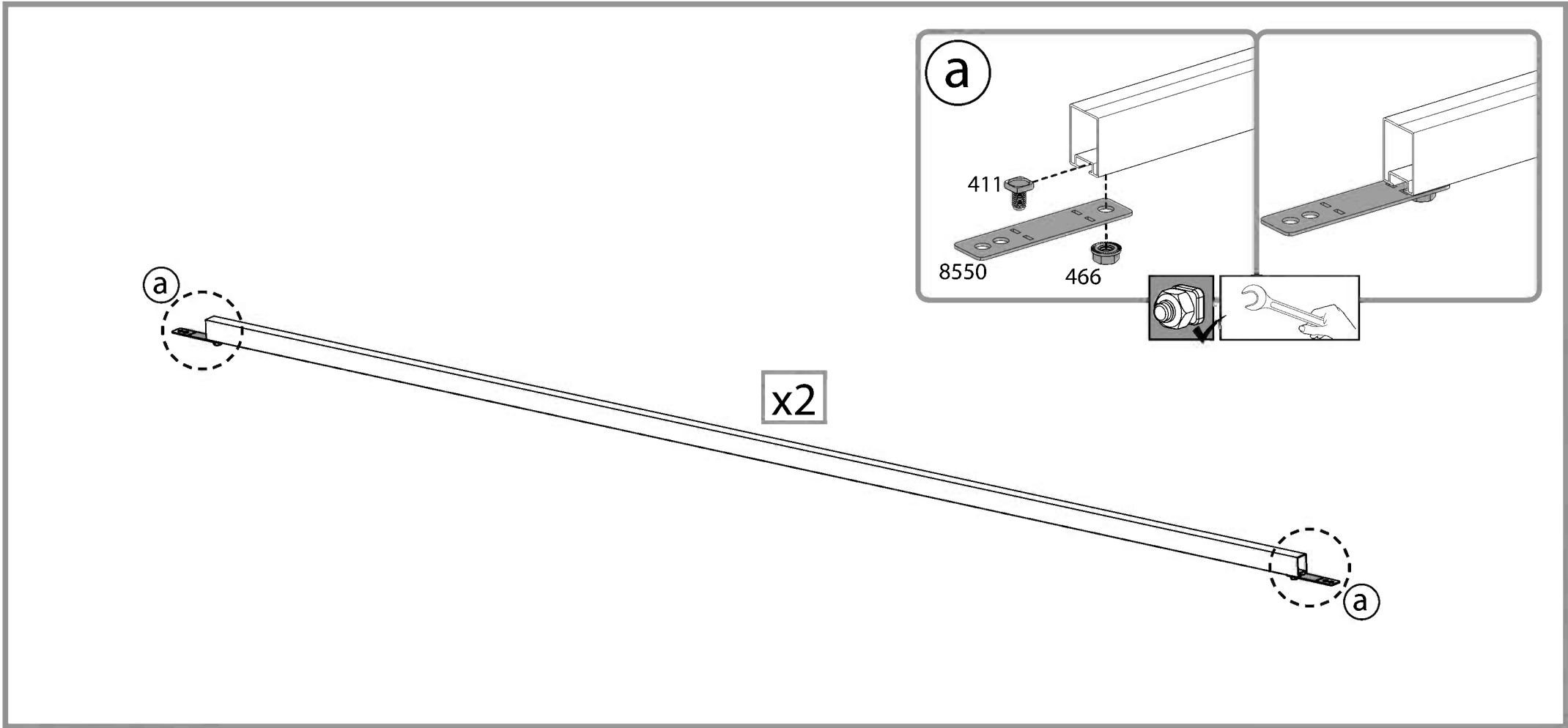
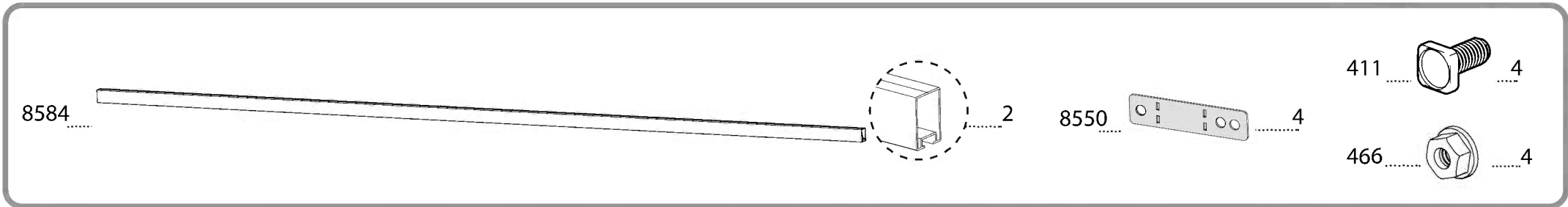
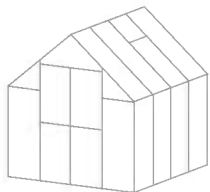




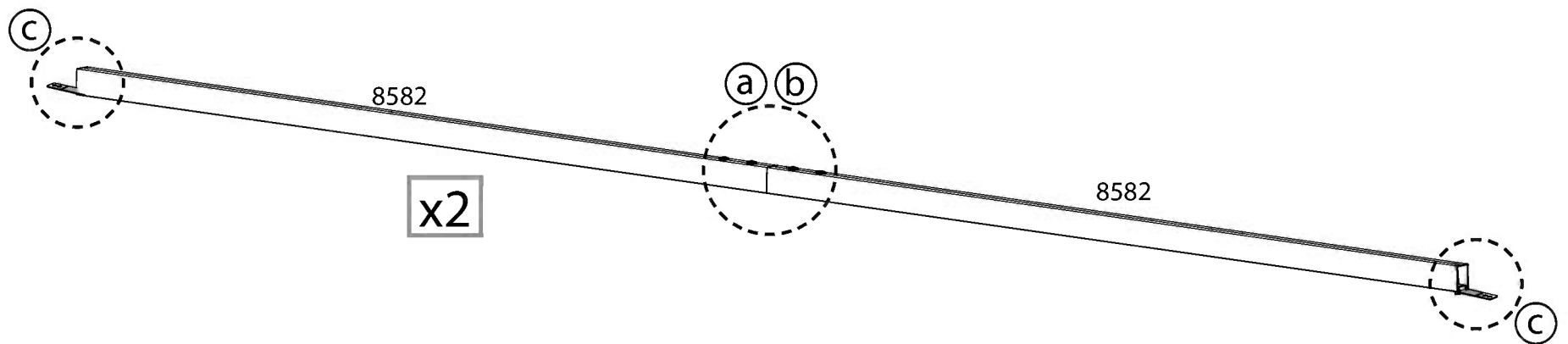
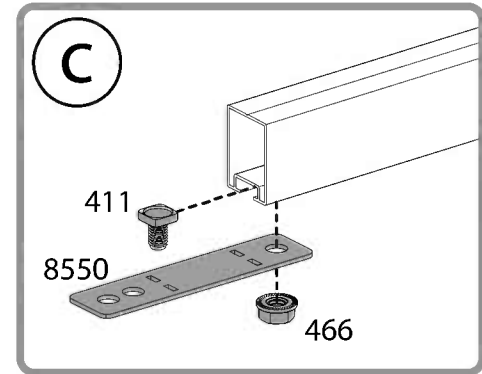
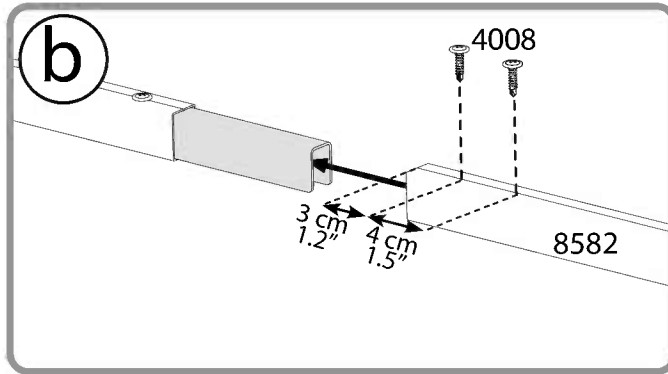
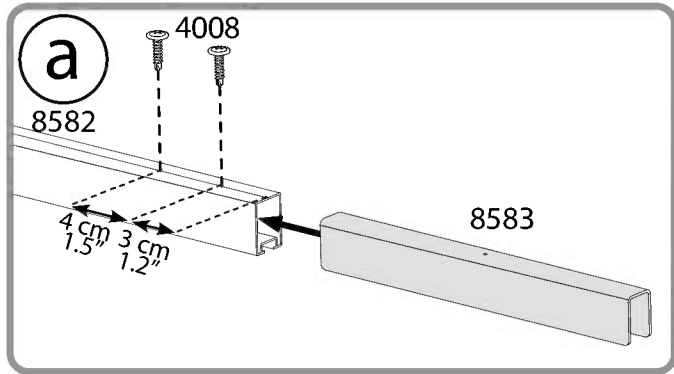
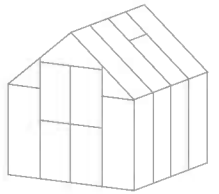


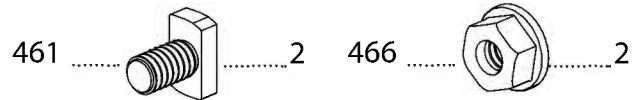
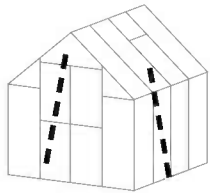
<p>Extension Kit</p>	459 2
	8469 4
	461 24
	466 24



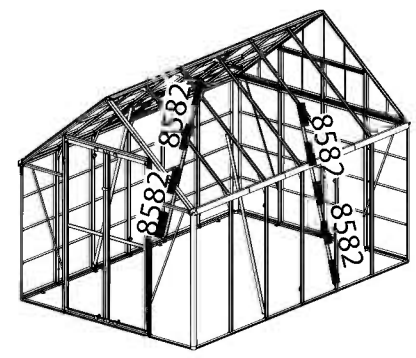
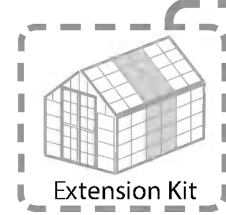
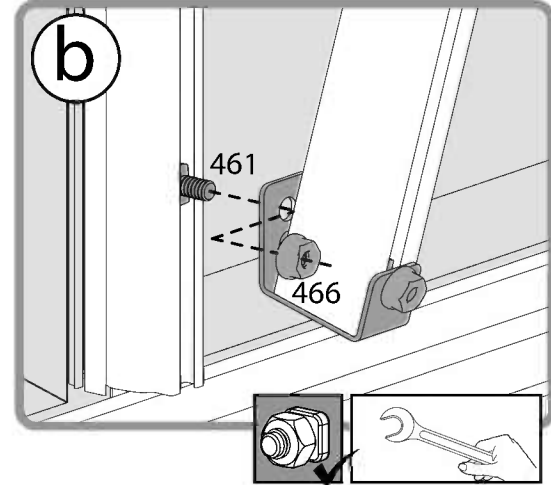
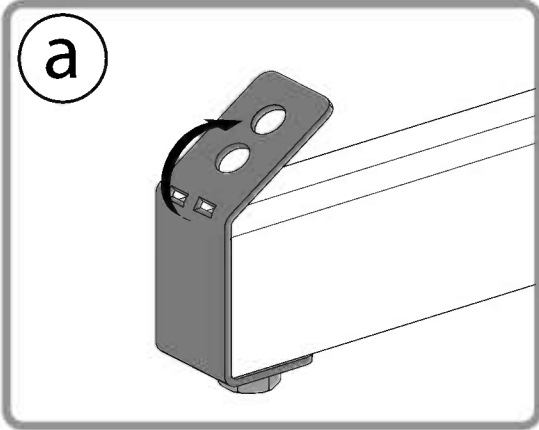
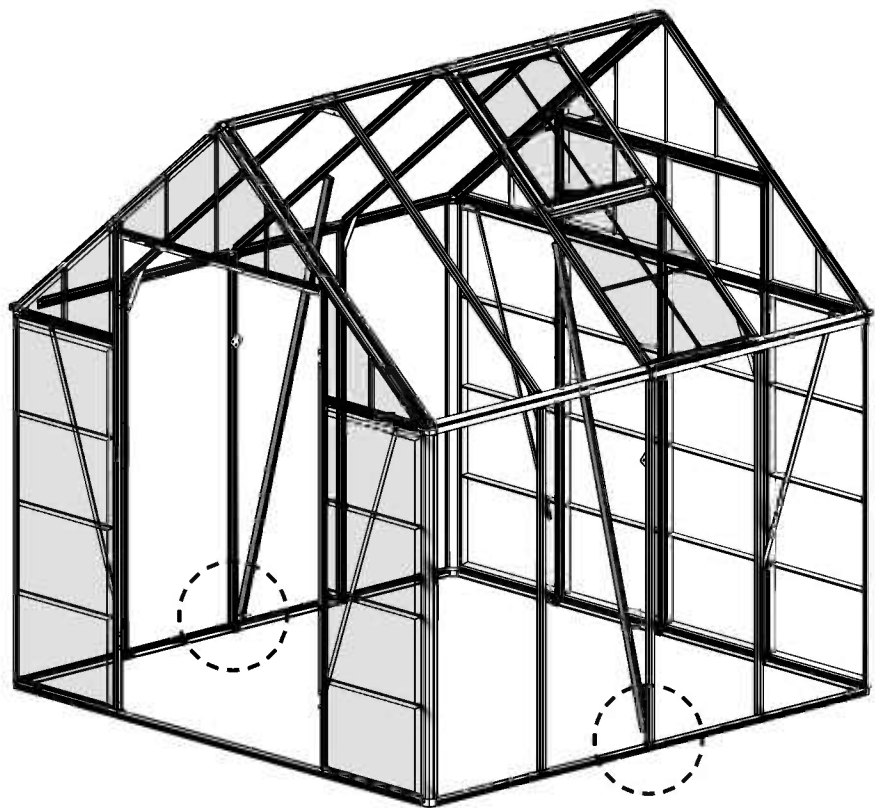


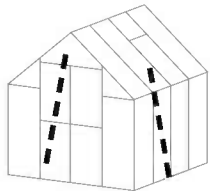
26 Only For Extension Kit





461 2
466 2

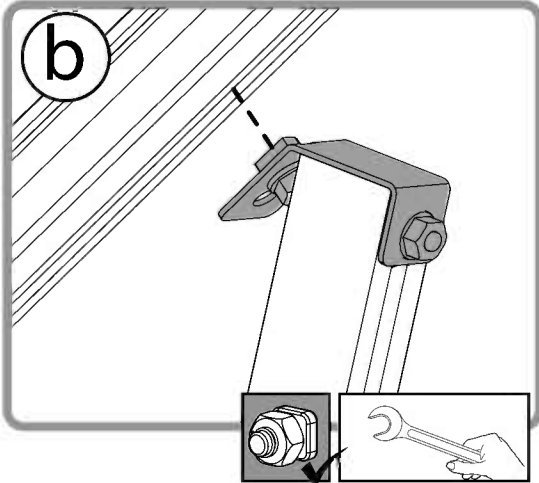
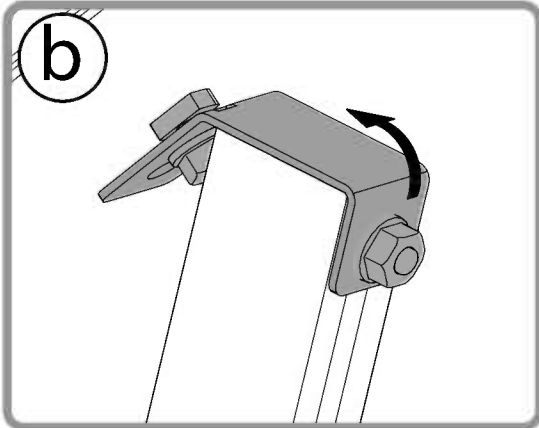
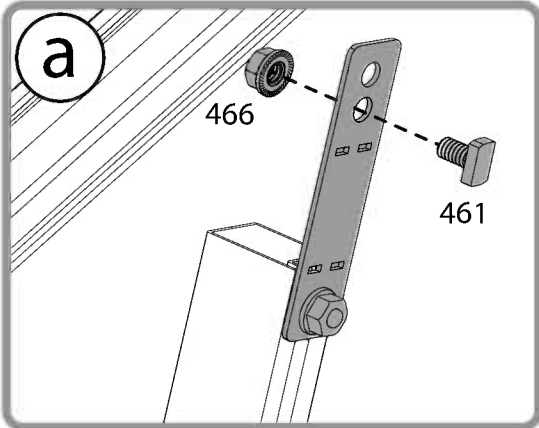
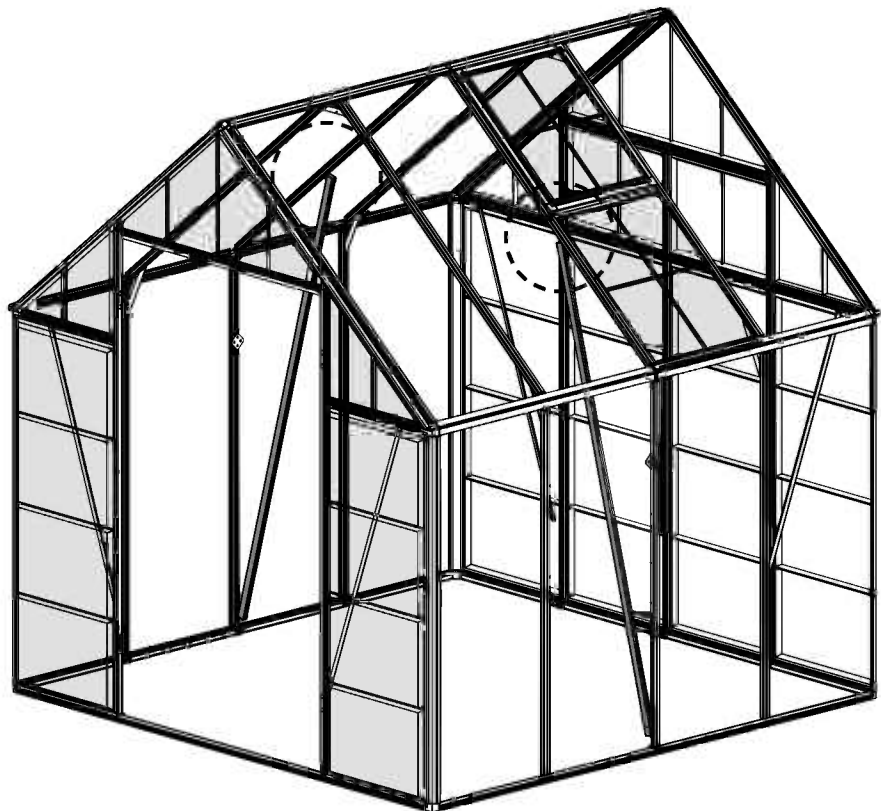


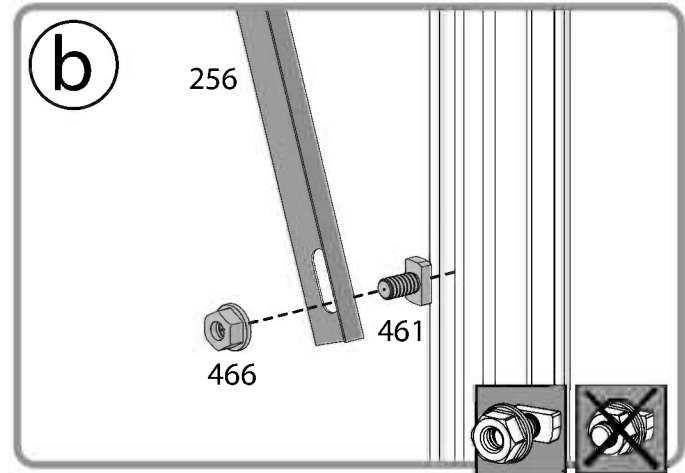
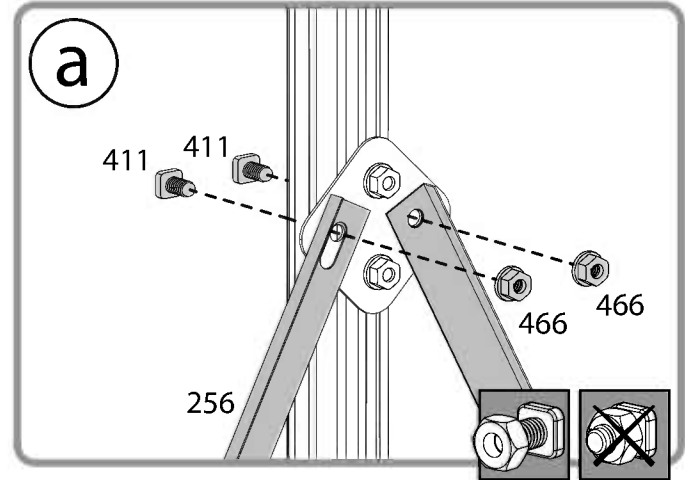
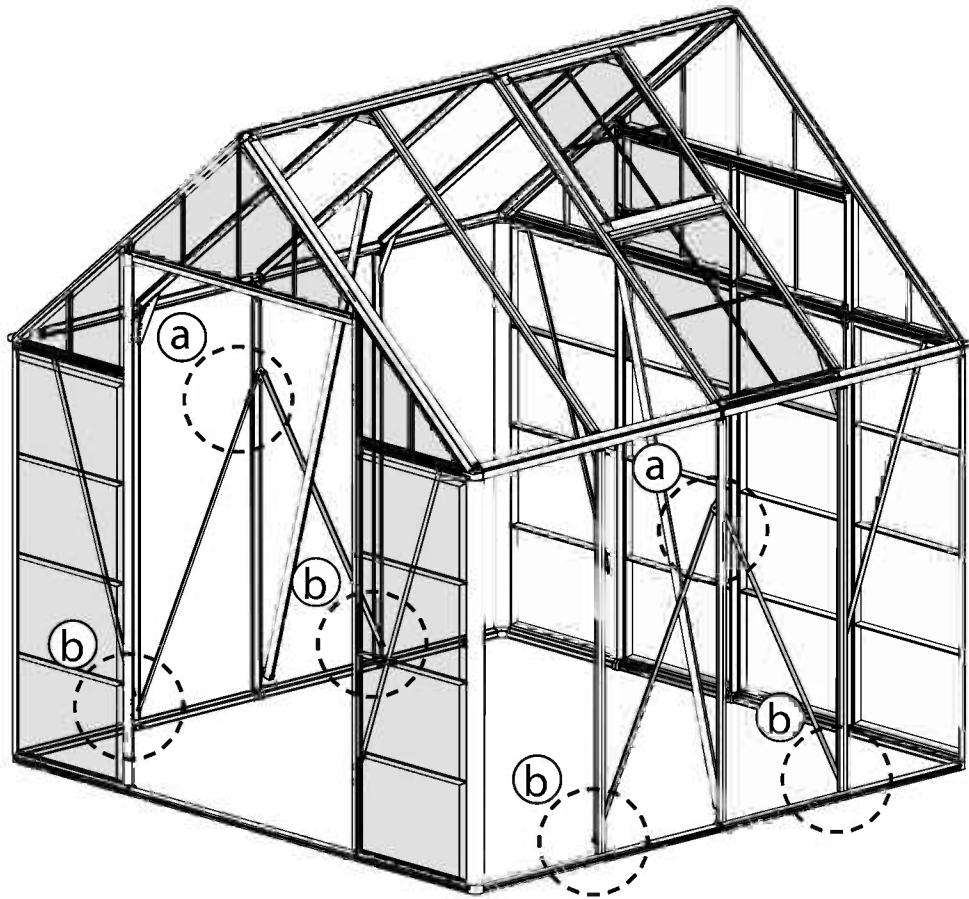
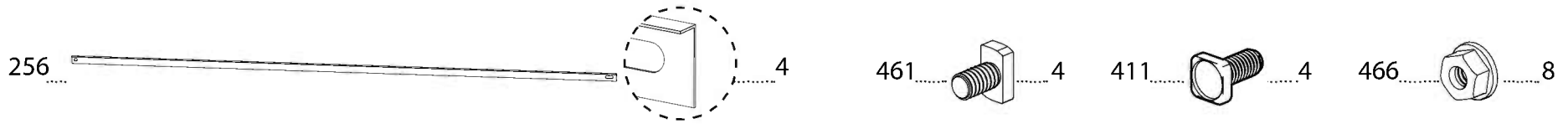
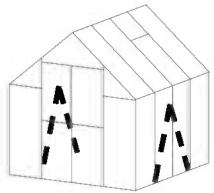


461 2 466 2

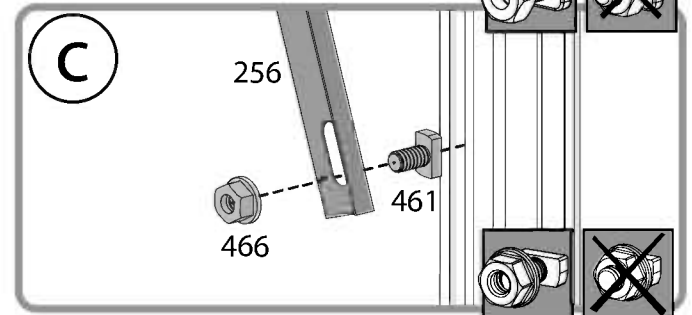
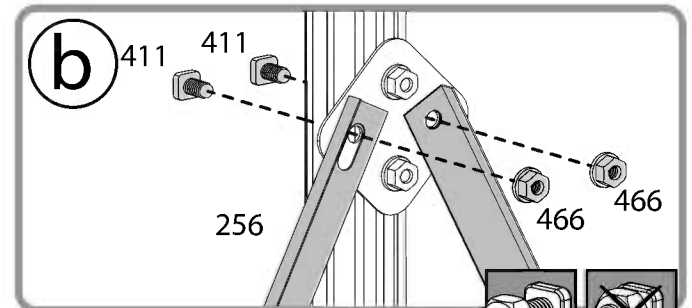
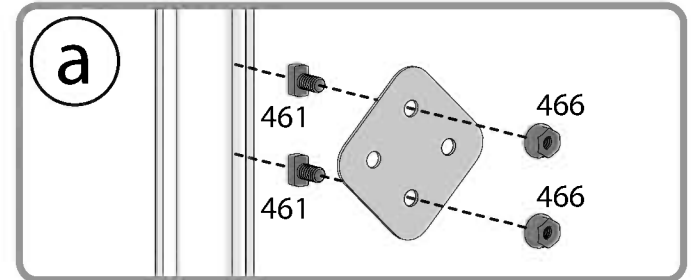
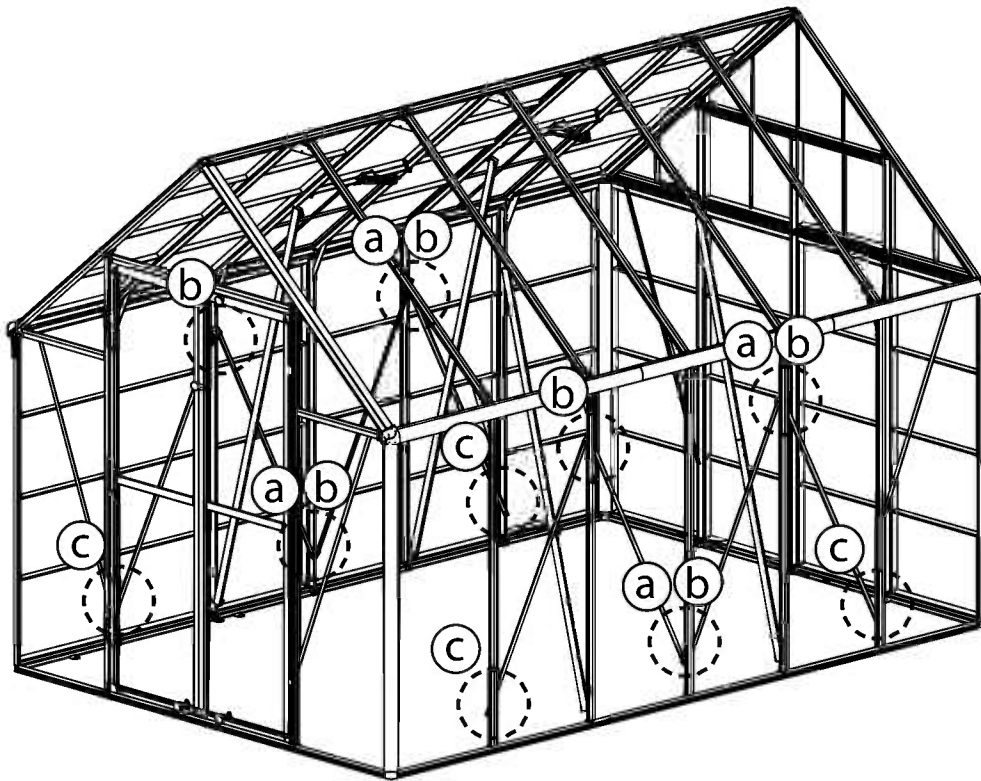
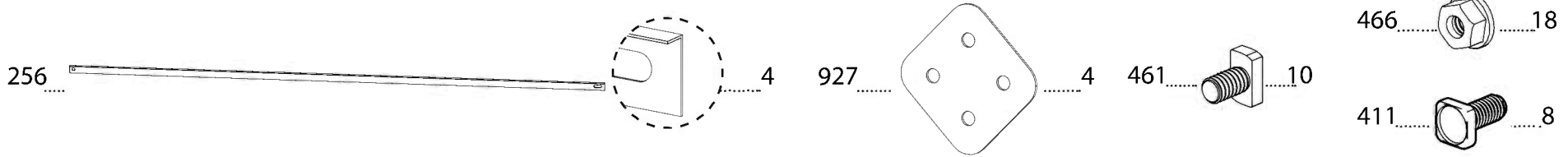
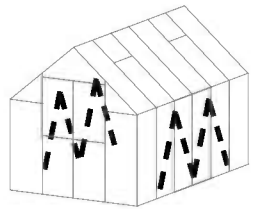


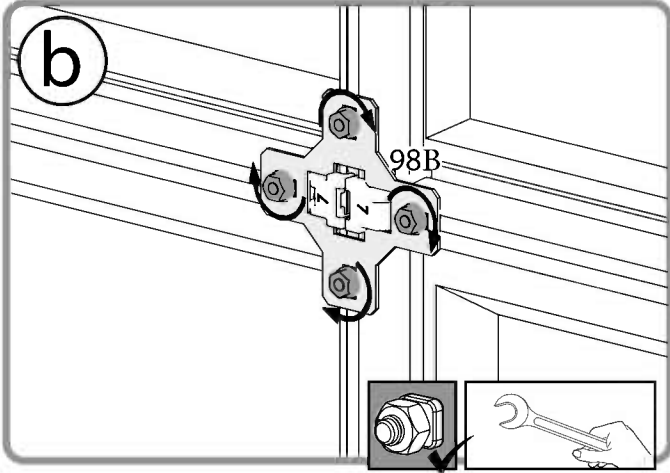
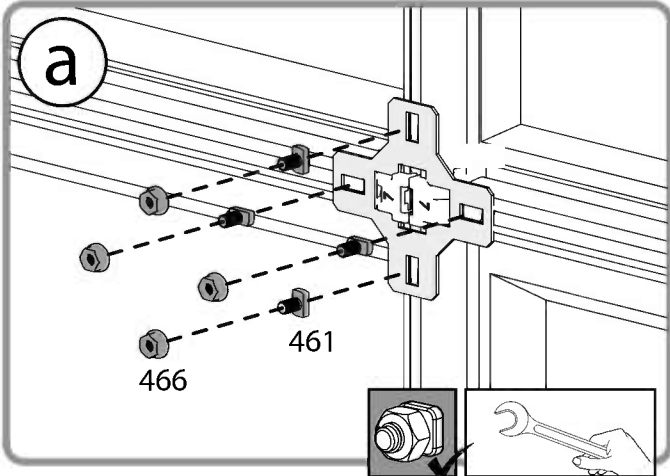
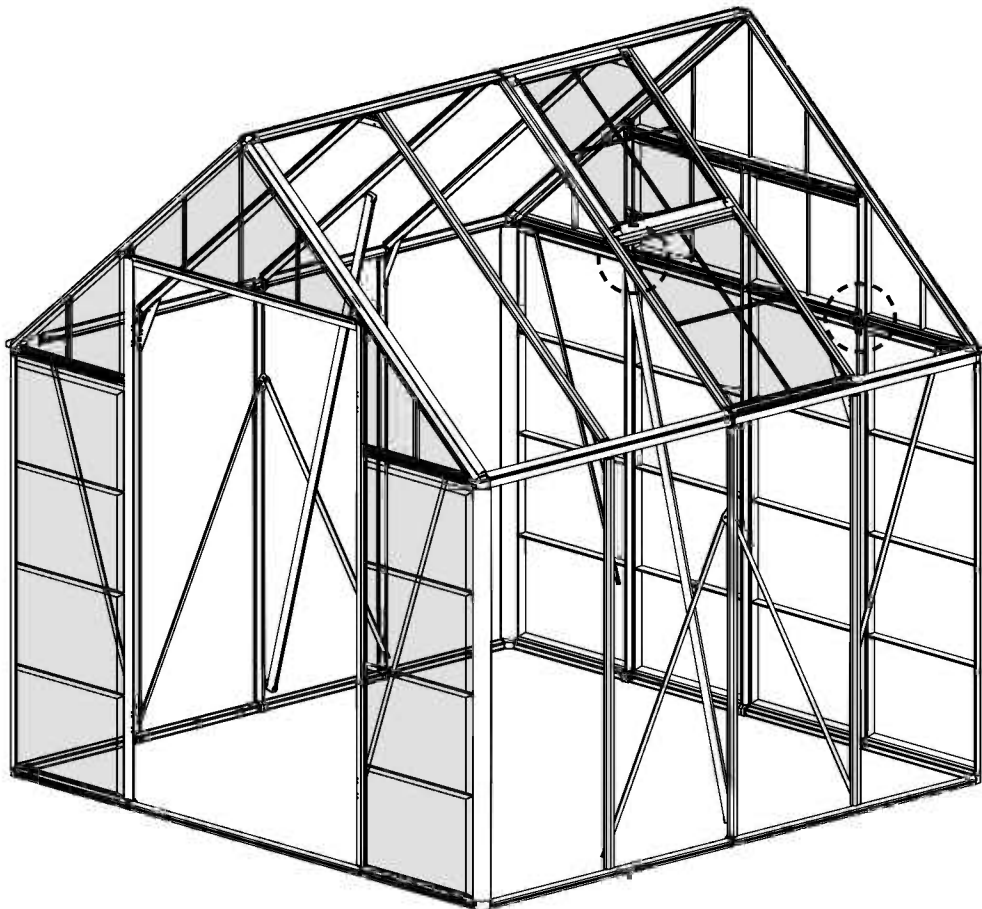
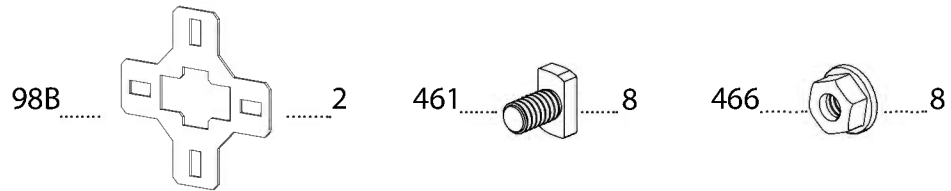
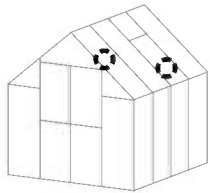
461 2
466 2

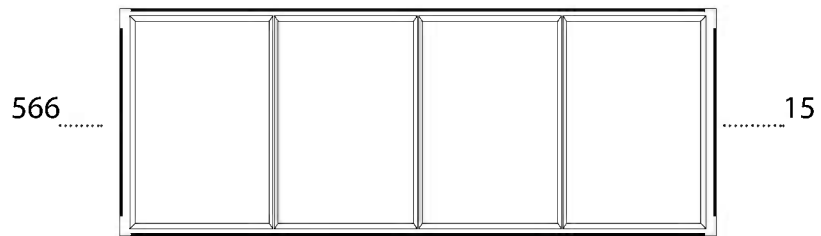
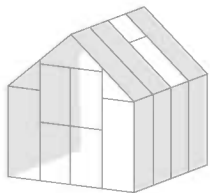




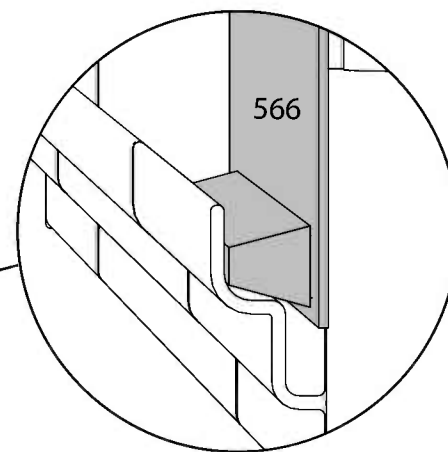
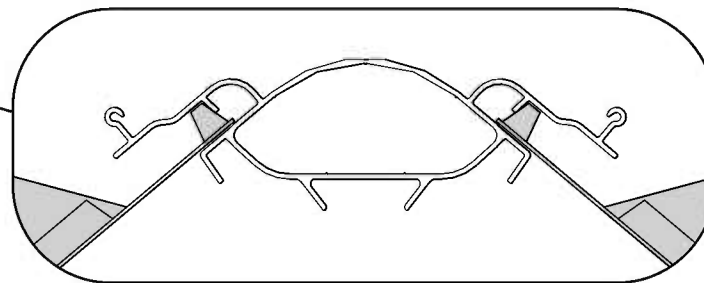
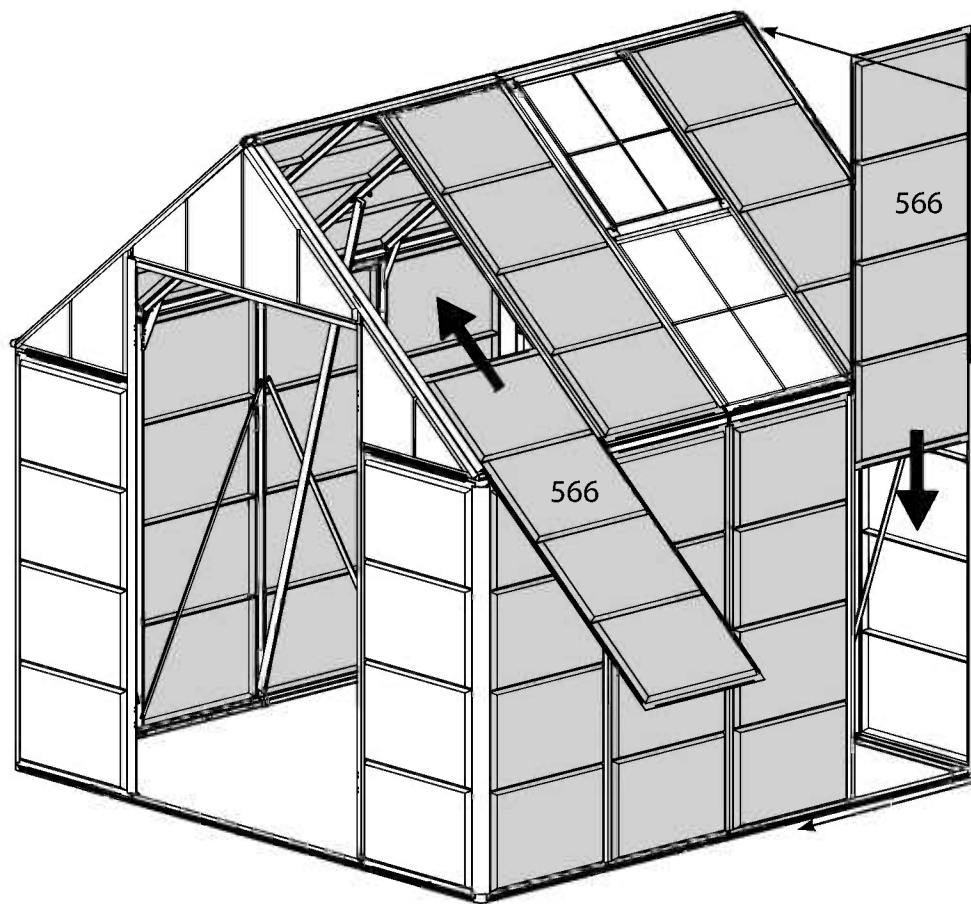
30 Only For Extension Kit

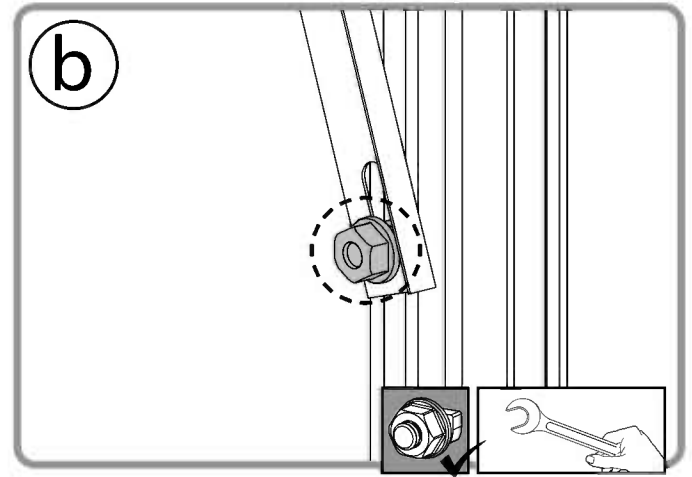
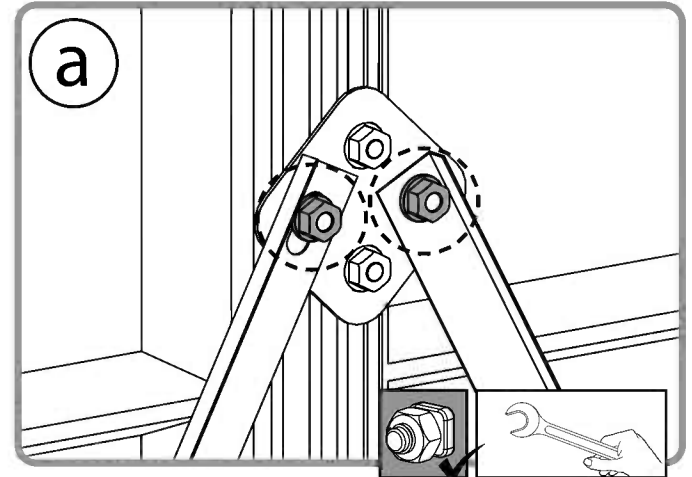
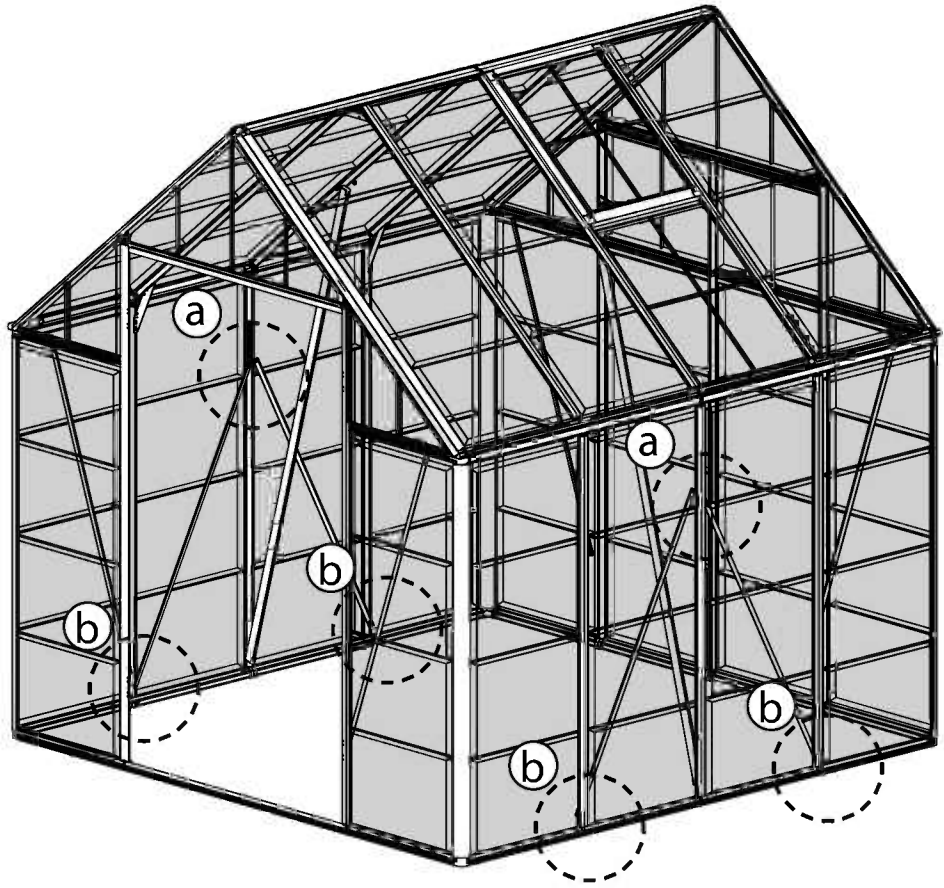
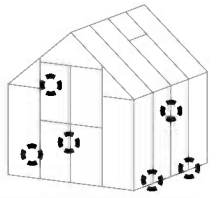


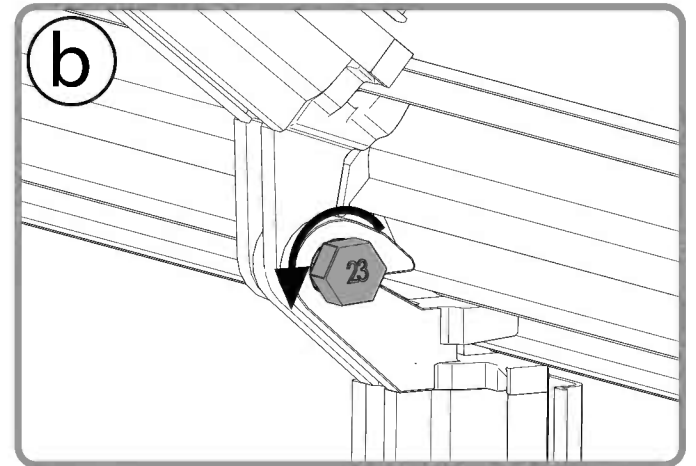
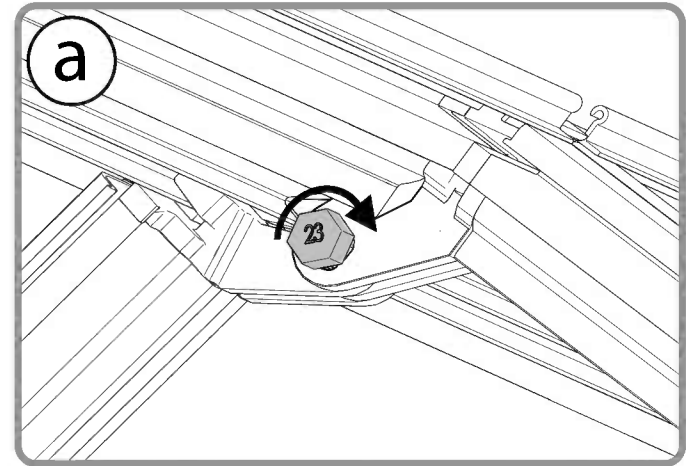
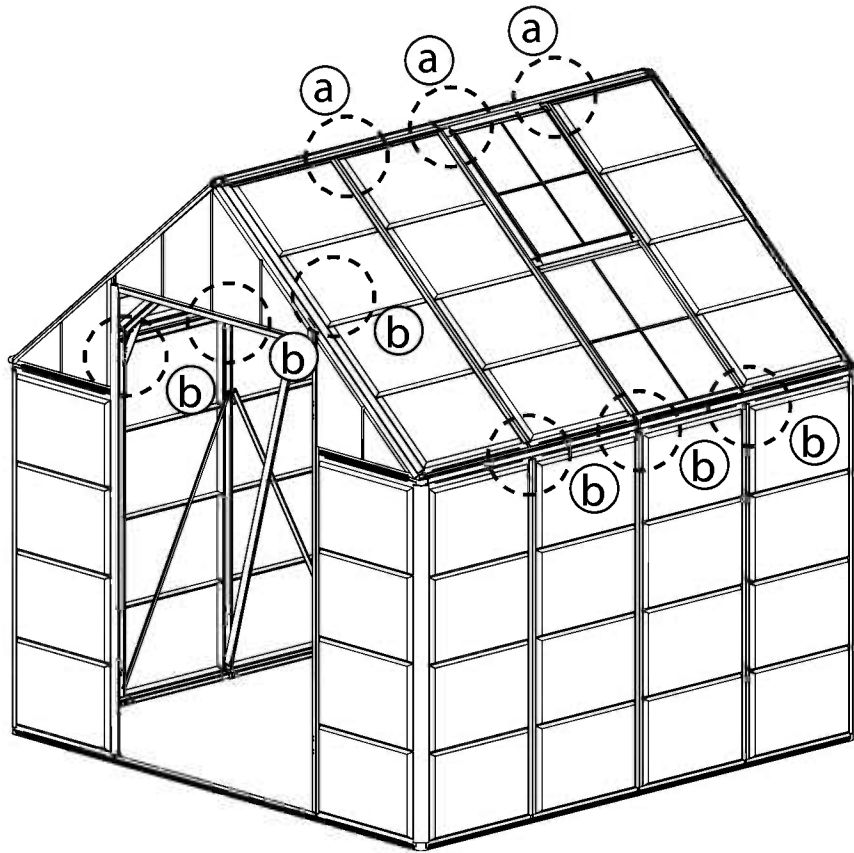
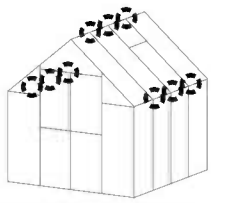


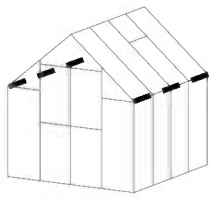



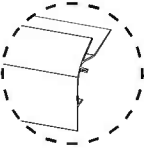
566 7


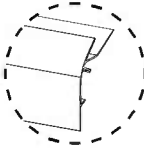





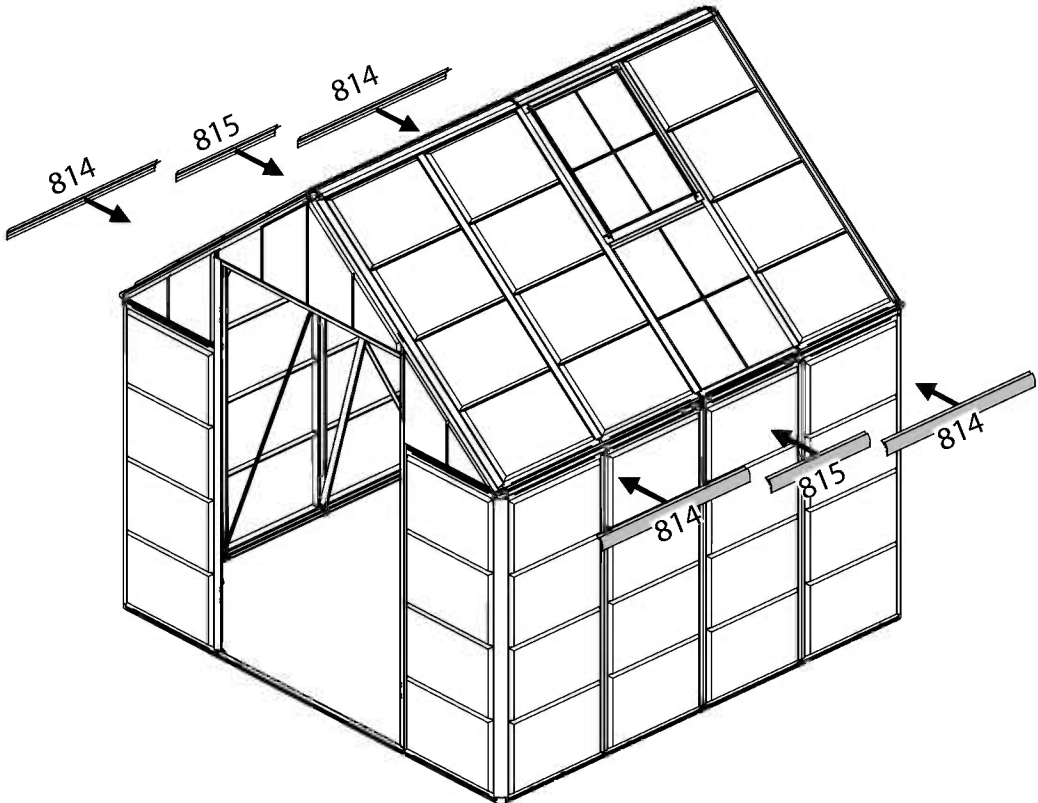


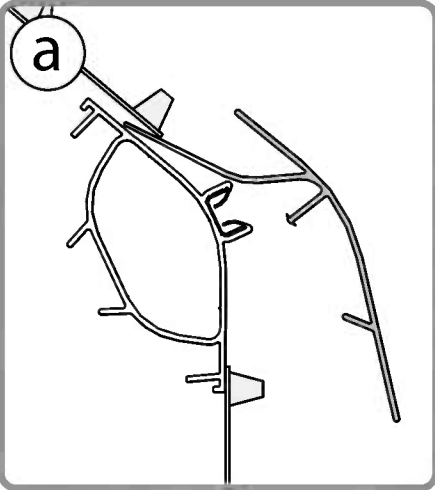


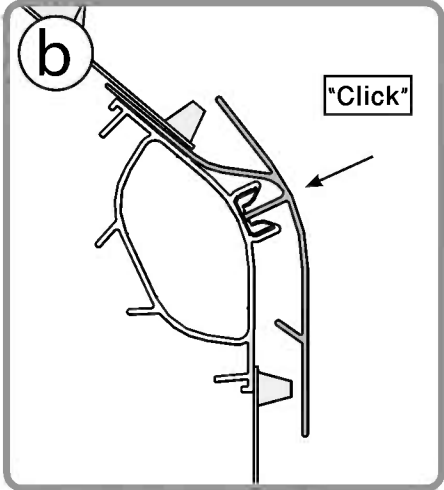
814  4  4


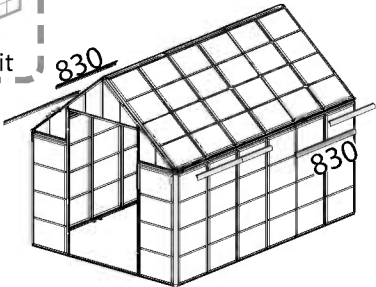
815  2  2

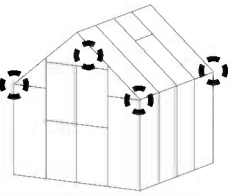
 Extension Kit 830 2



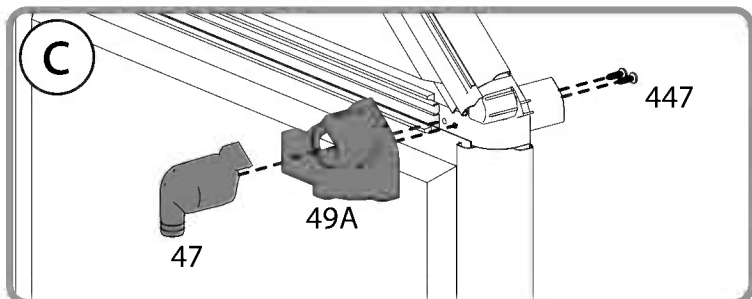
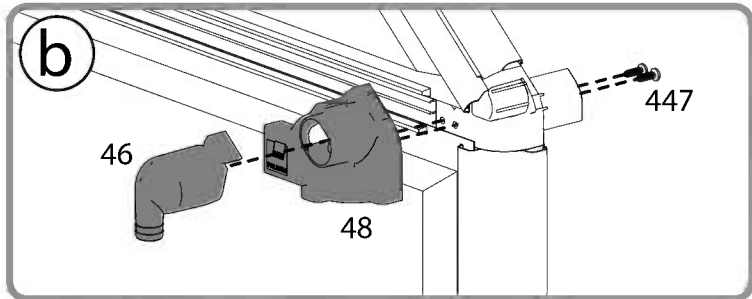
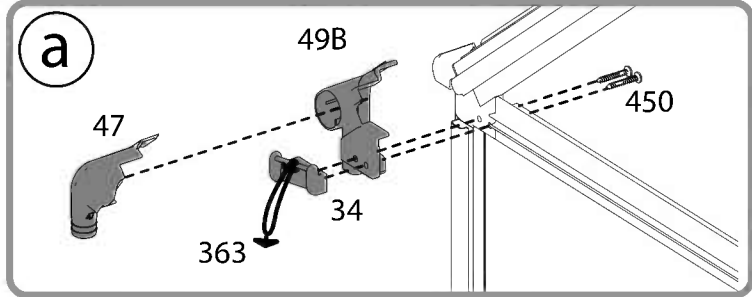
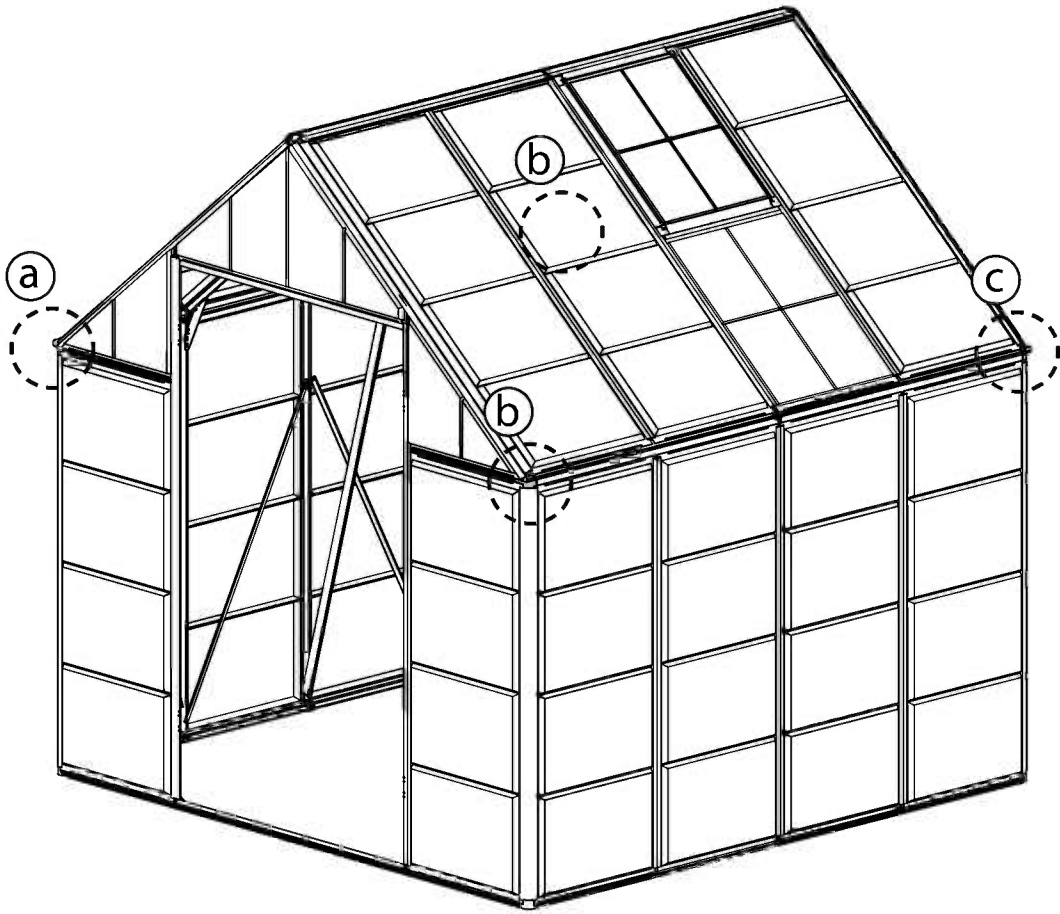
a 

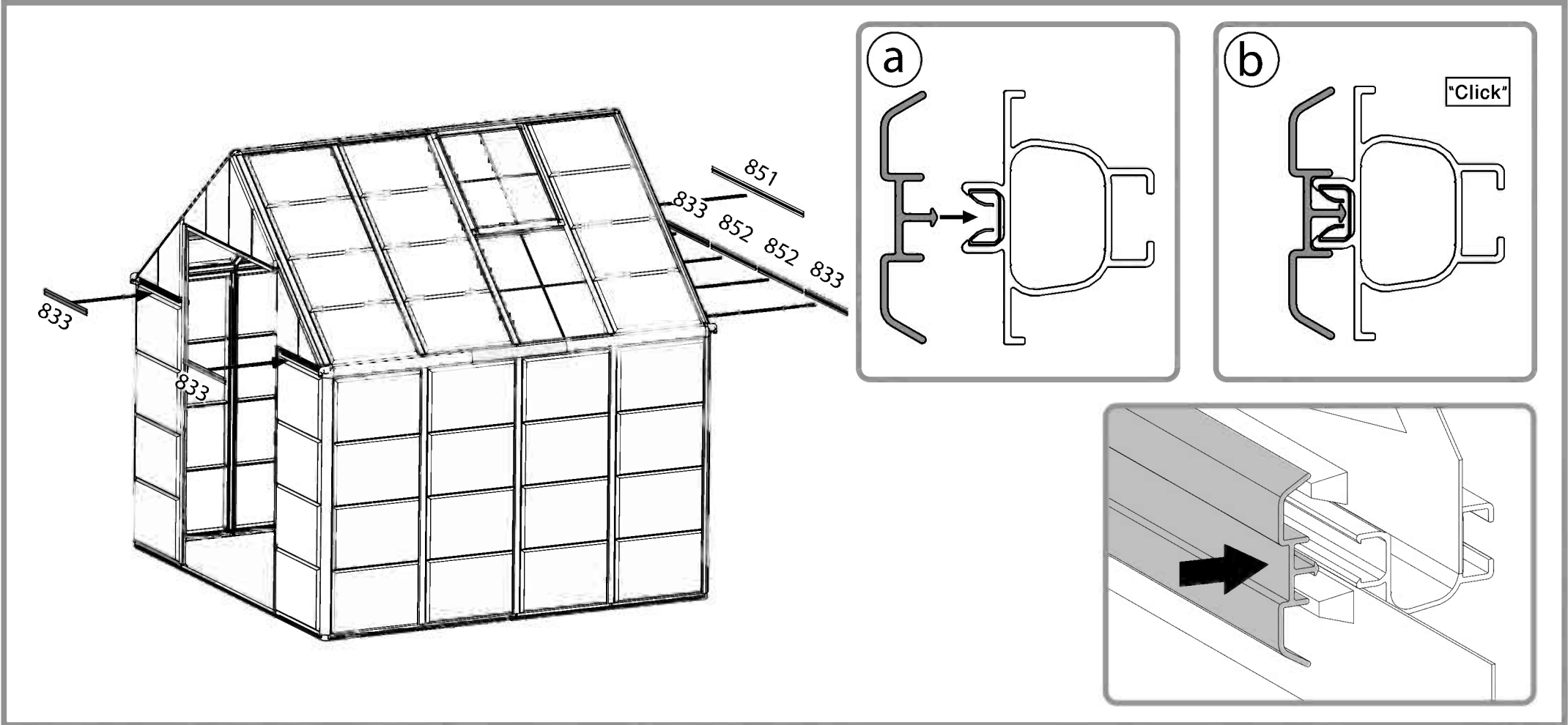
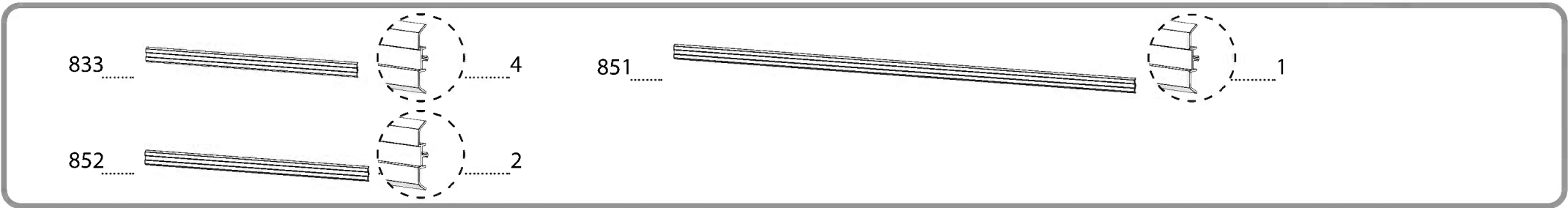
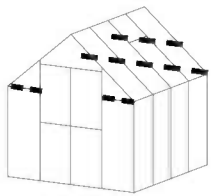
b  "Click"

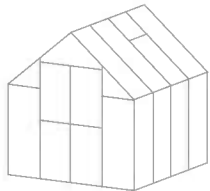
 Extension Kit  830 830



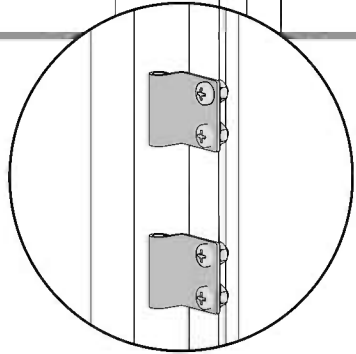
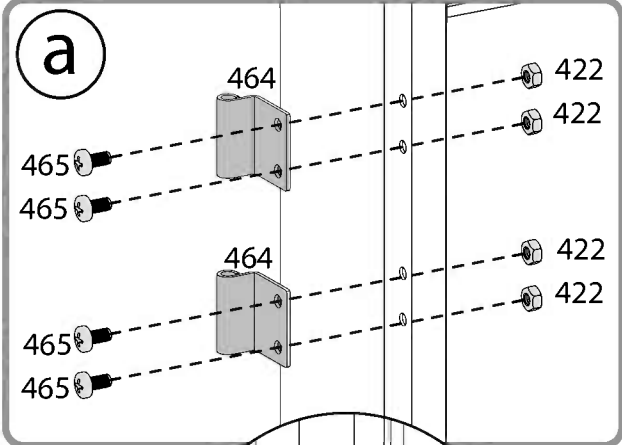
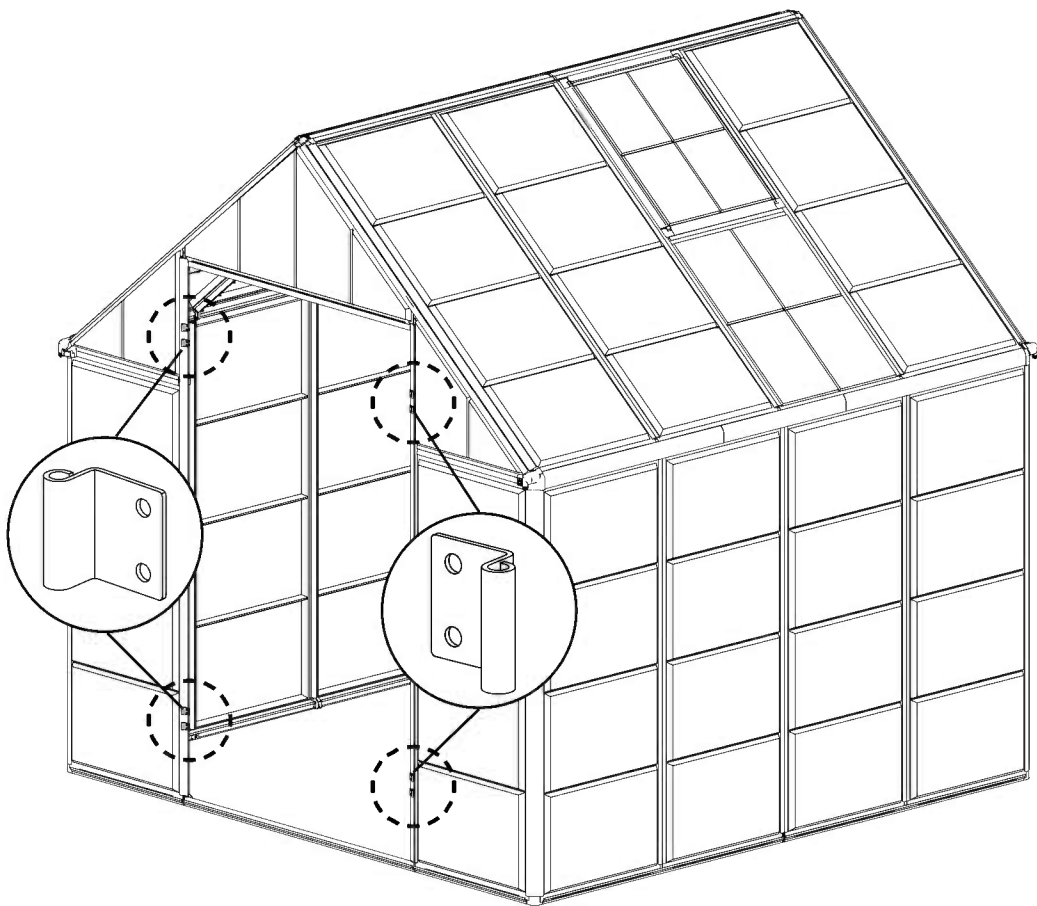
- 48 2
- 49B 1
- 49A 1
- 47 2
- 46 2
- 34 1
- 363 2
- 450 2
- 447 6

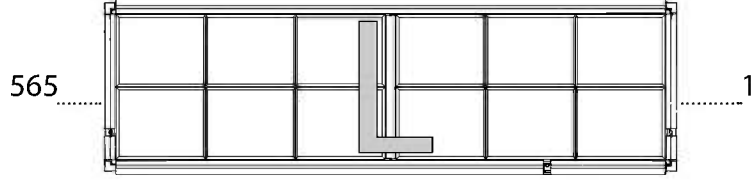
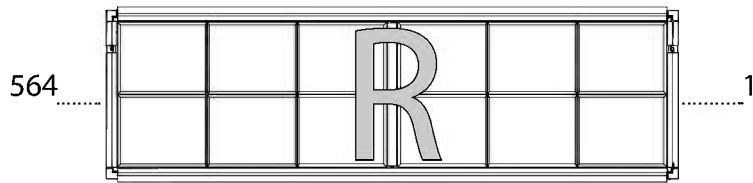
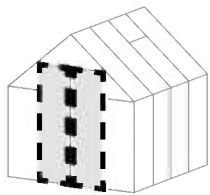




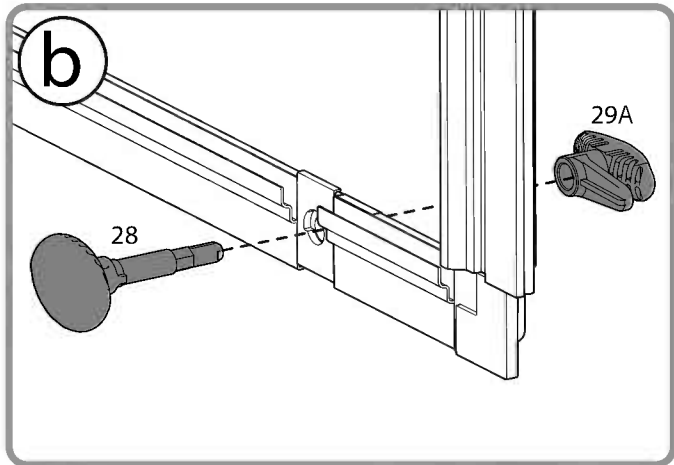
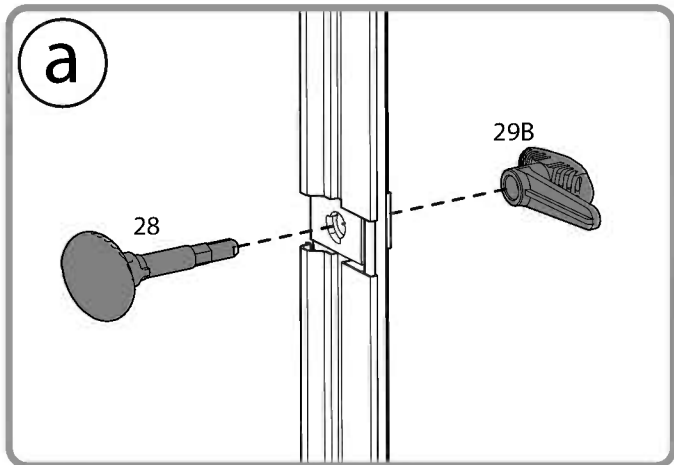
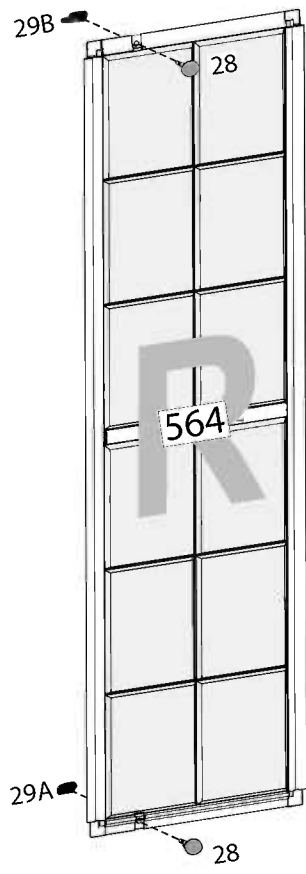
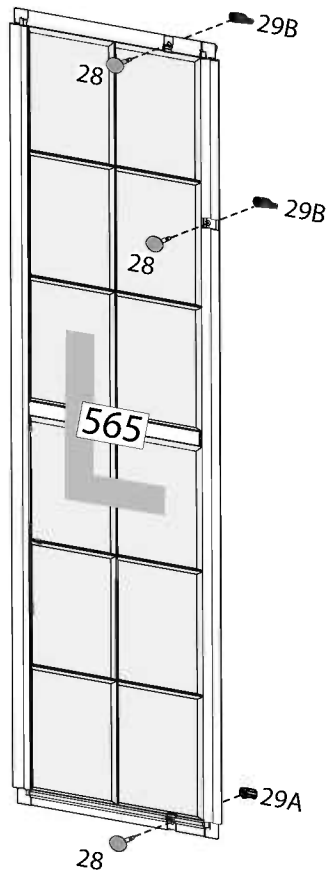


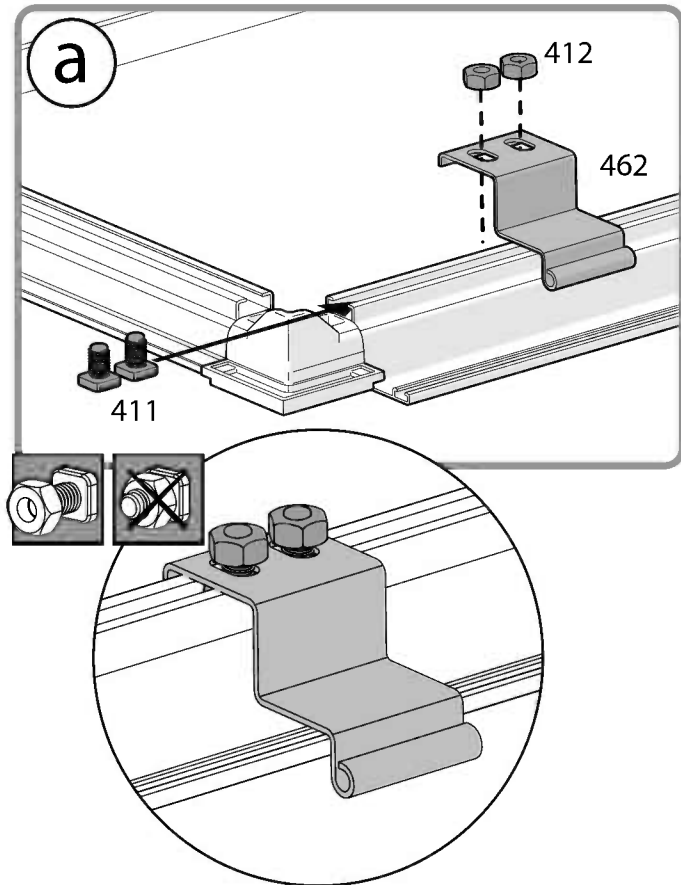
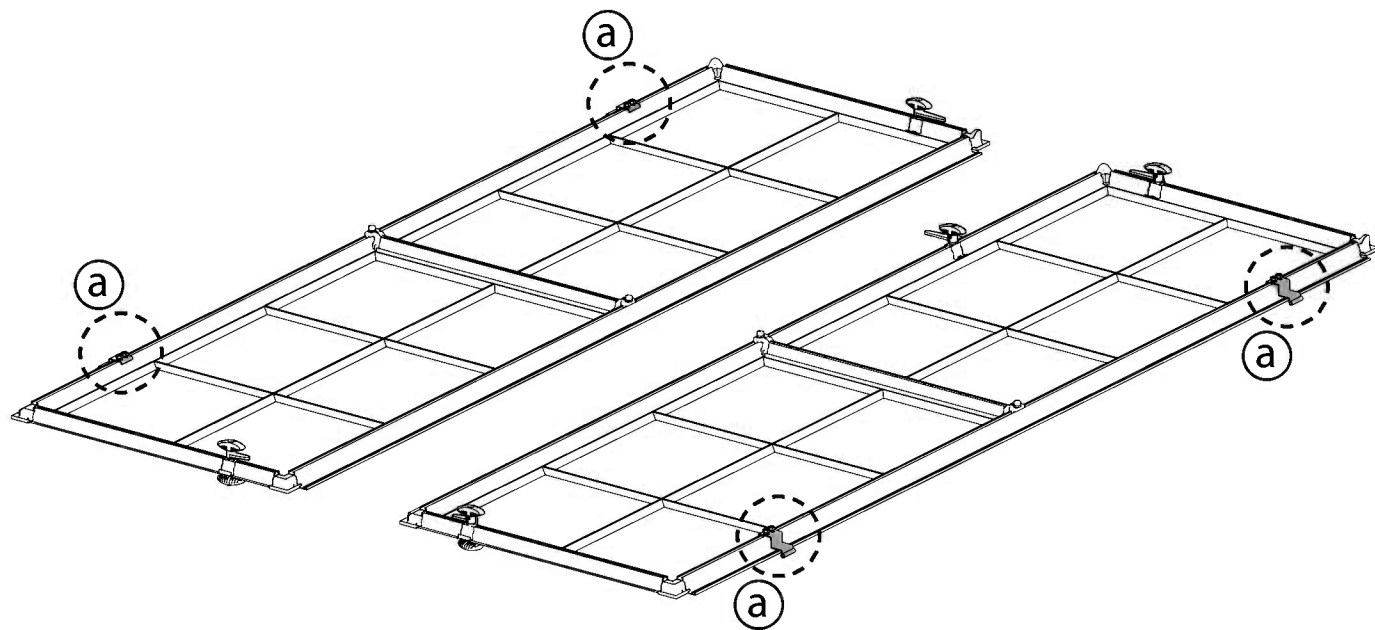
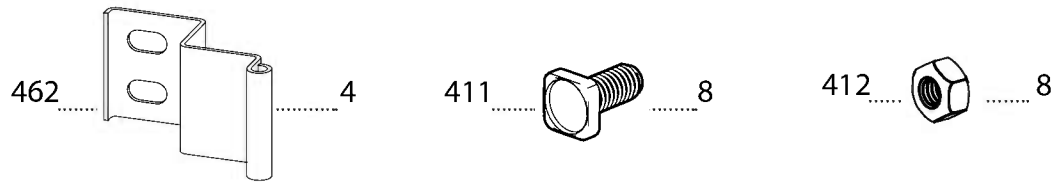
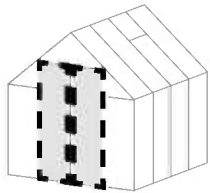
- 464 8 465 16 422 16

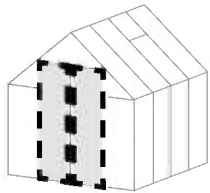




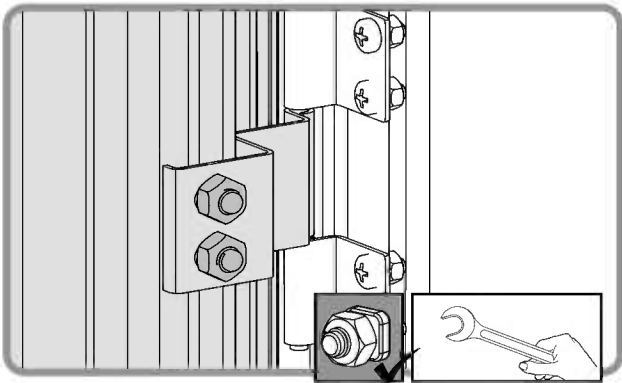
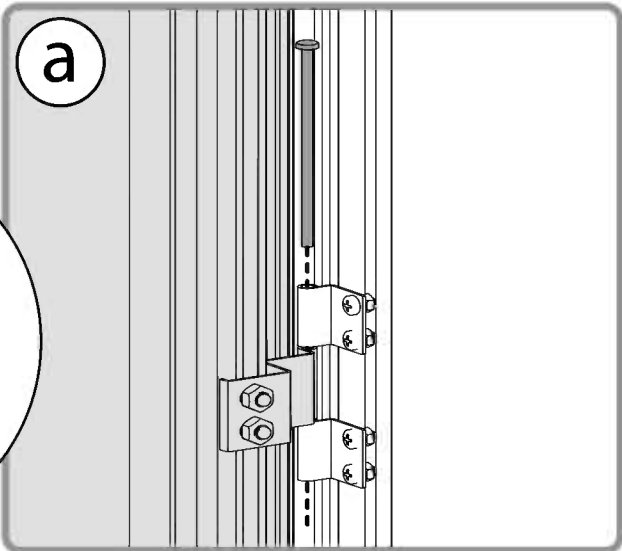
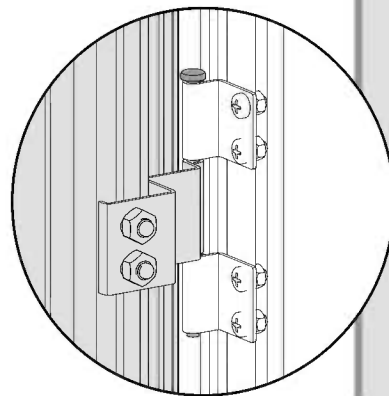
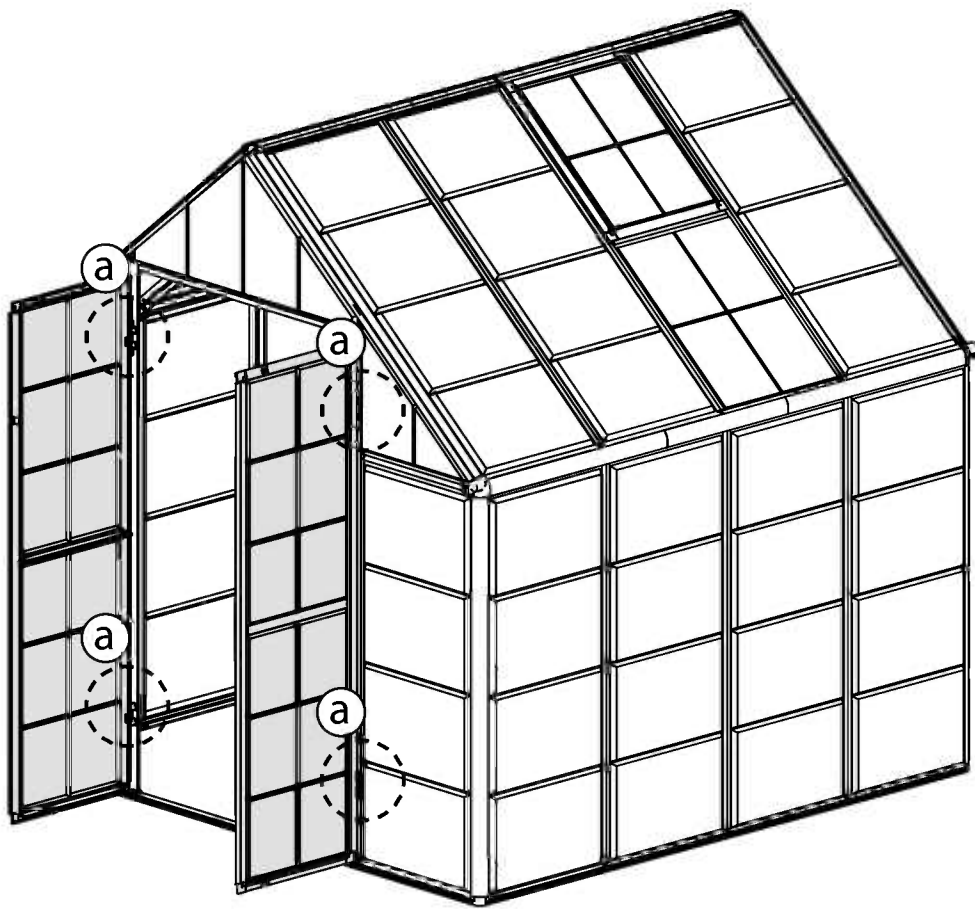
- 28 5
- 29B 3
- 29A 2

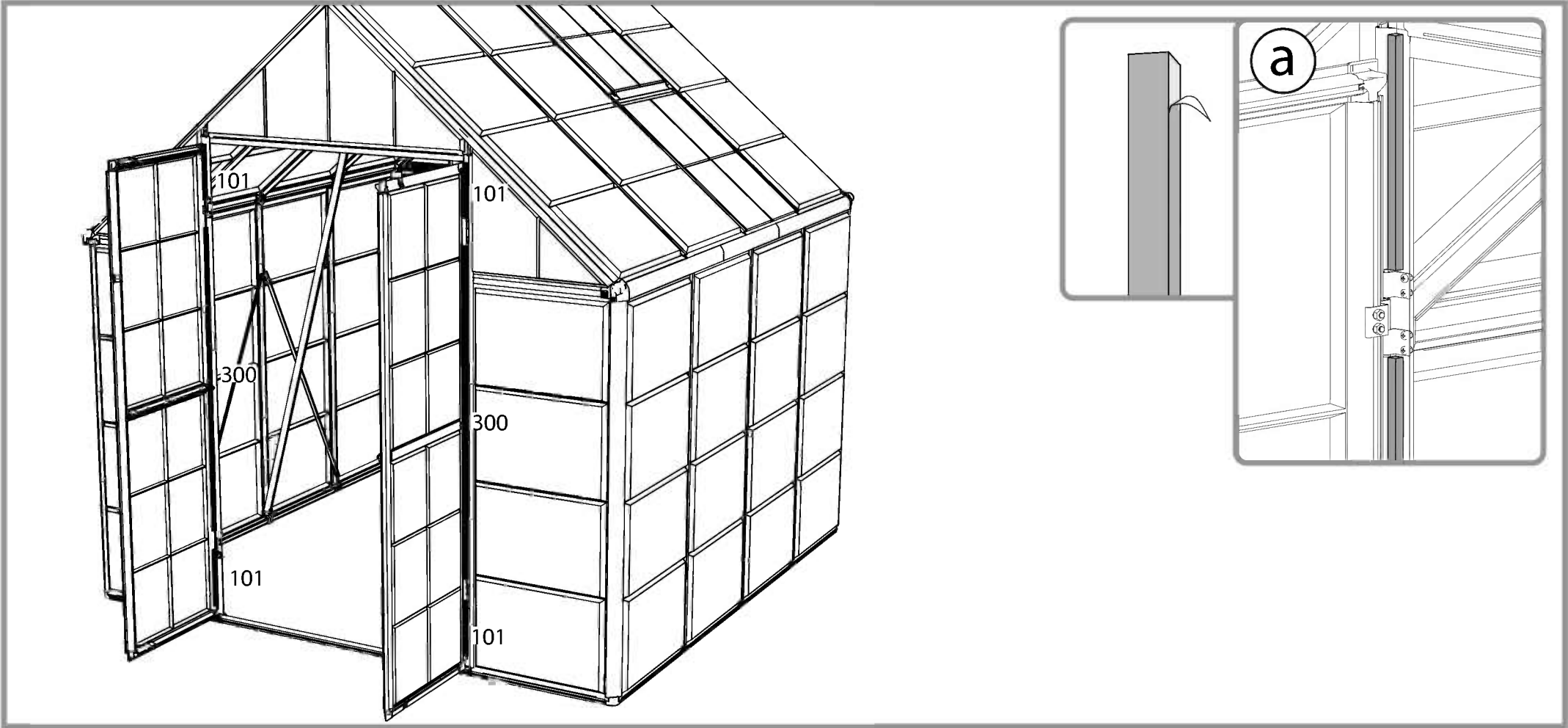
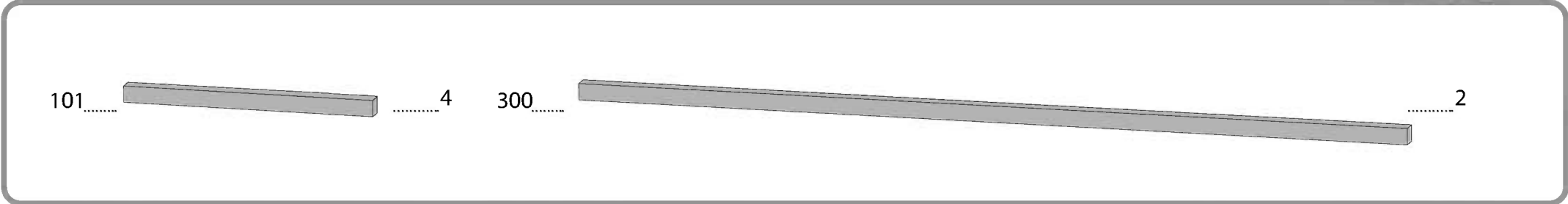
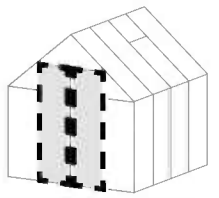






463 4





Palram Applications (1995) Ltd (Company number: 512106824) whose registered office is at Teradion Industrial Park, M.P Misgav 20174, Israel ("Palram") warrants that the product will be free from defects in material or workmanship for a period of 5 years from the original date of purchase subject to the definitions, terms and conditions contained in this warranty.

1. Conditions

- This warranty shall be valid only if the product is installed, cleaned, handled and maintained in accordance with Palram's written recommendations (Recommended Use: Hobby Gardening).
- Without derogating from the above, damage caused by use of force, incorrect handling, inappropriate use, neglectful use or assembly or maintenance, accidents, impact from foreign objects, vandalism, pollutants, alteration, painting, connecting, gluing, sealing not in accordance with the user's manual, or damage resulting from cleaning with incompatible detergents and minor deviations of the product are not covered by this warranty.
- This warranty does not apply to damage resulting from "force majeure", which includes but is not limited to, hail, storm, tornado, hurricane, blizzard, flood, fire effects.
- This warranty is void if structural parts and components used are not compatible with Palram's written recommendations.
- This Warranty applies only to the original purchaser of the product. It does not extend to any other purchaser or user of the product (including, but not limited to, any person who acquires the product from the original purchaser).
- Any other use for any other purpose is under user's sole responsibility. Palram disclaims and assumes no liability for any use not recommended by this warranty.

2. Claims and Notifications

- Every warranty claim must be notified in writing to Palram within 30 days after the discovery of the defective product, enclosing the original sales receipt and this warranty.
- The claimant must allow Palram to inspect the product involved and the installation site itself while the product is still in its original position and has not been removed or moved or altered in any way and/or return the product to Palram for testing.
- Palram reserves the right to investigate independently the cause of any failure.

3. Compensation

- If a claim under this Warranty is properly notified and approved by Palram, the purchaser, at Palram's option, may either (a) purchase a replacement product or part/s; or (b) receive refund of the original product or part/s purchase price, all in accordance with the following schedule:

Period After Purchasing	Replacement Product or Part/s	Refund
From date of purchase up to end of 1 st year	Free of charge	100%
End of 1 st Year up to end of 2 nd year	purchaser will pay 20% of the original purchase price	80%
End of 2 nd year up to end of 3 rd year	purchaser will pay 40% of the original purchase price	60%
End of 3 rd year up to end of 4 th year	purchaser will pay 60% of the original purchase price	40%
End of 4 th year up to end of 5 th year	purchaser will pay 80% of the original purchase price	20%

- For avoidance of any doubt, calculation for determination regarding compensation for defective part/s, according to the schedule above, will be based on the contribution of the defective part to the original cost of the product. Palram reserves the right to provide substitutions if the product or any part of it is unavailable or obsolete.
- This warranty does not cover any costs and expenses of removal and installation of the product or taxes or shipping cost or any other direct or indirect loss(es) which may result from the product failure.

4. General Conditions and Limitations

- OTHER THAN HAS BEEN SPECIFICALLY STATED IN THIS WARRANTY, ALL OTHER WARRANTIES, WHETHER EXPRESS OR IMPLIED, INCLUDING ALL IMPLIED WARRANTIES OF MERCHANTABILITY OR FITNESS FOR A PARTICULAR PURPOSE ARE EXCLUDED SO FAR AS THE LAW PERMITS.
- EXCEPT WHERE WE HAVE SPECIFICALLY STATED IN THIS WARRANTY, PALRAM SHALL NOT BE LIABLE FOR ANY LOSSES OR DAMAGES THE PURCHASER SUFFERS DIRECTLY, INDIRECTLY, OR AS A CONSEQUENCE OF USING, OR IN ANY OTHER WAY CONNECTED TO THE PRODUCT.
- IF PALRAM IS PROHIBITED UNDER ANY APPLICABLE LAW FROM EXCLUDING THE IMPLIED WARRANTIES OF MERCHANTABILITY OR FITNESS FOR A PARTICULAR PURPOSE IN RELATION TO THE PRODUCT, THE DURATION OF ALL SUCH IMPLIED WARRANTIES IS EXPRESSLY LIMITED TO THE DURATION OF THIS WARRANTY OR, IF LONGER, THE MAXIMUM PERIOD REQUIRED BY APPLICABLE LAW.
- THE PURCHASER IS SOLELY RESPONSIBLE FOR DETERMINING WHETHER THE HANDLING, STORAGE, ASSEMBLY, INSTALLATION OR USE OF THE PRODUCT IS SAFE AND APPROPRIATE IN ANY LOCATION, FOR ANY GIVEN APPLICATION OR IN ANY GIVEN CIRCUMSTANCE. PALRAM IS NOT RESPONSIBLE FOR ANY DAMAGES OR INJURY TO THE PURCHASER, ANY OTHER PERSON OR ANY PROPERTY RESULTING FROM THE IMPROPER HANDLING, STORAGE, INSTALLATION, ASSEMBLY OR USE OF THE PRODUCT OR THE FAILURE TO FOLLOW THE WRITTEN INSTRUCTIONS REGARDING THE HANDLING, STORAGE, INSTALLATION, ASSEMBLY AND USE OF THE PRODUCT.
- UNLESS OTHERWISE EXPRESSLY INDICATED BY PALRAM, THE PRODUCT IS INTENDED FOR NORMAL RESIDENTIAL AND COMMERCIAL USE ONLY. PALRAM IS NOT RESPONSIBLE FOR ANY LOSS, DAMAGE, COST OR EXPENSE RESULTING FROM ANY USE OF THE PRODUCT FOR ANY PURPOSE THAT IS NOT RECOMMENDED BY THE WRITTEN INSTRUCTIONS OR THAT IS NOT PERMITTED BY ANY APPLICABLE LEGISLATION OR OTHER CODES IN EFFECT IN THE LOCATION WHERE THE PURCHASER WILL USE THE PRODUCT.
- PLEASE NOTE:** ANCHORING THIS PRODUCT TO THE GROUND IS ESSENTIAL TO ITS STABILITY AND RIGIDITY. IT IS REQUIRED TO COMPLETE THIS STAGE IN ORDER FOR YOUR WARRANTY TO BE VALID.

Palram Applications (1995) Ltd (Firmennummer: 512106824) mit Sitz in Teradion Industrial Park, M.P Misgav 20174, Israel („Palram“) garantiert, dass das Produkt für einen Zeitraum von 5 Jahren ab dem Kaufdatum frei von Mängeln in Material und Verarbeitung wird, und den Definitionen, Begriffen und Bedingungen die in dieser Garantie enthalten sind unterliegt.

1. Bedingungen

- Diese Garantie ist nur gültig, wenn das Produkt in Übereinstimmung mit den schriftlichen Empfehlungen von Palram installiert, gereinigt, behandelt und gepflegt ist (Empfohlene Verwendung: Hobby Gärtnerei).
- Ohne Abweichung von oben genannten, Schäden, die durch Anwendung von Gewalt, unsachgemäße Behandlung, unsachgemäße Verwendung, nachlässige Nutzung, Montage oder Wartung, Unfälle, Auswirkungen von Fremdkörpern, Vandalismus, Verschmutzung, Veränderung, Malerei, Verbinden, Kleben und Dichten, nicht in Übereinstimmung mit der Bedienungsanleitung, verursacht werden, oder Schäden, die bei Reinigung mit inkompatiblen Reinigungsmitteln entstehen, so wie geringfügige Abweichungen des Produkts, werden durch diese Garantie nicht abgedeckt.
- Diese Garantie gilt nicht für Schäden, die durch „höhere Gewalt“ verursacht werden (beinhaltend aber nicht beschränkt auf: Hagel, Sturm, Tornado, Hurrikan, Schneesturm, Überschwemmungen, Feuer Auswirkungen).
- Diese Garantie erlischt, falls Bauteile und Komponente, die nicht mit den schriftlichen Empfehlungen von Palram kompatibel sind, verwendet werden.
- Diese Garantie gilt ausschließlich für den ursprünglichen Käufer des Produkts. Sie erweitert sich nicht auf keine anderen Käufer oder Benutzer des Produkts (einschließlich, aber nicht beschränkt auf irgendeine andere Person die das Produkt von den ursprünglichen Käufer erwirbt).
- Jede andere Verwendung, für einen anderen Zweck liegt in der alleinigen Verantwortung des Benutzers. Palram lehnt jede Haftung ab, die von dieser Garantie nicht gedeckt wird, bzw. übernimmt keine Haftung dafür.

2. Ansprüche und Mitteilungen

- Jeder Gewährleistungsanspruch muss Palram innerhalb von 30 Tagen nach Entdeckung des fehlerhaften Produkts schriftlich vorgelegt werden. Hierzu reichen Sie bitte auch den Original-Kaufbeleg und diese Garantie mit ein.
- Der Antragsteller muss Palram erlauben den betroffenen Produkt und den Aufstellungsort selbst zu überprüfen, während das Produkt noch in seiner ursprünglichen Position ist und nicht entfernt oder verschoben oder in irgendeiner Weise verändert wurde, und/oder den Produkt an Palram zum Testen zu senden.
- Palram behält sich das Recht vor die Fehlerursachen unabhängig zu untersuchen.

3. Entschädigung

- Ist ein Anspruch gemäß dieser Garantie ordnungsgemäß angemeldet und bei Palram genehmigt worden, kann der Käufer, nach eigenem Ermessen von Palram, entweder (a) ein Ersatzprodukt oder Teil/e erwerben; oder (b) eine Erstattung des ursprünglichen Produkt oder Teil/e Kaufpreises erhalten, alles in Übereinstimmung mit dem folgendem Schema:

Zeitraum nach Erwerbung	Ersatzprodukt bzw. Ersatzteil/e	Rückerstattung
Ab Kaufdatum bis zum Ende des 1. Jahr	Kostenlos	100%
Ende des 1. Jahr bis zum Ende des 2. Jahr	Käufer zahlt 20% des ursprünglichen Kaufpreises	80%
Ende des 2. Jahr bis zum Ende des 3. Jahr	Käufer zahlt 40% des ursprünglichen Kaufpreises	60%
Ende des 3. Jahr bis zum Ende des 4. Jahr	Käufer zahlt 60% des ursprünglichen Kaufpreises	40%
Ende des 4. Jahr bis zum Ende des 5. Jahr	Käufer zahlt 80% des ursprünglichen Kaufpreises	20%

- Um jegliche Zweifel auszuschließen, wird sich die Berechnung für die Bestimmung über Entschädigungen für defekte Teil/e, entsprechend der obigen Schema, auf dem Beitrag des defekten Teils an den ursprünglichen Kosten des Produktes beruhen. Palram behält sich das Recht vor für ein Ersatz zu sorgen, falls der Produkt oder ein Teil davon nicht verfügbar oder veraltet ist.
- Diese Garantie erstreckt sich nicht auf Kosten und Ausgaben für Aus- und Einbau des Produkts oder Steuern oder Versandkosten oder sonstige direkte oder indirekte Verlust/e die sich von einem Produktfehler ergeben können.
- Allgemeine Bedingungen und Einschränkungen**
- ANDERS ALS BESONDERS IN DIESER GARANTIE ANGEGBEN, ALLE ANDEREN GARANTIE, OB AUSDRÜCKLICH ODER IMPLIZIT, EINSCHLIESSLICH ALLER EINGESCHLOSSENEN GARANTIELEISTUNGEN DER MARKTGÄNGIGKEIT ODER EIGNUNG FÜR EINEN BESTIMMTEN ZWECK SIND SO WEIT DIES RECHTLICH MÖGLICH IST AUSGESCHLOSSEN.
- AUSSER ALS AUSDRÜCKLICH IN DIESER GARANTIE ANGEGBEN, HAFTET PALRAM NICHT FÜR IRGENDWELCHE VERLUSTE ODER SCHÄDEN DIE DER KÄUFER, DIREKT ODER INDIREKT ODER ALS FOLGE DER NUTZUNG ODER IN IRGENDWELCHEN ANDEREN MIT DEM PRODUKT VERBUNDENEN WEISE LEIDET.
- FALLS PALRAM EIN AUSSCHLUSS DER STILLSCHWEIGENDEN GARANTIE DER MARKTGÄNGIGKEIT ODER EIGNUNG FÜR EINEN BESTIMMTEN ZWECK IN BEZUG AUF DAS PRODUKT NACH GELTENDEM RECHT NICHT GESTATTET IST, WIRD DIE DAUER ALLER SOLCHEN GARANTIE AUSDRÜCKLICH AUF DIE DAUER DIESER GARANTIE BESCHRÄNKT, ODER FALLS LÄNGER, AUF DIE GESETZLICH VORGESCHRIEBENE HÖCHSTDAUER.
- DER KÄUFER IST ALLEIN DAFÜR VERANTWORTLICH FESTZUSTELLEN, OB DIE HANDHABUNG, LAGERUNG, MONTAGE, INSTALLATION ODER VERWENDUNG DES PRODUKTS AN BELIEBIGEN STANDORT UND FÜR JEDE GEGEBENE ANWENDUNG ODER SITUATION, SICHER UND ANGEMESSEN IST. PALRAM IST NICHT VERANTWORTLICH FÜR SCHÄDEN ODER VERLETZUNGEN DES KÄUFERS, ANDERER PERSONEN ODER DES EIGENTUMS, DIE IN FOLGE EINER UNSACHGEMÄSSEN HANDHABUNG, LAGERUNG, EINBAU, MONTAGE ODER NUTZUNG DES PRODUKTS ODER DURCH NICHTBEACHTUNG DER ANWEISUNGEN ZUR HANDHABUNG, LAGERUNG, EINBAU, MONTAGE UND NUTZUNG DES PRODUKTES ENTSTANDEN SIND.
- DIE WARE IST BESTIMMT AUSSCHLIESSLICH ZUR NORMALEN PERSÖNLICHEN UND KOMMERZIELLEN NUTZUNG, SOFERN NICHT AUSDRÜCKLICH ETWAS ANDERES DURCH PALRAM VEREINBART WURDE. PALRAM HAFTET NICHT FÜR VERLUSTE, SCHÄDEN, KOSTEN ODER AUSGABEN, DIE AUS EINER NICHT VON DEN ANWEISUNGEN EMPFOHLENEN VERWENDUNG DES PRODUKTS ZU IRGEND EINEM ZWECK ENTSTEHEN ODER DIE VON KEINEM GELTENDEN RECHTSVORSCHRIFTEN ODER ANDEREN CODES ERLAUBT SIND DIE AN DEM ORT WO DER KÄUFER DEN PRODUKT BENUTZEN WIRD IN KRAFT SIND.
- DIE VERANKERUNG DIESER PRODUKTS IM UNTERGRUND IST WESENTLICH KIR SEINE STABILITÄT UND FESTIGKEIT. SIE IST UNABLÄSSLICH, URN DIESEN ARBEITSSCHRITT ZU BEENDEN, DAMIT IHRE GARANTIE GÜLTIG BLEIBT.

Palram Applications (1995) Ltd (Compagnie n° 512106824) dont le siège social est adressé au Parc Industriel Teradion, M.P. Misgav 2017400, Israël ("Palram") garantit que le Produit n'a aucun défaut de matériel ou de manufacture pour une période de 5 ans à dater de la date d'acquisition, conformément aux définitions et conditions incluses dans cette garantie.

I. Garanties légales

1. Garantie de défaut caché

- Conformément à l'article 1641 du Code Civil, l'acheteur est en droit de mettre en œuvre la garantie pour vice caché dans un délai de 2 ans au plus tard à compter de la découverte du défaut.
- Afin de bénéficier de cette garantie contre les défauts cachés, l'acheteur doit fournir (i) une preuve d'achat, (ii) la preuve que le défaut du produit était caché et existant au moment de l'achat du produit, et (iii) qu'un tel défaut rend le produit impropre à l'usage auquel il est destiné ou qu'il altère tellement l'utilisation du produit que l'acheteur ne l'aurait pas acheté, ou aurait seulement payé un prix moindre pour cela, aurait il/ elle connu de tels défauts.
- Conformément à l'article 1644 du Code civil, l'acheteur a le choix entre retourner le produit aux frais de Palram et se faire rembourser le prix, ou garder le produit et se faire rembourser une partie du prix.

2. Garantie de conformité

- En application des articles L.217-4 et suivants, du Code de la consommation, le produit doit, au moment de la livraison, être conforme au contrat. Toute réclamation relative à un défaut de conformité du produit doit être présentée dans un délai de deux ans au plus tard à compter de la livraison du produit.
- Afin de bénéficier de cette garantie de conformité, l'acheteur doit fournir une preuve d'achat.
- En application de l'article L. 217-9 du Code de la consommation, en cas de défaut de conformité du produit, l'acheteur peut choisir entre la réparation et le remplacement du produit.. Palram peut néanmoins choisir de ne pas procéder conformément au choix de l'acheteur si ce choix entraîne un coût manifestement disproportionné par rapport à l'autre option, compte tenu de la valeur du produit ou de la gravité du défaut. Palram procéderait alors avec l'option non choisie par l'acheteur, à moins que cela s'avère impossible.
- Si aucune réparation ou remplacement du produit n'est possible, l'acheteur peut retourner le produit et obtenir le remboursement du prix ou garder le produit et obtenir le remboursement d'une partie du prix. La même option s'appliquerait également (i) si la solution demandée, proposée ou convenue conformément à l'article 1.3 ne peut être mise en œuvre dans le mois suivant la demande de l'acheteur, ou (ii) si cette solution ne peut être mise en œuvre sans inconvénient majeur pour l'acheteur compte tenu de la nature du produit et de son usage prévu.
La vente ne sera toutefois pas annulée si le défaut de conformité est mineur.
Ces garanties légales s'appliquent quelle que soit la garantie commerciale définie ci-dessous.

II. Garantie commerciale

1. Conditions

- Cette garantie ne sera valide que si le produit est installé, nettoyé, manipulé et entretenu conformément aux recommandations écrites de Palram (Utilisation recommandée: Jardinage amateur).
- Sans déroger de ce qui est susdit, tout dommage causé par usage de la force, une mauvaise manipulation, un usage inapproprié, une utilisation, un montage ou une maintenance négligente, des accidents, un impact avec d'autres objets étrangers, du vandalisme, des polluants, un dégât, une peinture, connexion, collage, scellage qui n'est pas conforme avec le manuel de l'utilisateur ou tout dommage résultant de son nettoyage avec un détergent incompatible et les moindres déviations du produit ne sont pas couverts par cette garantie.
- Cette garantie ne s'applique pas aux dommages résultant d'un acte de force majeure, qui comprend mais n'est pas limité par la grêle, la tempête, une tornade, un ouragan, un blizzard, une inondation ou les effets d'un incendie.
- Cette garantie est nulle si des parties de la structure et des composants ne sont pas compatibles avec les recommandations écrites par Palram.
- Cette garantie ne s'applique qu'à l'acheteur d'origine du produit. Elle ne s'étend pas à tout autre acquéreur ou utilisateur du produit (y compris mais non limité à toute personne qui acquerrait le produit de son acquéreur d'origine).
- Toute autre utilisation à d'autres fins est sous la seule responsabilité de l'utilisateur. Palram décline et n'assume aucune responsabilité pour toute utilisation non recommandée par cette garantie.

2. Réclamations et notifications

- Toute réclamation de garantie (autre que les garanties légales énoncées dans la section I. ci-dessus) doit être notifiée par écrit à Palram dans les 30 jours suivant la découverte du produit défectueux, en joignant le reçu original et cette garantie.
- Le demandeur doit permettre à Palram d'inspecter le produit impliqué et le site d'installation lorsque le produit est dans son emplacement d'origine et n'a pas été enlevé ou déplacé ni modifié de quelque façon et/ou envoyer le produit à Palram pour vérification (les taxes et frais de ports n'étant pas à la charge du client).
- Palram se réserve le droit d'enquêter indépendamment sur la cause de toute panne.

3. Compensation

- Si une réclamation sous cette Garantie est convenablement notifiée et approuvée par Palram, l'acheteur, au choix de Palram, peut soit (a) acquérir un Produit de remplacement ou les pièces détachées nécessaires; ou (b) recevoir un remboursement du prix d'achat du Produit d'origine:

Période depuis l'achat	Produit de remplacement ou partie	Remboursement
Jusqu'à un an après l'achat	Gratuit	100%
De la fin de la 1 ^{ère} année à la fin de la 2 ^{nde}	L'acquéreur paiera 20% du prix d'achat d'origine	80%
De la fin de la 2 ^{nde} année à la fin de la 3 ^{ème}	L'acquéreur paiera 40% du prix d'achat d'origine	60%
De la fin de la 3 ^{ème} année à la fin de la 4 ^{ème}	L'acquéreur paiera 60% du prix d'achat d'origine	40%
De la fin de la 4 ^{ème} année à la fin de la 5 ^{ème}	L'acquéreur paiera 80% du prix d'achat d'origine	20%

4. Conditions générales et limitations

- MIS A PART CE QUI A ETE SPECIFIQUEMENT INDIQUE DANS CETTE GARANTIE, TOUTES LES AUTRES GARANTIES, EXPRESSES OU SOUS-ENTENDUES, Y COMPRIS TOUTES LES GARANTIES SOUS-ENTENDUES DE VALEUR MARCHANDE OU D'ADAPTABILITE POUR UN OBJECTIF PARTICULIER SONT EXCLUES POUR AUTANT QUE LA LOI LE PERMET.
- MIS A PART LA OU NOUS L'AVONS SPECIFIQUEMENT DECLARE DANS CETTE GARANTIE, PALRAM N'EST PAS RESPONSABLE DE TOUTE PERTE OU DOMMAGE DONT L'ACQUEREUR SOUFFRIRAIT, DIRECTEMENT, INDIRECTEMENT OU EN CONSEQUENCE DE L'UTILISATION DU PRODUIT OU DE TOUTE AUTRE MANIERE LIEE AU PRODUIT.
- SI PALRAM N'A PAS LE DROIT SELON LA MOINDRE LOI APPLICABLE D'EXCLURE LES GARANTIES SOUS-ENTENDUES DE VALEUR MARCHANDE OU D'ADAPTABILITE A UNE FIN SPECIFIQUE EN RAPPORT AVEC LE PRODUIT, LA DUREE D'UNE TELLE GARANTIE EST EXPRESSEMENT LIMITEE A CELLE DE CETTE GARANTIE OU, SI ELLE EST PLUS LONGUE, A LA PERIODE MAXIMALE EXIGEE PAR LA LOI.
- L'ACHETEUR EST LE SEUL RESPONSABLE DANS LA DETERMINATION SI LA MANIPULATION, LE STOCKAGE, LE MONTAGE, L'INSTALLATION OU L'UTILISATION DU PRODUIT EST SURE ET APPROPRIEE POUR TOUT ENDROIT, POUR TOUTE APPLICATION DONNEE OU DANS TOUTE CIRCONSTANCE DONNEE. PALRAM N'EST PAS RESPONSABLE DE TOUT DOMMAGE OU BLESSURE CAUSE A L'ACHETEUR, TOUTE AUTRE PERSONNE OU BIEN RESULTANT D'UNE MANIPULATION, UN STOCKAGE, UNE INSTALLATION, UN MONTAGE OU UNE UTILISATION DU PRODUIT OU UN MANQUE A SUIVRE LES INSTRUCTIONS ECRITES CONCERNANT LA MANIPULATION, LE STOCKAGE, LE MONTAGE, L'INSTALLATION OU L'UTILISATION DU PRODUIT.
- SAUF DISPOSITION CONTRAIRE EXPRESSÉMENT INDIQUÉE PAR PALRAM, LE PRODUIT EST DESTINÉ UNIQUEMENT À DES USAGES RÉSIDENTIELS ET COMMERCIAUX NORMAUX. PALRAM N'EST PAS RESPONSABLE DE TOUTE PERTE, DOMMAGE, FRAIS OU DEPENSE RESULTANT D'UNE UTILISATION DU PRODUIT POUR TOUTE FIN QUI N'EST PAS RECOMMANDÉE PAR LES INSTRUCTIONS ECRITES OU QUI N'EST PAS PERMISE PAR LA MOINDRE LOI OU AUTRES CODES APPLICABLES DANS L'ENDROIT OU L'ACQUEREUR UTILISERAIT LE PRODUIT.
- CETTE ETAPE D'ANCRAGE DU PRODUIT AU SOL EST ESSENTIELLE A SA STABILITE ET A SA RIGIDITE, ELLE EST DE PLUS NECESSAIRE POUR ASSURER LA VALIDITE DE VOTRE GARANTIE..

<p>ES</p>	<div></div> <p>Garantía limitada de 5 años de PALRAM - CANOPIA Angaben zum Produkt: Canopia Invernaderos</p>
-----------	---

Palram Applications (1995) Ltd (Número de la compañía: 512106824) cuya oficina registrada se encuentra en Teradion Industrial Park, M.P Misgav 20174, Israel ("Palram") garantiza que el Producto no tendrá defectos de material o de fabricación durante un periodo de 5 años desde la fecha de compra original sujeto a las definiciones, términos y condiciones contenidos en esta garantía.

1. Condiciones

11 Esta garantía solo será válida si el Producto es instalado, limpiado, manipulado y mantenido de acuerdo a las recomendaciones por escrito de Palram (Uso recomendado: jardinería privada).

12 Sin derogar lo anterior, los daños causados por el uso de la fuerza, manipulación incorrecta, uso inapropiado, uso o montaje o mantenimiento negligentes, accidentes, impacto de objetos extraños, vandalismo, contaminantes, alteración, pintado, conexión, pegado, sellado no de acuerdo al manual del usuario, o daños resultantes de la limpieza con detergentes incompatibles y desviaciones menores del Producto no están cubiertos por esta garantía.

13 Esta garantía no se aplica a daños resultantes de “fuerza mayor”, que incluye entre otros, granizo, tormenta, tornado, huracán, ventisca, inundación, efectos del fuego.

14 Esta garantía es nula si los componentes o piezas estructurales utilizados no son compatibles con las recomendaciones escritas de Palram.

15 Esta garantía se aplica solamente al comprador normal del Producto. No se extiende a cualquier otro comprador o usuario del Producto (incluyendo, entre otros, cualquier persona que adquiera el Producto desde el comprador original).

16 La utilización para cualquier otro fin es de la exclusiva responsabilidad del usuario. Palram rechaza y no asume ninguna responsabilidad por cualquier uso que no esté contemplado en esta garantía.

2. Reclamaciones y notificaciones

21 Toda reclamación de la garantía debe ser notificada por escrito a Palram lo antes que sea posible razonablemente después de descubrir el Producto defectuoso, adjuntando el tique de venta original y esta garantía.

22 El reclamante debe permitir a Palram inspeccionar el Producto pertinente y el sitio de la instalación en sí mismo mientras el Producto está todavía en su posición original y no se ha retirado ni movido o alterado de ningún modo y/o devolver el Producto a Palram para evaluarlo.

23 Palram se reserva el derecho a investigar la causa de cualquier fallo de forma independiente.

3. Compensación

31 Si una reclamación bajo esta Garantía se notifica apropiadamente y es aprobada por Palram, el comprador, según considere Palram, puede o bien (a) comprar un Producto o piezas de recambio; o (b) recibir el reembolso del precio de compra del Producto o la pieza o piezas, todo de acuerdo al siguiente calendario:

El periodo tras la compra	Reembolso del Producto o Pieza /s	Recambio Según
Desde la fecha de compra hasta el final del primer año	Sin costes	100%
Fin del 1.er año hasta el final del 2.º año	El comprador pagará el 20 % del precio original de compra	80%
Fin del 2.º año hasta el final del 3.er año	El comprador pagará el 40 % del precio original de compra	60%
Fin del 3.er año hasta el final del 4.º año	El comprador pagará el 60 % del precio original de compra	40%
Fin del 4.º año hasta el final del 5.º año	El comprador pagará el 80 % del precio original de compra	20%

32 Para evitar cualquier duda, el cálculo de la determinación de la compensación por piezas defectuosas, según el calendario de arriba, se basará en la contribución de la pieza defectuosa al coste original del Producto. Palram se reserva el derecho de proporcionar sustituciones si el Producto o cualquier pieza del mismo no está disponible o es obsoleta.

33 Esta garantía no cubre ningún coste ni gasto de la retirada e instalación del Producto o impuestos o gastos de envío ni cualquier otra pérdidaa directa o indirecta que pueda resultar del defecto del Producto.

4. Condiciones generales y limitaciones

41 APARTE DE LO QUE SE HA AFIRMADO ESPECÍFICAMENTE EN ESTA GARANTÍA, TODAS LAS DEMÁS GARANTÍAS, TANTO EXPRESAS COMO IMPLÍCITAS, INCLUYENDO TODAS LAS GARANTÍAS IMPLÍCITAS DE COMERCIABILIDAD O IDONEIDAD PARA UN PROPÓSITO EN PARTICULAR SE EXCLUYEN EN LA EXTENSIÓN EN QUE LO PERMITA LA LEY.

42 EXCEPTO DONDE LO HAYAMOS DECLARADO ESPECÍFICAMENTE EN ESTA GARANTÍA, PALRAM NO SERÁ RESPONSABLE DE CUALQUIER PÉRDIDA O DAÑOS QUE SUFRA EL COMPRADOR DIRECTAMENTE, INDIRECTAMENTE O COMO CONSECUENCIA DE UTILIZAR EL PRODUCTO O EN CONEXIÓN DE CUALQUIER MODO CON EL MISMO.

43 SI SE PROHÍBE A PALRAM, BAJO CUALQUIER LEY APLICABLE, EXCLUIR LAS GARANTÍAS IMPLÍCIAS DE COMERCIABILIDAD O IDONEIDAD PARA UN PROPÓSITO EN PARTICULAR CON RELACIÓN AL PRODUCTO, LA DURACIÓN DE DICHAS GARANTÍAS IMPLÍCITAS SE LIMITA EXPRESAMENTE A LA DURACIÓN DE ESTA GARANTÍA, O SI ES MÁS TIEMPO, EL PERIODO MÁXIMO REQUERIDO POR LA LEY APLICABLE.

44 EL COMPRADOR ES RESPONSABLE ÚNICAMENTE DE DETERMINAR SI LA MANIPULACIÓN, ALMACENAMIENTO, MONTAJE, INSTALACIÓN O USO DEL PRODUCTO ES SEGURO Y APROPIADO EN CUALQUIER UBICACIÓN, PARA CUALQUIER APLICACIÓN DADA O EN CUALQUIER CIRCUNSTANCIA DADA. PALRAM NO ES RESPONSABLE POR CUALQUIER DAÑO O LESIÓN DEL COMPRADOR, CUALQUIER OTRA PERSONA O CUALQUIER PROPIEDAD QUE RESULTE DE LA MANIPULACIÓN, ALMACENAMIENTO, INSTALACIÓN, MONTAJE O USO INADECUADOS DEL PRODUCTO O NO SEGUIR LAS INSTRUCCIONES ESCRITAS ACERCA DE LA MANIPULACIÓN, ALMACENAMIENTO, INSTALACIÓN, MONTAJE Y USO DEL PRODUCTO.

45 A MENOS QUE SE INDIQUE EXPRESAMENTE LO CONTRARIO POR PALRAM, EL PRODUCTO ESTÁ PREVISTO SOLO PARA USO RESIDENCIAL Y COMERCIAL. PALRAM NO ES RESPONSABLE POR NINGUNA PÉRDIDA, DAÑO, COSTE O GASTO RESULTANTE DE CUALQUIER USO DEL PRODUCTO PARA CUALQUIER PROPÓSITO QUE NO ESTÉ RECOMENDADO POR LAS INSTRUCCIONES ESCRITAS O QUE NO ESTÉ PERMITIDO POR CUALQUIER LEGISLACIÓN APLICABLE U OTROS CÓDIGOS EN VIGOR EN LA UBICACIÓN DONDE USARÁ EL PRODUCTO EL COMPRADOR.

46 ANCLAR ESTE PRODUCTO AL SUELO ES ESENCIAL PARA SU ESTABILIDAD Y RIGIDEZ. ES NECESARIO COMPLETAR ESTA FASE PARA QUE SU GARANTIA SEA VALIDA.

<p>HE</p>	<div></div> <p>אחריות מוגבלת ל-5 שנים של PALRAM - CANOPIA מוצר: חממות CANOPIA</p>
-----------	--

פלרם אפליקציות (1995) בע"מ (פ. 512106824), אשר משרדה נמצאים בפקאר תעשיות תרדיון, ד.ו. 2017400, ישראל ("פלרם") תהא אחראית לטיפול בפגמים בלתי צפויים שמקורם בחומרים ובטיב העבודה למשך 5 שנים מתאריך הרכישה המקורי, בכפוף להגדרות, התנאים וההתניות הכלולים בכתב אחריות זה. פלרם שומרת לעצמה הזכות לשנות את מגוון המוצרים שברשותה, או חלקי החילוף שלהם, או להוציאם מהמגוון.

תנאים

- אחריות זו תהא תקפה רק אם המוצר התוקן, מנוקה, מטופל ומתוחזק בהתאם להמלצות הכתובות של פלרם (שימוש מומלץ: חממת גינון).
- בלי לפגוע או להפחית מערך האמור לעיל, נזק אשר נגרם עקב שימוש בכוז, טיפול שגוי, שימוש שאינו הולם, שימוש, הרכבה, או תחזוקה רשלניים, תאונות, מכה מעצמים זרים, ונדלזים, חומרים מזהמים, שינוי, צביעה, חיבור, הדבקה או נזק אשר נגרם עקב ניקוי באמצעות חומרי ניקוי שאינם מתאימים, וסטיית קטנות במוצר, אינם מוכסים על ידי כתב אחריות זה.

למען הסר ספק, האחריות כפופה לתנאים הבאים:

- הפגם לא נגרם כתוצאה משימוש שאינו הולם או משימוש, הרכבה או תחזוקה רשלניים, תאונות או מכה מעצמים זרים.
- הפגם לא נגרם בודון או ברשלנות חמורה.
- השימוש במוצר או בחלקיו היה סביר ורגיל ונעשה בהתאם להוראות פלרם.
- הפגם אינו נובע מבלאי סביר עקב שימוש רגיל
- לא נעשה ניסיון לתיקון הפגם על ידי גורם כלשהו מלבד נציג מוסמך מטעם פלרם או בהתאם להוראות פלרם.
- הפגם לא נגרם כתוצאה משימוש בחומר לא מתאים, חומר מזרחם, צביעה, הדבקה, נזק שנגרם כתוצאה משימוש בחומרי ניקוי שאינם מתאימים.
- במוצרים להרכבה עצמית - הפגם לא נגרם במהלך הרכבת המוצר או כתוצאה מהרכבה לא נכונה.
- הפגם לא נגרם במהלך הובלה עצמית של המוצר.
- הפגם לא נגרם כתוצאה משינוי שנעשה במוצר.
- הפגם אינו נגרם כתוצאה ממוח עליון לרבות אך לא רק סופות רוח, ברד, טורנדו, הוריקן, סופות שלג, הצפות, שריפות ונזקי שמש

אחריות זו בטלה אם רכיבים וחלקים קונסטרוקטיביים כלשהם שנעשה בהם שימוש אינם תואמים את המלצות הכתובות של פלרם.

כתב אחריות זה חל רק על הקונה המקורי של המוצר. הוא אינו עובר אל קונים או משתמשים אחרים במוצר (לרבות אך לא מוגבל לכל אדם אשר רוכש או מקבל את המוצר לרשותו מידי הקונה המקורי).

פלרם אינה אחראית לכל שימוש אחר שאינו מוגדר באחריות זו.

2. תביעות והודעות

2.1 יש להודיע בכתב על כל פנייה במסגרת כתב האחריות תוך 30 יום ממועד גילוי הפגם במוצר, בצירוף קבלת הרכישה המקורית וכתב אחריות זה ("להלן: "פנייה במסגרת כתב האחריות").

2.2 החובע חייב לאפשר לפלרם לבדוק את המוצר האמור ואת אתר ההתקנה עצמו כאשר המוצר נמצא עדיין במיקומו המקורי, ולא הוסר או הוזז ממקומו או שונה באופן כלשהו, ו/או להחזיר את המוצר לפלרם לצורך בדיקתו.

2.3 פלרם שומרת לעצמה את הזכות לתקור באופן עצמאי את הגורם לכל כשל או תקלה.

3. תשלום

3.1 אם פנייה במסגרת כתב האחריות נמסרה כהלכה לפלרם ואשרה על ידה, הקונה רשאי, לפי בחירת פלרם, (א) לרכוש מוצר חלופי או חלפים, או (ב) לקבל החזר תמורת המוצר המקורי או מחיר הקנייה של החלפים, וכל זאת בהתאם לאמור בפירוט הבא:

תקופה שלאחר הרכישה	מוצר חלופי או חלפים	החזר
מתאריך הרכישה ועד לסוף השנה הראשונה	בחינם (ללא עלות)	100%
מסוף השנה הראשונה ועד לסוף השנה השנייה	הקונה ישלם 20% ממחיר הרכישה המקורי	80%
מסוף השנה השנייה ועד לסוף השנה השלישית	הקונה ישלם 40% ממחיר הרכישה המקורי	60%
מסוף השנה השלישית ועד לסוף השנה הרביעית	הקונה ישלם 60% ממחיר הרכישה המקורי	40%
מסוף השנה הרביעית ועד לסוף השנה החמישית	הקונה ישלם 80% ממחיר הרכישה המקורי	20%

3.2 למען הסר ספק, החישוב לקביעת התשלום המגיע לקונה תמורת חלקים פגומים, בהתאם לפירוט שצוין לעיל, יתבסס על חלקו של החלק הפגום בעלות המקורית של המוצר. פלרם שומרת לעצמה את הזכות לספק תחלופים במקרה שהמוצר או חלק כלשהו ממנו אינם זמינים או מיושגים.

3.3 כתב אחריות זה אינו מכסה עלויות הוצאות כלשהן עקב הסרה והתקנה של המוצר, וכן מסים ועלויות משלוח או כל הפסד ישיר או עקיף אשר עשוי להיגרם עקב הפשל או התקלה במוצר.

4. תנאים כלליים והגבלות

4.1 פרט למה שצוין במפורש בכתב אחריות זה, כל ההתחייבויות האחרות, בין אם מפורשות ובין אם משתמעות, לרבות כל ההתחייבויות המשתמעות לסחירת או התאמה לשימוש ספציפי, אינן כלולות בכתב אחריות זה ככל שמתיר החוק.

4.2 למעט היכן שציינו זאת במפורש בכתב אחריות זה, פלרם לא תישא באחריות להפסדים או נזקים כלשהם לקונה, בין אם ישירים, בין אם עקיפים ובין אם כתוצאה מהשימוש במוצר, ובכל אופן אחר שקשור למוצר.

4.3 אם החוק החל אוסר על פלרם לשלול התחייבות משתמעת לסחירת או התאמה לשימוש ספציפי הנוגעות למוצר, משך ההתחייבות המשתמעת האמורה יוגבל באופן מפורש למשך האחריות המוגדר בכתב אחריות זה, או אם הוא ארוך יותר, למשך התקופה המרבית הנדרשת על פי חוק.

4.4 הקונה נושא באחריות בעדית ליציבוע הטיפול, האחסון, ההרכבה, ההתקנה והשימוש במוצר באופן בטוח והולם בכל מיקום שהוא, עבור כל יישום נתון ובכל נסיבה נתונה. פלרם אינה נושאת באחריות לנזקים כלשהם או פגיעה כלשהי לקונה, לאדם אחר כלשהו ולרכוש כלשהו, אשר נגרמו עקב טיפול, אחסון, התקנה, הרכבה ושימוש שאינם הולמים, וכן מאי ביצוע ההוראות הכתובות בנוגע לטיפול, אחסון, התקנה, הרכבה ושימוש במוצר.

4.5 אלא אם כן צוין אחרת באופן מפורש על ידי פלרם, המוצר מיועד לשימוש ביתי ומסחרי רגיל בלבד. פלרם לא תישא באחריות להפסד, נזק, עלות או הוצאה כלשהם אשר נגרמו עקב שימוש כלשהו במוצר למטרה שאינה מומלצת על ידי ההוראות הכתובות, או למטרה שאסורה על פי חוק או דין ישים כלשהו אשר תקפים במיקום בו הקונה מתכוון להשתמש במוצר.

4.6 עיגון המוצר לקרקע חיוני ליציבות ועמידותו. חוקף אחריות המוצר תלוי בהשלמת העיגון לקרקע.

Palram Applications (1995) Ltd (Bolagsnummer: 512106824) vars registrerade huvudkontor har adressen: Teradion Industrial Park, M.P Misgav 20174, Israel ("Palram") garanterer att produkten är felfri avseende material och bearbejning under en periode av 5 år från innkjpsdagen i enlighet med definitionerna og villkoren i denna garanti.

1. Villkor

1.1 Denna garanti gæller endast produkter som installerats, skøtts, underhållts og hållts rena enligt anvisningarna i Palrams handbok (Rekommenderad anvændning: trædgårdsskøtsel).

1.2 Ovan nämnda garanti gæller inte vid skador till följd av alltför kraftig anvændning, fel eller olæmplig anvændning, vårdsløs installering, vårdsløst bruk eller underhåll, missøden, skador som främmande föremål gett upphov till, skadegørelse, smuts, förænderingar, målning, fogar, limning, tejpning, olæmpliga tætningar eller skador som uppkommit på grund av olæmpliga rengøringsmedel. Små avvikelser omfattas inte av garantin.

1.3 Garantin tæcker inte naturfenomen eller skador orsakade av dessa, såsom hagel, tung snø, storm, virvelvindar, orkaner, blixtar, vind eller översvämningar.

1.4 Garantin gæller inte om man för växuset anvænder olæmpliga byggsatser eller komponenter som inte rekommenderas av tillverkaren (Palram).

1.5 Garantin gæller endast den ursprungliga köparen/mottagaren. Garantin kan inte överföras till följande ägare eller en annan anvændare. taikka seuraaville omistajille.

1.6 All annan anvændning för några andra syften vilar helt på anvændarens ansvar. Palram frænsåger sig allt ansvar för all annan anvændning ån vad som rekommenderas i denna garanti.

2. Reklamationer og anmælingar

2.1 Varje garantianspråk måste underrättas skriftligen till Palram inom 30 dagar efter upptækten av en defekt produkt, innehållande originalkvittot för försæljningen og den här garantin.

2.2 Kæranden (den som gjort reklamationen) ska låta tillverkaren/tillverkarens fòretrådare granska den felaktiga produkten på produktens ursprungliga plats i det skick som den är efter skadan. Produktén får inte ændras, repareras, flyttas eller skickas till tillverkaren/fòretrådaren innan tillstånd för detta har getts.

2.3 Tillverkaren (Palram) förbehåller sig rættén att självstændigt undersøka orsaken till felet.

3. Ersættning

3.1 När reklamationen har anmælt enligt villkoren i garantin og godkænts av Palram har köparen (kæranden) rætt å få nya delar eller en ny produkt eller en ersættning som står i proportion till skadan og anskaffningspriset enligt följande tabell:

Tid sedan anskaffning	Ersættande produkt/del	Ersættning
1 år sedan anskaffning	Utan avgift	100%
1 => 2 år sedan anskaffning	Sjælvrisk andel 20 %	80%
2 => 3 år sedan anskaffning	Sjælvrisk andel 40 %	60%
3 => 4 år sedan anskaffning	Sjælvrisk andel 60 %	40%
4 => 5 år sedan anskaffning	Sjælvrisk andel 80 %	20%

3.2 För att undvika alla misstankar, felkalkyleringar eller missförstånd vad gæller ersættning, beræknas den i tabellen framstællda ersættningen alltid enligt den andel som den felaktiga/skadade delen utgør av hela produktens anskaffningspris. Tillverkaren förbehåller sig rættén att leverera en ersættande produkt/produkt-del om originaldelar inte længre är tillgængliga eller om delarna eller produkterna är föråldrade.

3.3 Garantin ersætter inte utgifter som orsakats av installering, nedmontering, flyttning eller reparation av produkten og inte heller utgifter som orsakats av direkta eller indirekta utgifter og förluster för att produkten haft fel eller skador, tex. skatter, flyttningsavgifter, leverans- og sændningsavgifter.

4. Allmänna villkor og begrænsningar

4.1 UTÖVER VAD SOM UTTRYCKLIGEN NÄMNS I DENNA GARANTI ÅR ALLA ÖVRIGA GARANTIERS ALLMÆNT BINDANDE VERKAN DIREKT ELLER INDIREKT GÆLLANDE ALLMÆN ELLER SÆRSKILD TILLÆMPNING UTESLUTNA INOM LAGENS RAMAR.

4.2 MED UNDANTAG AV VAD SOM NÄMNS I DESSA GARANTIVILLKOR, ANSVARAR TILLVERKAREN INTE FÖR DE FÖRLUSTER ELLER SKADOR SOM KÖPAREN ELLER ANVÆNDAREN AV PRODUKTEN DIREKT ELLER INDIREKT ELLER TILL FÖLJD AV ANVÆNDNINGEN AV ELLER KONTAKTEN MED PRODUKTEN DRABBAS AV.

4.3 OM TILLVERKAREN ENLIGT LOKAL LAGSTIFTNING ELLER UTFRÆN KONSUMENTSKYDDETS REKOMMENDATIONER NEKATS ATT INNEHÅLLA ERSÆTTNINGAR, TILLÆMPAS MED TANKE PÅ GARANTIER OM ALLMÆN ELLER SÆRSKILD TILLÆMPNING, GARANTIERNAS GILTIGHETSTID ENLIGT LOKAL LAGSTIFTNING PÅ PRODUKTEN.

4.4 KÖPAREN ÅR ENSAM ANSVARIG FÖR ATT PRODUKTEN HANTERAS, FÖRVARAS OG MONTERAS ÅNDAMÆLSENLIGT SAMT FÖR ATT DEN PLACERAS PÅ ETT TRYGGT SÆTT. PALRAM ÅR INTE ANSVARIG FÖR NÆGRA MISSØDEN ELLER SKADOR SOM ORSAKAS KÖPAREN, ANNAN PERSON ELLER PART ELLER DERAS EGENDOM OM DE BEROR PÅ ATT PRODUKTEN HANTERATS, FÖRVARATS, INSTALLERATS, MONTERATS PÅ FEL SÆTT ELLER PÅ GRUND AV ATT PRODUKTEN ANVÆNTS PÅ FEL SÆTT ELLER ATT ANVISNINGARNA INTE IAKTTAGITS.

4.5 OM INGET ANNAT UTTRYCKLIGEN HAR ANGIVITS AV PALRAM ÅR PRODUKTEN ENDAST AVSEDD FÖR NORMAL ANVÆNDNING I HEMMET OG NORMAL KOMMERSIELL ANVÆNDNING. OM ANVÆNDNINGEN AV PRODUKTEN ENLIGT LOKAL LAGSTIFTNING ELLER ANDRA BESTÆMMELSER PÅ DEN PLATS DÆR KÖPAREN ANVÆNDER PRODUKTEN INTE ÅR TILLÆTEN, ANSVARAR PALRAM INTE FÖR NÆGRA FÖRLUSTER, OLYCKSHÆNDELSE, KOSTNADER ELLER UTGIFTER SOM BEROR PÅ ATT PRODUKTEN ANVÆNTS PÅ FEL SÆTT, OBEROENDE AV FÖR VILKET ÅNDAMÆL PRODUKTEN ANVÆNTS.

4.6 FÖRANKRING AV DENNA PRODUKT PÅ MARKEN ÅR NODVÆNDIGT FÖR STABILITET OG STYVHET. DET ÅR NODVÆNDIGT ATT SLUTFÖRA DET HÆR STEGET FÖR ATT DIN GARANTI SKA GÆLLA.

Palram Applications (1995) Ltd (Selskapsnummer: 512106824) med hovedkontor i Teradion Industrial Park, M.P Misgav 20174, Israel ("Palram") garanterer at Produktet vil være fri for mangler i materiale eller utførelse i en periode på 5 år fra originalen Kjøpsdato underlagt definisjonene, vilkårene og betingelsene i denne garantien.

1. Betingelser

1.1 Denne garantien gjelder kun hvis produktet er installert, rengjort, håndtert og vedlikeholdt i samsvar med Palrams skriftlige anbefalinger (Anbefalt bruk: Hobby hagearbeid).

1.2 Uten unntak fra ovenstående skal skader forårsaket av bruk av kraft, feilaktig håndtering, u hensigtsmessig bruk, forsømmelig bruk eller montering eller vedlikehold, ulykker, innvirkning fra fremmedlegemer, hærverk, forurensninger, endring, maling, tilkobling, liming, forsegling ikke i samsvar med brukermanualen, eller skade som skyldes rengjøring med inkompatible vaskemidler og mindre avvik fra produktet, er ikke dekket av denne garantien.

1.3 Denne garantien gjelder ikke for skade som skyldes "force majeure", som inkluderer, men er ikke begrenset til, hagl, storm, tornado, orkan, snøstorm, flom, brannvirkninger.

1.4 Denne garantien er ugyldig dersom strukturelle deler og komponenter ikke er kompatible med Palrams skriftlige anbefalinger.

1.5 Denne garantien gjelder bare for den opprinnelige kjøperen av produktet. Det strekker seg ikke til noen annen kjøper eller bruker av produktet (inkludert, men ikke begrenset til, noen som kjøper produktet fra den opprinnelige kjøperen).

1.6 Enhver annen bruk til andre formål er på brukerens eget ansvar.

Palram fraskriver seg og påtar seg intet ansvar for bruk anbefales ikke av denne garantien.

2. Krav og varsler

2.1 Hvert garantibevis må bli meldt skriftlig til Palram innen 30 dager etter oppdagelsen av det defekte produktet, vedlagt det originale salgskvitteringen og denne garantien.

2.2 Saksøkeren må tillate Palram å inspisere produktet og selve installasjonsstedet mens produktet fortsatt er i sin opprinnelige posisjon og ikke er fjernet eller flyttet eller endret på noen måte og / eller returnert produktet til Palram for testing.

2.3 Palram forbeholder seg retten til å undersøke uavhengig årsaken til feil.

3. Kompensasjon

3.1 Hvis et krav i henhold til denne garantien er korrekt anmeldt og godkjent av Palram, kan kjøperen ved Palrams valg enten (a) kjøpe et erstatningsprodukt eller deler / s; eller (b) motta tilbakebetaling av originalproduktets eller delens kjøpskurs, alt i samsvar med følgende tidsplan:

Periode etter innkjøp	Erstatningsprodukt eller del / s	Refusjon
Fra kjøpsdato fram til slutten av 1. år	Gratis	100%
Slutten av 1. år til slutten av 2. år	Kjøperen betaler 20% av den opprinnelige kjøpesummen	80%
Slutten av 2. år til slutten av 3. år	Kjøperen betaler 40% av den opprinnelige kjøpesummen	60%
Slutten av 3. år til slutten av 4. år	Kjøperen betaler 60% av den opprinnelige kjøpesummen	40%
Slutten av 4. år til slutten av 5. år	Kjøperen betaler 80% av den opprinnelige kjøpesummen	20%

3.2 For å unngå tvil, vil beregning for bestemmelse om kompensasjon for defekte del / s, i henhold til oversikten ovenfor, være basert på den defekte delens bidrag til den opprinnelige prisen på produktet. Palram forbeholder seg retten til å yte erstatning dersom produktet eller deler av det er utlignelig eller utelatt.

3.3 Denne garantien dekker ikke eventuelle kostnader og kostnader ved fjerning og installasjon av produktet eller skatter eller fraktkostnader eller andre direkte eller indirekte tap som kan skyldes produktsvikt.

4. Generelle vilkår og begrensninger

4.1 ANDRE, DER ER SPEIELLT STILT I DENNE GARANTIEN, ER ALLE ANDRE GARANTIER, UTTRYKkelig ELLER UNDERFORSTÆTET, INKLUDERT ALLE UNDERFORSTÆTE GARANTIER OM SALGBARHET ELLER EGNETHET FOR ET PRAKTISK FORMÆL, UTTRYKket SOM LOVGIVNINGEN GJELDER.

4.2 BORTSETT FRA HVOR VI SPESIFIKT HAR ANGITT DENNE GARANTIEN, ER PALRAM IKKE ANSVARLIG FOR NOEN TAP, ELLER SKADER SOM KJØPER SIKKER DIREKTE, INDIREKTE ELLER SOM FØLGENDE ANVENDELSE ELLER PÅ EN ANNEN MÆDE SOM ER TILKNYTTET TIL PRODUKTET.

4.3 HVIS PALRAM ER FORBUDT I HENHOLD TIL EN GJELDENDE LOV UTTRYKkelig DE UNDERFORSTÆTE GARANTIER OM SALGBARHET ELLER EGNETHET FOR ET BESTEMT FORMÆL I FORBINDELSE MED PRODUKTET, ER VARIGHETEN FOR ALLE DENNE UNDERFORSTÆTE GARANTIER UTTRYKkelig BEGRENSET TIL VARIGHETEN AV DENNE GARANTIEN ELLER LANGERE MAXIMUM PERIOD KRAVET AV GJELDENDE LOVGIVNING.

4.4 KJØPEREN ER LIKT ANSVARLIG FOR Å BESTEMME OM HÆNDTERING, OPPBEVARING, MONTERING, INSTALLASJON ELLER BRUK AV PRODUKTET ER SIKKER OG TILGJENGELIG PÅ NOEN Plassering, FOR ANSVARLIG ANSØkning ELLER I NOGEN ØMSTENDIGHET. PALRAM ER IKKE ANSVARLIG FOR NOEN SKADER ELLER SKADE TIL KJØPEREN, ANDRE PERSONER ELLER ENHETER EIENDOM SOM OPPFYLLES FRA DEN UBEGRENSEDE HÆNDTERING, OPPBEVARING, INSTALLASJON, MONTERING ELLER BRUK AV PRODUKTET ELLER MANGLINGEN TIL Å FØLGE SKRIFTLIGE INSTRUKSJONER VEDRØRENDE HÆNDTERING, OPPBEVARING, INSTALLASJON , MONTERING OG BRUK AV PRODUKTET.

4.5 MED UNDERSØKELSE AV PALRAM, UTTRYKkelig ANVIST, PRODUKTEN ER BEGRENSET TIL KUN FOR NORMAL BEGIVELSE OG KOMMERSIELL BRUK. PALRAM ER IKKE ANSVARLIG FOR NOEN TAP, SKADER, KOSTNAD ELLER UTGIFTER SOM FØLGE AV EN ANVENDELSE AV PRODUKTET FOR NOGT FORMÆL SOM IKKE ER ANBEFALT AV DE SKRIFTLIGE INSTRUKSJONENE, ELLER DET ER IKKE GJELDET VED ANSVARLIG

4.6 **VENNligST MERK:** FØRANKRING AV DETTE PRODUKTET TIL GRUNNEN ER VIKTIG FOR STABILITET OG RIGIDITET. DET KREVES Å FULLFØRE DETTE TRINNET FOR AT DIN GARANTI SKAL VÆRE GYLDIG.

Palram Applications (1995) Ltd (yhtiön rek.nro 512106824) jonka päätoimipiste toimii osoitteessa Teradion Industrial Park, M.P Misgav 20174, Israel. Palram takeita, että se valmistamissa tuotteissa ei sisälly virheitä materiaali- tai valmistusvirheitä, ja seuraavan 5 vuoden aikana alkuperäisestä ostopäivästä, joita on raportoitu osuuteissa.

1. Olosuhtet

1.1 Tämä takuu on voimassa vain tuotteelle joka on ohjeen mukaisesti asennettu, hoidettu & ylläpidetty sekä pidetty puhtaana Palramin ohjekirjassa antamien ohjeiden mukaisesti (Suositeltu käyttö: Puutarhanhoitoharrastus).

1.2 Poikkeamatta edellä mainitusta, vauriot jotka ovat syntyneet liiallisesta voiman käytöstä , väärástä tai sopimattomasta käytöstä , huolimattomasta asennuksesta , käytöstä tai ylläpidosta , vahingoista , vieraiden esineiden kolhuista , ilkivallasta epäpuhtauksista , muutoksista , maalauksista , liitoksista , liimauksista , teippauksista , sopimattomista tiivistyksistä tai vaurioista jotka ovat syntyneet yhteensopimattomista puhdistusaineista. Pienet poikkeamat eivät kuulu tämän takuun piiriin.

1.3 Tämä takuu ei kata luonnonilmiöitä taikka niistä syntyneitä vaurioita kuten rakeet , raskas lumi, myrsky , pyörremyrsky , hirmumyrsky, salamät ,tuli taikka tulva.

1.4 Tämä takuu on mitätön mikäli kasvihuoneen kanssa käytetään yhteensopimattomia rakenneosia taikka komponentteja jotka eivät ole vakmistajan (Palram) suosituksen mukaisia.

1.5 Tämä takuu on ainoastaan voimassa alkuperäiselle ostajalle / saajalle. Se ei ole jatkettavissa tai siirrettävissä toisille käyttäjille taikka seuraaville omistajille.

1.6 Kaikki muu käyttö muihin tarkoituksiin on käyttäjän yksinomaisella vastuulla.Palram ei ole vastuussa mistään käytöstä, jota ei suositella tässä takuussa

2. Reklamaatiot ja ilmoitukset

2.1 Kaikki takuuvaatimukset on tehtävä kirjallisesti Palramille 30 päivän sisällä viallisen tuotteen huomaamisesta, ja mukaan on liitettävä alkuperäinen ostokuitti ja tämä takuu.

2.2 Kantajan (reklamaation tehnyt) tulee sallia valmistajan / valmistajan edustajan tarkistaa vioittunut tuote sen alkuperäisessä Sijainnissa siinä kunnossa kuin se on vaurion sattumisen jälkeen. Tuotetta ei saa muunnella , korjata , siirtää taikka lähettää valmistajalle / edustajalle ennen siihen saatua lupaa.

2.3 Valmistaja (Palram) varaa oikeuden saada itsenäisesti tutkia vian syy.

3. Korvaus

3.1 Mikäli reklamaatio on takuun mukaisesti ilmoitettu ja hyväksytty Palramilta, on ostaja (kantaja) oikeutettu joko korvaaviin osiin / tuotteeseen taikka hyvitykseen joka on suhteessa vahinkoon & hankintahintaan seuraavan taulukon mukaisesti:

Aikaa hankinnasta	Korvaava tuote ja / tai osa	Korvaus
1 vuosi hankinnasta	Veloituksetta	100 %
1 => 2 ´teen vuoteen hankinnasta	Omavastuu 20 %	80 %
2 => 3 ´teen vuoteen hankinnasta	Omavastuu 40 %	60 %
3 => 4 ´teen vuoteen hankinnasta	Omavastuu 60 %	40 %
4 => 5 ´teen vuoteen hankinnasta	Omavastuu 80 %	20 %

3.2 Välttyäkseen miltään epäilyiltä , laskentavirheiltä tai väärinkäsityksiltä korvattavuuden suhteen edellä esitetyn taulukon mukainen korvaus lasketaan aina viallisen / vioittuneen osan osuudesta kokonaistuotteen hankinta-arvosta. Valmistaja varaa oikeuden toimittaa korvaava tuote / tuoteosa mikäli alkuperäistä osaa ei ole enää saatavissa tai se on vanhentunut.

3.3 Tämä takuu ei korvaa kuluja jotka ovat syntyneet asennuksesta, purkauksesta, tuotteen siirtämisestä tai korjaustyöstä eikä myöskään suorista tai epäsuorista kuluista & menetyksistä kuten veroista, muutoista, toimitus- & lähetyskuluista jotka ovat syntyneet tuotteen viallisuudesta tai vioittuneisuudesta.

4. Yleiset ehdot ja rajoitukset

4.1 MUILTA OSIN KUIN NIMENOMAISESTI TÄSSÄ TAKUUSSA ON ESITETTY, KAIKKIEN MUIDEN TAKUIDEN YLEISSIVOUUDET KAUPALLISESTA HYÖDYNNETTÄVYYDESTÄ TAI SOPIVUUDESTA SUORAAN TAI VÄLILLISESTI OVAT POISSULJETTU SIKÄLI KUIN LAKI SALLII.

4.2 POISLUKIEN MITÄ NÄISSÄ TAKUUEHDOISSA ON ESITETTY, VALMISTAJA EI VASTAA MISTÄÄN TAPPIOISTA TAI VAHINGOISTA MITÄ OSTAJA TAI TUOTTEEN KÄYTTÄJÄ KÄRSII SUORAAN, VÄLILLISESTI TAI SEURAUKSENA TUOTTEEN KÄYTTÄMISESTÄ TAI YHTEYDESTÄ TUOTTEESEEN.

4.3 MIKÄLI VALMISTAJAA ON KIELLETTY EVÄTÄ PAIKALLISESTI SOVELLETTAVAN LAINSÄÄDÄNNÖN TAI KULTTANSUOJA SUOSITUSTEN POHJALTA TAKUUEHTOJEN MUKAISIA KORVAUKSIA – SOVELLETTAAN YLEISESTI KAUPALLISESTI HYÖDYNNETTÄVYYDESTÄ TAI SOPIVUUDESTA TIETTYYN TARKOITUKSEEN NÄHDEN TUOTTEEN OLEVAN TAKUIDEN VOIMASSAOLOAIKAA PAIKALLISEN LAIN MUKAAN.

4.4 OSTAJA ON YKSIN VASTUUSSA ASIANMUKAISESTA KÄSITTELYSTÄ, VARASTOINNISTA, KOKOONPANOSTA SEKÄ TURVALLISESTA SIJAINNISTAETTÄ KÄYTTÖSTÄ JA SÄILYTYKSESTÄ. PALRAM EI OLE VASTUUSSA MISTÄÄN VAHINGOISTA TAI VAMMOISTA OSTAJALLE, MUULLE HENKILÖLLE TAI OSAPUOLELLE TAI HÄNEN OMAISUUDELLE. MIKÄLI NE JOHTUVAT VÄÄRÄSTÄ KÄSITTELYSTÄ, VARASTOINNISTA, ASENNUKSESTA, KOKOAMISESTA TAI TUOTTEEN VÄÄRÄSTÄ KÄYTTÖSTÄ TAI OHJEIDEN NOUDATTAMATTA JÄTTÄMISESTÄ.

4.5 JOS EI MUUTEN ERIKSEEN ILMOITETA PALRAMIN TAHOLTA, TÄMÄ TUOTE ON TARKOITETTU VAIN TAVALLISEEN KOTI- JA KAUPALLISEEN KÄYTTÖÖN.PALRAM EI OLE VASTUUSSA MISTÄÄN MENETYKSESTÄ, VAHINGOSTA, KUSTANNUKSISTA TAI KULUISTA JOTKA JOHTUVAT TUOTTEEN VÄÄRÄSTÄ KÄYTTÖSTÄ MIHIN TAHANSA TARKOITUKSEEN, MIKÄLI EI OLLA NOUDATETTU SUOSITELTUIJA KIRJALLISIA OHJEITA TAI JOS KÄYTTÖ EI OLE SALLITTUA SOVELLETTAVAN LAINSÄÄDÄNNÖN TAI MUIDEN ASETUSTEN MUKAAN PAIKASSA JOSSA OSTAJA KÄYTTÄÄ TUOTETTA.

4.6 TUOTTEEN ANKKUROINTI MAAHAN ON VALTTAMATONTA SEN VAKAUDEN JA JAYKKYDEN KANNALTA. SE VAADITAAN TASSA VAIHEESSA, JOTTA TAKUU OLISI VOIMASSA.

Palram Applications (1995) Ltd. (Virksomhedsregistreringsnummer: 512106824), registreret på adressen Teradion Industrial Park, M.P Misgav 20174, Israel ("Palram"), garanterer at Produktet ikke lider af materiefejl eller fabrikationsfejl i en periode på 5 år fra købsdatoen, underlagt definitionerne og vilkårene indeholdt i denne garanti.

1. Vilkår

1.1 Denne garanti er kun gældende, hvis Produktet er installeret, rengjort, håndteret og vedligeholdt i overensstemmelse med Palrams skrevne anbefalinger (Anbefalet brug: Fritidshavearbejde).

1.2 Uden at afvige fra det ovennævnte, er skade opstået grundet brug af fysisk magt, ukorrekt håndtering, upassende brug, forsømmeligt brug, samling eller vedligeholdelse, uheld, indvirken fra fremmedlegemer, vandalisme, forurenende stoffer, ændringer, maling, tilslutning, limning, forsegling, der ikke er i overensstemmelse med brugsvejledningen, eller skade som resultat af rengøring med ikke-kompatible rengøringsmidler og mindre afvigelser ved Produktet ikke dækket af denne garanti.

1.3 Denne garanti dækker ikke skade som resultat af "naturens handling", hvilket omfatter, men er ikke begrænset til hagl, storm, tornadoer, orkaner, snestorme, oversvømmelse, følger af brand.

1.4 Denne garanti er ugyldig, hvis der benyttes konstruktionsdele og løse dele, der ikke er kompatible med Palrams skrevne anbefalinger.

1.5 Denne garanti er kun gældende for Produktets oprindelige køber. Den omfatter ikke andre købere eller brugere af Produktet (inklusiv, men ikke begrænset til, enhver person der erhverver Produktet fra den oprindelige køber).

1.6 Enhver anden anvendelse til ethvert andet formål er på brugerens eget ansvar.

Palram fraskriver sig alt ansvar for enhver brug, der ikke anbefales af denne garanti.

2. Krav og Bekendtgørelser

2.1 Ethvert garantikrav skal bekendtgøres skriftligt til Palgram inden for 30 dage, efter opdagelsen af det defekte Produkt, og vedlægges den originale kvittering og denne garanti.

2.2 Skadesanmelderen skal lade Palram undersøge Produktet, der er tale om, og selve installationen, mens Produktet stadig befinder sig i sin oprindelige position og ikke er blevet fjernet eller flyttet eller ændret på nogen måde, og/eller lade produktet sende tilbage til Palram for afprøvning.

2.3 Palram forbeholder sig retten til selvstændigt at undersøge årsagen til dette funktionssvigt.

3. Erstatning

3.1 Hvis et krav i henhold til denne garanti bekendtgøres korrekt og godkendes af Palram, kan køberen, efter Palrams valg, (a) købe et erstatningsprodukt eller del/e, eller (b) modtage refundering for det oprindelige Produkts eller del/es købspris, alt i henhold til den følgende oversigt:

Periode Efter Køb	Erstatningsprodukt eller Del/e	Refundering
Fra købsdato til udgangen af 1. år	Uden beregning	100%
Udgangen af 1. år til udgangen af 2. år	køber vil betale 20 % af den oprindelige købspris	80%
Udgangen af 2. år til udgangen af 3. år	køber vil betale 40 % af den oprindelige købspris	60%
Udgangen af 3. år til udgangen af 4. år	køber vil betale 60 % af den oprindelige købspris	40%
Udgangen af 4. år til udgangen af 5. år	køber vil betale 80 % af den oprindelige købspris	20%

3.2 For at undgå tvivl vil beregning for bestemmelse af erstatning for defekt(e) del/e, i henhold til oversigten ovenfor, blive baseret på den defekte dels dækning i forhold til Produktets oprindelige pris. Palram forbeholder sig retten til at levere erstatninger, hvis Produktet, eller nogen del af dette, er utilgængeligt eller forældet.

3.3 Denne garanti dækker ikke omkostninger eller udgifter ved fjernelse og installation af Produktet, eller afgifter, eller forsøndelsesomkostninger, eller nogen direkte eller indirekte tab, der kan opstå grundet Produktfejl,

4. Almindelige Betingelser og Begrænsninger

4.1 UD OVER HVAD DER ER BLEVET SPECIFIKT ANFØRT I DENNE GARANTI, ER ALLE ANDRE GARANTIER, OM UDTRYKT ELLER UNDERFORSTÅET, OMFATTENDE ALLE UNDERFORSTÅEDE GARANTIER VEDRØRENDE SALGBARHED ELLER EGNETHED TIL ET SPECIFIKT FORMÅL UNDTAGET FOR SÅ VIDT LOVEN TILLADER

4.2 MED UNDTAGELSE AF, HVOR VI HAR SPECIFIKT ANFØRT DET I DENNE GARANTI, ER PALRAM IKKE ANSVARLIG FOR NOGEN TAB ELLER SKADER, SOM KØBEREN LIDER DIREKTE, INDIREKTE, ELLER SOM EN FØLGE AF BRUG, ELLER PÅ NOGEN ANDEN MÅDE FORBINDELSE TIL PRODUKTET.

4.3 HVIS PALRAM UDELUKKES FRA, I HENHOLD TIL ENHVER GÆLDENDE LOV, AT UNDTAGE DEN UNDERFORSTÅEDE SALGBARHEDS ELLER EGNETHEDSGARANTI FOR ET SPECIFIKT FORMÅL I FORHOLD TIL PRODUKTET, ER VARIGHEDEN AF ALLE SÅDANNE UNDERFORSTÅEDE GARANTIER UDTRYKkelig BEGRÆNSET TIL VARIGHEDEN AF DENNE GARANTI, ELLER, HVIS LÆNGERE, DEN MAKSIMALE PERIODE KRÆVET AF GÆLDENDE LOVGIVNING.

4.4 KØBEREN ER ENEANSVARLIG FOR AT BESLUTTE OM HÅNDBTERINGEN, OPBEVARINGEN, SAMLINGEN, INSTALLATIONEN ELLER BRUGEN AF PRODUKTET ER SIKKERT OG PASSENDE PÅ ETHVERT OMRÅDE, TIL ENHVER APPLIKATION ELLER UNDER ETHVERT GIVENT FORHOLD. PALRAM ER IKKE ANSVARLIG FOR NOGEN SKADER ELLER KVÆSTELSER KØBER, ENHVER ANDEN PERSON, ELLER EJENDOM MÅTTE LIDE, SOM RESULTAT AF UKORREKT HÅNDBTERING, OPBEVARING, INSTALLATION, SAMLING ELLER BRUG AF PRODUKTET ELLER UNDLADELSE AF AT FØLGE DE SKREVNE ANBEFALINGER VEDRØRENDE HÅNDBTERING, OPBEVARING, INSTALLATION, SAMLING OG BRUG AF PRODUKTET.

4.5 MEDMINDRE ANDET UDTRYKKELGIT ER ANGIVET AF PALRAM, PRÆPARATET ER BEREGNET TIL ALMINDELIG BRUG I HJEMMET OG KOMMERCIEL BRUG. PALRAM ER IKKE ANSVARLIG FOR TAB, SKADE, OMKOSTNINGER ELLER UDGIFTER SOM RESULTAT AF NOGEN BRUG AF PRODUKTET TIL NOGET, DER IKKE ER ANBEFALTE I DE SKREVNE ANBEFALINGER, ELLER IKKE ER TILLADT I HENHOLD TIL NOGEN GÆLDENDE LOVGIVNING ELLER ANDRE GÆLDENDE REGLER PÅ DET STED, HVOR KØBER VIL BRUGE PRODUKTET.

4.6 FORANKRING AF DETTE PRODUKT TIL JORDEN ER AFGØRENDE FOR DETS STABILITET OG STYRKE. FOR AT SIKRE GYLDIGHEDEN AF DIN GARANTI, KRVES DET, AT DU GENNEMFORER DETTE TRIN.

Palram Applications (1995) Ltd (Bedrijfsnummer: 512106824) met maatschappelijke zetel te Teradion Industrial Park, M.P Misgav 20174, Israël ("Palram") garandeert dat het product vrij is van materiaal- en fabricagefouten voor een periode van 5 jaar vanaf de oorspronkelijke datum van aankoop door de definities en voorwaarden van deze garantie.

1. Voorwaarden

- Deze garantie is alleen geldig indien het Product is geïnstalleerd, gereinigd, gebruikt en onderhouden in overeenstemming met de geschreven aanbevelingen van Palram (Aanbevolen gebruik: hobby tuinieren).
- Zonder af te wijken van het bovenstaande, zal schade veroorzaakt door gebruik van geweld, onjuist gebruik, oneigenlijk gebruik, nalatig gebruik of montage of onderhoud, ongevallen, botsing met vreemde voorwerpen, vandalisme, vervuiling, aanpassingen, schilderen, verbinden, lijmen, afdichten op een wijze die niet in overeenstemming is met de handleiding, of schade als gevolg van reiniging met incompatibele schoonmaakmiddelen en geringe afwijkingen van het Product niet vallen onder deze garantie.
- Deze garantie geldt niet voor schade als gevolg van "overmacht", inclusief maar niet beperkt tot, hagel, onweer, tornado's, orkanen, sneeuwstormen, overstromingen, gevolgen van brand.
- Deze garantie vervalt als structurele onderdelen en onderdelen die worden gebruikt niet compatibel zijn met schriftelijke aanbevelingen van Palram.
- Deze garantie geldt alleen voor de oorspronkelijke koper van het Product. Zij geldt niet voor een andere koper of gebruiker van het Product (inclusief, maar niet beperkt tot, elke persoon die het product koopt van de oorspronkelijke koper).
- Elk ander gebruik voor iets anders dan waar het voor bedoeld is valt onder de verantwoordelijkheid van de gebruiker. Palram verwierpt en aanvaardt geen aansprakelijkheid voor elk gebruik dat niet wordt aanbevolen door deze garantie.

2. Claims en meldingen

- Elke garantieclaim dient bij Palram te worden ingediend binnen 30 dagen na de ontdekking van het defecte product, met bijvoeging van het originele koopbewijs en deze garantie.
- De eiser moet het Palram mogelijk maken het betrokken product en de constructielocatie zelf te inspecteren, met het product nog in de oorspronkelijke positie en niet verwijderd of verplaatst of op enigerlei wijze veranderd en/of het product terugzenden naar Palram om te laten testen.

3. Palram behoudt zich het recht om zelfstandig de oorzaak van een probleem te onderzoeken.

3. Compensatie

- Indien een claim onder deze garantie goed is aangemeld en door Palram is goedgekeurd, mag de koper, naar Palrams keuze, ofwel (a) een vervangend product of onderde(e)/en aanschaffen, of (b) het aankoopbedrag van het oorspronkelijke product of onderde(e))/en terugkrijgen, alles in overeenstemming met het volgende schema:

Periode na aankoop	vervangende product of onderde(e))/en Teruggave	Teruggave
Vanaf de aankoopdatum tot het eind van 1e jaar	Gratis	100%
Einde van 1 ^e jaar tot einde van 2 ^e jaar	koper betaalt 20% van het oorspronkelijke aankoopbedrag	80%
Einde van 2 ^e jaar tot einde van 3 ^e jaar	koper betaalt 40% van het oorspronkelijke aankoopbedrag	60%
Einde van 3 ^e jaar tot einde van 4 ^e jaar	koper betaalt 60% van het oorspronkelijke aankoopbedrag	40%
Einde van 4 ^e jaar tot einde van 5 ^e jaar	koper betaalt 80% van het oorspronkelijke aankoopbedrag	20%

- Voor alle duidelijkheid, de berekening voor de bepaling van de compensatie voor defecte onderde(e))/en, volgens het bovenstaande schema, zal worden gebaseerd op de bijdrage van het defecte onderdeel of de oorspronkelijke kosten van het product. Palram behoudt zich het recht voor vervangingen te leveren indien het product of enig deel daarvan niet beschikbaar of verouderd is.
- Deze garantie dekt geen kosten en uitgaven van de verwijdering en installatie van het Product of belastingen of verzendkosten of enige andere directe of indirecte schade(s) die kan/kunnen voortvloeien uit het defect van het product.

4. Algemene voorwaarden en beperkingen

- ANDERS DAN SPECIEK IN DEZE GARANTIE AANGEGEVEN, ZIJN ALLE ANDERE GARANTIES, HETZIJ EXPLICIET OF IMPLICIET, INCLUSIEF ALLE IMPLICIETE GARANTIES VAN VERKOOPBAARHEID OF GESCHIKTHEID VOOR EEN BEPAALD DOEL UITGESLOTEN VOOR ZOVER DE WET DIT TOELAAT.
- BEHALVE WAAR WE DAT SPECIEK HEBBEN AANGEGEVEN IN DEZE GARANTIE, ZAL PALRAM NIET VERANTWOORDELIJK VOOR VERLIES OF SCHADE DIE DE KOPER LIJDT, DIRECT OF INDIRECT, OF ALS GEVOLG VAN HET GEBRUIK, OF OP WELKE ANDERE WIJZE DAN OOK IN VERBAND MET HET PRODUCT.
- ALS HET PALRAM VERBODEN IS ONDER DE TOEPASSELIJKE WETGEVING DE GARANTIES VAN VERKOOPBAARHEID OF GESCHIKTHEID UIT TE SLUITEN VOOR EEN BEPAALD DOEL MET BETREKKING TOT HET PRODUCT, IS DE DUUR VAN ALLE DERGELIJKE IMPLICIETE GARANTIES UITDRUKKELIJK BEPERKT TOT DE DUUR VAN DEZE GARANTIE OF, INDIEN LANGER, TOT DE MAXIMALE PERIODE VEREIST IN DE TOEPASSELIJKE WETGEVING.
- DE KOPER IS ZELF GEHEEL VERANTWOORDELIJK OM TE BEPALEN OF HET HANTEREN, DE OPSLAG, MONTAGE, INSTALLATIE OF HET GEBRUIK VAN HET PRODUCT OP ELKE LOCATIE VEILIG EN PASSEND IS, GESCHIKT IS VOOR HET DOEL OF PASSEND ONDER DE GEGEVEN OMSTANDIGHEDEN IS. PALRAM IS NIET VERANTWOORDELIJK VOOR ENIGE SCHADE OF LETSEL AAN DE KOPER, EEN ANDERE PERSOON OF ENIGE ANDERE ZAKEN ALS GEVOLG VAN ONDOELMATIG GEBRUIK, OPSLAG, INSTALLATIE, MONTAGE OF HET GEBRUIK VAN HET PRODUCT OF HET NIET VOLGEN VAN DE SCHRIFTELIJKE AANWIJZINGEN BETREFFENDE HET HANTEREN, OPSLAAN, INSTALLEREN, MONTEREN EN GEBRUIK VAN HET PRODUCT.
- TENZIJ NADRUKKELIJK ANDERS AANGEGEVEN DOOR PALRAM, IS HET PRODUCT ALLEEN BEDOELD VOOR NORMAAL RESIDENTIEEL EN COMMERCIEEL GEBRUIK. PALRAM IS NIET VERANTWOORDELIJK VOOR VERLIES, SCHADE, KOSTEN OF UITGAVEN ALS GEVOLG VAN HET GEBRUIK VAN HET PRODUCT VOOR ENIG DOEL DAT NIET IS AANBEVOLEN IN DE SCHRIFTELIJKE INSTRUCTIES OF DAT NIET IS TOEGESTAAN VANWEGE ENIGE TOEPASSELIJKE WETGEVING OF ANDERE GEBRUIKEN OP DE LOCATIE WAAR DE KOPER HET PRODUCT ZAL GEBRUIKEN.
- VERANKERING VAN DIT PRODUCT AAN DE GROND IS VAN ESSENTIEEL BELANG VOOR DE STABILITEIT EN STEVIGHEID. DEZE FASE DIENT TE WORDEN VOLTOOID, OM UW GARANTIE GELDIG TE LATEN BLIJVEN.

Palram Applications (1995) Ltd (società numero: 512106824) i cui uffici registrati hanno sede a Teradion Industrial Park, M.P Misgav 20174000, Israele ("Palram") garantisce che il Prodotto sarà privo da difetti di materiale o di lavorazione in un periodo di 5 anni dalla data originale d'acquisto soggetta alle definizioni, termini e condizioni contenute in questa garanzia.

1. Condizioni

- La presente garanzia sarà valida solo se il Prodotto è installato, pulito, trattato e mantenuto secondo le raccomandazioni scritte di Palram (Uso raccomandato: Giardinaggio amatoriale).
- Senza deroghe a quanto descritto sopra, i danni causati da forzature, trattamento incorretto, uso inappropriato, uso disattento o assemblaggio o manutenzione, incidenti, impatto da oggetti estranei, vandalismo, inquinanti, alterazioni, pittura, connessioni, incollature, chiusura non conformi al manuale utente o danni derivanti dalla pulizia con detersivi incompatibili e variazioni minori al Prodotto non sono coperti dalla presente garanzia.
- La presente garanzia non è valida per i danni derivanti da cause di forza maggiore che includono, ma non si limitano a, grandine, tempeste, tornado, uragani, bufere di neve, allagamenti, effetti del fuoco.
- La presente garanzia si ritiene nulla se le parti strutturali e i componenti usati non sono compatibili con le raccomandazioni scritte di Palram.
- La presente garanzia è valida solo per l'acquirente originario del Prodotto. Tale garanzia non si estende ad altri acquirenti o utenti del Prodotto (che includono, ma non si limitano a, ogni persona che acquista il Prodotto dall'acquirente originario).
- Ogni altro uso per qualunque altro scopo è sotto la responsabilità esclusiva dell'utente. Palram declina e non si assume alcuna responsabilità per qualsiasi uso non raccomandato dalla presente garanzia.

2. Richieste e notifiche

- Ogni richiesta in garanzia deve essere notificata a Palram per iscritto entro 30 giorni dalla scoperta del Prodotto difettoso, allegando la ricevuta di acquisto originale e la presente garanzia.
- Il richiedente deve consentire a Palram di ispezionare il Prodotto in questione e lo stesso sito di installazione mentre il Prodotto è ancora nella sua posizione originale e non è stato rimosso, spostato o alterato in alcun modo e/o restituire il Prodotto a Palram per effettuare una prova.
- Palram si riserva il diritto di indagare in modo indipendente la causa di qualsiasi avaria.

3. Risarcimento

- Se la richiesta sotto garanzia viene notificata in modo appropriato e approvata da Palram, l'acquirente potrà, secondo l'opzione offerta da Palram, (a) acquistare un Prodotto in sostituzione o una o più parti, oppure (b) ricevere un risarcimento del Prodotto originale o del prezzo di acquisto di una o più parti, tutte in conformità alla seguente tabella:

Periodo dopo l'acquisto	Prodotto o parte/i in sostituzione	Risarcimento
Dalla data di acquisto fino alla fine del primo anno	Gratuito	100%
Fine del primo anno fino alla fine del secondo anno	l'acquirente pagherà il 20% del prezzo originale	80%
Fine del secondo anno fino alla fine del terzo anno	l'acquirente pagherà il 40% del prezzo originale	60%
Fine del terzo anno fino alla fine del quarto anno	l'acquirente pagherà il 60% del prezzo originale	40%
Fine del quarto anno fino alla fine del quinto anno	l'acquirente pagherà il 80% del prezzo originale	20%

- Onde evitare ogni dubbio, il calcolo per determinare il risarcimento per la/e parte/i difettosi, secondo la tabella di cui sopra, verrà basato sulla contribuzione della parte difettosa sul costo originale del Prodotto. Palram si riserva il diritto di fornire sostituzioni se il Prodotto o qualsiasi parte di esso sia obsoleta o non disponibile.
- La presente garanzia non copre alcun costo o spesa relativa alla rimozione e all'installazione del Prodotto, imposte, spese di spedizione o qualsiasi altra/e perdita/e diretta/e o indiretta/e derivante/i dal Prodotto avariato.

4. Condizioni generali e limitazioni

- DIVERSAMENTE DA QUANTO È STATO SPECIFICATO NELLA PRESENTE GARANZIA, TUTTE LE ALTRE GARANZIE, ESPRESSE O IMPLICITE, COMPRESSE TUTTE LE GARANZIE IMPLICITE DI COMMERCIALITÀ O IDONEITÀ PER UNO SCOPO PARTICOLARE SONO ESCLUSE SECONDO LE LEGGI VIGENTI.
- ECCETTO SE SPECIFICATAMENTE INDICATO NELLA PRESENTE GARANZIA, PALRAM NON SARÀ RESPONSABILE DI ALCUNA PERDITA O DANNI SUBITI DALL'ACQUIRENTE, DIRETTAMENTE O INDIRECTAMENTE, COME CONSEGUENZA DELL'USO O LEGATI IN QUALSIASI ALTRO MODO AL PRODOTTO.
- SE LA LEGGE VIGENTE NON CONSENTE A PALRAM DI ESCLUDERE LE GARANZIE IMPLICITE DI COMMERCIALITÀ O IDONEITÀ PER UNO SCOPO PARTICOLARE IN RELAZIONE AL PRODOTTO, LA DURTA DI TALI GARANZIE IMPLICITE VIENE ESPRESSAMENTE LIMITATA ALLA DURATA DELLA PRESENTE GARANZIA O, SE PRESENTA DURATA MAGGIORE, AL PERIODO MASSIMO PREVISTO DALLE LEGGI VIGENTI.
- L'ACQUIRENTE È IL SOLO RESPONSABILE NEL DETERMINARE SE IL TRATTAMENTO, LA CONSERVAZIONE, L'ASSEMBLAGGIO, L'INSTALLAZIONE DEL PRODOTTO SIA SICURA E OPPORTUNA IN QUALSIASI LUOGO, PER QUALSIASI SCOPO O IN QUALSIASI CIRCOSTANZA. PALRAM NON È RESPONSABILE DI ALCUN DANNO O FERITE SUBITE DALL'ACQUIRENTE, O QUALSIASI ALTRA PERSONA O PROPRIETÀ DERIVANTI DA TRATTAMENTO, CONSERVAZIONE, INSTALLAZIONE, ASSEMBLAGGIO O USO IMPROPRIO DEL PRODOTTO O DALLA MANCATA OSSERVANZA DELLE ISTRUZIONI RELATIVE A TRATTAMENTO, CONSERVAZIONE, INSTALLAZIONE, ASSEMBLAGGIO E USO DEL PRODOTTO.
- A MENO CHE NON SIA ESPRESSAMENTE INDICATO DA PALRAM, IL PRODOTTO È INTESO SOLTANTO PER UN USO NORMALE, LOCALE E COMMERCIALE. PALRAM NON È RESPONSABILE DI ALCUNA PERDITA, DANNO, COSTO O SPESA DERIVANTI DALL'USO DEL PRODOTTO PER QUALSIASI ALTRO SCOPO NON SUGGERITO NELLE ISTRUZIONI O CHE NON VENGA PREVISTO DALLA LEGISLAZIONE VIGENTE O DA ALTRI CODICI VIGENTI NELLA LOCALITÀ DOVE L'ACQUIRENTE USERÀ IL PRODOTTO.
- IT FISSAGGIO DI QUESTO PRODOTTO A TERRA È ESSENZIALE PER OTTENERE STABILITY E RIGIDITY. AFFINCHÉ LA GARANZIA SIA VALIDA A NECESSARIO COMPLETARE QUESTO PASSAGGIO.

Palram Applications (1995) Ltd (číslo spoločnosti: 512106824), ktorej sídlo je v priemyselnom parku Teradion, M.P Misgav 20174000, Izrael (ďalej len „Palram“) poskytuje záruku, že výrobok bude bez chýb materiálu a vyhotovenia po 5 troch rokov od pôvodného dátumu nákupu, na ktorý sa vzťahujú definície a podmienky obsiahnuté v tejto záruke.

1. Podmienky

- Táto záruka je platná iba v prípade, že bol výrobok nainštalovaný, čistý a udržiavaný v súlade s písomnými odporúčaniami spoločnosti Palram a ak sa s ním v súlade s nimi aj zaobchádza (Odporúčaný spôsob použitia: Hobby Záhradníctvo).
- Ďalej sa táto záruka nevzťahuje ani na škody spôsobené použitím sily, nesprávnym zaobchádzaním, nevhodným použitím, nebalým používaním, montážou alebo údržbou, nehodami, nárazom cudzích predmetov, vandalizmom, znečisťujúcimi látkami, úpravami, náterom, spájaním, lepením a tesnením, ktoré nie je v súlade s návodom, alebo poškodenie v dôsledku čistenia pomocou nevhodných čistiacich prostriedkov a drobné odchýlky vo výrobku, a to ani pri splnení vyššie uvedených podmienok.
- Táto záruka sa nevzťahuje na škody vzniknuté v dôsledku zásahu „vyššej moci,“ napríklad v dôsledku krupobitia, víchrice, tornáda, hurikánu, snehovej búrky, povodne či požiaru.
- Táto záruka neplatí, pokiaľ boli použité konštrukčné diely a komponenty, ktoré nie sú v súlade s písomnými odporúčaniami spoločnosti Palram.
- Táto záruka sa vzťahuje len na pôvodného kupujúceho výrobku. Záruka sa nevzťahuje na žiadneho iného kupujúceho alebo používateľa výrobku (vrátane akékoľvek ďalšej osoby, ktorá získala výrobok od pôvodného kupujúceho).
- Používanie na akýkoľvek iný účel je na výhradnú zodpovednosť používateľa. Spoločnosť Palram nenesie a zrieka sa zodpovednosti za akékoľvek iné použitie, ktoré nie je odporúčané v tejto záruke.

2. Reklamácia a oznámenie

- Každá reklamácia musí byť oznámená písomne spoločnosti Palram do 30 dní po zistení vady na výrobku. K oznámeniu musí byť priložený originál dokladu o zakúpení a táto záruka.
- Žiadateľ musí umožniť spoločnosti Palram prehliadku výrobku a samotné miesto inštalácie s výrobkom vo svojej pôvodnej polohe, z ktorej nebol výrobok odstránený, presunutý alebo akýmkoľvek iným spôsobom zmenený a/alebo vrátiť daný výrobok spoločnosti Palram za účelom prehliadky.
- Spoločnosť Palram si vyhradzuje právo nezávisle vyšetriť príčiny akéhokoľvek zlyhania.

3. Náhrada

- Ak je reklamácia v rámci tejto záruky riadne oznámená a potvrdená spoločnosťou Palram, kupujúci si môže podľa uváženia spoločnosti Palram, buď (a) zakúpiť náhradný výrobok alebo diel/-y; alebo (b) dostať náhradu za pôvodný výrobok alebo jeho časť/časti kúpnej ceny, vždy podľa nasledujúceho postupu:

Obdobie po zakúpení	Náhradný produkt alebo diel/-y	Výška náhrady
Od dátumu nákupu až do konca prvého roka	Bezplatne	100%
Koniec 1. roka až do konca 2. roka	kupujúci zaplatí 20% z pôvodnej kúpnej ceny	80%
Koniec 2. roka až do konca 3. roka	kupujúci zaplatí 40% z pôvodnej kúpnej ceny	60%
Koniec 3. roka až do konca 4. roka	kupujúci zaplatí 60% z pôvodnej kúpnej ceny	40%
Koniec 4. roka až do konca 5. roka	kupujúci zaplatí 80% z pôvodnej kúpnej ceny	20%

- Pre vylúčenie pochybností bude výpočet týkajúci sa náhrady chybnéj časti/-í podľa uvedeného postupu vychádzať z pomeru chybnéj časti k pôvodnej obstarávacej cene výrobku. Spoločnosť Palram si vyhradzuje právo poskytnúť náhradu v prípade, že nie je výrobok či jeho časť k dispozícii alebo sa už viac nepoužíva.
- Táto záruka sa nevzťahuje na žiadne náklady či výdavky na demontáž a montáž výrobku, dane, prepravné náklady alebo akékoľvek iné priame alebo nepriame výdaje, ktoré môžu byť dôsledkom vady výrobku.

4. Všeobecné podmienky a obmedzenia

- ZÁRUKY INÉ AKO VÝSLOVNE TU UVEDENÉ, VŠETKY OSTATNÉ ZÁRUKY, VÝSLOVNE ALEBO ODVODENÉ, VRÁTANE VŠETKÝCH ODVODENÝCH ZÁRUK PREDAJNOSTI ALEBO VHODNOSTI NA KONKRÉTNY ÚČEL SÚ VYLÚČENÉ, AK TO ZÁKON UMOŽŇUJE.
- OKREM VÝSLOVNE UVEDENÉHO V TOTOJ ZÁRUKE, SPOLOČNOSŤ PALRAM NENESIE ZODPOVEDNOSŤ ZA ŽIADNE STRATY ALEBO ŠKODY, KTORÉ KUPUJÚCI UTRPÍ PRIAMO ALEBO NEPRIAMO, ČI V DÔSLEDKU POUŽÍVANIA VÝROBKU ALEBO AKÝMKOLIEK INÝM SPÔSOBOM VZŤAHUJÚCIM SA K VÝROBKU.
- AK NEMOŽE SPOLOČNOSŤ PALRAM PODĽA PRÍSLUŠNÝCH PRÁVNÝCH PREDPISOV VYLÚČIŤ DANÚ ZÁRUKU OBCHODOVATEĽNOSTI ALEBO VHODNOSTI NA KONKRÉTNY ÚČEL VO VZŤAHU K VÝROBKU, TRVANIE VŠETKÝCH TAKÝCH ZÁRUK JE VÝSLOVNE OBMEDZENÉ NA DOBU TOTOJ ZÁRUKY, PRÍPADNE AK SÚ DLHŠIE, TAK NA MAXIMÁLNU DOBU POŽADOVANÚ PRÁVOM.
- KUPUJÚCI JE VÝHRADNE ZODPOVEDNÝ ZA URČENIE, ČI JE MANIPULÁCIA, SKLADOVANIE, MONTÁŽ, INŠTALÁCIA, ALEBO POUŽITIE PRÍPRAVKU BEZPEČNÉ A VHODNÉ V DANOM MIESTE, PRE DANÉ POUŽITIE ALEBO ZA URČITÝCH OKOLNOSTÍ. SPOLOČNOSŤ PALRAM NENESIE ŽIADNU ZODPOVEDNOSŤ ZA ŠKODU ALEBO ZA ZRANENIE KUPUJÚCEHO, AKEJKOLIEK INEJ OSOBY ALEBO MAJETKU V DÔSLEDKU NEPRIMERANÉHO ZAOBCHÁDZANIA, SKLADOVANIA, INŠTALÁCIE, MONTÁŽE, POUŽITIA VÝROBKU ALEBO ZA NEDODRŽANIE PÍSOBNÝCH POKYNOV TÝKAJÚCICH SA MANIPULÁCIE, SKLADOVANIA, INŠTALÁCIE, MONTÁŽE A POUŽÍVANIA VÝROBKU.
- TENTO VÝROBK JE URČENÝ IBA NA BEŽNÉ DOMÁCE A OBCHODNÉ POUŽITIE, POKIAĽ TO SPOLOČNOSŤ PALRAM VÝSLOVNE NEUVÁDZA INAK. SPOLOČNOSŤ PALRAM NENESIE ZODPOVEDNOSŤ ZA STRATU, ŠKODU, NÁKLADY ČI VÝDAVKY PLYNÚCE Z AKÉHOKOLIEK POUŽITIA TOHTO VÝROBK, BEZ OHLADU NA JEHO ÚČEL, POKIAĽ NIE JE ODPORÚČANÝ V PÍSOBNÝCH POKYNOCH ALEBO NIE JE DOVOLENÝ PODĽA PLATNÝCH PRÁVNÝCH PREDPISOV ČI AKÝMKOLIEK INÝMI PRÁVNÝMI PREDPISMI PLATNÝMI V MIESTE, KDE KUPUJÚCI DANÝ VÝROBK POUŽÍVA.
- NA VEDOMIE UKOTVENIE TOHTO VÝROBKU NA ZEM, JE POTREBNE PRE JEHO STABILITU A TUHOST.VYIADUJE SA NA DOKONTENIE TOTOJ FKY, ABY PLATILA ZARUKA.

Palram Applications (1995) Ltd (Ettevõtte number: 512106824), kelle registrijärgne asukoht on Teradion Tööstuspargis, M. Misgav 20174, Iisrael („Palram“) garanteerib, et Toode ei sisalda materjali- ega valmistamisvigu 5 aasta jooksul alates originaali ostukuupäev vastavalt käesolevas garantiiis sisalduvatele mõistetele, tingimustele ja tingimustele.

1. Tingimused

- Käesolev garantii kehtib ainult siis, kui toode on paigaldatud, puhastatud, käideldud ja hooldatud vastavalt Palrami kirjalikele soovitudele (Soovitatav kasutus: Harrastus aiandus).
- Eespool nimetatust kõrvale kaldumata, vigastused, mis on põhjustatud jõe kasutamisest, valest käsitsemisest, sobimatust kasutamisest, hooletusest või kokkupanemisest või hooletusest, õnnetustest, võõrkehadest, vandalismist, saasteainetest, muundamisest, värvimisest, ühendamisest, liimimisest, tihendamisest, mis ei ole kooskõlas Kasutusjuhendiga või selle ühildumatute pesuvahenditega puhastamise tagajärjel tekkinud kahjustustega ja toote väikeste kõrvalekalletega see garantii ei kehti.
- Käesolev garantii ei kehti vääramatu jõe tagajärjel tekkinud kahju suhtes, mis hõlmab, kuid mitte ainult, rahe, tormi, tornaado, orkaan, lumetorm, üleujutus, tulekahju.
- Garantii on tühine, kui kasutatavad konstruktsiooniosad ja komponendid ei ole kooskõlas Palrami kirjalike soovitudega.
- Käesolev garantii kehtib ainult toote algele ostjale. See ei laiene ühelegi teisele toote ostjale või kasutajale (sealhulgas, kuid mitte ainult, isikule, kes omandab toote algsest ostjast).
- Mistahes muu kasutus muul otstarbel on kasutaja ainuvastutusel.

Palram ei võta enda peale mingit vastutust mistahes kasutamise eest, mida käesolev garantii ei soovi.

2. Nõuded ja teated

- Iga garantiinõue tuleb Palramile kirjalikult teatada 30 päeva jooksul pärast defekte toote avastamist, lisades originaalse müügikviitungi ja selle garantii.
- Taotleja peab lubama Palramil kontrollida toodet ja paigalduskohta ise, kui toode on endiselt algasendis ja seda ei ole eemaldatud või teisaldatud ega muudetud ega / või tagastatud toode Palramile testimiseks tagastatud.

2.3 Palram jätab endale õiguse uurida sõlmutumatul mis tahes ebaõnnestumise põhjust.

3. Hüvitis

- Kui käesoleva garantiiga seotud nõue on nõuetekohaselt teavitatud ja Palram on selle heaks kiitnud, võib ostja Palrami valikul kas (a) osta asendustoode või osa / osad; või (b) saada algse toote või osa / ostuhinna tagasimakseid vastavalt järgmisele ajakavale:

Periood pärast ostmist	Asendustoode või osa / osad	Tagasimakse
Alates ostukuupäevast kuni 1. aasta lõpuni	Tasuta	100%
1. aasta lõpp kuni 2. aasta lõpuni	ostja maksab 20% algsest ostuhinnast	80%
2. aasta lõpp kuni 3. aasta lõpuni	ostja maksab 40% algsest ostuhinnast	60%
3. aasta lõpp kuni 4. aasta lõpuni	ostja maksab 60% algsest ostuhinnast	40%
4. aasta lõpp kuni 5. aasta lõpuni	ostja maksab 80% algsest ostuhinnast	20%

- Kahtluse välitamiseks põhineb ülaltoodud ajakava kohaselt defekte osade / osade hüvitamise kindlaksmääramine vigase osa panusel toote esialgse maksumusega. Palram jätab endale õiguse teha asendusi, kui toode või selle osa ei ole kättesaadav või vananenud.
- Käesolev garantii ei kata toote eemaldamise ja paigaldamise kulusid ega kulusid ega makse või transpordikulusid ega muid otseseid või kaudseid kahjusid, mis võivad tekkida toote riketest.

4. Üldtingimused ja - Piirangud

- MUUD TÄIENDATUD GARANTIIDES MÄÄRATUD TEISED GARANTIID, MILLELE ON VÄLJA ARVATUD VÕI KASUTATUD, TÄHELEPANU KÕIKI KASUTATAVATE GARANTIITEGA VÕI KASUTATAVATE TÄHTSUSTE SUHTES KOHALDATAVAD GARANTIID ON VÄLJA JÄRGI.
- VAJADUSEL, KUI ME OLEME ERILISELT SELLE GARANTIIS TUNNISTATUD, EI OLE PALRAMI VASTU VÕIMALIKE KAHJUDE VÕI KAHANDAMISE KOHTA, KES VASTUTAB OTSESE, KINDLAKSMÄÄRATUD VÕI KASUTAMISEKS VÕI MUUDE TOODETEGA SEOTUD KASUTUST.
- KUI PALRAM ON KEELATUD KOHALDATAVA ÕIGUSE JÄRGI, KUI KASUTATAKSE VÕIMALIKE KASUTATAVUSE GARANTIIDI VÕI TOODETE SUHTES KOHALDAMISEKS, KÕIKI NENDE KASUTATUD GARANTII KESTUS ON VÄLJA KEHTIVATUD KÄESOLEVA GARANTII VÕI KUI VAJADUSEL, KOHALDATAVA ÕIGUSEGA ESITATAV MAKSIMAALNE PERIOOD.
- OSTJA ON VASTUTAV SELLE EEST, ET MÄÄRATA KINDLAKS, KAS TOOTE KÄSITSEMIN E, LADUSTAMINE, MONTAAŽ, PAIGALDAMINE VÕI KASUTAMINE ON IGAS KOHAS, MIS TAHES KASUTUSVALDKONNAS VÕI MIS TAHES KOHAS. PALRAM EI OLE VASTUTAB TOOTJA, MUUDE ISIKUTE VÕI MÜÜGIKAS KASUTAMISE, SÄILITAMISE, PAIGALDAMISE, PAIGALDAMISE VÕI KASUTAMISE VÕI KASUTAMISE, HOIUSTAMISE, PAIGALDAMISE, PAIGALDAMISE, PAIGALDAMISE, PAIGALDAMISE, PAIGALDAMISE, PAIGALDAMISE, KASUTAMISE, KASUTAMISE, KASUTAMISE KOHTA, , TOOTE KOOSTAMINE JA KASUTAMINE.
- TULEB, KUI MUUDE PALRAMI NÄIDATUD, KASUTATAKSE TOODET AINULT NORMAALSEKS JA KAUBANDUSLIKUKS KASUTAMISEKS. PALRAM EI OLE VÕIMALIKE TOODE KASUTAMISEKS VÕIMALIKE KAHJUDE, KAHJUDE, KULUDE VÕI KULUDE KOHTA, MIDA KIRJALIKUD JUHENDID VÕI MITTE KOHALDATAVAD ÕIGUSAKTID VÕI MUUD KOODID, MIS TULEB SOOVITUSES OSTJA KASUTADA TOOTE.
- VÕTTA MÄRKUS:** SELLE TOOTE KINNITAMINE MAAPINNALE ON ESMATÄHTS OMA STABILUSE JA ELUJÕULISUSE JAOKS. SEE ON VAJALIK, ET TÄITA KÄESOLEV ETAPP, ET TAGADA OMA GARANTEERIMINE.

A Palram Applications (1995) Ltd (cégjegyzékszám: 512106824), amelynek székhelye a Teradion Industrial Park, MP Misgav 20174, Izrael (a továbbiakban: "Palram"), garantiálja, hogy a termék az eredeti vásárlási dátumtól számítva 5 évig mentes mindenemű anyag vagy a gyártási hibától, a jelen garanciában szereplő feltételek betartása mellett.

1. Feltételek

- Ez a jótállás csak akkor érvényes, ha a termék a Palram írásbeli ajánlásainak megfelelően lett telepítve, tisztítva, kezelve és karbantartva (Ajánlott felhasználás: Hobbi kertészet).
- A garancia nem érvényesíthető, ha: az útmutatóban leírtaktól eltérően használják, tehát ha a kár különféle erő hatására, helytelen kezelés folytán, nem rendeltetésszerű használat miatt, hanyag használat végett következik be, továbbá az összeszerelés és/vagy a karbantartás során bekövetkezett kár esetén, vagy ha a kár idegen tárgyak által, vandalizmus, szennyező anyagok végett, vagy a kézikönyvben előírtaktól eltérő változtatások, festések, más összekötés, ragasztás, nem megfelelő tömítés folytán következett be, vagy a ha a kár a tisztítás során, nem megfelelő mosószer végett történt. A garancia vagy nem vonatkozik a gyárilag megadott minimális színbeli eltérésekre.
- Ez a garancia nem vonatkozik a "vis maior" okozta károkra, amely magában foglalja többek közt a jégesőt, vihart, tornádót, hurrikánt, hóvihart, árvizet, tűzeseteket.
- Ez a garancia érvényét veszti, ha a felhasznált szerkezeti elemek és alkatrészek nem kompatibilisek a Palram által írásos formában ajánlott alkatrészekkel.
- Ez a garancia kizárólag a termék eredeti vásárlójára vonatkozik. Nem terjed ki a termék második vásárlójára vagy más felhasználójára (beleértve, de nem kizárólagosan, arra a személyre, aki a terméket az eredeti vásárlótól szerezte meg).
- A bármilyen más célú felhasználás a felhasználó kizárólagos felelőssége. A Palram nem vállal felelősséget a jelen garanciától eltérő használatért.

2. Követelések és értesítések

- Minden garanciális igényt, a termék hibájának/meghibásodásának észrevételét követő 30 napon belül, írásban kell közölni a Palram-nak, mellékelve az eredeti számlát és ezt a garanciajegyet.
- A garanciális igényt érvényesítő félnek lehetővé kell tennie a Palram számára, hogy az érintett terméket és a telepítési helyet saját maga is ellenőrizze, úgy, hogy a termék eredeti állapotban van, és semmilyen módon nem távolították el, nem helyezték át és nem végeztek módosításokat. A terméket tehát ne küldje vissza a Palram részére bevizsgálásra.
- A Palram fenntartja magának azon jogot, hogy függetlenül vizsgálja meg a hiba okait.

3. Kártérítés

- Ha a garanciára vonatkozó igényéről a Palram-ot megfelelően értesíti, és az jóváhagyja azt, úgy a vevő, a Palram választása szerint (a) megvásárolhat egy csereterméket vagy cseerealkatrészt; vagy (b) az eredeti termék, vagy annak részleges vételárát visszakapja, mindezt az alábbi ütemezés szerint:

Vásárlás utáni időszak	Cseretermék vagy cseerealkatrész	Visszatérítés
A vásárlás dátumától számítva, az 1. év végéig	Díjmentes	100%
Az 1. év végétől a 2. év végéig	A vevő az eredeti vételár 20% -át fizeti ki	80%
A 2. év végétől a 3. év végéig	A vevő az eredeti vételár 40% -át fizeti ki	60%
A 3. év végétől a 4. év végéig	A vevő az eredeti vételár 60% -át fizeti ki	40%
A 4. év végétől a 5. év végéig	A vevő az eredeti vételár 80% -át fizeti ki	20%

- A kétségek elkerülése végett a hibás alkatrész/ek kompenzációjára vonatkozó meghatározás, a fenti ütemezés szerint történik, melynek alapját a hibás alkatrész eredeti ára képi. A Palram fenntartja azon jogát, hogy ha a termék vagy annak bármely alkatrésze nem érhető el, vagy nem gyártják már, úgy azt más termékkel vagy alkatrészsel helyettesítse.
- A garancia nem terjed ki a termék eltávolításának és telepítésének költségeire, illetve az adóra, vagy szállítási költségekre, továbbá a termék meghibásodásából eredő bármilyen más közvetlen, vagy közvetett veszteségre.

4. Általános feltételek és korlátozások

- A GARANCIAJEGYBEN NEM SZEREPLŐ, EGYÉB KÖZVETLEN VAGY HALLGATÓLAGOS JÓTÁLLÁS NINCS, IDEÉRTVE, DE NEM KIZÁRÓLAG, AZ ÉRTÉKESÍTHETŐSÉGRE VAGY EGY ADOTT CÉLRA VALÓ ALKALMASSÁGRA VONATKOZÓ SZAVATOSSÁGOT IS.
- KIVÉVE, HA EZEN GARANCIAJEGY KI NEM MONDJA, A PALRAM NEM FELELŐS ESETLEGES KÁROKÉRT VAGY VESZTESÉGEKÉRT A VEVŐVEL SZEMBEN, SEM KÖZVETLENÜL, SEM KÖZVETVE, MÉG HA AZ A HASZNÁLAT SORÁN IS KÖVETKEZIK BE, VAGY HA A KÁR BÁRMILYEN MÁS MÓDON KAPCSOLÓDIK A TERMÉKHEZ.
- HA A PALRAM NAK BÁRMELY VONATKOZÓ TÖRVÉNY ÉRTELMEBEN TILOS A FENTI GARANCIA FORGALOMBA HOZNI A TERMÉK EGY ADOTT CÉLRA TÖRTÉNŐ FELHASZNÁLÁSÁVAL ÉS ALKALMASSÁGÁVAL KAPCSOLATOSAN, ÚGY A TERMÉKKEL KAPCSOLATOS, AZ ÖSSZES ILYEN GARANCIA ÉRVÉNYESSÉGE KIZÁRÓLAG AZ EMLÍTETT TÖRVÉNY GARANCIA LIS IDŐTARTAMÁRA KORLÁTOZÓDIK, VAGY, HA JOGILAG ALKALMAZHATÓ, ÚGY A GARANCIA A LEHOSSZABB IDŐSZAKRA ALKALMAZANDÓ, MELYET A JOGSZABÁLYOK ELŐÍRNAK.
- KIZÁRÓLAGOSAN, MINDIG ÉS MINDEN KÖRÜLMÉNY KÖZÖTT, A VÁSÁRLÓ FELEL A TERMÉK MEGFELELŐ FELÉPÍTÉSI HELYÉNEK MEGÁLLAPÍTÁSÁÉRT, ANNAK KEZELÉSÉÉRT, TÁROLÁSÁÉRT, ÖSSZEÁLLÍTÁSÁÉRT, TOVÁBBÁ A TERMÉK BIZTONSÁGOS HASZNÁLATÉRT, MINDEN HELYSZÍNEEN ÉS MINDEN ALKALMAZÁSI TERÜLETEN. A PALRAM NEM TEHETŐ FELELŐSSE SEMMILYEN, A VÁSÁRLÓT, VAGY MÁS SZEMÉLYEKET ÉRT VAGYONI KÁROKÉRT, VAGY SÉRÜLÉSEKÉRT, AMELYEK A TERMÉK NEM RENDELTETTESZÉRŰ HASZNÁLATÁBÓL, TÁROLÁSÁBÓL, TELEPÍTÉSÉBŐL, ILL. ÖSSZESZERELÉSÉBŐL ADÓDNAK, VAGY HA FENTIEKRE VONATKOZÓAN, A TERMÉKHEZ KAPCSOLÓDÓ ÍRÁSOS ÚTUTATÓBAN LEÍRTAK NEM LETTEK BETARTVA.
- AMENNYIBEN A PALRAM MASHOGY NEM RENDELKEZIK, ÚGY A TERMÉK KIZÁRÓLAG RENDELTETTESZÉRŰ OTTHONI, VAGY KERESKEDELMI FELHASZNÁLÁSRA KÉSZÜLT. A PALRAM NEM VÁLLAL SEMMILYEN FELELŐSSÉGET OLYAN VESZTESÉGEKÉRT VAGY KÁROKÉRT, MELYEK AZ OLYAN HELYTELEN, NEM RENDELTETTESZÉRŰ HASZNÁLATBÓL EREDNEK, MELY HASZNÁLATI CÉL NINCS AZ ÚTUTATÓBAN ÍRÁSBA FOGLALVA, ILL. A TERMÉKET A TÖRVÉNYEK VAGY ELŐÍRÁSOK ÉRTELMEBEN TILOS HASZNÁLNI AZON A TERÜLETEN, AHOVA TELEPÍTETTÉK.
- A TERMÉK ROGZITÉSE A TALAJHOZ ELENGEDHETET EN ANNAK STABILITASAHOZ ES MEREVSEGEHEZ. EZT A JOTALLAS ERVENYESITESE ERDEKEBEN IS EL KELL VEGEZNI.

Palram Applications (1995) Ltd (Numer firmy: 512106824) której zarejestrowane biuro znajduje się w Teradion Industrial Park, M.P Misgav 20174, Izrael ("Palram") gwarantuje, że e produkt pozbawiony jest wad materiałowych bądź usterek w wykonaniu na okres 5 lat liczonych od pierwotnej daty zakupu przedmiotu zgodnie z definicjami, warunkami i zastrzeżeniami zawartymi w niniejszej gwarancji.

1. Warunki

- Niniejsza gwarancja obowiązuje dany produkt wyłącznie jeśli jego montaż, czyszczenie, obsługa i konserwacja były wykonywane zgodnie z pisemnymi zaleceniami Palramu (Zalecane zastosowanie: Ogrodnictwo hobbyistyczne).
- Bez naruszenia powyższych warunków, szkody spowodowane użyciem siły, niepoprawną obsługą, nieodpowiednim zastosowaniem, niebąłym użyciem lub montażem, wypadkami, oddziaływaniem obcych przedmiotów, vandalizmem, zanieczyszczeniami, próbkami, malowaniem, łączeniem, klejeniem, uszczelnianiem niezgodnym z poręcznikami użytkownika lub szkody wynikające z czyszczenia niezgodnymi środkami czyszczącymi oraz pomniejszce niezgodności Produktu nie są objęte niniejszą gwarancją.
- Niniejsza gwarancja nie dotyczy szkód spowodowanych „siłami wyższymi”, wliczając w to między innymi opady gradu, burze, tornada, huragany, śnieżyce, powódzie, skutki pożaru.
- Niniejsza gwarancja jest nieważna jeśli części składowe i zastosowane elementy są niezgodne z pisemnymi zaleceniami Palramu.
- Niniejsza gwarancja dotyczy wyłącznie oryginalnego nabywcy produktu i nie obejmuje żadnego innego nabywcy bądź użytkownika produktu. (wliczając w to między innymi jakąkolwiek osobę, która nabyła produkt od pierwotnego nabywcy.)
- Każde inne wykorzystanie do jakichkolwiek innych celów odbywa się na wyłączną odpowiedzialność użytkownika. Palram zrzeka się i nie ponosi żadnej odpowiedzialności za jakiegokolwiek wykorzystanie niezalecane przez niniejszą gwarancję.

2. Reklamacje i zgłoszenia

- Każda reklamacja musi być zgłoszona pisemnie do Palramu w ciągu 30 dni od odkrycia wadliwego produktu z załączeniem oryginalnego paragonu oraz niniejszej gwarancji.
- Whioskodawca musi zezwolić Palramowi na dokonanie kontroli reklamowanego Produktu oraz samego miejsca montażu, w czasie gdy Produkt nadal znajduje się w swoim pierwotnym położeniu i nie został usunięty ani przeniesiony lub zmieniony w jakikolwiek sposób i/lub zwrócić Produkt Palramowi do kontroli.

3. Odszkodowanie

- 31 Jeśli reklamacja zostanie poprawnie zgłoszona i zatwierdzona przez Palram, nabywca, do wyboru przez Palram, może (a) zakupić zastępczy produkt lub jego części; lub (b) otrzymać zwrot kosztów za oryginalny Produkt lub jego części, zgodnie z poniższym schematem:

Okres po zakupie	Wymiana produktu lub jego części	Refundacja
Od daty zakupu do końca 1 roku	Bezpłatnie	100%
Koniec 1 roku do końca 2 roku	Nabywca zapłaci 20% oryginalnej ceny	80%
Koniec 2 roku do końca 3 roku	Nabywca zapłaci 40% oryginalnej ceny	60%
Koniec 3 roku do końca 4 roku	Nabywca zapłaci 60% oryginalnej ceny	40%
Koniec 4 roku do końca 5 roku	Nabywca zapłaci 80% oryginalnej ceny	20%

- W celu uniknięcia jakichkolwiek wątpliwości, kalkulacja postanowienia w związku z odszkodowaniem za wadliwe części, zgodnie z powyższym schematem, będzie oparta na oryginalnym wkładzie finansowym Produktu za jego wadliwe części. Palram zastrzega sobie prawo do zapewnienia zamienników jeśli Produkt lub jakakolwiek jego część jest niedostępna lub nieaktualna.
- Niniejsza gwarancja nie pokrywa żadnych kosztów usunięcia lub montażu Produktu, podatków lub transportu, bądź jakichkolwiek innych bezpośrednich lub pośrednich strat które mogły nastąpić po awarii Produktu.

4. Warunki ogólne i ograniczenia

- INNE NIŻ KONKRETNIE OKREŚLONE W NINIEJSZEJ GWARANCJI, WSZYSTKIE INNE GWARANCJE, WYRAŻONE CZY DOROZUMIANE, WŁĄCZAJĄC W TO WSZYSTKIE DOROZUMIANE GWARANCJE PRZYDATNOŚCI HANDLOWEJ BĄDŹ STOSOWNOŚCI DO OKREŚLONEGO CELU NIE SĄ WŁĄCZONE TAK DŁUGO JAK POZWALA NA TO PRAWO.
- Z WYJĄTKIEM PRZYPADKÓW KONKRETNIE OKREŚLONYCH W NINIEJSZEJ GWARANCJI PALRAM NIE NIE JEST ZOBOWIĄZANY ZA JAKIEKOLWIEK STRATY LUB SZKODY, JAKICH DOZNAŁ NABYWCA W SPOŚÓB BEZPOŚREDNI, POŚREDNI, LUB W WYNIKU UŻYTKU, BĄDŹ W JAKIKOLWIEK INNY SPOŚÓB POWIĄZANY Z PRODUKTEM.
- JĘŚLI PALRAM JEST ZABRONIONY PRZEZ JAKIEKOLWIEK OBOWIĄZUJĄCE PRAWO POMIAJĄC DOROZUMIANĄ GWARANCJĘ PRZYDATNOŚCI HANDLOWEJ BĄDŹ STOSOWNOŚCI DO OKREŚLONEGO CELU ZWIĄZANEGO Z PRODUKTEM, OKRES TRWANIA TAKICH GWARANCJI JEST JEDNOZNACZNIE OGRANICZONY DO CZASU TRWANIA TEJ GWARANCJI, BĄDŹ MAKSYMALNEGO CZASU WYMAGANEGO PRZEZ PRAWO.
- NABYWCA JEST WYŁĄCZNIE ODPOWIEDZIALNY ZA DOPILNOWANIE OBSŁUGI, PRZECHOWYWANIA, MONTAŻU, INSTALACJI, ORAZ CZY UŻYTKOWANIE PRODUKTU JEST BEZPIECZNE ORAZ WŁAŚCIWE W JAKIMKOLWIEK POŁOŻENIU DLA JAKIEGOKOLWIEK ZASTOSOWANIA I JAKICHKOLWIEK OKOLICZNOŚCI. PALRAM NIE JEST ODPOWIEDZIALNE ZA SZKODY LUB OBRAŻENIA NABYWCY BĄDŹ JAKIEKOLWIEK INNEJ OSOBY LUB WŁASNOŚCI WYNIKAJĄCE Z Z NIEWŁAŚCIWEJ OBSŁUGI, PRZECHOWYWANIA, MONTAŻU, INSTALACJI I ZASTOSOWANIA PRODUKTU.
- O ILE FIRMA PALRAM WYRAŹNIE NIE WSKAZAŁA INACZEJ, PRODUKT JEST PRZEZNACZONY WYŁĄCZNIE DO ZWYKŁEGO UŻYTKU DOMOWEGO I KOMERCYJNEGO. PALRAM NIE JEST ODPOWIEDZIALNY ZA JAKIEKOLWIEK STRATY LUB SZKODY, KOSZTY LUB WYDATKI WYNIKAJĄCE Z JAKIEKOLWIEK ZASTOSOWANIA PRODUKTU W JAKIMKOLWIEK CELU, KTÓRY NIE JEST ZALECANY PRZEZ PISEMNĄ INSTRUKCJĘ LUB KTÓRY NIE JEST DOZWOLONY PRZEZ OBOWIĄZUJĄCE PRAWO LUB INNY KODEKS WYNIKAJĄCY Z LOKALIZACJI W KTÓREJ NABYWCA BĘDZIE STOSOWAŁ PRODUKT.
- PRZYMOCOWANIE TEGO PRODUKTU DO ZIEMI JEST KLUCZOWE DLA ZAPEWNIENIA MU STABILNOKI I SZTYWNOKI. ABY ZACHOW.K WAŻNOK GWARANCJI, NALEŻY ZAKORICZYĆ TEN ETAP MONTAŻU.

Palram Applications (1995) Ltd (Společnost číslo: 512106824), jejíž registrační kancelář je na adrese Teradion Industrial Park, M.P Misgav 20174000, Izrael („Palram“), zaručuje, že Produkt nebude mít žádné vady materiálu nebo řemeslného zpracování po dobu 5 let od data původního nákupu. Toto podléhá definicím, podmínkám a ujednáním obsaženým v této záruce.

1. Podmínky

11 Tato záruka bude platit, pouze pokud se Produkt instaluje, čistí, ovládá a udržuje v souladu s písemnými doporučeními společnosti Palram (Doporučené použití: Volnočasové zahrádkáření).

12 Bez ohledu na výše uvedené tato záruka nekryje poškození způsobená silou, nesprávnou manipulací, nepříslušným používáním, nedbalým používáním, montáží nebo údržbou, nehodami, vlivem cizích objektů, vandalismem, znečišťujícími látkami, pozměněnými, malováním, spojením, slepením, utěsněním, které nejsou v souladu s uživatelskou příručkou, poškození následkem čištění nekompatibilními čistícími prostředky, ani menší odchylky Produktu.

13 Tato záruka nekryje poškození způsobená „vyšší mocí“, která mimo jiné zahrnují krupobití, bouři, tornádo, hurikán, sněhovou bouři, záplavy a účinky ohně.

14 Tato záruka je neplatná, pokud nejsou konstrukční části a komponenty používány v souladu s písemnými doporučeními společnosti Palram.

15 Tato záruka platí pouze pro původního kupujícího Produktu. Neprodukuje se na žádného jiného kupujícího nebo uživatele Produktu (včetně, ale ne pouze na jakoukoliv osobu, která získá Produkt od původního kupujícího).

16 Jakékoli jiné použití pro jiné účely je výhradní odpovědností uživatele.

Palram se zříká a nepřebírá žádnou odpovědnost za jakékoli použití, které tato záruka nedoporučuje.

2. Požadavky a oznámení

21 Každý záruční požadavek musí být společnosti Palram oznámen písemně do 30 dní od zjištění vadného Produktu a musí mít přiložený doklad o nákupu a tuto záruku.

22 Žadatel musí umožnit společnosti Palram kontrolu souvisejícího Produktu a vlastního místa instalace, dokud je Produkt stále ve své původní poloze a nebyl odstraněn ani žádným způsobem změněn, a/nebo vrácení Produktu společnosti Palram na testování.

23 Společnost Palram si vyhrazuje právo nezávisle prošetřit příčinu jakéhokoliv selhání.

3. Kompenzace

31 Pokud je požadavek podle této Záruky správně oznámen a schválen společností Palram, pak může kupující podle výběru společnosti Palram buď (a) koupit náhradní Produkt nebo část/části; nebo (b) obdržet vrácení peněz původní ceny Produktu nebo částí/částí, vše v souladu s následujícím rozvrhem:

Období po nákupu	Výměna produktu nebo částí/částí	Vrácení peněz
Od data nákupu do konce 1. roku	Zdarma	100%
Od konce 1. roku do konce 2. roku	kupující zaplatí 20 % procent původní ceny	80%
Od konce 2. roku do konce 3. roku	kupující zaplatí 40 % původní ceny	60%
Od konce 3. roku do konce 4. roku	kupující zaplatí 60 % původní ceny	40%
Od konce 4. roku do konce 5. roku	kupující zaplatí 80 % původní ceny	20%

32 Výpočet pro rozhodnutí ohledně kompenzace za vadnou část / vadné části bude kvůli zamezení jakýmkoliv pochybnostem v souladu s výše uvedeným rozvrhem založen na připsané vadné části k původní ceně Produktu. Společnost Palram si vyhrazuje právo na poskytnutí náhrad, pokud Produkt nebo jakákoliv část nejsou dostupné, nebo jsou zastaralé.

33 Tato záruka nekryje žádné náklady ani výdaje s odstraněním a instalací Produktu ani daně nebo náklady na dopravu nebo jinou přímou nebo nepřímou ztrátu / jiné přímé nebo nepřímé ztráty, které můžou nastat následkem selhání Produktu.

4. Všeobecné podmínky a omezení

41 KROMĚ TOHO, CO JE SPECIFICKY UVEDENO V TĚTO ZÁRUCE, JSOU VŠECHNY OSTATNÍ ZÁRUKY, AŤ UŽ VYJÁDŘENÉ NEBO NAZNAČENÉ VČETNĚ VŠECH NEPŘÍMO VYJÁDŘENÝCH ZÁRUK PRODEJNOSTI NEBO VHDNOSTI PRO URČITÝ ÚČEL VYLOUČENY V MAXIMÁLNÍM ROZSAHU POVOLENÉM ZÁKONEM.

42 KROMĚ PŘÍPADŮ, KTERÉ JSME SPECIFICKY UVEDLI V TĚTO ZÁRUCE, NEMŮŽE BÝT SPOLEČNOST PALRAM ZODPOVĚDNÁ ZA ŽÁDNÉ ZTRÁTY ANI POŠKOZENÍ, KTERÉ KUPUJÍCÍ UTRPÍ PŘÍMO, NEPŘÍMO NEBO NÁSLEDKEM POUŽÍVÁNÍ PRODUKTU NEBO JINÝM ZPŮSOBEM SOUVISEJÍCÍM S PRODUKTEM.

43 POKUD MÁ SPOLEČNOST PALRAM PODLE JAKÉHOKOLIV PŘÍSLUŠNÉHO ZÁKONA ZAKÁZANO VYLOUČIT NEPŘÍMO VYJÁDŘENÉ ZÁRUKY PRODEJNOSTI NEBO VHDNOSTI PRO SPECIFICKÝ ÚČEL V SOUVISLOSTI S PRODUKTEM, PAK JE DOBA TRVÁNÍ VŠECH TĚCHTO NEPŘÍMO VYJÁDŘENÝCH ZÁRUK VÝSLOVNĚ OMEZENA NA DOBU TRVÁNÍ TĚTO ZÁRUKY NEBO MAXIMÁLNÍ DOBU VYŽADOVANOU PŘÍSLUŠNÝM ZÁKONEM, POKUD JE TATO DOBA DELŠÍ.

44 KUPUJÍCÍ JE VÝHRADNĚ ZODPOVĚDNÝ ZA ROZHODNUTÍ, ZDA JE MANIPULACE, USKLADNĚNÍ, MONTÁŽ, INSTALACE NEBO POUŽÍVÁNÍ PRODUKTU BEZPEČNĚ A VHODNĚ V JAKÉMKOLIV UMÍSTĚNÍ PRO JAKÉKOLIV DANÉ POUŽITÍ NEBO DANÉ OKOLNOSTI. SPOLEČNOST PALRAM NENÍ ZODPOVĚDNÁ ZA ŽÁDNÉ ZTRÁTY ANI ZRANĚNÍ KUPUJÍCÍHO NEBO JINÉ OSOBY ČI MAJETKU NÁSLEDKEM NESPRÁVNĚ MANIPULACE, USKLADNĚNÍ, INSTALACE, MONTÁŽE NEBO POUŽÍVÁNÍ PRODUKTU, NEBO NEDODRŽENÍM PÍSEMNÝCH POKYNŮ OHLEDNĚ MANIPULACE, USKLADNĚNÍ, INSTALACE, MONTÁŽE A POUŽÍVÁNÍ PRODUKTU.

45 POKUD SPOLEČNOST PALRAM VÝSLOVNĚ NEUVEDE JINAK, JE VÝROBEK URČEN POUZE PRO BĚŽNÉ DOMÁCÍ A KOMERČNÍ ÚČELY SPOLEČNOST PALRAM NENÍ ZODPOVĚDNÁ ZA ŽÁDNÉ ZTRÁTY, POŠKOZENÍ ANI NÁKLADY NÁSLEDKEM POUŽÍVÁNÍ PRODUKTU PRO JAKÝKOLIV ÚČEL, KTERÝ NENÍ DOPORUČENÝ PÍSEMNÝMI POKYNY, NEBO KTERÝ NENÍ POVOLNÝ ŽÁDNOU PŘÍSLUŠNOU LEGISLATIVOU ANI JINOU SBÍRKOU ZÁKONŮ PLATNÝMI V UMÍSTĚNÍ, KDE BUDE KUPUJÍCÍ PRODUKT POUŽÍVAT.

46 UKOTVENÍ TOHOTO PRODUKTU K ZEMI JE NEZBYTNÉ PRO JEHO STABILITU A PEVNOST. ABY BYLA VASE ZÁRUKA PLATNA, JE NUTNÉ DOKONTIT TENTO KROK.

Podjetje Palram Applications (1995) Ltd (matična številka: 512106824), katerega sedež je na naslovu Teradion Industrial Park, M.P Misgav 20174, Izrael («podjetje Palram»), jamči, da bo izdelek brez napak v materialu ali pri proizvodnji še 5 let od originalnega datuma nakupa skladno z opredelitvami pojmov in pogoji, ki jih vsebuje ta garancija.

1. Pogoji

1.1 Ta garancija velja le, če je izdelek nameščen, očiščen, se uporablja in vzdržuje skladno s pisnimi priporočili podjetja Palram (Priporočena uporaba: hobi vrtnarjenje).

1.2 Brez odstopanja od zgoraj navedenega v tej garanciji ni zajeta škoda, ki je nastala zaradi uporabe sile, nepravilnega ravnanja, neprimerne ali malomarne uporabe ali sestavljanja ali vzdrževanja, nesreče, udarca z drugimi predmeti, vandalizma, onesnaževanja, sprememb, barvanja, povezovanja, lepljenja in tesnjenja, ki ni v skladu z navodili za uporabo, ali škoda, ki nastane zaradi čiščenja z nezdružljivimi detergenty, ali manjša odstopanja izdelka.

1.3 Ta garancija ne velja za škodo, ki je posledica «višje sile», ki med drugim vključuje točo, nevihto, tornado, orkan, snežni metež, poplavo in posledice požara.

1.4 Ta garancija postane neveljavna, če uporabljeni strukturni in sestavni deli niso združljivi s pisnimi priporočili podjetja Palram.

1.5 Ta garancija velja samo za originalnega kupca izdelka. Garancija se ne prenese na drugega kupca ali uporabnika tega izdelka (med drugim vključno s katero koli osebo, ki izdelek pridobi od originalnega kupca izdelka).

1.6 Za kakršno koli drugo uporabo za kakršen koli drug namen je izključno odgovoren uporabnik.

Palram zavrača in ne prevzema nobene odgovornosti za kakršno koli uporabo, ki je ta garancija ne priporoča.

2. Zahtevki in obvestila

2.1 O vsakem garancijskem zahtevku je treba pisno seznaniti podjetje Palram v 30 dneh po odkritju pomanjkljivosti izdelka ter temu obvestilu priložiti originalni račun in to garancijo.

2.2 Vlagatelj zahtevka mora podjetju Palram dovoliti, da pregleda zadevni izdelek in mesto, kjer je bil izdelek uporabljen, medtem ko je izdelek še vedno v svojem prvotnem položaju in ni bil odstranjen, premaknjen ali spremenjen, in/ali mora vrniti izdelek podjetju Palram za testiranje.

2.3 Palram si pridržuje pravico, da neodvisno razižče vzrok za kakršno koli okvaro.

3. Odškodnina

3.1 Če je podjetje Palram ustrezno obveščeno o garancijskem zahtevku in ga odobri, podjetje Palram ponudi kupcu možnost, da (a) kupi nadomestni izdelek ali del/-e; ali (b) prejme povračilo nakupne cene originalnega izdelka ali dela/-ov, vse v skladu z naslednjim časovnim razporedom:

Obdobje po nakupu	Nadomestni izdelek ali del/-i	Povračilo
Od datuma nakupa do konca 1. leta	Brezplačno	100%
Od konca 1. leta do konca 2. leta	Kupec bo plačal 20 % originalne nakupne cene	80%
Od konca 2. leta do konca 3. leta	Kupec bo plačal 40 % originalne nakupne cene	60%
Od konca 3. leta do konca 4. leta	Kupec bo plačal 60 % originalne nakupne cene	40%
Od konca 4. leta do konca 5. leta	Kupec bo plačal 80 % originalne nakupne cene	20%

3.2 Da bi se izognili dvomom, se izračun za določitev odškodnine za del/-e z napako po zgoraj navedenem časovnem razporedu izračuna na podlagi prispevka dela z napako k originalni ceni izdelka. Podjetje Palram si pridržuje pravico, da zagotovi nadomestilo, če izdelek ali kateri koli njegov del ni na voljo ali je zastarel.

3.3 Ta garancija ne zajema nobenih izdatkov in stroškov odstranitve in namestitve zadevnega izdelka ali davkov, stroškov dostave ali kakršnih koli drugih neposrednih ali posrednih izgub, ki lahko nastanejo zaradi okvare izdelka.

4. Splošni pogoji in omejitve

4.1 RAZEN ČE JE BILO V TEJ GARANCIJI POSEBEJ NAVEDENO, SO VSE DRUGE GARANCIJE, BODISI IZREČNE ALI IMPLICITNE, VKLJUČNO Z VSEMI IMPLICITNIMI GARANCIJAMI O PRIMERNOSTI IZDELKA ZA PRODAJO ALI ZA DOLOČEN NAMEN, IZVETE V OBSEGU, KI GA DOVOLJUJE ZAKONODAJA.

4.2 RAZEN KADAR JE TO IZREČNO NAVEDENO V TEJ GARANCIJI, PODJETJE PALRAM NI ODGOVORNO ZA KAKRŠNO KOLI IZGUBO ALI ŠKODO, KI JO KUPEC UTRPI NEPOSREDNO, POSREDNO ALI KOT POSLEDICO UPORABE ALI V KATERI KOLI DRUGI POVEZAVI S TEM IZDELKOM.

4.3 ČE JE PODJETJU PALRAM V SKLADU S KATERIMI KOLI VELJAVNIMI ZAKONI PREPOVEDANO IZKLUČITI IMPLICITNE GARANCIJE O PRIMERNOSTI IZDELKA ZA PRODAJO ALI ZA DOLOČEN NAMEN V POVEZAVI S TEM IZDELKOM, JE TRAJANJE VSEH TAKŠNIH IMPLICITNIH GARANCIJ IZREČNO OMEJENO NA TRAJANJE TE GARANCIJE ALI, ČE JE DALJŠE, NA NAJDALJŠE OBDOBJE, KI GA ZAHTEVA VELJAVNA ZAKONODAJA.

4.4 KUPEC JE IZKLUČNO ODGOVOREN ZA UGOTAVLJANJE, ALI SO ROKOVANJE Z IZDELKOM, SHRANJEVANJE, MONTAŽA, NAMESTITVE ALI UPORABA IZDELKA VARNI IN PRIMERNI NA KATEREM KOLI MESTU, ZA KATERO KOLI DANO UPORABO ALI V KATERI KOLI DANI OKOLIŠČINI. PODJETJE PALRAM NI ODGOVORNO ZA NOBENO ŠKODO ALI POŠKODBO KUPCA, KATERE KOLI DRUGE OSEBE ALI KATERE KOLI LASTNINE, KI IZHAJA IZ NEUSTREZNEGA RAVNANJA, SHRANJEVANJA, NAMESTITVE, MONTAŽE ALI UPORABE IZDELKA ALI NEUPOŠTEVANJA PISNIH NAVODIL ZA ROKOVANJE, SHRANJEVANJE, NAMESTITVE, MONTAŽO IN UPORABO IZDELKA.

4.5 IZDELEK JE NAMENJEN SAMO ZA OBIČAJNO STANOVANJSKO IN KOMERCIALNO RABO, RAZEN ČE PODJETJE PALRAM IZREČNO NAVEDA DRUGAČE. PODJETJE PALRAM NI ODGOVORNO ZA NOBENO IZGUBO, ŠKODO, IZDATKE ALI STROŠKE, KI IZHAJAJO IZ KAKRŠNE KOLI UPORABE IZDELKA ZA KAKRŠEN KOLI NAMEN, KI NI PRIPOROČEN V PISNIH NAVODILIH ALI KI NI DOVOLJEN S KATERO KOLI VELJAVNO ZAKONODAJO ALI DRUGIMI VELJAVNIMI PRAVILNIKI V KRAJU, KJER BO KUPEC UPORABIL IZDELEK.

4.6 PROSIM UPOŠTEVAJTE: PRITRJEVANJE OZ. SIDRANJE IZDELKOV JE NUJNO ZA NJHOVO STABILNOST IN RIGIDNOST. GARANCIJA JE VELJAVNA SAMO V PRIMERU, ČE SE VSE IZDELKE PRITRDI, SIDRA NA TLA, GLEDE NA PRILožENA NAVODILA.

Certificat de garanție PALRAM - CANOPIA cu o durată determinată de 5 ani

Detalii produs: Canopia Sere

Palram Applications (1995) Ltd (Număr de înregistrare: 512106824), cu sediul social în Teradion Industrial Park, M.P Misgav 20174000, Israel („Palram”) garantează că Produsul nu prezintă defecte de material sau de fabricație pentru o perioadă de 10 ani de la data cumpărării, cu respectarea definițiilor și a termenilor și condițiilor din prezentul certificat de garanție.

1. Condiții

- Prezentul certificat de garanție este valabil doar dacă Produsul a fost instalat, curățat, manipulat și întreținut în conformitate cu recomandările scrise ale Palram.
- Fără a deroga de la cele de mai sus, daunele cauzate de folosirea forței în exces, de manipularea incorectă, utilizarea necorespunzătoare, respectiv de utilizarea, montarea sau întreținerea neglijente, accidentele, impactul cu obiecte străine, vandalismul, materiile poluante, alterarea, vopsirea, conectarea, lipirea, etanșarea care nu au fost efectuate în conformitate cu manualul de utilizare, respectiv daunele rezultate din curățarea cu detergenți nepotrivți și deviațiile minore ale Produsului nu sunt acoperite de prezentul certificat de garanție.
- Acest certificat de garanție nu acoperă daunele rezultate din situații de forță majoră, care includ, dar nu se limitează la, grindină, furtună, tornadă, uragan, viscol, inundație, foc.
- Acest certificat de garanție este nul dacă piesele și componentele structurale utilizate nu sunt compatibile cu recomandările scrise ale Palram.
- Acest certificat de garanție este acordat exclusiv cumpărătorului inițial al Produsului. Nu se extinde asupra niciunui alt cumpărător sau utilizator subsecvent al Produsului (inclusiv, dar fără a se limita la, orice persoană care preia Produsul de la cumpărătorul inițial).

2. Solicitări și notificări

- Orice solicitare efectuată în baza prezentului certificat de garanție trebuie notificată în scris companiei Palram în termen de 30 de zile de la descoperirea Produsului defect și trebuie să includă și bonul fiscal original și prezentul certificat de garanție.
- Cel care face solicitarea trebuie să permită companiei Palram să verifice Produsul în cauză și locul montării sale cât timp Produsul se află încă în poziția sa originală și înainte de a fi demontat sau modificat în vreun fel și/sau să permită returnarea Produsului la Palram pentru efectuarea de teste.
- Palram își rezervă dreptul de a cerceta în mod independent cauza oricărei defecțiuni.

3. Despăgubiri

- Dacă o solicitare efectuată în baza prezentului certificat de garanție este notificată în mod corect și aprobată de Palram, cumpărătorul, la alegerea Palram, poate fie (a) cumpăra un Produs sau o piesă/piese de înlocuire; fie (b) primi înapoi prețul original al Produsului sau al piesei/pieselor, ambele variante cu respectarea următorului calendar:

Perioadă după data cumpărării	Produs sau piesă/piese de înlocuire	Rambursare
De la data cumpărării până la finalul 1 an	Gratuit	100%
De la finalul 1 an până la finalul celui de-al 2 an	cumpărătorul va plăti 10% din prețul original plătit	80%
De la finalul 2 an până la finalul celui de-al 3 an	cumpărătorul va plăti 20% din prețul original plătit	60%
De la finalul 3 an până la finalul celui de-al 4 an	cumpărătorul va plăti 30% din prețul original plătit	40%
De la finalul 4 an până la finalul celui de-al 5 an	cumpărătorul va plăti 40% din prețul original plătit	20%

- Pentru a înlătura orice fel de dubiu, calculul pentru a stabili cantumul despăgubirilor pentru piesa/piese defectă(e), în conformitate cu calendarul de mai sus, va porni de la procentul valoric al piesei defecte în prețul original al Produsului. Palram își rezervă dreptul de a furniza înlocuitori dacă Produsul sau orice piesă a acestuia nu mai sunt disponibile sau nu se mai fabrică.
- Acest certificat de garanție nu acoperă costurile sau cheltuielile generate de demontarea sau montarea Produsului, respectiv taxele sau costurile generate de livrare sau de orice alte pierderi directe sau indirecte care ar putea rezulta ca urmare a defectării Produsului.

4. Condiții și limitări de ordin general

- CU EXCEPȚIA SITUAȚILOR MENȚIONATE EXPRES ÎN PREZENTUL CERTIFICAT DE GARANȚIE, TOATE CELELALTE GARANȚII, EXPRES PREVĂZUTE SAU IMPLICITE, INCLUSIV TOATE GARANȚIILE COMERCIALE IMPLICITE SAU FAPTUL DE A FI POTRIVIT PENTRU UN ANUMIT SCOP SUNT EXCLUSE ÎN MĂSURA MAXIM PERMISĂ DE LEGE.
- CU EXCEPȚIA SITUAȚILOR MENȚIONATE EXPRES ÎN PREZENTUL CERTIFICAT DE GARANȚIE, PALRAM NU VA FI RESPONSABILĂ PENTRU NICIO PIERDERE SAU DAUNĂ SUFERITĂ DE CUMPĂRĂTOR ÎN MOD DIRECT, INDIRECT SAU CA O CONSECINȚĂ A UTILIZĂRII SAU ÎN LEGĂTURĂ, ÎN ORICE ALT MOD, CU PRODUSUL.
- ÎN CAZUL ÎN CARE PALRAM NU ARE DREPTUL, ÎN CONFORMITATE CU ORICE REGLEMENTARE APLICABILĂ, SĂ EXCLUDĂ GARANȚIILE COMERCIALE IMPLICITE SAU FAPTUL DE A FI POTRIVIT PENTRU UN ANUMIT SCOP CU PRIVIRE LA PRODUS, DURATA VALABILITĂȚII ORICĂROR ASTFEL DE GARANȚII IMPLICITE ESTE LIMITATĂ ÎN MOD EXPRES LA DURATA PREZENTULUI CERTIFICAT DE GARANȚIE SAU, ÎN CAZUL ÎN CARE ESTE MAI MARE, LA DURATA MAXIMĂ IMPUSĂ DE REGLEMENTĂRILE APLICABILE.
- CUMPĂRĂTORUL ESTE SINGURUL RESPONSABIL PENTRU A STABILI DACĂ MANIPULAREA, DEPOZITAREA, MONTAJUL, INSTALAREA SAU UTILIZAREA PRODUSULUI SUNT SIGURE ȘI POTRIVITE PENTRU ORICE LOC, PENTRU ORICE APLICAȚIE ȘI ÎN ORICE SITUAȚIE. PALRAM NU ESTE RESPONSABILĂ PENTRU NICIO DAUNĂ SAU RĂNIRE SUFERITĂ DE CUMPĂRĂTOR, DE ORICE ALTĂ PERSOANĂ SAU BUN CE REZULTĂ DIN MANIPULAREA, DEPOZITAREA, MONTAJUL, INSTALAREA SAU UTILIZAREA NECORESPUNZĂTOARE A PRODUSULUI SAU DIN NERESPECTAREA INSTRUCȚIUNILOR SCRISE CU PRIVIRE LA MANIPULAREA, DEPOZITAREA, MONTAJUL, INSTALAREA SAU UTILIZAREA PRODUSULUI.
- CU EXCEPȚIA UNEI INDICAȚII CONTRARE EXPRESE DIN PARTEA PALRAM, PRODUSUL ESTE DESTINAT NUMAI UTILIZĂRII NORMALE CASNICE ȘI COMERCIALE. PALRAM NU ESTE RESPONSABILĂ PENTRU NICIO PIERDERE, DAUNĂ, COSTURI SAU CHELTUIELI CE REZULTĂ DIN UTILIZAREA PRODUSULUI ÎN ORICE ALT SCOP, ALTUL DECÂT CEL RECOMANDAT ÎN INSTRUCȚIUNILE SCRISE SAU CARE NU ESTE PERMIS DE ORICE REGLEMENTĂRI APLICABILE SAU ALTE CODURI ÎN VIGOARE ÎN LOCUL ÎN CARE CUMPĂRĂTORUL VA FOLOSI PRODUSUL.
- ANCORAREA ACESTUI PRODUS DE SOT ESTE ESENȚIALĂ PENTRU STABILITATEA ȘI RIGIDITATEA LUI. ESTE NECESAR SA DUCETI LA BUN SFARSIT ACEST PAS PENTRU CA GARANTIA DVS. SA FIE VALABILĂ.